

---

**PREFACE**


---

TO: General Medical Practitioners, Pharmacy Contractors, Appliance Contractors

## PREFACE

### AMENDMENTS TO THE DRUG TARIFF

#### January 2006

1. Pursuant to Regulation 56(1) of the National Health Service (Pharmaceutical Services) Regulations 2005, the Secretary of State for Health as respects England and pursuant to The National Health Service (Pharmaceutical Services)(Amendment)(Wales) Regulations 2005 has amended the Drug Tariff with effect from 1 January 2006.
2. Please note that you are now being supplied each month with the Drug Tariff which incorporates all amendments to date. All entries showing a change in price are not specifically included in this preface but are indicated in the Drug Tariff by ▽ for price reduction and △ for price increase; changes to the text relating to code, product description, or the inclusion of a new product are indicated by a vertical line in the margin.
3. While every effort is made to ensure that each monthly publication of the Drug Tariff includes all amendments made by the Secretary of State and the National Assembly for Wales to the price applicable to the relevant period, the need to observe printing deadlines sometimes defeats those efforts. Any omitted amendments will be effective from the date on which they came into force, even if publication of the details is unavoidably delayed.

#### 4. ADVANCE NOTICE

##### 4.1 ADDITIONS TO FEBRUARY 2006 DRUG TARIFF

###### 4.1.1 ADDITIONS TO PART VIII EFFECTIVE FROM 1 FEBRUARY 2006

###### ■ Special Container

###### ◆ Manufacturers Calendar Pack

Antazoline 0.5% / Xylometazoline 0.05% eye drops	■ 10ml	Category C <i>Otrivine-Antistin</i>
Bendroflumethiazide 2.5mg / Potassium chloride 630mg (potassium 8.4mmol) modified-release tablets	100	Category C <i>Neo-Naclex-K</i>
Buprenorphine 35micrograms / hour patches	5	Category C <i>Transtec</i>
Buprenorphine 52.5micrograms / hour patches	5	Category C <i>Transtec</i>
Buprenorphine 70micrograms / hour patches	5	Category C <i>Transtec</i>
Calcium carbonate 1.5g chewable tablets	100	Category C <i>Adcal</i>
Calcium carbonate 1.25g / Colecalciferol 10microgram chewable tablets sugar free	60	Category C <i>Calcichew D3 Forte</i>
Calcium carbonate 1.25g / Colecalciferol 5microgram chewable tablets sugar free	100	Category C <i>Calcichew D3 Forte</i>
Calcium carbonate 1.5g / Colecalciferol 400unit chewable tablets	100	Category C <i>Adcal-D3</i>
Clioquinol 3% / Hydrocortisone 1% cream	■ 30g	Category C <i>Vioform-Hydrocortisone</i>
Diflucortolone 0.1% oily cream	■ 30g	Category C <i>Nerisone Oily</i>
Duloxetine 30mg gastro-resistant capsules	28	Category C <i>Cymbalta</i>
Duloxetine 60mg gastro-resistant capsules	28	Category C <i>Cymbalta</i>
Eflornithine 11.5% cream	■ 30g	Category C <i>Vaniqa</i>
Etodolac 300mg capsules	60	Category C <i>Eccoxolac</i>
Fluorouracil 5% cream	■ 20g	Category C <i>Efudix</i>
Formoterol 6micrograms / actuation dry powder inhaler	■ 60 dose	Category C <i>Oxis Turbohaler 6</i>
Formoterol 12micrograms / actuation dry powder inhaler	■ 60 dose	Category C <i>Oxis Turbohaler 12</i>

---

**PREFACE**


---

Galantamine 4mg tablets	◆	56	Category C <i>Reminyl</i>
Galantamine 8mg tablets	◆	56	Category C <i>Reminyl</i>
Galantamine 12mg tablets	◆	56	Category C <i>Reminyl</i>
Glyceryl trinitrate 2% ointment	■	60g	Category C <i>Percutol</i>
Hexetidine 0.1% mouthwash sugar free		100ml	Category C <i>Oraldene</i>
		200ml	Category C <i>Oraldene</i>
		200ml	Category C <i>Ucerax</i>
Hydroxyzine 10mg / 5ml oral solution			Category C <i>CoAprovel</i>
Irbesartan 150mg / Hydrochlorothiazide 12.5mg tablets	◆	28	Category C <i>CoAprovel</i>
Irbesartan 300mg / Hydrochlorothiazide 12.5mg tablets	◆	28	Category C <i>CoAprovel</i>
Isotretinoin 0.05% gel	■	30g	Category C <i>Isotrex</i>
Ispaghula husk 3.5g / Mebeverine 135mg effervescent granules sachets sugar free		10	Category C <i>Fybogel</i>
Sodium fusidate 2% / Hydrocortisone acetate 1% ointment	■	30g	<i>Mebeverine</i> Category C <i>Fucidin-H</i>
	■	60g	Category C <i>Fucidin-H</i>
Tramazoline 120micrograms / actuation /	■	110	Category C <i>Dexa-RhinaSpray</i>
Dexamethasone 20micrograms / actuation nasal spray		dose	<i>Duo</i>
Urea 10% / Hydrocortisone 1% cream	■	30g	Category C <i>Alphaderm</i>
	■	100g	Category C <i>Alphaderm</i>

**4.2 DELETIONS FROM FEBRUARY 2006 DRUG TARIFF****4.2.1 DELETIONS FROM PART VIII EFFECTIVE FROM 1 FEBRUARY 2006**

Cimetidine 200mg / 5ml oral suspension sugar free      600ml      Category C *Dyspamet*

**4.3 OTHER CHANGES TO FEBRUARY 2006 DRUG TARIFF****4.3.1 OTHER CHANGES FROM PART VIII EFFECTIVE FROM 1 FEBRUARY 2006****◆ Manufacturers Calendar Pack**

Co-codamol 30/500 capsules		100	Category C <i>Tylox</i> will be:
		100	Category A
Sertraline 50mg tablets	◆	28	Category C will be:
		28	Category A
Sertraline 100mg tablets	◆	28	Category C will be:
		28	Category A

**5. PART VIC - ADVANCED SERVICES (PHARMACY CONTRACTORS)**

Contractors should note **amendments** made in the above part and also within the **Directions** (England).

**6. PART IXA - APPLIANCES**

Contractors should note **Aquacel** and **Aquacel Ag** can now be found under **Protease Modulating Matrix**.

**7. PART IXA - APPLIANCES**

Contractors should note that **Needles for Pre-filled and Reusable Pen Injectors** are now listed by their **brand name** under **Hypodermic Equipment**.

**8. PART XII - ESSENTIAL SMALL PHARMACIES SCHEME (ESPS)**

Contractors should note **amendments** within the opening paragraph of the above section.

---

---

**PREFACE**


---

**9. PART XVIIIB(II) - NURSE PRESCRIBING**

Please note an **additional** note added to **Nurse Prescribers Extended Formulary** regarding **Controlled Drugs**.

**10. CHANGES TO JANUARY 2006 DRUG TARIFF****10.1 ADDITIONS TO JANUARY 2006 DRUG TARIFF****10.1.1 PART VIII - BASIC PRICES OF DRUGS**

■ **Special Container**

<b>PAGE 55 -</b> Aciclovir 800mg tablets	35	953	C	<i>Wockhardt</i>
<b>PAGE 74 -</b> Etodolac 600mg modified-release tablets	30	1550	C	<i>Lodine SR</i>
<b>PAGE 78 -</b> Gliclazide 30mg modified-release tablets	28	440	C	<i>Diamicon</i>
	56	880	C	<i>Diamicon</i>
<b>PAGE 80 -</b> Indapamide 1.5mg modified-release tablets	30	450	C	<i>Natrilix SR</i>
<b>PAGE 82 -</b> Ketorolac 0.5% eye drops	■ 5 ml	500	C	<i>Acular</i>
<b>PAGE 87 -</b> Methylphenidate 18mg modified-release tablets	30	2700	C	<i>Concerta XL</i>
Methylphenidate 36mg modified-release tablets	30	3675	C	<i>Concerta XL</i>
<b>PAGE 97 -</b> Propiverine 15mg tablets	56	2445	C	<i>Detrunorm</i>
<b>PAGE 98 -</b> Repaglinide 1mg tablets	30	392	C	<i>NovoNorm</i>
	90	1176	C	<i>NovoNorm</i>
Repaglinide 2mg tablets	90	1176	C	<i>NovoNorm</i>
Repaglinide 500microgram tablets	30	392	C	<i>NovoNorm</i>
	90	1176	C	<i>NovoNorm</i>
<b>PAGE 100 -</b> Senna 7.5mg/5ml oral solution sugar free	500 ml	269	C	<i>Senokot Pharmacy</i>
<b>PAGE 101 -</b> Sodium fluoride 1.1mg chewable tablets	200	191	C	<i>Fluor-A-Day</i>
Sodium fluoride 2.2mg chewable tablets	200	191	C	<i>Fluor-A-Day</i>

---

**PREFACE**


---

**10.1.2 PART IXA - APPLIANCES****PAGE 142 - DRESSINGS**

Vapour-permeable Adhesive Film Dressing			
OpSite Flexifix (non sterile)	5cm x 1m		345
	10cm x 1m		582

**PAGE 147**

Wound Management Dressings			
Hydrocolloid Dressing - Semi-permeable - Sterile -Without Adhesive Border			
ActivHeal      Rectangular	5cm x 7.5cm		75

**PAGE 155**

Wound Management Dressings			
Polyurethane Foam Film Dressing - Sterile - Without Adhesive Border Moderate to heavily exuding wounds			
Biatain Soft Hold Dressing      Square	10cm x 10cm		230
	15cm x 15cm		382
	Rectangular      10cm x 20cm		349

**PAGE 156**

Wound Management Dressings			
Protease Modulating Matrix - Sterile			
Promogran Prisma	28cm <sup>2</sup> (matrix is hexagonal in shape)		595
	123cm <sup>2</sup> (matrix is hexagonal in shape)		1695

Silicone Gel Sheet

Silgel			
Shaped	5.5cm Diameter		400

**PAGE 166 - HYPODERMIC EQUIPMENT**

Needle-Free Insulin Delivery Systems			
SQ-Pen Starter Pack			
(System includes 1 needle-free insulin injector, 1 practice nozzle, 1 sterile nozzle, 1 sterile 3ml vial adaptor, 1 sterile 10ml vial adaptor)			
	SQ 001		14500
SQ-Pen Vial Adaptor Pack			
(Contains 6 sterile vial adaptors)			
3ml vial adaptor	SQ 003		751
10ml vial adaptor	SQ 005		751
SQ-Pen 3-month 3ml Consumable Pack			
(Pack contains 15 x 3ml vial adaptors and 7 nozzles)			
	SQ 004		3023
SQ-Pen 3-month 10ml Consumable Pack			
(Pack contains 5 x 10ml vial adaptors and 7 nozzles)			
	SQ 006		1773
SQ-Pen Nozzle Pack (Contains 6 sterile nozzle assemblies)			
	SQ 002		984

**PAGE 170 - PROTECTIVES**

Limb	LIMBO Waterproof Protector - Adult 1/2 leg		
	MP80	Normal build	1020
	MP80S	Normal build, short leg	1020
	MP180	Large build	1020
	MP180S	Large build, short leg	1020

---

**PREFACE**


---

**10.1.3 PART IXB - INCONTINENCE APPLIANCES****PAGE 203 - NIGHT DRAINAGE BAGS**

Manfred Sauer GmbH	Smartflow 2 litre drainable night bag, swing tap, 120cm inlet tube and non return valve	NB2	10	1559
--------------------	---	-----	----	------

**10.1.4 PART IXC - STOMA APPLIANCES****PAGE 277 - DISCHARGE SOLIDIFYING AGENTS**

Oakmed Ltd	Gel-X Tablets		140	1425
------------	---------------	--	-----	------

**10.1.5 PART IXR - CHEMICAL REAGENTS****PAGE 382 - DETECTION STRIPS, BLOOD FOR DETERMINATION OF INTERNATIONAL NORMALISED RATIO (INR)**

4.2	CoaguChek XS PT Test	04625358	24	6334
-----	----------------------	----------	----	------

**10.1.6 PART XV - BORDERLINE SUBSTANCES****PAGE 423 - LIST A**

Gluten-Free Products  
Juvela gluten-free tagliatelle

**10.2 DELETIONS FROM JANUARY 2006 DRUG TARIFF****10.2.1 PART VIII - BASIC PRICES OF DRUGS**

■ Special Container

**PAGE 103 -**

Terbutaline 250micrograms/actuation inhaler	■	400 dose	584	C	<i>Bricanyl</i>
--	---	----------	-----	---	-----------------

**10.2.2 PART IXA - APPLIANCES****PAGE 173 - STOCKINETTE**

Elastic Net Surgical Tubular Stockinette Specification 26 Type A (Netelast) Arm/leg		1.8cm (Size C) x 40cm	38
--	--	-----------------------	----

**10.2.3 PART IXC - STOMA APPLIANCES****PAGE 232 - BAG CLOSURES**

Hollister Ltd	Premium Bag Clamp	7770	1	122
			20	2076

**PAGE 237 - BELTS**

Hollister Ltd	Adjustable Ostomy Belt Medium	7100	1	769
	Large	7099	10	6401
			1	769
			10	6401
Jade-Euro-Med Ltd	St Mark's Coustil Ostomy Belt	KM 32	1	4286

---

---

**PREFACE**


---

**PAGE 322 - PRESSURE PLATES/SHIELDS**

Coloplast Ltd	Assura			
	Convex Inserts (for use with Assura 2			
	Piece Base Plates)			
	40mm (stoma size 10-23mm)	4043	5	148
	40mm (stoma size 23-26mm)	4044	5	148
	40mm (stoma size 26-30mm)	4045	5	148
	50mm (stoma size 30-33mm)	4052	5	148
	50mm (stoma size 33-36mm)	4053	5	148
	50mm (stoma size 36-40mm)	4054	5	148
	60mm (stoma size 40-43mm)	4062	5	148
	60mm (stoma size 43-46mm)	4063	5	148

**PAGE 335 - TWO PIECE OSTOMY SYSTEMS**

Coloplast Ltd				
Assura Base Plates	40mm for 10-35mm stoma	2894	5	1629
with 10mm starter hole	50mm for 30-45mm stoma	2895	5	1629
	60mm for 40-55mm stoma	2896	5	1629
Assura Seal Integral	40mm flange 15mm pre-cut	12701	5	1549
Convexity Baseplates	40mm flange 18mm pre-cut	12702	5	1549
	40mm flange 21mm pre-cut	12703	5	1549
	50mm flange starter hole 15-33mm	12716	5	1549
	50mm flange 25mm pre-cut	12704	5	1549
	50mm flange 28mm pre-cut	12705	5	1549
	50mm flange 31mm pre-cut	12706	5	1549
	60mm flange starter hole 15-43mm	12719	5	1549
	60mm flange 35mm pre-cut	12707	5	1549
	60mm flange 38mm pre-cut	12708	5	1549
	60mm flange 41mm pre-cut	12709	5	1549

**10.2.4 PART IXR - CHEMICAL REAGENTS****PAGE 382 - DETECTION STRIPS, BLOOD FOR GLUCOSE**

Colorimetric Strips - to be read only with the appropriate meter

2.4.4	Glucotide		50	1562
-------	-----------	--	----	------

**10.2.5 PART XV - BORDERLINE SUBSTANCES****PAGE 415 - LIST A**

Bercoeli Products  
See: Proceli Products.

**10.3 OTHER CHANGES TO JANUARY 2006 DRUG TARIFF****10.3.1 PART VIII - BASIC PRICES OF DRUGS**

- Special Container
- ◆ Manufacturers Calendar Pack

<b>PAGE 58 -</b>				
Aspirin 75mg gastro-resistant tablets	◆	56	167	M
<b>Now Reads</b>				
Aspirin 75mg gastro-resistant tablets		56	174	M

---

**PREFACE**


---

<b>PAGE 58 -</b>					
Azathioprine 50mg tablets	◆	56		1034	M
<b>Now Reads</b>					
Azathioprine 50mg tablets		56		1072	M
<b>PAGE 70 -</b>					
Desmopressin 10micrograms/ actuation nasal spray	■	60	dose	2604	C
<b>Now Reads</b>					
Desmopressin 10micrograms/ actuation nasal spray	■	60	dose	2516	A
<b>PAGE 75 -</b>					
Famotidine 20mg tablets		28		624	M
<b>Now Reads</b>					
Famotidine 20mg tablets		28		662	M
Famotidine 40mg tablets		28		1494	M
<b>Now Reads</b>					
Famotidine 40mg tablets		28		1360	M
<b>PAGE 78 -</b>					
Glibenclamide 5mg tablets		28		109	M
<b>Now Reads</b>					
Glibenclamide 5mg tablets	◆	28		112	M
<b>PAGE 83 -</b>					
Lansoprazole 30mg orodispersible gastro-resistant tablets	◆	14		994	C <i>Zoton FasTab</i>
<b>Now Reads</b>					
Lansoprazole 30mg orodispersible tablets	◆	14		994	C <i>Zoton FasTab</i>
Lansoprazole 30mg orodispersible gastro-resistant tablets	◆	28		1988	C <i>Zoton FasTab</i>
<b>Now Reads</b>					
Lansoprazole 30mg orodispersible tablets	◆	28		1988	C <i>Zoton FasTab</i>
<b>PAGE 87 -</b>					
Mianserin 30mg tablets		28		1055	M
<b>Now Reads</b>					
Mianserin 30mg tablets		28		1121	M
<b>PAGE 95 -</b>					
Potassium effervescent tablets	■	56		1020	M
<b>Now Reads</b>					
Potassium (potassium 6.5mmol) effervescent tablets BPC 1968	■	56		1134	M
<b>PAGE 103 -</b>					
Terbutaline 1.5mg/5ml oral solution sugar free		300	ml	260	C
<b>Now Reads</b>					
Terbutaline 1.5mg/5ml oral solution sugar free		300	ml	238	A

---

**PREFACE**

---

**10.3.2 PART IXA - APPLIANCES****PAGE 126 - CATHETERS, URINARY, URETHRAL**

(A)(ii) Nélaton Catheter ('ordinary' cylindrical Catheter) Single use  
Coloplast Ltd

Speedicath Compact (Female)	(28580-28584)	10-14	4374 (=146 each)
--------------------------------	---------------	-------	---------------------

<b>Now Reads</b> (Female)	(28578-28584)	8-14	4374 (=146 each)
------------------------------	---------------	------	---------------------

**10.3.3 PART IXR - CHEMICAL REAGENTS****PAGE 381 - DETECTION STRIPS, BLOOD FOR GLUCOSE**

Biosensor Strips - to be read only with the appropriate meter

2.2.2	Advantage II	50	1582
-------	--------------	----	------

**Now Reads**

2.2.2	Advantage Plus (formerly Advantage II)	50	1613
-------	--	----	------

**10.3.4 PART XV - BORDERLINE SUBSTANCES****PAGE 416 - LIST A**

Clinutren Junior (formerly Sondalis Junior)

For use as the sole source of nutrition, or as a necessary nutritional supplement prescribed on medical grounds for:

Short bowel syndrome, intractable malabsorption, pre-operative preparation of patients who are undernourished, patients with proven inflammatory bowel disease, following total gastrectomy, dysphagia, bowel fistulae, disease-related malnutrition, growth failure in children aged 1-6 years. Not to be prescribed for any child under one year.

**Now Reads**

Clinutren Junior (formerly Sondalis Junior)

For use as the sole source of nutrition, or as a necessary nutritional supplement prescribed on medical grounds for:

Short bowel syndrome, intractable malabsorption, pre-operative preparation of patients who are undernourished, patients with proven inflammatory bowel disease, following total gastrectomy, dysphagia, bowel fistulae, disease-related malnutrition, growth failure in children aged 1-10 years. Not to be prescribed for any child under one year.

**PAGE 433**

Proceli Products (formerly Bercoeli Products)

See: Gluten-Free Products

**Now Reads**

PROCELI PRODUCTS

See: Gluten-Free Products

---



## CONTENTS

Cont

Preface .....	i
Definitions .....	2
Part I Requirements for the Supply of Drugs, Appliances and Chemical Reagents .....	3
Part II Requirements Enabling Payments to be made for the supply of Drugs, Appliances and Chemical Reagents.....	5
Part IIIA Professional Fees (Pharmacy Contractors).....	17
Part IIIB Scale of Fees (Appliance Contractors) .....	19
Part IV Containers.....	21
Part V Deduction Scale (Pharmacy Contractors).....	23
Part VIA Payment for Essential Services (Pharmacy Contractors) .....	27
Part VIB Scale of On-cost allowances (Appliance Contractors).....	33
Part VIC Advanced Services (Pharmacy Contractors) .....	35
Part VID Enhanced Services (Pharmacy Contractors).....	49
Part VII Drugs with Common Pack .....	51
Part VIII Basic Prices of Drugs.....	53
Part IX Appliances (Approved list of Appliances - Notes).....	109
Part IX Appliances (List of Technical Specifications).....	111
Part IXA Appliances .....	113
Part IXB Incontinence Appliances .....	185
Part IXC Stoma Appliances .....	227
Part IXR Chemical Reagents.....	381
Part X Home Oxygen Therapy Service.....	383
Part XI Exit Payments (Pharmacy Contractors).....	401
Part XII Essential Small Pharmacies Scheme (ESPS) .....	403
Part XIII Payments in respect of Pre-Registration Trainees .....	407
Part XIV Reward Scheme - Fraudulent Prescription forms .....	409
Part XV Borderline Substances .....	413
Part XVI Notes on Charges .....	471
Part XVIIA Dental Prescribing.....	483
Part XVIIIB(i) Nurse Prescribing .....	485
Part XVIIIB(ii) Nurse Prescribing .....	487
Part XVIIIC National out-of-hours formulary .....	497
Part XVIIIA Drugs and other substances not to be prescribed under the NHS Pharmaceutical Services .....	501
Part XVIIIB Drugs to be prescribed in certain circumstances under the NHS Pharmaceutical Services .....	529
Part XVIIIC Criteria notified under the Transparency Directive.....	533
Part XIX Payments to Chemists Suspended by Direction of the FHSAA.....	535
INDEX .....	539

---

**DEFINITIONS**

---

- (a) Except where the context otherwise requires, the terms to which a meaning is assigned by the Regulations or the Terms of Service have the same meaning in this Tariff.
- (b) The term contractor has the same meaning as chemist as defined in the Regulations.
- (c) A pharmacy contractor is a person with whom the Primary Care Trust (PCT) for England and Local Health Board (LHB) for Wales has made arrangements for the provision of pharmaceutical services in respect of the supply of drugs, appliances and chemical reagents.
- (d) An appliance contractor is a person with whom the PCT for England and LHB for Wales has made arrangements for the provision of pharmaceutical services so far as it relates to the supply of appliances included within Part IXA/B/C of this Tariff.
- (e) The term persons includes a body of persons corporate or unincorporate.
- (f) The term Pricing Authority means, as the case may require, the Prescription Pricing Authority or the Health Solutions Wales.
- (g) The term appliances as used in this Tariff includes dressings.
- (h) The term prescription refers to an item on a prescription form or dispensed in accordance with a repeatable prescription.
- (i) The term prescription form includes, where appropriate, a repeatable prescription.
- (j) The term pharmacy means any premises where drugs are provided by a pharmacist as part of pharmaceutical services under section 41 (arrangements for pharmaceutical services) of the Act.

In the preparation of this Tariff the Secretary of State for Health and the National Assembly for Wales have consulted the Pharmaceutical Services Negotiating Committee.

---

**REQUIREMENTS FOR THE SUPPLY OF DRUGS, APPLIANCES AND CHEMICAL REAGENTS**

---

**CLAUSE 1 DRUGS**

Any drug included in this Tariff or in the British National Formulary including the Nurse Prescribers' Formulary, Dental Practitioner's Formulary, European Pharmacopoeia, British Pharmacopoeia or the British Pharmaceutical Codex, supplied as part of pharmaceutical services, must comply with the standard or formula specified therein unless the prescriber has indicated to the contrary. Any drug supplied which is not so included must be of a grade or quality not lower than that ordinarily used for medicinal purposes.

**CLAUSE 2 APPLIANCES**

The only appliances which may be supplied as part of the pharmaceutical services are those listed in Part IXA/B/C, and Part X (see Clause 4 below), of the Tariff and which comply with the specifications therein. The items within Part IXA which are **not** prescribable on Forms FP10(CN) and FP10(PN) are annotated ☒

**CLAUSE 3 CHEMICAL REAGENTS**

The only chemical reagents which may be supplied as part of the pharmaceutical services are those listed in Part IXR of the Tariff. The items within Part IXR which are **not** prescribable on forms FP10(CN) and FP10(PN) are annotated ☒

**CLAUSE 4 DOMICILIARY OXYGEN THERAPY SERVICE**

The requirements for the supply of domiciliary oxygen and its associated appliances together with the arrangements for reimbursement of those contractors included on the PCT's for England and LHB's for Wales lists of contractors authorised to provide this service, are set out in Part X of the Tariff.

**CLAUSE 5 CLAIMS FOR PAYMENT**

Contractors shall endorse prescription forms as required in Clause 9 (Endorsement Requirements) of this Tariff. Contractors shall sort and despatch forms in such a manner as the PCT for England and LHB for Wales may direct. Contractors shall despatch the forms together with the appropriate claim form not later than the fifth day of the month following that in which the supply was made.

**CLAUSE 5A CLAIMS FOR PAYMENT - REPEAT DISPENSING SERVICES**

- A Contractors shall endorse batch issues (rather than repeatable prescriptions) as required in Clause 9 (Endorsement Requirements) of this Tariff. In addition, a batch issue relating to drugs, appliances or chemical reagents which have been dispensed shall be stamped with the contractor's stamp and dated with the date on which the items were dispensed.
- B Contractors shall sort and despatch batch issues and repeatable prescriptions in such a manner as the Primary Care Trust may direct.
- (i) Contractors shall despatch batch issues relating to drugs, appliances or chemical reagents which have been dispensed, together with the appropriate claim form, not later than the fifth day of the month following that in which the supply was made.
  - (ii) Contractors shall retain repeatable prescriptions until they have expired or are no longer required, and shall then despatch them (separately from the batch issues) in the month following that in which they expired or the contractor became aware that they were no longer required.
  - (iii) Contractors shall destroy any batch issues relating to drugs, appliances or chemical reagents which are not required, or which should not be dispensed, because the contractor has been notified to that effect by the doctor who issued them or because the relevant repeatable prescription has expired.

This Page is Intentionally Blank

---

**REQUIREMENTS ENABLING PAYMENTS TO BE MADE FOR THE SUPPLY OF DRUGS,  
APPLIANCES AND CHEMICAL REAGENTS**

---

**CLAUSE 6      \*\*CALCULATION OF PAYMENTS**

II

**A      Pharmacy Contractors**

Payment for services provided by pharmacy contractors in respect of the supply of drugs, appliances and chemical reagents supplied against prescriptions at each separate place of business shall comprise:-

- (i) (a) The total of the prices of the drugs, appliances and chemical reagents so supplied calculated in accordance with the requirements of this Tariff.  
  
LESS  
  
\*(b) An amount, based on the total of the prices at (i)(a) above, calculated from the table at Part V ("Deduction Scale").  
  
AND
- (ii) The appropriate professional fee as set out in Part IIIA  
  
AND
- (iii) The allowance for containers and specified measuring devices as set out in Part IV.

**\*NOTE 1**

No deduction will be made in respect of prescriptions for items listed on page 9 to page 14 for which the contractor has not been able to obtain a discount:

**\*\*NOTE 2**

(Wales only) Payments in respect of October 1999 to March 2000.

Contractors in agreement with LHBs in Wales who have notified the LHB that they accept the revised basis of calculation of payments for the period 1 October 1999 to 31 March 2000 set out in the National Assembly's offer letters on 20 November 2000 and 3 April 2001 shall be paid in accordance with the provisions of these letters.

**B      Appliance Contractors**

Payment for services provided by appliance contractors in respect of the supply of appliances so supplied against prescriptions at each separate place of business, shall comprise:-

- (i) The total of the prices of the appliances, calculated in accordance with Part IXA/B/C  
  
PLUS
- (ii) An amount based on the number of prescriptions against which supply is made each month, calculated from the Table at Part VIB ("Oncost Allowance" scale) and applied to the total of the prices at (i) above.  
  
PROVIDED THAT
  - (a) Where prescription forms are received by the Pricing Authority from two or more contractors whose names are separately entered on the pharmaceutical list for the supply of appliances only in respect of the provision of services at the same place of business, all such prescription forms shall be aggregated for the purpose of the calculation as at (ii) above and the rate so calculated shall be applied to the total of the prices calculated in accordance with (i) above in respect of the prescriptions received from each of those persons.
  - (b) A contractor's name shall not be entered on the Pharmaceutical List separately for the same place of business in respect of (1) the supply of appliances, (2) the supply of drugs and appliances, or (3) the supply of drugs, except in the case of a contractor for whom separate entries on the Pharmaceutical List relating to the same place of business were allowed prior to the first day of November 1961.

---

**REQUIREMENTS ENABLING PAYMENTS TO BE MADE FOR THE SUPPLY OF DRUGS,  
APPLIANCES AND CHEMICAL REAGENTS**

---

- (c) Where a contractor's name is entered on the Pharmaceutical List in respect of the provision of services at more than one place of business, the calculation as at (ii) above shall be made separately in relation to the total of the prices calculated in accordance with (i) above in respect of prescriptions received in respect of the services provided at each place of business.

AND

- (iii) The appropriate fees as set out in Part IIIB

**CLAUSE 7 PAYMENTS FOR DRUGS, APPLIANCES AND CHEMICAL REAGENTS**

- A The price on which payment is based for a quantity of a drug, appliance or chemical reagent supplied is calculated proportionately from the basic price (see Clause 8 - Basic Price).
- B Subject to the provisions of Clause 10 (Quantity to be supplied) payment will be calculated on the basis that the exact quantity ordered by the prescriber has been supplied.
- C Where a prescription form has been returned to the contractor for endorsement or elucidation and it is returned to the Pricing Authority unendorsed, or incompletely endorsed, or without further explanation, then the price for the drug, appliance or chemical reagent which it orders shall be determined by the Secretary of State for Health and the National Assembly for Wales.
- D If a contractor's overall supply of a product appears to justify payment being based on the cost of a larger size than that normally required pursuant to orders on prescription forms and notice has been given to that effect to the contractor, the basic price will be the price of that larger size, the prescription form being deemed to have been endorsed.

**CLAUSE 8 BASIC PRICE**

- A The basic price for those drugs, appliances and chemical reagents ordered by a name, or a synonym of that name, included in Parts VIII or IX shall be the price listed in the Drug Tariff.
- B In exceptional circumstances, where, in the opinion of the Secretary of State for Health and the National Assembly of Wales (NAW), there is no product available to contractors, at the price in Part VIII, claims for reimbursement for a product with a higher price than that listed may be accepted. Such claims shall be made by endorsement as set out in Clause 9C but only in the circumstances described in that Clause. If the Secretary of State for Health and the NAW are satisfied that the contractor was not able reasonably to obtain the product at a lower price, the basic price shall be the list price, for supplying to contractors, of the product and pack size so used, or such other price as the Secretary of State for Health and the NAW shall determine.  
The Secretary of State for Health and the NAW will publish details of any preparations to which this applies and the month(s) in which it applies. The Secretary of State for Health and the NAW may in addition specify the products for which endorsement will be accepted.
- C The basic price for a drug which is not listed in Part VIII of the Tariff shall be the list price, for supplying to contractors, of the pack size to be used for a prescription for that quantity, published by the manufacturer, wholesaler or supplier. In default of any such list price, the price shall be determined by the Secretary of State for Health and the NAW.

**REQUIREMENTS ENABLING PAYMENTS TO BE MADE FOR THE SUPPLY OF DRUGS,  
APPLIANCES AND CHEMICAL REAGENTS**

**CLAUSE 9      ENDORSEMENT REQUIREMENTS**

- A      Contractors shall endorse prescription forms for drugs, appliances and chemical reagents listed in this Tariff as required by this Clause and when so required by the provisions of Part II Clauses 10 (Quantity to be Supplied) and 11 (Broken Bulk), Part III (Fees) and Note 2 to Part IXA/B/C (Appliances).
- B      Prescriptions for drugs not listed in Part VIII of the Tariff shall be endorsed by the contractor with the pack size from which the order was supplied and, if the order is in pharmacopoeial or 'generic' form, with the brand name or the name of the manufacturer or wholesaler from whom the supply was purchased. Where the preparation is in Part VIII of the Tariff and more than one pack size is listed, contractors shall endorse the pack size from which the order was supplied. Where the preparation is in Part VIII of the Tariff and only one pack size is listed, no endorsement of pack size is necessary. Where additional specific endorsement is necessary contractors shall endorse prescription forms when so required by the provisions of Part II Clauses 10 (Quantity to be Supplied) and 11 (Broken Bulk), Part III (Fees).
- C      Where the preparation is in Part VIII of the Tariff and, as described in Clause 8B, in the opinion of the Secretary of State for Health and the NAW there is no product available to contractors at the appropriate price, endorsements of brand name or of manufacturer or wholesaler of the product and pack size so used may be accepted. Contractors shall not so endorse unless they have made all reasonable efforts to obtain the product at the appropriate price but have not succeeded. The endorsement shall be initialled and dated by or on behalf of the contractor, and shall be further endorsed "no cheaper stock obtainable" or "NCSO" to indicate that the contractor has taken all such responsible steps.
- D      Where insufficient information is available to enable the Pricing Authority to process the prescription, the form shall be returned to the contractor who shall endorse the prescription form with the information requested.
- E      Where a contractor supplies a quantity at variance with that ordered, ie under the provisions set out in Clause 10 (Quantity to be Supplied), the prescription shall be endorsed with the quantity supplied. An exception to this requirement is where a drug is supplied in a Calendar Pack and the quantity ordered differs from that pack. In such cases and in the absence of an endorsement to the contrary, the contractor will be deemed to have supplied the quantity available in the nearest number of packs or sub-packs to that ordered.

**CLAUSE 10      QUANTITY TO BE SUPPLIED**

- A      Subject to the requirements of the Weights and Measures (Equivalent for Dealing with Drugs) Regulation, 1970, with regard to the supply in metric quantities of orders expressed in imperial quantities, payment will normally be calculated on the basis that the exact quantity ordered by the prescriber has been supplied, except only of those preparations referred to in B and C below:
- B      **Drugs and Chemical Reagents in Special Containers.**  
Where the quantity ordered by the prescriber does not coincide with that of an original pack and the drug or chemical reagent is:
- (i)      Sterile
  - (ii)     Effervescent or hygroscopic, or
  - (iii)    (a) Liquid preparations for addition to bath water
  - (b) Coal Tar preparations
  - (c) Viscous external preparations
  - (iv)    Packed in a castor, collapsible tube, drop-bottle, pressurised aerosol, puffer pack, roll-on-bottle, sachet, shaker, spray, squeeze pack, container with an integral means of application, or any other container from which it is not practicable to dispense the exact quantity:

the contractor shall supply in the special container or containers the quantity nearest to that ordered and endorse the prescription form with the number and size of those containers. Although payment will normally be based on the quantity nearest to that ordered, some items are available in a larger size pack or container than that normally required pursuant to orders on prescription forms. Where the amount ordered on a prescription form, or the frequency of supply, justifies supply from such larger size pack or container, payment will be based on the cost of that larger size in the absence of endorsement.

---

**REQUIREMENTS ENABLING PAYMENTS TO BE MADE FOR THE SUPPLY OF DRUGS,  
APPLIANCES AND CHEMICAL REAGENTS**

---

**C Manufacturers' Calendar Packs (including Oral Contraceptives)**

- (i) A manufacturer's calendar pack is a blister or strip pack showing the days of the week or month against each of the several units in the pack. Although payment is normally based on the number of packs or sub-packs nearest to the quantity ordered (see Clause 9E (Endorsement Requirements)) there may be occasions when, in the pharmacist's professional opinion, the prescriber's intention is that an exact quantity should be supplied. In such cases the contractor should supply accordingly and endorse the prescription form with the quantity supplied. Payment will then be based on the quantity shown by the endorsement.
- (ii) Payment for a Manufacturer's Calendar Pack or Original Pack will be based on the smallest pack size available when one or a number of such packs are ordered. Some original packs contain more than one monthly cycle and prescriptions ordering three or more such packs will be returned to the contractor for clarification.

\* See page 15 Products included in Clause 10B(iii)

**CLAUSE 11 BROKEN BULK**

- A This clause applies to drugs, incontinence and stoma appliances in Part IXB and IXC and chemical reagents other than items supplied in special containers covered by Clause 10B.
- B When the quantity ordered on a prescription form is other than the minimum quantity the manufacturer, wholesaler or supplier is prepared to supply and the contractor, having purchased such minimum quantity as may be necessary to supply the quantity ordered cannot readily dispose of the remainder, payment will be made for the whole of the quantity purchased. Subsequent prescriptions, received during the next six months, will be deemed to have been supplied from the remainder and no further payment will be made to drug costs other than fees and container allowances until that remainder has been used up. Thereafter contractors must endorse prescription forms to indicate when a claim for payment is being made.

**CLAUSE 12 OUT OF POCKET EXPENSES**

Where, in exceptional circumstances, out-of-pocket expenses have been incurred in obtaining a drug, appliance or chemical reagent other than those priced in Part VIII Category A and M, Part IXA and Part IXR of the Tariff and not required to be frequently supplied by the contractor, or where out-of-pocket expenses have been incurred in obtaining oxygen from a manufacturer, wholesaler or supplier specially for supply against a prescription, payment of the amount by which such expenses on any occasion exceed 10p may be made where the contractor sends a claim giving full particulars to the Pricing Authority with the appropriate prescription form.

**CLAUSE 13 DRUG PREPARATIONS REQUIRING RECONSTITUTION FROM GRANULES OR POWDER**

- A This clause applies to a drug preparation requiring reconstitution from granules or powder by the contractor and resulting in a liquid of limited stability.
- B When the quantity reconstituted from an original pack or packs is unavoidably greater than the quantity ordered, and it has not been possible for the contractor to use the remainder for or towards supplying against another prescription (See "CLAUSE 11 BROKEN BULK" on page 8.) payment, which attracts the standard professional fee (but see also Part IIIA, 2D), will be calculated from the Basic Price of the preparation and will be based on the nearest pack or number of packs necessary to cover the quantity ordered.



**REQUIREMENTS ENABLING PAYMENTS TO BE MADE FOR THE SUPPLY OF DRUGS,  
APPLIANCES AND CHEMICAL REAGENTS**

**Zero Discount List A**

II

Contractors who have not received discount in respect of the following products need not endorse the prescription "ZD". The prescription price reimbursement will have no discount deduction applied.

\* Part XV

Aciclovir 200mg/5ml oral suspension sugar free	Betnovate-C Ointment
Aciclovir 400mg/5ml oral suspension sugar free	Betnovate-N Cream
Actinac Treatment Pack	Betnovate-N Ointment
Addiphos Injection	Bismuth Subnitrate and Iodoform Paste
Additrac Solution	BPC 1954
Agenerase Capsules	Borderline Substance Foods*
Agenerase Solution	Botox Injection (Allergan)
Air Cylinders (Medical Grade)	Calciferol Injection
Alkeran Tablets	300,000u/1ml and 600,000u/2ml
Aloxi Injection 250mg	Calsynar
Alphaparin Injection	CAPD Fluids
Alternative Medicines	Carbon Dioxide J-size Cylinders
Ametop Gel	(L.H. Medical)
Ammonaps Granules and Tablets (Orphan Europe)	Caverject Injection 40 micrograms only
Amoxicillin 125mg/1.25ml Oral Suspension	Cefuroxime Tablets 125mg and 250mg Tablets
Amoxicillin 500mg & 1g Injection Vial	Chloramphenicol Ear Drops
Amoxil Capsules 250mg, 500mg	Chloramphenicol Eye Drops BP, 0.5% w/v
Amoxil Powder for Solution for Injection Vials	Chloromycetin Redidrops 0.5%
250mg & 500mg (Dry)	Choragon Injection (Ferring Pharmaceuticals)
Amoxil Suspension 125mg/1.25ml	Cicatrín Cream
Amoxil Powder for Solution for Injection Vials 1g	Cicatrín Powder
Andropatch Patch 2.5mg, 5mg	Clioquinol 3%/Bethamethasone valerate 0.1%
Anectine Injection 100mg/2ml Ampoules	Cream
APO-go Ampoule (Britannia Pharmaceuticals)	Clioquinol 3%/Bethamethasone valerate 0.1%
APO-go Pen (Britannia Pharmaceuticals)	Ointment
APO-go 5mg/ml Solution for Infusion	Clobetasol 0.05% Cream
Pre-Filled Syringe (Britannia Pharmaceuticals)	Clobetasol 0.05% Ointment
Aranesp Injection (Amgen)	Clobetasone 0.05% Cream
Aranesp Sureclick Pre-Filled Pen	Clobetasone 0.05% Ointment
Arixtra Pre-Filled Syringe	Clomid Tablets (Aventis Pharma)
Ativan Injection 4mg/1ml Ampoule	Clozaril Tablets
Augmentin Dispersible Tablets 375mg	Co-amoxiclav 250/125 Dispersible Tablets
Augmentin Injection I/V 600mg & 1.2g Vial (Dry)	Co-amoxiclav 400/57 Oral Suspension SF
Augmentin Suspension 125/31, 250/62	Combivir Tablets
Augmentin-Duo Suspension 400/57	Controlled Drugs in schedules 1,2 and 3 of the
Augmentin-Duo Suspension 400/57, Sugar-Free	Misuse of Drugs Regulations 2001
Augmentin Tablets 625mg	Copaxone Injection
Avandamet Tablets 1mg, 2mg/500mg, 2mg/1g &	Covermark Products listed in Drug Tariff*
4mg/1g	(Covermark)
Avodart Capsules 0.5mg	Cuplex Gel
Avonex Injection (dist. Caremark)	Cutivate Cream
Bactroban Cream	Cutivate Ointment
Beclometasone 0.025% Cream	Cystagon Capsules
Beclometasone 0.025% Ointment	Cytosar Injection (Pharmacia & Upjohn)
Becodisks 100mcg, 200mcg, 400mcg	Daktacort Cream
Becodisks and Diskhaler 100mcg, 200mcg,	Dalivit Drops
400mcg	Daraprim Tablets 25mg
Benefix	DaunoXome Infusion (Nexstar)
Betaferon (Schering)	DDAVP Injection
Betamethasone Valerate 0.025% Cream	DDAVP Intranasal
Betamethasone Valerate 0.025% Ointment	Debrisoquine Tablets (Cambridge Laboratories)
Betnovate RD Cream	Dentomycin Gel 2%
Betnovate RD Ointment	Denzapine Tablets 25mg & 100mg
Betnovate-C Cream	Depakote Tablets 500mg

**REQUIREMENTS ENABLING PAYMENTS TO BE MADE FOR THE SUPPLY OF DRUGS,  
APPLIANCES AND CHEMICAL REAGENTS**

**Zero Discount List A**

Dermablend Products listed in Drug Tariff* (Brodie and Stone)	Granocyte Injection (Aventis Pharma)
Dermacolor Products listed in Drug Tariff* (Charles H Fox)	Griseofulvin 125mg and 500mg Tablets
Dermovate Cream	Grisovin Tablets 125mg, 500mg
Dermovate Ointment	G.T.O. Oil (S.H.S.)
Dermovate-NN Cream	Haemate
Dermovate-NN Ointment	Healonid Injection (Pharmacia & Upjohn)
Desferal Injection 500mg	Helixate
Desmopressin Intranasal Solution BP, 100 micrograms/ml	Heminevrin Syrup
Dicobalt Edetate Injection	Hepsera
Digoxin 50 micrograms/ml Oral Solution	Histoacryl Tissue Adhesive
Diprivan Injection (Zeneca)	Homoeopathic Products (including Iscador Injection (Weleda))
Drugs available only on a named patient basis	Humatrope
Duac Once Daily Gel	Humira Injection
Dutasteride 500mcg Capsules	Hydrocortisone and Miconazole Cream
Efcortelan Cream 0.5%, 1%, 2.5%	Imigran Subject Syringe with Injector
Efcortelan Ointment 0.5%, 1%, 2.5%	Imigran Subject Refill Pack
Emtriva Capsules 200mg	Imigran Nasal Spray 10mg, 20mg
Enbrel (Wyeth)	Imigran Radis Tablets 50mg, 100mg
Epivir Oral Solution 10mg/ml	Imuran Injection 50mg
Epivir Tablets 150mg & 300mg	Insulin
Eprex (Janssen Cilag)	Insulin, Human
Ergometrine Maleate Tablets 500mcg	Intron - A Injection (Schering Plough)
Ether Solution BP	Isocarboxazid Tablets
Eumovate Cream	Kaletra Capsules
Eumovate Ointment	Kaletra Oral Solution
Fabrazyme Injection (Genzyme)	Keromask Products listed in Drug Tariff * (Innoxia)
Faslodex Injection 250mg/5ml	Ketovite Liquid
Fibro-Vein Injection	Ketovite Tablets
Flixonase Nasules	Kogenate Bayer
Flolan	Lamictal Tablets 25mg, 50mg, 100mg, 200mg
Floxapen Injection 250mg, 500mg & 1g Vial (Dry)	Lamictal Dispersible Tablets 5mg, 25mg, 100mg
Floxapen Syrup 125mg/5ml	Lamictal Chewable & Dispersible Tablets 2mg
Fluticasone 0.05% Cream	Lamotrigine Dispersible Tablets 2mg, 5mg, 25mg, 100mg
Fluticasone 0.005% Ointment	Lamotrigine Tablets 25mg, 50mg, 100mg, 200mg
Fluticasone/Salmeterol Inhaler CFC Free 50micrograms/25micrograms, 125micrograms/25micrograms & 250micrograms/25micrograms	Lanoxin Injection
Forsteo Injection	Lanoxin Tablets 250mcg
Fortovase Capsules	Lanoxin P.G. Elixir
Fortum I/M or I/V Injection 500mg & 1g Vial (Dry)	Lanoxin P.G. Tablets 62.5mcg
Fortum I/M or I/V Paediatric Injection 250mg Vial (Dry)	Lanoxin-125 Tablets 125mcg
Fortum I/V Infusion 2g Monovial	Lanvis Tablets 40mg
Fortum I/V Injection 2g Vial (Dry)	Latanoprost Eye Drops
Fortum Injection 3g Vial	Leucomax Injection
Fragmin Injection 12,500iu	Leukeran Tablets
Fungizone Intravenous	Liskonum Tablets 450mg
Fungizone Tissue Culture (Bristol-Myers Squibb)	Lithium Carbonate 450mg modified-release Tablets
Gammabulin (Baxter)	Loprazolam Tablets
Genotropin	Lorenzo's Oil (S.H.S.)
Genotropin Kabivial	Lysuride Tablets (Cambridge Laboratories)
Genotropin Miniquick	Made to measure elastic hosiery & trusses
Glivec Tablets 400mg	Malarone Tablets
Glivec Tablets 100mg	Mefenamic Acid Suspension 50mg/5ml
GlucaGen Kit	Menopur Vials
Glucagon Injection	Merional Injections
Glucogel	Meronem Injection (Zeneca)
	Metformin/Rosiglitazone Tablets 500mg/2mg, 1g/2mg & 1g/4mg
	Metvix Cream
	Miacalcic Injection

**REQUIREMENTS ENABLING PAYMENTS TO BE MADE FOR THE SUPPLY OF DRUGS,  
APPLIANCES AND CHEMICAL REAGENTS**

**Zero Discount List A**

Mimpara Tablets 30mg, 60mg & 90mg	Refacto Injections
Minims (all preparations)	Regranex Gel
Mivacron Injection 2mg/ml	Relenza Disks and Diskhaler
Monoclate P	Replagal Injection 3.5mg/3.5ml Vial
Mononine	Replenate
Multibionta Solution 10ml Ampoule	Replenine-VF
Mupirocin 2% Cream	Requip Tablets
Muse Transurethral System Stick (Abbott)	Restandol Capsules 40mg
Mustine Hydrochloride Injection 10mg	Retrovir Capsules 100mg & 250mg
Mydrilate Solution	Retrovir IV for Infusion 20ml Vial
Myleran Tablets	Retrovir Oral Solution 100mg/10ml
Myleran Tablets 2mg	Reyataz Capsules 100mg, 150mg & 200mg
Nabilone Capsules 1mg (Cambridge Laboratories)	Risperdal Consta Injection
Nardil Tablets	Roferon - A Injection (Roche)
Natures Own Products	Ropinirole Tablets
Neomycin 0.5%/Betamethasone Valerate 0.1% Cream	Salbutamol 200 Cyclocaps (salbutamol 200micrograms inhalation powder capsules)
Neomycin 0.5%/Betamethasone Valerate 0.1% Ointment	Salbutamol 400 Cyclocaps (salbutamol 400micrograms inhalation powder capsules)
Neostigmine Tablets (Cambridge Laboratories)	Salbutamol Modified Release Tablets 4mg & 8mg
NeoRecormon	Sandimmun Concentrate for Infusion (Novartis)
NeoRecormon with Syringe	Sandimmun Oral Solution (Novartis)
Neosporin Eye Drops	Sandoglobulin
Neupogen	Sandostatin Injection
Norvir Capsules (Abbott)	Sandostatin LAR Injection
Norvir Oral Solution (Abbott)	Saventrine I.V. Injection
Noxyflex-S	Scopoderm TTS Patches
One-Alpha Drops	Sebomin MR Capsules 100mg
One-Alpha Injection	Seprin Adult Suspension 480mg/5ml
Optimax Tablets 500mg	Seprin Forte Tablets 960mg
Otosporin Ear Drops	Seprin Infusion 480mg/5ml
Pancrex Granules	Seprin Tablets 480mg
Pancrex V Capsules	Seretide Evohaler 50mcg, 125mcg, 250mcg
Pancrex V 125 Capsules	Simulect Injection
Pancrex V Enteric Coated Tablets 60mg	Sodium Bicarbonate Intravenous Infusion BP
Pancrex V Forte Tablets	Somatuline LA Injection (Ipsen)
Pancrex V Powder	Somavert Injection 10mg, 15mg & 20mg
Pavulon Injection 4mg/2ml	Spectraban Ultra Lotion SPF 28
Peditrace Vials	Sumatriptan 10mg and 20mg Unit Dose Nasal Spray
Penbritin Capsules 250mg	Sumatriptan 12mg/ml Injection 0.5ml Pre-Filled Syringes
Penbritin Injection 500mg	Sumatriptan 12mg/ml Injection 0.5ml Syringe Refill
Perfan Injection	Sustiva 600 Tablets
Pharmorubicin Injection	Synacthen Ampoule
Phenelzine Tablets 15mg	Synacthen Depot Ampoule
Phosex Tablets	Synagis Injection 50mg and 100mg
Pregnyl Injection	Synercid Vials
Prevenar Injection	Syntometrine Injection
Pro-Epanutin Conc for Injection	Tacrolimus Capsules 0.5mg, 1mg & 5mg
Prograf Capsules 0.5mg, 1mg & 5mg (FujiSawa)	Tacrolimus Ointment 0.1% and 0.03%
Prograf Concentrate for Infusion Ampoule (FujiSawa)	Tagamet Injection 200mg/2ml Amp
Propaderm Cream	Taxotere Infusion
Propaderm Ointment	Tenormin Injection (AstraZeneca)
Protopic Ointment (FujiSawa)	Testosterone Enanthate 250mg/1ml Ampoule (Cambridge Laboratories)
Pulmozyme Nebuliser Solution (Roche)	Testosterone Undecanoate Capsules 40mg
Puregon Injections	Tetrabenazine Tablets
Puri-Nethol Tablets 50mg	Thiotepa Wyeth Lederle Injection
Pylorid Tablets 400mg	Thyrogen Injection (Genzyme)
Ranitidine Bismuth Citrate 400mg Tablets	Timentin Vial 3.2mg
Recombinate	
Rebif Injection (Serono)	

---

**REQUIREMENTS ENABLING PAYMENTS TO BE MADE FOR THE SUPPLY OF DRUGS,  
APPLIANCES AND CHEMICAL REAGENTS**

---

**Zero Discount List A**

---

Timodine Cream  
Tobi  
Total Parental Nutrition (TPN)  
Tracleer Tablets 62.5mg & 125mg  
Tracrium Injection  
Tranlycypromine Tablets 10mg  
Trimovate Cream  
Trizivir Tablets  
Truvada Tablets 200mg/245mg  
Uftoral Capsules (Bristol-Myers Squibb)  
Vaccines  
Vancomycin Capsules 125mg & 250mg  
Varidase Combi-pack  
Varidase Topical  
Veil Products listed in Drug Tariff\*  
(Thomas Blake)  
Velcade Injection 3.5mg  
Ventodisks 200mcg, 400mcg  
Ventodisks and Diskhaler 200mcg, 400mcg  
Ventolin Injection Solution 500mcg/ml 1ml Amp  
Ventolin Respirator Solution  
Ventolin Solution for I/V Infusion 1mg/ml 5ml Amp  
Ventolin Syrup  
Vesanoid Capsules  
Videx EC Capsules 125mg, 200mg,  
250mg & 400mg  
Videx Tablets (Bristol-Myers Squibb)  
Viraferon Injection (Schering-Plough)  
Viramune Tablets  
Viread Tablets 245mg  
Vitamin E Suspension 500mg/5ml  
(Cambridge Labs)  
Volmax Tablets 4mg, 8mg  
Voltarol Ophtha  
Wellvone Suspension 750mg/5ml  
Xalatan Eye Drops  
Xenazine Tablets 25mg  
Xyloproct Ointment  
Zantac 75 Relief Tablets 75mg  
Zantac Injection IM/IV 25mg/ml 2ml Amp  
Zeffix Oral Solution 5mg/ml  
Zeffix Tablets 100mg  
Zemplar Injection 5micrograms/ml  
Zenapax Infusions  
Ziagen Oral Solution 20mg/ml  
Ziagen Tablets 300mg  
Zinacef Injection 250mg, 750mg & 1.5g  
Zinnat Sachets 125mg  
Zinnat Suspension 125mg/5ml  
Zinnat Tablets 125mg & 250mg  
Zofran Injection 2mg/ml 2ml & 4ml Flexi-Amp  
Zofran Melt 4mg,8mg  
Zofran Suppositories 16mg  
Zofran Syrup 4mg/5ml  
Zofran Tablets 4mg, 8mg  
Zomacton Injection (Ferring)  
Zovirax Dispersible Tablets 200mg, 400mg, 800mg  
Zovirax IV Infusion 250mg & 500mg  
Zovirax Suspension 200mg/5ml, 400mg/5ml  
Zyloric Tablets 100mg  
Zyloric 300 Tablets 300mg

**REQUIREMENTS ENABLING PAYMENTS TO BE MADE FOR THE SUPPLY OF DRUGS,  
APPLIANCES AND CHEMICAL REAGENTS**

**Zero Discount List B**

II

Contractors who have not received discount in respect of the following products should endorse the prescription "ZD". The prescription price reimbursement will then have no discount deduction applied.

Aerobec 100 Autohaler	Ergometrine Injection 500 micrograms/1ml
Airomir Autohaler 100mcg 200	Estracyt Capsules 140mg
Airomir Inhaler 100mcg 200	Ferriprox Tablets
Anapen Autoinjector	Gentamicin Injection 40mg
Anapen Junior Autoinjector	Glandosane Artificial Saliva (Fresenius Kabi)
Anquil Tablets 250mcg	Glivec Capsules 100mg (Novartis)
Aramine Injection 10mg/1ml	Gonal-F (Serono)
Atropine Sulphate Injection P/F Syringe 3mg/10ml	Gonapeptyl Injections
Audicort Drops	Haelan 4micrograms/cm <sup>2</sup> Tape 7.5cm
Aureomycin Ointment 3%	Hepsal Solution 50iu/5ml
Aveeno Bath Oil, Colloidal Sachets and Cream	Human Normal Immunoglobulin
Aveeno Lotion	Hyoscine Injection BP, 400 micrograms/1ml Ampoule
Beclazone 50 Easi-Breathe Inhaler	Immukin Injection (Boehringer Ingelheim)
Beclazone 100 Easi-Breathe Inhaler	Innohep Injection (Leo)
Beclazone 250 Easi-Breathe Inhaler	Isovorin Injection
Beclometasone 100 micrograms/actuation breath actuated inhaler	Kay Cee L Syrup
Beclometasone 100 micrograms/actuation breath actuated inhaler CFC Free	Ketalar Injection
Beclometasone 250 micrograms/actuation breath actuated inhaler	Ketek Tablets 400mg (Aventis Pharma)
Beclometasone 50 micrograms/actuation breath actuated inhaler	LarvE maggots
Beclometasone 50 micrograms/actuation breath actuated inhaler CFC Free	Lignocaine Antiseptic Gel
Beclometasone Cyclocaps	Lignocaine Gel
Benperidol 250microgram Tablets	Linezolid Tablets 600mg
Benzoyl Peroxide 5%/Clindamycin 1% Gel	Magnesium Sulphate Injection 50%
Bondronat Solution for Infusion 2mg/2ml Ampoule	Marcaïn Preparations
Ceftazidime Powder for Injection 500mg, 1g, 2g	Methotrexate Injection 50mg/2ml
Cerezyme I/V Infusion	Methotrexate Tablets, all strengths
Chlormethiazole Oral Solution BP, sugar free 250mg/5ml	Metrodin High Purity Injection (Serono)
Clexane Injection	Metrozol
Co-danthramer Capsules	Miacalcic Nasal Spray (Novartis)
Co-danthramer Capsules Strong	Min-I-Jet
Co-danthramer Suspension 25/200 in 5ml	Monoparin Injection
Co-danthramer Suspension Strong 75/1000 in 5ml	Movicol-Paediatric Plain Powder
Co-danthrusate Capsules	Multiparin 1000u/ml
Co-danthrusate Suspension	Nasofan Nasal Spray
Cosmofer Injection	Nitrofurantoin Suspension 25mg/5ml
Crixivan Capsules	Nocutil Nasal Spray
Cromogen Easi-Breathe 5mg	Norditropin SimpleXx
Cyclopentolate Eye Drops BP, 0.5% and 1% w/v	Normax Suspension
Cyclosporin Oral Solution	NutropinAq Solution for Injection 10mg/2ml
Cytotec Tablets 200mcg	Orgalutran Pre-Filled Syringe
Dacarbazine Injection 100mg & 200mg	Oxycel Sterilised Gauze Pad
Decapeptyl SR	Pabrinex I/M Injection
Depixol Tablets 3mg	Paracetamol Suppositories 120mg, 240mg, 500mg
Desferal Injection 2g	PegIntron Vials
Desmopressin Nasal Spray 10micrograms	Phenindione Tablets 10mg, 25mg & 50mg
Desmospray Spray	Phenylephrine Eye Drops BP, 10% w/v
Dexamethasone Injection	Prednisolone 5mg Soluble Tablets
Dexamethasone Tablets 0.5mg & 2mg	Proctosedyl Suppositories
Diethylstilbestrol Tablets, 1mg	Profasi Injection (Serono)
Dysport	Proleukin Injection
Ethinylestradiol 50microgram Tablets	Pylobactell Test
Epipen	QVAR 50 Autohaler 200
	QVAR 100 Autohaler 200
	QVAR 50 Inhaler 200
	QVAR 100 Inhaler 200
	QVAR Easi-Breathe 50mcg 200
	QVAR Easi-Breathe 100mcg 200

---

**REQUIREMENTS ENABLING PAYMENTS TO BE MADE FOR THE SUPPLY OF DRUGS,  
APPLIANCES AND CHEMICAL REAGENTS**

---

**Zero Discount List B**

---

Rapamune Oral Solution  
Rapamune Sachets  
Raptiva 100mg/ml pre-filled syringe  
Remicade Injection  
Roaccutane Capsules  
Robinul Powder  
Saizen Injection 4iu, 10iu, 24iu vials(Serono)  
Salamol CFC-Free 100micrograms/actuation  
Inhaler  
Salamol Easi-Breathe 100mcg  
Sandimmun Capsules (Novartis)  
Seractil Tablets 300mg & 400mg  
Skin-Cap Preparations (Cheminova)  
Sodium Chloride Intravenous Infusion BP,  
0.9% w/v 100ml  
Solivito N Solution  
Somatuline Autogel (Ipsen)  
Special formulations  
Spectraban 25 Lotion SPF 25  
Steripaste Bandage 15%  
Streptomycin Sulphate Injection  
Surgicel  
Sustiva Capsules  
Syntocinon Injections  
Syprol Solution  
Telzir Oral Suspension 50mg/ml  
Telzir Tablets 700mg  
Testim Gel  
Tetabulin Injection  
T-Gel Shampoo  
Triclofos Oral Solution BP  
Trifluoperazine Syrup 5mg/5ml  
Ursodeoxycholic Capsules and Tablets  
Uvistat Ultrablock Cream SPF30 (Eastern Pharms)  
Velbe Injection  
Vernagel Sachets  
Vigam Liquid (BPL)  
Viraferon Peg Injections  
Vitamin A Injection (Cambridge Laboratories)  
Vivotif Capsules  
Water for Injection 100ml  
Xalacom Eye Drops  
Xylocaine 2% Adrenaline Injection Cartridge  
Xylocaine Adrenaline Injection Vial  
Xylotox E80 Injection Cartridge  
Zamadol Injection  
Zantac 75 Dissolve Tablets  
Zerit Capsules  
Zonegran Capsules 25mg, 50mg & 100mg  
Zyvox Tablets 600mg

**REQUIREMENTS ENABLING PAYMENTS TO BE MADE FOR THE SUPPLY OF DRUGS,  
APPLIANCES AND CHEMICAL REAGENTS**

**PRODUCTS INCLUDED IN CLAUSE 10B(iii)**

**Products included in Clause 10B(iii) are listed below.**

Liquid preparations for external use:

<b>SubPara</b>	<b>Name</b>	<b>Pack(s)</b>
(c)	Alcoderm Lotion	(200ml)
(a)	Alpha Keri Bath Oil	(240ml and 480ml)
(b)	Alphosyl Lotion	(250ml)
(c)	Alphosyl Shampoo 2 in 1	(125ml and 250ml)
(c)	Ascabiol Emulsion	(100ml)
(a)	Aveeno Bath Oil	(250ml)
(c)	Aveeno Lotion	(400ml pump pack)
(a)	Balneum Bath Oil	(200ml, 500ml and 1000ml)
(a)	Balneum Plus Bath Oil 82.95%/15%	(500ml)
(c)	Betadine Shampoo	(250ml)
(b)	Capasal Therapeutic Shampoo	(250ml)
(c)	Ceanel Concentrate	(50ml, 150ml and 500ml)
(a)	Cetraben Bath Oil	(500ml)
(c)	Dentinox Cradle Cap Shampoo	(125ml)
(a)	Dermalo Bath Emollient	(500ml)
(c)	Dermol 200 Shower Emollient	(200ml)
(c)	Dermol 500 Lotion	(500ml pump)
(c)	Dermol 600 Bath Emollient	(600ml)
(a)	Diprobath Emollient	(500ml)
(a)	E45 Bath Oil	(250ml and 500ml)
(c)	E45 Lotion	(250ml and 500ml pump)
(c)	E45 Shower Creme Emollient	(200ml)
(c)	E45 Wash	(250ml)
(a)	Eurax Dermatological Bath Oil	(200ml)
(a)	Emmolate Bath Oil	(200ml)
(a)	Emulsiderm Emollient	(300ml and 1 litre)
(b)	Exorex Lotion	(100ml and 250ml)
(b)	Gelcosal Gel	(50g)
(b)	Gelcotar Gel	(50g and 500g)
(b)	Gelcotar Liquid	(150ml and 350ml)
(a)	Hydromol Emollient	(150ml, 350ml, 500ml and 1 litre)
(c)	Keri Therapeutic Lotion	(190ml and 380ml pump packs)
(a)	Imuderm Therapeutic Oil	(250ml)
(a)	Infaderm Therapeutic Oil	(250ml)
(c)	Lacticare Lotion	(150ml)
(c)	Meted Shampoo	(120ml)

---

**REQUIREMENTS ENABLING PAYMENTS TO BE MADE FOR THE SUPPLY OF DRUGS,  
APPLIANCES AND CHEMICAL REAGENTS**

---

**Products included in Clause 10B(iii) are listed below.**

Liquid preparations for external use:

SubPara	Name	Pack(s)
(a)	Oilatum Bath Formula	(150ml and 300ml)
(a)	Oilatum Emollient	(250ml and 500ml)
(a)	Oilatum Emollient, Fragrance Free	(500ml)
(a)	Oilatum Junior Bath Formula	(150ml and 300ml)
(a)	Oilatum Junior Emollient (Bath Oil) (Fragrance Free)	(250ml, 500ml and 1 litre)
(a)	Oilatum Junior Flare-Up Bath Treatment	(150ml)
(a)	Oilatum Plus Emollient	(500ml and 1 litre)
(a)	Pinetarsol Bath Oil	(200ml and 500ml)
(a)	Pinetarsol Solution	(200ml and 500ml)
(a)	Pinetarsol Gel	(100g)
(b)	Pentrax Shampoo	(120ml)
(b)	Polytar AF Liquid	(150ml and 250ml)
(b)	Polytar Emollient	(350ml and 500ml)
(b)	Polytar Liquid	(150ml, 250ml and 500ml)
(b)	Polytar Plus (Scalp Cleanser)	(350ml and 500ml)
(b)	Pragmatar Cream	(25g and 100g)
(b)	Psorin Ointment	(50g and 100g)
(b)	Psoriderm Bath Emulsion	(200ml)
(b)	Psoriderm Cream	(225ml)
(b)	Psoriderm Scalp Lotion Shampoo	(250ml)
(c)	Quellada-M Cream Shampoo	(40g)
(a)	Quellada-M Liquid (Aqueous)	(50ml and 200ml)
(c)	Quinoderm Lotion-Gel 5%	(30ml)
(c)	Selsun Suspension	(50ml, 100ml and 150ml)
(a)	Ster-Zac Bath Concentrate	(28.5ml)
(b)	T-Gel Shampoo	(125ml and 250ml)
(b)	T-Gel Shampoo Anti-Dandruff	(125ml and 250ml)



---

**PROFESSIONAL FEES (PHARMACY CONTRACTORS)**


---



---

**See Part II, Clause 6A (ii) (page 5)**

---

	*Fee per prescription p	Endorsements required by contractors
<p>* Endorsements under this heading apply only to claims for the appropriate professional fee. The endorsement codes to be used are:            ED=Extemporaneously Dispensed            MF= Measured and Fitted            Further endorsement may be necessary for other purposes eg Part II "CLAUSE 8 BASIC PRICE,            "CLAUSE 9 ENDORSEMENT REQUIREMENTS and Notes to Part VIII (page 53)</p>		
1. <b>ALL PRESCRIPTIONS</b> attract a Professional Fee with a value of:	90	NIL
2. <b>ADDITIONAL FEES:</b>		
A. PREPARATIONS WHEN EXTEMPORANEOUSLY DISPENSED AND ENDORSED		
(a) Liquids being 'special formula preparations' e.g. mixtures, lotions, nasal drops (not including dilutions)	155	ED
(b) Liquid preparations prepared by straightforward dilution (not including reconstitution)	85	ED
(c) Ointments, creams, pastes being 'special formula preparations' (not including dilutions)	310	ED
(d) Ointments, creams, pastes prepared by dilution or admixture of standard or proprietary ointments, creams and pastes	155	ED
B. APPLIANCES		
(a) Elastic Hosiery (Compression Hosiery) requiring measurement and endorsed "measured and fitted"	128	MF
(b) Trusses requiring measurement and endorsed "measured and fitted"	197	MF
C. Where liquid preparations extemporaneously dispensed are ordered by the prescriber to be supplied in more than one container, each extra quantity ordered	128	NIL
D. Where a preparation which requires the addition of a vehicle/diluent by the pharmacy contractor results in a liquid of stability of less than 14 days, and for pharmaceutical reasons necessitates supply in more than one container and the prescription form is endorsed with the number of extra quantities supplied, for each extra supply	155	Number of extra containers supplied

IIIA

---

**PROFESSIONAL FEES (PHARMACY CONTRACTORS)**

---

	*Fee per prescription p	Endorsements required by contractors
E. Where the prescription is for a Controlled Drug in Schedule 2 or 3 of the Misuse of Drugs Regulations 2001		
Schedule 2 drug	128	NIL
Schedule 3 drug	43	NIL

- F. Expensive Prescription Fee  
A fee equivalent to 2% of the net ingredient cost will be payable on all prescriptions over £100.

Note - Expensive Prescription Fee is not included in calculation of ESPS payments

---

**SCALE OF FEES (APPLIANCE CONTRACTORS)**


---



---

**See Part II, Clause 6B(iii) (page 6)**


---

		Fee per prescription p
1. APPLIANCES		
ELASTIC HOSIERY (Compression Hosiery)		
Anklets, Kneecaps, Leggings		13
Below-knee, Above-knee and Thigh Stockings		18
TRUSSES		
Spring	Single	50
	Double	78
Elastic Band	Single	23
	Double	30
Repairs		5
2. OTHER APPLIANCES		2


**IIIB**

---

**SCALE OF FEES (APPLIANCE CONTRACTORS)**

---

This Page is Intentionally Blank

---

**CONTAINERS**

---

---

**See Part II Clause 6A (iii)**

---

1. A Pharmacy Contractor shall supply in a **suitable container** any drug which he is required to supply under Part II of Schedule 2 to the Regulations.

Capsules, tablets, pills, pulvules etc shall be supplied in airtight containers of glass, aluminium or rigid plastics; card containers may be used only for foil/strip packed tablets etc.  
For ointments, creams, pastes, card containers shall not be used

Eye, ear and nasal drops shall be supplied in dropper bottles, or with a separate dropper where appropriate.

2. **Payment for containers** is at the average rate of **3.24p** per prescription for every prescription (except an oxygen prescription) supplied by contractors whether or not a container is supplied.

This payment includes provision for supply of a **5ml plastic measuring spoon** which shall comply with BS 3221:Part 6:1993 and shall be made with every oral liquid medicine except where the manufacturer's pack includes one. However, when the prescribed dose is not 5ml or whole multiples of 5ml, and the pack does not already contain a suitable measuring device, a 5ml plastics oral syringe measure, wrapped together with a bottle adaptor and instruction leaflet, shall be supplied. This shall comply with BS 3221: Part 7: 1993, or an equivalent European Standard.

In very exceptional circumstances, or where specifically requested by the prescriber dilution may still take place. The prescription should be endorsed accordingly.

3. Payment for containers is payable to pharmacy contractors only.

**IV**

---

**CONTAINERS**

---

This Page is Intentionally Blank

**DEDUCTION SCALE (PHARMACY CONTRACTORS)**

(Revised with effect from 1st September 2003)  
See Part II Clause 6A(i) (b) (page 5)

Monthly Total of Prices £		Deduction Rate %	Monthly Total of Prices £		Deduction Rate %	Monthly Total of Prices £		Deduction Rate %
From	To		From	To		From	To	
1	125	5.93	5626	5750	6.95	11251	11375	7.97
126	250	5.95	5751	5875	6.97	11376	11500	7.99
251	375	5.98	5876	6000	6.99	11501	11625	8.01
376	500	6.00	6001	6125	7.02	11626	11750	8.04
501	625	6.02	6126	6250	7.04	11751	11875	8.06
626	750	6.04	6251	6375	7.06	11876	12000	8.08
751	875	6.07	6376	6500	7.09	12001	12125	8.10
876	1000	6.09	6501	6625	7.11	12126	12250	8.13
1001	1125	6.11	6626	6750	7.13	12251	12375	8.15
1126	1250	6.13	6751	6875	7.15	12376	12500	8.17
1251	1375	6.16	6876	7000	7.18	12501	12625	8.19
1376	1500	6.18	7001	7125	7.20	12626	12750	8.22
1501	1625	6.20	7126	7250	7.22	12751	12875	8.24
1626	1750	6.22	7251	7375	7.24	12876	13000	8.26
1751	1875	6.25	7376	7500	7.27	13001	13125	8.29
1876	2000	6.27	7501	7625	7.29	13126	13250	8.31
2001	2125	6.29	7626	7750	7.31	13251	13375	8.33
2126	2250	6.32	7751	7875	7.33	13376	13500	8.35
2251	2375	6.34	7876	8000	7.36	13501	13625	8.38
2376	2500	6.36	8001	8125	7.38	13626	13750	8.40
2501	2625	6.38	8126	8250	7.40	13751	13875	8.42
2626	2750	6.41	8251	8375	7.42	13876	14000	8.44
2751	2875	6.43	8376	8500	7.45	14001	14125	8.47
2876	3000	6.45	8501	8625	7.47	14126	14250	8.49
3001	3125	6.47	8626	8750	7.49	14251	14375	8.51
3126	3250	6.50	8751	8875	7.52	14376	14500	8.53
3251	3375	6.52	8876	9000	7.54	14501	14625	8.56
3376	3500	6.54	9001	9125	7.56	14626	14750	8.58
3501	3625	6.56	9126	9250	7.58	14751	14875	8.60
3626	3750	6.59	9251	9375	7.61	14876	15000	8.63
3751	3875	6.61	9376	9500	7.63	15001	15125	8.65
3876	4000	6.63	9501	9625	7.65	15126	15250	8.67
4001	4125	6.65	9626	9750	7.67	15251	15375	8.69
4126	4250	6.68	9751	9875	7.70	15376	15500	8.72
4251	4375	6.70	9876	10000	7.72	15501	15625	8.74
4376	4500	6.72	10001	10125	7.74	15626	15750	8.76
4501	4625	6.75	10126	10250	7.76	15751	15875	8.78
4626	4750	6.77	10251	10375	7.79	15876	16000	8.81
4751	4875	6.79	10376	10500	7.81	16001	16125	8.83
4876	5000	6.81	10501	10625	7.83	16126	16250	8.85
5001	5125	6.84	10626	10750	7.86	16251	16375	8.87
5126	5250	6.86	10751	10875	7.88	16376	16500	8.90
5251	5375	6.88	10876	11000	7.90	16501	16625	8.92
5376	5500	6.90	11001	11125	7.92	16626	16750	8.94
5501	5625	6.93	11126	11250	7.95	16751	16875	8.96

V

**DEDUCTION SCALE (PHARMACY CONTRACTORS)**

Monthly Total of Prices £		Deduction Rate %	Monthly Total of Prices £		Deduction Rate %	Monthly Total of Prices £		Deduction Rate %
From	To		From	To		From	To	
16876	17000	8.99	23001	23125	10.10	40501	41000	10.60
17001	17125	9.01	23126	23375	10.12	41001	41750	10.61
17126	17250	9.03	23376	23625	10.13	41751	42250	10.62
17251	17375	9.06	23626	24000	10.14	42251	43000	10.63
17376	17500	9.08	24001	24250	10.15	43001	43750	10.64
17501	17625	9.10	24251	24625	10.16	43751	44250	10.65
17626	17750	9.12	24626	24875	10.17	44251	45000	10.66
17751	17875	9.15	24876	25250	10.18	45001	45500	10.67
17876	18000	9.17	25251	25500	10.19	45501	46250	10.68
18001	18125	9.19	25501	25875	10.20	46251	46750	10.69
18126	18250	9.21	25876	26125	10.21	46751	47500	10.70
18251	18375	9.24	26126	26375	10.22	47501	48250	10.71
18376	18500	9.26	26376	26750	10.23	48251	48750	10.72
18501	18625	9.28	26751	27000	10.24	48751	49500	10.73
18626	18750	9.30	27001	27375	10.25	49501	50000	10.74
18751	18875	9.33	27376	27625	10.26	50001	50750	10.75
18876	19000	9.35	27626	28000	10.27	50751	51250	10.76
19001	19125	9.37	28001	28250	10.28	51251	52000	10.77
19126	19250	9.40	28251	28625	10.29	52001	52750	10.78
19251	19375	9.42	28626	28875	10.30	52751	53250	10.79
19376	19500	9.44	28876	29250	10.31	53251	54000	10.80
19501	19625	9.46	29251	29500	10.32	54001	54500	10.81
19626	19750	9.49	29501	29875	10.33	54501	55250	10.82
19751	19875	9.51	29876	30125	10.34	55251	55750	10.83
19876	20000	9.53	30126	30500	10.35	55751	56500	10.84
20001	20125	9.55	30501	30750	10.36	56501	57250	10.85
20126	20250	9.58	30751	31125	10.37	57251	57750	10.86
20251	20375	9.60	31126	31375	10.38	57751	58500	10.87
20376	20500	9.62	31376	31750	10.39	58501	59000	10.88
20501	20625	9.64	31751	32000	10.40	59001	59750	10.89
20626	20750	9.67	32001	32375	10.41	59751	60250	10.90
20751	20875	9.69	32376	32625	10.42	60251	61000	10.91
20876	21000	9.71	32626	32875	10.43	61001	61750	10.92
21001	21125	9.73	32876	33250	10.44	61751	62250	10.93
21126	21250	9.76	33251	33500	10.45	62251	63000	10.94
21251	21375	9.78	33501	33875	10.46	63001	63500	10.95
21376	21500	9.80	33876	34125	10.47	63501	64250	10.96
21501	21625	9.83	34126	34500	10.48	64251	64750	10.97
21626	21750	9.85	34501	34750	10.49	64751	65500	10.98
21751	21875	9.87	34751	35125	10.50	65501	66250	10.99
21876	22000	9.89	35126	35375	10.51	66251	66750	11.00
22001	22125	9.92	35376	36000	10.52	66751	67500	11.01
22126	22250	9.94	36001	36500	10.53	67501	68000	11.02
22251	22375	9.96	36501	37250	10.54	68001	68750	11.03
22376	22500	9.98	37251	37750	10.55	68751	69250	11.04
22501	22625	10.01	37751	38500	10.56	69251	70000	11.05
22626	22750	10.03	38501	39250	10.57	70001	70750	11.06
22751	22875	10.05	39251	39750	10.58	70751	71250	11.07
22876	23000	10.07	39751	40500	10.59	71251	72000	11.08



## DEDUCTION SCALE (PHARMACY CONTRACTORS)

Monthly Total of Prices £		Deduction Rate %	Monthly Total of Prices £		Deduction Rate %	Monthly Total of Prices £		Deduction Rate %
From	To		From	To		From	To	
72001	72500	11.09	101501	102000	11.58	127001	127500	12.07
72501	73250	11.10	102001	102750	11.59	127501	128000	12.08
73251	73750	11.11	102751	103250	11.60	128001	128500	12.09
73751	74500	11.12	103251	103750	11.61	128501	129000	12.10
74501	75250	11.13	103751	104250	11.62	129001	129500	12.11
75251	75750	11.14	104251	104750	11.63	129501	130000	12.12
75751	76500	11.15	104751	105250	11.64	130001	130500	12.13
76501	77000	11.16	105251	105750	11.65	130501	131000	12.14
77001	77750	11.17	105751	106250	11.66	131001	131500	12.15
77751	78250	11.18	106251	106750	11.67	131501	132000	12.16
78251	79000	11.19	106751	107250	11.68	132001	132500	12.17
79001	79750	11.20	107251	107750	11.69	132501	133000	12.18
79751	80250	11.21	107751	108250	11.70	133001	133500	12.19
80251	81000	11.22	108251	108750	11.71	133501	134000	12.20
81001	81500	11.23	108751	109250	11.72	134001	134750	12.21
81501	82250	11.24	109251	109750	11.73	134751	135250	12.22
82251	82750	11.25	109751	110500	11.74	135251	135750	12.23
82751	83500	11.26	110501	111000	11.75	135751	136250	12.24
83501	84250	11.27	111001	111500	11.76	136251	136750	12.25
84251	84750	11.28	111501	112000	11.77	136751	137250	12.26
84751	85500	11.29	112001	112500	11.78	137251	137750	12.27
85501	86000	11.30	112501	113000	11.79	137751	138250	12.28
86001	86750	11.31	113001	113500	11.80	138251	138750	12.29
86751	87250	11.32	113501	114000	11.81	138751	139250	12.30
87251	88000	11.33	114001	114500	11.82	139251	139750	12.31
88001	88750	11.34	114501	115000	11.83	139751	140250	12.32
88751	89250	11.35	115001	115500	11.84	140251	140750	12.33
89251	90000	11.36	115501	116000	11.85	140751	141250	12.34
90001	90500	11.37	116001	116500	11.86	141251	141750	12.35
90501	91250	11.38	116501	117000	11.87	141751	142500	12.36
91251	91750	11.39	117001	117500	11.88	142501	143000	12.37
91751	92500	11.40	117501	118000	11.89	143001	143500	12.38
92501	93250	11.41	118001	118750	11.90	143501	144000	12.39
93251	93750	11.42	118751	119250	11.91	144001	144500	12.40
93751	94500	11.43	119251	119750	11.92	144501	145000	12.41
94501	95000	11.44	119751	120250	11.93	145001	145500	12.42
95001	95500	11.45	120251	120750	11.94	145501	146000	12.43
95501	96000	11.46	120751	121250	11.95	146001	146500	12.44
96001	96500	11.47	121251	121750	11.96	146501	147000	12.45
96501	97000	11.48	121751	122250	11.97	147001	147500	12.46
97001	97500	11.49	122251	122750	11.98	147501	148000	12.47
97501	98000	11.50	122751	123250	11.99	148001	148500	12.48
98001	98500	11.51	123251	123750	12.00	148501	149000	12.49
98501	99000	11.52	123751	124250	12.01	149001	149500	12.50
99001	99500	11.53	124251	124750	12.02	149501	150000	12.51
99501	100000	11.54	124751	125250	12.03	150001	& above	12.52
100001	100500	11.55	125251	125750	12.04			
100501	101000	11.56	125751	126500	12.05			
101001	101500	11.57	126501	127000	12.06			

v

---

**DEDUCTION SCALE (PHARMACY CONTRACTORS)**

---

This Page is Intentionally Blank

**PAYMENT FOR ESSENTIAL SERVICES (PHARMACY CONTRACTORS)****1. Establishment Payments**

- 1.1 Pharmacy contractors who dispense 2,000 prescription items or more in any month will receive an Establishment Payment from 1 April 2005. The Establishment Payment will be paid monthly, calculated as 1/12<sup>th</sup> of the annual payment, on the basis of the number of prescription items submitted, and reimbursed by the Pricing Authority, in the relevant month.
- 1.2 The annual Establishment Payments are set out in the table below:

Number of items per month	Annual Establishment Payment £
2,000 - 2,249	£20,000
2,250 - 2,499	£20,911
2,500+	£21,821

VIA

- 1.3 Where total monthly payments in relation to prescriptions passed for pricing between 1 April and 31 March in any year are less than the amount which would have been paid had the payment been calculated on an annual basis, pharmacy contractors may make a claim for a top up payment to their PCT for England and LHB for Wales. This should take account of any Protected Professional Allowance Payment made, such that pharmacy contractors do not receive both an Establishment Payment and a Protected Professional Allowance Payment for the same month. They should submit, by the following 30 November, copies of FP34 statements for the relevant period (April to March) as evidence of the total number of prescription items passed for pricing during this period.

**2. Practice Payments**

- 2.1 All pharmacy contractors will receive a Practice Payment from 1 April 2005. Practice payments will be paid monthly, calculated, subject to 2.3 to 2.5 below, as 1/12<sup>th</sup> of the annual payment, on the basis of the number of prescription items submitted, and reimbursed by the Pricing Authority, in the relevant month.
- 2.2 The Practice Payment, which includes a contribution for provision of auxiliary aids for people eligible under the Disability Discrimination Act 1995 (DDA), are set out in the table below:

Number of items per month	Total Practice Payment Level	Contribution in Practice Payment for DDA
Up to 1,099	£500 per annum	£500 per annum
1,100 - 1,599	£3,000 per annum	£1,000 per annum
1,600 - 1,999	£4,250 per annum	£1,250 per annum
2,000+	29.7p per item	5.5p per item

**PAYMENT FOR ESSENTIAL SERVICES (PHARMACY CONTRACTORS)**

- 2.3 From 1 October 2005, in order to receive the full Practice Payment pharmacy contractors must have, and must have declared to the Pricing Authority on the appropriate claim form for the relevant month minimum dispensing staff levels as set out in the table below.

Number of items per month	Minimum dispensing staff level (Hours per week)*
2,000 - 3,499	40 hours
3,500 - 4,999	56 hours
5,000 - 6,499	75 hours
6,500 - 7,999	94 hours
8,000 - 9,499	112 hours
9,500 - 10,999	131 hours
11,000**	150 hours

\* Dispensing staff include: a pharmacist; a non-practising pharmacist working as a dispenser; a pre-registration trainee (only half of the pre-registration trainees hours should be counted for this purpose) or an assistant trained to undertake the functions being performed. Where a staff member has multiple roles, only the number of hours spent supporting the dispensing process may be counted in the staffing declaration.

In determining the dispensing staff level to declare on the appropriate claim form the number of hours should be rounded as follows:  
0.5 or less round down to the nearest whole number of hours  
Above 0.5 round up to the nearest whole number of hours.

\*\*Pharmacy Contractors will be required to employ a staff member for an extra 19 hours per week for each additional 1,500 items the pharmacy contractor dispensed per month above 11,000 items.

- 2.4 From 1 October 2005, where for any month a pharmacy contractor has declared to the Pricing Authority dispensing staff levels lower than those set out in the table in 2.3 above, the Practice Payment for the relevant month will be paid at the level that would be paid if the pharmacy only dispensed the number of items at the lowest level in the band that corresponds in the above table to its declared dispensing staff levels. (Example: A pharmacy contractor dispensing 7,000 prescription items a month who employs dispensing staff for only 75 hours per week, including a pharmacist, would receive the Practice Payment for 5,000 prescriptions items per month, ie  $5,000 \times 29.7p = \pounds 1,485$ .)
- 2.5 From 1 October 2005, where for any month a pharmacy contractor has not declared dispensing staff levels to the Pricing Authority, the Practice Payment for the relevant month will be paid at the minimum level (i.e. 1/12<sup>th</sup> of £500).
- 2.6 Subject to 2.6.1 and 2.6.2, where total monthly payments in relation to prescriptions passed for pricing between 1 April and 31 March in any year are less than the amount which would have been paid had the payment been calculated on an annual basis, pharmacy contractors may make a claim for a top up payment to their PCT for England and LHB for Wales. They should submit, by the following 30 November, copies of FP/WP34 statements for the relevant period (April to March) as evidence of the total number of prescription items passed for pricing during this period.
- 2.6.1 Where, in any month, Practice Payments were paid at a lower level because minimum dispensing staff levels were not met, those months shall be disregarded (in terms of both the number of items passed for pricing and the payments received) when calculating the amount of any top up payment which may be payable.

**PAYMENT FOR ESSENTIAL SERVICES (PHARMACY CONTRACTORS)**

- 2.6.2 Where, in any month, Practice Payments were paid at a lower level because a pharmacy contractor did not declare dispensing staff levels, those months shall be disregarded (in terms of both the number of items passed for pricing and the payments received) when calculating the amount of any top up payment which may be payable, unless the pharmacy contractor can satisfy their PCT for England and LHB for Wales that their dispensing staff levels were sufficient in respect of the table in 2.3 for the relevant month.
3. **Protected Professional Allowance Payments**
- 3.1 From 1 April 2005, where in any month a pharmacy:
- 3.1.1 is providing as a minimum Schedule 1 (Terms of Service) of the NHS (Pharmaceutical Services) Regulations 2005 (subject to transitional arrangements in respect of their terms of service Part 6 Regulation 74) and the National Health Service (Pharmaceutical Services)(Amendment)(Wales) Regulations 2005;
- 3.1.2 received, at any time during the year ending 31 March 2005, the "Payment for Additional Professional Services" as set out in the Drug Tariff Part VIA at that time; and
- 3.1.3 dispenses at least 1,100, but less than 2,000 prescription items;
- the pharmacy contractor will, subject to 3.2 below, be entitled to be paid a Protected Professional Allowance calculated in accordance with paragraph 3.3
- 3.2 Such pharmacy contractors will only be entitled to continue to receive this payment until 31 March 2008 or such time as the pharmacy ceases to provide services, whichever is the earlier.
- 3.3 The basis of calculation for the Protected Professional Allowance payment is as follows:  
Pharmacy contractors who have had passed for payment by the Pricing Authority between 1,100 and 1,600 prescriptions in the relevant month will receive a payment of £775 (at 1,100 prescriptions) rising to £1,500 (at 1,600 or more prescriptions).
4. **Repeat Dispensing**
- 4.1 All pharmacy contractors will receive a repeat dispensing annual payment of £1,500 from 1 April 2005. The payment will be paid monthly calculated as 1/12<sup>th</sup> of the annual payment (£125 per month).
- 4.2 Pharmacists undertaking repeat dispensing should undertake appropriate training. Appropriate training for these purposes includes successful completion of the Centre for Pharmacy Postgraduate Education's (CPPE) open learning programme 'From pathfinder to practice'. For pharmacists in Wales, suitable training would be 'Repeat Dispensing', a programme available from the Welsh Centre for Postgraduate Pharmaceutical Education.
5. **Transitional Payment**
- 5.1 All pharmacy contractors will receive Transitional Payments from 1 April 2005. Transitional Payments will be paid monthly on the basis of the number of prescription items submitted and reimbursed by the Pricing Authority, in the relevant month.

Number of items per month	Payment
1 - 500	£38.50
501 - 1,000	£77.00
1,001 - 1,500	£115.50
Rising in bands of 500	Increased by £38.50 each band

---

**PAYMENT FOR ESSENTIAL SERVICES (PHARMACY CONTRACTORS)**

---

**6. Electronic Transmission of Prescriptions Allowances**

- 6.1 The Electronic Prescription Service will be deployed in phases with two releases (Release 1 and Release 2) of ETP Compliant pharmacy systems. Further details of service implementation and deployment can be found at [www.cfh.nhs.uk](http://www.cfh.nhs.uk).
- 6.2 In order to be able to use the Electronic Prescription Service pharmacy contractors will need to have
- an ETP compliant pharmacy system accredited as such by NHS Connecting for Health (either Release 1 or Release 2)
  - appropriate network connectivity to be able to operate the Electronic Prescription Service (details of connectivity arrangements for community pharmacies will be made available by NHS Connecting for Health)
  - staff operating the service who are registered users and have been issued with smart cards and PIN numbers by their PCT's Registration Authority.
- 6.3 All pharmacy contractors will be paid two allowances of £1,300 (ie a total of £2,600 with one payment of £1,300 in December 2005 **and** one in February 2006). These allowances are linked to a pharmacy deploying Release 1 of the Electronic Prescription Service. If the pharmacy has not deployed Release 1 of the service (by a date as yet to be determined of which three months notice will be given), the PCT will be able to reclaim these allowances from the pharmacy contractor through a deduction via the monthly schedule of payments.
- 6.4 A further allowance of £1,000 will be paid in 2006/07 linked to the pharmacy deploying Release 2 of the Electronic Prescription Service. If the pharmacy has not deployed Release 2 of the service (by a date as yet to be determined of which three months notice will be given), the PCT will be able to reclaim this allowance from the pharmacy contractor through a deduction via the monthly schedule of payments.
- 6.5 When the Pharmacy Contractor is able to operate the Electronic Prescription Service if an appropriate prescription is presented or requested, the pharmacy can claim £200/month from the PCT. This will need to be done via form PPAETP1 (available at [www.ppa.nhs.uk](http://www.ppa.nhs.uk)) (Gateway reference PPA-05-007). If at a later date the pharmacy contractor becomes unable to operate the Electronic Prescription Service, they must inform the PCT in writing immediately so that payment of this ongoing allowance is stopped.

---

**PAYMENT FOR ESSENTIAL SERVICES (PHARMACY CONTRACTORS)**

---

**Electronic Transfer of Prescriptions (Wales)****IM&T Allowances for Community Pharmacy Contractors**

The delivery of the IM&T component of the Pharmacy contract will be a phased approach ensuring alignment to the overall strategic IM&T direction for Wales.

It should be acknowledged that there are parallel strategic developments within England and Wales in relation to technical architecture that underpins the 'NHS Care Records Service' (England) and the 'Individual Health Record' (Wales). This therefore means that, at present, some components of the Pharmacy IM&T solutions accredited for England may not be applicable to Wales and may have to be modified or disabled until such time that Wales via the Pharmacy IM&T Project Board, has determined appropriate and comparable solutions.

In light of this, a pragmatic phased approach for the delivery of Pharmacy IM&T will take place. IM&T allowances for Pharmacy contractors will be released in line with these phases. These are as follows:

**VIA****Phase 1**

- a. Connecting Pharmacists to the NHS Wales network and associated services will be centrally funded and coordinated via the Primary Care IM&T Programme.
- b. Pharmacy based IT systems will need to be upgraded in terms of hardware and software primarily to take advantage of connectivity and associated services (e-mail, HOWIS etc) but also to facilitate improved internal business processes and patient care through enhanced software functionality. NB elements of software accredited for ETP in England (Release 1) may have to be modified or disabled. Pharmacy System Suppliers and Pharmacy Contractors will be notified of this (date as yet to be determined).

**Phase 2**

Once appropriate and comparable solutions have been determined to deliver Electronic Transfer of Prescriptions in Wales, functional requirements will be specified for implementation by software suppliers. It is anticipated that initial deployment of Phase 2 will commence during 2006/7.

**Allowances**

All Pharmacy Contractors will be paid two allowances of £1,300 (ie a total of £2,600, with one payment of £1,300 in December 2005 **and** one in February 2006). These allowances are linked to a Pharmacy implementing Phase 1. If the Pharmacy has not implemented Phase 1(b) (by a date as yet to be determined of which three months notice will be given) the LHB will be able to reclaim these allowances from the pharmacy contractor through a deduction via the monthly schedule of payments.

A further allowance of £1,000 will be paid in 2006/07 linked to the Pharmacy deploying Phase 2. If the Pharmacy has not deployed Phase 2 (by a date as yet to be determined of which three months notice will be given) the LHB will be able to reclaim this allowance from the pharmacy contractor through a deduction via the monthly schedule of payments.

If the Pharmacy Contractor has not deployed Phase 2 (by a date as yet to be determined of which three months notice will be given) the Primary Care IM&T Programme reserves the right to withdraw connectivity funding.

**PAYMENT FOR ESSENTIAL SERVICES (PHARMACY CONTRACTORS)**

---

This Page is Intentionally Blank



## SCALE OF ON-COST ALLOWANCES (APPLIANCE CONTRACTORS)

See Part II Clause 6B(ii) (page 5)

Number of prescriptions dispensed during month		On-cost %	Number of prescriptions dispensed during month		On-cost %
From	To		From	To	
1	505	25.0	1036	1048	20.3
506	515	24.9	1049	1062	20.2
516	526	24.8	1063	1076	20.1
527	537	24.7	1077	1090	20.0
538	549	24.6	1091	1105	19.9
550	561	24.5	1106	1120	19.8
562	574	24.4	1121	1136	19.7
575	588	24.3	1137	1152	19.6
589	602	24.2	1153	1169	19.5
603	617	24.1	1170	1186	19.4
618	632	24.0	1187	1203	19.3
633	649	23.9	1204	1221	19.2
650	666	23.8	1222	1240	19.1
667	684	23.7	1241	1259	19.0
685	704	23.6	1260	1279	18.9
705	724	23.5	1280	1300	18.8
725	746	23.4	1301	1321	18.7
747	756	23.3	1322	1342	18.6
757	762	23.2	1343	1365	18.5
763	770	23.1	1366	1388	18.4
771	777	23.0	1389	1413	18.3
778	785	22.9	1414	1438	18.2
786	792	22.8	1439	1463	18.1
793	800	22.7	1464	1490	18.0
801	808	22.6	1491	1518	17.9
809	816	22.5	1519	1547	17.8
817	824	22.4	1548	1577	17.7
825	833	22.3	1578	1608	17.6
834	841	22.2	1609	1641	17.5
842	850	22.1	1642	1675	17.4
851	859	22.0	1676	1710	17.3
860	868	21.9	1711	1747	17.2
869	878	21.8	1748	1785	17.1
879	887	21.7	1786	1825	17.0
888	897	21.6	1826	1867	16.9
898	907	21.5	1868	1911	16.8
908	918	21.4	1912	1957	16.7
919	928	21.3	1958	2006	16.6
929	939	21.2	2007	2056	16.5
940	950	21.1	2057	2110	16.4
951	961	21.0	2111	2166	16.3
962	973	20.9	2167	2226	16.2
974	984	20.8	2227	2288	16.1
985	996	20.7	2289	2355	16.0
997	1009	20.6	2356	2425	15.9
1010	1022	20.5	2426	2500	15.8
1023	1035	20.4			

VIB

**SCALE OF ON-COST ALLOWANCES (APPLIANCE CONTRACTORS)**

---

This Page is Intentionally Blank

**ADVANCED SERVICES (PHARMACY CONTRACTORS)****MEDICINES USE REVIEW AND PRESCRIPTION INTERVENTION SERVICE**

1. The Medicines Use Review and Prescription Intervention Service forms part of the Advanced Services within the community pharmacy contractual framework. A payment of £23 per Medicines Use Review (MUR) is payable with effect from 1 April 2005 to all pharmacy contractors meeting the requirements for this service. These are set out below in the principal Directions to PCTs in England and to LHB's in Wales.
2. In England, for the year April 2005 to March 2006, payment will be made up to a maximum of 200 MURs per pharmacy, unless an arrangement has been entered into before 1 January 2006, in which case payment will be made up to a maximum of 250 MURs per pharmacy (see Amendment Directions below). In Wales, for the year April 2005 to March 2006, payment will be made up to a maximum of 200 MUR's per pharmacy.
3. Contractors will be paid monthly, via the Pricing Authority, on the basis of the number of MURs declared by the pharmacy to the Pricing Authority on the appropriate claim form in the relevant month.

**VIC****D I R E C T I O N S****THE NATIONAL HEALTH SERVICE ACT 1977****The Pharmaceutical Services (Advanced and Enhanced Services) (England) Directions 2005**

The Secretary of State for Health, in exercise of the powers conferred upon him by sections 17, 41A, 41B and 126(4) of the National Health Service Act 1977(1), and of all other powers enabling him in that behalf, hereby gives the following Directions:

**Citation, commencement and application**

1.—(1) These Directions may be cited as the Pharmaceutical Services (Advanced and Enhanced Services) (England) Directions 2005 and shall come into force on 1st April 2005.

(1) 1977 c.49. Section 17 of the 1977 Act is as substituted by the Health Act 1999 (c.8) ("the 1999 Act"), section 12(1), and thereafter amended by the Health and Social Care Act 2001 (c.15) ("the 2001 Act"), Schedule 5, paragraph 5(3), and the National Health Service Reform and Health Care Professions Act 2002 (c.17) ("the 2002 Act"), Schedule 1, paragraph 7. Section 41A of the 1977 Act was inserted into the 1977 Act by the National Health Service (Primary Care) Act 1997 (c. 46) ("the 1997 Act"), section 27(1); and has been amended by the 2001 Act, section 43(1) and the 2002 Act, Schedule 2, Part 1, paragraphs 1 and 14. Section 41B was inserted into the 1977 Act by the 1997 Act, section 28(1) and has been amended by the 2002 Act, Schedule 2, Part 1, paragraphs 1 and 15. Section 126(4) of the 1977 Act was amended by the National Health Service and Community Care Act 1990 (c.19), section 65(2). As regards Wales, the functions of the Secretary of State under the 1977 Act were transferred to the National Assembly for Wales by virtue of article 2 of, and Schedule 1 to, the National Assembly for Wales (Transfer of Functions) Order 1999 (S.I. 1999/672), as amended by section 66(5) of the 1999 Act and as read with section 40(1) of the 2002 Act.

**ADVANCED SERVICES (PHARMACY CONTRACTORS)**

(2) These Directions are given to Primary Care Trusts in England and apply in relation to England only.

**Interpretation****2. In these Directions—**

“the Act” means the National Health Service Act 1977;

“clinical management plan” has the same meaning as in the POM Order;

“drug misuser” means a person who is misusing drugs by self-injection;

“drugs” includes medicines;

“Drug Tariff” means the Drug Tariff published under regulation 56 (standards of, and payments for, drugs and appliances) of the Pharmaceutical Services Regulations;

“gluten free foods” means only those gluten free foods that are listed in Part XV (borderline substances) of the Drug Tariff;

“GMS contract essential services” has the meaning given to it in regulation 2(1) of the National Health Service (General Medical Services Contracts) Regulations 2004(2);

“health care professional” means a person who is a member of a profession regulated by a body mentioned in section 25(3) (the Council for the Regulation of Health Care Professionals) of the National Health Service Reform and Health Care Professions Act 2002(3);

“independent prescriber” means a doctor or dentist who is a party to a clinical management plan with a supplementary prescriber;

“MUR certificate” means a statement of satisfactory performance certificate awarded or endorsed by a higher education institute being evidence that he has satisfactorily completed an assessment relating to the competency framework for pharmacists providing MUR services approved by the Secretary of State(4);

“out of hours period” means, in relation to a pharmacy, the days and times at which the pharmacy is not obliged to remain open by virtue of paragraph 22(1) (pharmacy opening hours: general) of Schedule 1 (terms of service of pharmacists) to the Pharmaceutical Services Regulations;

“patient’s care record” means the patient records kept by the person or body who is providing the patient with GMS contract essential services or their equivalent;

“pharmaceutical essential services” has the same meaning as that given to essential services in the Pharmaceutical Services Regulations;

“pharmaceutical list” means a list referred to in regulation 4(1)(a) (preparation of lists) of the Pharmaceutical Services Regulations;

“Pharmaceutical Services Regulations” means the National Health Service (Pharmaceutical Services) Regulations 2005(5);

“pharmacist” means, except where the context otherwise requires—

(a) a registered pharmacist; or

(b) a person lawfully conducting a retail pharmacy business in accordance with section 69 (general provisions) of the Medicines Act 1968,

whose name is included in the pharmaceutical list of a Primary Care Trust (including a pharmacist who is suspended from such a list), but does not include a supplier of appliances only;

“pharmacy” has the meaning given to it in the Pharmaceutical Services Regulations;

(2) S.I. 2004/291. There are no relevant amendments.

(3) 2002 c.17.

(4) This document “Competency Framework for the Assessment of Pharmacists Providing the Medicines Use Review (MUR) and Prescription Intervention Service” dated 23rd December 2004 is published by the Department of Health on its website [www.dh.gov.uk/mpi](http://www.dh.gov.uk/mpi).

(5) S.I. 2005/641.

---

**ADVANCED SERVICES (PHARMACY CONTRACTORS)**


---

“the POM Order” means the Prescription Only Medicines (Human Use) Order 1997(6); and “supplementary prescriber” has the meaning given to it in the Pharmaceutical Services Regulations.

**Advanced Services: Medicines Use Review and Prescription Intervention Service**

3.—(1) Each Primary Care Trust shall make arrangements for the provision of medicines use review and prescription intervention services (“MUR services”) for persons within or outside its area with any pharmacist on its pharmaceutical list who—

- (a) meets the conditions set out in paragraphs (3), (4) and (5); and
- (b) wishes to enter into such arrangements or is required to do so by virtue of regulation 13(3) or 14 of the Pharmaceutical Services Regulations.

(2) The underlying purpose of MUR services is, with the patient’s agreement, to improve his knowledge and use of drugs by in particular—

- (a) establishing the patient’s actual use, understanding and experience of taking drugs;
- (b) identifying, discussing and assisting in the resolution of poor or ineffective use of drugs by the patient;
- (c) identifying side effects and drug interactions that may affect the patient’s compliance with instructions given to him by a health care professional for the taking of drugs; and
- (d) improving the clinical and cost effectiveness of drugs prescribed to patients thereby reducing the wastage of such drugs.

(3) The first condition is—

- (a) if the pharmacist is a registered pharmacist, that he has an MUR certificate;
- (b) if the pharmacist is a registered pharmacist, but he intends to employ or engage a registered pharmacist to provide MUR services, that that registered pharmacist has an MUR certificate; or
- (c) if the pharmacist is not a natural person, that any registered pharmacist that it intends to employ or engage to provide MUR services has an MUR certificate,

and the pharmacist has supplied a copy of such certificates to the Primary Care Trust prior to entering into an arrangement to provide MUR services.

(4) The second condition is that the pharmacy meets the following requirements, namely that it has a consultation area which—

- (a) must be a clearly designated area for confidential consultations which is distinct from the general public areas of the pharmacy; and
- (b) must be an area where both the person receiving MUR services and the registered pharmacist providing MUR services can sit down together and talk at normal speaking volumes without being overheard by other visitors to the pharmacy or by any other person, including pharmacy staff.

(5) Subject to direction 6(2), the third condition is that the pharmacist is satisfactorily complying with his obligation under Schedule 1 to the Pharmaceutical Services Regulations to provide pharmaceutical essential services and has an acceptable system of clinical governance.

(6) The Primary Care Trust shall ensure that the arrangements made pursuant to paragraph (1) provide that—

- (a) only a registered pharmacist who has an MUR certificate may perform MUR services;
- (b) MUR services that are provided in a pharmacy may only be provided from a consultation area that meets the requirements set out in paragraph (4) unless the pharmacy is closed to other members of the public in which case the consultation may take place in another part of the pharmacy provided the condition in paragraph (4)(b) is met;

---

(6) S.I. 1997/1830; relevant amending instruments are S.I. 2000/1917 and 2003/2915.

**ADVANCED SERVICES (PHARMACY CONTRACTORS)**

---

- (c) MUR services may be provided outside the pharmacy or exceptionally by telephone only where the Primary Care Trust consents;
  - (d) no more than 200 MUR services consultations may be carried out in each pharmacy (or outside it in accordance with subparagraph (c)) in any one period of twelve months under the arrangements;
  - (e) an MUR service consultation shall not be offered to a patient unless the patient has been receiving pharmaceutical services from the pharmacy for a period of at least three consecutive months;
  - (f) a patient may not have more than one MUR service consultation in any one period of twelve months unless in the reasonable opinion of the registered pharmacist the patient's circumstances have changed sufficiently to justify one or more further consultations during this period;
  - (g) where the Primary Care Trust has notified pharmacists in its area of the categories of patients who would benefit from the provision of MUR services, the pharmacist shall have regard to the notification in determining who to offer an MUR service consultation to;
  - (h) the pharmacist shall ensure that a written record of each MUR service consultation held with a patient is prepared by the registered pharmacist carrying out the consultation on a form approved for this purpose by the Secretary of State(7);
  - (i) the pharmacist shall be required to provide a copy of the record prepared pursuant to subparagraph (h) to the patient and to a person with whom the patient is registered for the provision of GMS contract essential services or their equivalent;
  - (j) the pharmacist shall keep a copy of the record prepared pursuant to subparagraph (h) for such period as the Primary Care Trust may reasonably require; and
  - (k) the arrangements shall be terminated where after 1st October 2005 the pharmacist is not satisfactorily complying with his obligation under Schedule 1 to the Pharmaceutical Services Regulations to provide pharmaceutical essential services and to have an acceptable system of clinical governance.
- (7) The record referred to in paragraph (6)(h) may be in the form of an electronic record and may be sent or stored electronically.

**Enhanced services**

4.—(1) Each Primary Care Trust is authorised to arrange for the provision of the following additional pharmaceutical services to persons within or outside its area with pharmacists included in its pharmaceutical list or in the pharmaceutical list of a neighbouring Primary Care Trust—

- (a) an Anticoagulant Monitoring Service, the underlying purpose of which is for the pharmacist to test the patient's blood clotting time, review the results and adjust (or recommend the adjustment to) the anticoagulant dose accordingly;
- (b) a Care Home Service, the underlying purpose of which is for the pharmacist to provide advice and support to residents and staff in a care home relating to—
  - (i) the proper and effective ordering of drugs and appliances for the benefit of residents in the care home,
  - (ii) the clinical and cost effective use of drugs,
  - (iii) the proper and effective administration of drugs and appliances in the care home,
  - (iv) the safe and appropriate storage and handling of drugs and appliances, and
  - (v) the recording of drugs and appliances ordered, handled, administered, stored or disposed of;
- (c) a Disease Specific Medicines Management Service, the underlying purpose of which is for the pharmacist to advise on, support and monitor the treatment of patients with

---

(7) A copy of the form is published by the Department of Health on its website at [www.dh.gov.uk/mpi](http://www.dh.gov.uk/mpi).

---

**ADVANCED SERVICES (PHARMACY CONTRACTORS)**


---

- specified conditions, and where appropriate to refer the patient to another health care professional;
- (d) a Gluten Free Food Supply Service, the underlying purpose of which is for the pharmacist to supply gluten free foods to patients;
  - (e) a Home Delivery Service, the underlying purpose of which is for the pharmacist to deliver drugs and appliances to patients at their home;
  - (f) a Language Access Service, the underlying purpose of which is for the pharmacist to provide, either orally or in writing, advice and support to patients in a language understood by them relating to—
    - (i) drugs which they are using,
    - (ii) their health, and
    - (iii) general health matters relevant to them,
 and where appropriate referral to another health care professional;
  - (g) a Medication Review Service, the underlying purpose of which is for the pharmacist to—
    - (i) conduct a review of the drugs used by a patient, including on the basis of information and test results included in the patient's care record, with the objective of considering the continued appropriateness and effectiveness of the drugs for the patient,
    - (ii) advise and support a patient regarding his use of drugs including encouraging the active participation of the patient in decision making relating to his use of drugs, and
    - (iii) where appropriate, refer the patient to another health care professional;
  - (h) a Medicines Assessment and Compliance Support Service, the underlying purpose of which is for the pharmacist to—
    - (i) assess the knowledge of, compliance with and use of, drugs by vulnerable patients and patients with special needs, and
    - (ii) offer advice, support and assistance to vulnerable patients and patients with special needs regarding the use of drugs with a view to improving the patient's knowledge of, compliance with and use of, such drugs;
  - (i) a Minor Ailment Scheme, the underlying purpose of which is for the pharmacist to provide advice and support to eligible patients complaining of a minor ailment, and where appropriate to supply drugs to them for the treatment of the minor ailment;
  - (j) a Needle and Syringe Exchange Service, the underlying purpose of which is for the pharmacist to—
    - (i) provide sterile needles, syringes and associated materials to drug misusers,
    - (ii) receive from drug misusers used needles, syringes and associated materials, and
    - (iii) offer advice to drug misusers and where appropriate referral to another health care professional or a specialist drug treatment centre;
  - (k) an On Demand Availability of Specialist Drugs Service, the underlying purpose of which is for the pharmacist to ensure that patients or health care professionals have prompt access to specialist drugs;
  - (l) Out of Hours Services, the underlying purpose of which is for the pharmacist to dispense drugs and appliances in the out of hours period (whether or not for the whole of the out of hours period);
  - (m) a Patient Group Direction Service, the underlying purpose of which is for the pharmacist to supply a prescription only medicine to a patient under a Patient Group Direction;
  - (n) a Prescriber Support Service, the underlying purpose of which is for the pharmacist to support health care professionals who prescribe drugs, and in particular to offer advice on—
    - (i) the clinical and cost effective use of drugs,



---

**ADVANCED SERVICES (PHARMACY CONTRACTORS)**

---

- (ii) prescribing policies and guidelines, and
  - (iii) repeat prescribing;
  - (o) a Schools Service, the underlying purpose of which is for the pharmacist to provide advice and support to children and staff in schools relating to—
    - (i) the clinical and cost effective use of drugs in the school,
    - (ii) the proper and effective administration and use of drugs and appliances in the school,
    - (iii) the safe and appropriate storage and handling of drugs and appliances, and
    - (iv) the recording of drugs and appliances ordered, handled, administered, stored or disposed of;
  - (p) a Screening Service, the underlying purpose of which is for the pharmacist to—
    - (i) identify patients at risk of developing a specified disease or condition,
    - (ii) offer advice regarding testing for a specified disease or condition,
    - (iii) carry out such a test with the patient's consent, and
    - (iv) offer advice following a test and referral to another health care professional where appropriate;
  - (q) a Stop Smoking Service, the underlying purpose of which is for the pharmacist to—
    - (i) advise and support patients wishing to give up smoking, and
    - (ii) where appropriate, to supply appropriate drugs and aids;
  - (r) a Supervised Administration Service, the underlying purpose of which is for the pharmacist to supervise the administration of prescribed medicines in the pharmacy; and
  - (s) a Supplementary Prescribing Service, the underlying purpose of which is for the pharmacist who is a supplementary prescriber to implement with an independent prescriber a clinical management plan for a patient with that patient's agreement.
- (2) The Primary Care Trust shall ensure that the arrangements for the services referred to in paragraph (1) make provision for those services to be provided—
- (a) only by appropriately trained and qualified persons;
  - (b) in accordance with relevant national guidelines or standards;
  - (c) from premises that are suitable for the purpose; and
  - (d) using the appropriate or necessary equipment.

**Revocation**

5. The Directions to Health Authorities concerning arrangements for providing additional pharmaceutical services which came into force on 1<sup>st</sup> April 1999 are hereby revoked.

**Transitional provisions**

6.—(1) Any arrangements pursuant to the Directions referred to in direction 5 shall continue in effect for a period of twelve months beginning with the date of the coming into force of these Directions unless—

- (a) the pharmacist notifies the Primary Care Trust in writing that the arrangements should terminate before the end of this period, in which case the arrangements shall terminate on—
  - (i) the date specified by the pharmacist in his notice,
  - (ii) the date agreed with the Primary Care Trust, or
  - (iii) if no date is specified or agreed, on the last day of the calendar month following the giving of the notice;



---

**ADVANCED SERVICES (PHARMACY CONTRACTORS)**

---

- (b) the Primary Care Trust requests the pharmacist to enter into arrangements for a Care Home Service or Out of Hours Services pursuant to direction 4 and the pharmacist refuses such a request, in which case the arrangements shall terminate on the last day of the third calendar month following the date of the Primary Care Trust's request; or
  - (c) the arrangements would otherwise come to an end before this date, for example, because the pharmacist ceases to be included in the Primary Care Trust's pharmaceutical list.
- (2) Direction 3(5) shall not apply to any arrangement entered into before 1st October 2005.

Signed by authority of the Secretary of State for Health

*Jeannette Howe*  
31 March 2005

Department of Health  
A member of the Senior Civil Service

**VIC**

---

**ADVANCED SERVICES (PHARMACY CONTRACTORS)**

---

---

**D I R E C T I O N S**

---

**THE NATIONAL HEALTH SERVICE ACT 1977****The Pharmaceutical Services (Advanced and Enhanced Services) (England) (Amendment) Directions 2005**

The Secretary of State for Health, in exercise of the powers conferred upon him by sections 41A, 41B and 126(4) of the National Health Service Act 1977(a), and of all other powers enabling him in that behalf, hereby gives the following Directions:

**Citation, commencement, application and interpretation**

1.—(1) These Directions may be cited as the Pharmaceutical Services (Advanced and Enhanced Services) (England) (Amendment) Directions 2005 and shall come into force on 1st January 2006.

(2) These Directions are given to Primary Care Trusts in England and apply in relation to England only.

(3) In these Directions, “the principal Directions” means the Pharmaceutical Services (Advanced and Enhanced Services) (England) Directions 2005.

**Amendment to the principal Directions**

2. After direction 3(6) of the principal Directions (advanced services), insert—

“(6A) In a case where an arrangement has been entered into before 1st January 2006, paragraph (6)(d) shall apply as if for “200” there were substituted “250”.”.

Signed by authority of the Secretary of State for Health

*Jeannette Howe*

6 December 2005

Department of Health

A member of the Senior Civil Service

---

(a) 1977 c.49. Section 41A of the 1977 Act was inserted into the 1977 Act by the National Health Service (Primary Care) Act 1997 (c. 46) (“the 1997 Act”), section 27(1); and has been amended by the 2001 Act, section 43(1) and the National Health Service Reform and Health Care Professions Act 2002 (c.17) (“the 2002 Act”), Schedule 2, Part 1, paragraphs 1 and 14. Section 41B was inserted into the 1977 Act by the 1997 Act, section 28(1) and has been amended by the 2002 Act, Schedule 2, Part 1, paragraphs 1 and 15. Section 126(4) of the 1977 Act was amended by the National Health Service and Community Care Act 1990 (c.19), section 65(2). As regards Wales, the functions of the Secretary of State under the 1977 Act were transferred to the National Assembly for Wales by virtue of article 2 of, and Schedule 1 to, the National Assembly for Wales (Transfer of Functions) Order 1999 (S.I. 1999/672), as amended by section 66(5) of the 1999 Act and as read with section 40(1) of the 2002 Act.

---

**ADVANCED SERVICES (PHARMACY CONTRACTORS)**


---



---

**NATIONAL ASSEMBLY FOR WALES**


---



---

**D I R E C T I O N S**


---

**NATIONAL HEALTH SERVICE, WALES**
**The Pharmaceutical Services (Advanced and Enhanced Services) (Wales) Directions 2005**
**VIC**

The National Assembly for Wales in exercise of the powers conferred by sections 16BB(4), 41A, 41B and 126(4) of the National Health Service Act 1977(1) hereby gives the following Directions:

**Title, commencement and application**

1.—(1) The title of these Directions is the Pharmaceutical Services (Advanced and Enhanced Services) (Wales) Directions 2005 and will come into force on 5 May 2005.

(2) These Directions are given to Local Health Boards and apply in relation to Wales.

**2. In these Directions—**

“the Act” means the National Health Service Act 1977;

“clinical management plan” has the same meaning as in the POM Order;

“drug misuser” means a person who is misusing drugs by self-injection;

“drugs” includes medicines;

“Drug Tariff” means the Drug Tariff published under regulation 18 of the Pharmaceutical Services Regulations;

“gluten free foods” means only those gluten free foods that are listed in Part XV (borderline substances) of the Drug Tariff;

---

(1) 1977 c.49 (“the 1977 Act”); section 16BB(4) was inserted by the National Health Service Reform and Health Care Professions Act 2002 (c.17)(“the 2002 Act”), section 6(1). Date in force 10.10.02; see SI 2002/2532 and was amended by section 184 of and paragraphs 7 and 10 of Schedule 11 to the Health and Social Care (Community Health and Standards Act 2003 (c.43) (“the 2003 Act”).

Section 41A was inserted into the 1977 by the National Health Service (Primary Care) Act 1997 (c.46) (“the 1997 Act”), section 27(1); and has been amended by the Health and Social Care Act 2001 (c.15) (“the 2001 Act”), section 43(1)(b) and the 2002 Act, section 2(5) and Schedule 2, Part 1, paragraphs 1 and 14.

Section 41B was inserted into the 1977 Act by the 1997 Act, section 28(1) and has been amended by the 2002 Act, section 2(5) and Schedule 2, Part 1, paragraphs 1 and 15.

Section 126(4) was amended by the National Health Service and Community Care Act 1990 (c.19), section 65(2); and by the 2001 Act, section 67(1) and Schedule 5, Part 1, paragraphs 5(1) and 13(b), by the 2002 Act, section 6(3)(c) and by the Health and Social Care (Community Health and Standards) Act 2003 (c.43) (“the 2003 Act”), section 184 and Schedule 11, paragraphs 7 and 38.

The functions of the Secretary of State under sections 41A, 41B and 126(4) of the 1977 Act were transferred to the National Assembly for Wales by the National Assembly for Wales (Transfer of Functions) Order 1999, SI 1999/672, article 2 and Schedule 1, as amended by the 1999 Act, section 66(5), the 2001 Act, section 68(1), the 2002 Act, section 40(1) and by the 2003 Act, section 197(1).

---

**ADVANCED SERVICES (PHARMACY CONTRACTORS)**


---

“GMS contract essential services” has the meaning given to it in regulation 2(1) of the National Health Service (General Medical Services Contracts) (Wales) Regulations 2004(1);

“health care professional” means a person who is a member of a profession regulated by a body mentioned in section 25(3) (the Council for the Regulation of Health Care Professionals) of the National Health Service Reform and Health Care Professions Act 2002(2);

“independent prescriber” means a doctor or dentist who is a party to a clinical management plan with a supplementary prescriber;

“MUR certificate” means a statement of satisfactory performance awarded or endorsed by a higher education institute being evidence that a person has satisfactorily completed an assessment relating to the competency framework for chemists providing MUR services approved by the National Assembly for Wales;(3)

“out of hours period” means, in relation to a pharmacy, the days and times at which the pharmacy is not obliged to remain open by virtue of paragraph 21(1) (pharmacy opening hours: general) of Schedule 2 to the Pharmaceutical Services Regulations;

“patient’s care record” means the patient records kept by the person or body who is providing the patient with GMS contract essential services or their equivalent;

“pharmaceutical essential services” has the same meaning as that given to essential services in the Pharmaceutical Services Regulations;

“Pharmaceutical Services Regulations” means the National Health Service (Pharmaceutical Services) Regulations 1992(4);

“chemist” means, except where the context otherwise required—

- (a) a registered pharmacist; or
- (b) a person lawfully conducting a retail pharmacy business in accordance with section 69 (general provisions) of the Medicines Act 1968(5),

whose name is included in the pharmaceutical list of a Local Health Board (including a chemist who is suspended from such a list), but does not include a supplier of appliances only;

“pharmacy” has the meaning given to it in the Pharmaceutical Services Regulations;

“the POM Order” means the Prescription Only Medicines (Human Use) Order 1997(6); and

“supplementary prescriber” has the meaning given to it in the Pharmaceutical Services Regulations.

**Advanced Services: Medicines Use Review and Prescription Intervention Service**

3.—(1) Each Local Health Board must make arrangements for the provision of medicines use review and prescription intervention services (“MUR services”) for persons within or outside its area with any pharmacist on its pharmaceutical list who—

- (a) meets the conditions set out in paragraphs (3), (4) and (5); and
- (b) wishes to enter into such arrangements.

(2) The underlying purpose of MUR services is, with the patient’s agreement, to improve his or her knowledge and use of drugs by, in particular—

- (a) establishing the patient’s actual use, understanding and experience of taking drugs;
- (b) identifying, discussing and assisting in the resolution of poor or ineffective use of drugs by the patient;

---

(1) SI 2004/478 (W.48) to which there are no relevant amendments.

(2) 2002 c.17

(3) A copy of the document “Competency Framework for the Assessment of Pharmacists Providing the Medicines Use Review (MUR) and prescription intervention service” dated 19th April 2005 is available on the NHS Wales website – [www.wales.nhs.uk](http://www.wales.nhs.uk)

(4) SI 1992/662; for relevant amendments see SI 2005/1013 (W.67)

(5) 1968 c.67

(6) SI 1997/1839; relevant amending instruments are SI 2000/1917 and 2003/2915.

---

**ADVANCED SERVICES (PHARMACY CONTRACTORS)**


---

- (c) identifying side effects and drug interactions that may affect the patient's compliance with instructions given to him or her by a health care professional for the taking of drugs; and
  - (d) improving the clinical and cost effectiveness of drugs prescribed to patients thereby reducing the wastage of such drugs.
- (3) The first condition is—
- (a) if the chemist is a registered pharmacist, that he or she has an MUR certificate;
  - (b) if the chemist is a registered pharmacist, but he or she intends to employ or engage a registered pharmacist to provide MUR services, that that registered pharmacist has an MUR certificate;
  - (c) if the chemist is not a natural person, that any registered pharmacist that it intends to employ or engage to provide MUR services has an MUR certificate,
- and the chemist has supplied a copy of the relevant certificates to the Local Health Board prior to entering into an arrangement to provide MUR services.
- (4) The second condition is that the pharmacy meets the following requirements, namely that it has a consultation area which—
- (a) must be a clearly designated area for confidential consultations which is distinct from the general public areas of the pharmacy; and
  - (b) must be an area where both the person receiving MUR services and the registered pharmacist providing MUR services can sit down together and talk at normal speaking volumes without being overheard by other visitors to the pharmacy or by any other person, including pharmacy staff.
- (5) Subject to direction 6(2), the third condition is that the chemist is satisfactorily complying with his or her obligation under Schedule 2 to the Pharmaceutical Services Regulations to provide pharmaceutical essential services and has a system of clinical governance that is acceptable.
- (6) The Local Health Board must ensure that the arrangements made pursuant to paragraph (1) provide—
- (a) only a registered pharmacist who has an MUR certificate may perform MUR services;
  - (b) MUR services that are provided in a pharmacy may only be provided from a consultation area that meets the requirements set out in paragraph (4) unless the pharmacy is closed to other members of the public in which case the consultation may take place in another part of the pharmacy provided that the condition in paragraph (4)(b) is met;
  - (c) MUR services may be provided outside the pharmacy or exceptionally by telephone only where the Local Health Board consents;
  - (d) no more than 200 MUR services consultations may be carried out in each pharmacy (or outside it in accordance with sub-paragraph (c)) in any one period of twelve months under the arrangements;
  - (e) an MUR service consultation must not be offered to a patient unless the patient has been receiving pharmaceutical services from the pharmacy for a period of at least three consecutive months;
  - (f) a patient may not have more than one MUR service consultation in any one period of twelve months unless in the reasonable opinion of the registered pharmacist the patient's circumstances have changed sufficiently to justify one or more further consultations during this period;
  - (g) where the Local Health Board has notified chemists in its area of the categories of patients who would benefit from the provision of MUR services, the chemist must have regard to the notification in determining to whom to offer a MUR service consultation;

VIC

---

**ADVANCED SERVICES (PHARMACY CONTRACTORS)**

---

- (h) the chemist must ensure that a written record of each MUR service consultation held with a patient is prepared by the registered pharmacist carrying out the consultation on a form approved by the National Assembly for Wales(1);
- (i) the chemist must provide a copy of the record prepared pursuant to sub-paragraph (h) to the patient and to a person with whom the patient is registered for the provision of GMS contract essential services or their equivalent;
- (j) the chemist must keep a copy of the record prepared pursuant to sub-paragraph (h) for such period as the Local Health Board may reasonable require; and
- (k) the arrangements will be terminated where after 1 October 2005 the chemist is not satisfactorily complying with his or her obligation under Schedule 2 to the Pharmaceutical Services Regulations to provide pharmaceutical essential services and to have an acceptable system of clinical governance.

**Enhanced services**

4.—(1) Each Local Health Board is authorised to arrange for the provision of the following additional pharmaceutical services to persons within or outside its area with chemists included in its pharmaceutical list or in the pharmaceutical list of a neighbouring Local Health Board—

- (a) an Anticoagulant Monitoring Service, the underlying purpose of which is for the chemist to test the patient's blood clotting time, review the results and adjust (or recommend an adjustment to) the anticoagulant dose accordingly;
- (b) a Care Home Service, the underlying purpose of which is for the chemist to provide advice and support to residents and staff in a care home relating to—
  - (i) the proper and effective ordering of drugs and appliances for the benefit of residents in the care home,
  - (ii) the clinical and cost effective use of drugs,
  - (iii) the proper and effective administration of drugs and appliances in the care home,
  - (iv) the safe and appropriate storage and handling of drugs and appliances, and
  - (v) the recording of drugs and appliances ordered, handled, administered, stored or disposed of;
- (c) a Disease Specific Management Service, the underlying purpose of which is for the chemist to advise on, support and monitor the treatment of patients with specified conditions, and where appropriate, to refer the patient to another health care professional;
- (d) a Gluten Free Food Supply service, the underlying purpose of which is for the chemist to supply gluten free foods to patients;
- (e) a Home Delivery Service, the underlying purpose of which is for the chemist to deliver drugs and appliances to patients at their home;
- (f) a Language Access Service, the underlying purpose of which is for the chemist to provide, either orally or in writing, advice and support to patients in a language understood by them relation to—
  - (i) drugs which they are using,
  - (ii) their health, and
  - (iii) general health matters relevant to them,and where appropriate referral to another health care professional;
- (g) a Medication Review Service, the underlying purpose of which is for the chemist to—
  - (i) conduct a review of the drugs used by a patient on the basis of information and test results included in the patient's care record, with the objective of considering the continued appropriateness and effectiveness of the drugs for the patient,

---

(1) Details for obtaining copies of this form will be made available shortly.

---

**ADVANCED SERVICES (PHARMACY CONTRACTORS)**


---

- (ii) advise and support a patient regarding the use of his or her drugs including encouraging the active participation of the patient in decision making relating to his or her use of drugs, and
- (iii) where appropriate, refer the patient to another health care professional;
- (h) a Medicines Assessment and Compliance Support Service, the underlying purpose of which is for the chemist to—
  - (i) assess the knowledge of, compliance with and use of, drugs by vulnerable patients and patients with special needs, and
  - (ii) offer advice, support and assistance to vulnerable patients and patients with special needs regarding the use of drugs with a view to improving the patient's knowledge of, compliance with and use of, such drugs;
- (i) a Minor Ailment Scheme, the underlying purpose of which is for the chemist to provide advice and support to eligible patients complaining of a minor ailment, and where appropriate, to supply drugs to them for the treatment of the minor ailment;
- (j) a Needle and Syringe Exchange Scheme, the underlying purpose of which is for the chemist to—
  - (i) to provide sterile needles, syringes and associated materials to drug misusers,
  - (ii) receive from drug misusers used needles, syringes and associated materials, and
  - (iii) offer advice to drug misusers and where appropriate referral to another health care professional or a specialist drug treatment centre;
- (k) an On Demand Availability of Specialist Drugs Service, the underlying purpose of which is for the chemist to ensure that patients or health care professionals have prompt access to specialist drugs;
- (l) Out of Hours Services, the underlying purpose of which is for the chemist to dispense drugs and appliances in the out of hours period (whether or not for the whole of the out of hours period);
- (m) a Patient Group Direction Service, the underlying purpose of which is for the chemist to supply a prescription only medicine to a patient under a Patient Group Direction;
- (n) a Prescriber Support Service, the underlying purpose of which is for the chemist to support health care professionals who prescribe drugs, and in particular to offer advice on—
  - (i) the clinical and cost effective use of drugs,
  - (ii) prescribing policies and guidelines, and
  - (iii) repeat prescribing;
- (o) a Schools Service, the underlying purpose of which is for the chemist to provide advice and support to children and staff in schools relating to—
  - (i) the clinical and cost effective use of drugs in the school,
  - (ii) the proper and effective administration and use of drugs and appliances in the school,
  - (iii) the safe and appropriate storage and handling of drugs and appliances, and
  - (iv) the recording of drugs and appliances ordered, handled, administered, stored or disposed of;
- (p) a Screening Service, the underlying purpose of which is for the chemist to—
  - (i) identify patients at risk of developing a specified disease or condition,
  - (ii) offer advice regarding testing for a specified disease or condition,
  - (iii) carry out such a test with the patient's consent, and
  - (iv) offer advice following a test and referral to another health care professional where appropriate;
- (q) a Stop Smoking Service, the underlying purpose of which is for the chemist to—



---

**ADVANCED SERVICES (PHARMACY CONTRACTORS)**

---

- (i) advise and support patients wishing to give up smoking, and
  - (ii) where appropriate, to supply appropriate drugs and aids;
  - (r) a Supervised Administration Service, the underlying purpose of which is for the chemist to supervise the administration of prescribed medicines in the pharmacy; and
  - (s) a Supplementary Prescribing Service, the underlying purpose of which is for the chemist who is a supplementary prescriber to implement with an independent prescriber a clinical management plan for a patient with that patient's agreement.
- (2) The Local Health Board must ensure that the arrangements for the services referred to in paragraph (1) make provision for those services to be provided—
- (a) only by appropriately trained and qualified persons
  - (b) in accordance with relevant national guidelines or standards;
  - (c) from premises that are suitable for the purpose; and
  - (d) using the appropriate or necessary equipment.

Signed by authority of the National Assembly for Wales

*D. Ellis-Thomas*

04-05-2005

Presiding Officer of the National Assembly



---

**ENHANCED SERVICES (PHARMACY CONTRACTORS)**

---

Directions have been issued to PCTs in England and LHBs in Wales authorising them to make arrangements for enhanced services. The directions are reproduced in Part VIC.

For enhanced services, PCTs and LHBs are the determining authority for the payment arrangements. PCTs and LHBs can commission enhanced services from pharmacies within neighbouring PCTs or LHBs. Determinations to allow for this on an England/Wales basis are detailed below.

**Determination of payments for enhanced services**

In accordance with Regulation 56(2) of the National Health Service (Pharmaceutical Services) Regulations 2005, each Primary Care Trust is the determining authority for the purposes of making a determination for the fees and allowances for the provision of the enhanced services referred to in direction 4 of the Pharmaceutical Services (Advanced and Enhanced Services) (England) Directions 2005, by pharmacists included in its pharmaceutical list or in the list of a neighbouring Primary Care Trust.

In Wales, in accordance with Regulation 18(1)(a) of the National Health Service (Pharmaceutical Services) Regulations 1992, each Local Health Board is the determining authority for the purposes of making a determination for the fees and allowances for the provision of the enhanced services referred to in direction 4 of the Pharmaceutical Services (Advanced and Enhanced Services) (Wales) Directions 2005, by pharmacists included in its pharmaceutical list or in the list of a neighbouring Local Health Board.

**VID**

---

**ENHANCED SERVICES (PHARMACY CONTRACTORS)**

---

This Page is Intentionally Blank

## DRUGS WITH COMMON PACK

**LIST OF DRUGS WITH A COMMONLY USED PACK SIZE**  
**See Part II, Clause 7D (page 6)**

If a drug specified in this list is supplied but the relative prescription form is not endorsed payment will be calculated on the basis of the price for the pack size listed

Drug	Common Pack
Anusol suppositories	24
Azathioprine 50mg tablets	100
Benadryl Allergy Relief 8mg capsules	24
Brufen 400mg tablets	250
Capoten 25mg tablets	56
Ceporex 250mg capsules	100
Ceporex 500mg capsules	100
Ceporex 250mg tablets	100
Ceporex 500mg tablets	100
Deltacortril Enteric 2.5mg tablets	100
Deltacortril Enteric 5mg tablets	100
Dexamethasone 2mg tablets	500
Dexomon 75mg SR tablets	56
Diclofenac sodium 50mg gastro-resistant tablets	84
Diclovol 75mg SR tablets	28
Dipyridamole 25mg tablets	100
Elantan 10 tablets	84
Elantan 20 tablets	84
Galpseud 60mg tablets	100
Gaviscon, Liquid aniseed	600 ml
Gaviscon, Liquid peppermint	600 ml
Imodium 2mg capsules	250
Keflex 250mg capsules	100
Keflex 500mg capsules	100
Keflex 250mg tablets	100
Keflex 500mg tablets	100
Kolanticon gel	500 ml
Lasix 40mg tablets	28
Metformin 850mg tablets	300
Metoprolol 50mg tablets	100
Metoprolol 100mg tablets	100
Natrilix 2.5mg tablets	60
Nicef 250mg capsules	100
Nicef 500mg capsules	100
Nicorette Original, Mint 2mg gum	105
Nicorette Mint 4mg gum	105
Nicorette Microtab 2mg sublingual tablets	105

VII

**DRUGS WITH COMMON PACK**

Drug	Common Pack
Nicotinell Classic, Fruit, Liquorice, Mint 2mg gum	96
Nicotinell Classic, Fruit, Liquorice, Mint 4mg gum	96
Nicotinell 1mg lozenges	96
Nicotinell 2mg lozenges	96
Nicotinell TTS 30 patches	21
NiQuitin CQ 21mg patches	14
NiQuitin CQ Clear 21mg patches	14
NovoNorm 500microgram tablets	90
NovoNorm 1mg tablets	90
Nurofen for Children 100mg/5ml suspension	150 ml
Oxybutynin 5mg tablets	56
Praxilene capsules	500
Prednisolone 2.5mg gastro-resistant tablets	100
Prednisolone 5mg gastro-resistant tablets	100
Proflavine 0.1% cream	500 ml
Prothiaden 25mg capsules	100
Provera 100mg tablets	100
Senokot 7.5mg/5ml syrup	500 ml
Stugeron 15mg tablets	100
Sudafed, Non-Drowsy 60mg tablets	100
Trandate 100mg tablets	250
Trandate 200mg tablets	250
Velosef 250mg capsules	100
Velosef 500mg capsules	100

---

**BASIC PRICES OF DRUGS**


---



---

**BASIC PRICE OF DRUGS  
COVERED BY PART II CLAUSE 8A**


---

The price listed in respect of a drug specified in the following list is the basic price (see Part II, Clause 8) on which payment will be calculated pursuant to Part II Clause 6A for the dispensing of that drug

1. All drugs listed in this Part have a pack size and price which has been determined by the Secretary of State for Health as respects England and the National Assembly for Wales as respects Wales.
2. Categories A, B, C, E and M of the drugs (appearing in Col.4) are as under:
  - 2.1 Category A - Drugs which are readily available. Endorsement of pack size is required if more than one pack size is listed. Broken Bulk may be claimed if necessary.
  - 2.2 Category B - Drugs whose usage has declined over time. No endorsement is required other than a claim for Broken Bulk if necessary.
  - 2.3 Category C - Priced on the basis of a particular brand or particular manufacturer. Endorsement of pack size is required if more than one pack is listed. Broken Bulk may be claimed if necessary.
  - 2.4 Category E - Extemporaneously prepared items for which the fee listed under Part III A (a), (b) or (c) will be claimed. No endorsement is required. Broken Bulk is not allowed, but may be paid on the ingredients.
  - 2.5 Category M - Drugs which are readily available, where the Department of Health calculate the reimbursement price based on information submitted by manufacturers. Endorsement of pack size is required if more than one pack size is listed. Broken Bulk may be claimed if necessary.
3. Recommended International Non-proprietary Names
 

With effect from 1 December 2003 drugs will be listed in this Part by their recommended International Non-proprietary Name (rINN), with the exception of Adrenaline and Noradrenaline (which will be listed by their BAN). Where such products are ordered by the former BAN, reimbursement will be made whether the manufacturer of those products is using the former BAN or the rINN to name them. Where prices are calculated for Category A products such prices will be included in the calculation whether they are listed by suppliers as a former BAN or as a rINN.
4. NHS dictionary of medicines and devices (NHS dm+d)
 

The drugs listed in this Part will reflect the naming convention used in the NHS dictionary of medicines and devices. Where such products are ordered by another naming convention, reimbursement will be made using the Part VIII dm+d naming convention. Where prices are calculated for Category A products such prices will be included in the calculation whether they are listed by suppliers using the NHS dm+d naming convention or as other naming conventions. Products are displayed as Name, strength, modification (when present), presentation and 'freeness' (when present e.g. sugar free, gluten free).

E.g. Aciclovir 400mg/5ml oral suspension sugar free.

A salt will only be displayed if more than one clinically significant salt exists in that presentation.

E.g. Calcium carbonate and Calcium gluconate.

Please note that the NHS dm&d uses the Pharmedica List of Standard Terms 2002 e.g. gastro-resistant is used to describe enteric coated.
5. Symbols
 

The following symbols are used in Part VIII

◆	Calendar Pack
■	Special Container
●	Item requiring reconstitution
★	Common pack
§	Selected List Scheme (SLS)

---

**BASIC PRICES OF DRUGS**

---

6. Methylated Spirit
- Industrial Methylated Spirit should be supplied or used and payment will be calculated accordingly, where:
- 6.1 "Methylated Spirit", "Spirit", "Spt. Vini. Meth.", "SVM", "IMS", is ordered alone or as an ingredient of a preparation for external use, or
- 6.2 A liniment, lotion, etc., in the preparation of which Methylated Spirit is permitted, is ordered and the prescriber has not indicated to the contrary.
7. Rectified Spirit
- 7.1 Where Alcohol (96%), or Rectified Spirit (Ethanol 90%), or any other of the dilute Ethanol is prescribed alone or as an ingredient in a medicament for external application, payment will be made for supply of Industrial Methylated Spirit unless the prescriber has indicated that no alternative may be used.
- 7.2 Where Alcohol (96%), or Rectified Spirit (Ethanol 90%), or any other of the dilute Ethanol is prescribed as an ingredient of a medicine for internal use, the price of the duty paid to Customs and Excise will be allowed, unless the contractor endorses the prescription form "rebate claimed".
8. Purified Water  
(Exclusive of ordinary potable water)
- Payment for Purified Water will be made:
- 8.1 where it is ordered;
- 8.2 where the water is included in any preparation intended for application to the eye;
- 8.3 where, in the opinion of the pharmacist the use of ordinary potable water in a particular preparation would result in an undesirable change in the medicament prescribed and he endorses the prescription form accordingly;
- 8.4 where the PCT for England and LHB for Wales, after consultation with the Local Medical Committee and Local Pharmaceutical Committee, has decided with the approval of the Secretary of State for Health as respects England and the National Assembly for Wales as respects Wales that the water ordinarily available is unsuitable for dispensing purposes, and has notified the contractor accordingly.
- When Purified Water is used instead of potable water, it should be freshly boiled and cooled.
9. A "Bulk" prescription is an order for two or more patients, bearing the name of a school or institution in which at least 20 persons normally reside, for the treatment of at least 10 of whom a particular doctor is responsible. Such a prescription must be an order for a drug which is prescribable under the NHS and which is not designated a "Prescription Only Medicine" (POM) under Section 58(1) of the Medicines Act 1968, or for a prescribable dressing which does not contain a product which is designated POM.

## BASIC PRICES OF DRUGS

Drug	Quantity	Basic Price	Category		
Acacia spray dried powder	250 g	880	C	<i>Loveridge</i>	
Acamprosate 333mg gastro-resistant tablets	168	2892	C	<i>Campral EC</i>	
Acarbose 100mg tablets	90	1251	C	<i>Glucobay 100</i>	
Acarbose 50mg tablets	90	660	C	<i>Glucobay 50</i>	
Acebutolol 100mg capsules	84	1497	C	<i>Sectral</i>	
Acebutolol 200mg capsules	56	1918	C	<i>Sectral 200</i>	
Acebutolol 400mg tablets	◆	1862	C	<i>Sectral 400</i>	
Aceclofenac 100mg tablets	60	963	C	<i>Preservex</i>	
Acemetacin 60mg capsules	90	2350	C	<i>Emflex</i>	
Acenocoumarol 1mg tablets	100	462	C	<i>Sinthrome</i>	
Acetazolamide 250mg modified-release capsules	◆	1155	C	<i>Diamox SR</i>	
Acetazolamide 250mg tablets	112	1268	C	<i>Diamox</i>	
Acetic acid 33% liquid	500 ml	230	C	<i>Unichem</i>	
Acetone liquid	500 ml	186	A		
Acetylcysteine 5% eye drops	■	10 ml	463	C	<i>Ilube</i>
Aciclovir 200mg dispersible tablets	25	380	△ M		
Aciclovir 200mg tablets	25	401	A		
Aciclovir 200mg/5ml oral suspension sugar free	125 ml	2956	C	<i>Zovirax</i>	
Aciclovir 3% eye ointment	■	4.5 g	992	C	<i>Zovirax</i>
Aciclovir 400mg dispersible tablets	◆	56	1109	△ M	
Aciclovir 400mg tablets	56	731	A		
Aciclovir 400mg/5ml oral suspension sugar free	100 ml	3302	C	<i>Zovirax Chickenpox Treatment</i>	
Aciclovir 5% cream	■	2 g	220	△ M	
	■	10 g	428	△ M	
Aciclovir 800mg dispersible tablets	35	1254	△ M		
Aciclovir 800mg tablets	35	953	C	<i>Wockhardt</i>	
Adapalene 0.1% cream	■	45 g	1140	C	<i>Differin</i>
Adapalene 0.1% gel	■	45 g	1140	C	<i>Differin</i>
Adrenaline acid tartrate 1 in 1,000 injection 0.5ml ampoules	10	510	A		
Adrenaline acid tartrate 1 in 1,000 injection 1ml ampoules	10	421	A		
Alclometasone 0.05% cream	■	50 g	268	C	<i>Modrasone</i>
Alclometasone 0.05% ointment	■	50 g	268	C	<i>Modrasone</i>
Alendronic acid 10mg tablets	◆	28	2296	▽ A	
Alendronic acid 5mg tablets	◆	28	2543	C	<i>Fosamax</i>
Alendronic acid 70mg tablets	■	4	2188	▽ A	
Alfacalcidol 1microgram capsules	■	30	1880	△ M	
Alfacalcidol 250nanogram capsules	■	30	716	△ M	
Alfacalcidol 500nanogram capsules	■	30	1319	△ M	
Alfuzosin 10mg modified-release tablets	30	1328	C	<i>Xatral XL</i>	
Alfuzosin 2.5mg tablets	60	2120	C	<i>Xatral</i>	
Alimemazine 10mg tablets	28	301	C	<i>Vallergan</i>	

VIII

## BASIC PRICES OF DRUGS

Drug	Quantity	Basic Price	Category	
Alimemazine 30mg/5ml oral solution	100 ml	532	C	<i>Vallergan Forte Syrup</i>
Alimemazine 7.5mg/5ml oral solution	100 ml	344	C	<i>Vallergan Syrup</i>
Allopurinol 100mg tablets	28	141	△ M	
Allopurinol 300mg tablets	28	146	△ M	
Almond oil liquid	500 ml	457	A	
Almotriptan 12.5mg tablets	3	907	C	<i>Almogran</i>
	6	1814	C	<i>Almogran</i>
	9	2720	C	<i>Almogran</i>
§ Alprostadil 10microgram injection vials and diluent	■ 1	924	C	<i>Caverject</i>
§ Alprostadil 20microgram injection vials and diluent	■ 1	1194	C	<i>Caverject</i>
§ Alprostadil 40microgram injection vials and diluent	■ 1	2158	C	<i>Caverject</i>
§ Alprostadil 5microgram injection vials and diluent	■ 1	773	C	<i>Caverject</i>
Alum powder	500 g	230	C	<i>Unichem</i>
Alverine 120mg capsules	60	1380	C	<i>Spasmonal Forte</i>
Alverine 60mg capsules	100	1195	C	<i>Spasmonal</i>
Amantadine 100mg capsules	56	1688	C	<i>Symmetrel</i>
Amantadine 50mg/5ml oral solution	■ 150 ml	555	C	<i>Symmetrel Syrup</i>
Amaranth solution	500 ml	510	C	<i>Loveridge</i>
Amiloride 2.5mg / Cyclopentiazide 250microgram tablets	◆ 28	225	C	<i>Navispare</i>
Amiloride 5mg / Bumetanide 1mg tablets	◆ 28	263	C	<i>Burinex A</i>
Amiloride 5mg tablets	28	136	△ M	
Aminoglutethimide 250mg tablets	56	2427	C	<i>Orimeten</i>
Aminophylline 25mg/ml injection 10ml ampoules	10	668	A	
Amiodarone 100mg tablets	◆ 28	249	△ M	
Amiodarone 200mg tablets	◆ 28	300	△ M	
Amisulpride 100mg tablets	60	3529	△ A	
Amisulpride 200mg tablets	60	5900	△ A	
Amisulpride 400mg tablets	60	11808	△ A	
Amisulpride 50mg tablets	60	1761	△ A	
Amitriptyline 10mg tablets	28	114	△ M	
Amitriptyline 25mg tablets	28	122	△ M	
Amitriptyline 25mg/5ml oral solution sugar free	150 ml	1240	A	
Amitriptyline 50mg tablets	28	163	△ M	
Amitriptyline 50mg/5ml oral solution sugar free	150 ml	1350	A	
Amlodipine 10mg tablets	◆ 28	782	▽ M	
Amlodipine 5mg tablets	◆ 28	540	▽ M	
Ammonia and Ipecacuanha mixture	500 ml	184	A	
Ammonia solution aromatic	500 ml	400	A	
Ammonium acetate solution strong	500 ml	366	C	<i>AAH</i>
Ammonium bicarbonate powder	500 g	253	C	<i>Loveridge</i>



## BASIC PRICES OF DRUGS

Drug	Quantity	Basic Price	Category
Ammonium chloride mixture	200 ml	42	E
Ammonium chloride powder	500 g	380	C <i>Loveridge</i>
Amorolfine 0.25% cream	■ 20 g	483	C <i>Loceryl</i>
Amorolfine 5% paint	■ 5 ml	2143	C <i>Loceryl Lacquer</i>
Amoxicillin 125mg/1.25ml oral suspension paediatric	● 20 ml	338	C <i>Amoxil</i>
Amoxicillin 125mg/5ml oral suspension	● 100 ml	165	△ M
Amoxicillin 125mg/5ml oral suspension sugar free	● 100 ml	216	△ M
Amoxicillin 1g injection vials	10	1164	C <i>Amoxil</i>
Amoxicillin 250mg capsules	21	150	△ M
Amoxicillin 250mg/5ml oral suspension	● 100 ml	209	△ M
Amoxicillin 250mg/5ml oral suspension sugar free	● 100 ml	218	△ M
Amoxicillin 3g oral powder sachets sugar free	2	641	△ M
Amoxicillin 500mg capsules	21	204	△ M
	100	594	△ M
Amoxicillin 500mg injection vials	10	582	C <i>Amoxil</i>
Amphotericin 100mg tablets	56	774	C <i>Fungilin</i>
Amphotericin 100mg/ml oral suspension sugar free	■ 12 ml	215	C <i>Fungilin</i>
Amphotericin 10mg lozenges	60	367	C <i>Fungilin</i>
Ampicillin 125mg/5ml oral suspension	● 100 ml	370	△ M
Ampicillin 250mg capsules	28	418	△ M
Ampicillin 250mg/5ml oral suspension	● 100 ml	625	△ M
Ampicillin 500mg capsules	28	650	△ M
	250	4522	△ M
Anastrozole 1mg tablets	◆ 28	6856	C <i>Arimidex</i>
Anise oil liquid	100 ml	595	C <i>Loveridge</i>
Anise water concentrated	100 ml	715	A
§ Apomorphine 2mg sublingual tablets	2	747	C <i>Uprima</i>
§ Apomorphine 3mg sublingual tablets	4	1494	C <i>Uprima</i>
Aqueous calamine cream	100 ml	59	A
Aqueous cream	500 g	232	△ M
Arachis oil 130ml enema	■ 130 ml	96	C <i>Fletchers</i>
Arachis oil liquid	200 ml	162	A
Aripiprazole 10mg tablets	28	10163	C <i>Abilify</i>
Aripiprazole 15mg tablets	28	10163	C <i>Abilify</i>
Aripiprazole 30mg tablets	28	20326	C <i>Abilify</i>
Aripiprazole 5mg tablets	28	10163	C <i>Abilify</i>
Ascorbic acid 100mg tablets	28	123	A
	100	90	A
Ascorbic acid 200mg tablets	28	126	A
	100	112	A

VIII

## BASIC PRICES OF DRUGS

Drug	Quantity	Basic Price	Category
Ascorbic acid 500mg tablets	28	256	△ M
Ascorbic acid 50mg tablets	28	118	A
Ascorbic acid powder	100 g	380	A
Aspirin 300mg dispersible tablets	100	348	△ M
Aspirin 300mg gastro-resistant tablets	100	489	C <i>Caprin</i>
Aspirin 300mg tablets	32	31	A
Aspirin 75mg dispersible tablets	28	100	△ M
	100	125	M
Aspirin 75mg gastro-resistant tablets	28	154	△ M
	56	174	△ M
Aspirin 75mg tablets	28	87	C <i>Angettes 75</i>
Aspirin powder	250 g	605	C <i>Loveridge</i>
Atenolol 100mg tablets	◆ 28	137	△ M
Atenolol 25mg tablets	◆ 28	126	△ M
Atenolol 25mg/5ml oral solution sugar free	300 ml	855	C <i>Tenormin Syrup</i>
Atenolol 50mg tablets	◆ 28	99	△ M
Atomoxetine 10mg capsules	28	5460	C <i>Strattera</i>
Atomoxetine 18mg capsules	28	5460	C <i>Strattera</i>
Atomoxetine 25mg capsules	28	5460	C <i>Strattera</i>
Atomoxetine 40mg capsules	28	5460	C <i>Strattera</i>
Atomoxetine 60mg capsules	28	5460	C <i>Strattera</i>
Atorvastatin 10mg tablets	◆ 28	1803	C <i>Lipitor</i>
Atorvastatin 20mg tablets	◆ 28	2464	C <i>Lipitor</i>
Atorvastatin 40mg tablets	◆ 28	2821	C <i>Lipitor</i>
Atorvastatin 80mg tablets	◆ 28	2821	C <i>Lipitor</i>
Atropine 1% eye drops	■ 10 ml	90	A
Atropine 1% eye ointment	■ 3 g	297	A
Atropine 600microgram tablets	28	660	A
Atropine 600micrograms/ml injection 1ml ampoules	10	496	A
Auranofin 3mg tablets	60	2520	C <i>Ridaura</i>
Azathioprine 25mg tablets	28	1019	△ M
	100	1975	△ M
Azathioprine 50mg tablets	56	1072	△ M
	★ 100	1669	△ M
Azelaic acid 20% cream	■ 30 g	374	C <i>Skinoren</i>
Azelastine 140micrograms/actuation nasal spray	■ 22 ml	1109	C <i>Rhinolast</i>
Azithromycin 200mg/5ml oral suspension	● 15 ml	508	C <i>Zithromax</i>
	● 22.5 ml	762	C <i>Zithromax</i>
	● 30 ml	1380	C <i>Zithromax</i>
Azithromycin 250mg capsules	4	895	C <i>Zithromax</i>
	6	1343	C <i>Zithromax</i>

## BASIC PRICES OF DRUGS

Drug	Quantity	Basic Price	Category
Baclofen 10mg tablets	84	289	△ M
Baclofen 5mg/5ml oral solution sugar free	300 ml	895	C <i>Lioresal Liquid</i>
Balsalazide 750mg capsules	130	3900	C <i>Colazide</i>
Bambuterol 10mg tablets	28	1205	C <i>Bambec</i>
Bambuterol 20mg tablets	28	1314	C <i>Bambec</i>
Beclometasone 0.025% cream	■ 30 g	177	C <i>Propaderm</i>
Beclometasone 0.025% ointment	■ 30 g	177	C <i>Propaderm</i>
Beclometasone 100microgram inhalation powder capsules	120	759	C <i>Beclometasone 100 Cyclocaps</i>
Beclometasone 100micrograms/ actuation breath actuated inhaler	■ 200 dose	824	C <i>Beclazone 100 Easi- Breathe</i>
Beclometasone 100micrograms/ actuation breath actuated inhaler CFC free	■ 200 dose	1721	C <i>Qvar Autohaler</i>
Beclometasone 100micrograms/ actuation inhaler	■ 200 dose	824	A
Beclometasone 100micrograms/ actuation inhaler CFC free	■ 200 dose	1721	C <i>Qvar</i>
Beclometasone 200microgram inhalation powder capsules	120	1441	C <i>Beclometasone 200 Cyclocaps</i>
Beclometasone 200micrograms/ actuation inhaler	■ 200 dose	814	C <i>Becotide 200</i>
Beclometasone 250micrograms/ actuation breath actuated inhaler	■ 200 dose	1802	C <i>Beclazone 250 Easi- Breathe</i>
Beclometasone 250micrograms/ actuation inhaler	■ 200 dose	1623	△ M
Beclometasone 400microgram inhalation powder capsules	120	2738	C <i>Beclometasone 400 Cyclocaps</i>
Beclometasone 50micrograms/ actuation breath actuated inhaler	■ 200 dose	434	C <i>Beclazone 50 Easi- Breathe</i>
Beclometasone 50micrograms/ actuation breath actuated inhaler CFC free	■ 200 dose	787	C <i>Qvar Autohaler</i>
Beclometasone 50micrograms/ actuation inhaler	■ 200 dose	506	△ M
Beclometasone 50micrograms/ actuation inhaler CFC free	■ 200 dose	787	C <i>Qvar</i>
Beclometasone 50micrograms/ actuation nasal spray	■ 200 dose	357	▽ M
Beeswax white solid	500 g	785	C <i>Loveridge</i>
Beeswax yellow solid	500 g	1195	C <i>Loveridge</i>
Bendroflumethiazide 2.5mg tablets	28	130	△ M
Bendroflumethiazide 5mg tablets	28	97	△ M
Benperidol 250microgram tablets	112	10400	C <i>Anquil</i>
Benzoic acid compound ointment	500 g	340	A
Benzoin compound tincture	500 ml	515	C <i>Loveridge</i>
Benzoin tincture	500 ml	520	C <i>Loveridge</i>
Benzoyl peroxide 10% gel	■ 40 g	207	C <i>Panoxyl Aquagel 10</i>

VIII

## BASIC PRICES OF DRUGS

Drug	Quantity	Basic Price	Category
Benzoyl peroxide 2.5% gel	■ 40 g	176	C <i>Panoxyl Aquagel 2.5</i>
Benzoyl peroxide 4% cream	■ 40 g	330	C <i>Brevoxyl</i>
Benzoyl peroxide 5% / Clindamycin 1% gel	■ 25 g	995	C <i>Duac</i>
	■ 50 g	1990	C <i>Duac</i>
Benzoyl peroxide 5% gel	■ 40 g	192	C <i>Panoxyl Aquagel 5</i>
Benzylamine 0.15% mouthwash	■ 300 ml	401	C <i>Diffiam</i>
Benzylamine 0.15% oromucosal spray	■ 30 ml	317	C <i>Diffiam</i>
Benzylamine 3% cream	■ 35 g	263	C <i>Diffiam</i>
	■ 100 g	684	C <i>Diffiam</i>
Benzyl benzoate 25% application	500 ml	247	A
Benzyl benzoate crystals	500 g	450	C <i>Loveridge</i>
Benzylpenicillin 1.2g injection vials	25	2164	C <i>Crystapen</i>
Benzylpenicillin 600mg injection vials	25	1082	C <i>Crystapen</i>
Betahistine 16mg tablets	◆ 84	411	△ M
Betahistine 8mg tablets	84	513	▽ M
	120	264	▽ M
Betamethasone 0.1% ear/eye/nose drops	■ 10 ml	232	C <i>Betnesol</i>
Betamethasone 0.1% eye ointment	■ 3 g	141	C <i>Betnesol</i>
Betamethasone 0.1% foam	■ 100 g	975	C <i>Bettamousse</i>
Betamethasone dipropionate 0.05% / Calcipotriol 0.005% ointment	■ 60 g	3500	C <i>Dovobet</i>
Betamethasone valerate 0.025% cream	■ 100 g	334	C <i>Betnovate-RD</i>
Betamethasone valerate 0.025% ointment	■ 100 g	334	C <i>Betnovate-RD</i>
Betamethasone valerate 0.1% cream	■ 30 g	143	C <i>Betnovate</i>
	■ 100 g	405	C <i>Betnovate</i>
Betamethasone valerate 0.1% ointment	■ 30 g	168	A
	■ 100 g	405	C <i>Betnovate</i>
Betamethasone valerate 0.1% scalp application	■ 100 ml	392	C <i>Betacap</i>
Betaxolol 0.25% eye drops	■ 5 ml	280	C <i>Betoptic Susp</i>
Betaxolol 0.5% eye drops	■ 5 ml	200	C <i>Betoptic Ophthalmic Solution</i>
Bezafibrate 200mg tablets	100	1178	△ M
Bezafibrate 400mg modified-release tablets	30	809	C <i>Bezalip-Mono</i>
Bicalutamide 150mg tablets	◆ 28	24000	C <i>Casodex</i>
Bicalutamide 50mg tablets	◆ 28	12800	C <i>Casodex</i>
Bimatoprost 300micrograms/ml eye drops	■ 3 ml	1146	C <i>Lumigan</i>
Bisacodyl 10mg suppositories	12	77	A
Bisacodyl 5mg gastro-resistant tablets	1000	2928	△ M
Bisacodyl 5mg suppositories	5	94	C <i>Dulcolax</i>

## BASIC PRICES OF DRUGS

Drug	Quantity	Basic Price	Category
Bismuth subcarbonate powder	250 g	1525	C <i>Loveridge</i>
Bisoprolol 1.25mg tablets	◆ 28	856	C <i>Cardicor</i>
Bisoprolol 10mg tablets	28	223	△ M
Bisoprolol 2.5mg tablets	◆ 28	590	C <i>Cardicor</i>
Bisoprolol 5mg tablets	28	232	△ M
Black currant syrup	500 ml	735	C <i>Loveridge</i>
Boric acid powder	500 g	290	C <i>Loveridge</i>
Brimonidine 0.2% eye drops	■ 5 ml	685	C <i>Alphagan</i>
Brinzolamide 10mg/ml eye drops	■ 5 ml	690	C <i>Azopt</i>
Bromocriptine 10mg capsules	100	6950	C <i>Parlodel</i>
Bromocriptine 1mg tablets	100	990	C <i>Parlodel</i>
Bromocriptine 2.5mg tablets	30	948	△ M
Bromocriptine 5mg capsules	100	3757	C <i>Parlodel</i>
Budesonide 100micrograms/ actuation / Formoterol 6micrograms/actuation dry powder inhaler	■ 120 dose	3300	C <i>Symbicort 100/6</i>
Budesonide 100micrograms/ actuation dry powder inhaler	■ 200 dose	1850	C <i>Pulmicort Turbohaler 100</i>
Budesonide 200micrograms/ actuation / Formoterol 6micrograms/actuation dry powder inhaler	■ 120 dose	3800	C <i>Symbicort 200/6</i>
Budesonide 200micrograms/ actuation dry powder inhaler	■ 100 dose	1850	C <i>Pulmicort Turbohaler 200</i>
Budesonide 200micrograms/ actuation inhaler	■ 200 dose	2090	C <i>Pulmicort</i>
Budesonide 400micrograms/ actuation / Formoterol 12micrograms/actuation dry powder inhaler	■ 60 dose	3800	C <i>Symbicort 400/12</i>
Budesonide 400micrograms/ actuation dry powder inhaler	■ 50 dose	1850	C <i>Pulmicort Turbohaler 400</i>
Budesonide 50micrograms/ actuation inhaler	■ 200 dose	733	C <i>Pulmicort LS</i>
Budesonide 64micrograms/ actuation nasal spray	■ 120 dose	449	C <i>Rhinocort Aqua 64</i>
Bumetanide 1mg tablets	◆ 28	164	△ M
Bumetanide 1mg/5ml oral solution sugar free	150 ml	1522	A
Bumetanide 500microgram / Potassium 7.7mmol modified- release tablets	28	112	C <i>Burinex K</i>
Bumetanide 5mg tablets	◆ 28	351	▽ M
Buprenorphine 200microgram sublingual tablets sugar free	50	533	C <i>Temgesic</i>
Buprenorphine 2mg sublingual tablets sugar free	7	672	C <i>Subutex</i>
Buprenorphine 400microgram sublingual tablets sugar free	7	160	C <i>Subutex</i>
Buprenorphine 8mg sublingual tablets sugar free	50	1066	C <i>Temgesic</i>
	7	2016	C <i>Subutex</i>

VIII

## BASIC PRICES OF DRUGS

Drug	Quantity	Basic Price	Category	
Bupropion 150mg modified-release tablets	60	3985	C	<i>Zyban</i>
Buspirone 10mg tablets	30	2101	△ M	
Buspirone 5mg tablets	30	1596	△ M	
Cabergoline 1mg tablets	■ 20	8300	C	<i>Cabaser</i>
Cabergoline 2mg tablets	■ 20	8300	C	<i>Cabaser</i>
Cabergoline 4mg tablets	■ 16	7584	C	<i>Cabaser</i>
Cabergoline 500microgram tablets	■ 8	3004	C	<i>Dostinex</i>
Cade oil liquid	100 ml	660	C	<i>Unichem</i>
Calamine lotion	2 litre	626	A	
Calamine oily lotion	500 ml	394	C	<i>AAH</i>
Calamine powder	500 g	330	C	<i>Loveridge</i>
Calcipotriol 50micrograms/g cream	■ 60 g	1202	C	<i>Dovonex</i>
	■ 120 g	2404	C	<i>Dovonex</i>
Calcipotriol 50micrograms/g ointment	■ 60 g	1202	C	<i>Dovonex</i>
	■ 120 g	2404	C	<i>Dovonex</i>
Calcipotriol 50micrograms/ml scalp solution	■ 60 ml	1304	C	<i>Dovonex</i>
Calcium and Ergocalciferol tablets	28	214	△ M	
Calcium carbonate 1.25g chewable tablets	100	933	C	<i>Calcichew</i>
Calcium carbonate 2.5g chewable tablets	60	1316	C	<i>Calcichew Forte</i>
Calcium carbonate powder	500 g	230	C	<i>Loveridge</i>
Calcium gluconate 1g effervescent tablets	■ 28	462	A	
Calcium lactate 300mg tablets	84	408	△ M	
Camphor racemic powder	100 g	345	C	<i>Loveridge</i>
Camphor water concentrated	100 ml	285	C	<i>Unichem</i>
Candesartan 16mg tablets	◆ 28	1272	C	<i>Amias</i>
Candesartan 2mg tablets	◆ 7	299	C	<i>Amias</i>
Candesartan 32mg tablets	◆ 28	1613	C	<i>Amias</i>
Candesartan 4mg tablets	◆ 7	324	C	<i>Amias</i>
	◆ 28	815	C	<i>Amias</i>
Candesartan 8mg tablets	◆ 28	989	C	<i>Amias</i>
Capsaicin 0.025% cream	■ 45 g	1504	C	<i>Zacin</i>
Capsaicin 0.075% cream	■ 45 g	1215	C	<i>Axsain</i>
Capsicum tincture	500 ml	322	▽ A	
Captopril 12.5mg tablets	56	122	△ M	
Captopril 25mg tablets	◆ 56	139	△ M	
Captopril 50mg tablets	◆ 56	178	△ M	
Carbamazepine 100mg tablets	28	290	△ M	
	84	243	C	<i>Tegretol</i>
Carbamazepine 100mg/5ml oral suspension sugar free	300 ml	686	C	<i>Tegretol Liquid</i>
Carbamazepine 200mg modified-release tablets	56	526	C	<i>Tegretol Retard</i>

## BASIC PRICES OF DRUGS

Drug	Quantity	Basic Price	Category
Carbamazepine 200mg tablets	28	340	▽ M
	84	450	C <i>Tegretol</i>
Carbamazepine 400mg modified-release tablets	56	1034	C <i>Tegretol Retard</i>
Carbamazepine 400mg tablets	28	718	△ M
	56	590	C <i>Tegretol</i>
Carbaryl 0.5% alcoholic lotion	■ 50 ml	228	C <i>Caryl/derm</i>
Carbaryl 1% aqueous liquid	■ 50 ml	228	C <i>Caryl/derm</i>
Carbimazole 20mg tablets	100	1875	C <i>Neo-Mercazole 20</i>
Carbimazole 5mg tablets	100	505	C <i>Neo-Mercazole 5</i>
Carbocisteine 125mg/5ml oral solution	300 ml	457	C <i>Mucodyne Syrup</i>
Carbocisteine 250mg/5ml oral solution	300 ml	584	C <i>Mucodyne Syrup</i>
Carbocisteine 375mg capsules	30	417	C <i>Mucodyne</i>
Carbomer 980 0.2% eye drops	■ 10 g	280	C <i>GelTears Ophthalmic Gel</i>
Cardamom compound tincture	500 ml	750	C <i>Loveridge</i>
Carmellose 1% eye drops 0.4ml unit dose preservative free	30	575	C <i>Celluvisc</i>
Carmellose Gelatin Paste	■ 30 g	198	C <i>Orabase</i>
	■ 100 g	440	C <i>Orabase</i>
Carteolol 1% eye drops	■ 5 ml	460	C <i>Teoptic</i>
Carteolol 2% eye drops	■ 5 ml	540	C <i>Teoptic</i>
Carvedilol 12.5mg tablets	◆ 28	744	▽ A
Carvedilol 25mg tablets	◆ 28	901	▽ A
Carvedilol 3.125mg tablets	◆ 28	566	▽ A
Carvedilol 6.25mg tablets	◆ 28	648	▽ A
Castor oil liquid	500 ml	450	C <i>Loveridge</i>
Cefaclor 125mg/5ml oral suspension	● 100 ml	548	A
Cefaclor 125mg/5ml oral suspension sugar free	● 100 ml	553	▽ M
Cefaclor 250mg capsules	21	761	△ M
Cefaclor 250mg/5ml oral suspension	● 100 ml	775	A
Cefaclor 250mg/5ml oral suspension sugar free	● 100 ml	811	▽ M
Cefaclor 375mg modified-release tablets	14	693	C <i>Distaclor MR</i>
Cefaclor 500mg capsules	50	3704	△ M
Cefadroxil 125mg/5ml oral suspension	● 60 ml	163	C <i>Baxan</i>
Cefadroxil 250mg/5ml oral suspension	● 60 ml	324	C <i>Baxan</i>
Cefadroxil 500mg capsules	20	525	C <i>Baxan</i>
Cefadroxil 500mg/5ml oral suspension	● 60 ml	485	C <i>Baxan</i>
Cefalexin 125mg/5ml oral suspension	● 100 ml	246	△ M
Cefalexin 250mg capsules	28	343	△ M
	100	695	△ M

VIII

## BASIC PRICES OF DRUGS

Drug	Quantity	Basic Price	Category
Cefalexin 250mg tablets	28	310	△ M
	100	654	▽ M
Cefalexin 250mg/5ml oral suspension	● 100 ml	358	△ M
Cefalexin 500mg capsules	21	435	△ M
	100	1230	▽ M
Cefalexin 500mg tablets	21	511	▽ M
	100	1774	▽ M
Cefalexin 500mg/5ml oral suspension	● 100 ml	557	C <i>Ceporex Syrup</i>
Cefixime 200mg tablets	7	1323	C <i>Suprax</i>
Cefotaxime 1g injection vials	10	4308	C <i>Claforan</i>
Cefotaxime 2g injection vials	10	8573	C <i>Claforan</i>
Cefotaxime 500mg injection vials	10	2143	C <i>Claforan</i>
Cefpodoxime 100mg tablets	10	1018	C <i>Orelox</i>
Cefradine 250mg capsules	20	605	△ M
	100	2259	▽ M
Cefradine 250mg/5ml oral solution	● 100 ml	392	C <i>Velosef Syrup</i>
Cefradine 500mg capsules	20	1143	△ M
	100	4243	▽ M
Ceftriaxone 1g injection vials	■ 1	1017	C <i>Rocephin</i>
Ceftriaxone 250mg injection vials	■ 1	255	C <i>Rocephin</i>
Ceftriaxone 2g injection vials	■ 1	2036	C <i>Rocephin</i>
Cefuroxime 125mg tablets	14	484	C <i>Zinnat</i>
Cefuroxime 250mg tablets	14	967	C <i>Zinnat</i>
Celecoxib 100mg capsules	60	2155	C <i>Celebrex</i>
Celecoxib 200mg capsules	30	2155	C <i>Celebrex</i>
Celiprolol 200mg tablets	◆ 28	944	△ M
Celiprolol 400mg tablets	◆ 28	2434	△ M
Cetirizine 10mg tablets	30	162	△ M
Cetirizine 1mg/ml oral solution sugar free	200 ml	778	▽ M
Cetomacrogol cream (Formula A)	500 g	255	A
Chalk powder	1 kg	270	C <i>Loveridge</i>
Chloral hydrate crystals	100 g	495	C <i>Loveridge</i>
Chloramphenicol 0.5% eye drops	■ 10 ml	123	A
Chloramphenicol 1% eye ointment	■ 4 g	222	△ M
Chloramphenicol 5% ear drops	■ 10 ml	142	A
Chlordiazepoxide 10mg capsules	100	586	▽ A
	500	3635	▽ M
Chlordiazepoxide 10mg tablets	100	1284	▽ M
Chlordiazepoxide 5mg capsules	100	413	A
	500	2893	△ M
Chlordiazepoxide 5mg tablets	100	975	▽ M
Chlorhexidine 0.2% oral spray	■ 60 ml	410	C <i>Corsodyl</i>
Chlorhexidine 1% dental gel	■ 50 g	121	C <i>Corsodyl</i>
Chlorhexidine gluconate 0.2% mouthwash	300 ml	190	A
Chloroform and Morphine tincture	500 ml	600	A
Chloroform spirit	500 ml	248	C <i>Unichem</i>



## BASIC PRICES OF DRUGS

Drug	Quantity	Basic Price	Category	
Chloroform water concentrated	500 ml	230	C	<i>Loveridge</i>
Chloroquine phosphate 250mg tablets	20	122	C	<i>Avloclor</i>
Chloroquine sulphate 200mg tablets	28	201	C	<i>Nivaquine</i>
Chlorphenamine 10mg/ml injection 1ml ampoules	5	810	A	
Chlorphenamine 2mg/5ml oral solution	150 ml	228	C	<i>Piriton Syrup</i>
Chlorphenamine 2mg/5ml oral solution sugar free	150 ml	225	A	
Chlorphenamine 4mg tablets	28	134	△ M	
Chlorpromazine 100mg tablets	28	312	△ M	
Chlorpromazine 10mg tablets	56	66	C	<i>Largactil</i>
Chlorpromazine 25mg tablets	28	300	△ M	
Chlorpromazine 25mg/5ml oral solution	150 ml	135	A	
Chlorpromazine 50mg tablets	28	278	△ M	
Chlortalidone 50mg tablets	28	164	C	<i>Hygroton</i>
Choline salicylate 8.7% oromucosal gel sugar free	■ 15 g	179	C	<i>Bonjela</i>
Ciclosporin 100mg capsules	30	5000	C	<i>Neoral</i>
Ciclosporin 100mg/ml oral solution sugar free	■ 50 ml	8200	C	<i>Neoral</i>
Ciclosporin 25mg capsules	30	1200	C	<i>Neoral</i>
Ciclosporin 50mg capsules	30	2650	C	<i>Neoral</i>
Cilostazol 100mg tablets	56	3531	C	<i>Pletal</i>
Cimetidine 200mg tablets	60	233	△ M	
Cimetidine 200mg/5ml oral solution	600 ml	2849	C	<i>Tagamet Syrup</i>
Cimetidine 200mg/5ml oral solution sugar free	300 ml	1424	A	
Cimetidine 200mg/5ml oral suspension sugar free	600 ml	2408	C	<i>Dyspamet</i>
Cimetidine 400mg tablets	◆ 60	245	△ M	
Cimetidine 800mg tablets	◆ 30	362	△ M	
Cinnarizine 15mg tablets	84	743	△ M	
Ciprofibrate 100mg tablets	28	1472	C	<i>Modalim</i>
Ciprofloxacin 0.3% eye drops	■ 5 ml	494	C	<i>Ciloxan</i>
Ciprofloxacin 100mg tablets	6	176	▽ M	
Ciprofloxacin 250mg tablets	10	199	▽ M	
	20	220	△ M	
Ciprofloxacin 250mg/5ml oral suspension	● 100 ml	1500	C	<i>Ciproxin</i>
Ciprofloxacin 500mg tablets	10	224	▽ M	
	20	292	▽ M	
Ciprofloxacin 750mg tablets	10	327	▽ M	
Citalopram 10mg tablets	◆ 28	238	△ M	
Citalopram 20mg tablets	◆ 28	263	△ M	
Citalopram 40mg tablets	◆ 28	389	△ M	
Citalopram 40mg/ml oral solution sugar free	■ 15 ml	2016	C	<i>Cipramil</i>
Citric acid monohydrate powder	500 g	290	C	<i>Thornton &amp; Ross</i>

VIII

## BASIC PRICES OF DRUGS

Drug	Quantity	Basic Price	Category
Clarithromycin 125mg/5ml oral suspension	● 70 ml	558	C <i>Klaricid</i>
	● 100 ml	960	C <i>Klaricid</i>
Clarithromycin 250mg tablets	◆ 14	1048	A
Clarithromycin 250mg/5ml oral suspension	● 70 ml	1116	C <i>Klaricid</i>
Clarithromycin 500mg modified-release tablets	◆ 7	800	C <i>Klaricid XL</i>
	◆ 14	1600	C <i>Klaricid XL</i>
Clarithromycin 500mg tablets	◆ 14	2144	A
	◆ 20	3129	C <i>Klaricid 500</i>
Clemastine 1mg tablets	60	235	C <i>Tavegil</i>
Clindamycin 1% alcoholic solution	■ 30 ml	434	C <i>Dalacin T Topical Soln</i>
Clindamycin 1% aqueous lotion	■ 30 ml	508	C <i>Dalacin T Topical Lotion</i>
	■ 50 ml	847	C <i>Dalacin T Topical Lotion</i>
Clindamycin 150mg capsules	24	1372	A
Clindamycin 2% vaginal cream	■ 40 g	1086	C <i>Dalacin</i>
Clindamycin 75mg capsules	24	745	C <i>Dalacin C</i>
Clioquinol 1% / Flumetasone 0.02% ear drops	■ 7.5 ml	147	C <i>Locorten Vioform</i>
Clioquinol 3% / Betamethasone valerate 0.1% cream	■ 30 g	176	C <i>Betnovate-C</i>
Clioquinol 3% / Betamethasone valerate 0.1% ointment	■ 30 g	176	C <i>Betnovate-C</i>
§ Clobazam 10mg tablets	30	974	C <i>Frisium</i>
Clobetasol 0.05% cream	■ 30 g	286	C <i>Dermovate</i>
	■ 100 g	839	C <i>Dermovate</i>
Clobetasol 0.05% ointment	■ 30 g	286	C <i>Dermovate</i>
	■ 100 g	839	C <i>Dermovate</i>
Clobetasol 0.05% scalp application	■ 30 ml	326	C <i>Dermovate</i>
	■ 100 ml	1106	C <i>Dermovate</i>
Clobetasone 0.05% cream	■ 30 g	197	C <i>Eumovate</i>
	■ 100 g	577	C <i>Eumovate</i>
Clobetasone 0.05% ointment	■ 30 g	197	C <i>Eumovate</i>
	■ 100 g	577	C <i>Eumovate</i>
Clomethiazole 192mg capsules	60	478	C <i>Heminevrin</i>
Clomethiazole 250mg/5ml oral solution sugar free	300 ml	400	C <i>Heminevrin Syrup</i>
Clomifene 50mg tablets	30	1125	A
Clomipramine 10mg capsules	◆ 28	189	△ M
Clomipramine 25mg capsules	◆ 28	239	△ M
	100	543	▽ M
Clomipramine 50mg capsules	◆ 28	388	△ M
Clomipramine 75mg modified-release tablets	28	883	C <i>Anafranil SR</i>
Clonazepam 2mg tablets	100	523	C <i>Rivotril</i>
Clonazepam 500microgram tablets	100	392	C <i>Rivotril</i>
Clonidine 100microgram tablets	100	560	C <i>Catapres</i>
Clonidine 25microgram tablets	112	1363	△ M

## BASIC PRICES OF DRUGS

Drug	Quantity	Basic Price	Category
Clonidine 300microgram tablets	100	1304	C <i>Catapres</i>
Clopidogrel 75mg tablets	◆ 28	3531	C <i>Plavix</i>
Cloral betaine 707mg tablets	30	243	C <i>Welldorm</i>
Clotrimazole 1% / Betamethasone dipropionate 0.05% cream	■ 30 g	634	C <i>Lotriderm</i>
Clotrimazole 1% / Hydrocortisone 1% cream	■ 30 g	215	C <i>Canesten HC</i>
Clotrimazole 1% cream	■ 20 g	319	△ M
	■ 50 g	380	A
Clotrimazole 10% vaginal cream	■ 5 g	450	C <i>Canesten VC</i>
Clotrimazole 100mg pessaries	■ 6	330	C <i>Canesten</i>
Clotrimazole 200mg pessaries	■ 3	330	C <i>Canesten</i>
Clotrimazole 500mg pessaries	■ 1	418	△ M
Clove oil liquid	50 ml	220	A
Coal tar solution	500 ml	578	A
Coal tar solution strong	500 ml	688	A
Co-amilofruse 10/80 tablets	◆ 28	743	A
Co-amilofruse 2.5/20 tablets	◆ 28	196	M
	◆ 56	259	△ M
Co-amilofruse 5/40 tablets	◆ 28	176	△ M
	◆ 56	267	▽ M
Co-amilozide 2.5/25 tablets	◆ 28	185	A
Co-amilozide 5/50 tablets	28	184	△ M
Co-amoxiclav 125/31 oral suspension sugar free	● 100 ml	594	△ M
Co-amoxiclav 250/125 dispersible tablets	21	1022	C <i>Augmentin Dispersible</i>
Co-amoxiclav 250/125 tablets	21	522	▽ M
	100	2224	▽ M
Co-amoxiclav 250/62 oral suspension sugar free	● 100 ml	739	▽ M
Co-amoxiclav 400/57 oral suspension sugar free	● 35 ml	438	C <i>Augmentin Duo 400/57</i>
	● 70 ml	615	C <i>Augmentin Duo 400/57</i>
Co-amoxiclav 500/125 tablets	21	1049	▽ M
Co-beneldopa 12.5/50 capsules	100	620	C <i>Madopar 62.5</i>
Co-beneldopa 12.5/50 dispersible tablets	100	737	C <i>Madopar 62.5 Dispersible</i>
Co-beneldopa 25/100 capsules	100	864	C <i>Madopar 125</i>
Co-beneldopa 25/100 dispersible tablets	100	1306	C <i>Madopar 125 Dispersible</i>
Co-beneldopa 50/200 capsules	100	1473	C <i>Madopar 250</i>
Cocaine hydrochloride powder	5 g	6115	A
Co-careldopa 10/100 tablets	100	1191	△ M
Co-careldopa 12.5/50 tablets	90	654	C <i>Sinemet 62.5</i>
Co-careldopa 25/100 tablets	100	1744	△ M
Co-careldopa 25/250 tablets	100	2824	△ M
Co-codamol 15/500 tablets	100	750	C <i>Codipar</i>
Co-codamol 30/500 capsules	100	801	C <i>Tylox</i>

## BASIC PRICES OF DRUGS

Drug	Quantity	Basic Price	Category
Co-codamol 30/500 effervescent tablets	100	1915	△ M
Co-codamol 30/500 tablets	100	683	△ M
Co-codamol 8/500 effervescent tablets	60	604	△ M
	100	780	△ M
Co-codamol 8/500 tablets	30	162	△ M
	32	174	△ M
	100	271	△ M
Co-codaprin 8/400 dispersible tablets	100	878	△ M
Coconut oil	500 g	283	C <i>Unichem</i>
Co-cyprindiol 2000/35 tablets	◆ 63	1110	A
Co-danthramer 25/200 capsules	60	1286	A
Co-danthramer 25/200 oral suspension sugar free	300 ml	1127	A
Co-danthramer 37.5/500 capsules strong	60	1555	A
Co-danthramer 75/1000 oral suspension strong sugar free	300 ml	3013	A
Co-danthrusate 50/60 capsules	63	1346	A
Co-danthrusate 50/60 oral suspension sugar free	200 ml	875	C <i>Normax</i>
Codeine 15mg tablets	28	181	△ M
	30	140	A
Codeine 15mg/5ml linctus	200 ml	109	C <i>Thornton &amp; Ross</i>
Codeine 15mg/5ml linctus sugar free	2 litre	610	A
Codeine 25mg/5ml oral solution	500 ml	449	A
Codeine 30mg tablets	28	207	△ M
Codeine 3mg/5ml linctus paediatric sugar free	2 litre	352	C <i>Galcodine</i>
Codeine 60mg tablets	28	357	△ M
	30	312	A
Codeine phosphate powder	25 g	3910	C <i>Martindale</i>
Co-dydramol 10/500 tablets	30	168	△ M
	100	270	△ M
Co-fluampicil 125/125 oral suspension	● 100 ml	499	C <i>Magnapen Syrup</i>
Co-fluampicil 250/250 capsules	28	608	△ M
	100	1708	▽ M
Co-flumactone 25/25 tablets	100	2023	C <i>Aldactide 25</i>
Co-flumactone 50/50 tablets	100	3823	C <i>Aldactide 50</i>
Colchicine 500microgram tablets	100	1661	A
Colestyramine 4g oral powder sachets	50	1632	C <i>Questran</i>
Colestyramine 4g oral powder sachets sugar free	60	1916	A
Compound Macrogol 13.8g oral powder sachets	20	463	C <i>Movicol</i>
	30	695	C <i>Movicol</i>

## BASIC PRICES OF DRUGS

Drug	Quantity	Basic Price	Category	
Conjugated oestrogens 1.25mg tablets	◆ 84	1319	C	<i>Premarin</i>
Conjugated oestrogens 625microgram tablets	◆ 84	972	C	<i>Premarin</i>
Co-phenotrope 2.5/0.025 tablets	100	814	C	<i>Lomotil</i>
Copper sulphate pentahydrate powder	500 g	260	A	
Co-prenozide 160/0.25 modified-release tablets	◆ 28	888	C	<i>Trasidrex</i>
Co-proxamol 32.5/325 tablets	100	211	△ M	
Cortisone 25mg tablets	56	1092	A	
Co-simalcite 125/500 oral suspension sugar free	500 ml	196	C	<i>Altacite Plus</i>
Co-tenidone 100/25 tablets	◆ 28	241	△ M	
Co-tenidone 50/12.5 tablets	◆ 28	248	▽ M	
Co-triamterzide 50/25 tablets	◆ 30	95	C	<i>Dyazide</i>
Co-trimoxazole 80/400 tablets	28	867	△ M	
Crotamiton 10% cream	■ 30 g	227	C	<i>Eurax</i>
	■ 100 g	395	C	<i>Eurax</i>
Crotamiton 10% lotion	100 ml	299	C	<i>Eurax</i>
Cyanocobalamin 1mg/ml injection 1ml ampoules	5	833	C	<i>Cytamen</i>
§ Cyanocobalamin 50microgram tablets	50	304	C	<i>Cytacon</i>
Cyclizine 50mg tablets	100	720	C	<i>Valoid</i>
Cyclizine 50mg/ml injection 1ml ampoules	5	352	C	<i>Valoid</i>
Cyclopenthiiazide 500microgram tablets	28	127	C	<i>Navidrex</i>
Cyclopentolate 0.5% eye drops	■ 5 ml	97	C	<i>Mydrilate</i>
Cyclopentolate 1% eye drops	■ 5 ml	119	C	<i>Mydrilate</i>
Cyclophosphamide 50mg tablets	100	1058	A	
Cyproterone 100mg tablets	84	7768	C	<i>Cyprostat</i>
Danazol 100mg capsules	◆ 28	1349	△ M	
	60	1704	C	<i>Danol</i>
	100	4340	△ M	
Danazol 200mg capsules	56	4512	△ M	
	100	7662	△ M	
Dantrolene 100mg capsules	100	4307	C	<i>Dantrium</i>
Dantrolene 25mg capsules	100	1232	C	<i>Dantrium</i>
Dapsone 100mg tablets	28	681	△ M	
Dapsone 50mg tablets	28	480	△ M	
Desloratadine 2.5mg/5ml oral solution	■ 100 ml	704	C	<i>Neoclarityn</i>
Desloratadine 5mg tablets	30	704	C	<i>Neoclarityn</i>
Desmopressin 100micrograms/ml intranasal solution	■ 2.5 ml	972	C	<i>DDAVP Nasal Solution</i>

VIII

## BASIC PRICES OF DRUGS

Drug	Quantity	Basic Price	Category	
Desmopressin 10micrograms/ actuation nasal spray	■ 50 dose	1969	C	<i>Nocutil</i>
	■ 60 dose	2516	▽ A	
Dexamethasone 0.1% / Hypromellose 0.5% eye drops	■ 5 ml	149	C	<i>Maxidex</i>
	■ 10 ml	295	C	<i>Maxidex</i>
Dexamethasone 2mg tablets	50	660	A	
	100	1205	A	
	★ 500	4333	A	
Dexamethasone 500microgram tablets	50	176	A	
	100	352	A	
	500	1753	A	
Dexamfetamine 5mg tablets	28	300	C	<i>Dexedrine</i>
Diamorphine 100mg injection ampoules	5	2249	A	
Diamorphine 10mg injection ampoules	5	1098	△ A	
Diamorphine 10mg tablets	100	1230	A	
Diamorphine 30mg injection ampoules	5	1217	△ A	
Diamorphine 500mg injection ampoules	5	13572	△ A	
Diamorphine 5mg injection ampoules	5	773	△ A	
Diamorphine hydrochloride powder	2 g	1336	A	
Diazepam 10mg tablets	28	148	△ M	
Diazepam 2mg tablets	28	102	△ M	
Diazepam 2mg/5ml oral solution	100 ml	175	C	<i>Sandoz Diazepam Syrup</i>
Diazepam 2mg/ml rectal solution 2.5ml tube	5	636	A	
Diazepam 4mg/ml rectal solution 2.5ml tube	5	935	△ M	
Diazepam 5mg tablets	28	108	△ M	
Diazepam 5mg/ml injection 2ml ampoules	10	318	A	
Diclofenac 1% gel	■ 100 g	700	C	<i>Votarol Emulgel</i>
Diclofenac 100mg suppositories	10	304	A	
Diclofenac 12.5mg suppositories	10	71	C	<i>Voltarol</i>
Diclofenac 25mg suppositories	10	126	C	<i>Voltarol</i>
Diclofenac 25mg/ml injection 3ml ampoules	10	743	C	<i>Econac</i>
Diclofenac 50mg dispersible tablets	21	563	C	<i>Voltarol Dispersible</i>
Diclofenac 50mg suppositories	10	207	C	<i>Voltarol</i>
Diclofenac potassium 25mg tablets	28	367	C	<i>Voltarol Rapid</i>
Diclofenac potassium 50mg tablets	28	703	C	<i>Voltarol Rapid</i>
Diclofenac sodium 100mg modified- release capsules	◆ 28	871	C	<i>Diclomax Retard</i>
Diclofenac sodium 25mg gastro- resistant tablets	★ 84	232	▽ M	
Diclofenac sodium 3% gel	■ 25 g	1665	C	<i>Solaraze</i>

## BASIC PRICES OF DRUGS

Drug	Quantity	Basic Price	Category	
Diclofenac sodium 50mg gastro-resistant / Misoprostol 200microgram tablets	60	1331	C	<i>Arthrotec 50</i>
Diclofenac sodium 50mg gastro-resistant tablets	★ 84	288	▽ M	
	100	505	A	
Diclofenac sodium 75mg gastro-resistant / Misoprostol 200microgram tablets	60	1759	C	<i>Arthrotec 75</i>
Diclofenac sodium 75mg gastro-resistant modified-release capsules	56	800	C	<i>Motifene 75mg</i>
Diclofenac sodium 75mg modified-release capsules	◆ 56	1210	C	<i>Diclomax SR</i>
Dicycloverine 10mg tablets	100	504	C	<i>Merbentyl</i>
Dicycloverine 10mg/5ml oral solution	120 ml	184	C	<i>Merbentyl Syrup</i>
Dicycloverine 20mg tablets	84	847	C	<i>Merbentyl 20</i>
Diethylamine salicylate 10% cream	■ 50 g	121	C	<i>Algesal</i>
Diethylstilbestrol 1mg tablets	28	2640	A	
Diethylstilbestrol 5mg tablets	28	13400	△ M	
Diflunisal 250mg tablets	60	541	C	<i>Dolobid</i>
Diflunisal 500mg tablets	60	1082	C	<i>Dolobid 500</i>
Digitoxin 100microgram tablets	28	392	A	
Digoxin 125microgram tablets	28	213	△ M	
Digoxin 250microgram tablets	28	194	△ M	
Digoxin 50micrograms/ml oral solution	■ 60 ml	535	C	<i>Lanoxin PG Elixir</i>
Digoxin 62.5microgram tablets	28	171	△ M	
Dihydrocodeine 10mg/5ml oral solution	150 ml	320	A	
Dihydrocodeine 120mg modified-release tablets	56	1157	C	<i>DHC Continus</i>
Dihydrocodeine 30mg tablets	28	250	△ M	
	30	317	△ M	
	100	488	▽ M	
Dihydrocodeine 50mg/ml injection 1ml ampoules	10	2294	A	
Dihydrocodeine 60mg modified-release tablets	56	550	C	<i>DHC Continus</i>
Dihydrocodeine 90mg modified-release tablets	56	866	C	<i>DHC Continus</i>
Diltiazem 200mg modified-release capsules	◆ 28	666	C	<i>Tildiem LA 200</i>
Diltiazem 60mg modified-release capsules	56	640	C	<i>Dilzem SR 60</i>
Diltiazem 60mg modified-release tablets	84	363	△ M	
	100	544	△ M	
Dipivefrine 0.1% eye drops	■ 5 ml	381	C	<i>Propine</i>
	■ 10 ml	477	C	<i>Propine</i>
Dipyridamole 100mg tablets	84	581	△ M	

VIII

## BASIC PRICES OF DRUGS

Drug	Quantity	Basic Price	Category	
Dipyridamole 200mg modified-release capsules	■ 60	838	C	<i>Persantin Retard</i>
Dipyridamole 25mg tablets	84	147	▽ A	
	★ 100	343	▽ M	
Disodium etidronate 200mg tablets	60	3730	A	
Disopyramide 100mg capsules	84	3112	△ M	
Disopyramide 150mg capsules	84	4115	△ M	
Disopyramide 250mg modified-release tablets	56	2885	C	<i>Rythmodan Retard</i>
Disulfiram 200mg tablets	50	2628	C	<i>Antabuse</i>
Dithranol powder	25 g	3100	C	<i>AAH</i>
Docusate 100mg capsules	30	240	C	<i>Diocetyl</i>
	100	800	C	<i>Diocetyl</i>
Docusate 12.5mg/5ml oral solution sugar free	300 ml	163	C	<i>Docusol</i>
Docusate 50mg/5ml oral solution sugar free	300 ml	248	C	<i>Docusol</i>
Domperidone 10mg tablets	30	264	▽ M	
	100	483	▽ M	
Domperidone 30mg suppositories	10	265	C	<i>Motilium</i>
Domperidone 5mg/5ml oral suspension sugar free	200 ml	180	C	<i>Motilium</i>
Donepezil 10mg tablets	◆ 28	8906	C	<i>Aricept</i>
Donepezil 5mg tablets	◆ 28	6354	C	<i>Aricept</i>
Dorzolamide 2% / Timolol 0.5% eye drops	■ 5 ml	1005	C	<i>Cosopt</i>
Dorzolamide 2% eye drops	■ 5 ml	633	C	<i>Trusopt Ophthalmic Solution</i>
Dosulepin 25mg capsules	28	160	△ M	
	100	298	▽ M	
Dosulepin 75mg tablets	◆ 28	192	△ M	
Doxazosin 1mg tablets	◆ 28	163	▽ M	
Doxazosin 2mg tablets	◆ 28	204	△ M	
Doxazosin 4mg modified-release tablets	◆ 28	633	C	<i>Cardura XL</i>
Doxazosin 4mg tablets	◆ 28	553	▽ M	
Doxazosin 8mg modified-release tablets	◆ 28	1267	C	<i>Cardura XL</i>
Doxepin 10mg capsules	56	133	C	<i>Sinequan</i>
Doxepin 25mg capsules	28	96	C	<i>Sinequan</i>
Doxepin 50mg capsules	28	157	C	<i>Sinequan</i>
Doxepin 75mg capsules	28	249	C	<i>Sinequan</i>
Doxycycline 100mg capsules	8	229	△ M	
	50	973	△ M	
Doxycycline 20mg tablets	56	1650	C	<i>Periostat</i>
Doxycycline 50mg capsules	◆ 28	452	△ M	
Dutasteride 500microgram capsules	30	2481	C	<i>Avodart</i>
Dydrogesterone 10mg tablets	60	404	C	<i>Duphaston</i>



## BASIC PRICES OF DRUGS

Drug	Quantity	Basic Price	Category
Emulsifying ointment	500 g	387	△ M
Emulsifying wax	500 g	483	A
Enalapril 10mg tablets	◆ 28	152	△ M
Enalapril 2.5mg tablets	◆ 28	102	△ M
Enalapril 20mg / Hydrochlorothiazide 12.5mg tablets	◆ 28	1390	C <i>Innozide</i>
Enalapril 20mg tablets	◆ 28	177	△ M
Enalapril 5mg tablets	◆ 28	142	△ M
Entacapone 200mg tablets	30	1800	C <i>Comtess</i>
	100	6000	C <i>Comtess</i>
Ephedrine 0.5% nasal drops	■ 10 ml	135	△ A
Ephedrine 1% nasal drops	■ 10 ml	140	A
Ephedrine hydrochloride 15mg tablets	28	170	A
Ephedrine hydrochloride 30mg tablets	28	176	A
Epinastine 500micrograms/ml eye drops	■ 5 ml	1450	C <i>Relestat</i>
Eprosartan 300mg tablets	◆ 28	1163	C <i>Teveten</i>
Eprosartan 400mg tablets	◆ 56	1577	C <i>Teveten</i>
Eprosartan 600mg tablets	◆ 28	1431	C <i>Teveten</i>
Ergocalciferol 1.25mg tablets	100	2941	A
Ergocalciferol 250microgram tablets	100	2119	A
Ergocalciferol 300,000units/ml injection 1ml ampoules	10	5924	A
Ergocalciferol 300,000units/ml injection 2ml ampoules	10	7070	A
Erythromycin 2% solution	■ 50 ml	800	C <i>Stiemycin</i>
Erythromycin 250mg gastro- resistant capsules	28	595	C <i>Erymax</i>
	30	1095	△ M
Erythromycin 250mg gastro- resistant tablets	28	322	△ M
	500	3583	▽ M
Erythromycin 40mg/ml / Zinc acetate 12mg/ml lotion	■ 30 ml	771	C <i>Zineryt</i>
	90 ml	2224	C <i>Zineryt</i>
Erythromycin ethyl succinate 125mg/5ml oral suspension	● 100 ml	280	△ M
Erythromycin ethyl succinate 125mg/5ml oral suspension sugar free	● 100 ml	282	△ M
Erythromycin ethyl succinate 250mg/5ml oral suspension	● 100 ml	349	△ M
Erythromycin ethyl succinate 250mg/5ml oral suspension sugar free	● 100 ml	369	△ M
Erythromycin ethyl succinate 500mg tablets	◆ 28	829	C <i>Erythroped A</i>
Erythromycin ethyl succinate 500mg/5ml oral suspension	● 100 ml	628	△ M

VIII

## BASIC PRICES OF DRUGS

Drug	Quantity	Basic Price	Category
Erythromycin ethyl succinate 500mg/5ml oral suspension sugar free	● 100 ml	586	△ M
Erythromycin stearate 250mg tablets	100	1631	C <i>Erythrocin</i>
Erythromycin stearate 500mg tablets	100	3276	C <i>Erythrocin 500</i>
Escitalopram 10mg tablets	28	1491	C <i>CipraleX</i>
Escitalopram 20mg tablets	28	2520	C <i>CipraleX</i>
Escitalopram 5mg tablets	28	897	C <i>CipraleX</i>
Esomeprazole 20mg tablets	28	1850	C <i>Nexium</i>
Esomeprazole 40mg tablets	◆ 28	2519	C <i>Nexium</i>
Estradiol 100mg implant	■ 1	3340	A
Estradiol 25 micrograms vaginal tablets	15	800	C <i>Vagifem</i>
Estradiol 25mg implant	■ 1	1295	A
Estradiol 50mg implant	■ 1	2108	A
Estropipate 1.5mg tablets	28	377	C <i>Harmogen</i>
Etamsylate 500mg tablets	100	878	C <i>Dicynene</i>
Ethanol 90% (including duty)	100 ml	697	△ A
Ethanolamine oleate 5% injection 2ml ampoules	10	2620	C <i>Martindale</i>
Ethanolamine oleate 5% injection 5ml ampoules	10	2290	A
Ether solvent	500 ml	748	A
Ethinylestradiol 10microgram tablets	21	1286	A
Ethinylestradiol 1mg tablets	28	2885	A
Ethinylestradiol 50microgram tablets	21	1516	A
Ethosuximide 250mg capsules	56	541	C <i>Zarontin</i>
Ethosuximide 250mg/5ml oral solution	200 ml	448	C <i>Zarontin</i>
Etodolac 600mg modified-release tablets	30	1550	C <i>Lodine SR</i>
Etoricoxib 120mg tablets	7	603	C <i>Arcoxia</i>
	28	2411	C <i>Arcoxia</i>
Etoricoxib 60mg tablets	28	2296	C <i>Arcoxia</i>
Etoricoxib 90mg tablets	28	2296	C <i>Arcoxia</i>
Eucalyptus oil liquid	500 ml	935	C <i>Loveridge</i>
Ezetimibe 10mg tablets	28	2631	C <i>Ezetrol</i>
Famciclovir 125mg tablets	10	3093	C <i>Famvir</i>
Famciclovir 250mg tablets	15	9279	C <i>Famvir</i>
	21	12989	C <i>Famvir</i>
	56	34639	C <i>Famvir</i>
Famciclovir 500mg tablets	14	17322	C <i>Famvir</i>
	30	37107	C <i>Famvir</i>
	56	69288	C <i>Famvir</i>

## BASIC PRICES OF DRUGS

Drug	Quantity	Basic Price	Category	
Famciclovir 750mg tablets	◆ 7	12399	C	<i>Famvir</i>
Famotidine 20mg tablets	28	662	△ M	
Famotidine 40mg tablets	28	1360	▽ M	
Felbinac 3% gel	■ 30 g	226	C	<i>Traxam Pain Relief Gel</i>
	■ 100 g	700	C	<i>Traxam</i>
Felbinac 3.17% foam	■ 100 g	700	C	<i>Traxam</i>
Felodipine 10mg modified-release tablets	◆ 28	1201	C	
Felodipine 2.5mg modified-release tablets	◆ 28	670	C	<i>Plendil</i>
Felodipine 5mg modified-release tablets	◆ 28	893	C	
Fenbufen 300mg capsules	◆ 84	2071	C	<i>Lederfen CP</i>
Fenbufen 300mg tablets	◆ 84	1037	▽ M	
Fenbufen 450mg tablets	◆ 56	1531	△ M	
Fenofibrate 200mg capsules (micronised)	◆ 28	1423	C	<i>Lipantil Micro 200</i>
Fentanyl 100micrograms/hour patches	5	8832	C	<i>Durogesic DTrans 100</i>
Fentanyl 25micrograms/hour patches	5	2752	C	<i>Durogesic DTrans 25</i>
Fentanyl 50micrograms/hour patches	5	5140	C	<i>Durogesic DTrans 50</i>
Fentanyl 75micrograms/hour patches	5	7166	C	<i>Durogesic DTrans 75</i>
Ferric chloride solution	500 ml	390	C	<i>Loveridge</i>
Ferrous fumarate 140mg/5ml oral solution	200 ml	300	C	<i>Fersamal Syrup</i>
Ferrous fumarate 140mg/5ml oral solution sugar free	300 ml	486	C	<i>Galfer Syrup</i>
Ferrous fumarate 210mg tablets	100	144	C	<i>Fersamal</i>
Ferrous gluconate 300mg tablets	1000	3655	A	
Ferrous sulphate 200mg tablets	◆ 28	193	△ M	
Fexofenadine 120mg tablets	30	623	C	<i>Telfast 120</i>
Fexofenadine 180mg tablets	30	789	C	<i>Telfast 180</i>
Fexofenadine 30mg tablets	60	568	C	<i>Telfast 30</i>
Finasteride 5mg tablets	◆ 28	1394	C	<i>Proscar</i>
Flavoxate 200mg tablets	90	1187	C	<i>Urispas 200</i>
Flecainide 100mg tablets	60	1983	△ M	
Flecainide 50mg tablets	60	1435	△ M	
Flexible collodion methylated	500 ml	1333	A	
Flucloxacillin 125mg/5ml oral solution	● 100 ml	561	△ M	
Flucloxacillin 125mg/5ml oral suspension	● 100 ml	325	C	<i>Floxapen Syrup</i>
Flucloxacillin 250mg capsules	28	361	△ M	
Flucloxacillin 250mg/5ml oral solution	● 100 ml	697	A	
Flucloxacillin 250mg/5ml oral suspension	● 100 ml	648	C	<i>Floxapen Syrup</i>
Flucloxacillin 500mg capsules	28	652	△ M	

## BASIC PRICES OF DRUGS

Drug	Quantity	Basic Price	Category
Fluconazole 150mg capsules	■ 1	185	△ M
Fluconazole 200mg capsules	◆ 7	483	△ M
Fluconazole 200mg/5ml oral suspension	● 35 ml	6642	C <i>Diflucan</i>
Fluconazole 50mg capsules	◆ 7	281	▽ M
Fluconazole 50mg/5ml oral suspension	● 35 ml	1661	C <i>Diflucan</i>
Fludrocortisone 100microgram tablets	56	250	C <i>Florinef</i>
Flunisolide 25micrograms/actuation nasal spray	■ 24 ml	505	C <i>Syntaris</i>
Fluocinolone 0.025% gel	■ 30 g	334	C <i>Synalar</i>
Fluoxetine 20mg capsules	◆ 30	152	△ M
Fluoxetine 20mg/5ml oral solution	■ 70 ml	1432	△ M
Fluoxetine 60mg capsules	30	4761	C <i>Prozac 60</i>
Flupentixol 1mg tablets	60	486	C <i>Fluanxol</i>
Flupentixol 3mg tablets	100	1392	C <i>Depixol</i>
Flupentixol 500microgram tablets	60	288	C <i>Fluanxol</i>
Fluphenazine decanoate 100mg/ml injection 1ml ampoules	5	4550	C <i>Modecate Concentrate</i>
Fluphenazine decanoate 25mg/ml injection 1ml ampoules	10	2346	C <i>Modecate</i>
Flurbiprofen 100mg tablets	100	6726	△ M
Flurbiprofen 200mg modified-release capsules	30	784	C <i>Froben SR</i>
Flurbiprofen 50mg tablets	100	3350	▽ M
Flutamide 250mg tablets	◆ 84	2333	△ M
Fluticasone 0.005% ointment	■ 15 g	241	C <i>Cutivate</i>
	■ 50 g	711	C <i>Cutivate</i>
Fluticasone 0.05% cream	■ 15 g	241	C <i>Cutivate</i>
	■ 50 g	711	C <i>Cutivate</i>
Fluticasone 100 micrograms/actuation dry powder inhaler	■ 60 dose	893	C <i>Flixotide Accuhaler</i>
Fluticasone 100micrograms/actuation / Salmeterol 50micrograms/actuation dry powder inhaler	■ 60 dose	3119	C <i>Seretide 100 Accuhaler</i>
Fluticasone 125micrograms/actuation / Salmeterol 25micrograms/actuation inhaler CFC free	■ 120 dose	3665	C <i>Seretide 125 Evohaler</i>
Fluticasone 125micrograms/actuation inhaler CFC free	■ 120 dose	2126	C <i>Flixotide Evohaler</i>
Fluticasone 250 micrograms/actuation dry powder inhaler	■ 60 dose	2126	C <i>Flixotide Accuhaler</i>
Fluticasone 250micrograms/actuation / Salmeterol 25micrograms/actuation inhaler CFC free	■ 120 dose	6229	C <i>Seretide 250 Evohaler</i>
Fluticasone 250micrograms/actuation / Salmeterol 50micrograms/actuation dry powder inhaler	■ 60 dose	3665	C <i>Seretide 250 Accuhaler</i>

## BASIC PRICES OF DRUGS

Drug	Quantity	Basic Price	Category
Fluticasone 250micrograms/ actuation inhaler CFC free	■ 120 dose	3614	C <i>Flixotide Evohaler</i>
Fluticasone 50 micrograms/ actuation dry powder inhaler	■ 60 dose	638	C <i>Flixotide Accuhaler</i>
Fluticasone 500 micrograms/ actuation dry powder inhaler	■ 60 dose	3614	C <i>Flixotide Accuhaler</i>
Fluticasone 500micrograms/ actuation / Salmeterol 50micrograms/actuation dry powder inhaler	■ 60 dose	4092	C <i>Seretide 500 Accuhaler</i>
Fluticasone 50micrograms/ actuation / Salmeterol 25micrograms/actuation inhaler CFC free	■ 120 dose	1814	C <i>Seretide 50 Evohaler</i>
Fluticasone 50micrograms/ actuation inhaler CFC free	■ 120 dose	544	C <i>Flixotide Evohaler</i>
Fluticasone 50micrograms/ actuation nasal spray	■ 150 dose	1169	C <i>Flixonase</i>
Fluvastatin 20mg capsules	◆ 28	1272	C <i>Lescol</i>
Fluvastatin 40mg capsules	◆ 28	1272	C <i>Lescol</i>
Fluvastatin 80mg modified-release tablets	28	1600	C <i>Lescol XL</i>
Fluvoxamine 100mg tablets	30	1276	▽ M
Fluvoxamine 50mg tablets	60	1230	▽ M
Folic acid 2.5mg/5ml oral solution sugar free	150 ml	916	C <i>Lexpec Syrup</i>
Folic acid 400microgram tablets	90	224	C <i>Preconceive</i>
Folic acid 5mg tablets	28	126	△ M
Formaldehyde solution	2 litre	505	A
	500 ml	315	C <i>Loveridge</i>
Formoterol 12micrograms inhalation powder capsules with device	■ 60	2657	C <i>Foradil</i>
Fosinopril 10mg tablets	◆ 28	940	▽ A
Fosinopril 20mg tablets	◆ 28	1035	▽ A
Furosemide 20mg tablets	28	105	△ M
	250	316	▽ M
Furosemide 40mg tablets	◆ 28	121	△ M
Furosemide 500mg tablets	28	901	▽ M
Fusidic acid 1% modified-release eye drops	■ 5 g	209	C <i>Fucithalmic Viscous Drops</i>
Fusidic acid 2% / Betamethasone valerate 0.1% cream	■ 30 g	562	C <i>Fucibet</i>
	■ 60 g	1123	C <i>Fucibet</i>
Fusidic acid 2% / Hydrocortisone acetate 1% cream	■ 30 g	530	C <i>Fucidin H</i>
	■ 60 g	1060	C <i>Fucidin H</i>
Fusidic acid 2% cream	■ 15 g	200	C <i>Fucidin</i>
	■ 30 g	379	C <i>Fucidin</i>

VIII

## BASIC PRICES OF DRUGS

Drug	Quantity	Basic Price	Category
Gabapentin 100mg capsules	100	2185	▽ M
Gabapentin 300mg capsules	100	4680	▽ M
Gabapentin 400mg capsules	100	5692	▽ M
Gabapentin 600mg tablets	100	10600	C
Gabapentin 800mg tablets	100	15334	▽ M
Gemfibrozil 300mg capsules	112	3326	△ M
Gemfibrozil 600mg tablets	30	1584	△ M
	◆ 56	3001	▽ M
Gentamicin 0.3% ear/eye drops	■ 10 ml	178	C <i>Genticin</i>
Gentian acid mixture	200 ml	65	E
Gentian compound infusion concentrated	500 ml	1350	C <i>Loveridge</i>
Ginger syrup	500 ml	117	E
Ginger tincture strong	500 ml	813	A
Glibenclamide 2.5mg tablets	◆ 28	89	△ M
Glibenclamide 5mg tablets	◆ 28	112	△ M
Gliclazide 30mg modified-release tablets	28	440	C <i>Diamicron</i>
	56	880	C <i>Diamicron</i>
Gliclazide 80mg tablets	28	199	△ M
	60	231	△ M
Glimepiride 1mg tablets	30	451	C <i>Amaryl</i>
Glimepiride 2mg tablets	30	742	C <i>Amaryl</i>
Glimepiride 3mg tablets	30	1119	C <i>Amaryl</i>
Glimepiride 4mg tablets	30	1482	C <i>Amaryl</i>
Glipizide 2.5mg tablets	28	148	C <i>Minodiab 2.5</i>
Glipizide 5mg tablets	28	126	C <i>Minodiab 5</i>
	56	549	△ M
Glucose 50% intravenous infusion 50ml vials	■ 1	440	A
Glucose liquid BPC1963	140 g	55	A
Glycerol 1g suppositories	12	81	A
Glycerol 2g suppositories	12	82	A
Glycerol 4g suppositories	12	218	△ M
Glycerol liquid	100 ml	66	A
Glyceryl trinitrate 300microgram sublingual tablets	■ 100	271	C <i>GTN</i>
Glyceryl trinitrate 400micrograms/actuation sublingual spray	■ 180 dose	263	C <i>Nitromin</i>
	■ 200 dose	313	C <i>Coro-Nitro</i>
Glyceryl trinitrate 500microgram sublingual tablets	■ 100	294	△ M
Glyceryl trinitrate 600microgram sublingual tablets	■ 100	543	△ M
Goserelin 10.8mg implant pre-filled syringes	■ 1	26748	C <i>Zoladex LA</i>
Goserelin 3.6mg implant pre-filled syringes	■ 1	8414	C <i>Zoladex</i>

## BASIC PRICES OF DRUGS

Drug	Quantity	Basic Price	Category
Halibut-liver oil 4000unit capsules	100	92	C AAH
Haloperidol 1.5mg tablets	28	255	△ M
Haloperidol 10mg tablets	28	804	△ M
Haloperidol 20mg tablets	28	1466	▽ M
Haloperidol 500microgram capsules	30	98	C Serenace
Haloperidol 5mg tablets	28	587	▽ M
	100	1268	A
Haloperidol 5mg/ml injection 1ml ampoules	5	155	C Haldol
Hamamelis water	500 ml	194	▽ C Unichem
Heparinoid 0.3% cream	■ 50 g	139	C Hirudoid
Heparinoid 0.3% gel	■ 50 g	139	C Hirudoid
Homatropine 1% eye drops	■ 10 ml	214	A
Homatropine 2% eye drops	■ 10 ml	226	A
Hydralazine 25mg tablets	56	311	△ M
Hydralazine 50mg tablets	56	565	△ M
Hydrochloric acid dilute liquid	500 ml	295	C Unichem
Hydrocortisone 0.1% cream	■ 15 g	165	C Dermacort
	■ 30 g	250	C Dioderm
Hydrocortisone 0.5% cream	■ 15 g	192	△ M
	■ 30 g	61	C Efcortelan
Hydrocortisone 0.5% ointment	■ 15 g	215	△ M
	■ 30 g	61	C Efcortelan
Hydrocortisone 1% cream	■ 15 g	263	△ M
	■ 30 g	309	△ M
	■ 50 g	386	△ M
Hydrocortisone 1% ointment	■ 15 g	234	△ M
	■ 30 g	317	△ M
	■ 50 g	466	△ M
Hydrocortisone 10mg tablets	30	70	C Hydrocortone
Hydrocortisone 2.5% cream	■ 15 g	368	△ M
	■ 30 g	170	C Efcortelan
Hydrocortisone 2.5% eye ointment	■ 3 g	244	C Martindale
Hydrocortisone 2.5% ointment	■ 15 g	437	△ M
	■ 30 g	170	C Efcortelan
Hydrocortisone 2.5mg oromucosal tablets	20	254	C Corlan Pellets
Hydrocortisone 20mg tablets	30	107	C Hydrocortone
Hydrocortisone acetate 1% / Gentamicin 0.3% ear drops	■ 10 ml	369	C Gentisone HC
Hydrocortisone butyrate 0.1% cream	■ 30 g	229	C Locoid
	■ 100 g	705	C Locoid
Hydrocortisone butyrate 0.1% ointment	■ 30 g	229	C Locoid
	■ 100 g	705	C Locoid
Hydrocortisone powder	5 g	1455	A
Hydrocortisone sodium succinate 100mg injection vials and diluent	■ 1	116	C Solu - Cortef

VIII

## BASIC PRICES OF DRUGS

Drug	Quantity	Basic Price	Category
Hydrogen peroxide 1.5% ear drops	10 ml	1	E
Hydrogen peroxide 6% solution	2 litre	356	A
Hydrotalcite 500mg/5ml oral suspension	500 ml	196	C <i>Peckforton Pharmaceuticals Ltd</i>
Hydrous ointment	500 g	199	A
Hydrous wool fat	500 g	545	C <i>Loveridge</i>
Hydroxocobalamin 1mg/ml injection 1ml ampoules	5	1231	A
Hydroxycarbamide 500mg capsules	100	1111	C <i>Hydrea</i>
Hydroxychloroquine 200mg tablets	60	455	C <i>Plaquenil</i>
Hydroxyzine 10mg tablets	84	182	C <i>Atarax</i>
Hydroxyzine 25mg tablets	28	122	C <i>Atarax</i>
Hyoscine butylbromide 10mg tablets	56	259	C <i>Buscopan</i>
Hyoscine hydrobromide 400micrograms/ml injection 1ml ampoules	10	2692	▽ A
Hypromellose 0.3% eye drops	■ 10 ml	161	△ M
Hypromellose 0.5% eye drops	■ 10 ml	85	C <i>Isopto Plain</i>
Hypromellose 1% eye drops	■ 10 ml	99	C <i>Isopto Alkaline</i>
Ibuprofen 100mg/5ml oral suspension	500 ml	888	C <i>Brufen Syrup</i>
Ibuprofen 100mg/5ml oral suspension sugar free	100 ml	289	△ M
	150 ml	271	C <i>Nurofen</i>
Ibuprofen 200mg tablets	84	265	△ M
Ibuprofen 400mg tablets	84	331	M
Ibuprofen 5% cream	■ 30 g	268	C <i>Proflex Pain Relief Cream</i>
	■ 100 g	621	C <i>Proflex</i>
Ibuprofen 5% gel	■ 30 g	210	C <i>Fenbid</i>
	■ 50 g	246	A
	■ 100 g	531	A
Ibuprofen 600mg effervescent granules sachets	20	680	C <i>Brufen</i>
Ibuprofen 600mg tablets	84	592	△ M
	100	408	△ M
Ibuprofen 800mg modified-release tablets	◆ 56	674	C <i>Brufen Retard</i>
Ichthammol glycerin liquid	500 ml	669	A
Ichthammol liquid	100 g	405	A
Imipramine 10mg tablets	28	202	△ M
Imipramine 25mg tablets	28	201	△ M
Indapamide 1.5mg modified-release tablets	30	450	C <i>Natrilix SR</i>
Indapamide 2.5mg tablets	28	375	△ M
	56	681	△ M
Indometacin 25mg capsules	28	217	△ M



## BASIC PRICES OF DRUGS

Drug	Quantity	Basic Price	Category
Indometacin 50mg capsules	28	188	△ M
Indoramin 20mg tablets	60	1137	▽ A
Indoramin 25mg tablets	84	900	C <i>Baratol</i>
Industrial methylated spirit 95%	500 ml	175	C <i>Loveridge</i>
Iodine aqueous oral solution	100 ml	195	C <i>Thornton &amp; Ross</i>
	500 ml	595	A
Iodine crystals	100 g	800	C <i>Loveridge</i>
Iodine solution strong	500 ml	660	C <i>Loveridge</i>
Ipecacuanha alkaline mixture	200 ml	22	E
Ipecacuanha and Ammonia mixture paediatric	100 ml	12	E
Ipecacuanha mixture paediatric	100 ml	17	E
Ipecacuanha tincture	500 ml	818	A
Ipratropium 20micrograms/ actuation inhaler CFC free	■ 200 dose	421	C <i>Atrovent</i>
Ipratropium 21micrograms/ actuation nasal spray	■ 15 ml	455	C <i>Rinatec Aqueous</i>
Irbesartan 150mg tablets	◆ 28	1257	C <i>Aprovel</i>
Irbesartan 300mg tablets	◆ 28	1691	C <i>Aprovel</i>
Irbesartan 75mg tablets	◆ 28	1029	C <i>Aprovel</i>
Isoniazid 100mg tablets	28	577	A
Isoniazid 50mg tablets	56	578	A
Isopropyl myristate 15% / Liquid paraffin 15% gel	■ 100 g	277	C <i>Doublebase</i>
	■ 500 g	609	C <i>Doublebase</i>
Isosorbide dinitrate 10mg tablets	56	291	△ M
Isosorbide dinitrate 20mg tablets	56	417	△ M
Isosorbide mononitrate 10mg tablets	56	130	△ M
Isosorbide mononitrate 20mg tablets	56	161	△ M
Isosorbide mononitrate 25mg modified-release capsules	◆ 28	659	C <i>Elantan LA 25</i>
Isosorbide mononitrate 40mg tablets	56	308	▽ M
Isosorbide mononitrate 50mg modified-release capsules	◆ 28	1054	C <i>Elantan LA 50</i>
Isosorbide mononitrate 50mg modified-release tablets	◆ 28	675	C <i>Isotard 50 XL</i>
Isosorbide mononitrate 60mg modified-release capsules	◆ 28	903	C <i>Monomax SR 60</i>
Isosorbide mononitrate 60mg modified-release tablets	◆ 28	1114	C
Ispaghula husk 3.4g oral powder sachets gluten free sugar free	30	212	C <i>Regulan</i>
Ispaghula husk 3.5g effervescent granules sachets gluten free sugar free	30	212	C <i>Fybogel</i>
Ispaghula husk 3.5g granules sachets gluten free	10	123	C <i>Fibrelied Orange</i>
	30	207	C <i>Fibrelied Orange</i>

VIII

## BASIC PRICES OF DRUGS

Drug	Quantity	Basic Price	Category	
Ispaghula husk 3.5g granules sachets gluten free sugar free	10	123	C	<i>Fibrelied</i>
	30	207	C	<i>Fibrelied</i>
Itraconazole 100mg capsules	4	398	C	<i>Sporanox</i>
	15	1482	▽ A	
	60	5975	C	<i>Sporanox</i>
Kaolin and Morphine mixture	200 ml	42	C	<i>Unichem</i>
Kaolin light powder	1 kg	425	C	<i>Loveridge</i>
Kaolin mixture	2 litre	428	A	
	200 ml	50	A	
Kaolin mixture paediatric	500 ml	200	A	
Kaolin poultices	■ 200 g	212	A	
	■ 500 g	320	C	<i>K/L</i>
Ketoconazole 2% cream	■ 30 g	362	C	<i>Nizoral</i>
Ketoconazole 2% shampoo	■ 120 ml	591	▽ M	
Ketoconazole 200mg tablets	30	1491	C	<i>Nizoral</i>
Ketoprofen 100mg capsules	56	1373	▽ M	
Ketoprofen 2.5% gel	■ 30 g	261	C	<i>Oruvail</i>
	■ 50 g	306	C	<i>Powergel</i>
	■ 100 g	586	A	
Ketoprofen 50mg capsules	28	902	△ M	
	112	1607	C	<i>Orudis</i>
Ketorolac 0.5% eye drops	■ 5 ml	500	C	<i>Acular</i>
Ketotifen 1mg/5ml oral solution sugar free	300 ml	1157	C	<i>Zaditen Elixir</i>
Labetalol 100mg tablets	56	976	△ M	
Labetalol 200mg tablets	56	1511	△ M	
Labetalol 400mg tablets	56	2189	△ M	
Labetalol 50mg tablets	◆ 56	379	C	<i>Trandate</i>
Lacidipine 2mg tablets	◆ 28	951	▽ C	<i>Motens</i>
Lacidipine 4mg tablets	◆ 28	1423	▽ C	<i>Motens</i>
Lactic acid liquid	250 ml	370	C	<i>Loveridge</i>
Lactose powder	500 g	280	C	<i>Loveridge</i>
Lactulose 3.1-3.7g/5ml oral solution	300 ml	318	△ M	
	500 ml	341	△ M	
Lamotrigine 100mg dispersible tablets	56	5980	▽ A	
Lamotrigine 100mg tablets	56	5030	▽ A	
Lamotrigine 200mg tablets	56	8572	▽ A	
Lamotrigine 25mg dispersible tablets	56	2041	A	

## BASIC PRICES OF DRUGS

Drug	Quantity	Basic Price	Category
Lamotrigine 25mg tablets	21	765	C <i>Lamictal</i>
	42	1530	C <i>Lamictal</i>
	56	1760	▽ A
Lamotrigine 2mg dispersible tablets	30	871	C <i>Lamictal Dispersible</i>
Lamotrigine 50mg tablets	56	2940	▽ A
Lamotrigine 5mg dispersible tablets	28	814	A
Lansoprazole 15mg gastro-resistant capsules	◆	28	1292 C <i>Zoton</i>
Lansoprazole 15mg orodispersible tablets	◆	28	1086 C <i>Zoton FasTab</i>
Lansoprazole 30mg gastro-resistant capsules	◆	28	2363 C <i>Zoton</i>
Lansoprazole 30mg gastro-resistant granules sachets	28	3397	C <i>Zoton</i>
Lansoprazole 30mg orodispersible tablets	◆	14	994 C <i>Zoton FasTab</i>
	◆	28	1988 C <i>Zoton FasTab</i>
Latanoprost 50micrograms/ml eye drops	■	2.5 ml	1314 C <i>Xalatan</i>
Leflunomide 10mg tablets	■	30	5113 C <i>Arava</i>
Leflunomide 20mg tablets	■	30	5113 C <i>Arava</i>
Lemon spirit	100 ml	554	A
Lercanidipine 10mg tablets	◆	28	580 C <i>Zanidip</i>
Letrozole 2.5mg tablets	◆	14	4158 C <i>Femara</i>
	◆	28	8316 C <i>Femara</i>
Levetiracetam 1g tablets	60	10110	C <i>Keppra</i>
Levetiracetam 250mg tablets	60	2970	C <i>Keppra</i>
Levetiracetam 500mg tablets	60	5230	C <i>Keppra</i>
Levetiracetam 750mg tablets	60	8910	C <i>Keppra</i>
Levobunolol 0.5% eye drops	■	5 ml	331 △ M
Levocetirizine 5mg tablets	30	745	C <i>Xyzal</i>
Levonorgestrel 1.5mg tablets	■	1	511 C <i>Levonelle 1500</i>
Levonorgestrel 750microgram tablets	2	511	C <i>Levonelle-2</i>
Levothyroxine sodium 100microgram tablets	28	118	△ M
	1000	678	▽ M
Levothyroxine sodium 25microgram tablets	28	110	△ M
	500	1009	△ M
Levothyroxine sodium 50microgram tablets	28	130	△ M
	1000	783	▽ M
Lidocaine 1% injection 10ml ampoules	10	347	A
Lidocaine 1% injection 20ml ampoules	10	623	A
Lidocaine 1% injection 2ml ampoules	10	213	A
Lidocaine 1% injection 5ml ampoules	10	227	A

VIII

## BASIC PRICES OF DRUGS

Drug	Quantity	Basic Price	Category	
Lidocaine 2% / Chlorhexidine 0.25% gel 11ml pre-filled syringes	10	1576	C	<i>Instillagel</i>
Lidocaine 2% / Chlorhexidine 0.25% gel 6ml pre-filled syringes	10	1405	C	<i>Instillagel</i>
Lidocaine 2% injection 20ml ampoules	10	609	▽ A	
Lidocaine 2% injection 2ml ampoules	10	277	A	
Lidocaine 2% injection 5ml ampoules	10	254	A	
Linseed oil liquid	500 ml	215	C	<i>Unichem</i>
Liothyronine 20microgram tablets	100	1592	C	<i>Tertroxin</i>
Liquid paraffin / Magnesium hydroxide oral emulsion	2 litre	633	A	
Liquid paraffin 50% / White soft paraffin 50% ointment	150 ml	93	A	
Liquid paraffin 50% / White soft paraffin 50% ointment	500 g	376	C	<i>Unichem</i>
Liquid paraffin light liquid	500 ml	240	C	<i>Loveridge</i>
Liquid paraffin liquid	2 litre	440	A	
Liquid paraffin oral emulsion	500 ml	300	C	<i>Loveridge</i>
Liquorice liquid extract	500 ml	481	A	
Lisinopril 10mg / Hydrochlorothiazide 12.5mg tablets	◆ 28	1138	▽ A	
Lisinopril 10mg tablets	◆ 28	198	M	
Lisinopril 2.5mg tablets	◆ 28	130	M	
Lisinopril 20mg / Hydrochlorothiazide 12.5mg tablets	◆ 28	1286	▽ A	
Lisinopril 20mg tablets	◆ 28	268	M	
Lisinopril 5mg tablets	◆ 28	154	▽ M	
Lithium carbonate 200mg modified-release tablets	100	279	C	<i>Priadel 200</i>
Lithium carbonate 250mg tablets	100	322	C	<i>Camcolit 250</i>
Lithium carbonate 450mg modified-release tablets	60	288	C	<i>Liskonum</i>
Lodoxamide 0.1% eye drops	■ 10 ml	548	C	<i>Alomide Ophthalmic Solution</i>
Lofepamine 70mg tablets	◆ 56	2174	△ M	
Loperamide 1mg/5ml oral solution sugar free	100 ml	100	C	<i>Imodium Syrup</i>
Loperamide 2mg capsules	30	134	△ M	
Loperamide 2mg tablets	30	215	C	<i>Norimode</i>
Loprazolam 1mg tablets	28	446	C	<i>Sanofi-Aventis</i>
Loratadine 10mg tablets	30	206	△ M	
Loratadine 5mg/5ml oral solution	100 ml	588	▽ A	
Lorazepam 1mg tablets	28	438	△ M	
Lorazepam 2.5mg tablets	28	675	▽ M	
Lormetazepam 1mg tablets	30	1676	△ M	

## BASIC PRICES OF DRUGS

Drug	Quantity	Basic Price	Category
Lormetazepam 500microgram tablets	30	1416	△ M
Losartan 100mg tablets	◆ 28	2420	C Cozaar
Losartan 25mg tablets	◆ 28	1809	C Cozaar
Losartan 50mg tablets	◆ 28	1809	C Cozaar
Lymecycline 408mg capsules	◆ 28	716	C Tetralysal 300
	◆ 56	1426	C Tetralysal 300
Magnesium carbonate light powder	500 g	460	C Loveridge
Magnesium carbonate mixture aromatic	2 litre	660	A
Magnesium hydroxide oral suspension	500 ml	214	A
Magnesium sulphate 50% injection 2ml ampoules	10	2833	A
Magnesium sulphate dried powder	1 kg	550	C Loveridge
Magnesium sulphate mixture	200 ml	33	E
Magnesium sulphate paste	25 g	60	A
	50 g	73	A
Magnesium sulphate powder	500 g	85	C Loveridge
Magnesium trisilicate oral suspension	200 ml	48	A
Magnesium trisilicate powder	500 g	590	C Loveridge
Malathion 0.5% alcoholic lotion	■ 50 ml	222	C
	■ 200 ml	570	C
Malathion 0.5% aqueous liquid	■ 50 ml	222	C Derbac-M
	■ 200 ml	570	C Derbac-M
Malathion 1% cream shampoo	■ 40 g	277	C Prioderm
Mebendazole 100mg chewable tablets	6	145	C Vermox
Mebendazole 100mg/5ml oral suspension	■ 30 ml	168	C Vermox
Mebeverine 135mg tablets	100	898	△ M
Mecysteine 100mg gastro-resistant tablets	100	1765	C Visclair
Medroxyprogesterone 100mg tablets	100	4994	C Provera
Medroxyprogesterone 10mg tablets	10	247	C Provera
	90	2216	C Provera
Medroxyprogesterone 150mg/ml injection 1ml pre-filled syringes	■ 1	501	C Depo-Provera
Medroxyprogesterone 2.5mg tablets	30	184	C Provera
Medroxyprogesterone 200mg tablets	30	2965	C Provera
Medroxyprogesterone 400mg tablets	30	5867	C Provera
Medroxyprogesterone 5mg tablets	10	123	C Provera
Mefenamic acid 250mg capsules	100	442	△ M

VIII

## BASIC PRICES OF DRUGS

Drug	Quantity	Basic Price	Category
Mefenamic acid 500mg tablets	28	322	△ M
	100	1127	▽ M
Megestrol 160mg tablets	30	2725	C <i>Megace</i>
Megestrol 40mg tablets	120	2835	C <i>Megace</i>
Meloxicam 15mg suppositories	12	558	▽ C <i>Mobic</i>
Meloxicam 15mg tablets	30	1293	▽ C <i>Mobic</i>
Meloxicam 7.5mg suppositories	12	372	▽ C <i>Mobic</i>
Meloxicam 7.5mg tablets	30	930	▽ C <i>Mobic</i>
Menthol and Eucalyptus inhalation	100 ml	66	A
Menthol crystals	5 g	68	C <i>AAH</i>
Meptazinol 200mg tablets	112	2211	C <i>Meptid</i>
Mesalazine 400mg gastro-resistant tablets	90	3122	C <i>Asacol</i>
	120	4162	C <i>Asacol</i>
Metformin 1g / Rosiglitazone 2mg tablets	56	2771	C <i>Avandamet</i>
Metformin 1g / Rosiglitazone 4mg tablets	56	5245	C <i>Avandamet</i>
Metformin 500mg / Rosiglitazone 2mg tablets	112	5245	C <i>Avandamet</i>
Metformin 500mg tablets	28	150	△ M
	84	226	△ M
Metformin 850mg tablets	56	227	△ M
	★ 300	753	▽ M
Methadone 10mg/ml injection 1ml ampoules	10	859	A
Methadone 10mg/ml injection 2ml ampoules	10	1450	A
Methadone 10mg/ml injection 3.5ml ampoules	10	1783	A
Methadone 10mg/ml injection 5ml ampoules	10	1923	A
Methadone 1mg/ml oral solution	30 ml	44	C <i>Unichem</i>
	50 ml	73	C <i>Unichem</i>
	100 ml	135	C <i>Physeptone Mixture</i>
	500 ml	759	A
Methadone 1mg/ml oral solution sugar free	30 ml	44	C <i>Rosemont</i>
	50 ml	73	C <i>Rosemont</i>
	100 ml	145	A
	500 ml	725	A
Methadone 2mg/5ml linctus	500 ml	539	A
Methadone 5mg tablets	50	297	C <i>Physeptone</i>
Methadone hydrochloride powder	2 g	959	A
Methocarbamol 750mg tablets	100	1265	C <i>Robaxin 750</i>
Methotrexate 10mg tablets	100	5507	A
Methotrexate 2.5mg tablets	28	327	A
	100	1141	A
Methyl salicylate 25% liniment	500 ml	345	A
Methyl salicylate 50% ointment	500 g	510	A
Methyl salicylate liquid	500 ml	530	A

## BASIC PRICES OF DRUGS

Drug	Quantity	Basic Price	Category
Methylcellulose 500mg tablets	112	269	C <i>Celevac</i>
Methylcellulose powder	500 g	2165	C <i>Loveridge</i>
Methyldopa 125mg tablets	56	414	△ M
Methyldopa 250mg tablets	56	352	△ M
Methyldopa 500mg tablets	56	579	△ M
Methylphenidate 10mg tablets	30	510	▽ A
Methylphenidate 18mg modified-release tablets	30	2700	C <i>Concerta XL</i>
Methylphenidate 20mg tablets	30	998	C <i>Equasym</i>
Methylphenidate 36mg modified-release tablets	30	3675	C <i>Concerta XL</i>
Methylphenidate 5mg tablets	30	278	C <i>Equasym</i>
Metoclopramide 10mg tablets	28	161	△ M
Metoclopramide 5mg/ml injection 2ml ampoules	10	259	A
Metolazone 5mg tablets	100	1894	C <i>Metenix 5</i>
Metoprolol 100mg tablets	28	431	△ M
	◆ 56	356	△ M
	★ 100	794	▽ M
Metoprolol 50mg tablets	28	252	△ M
	◆ 56	242	△ M
	★ 100	461	▽ M
Metronidazole 200mg tablets	21	147	△ M
Metronidazole 200mg/5ml oral suspension	100 ml	770	A
Metronidazole 400mg tablets	21	191	△ M
	100	551	▽ M
Metronidazole 500mg tablets	21	731	△ M
Mianserin 10mg tablets	28	585	△ M
Mianserin 20mg tablets	28	412	A
Mianserin 30mg tablets	28	1121	△ M
Miconazole 2% / Hydrocortisone 1% cream	■ 30 g	213	C <i>Daktacort</i>
Miconazole 2% / Hydrocortisone 1% ointment	■ 30 g	214	C <i>Daktacort</i>
Miconazole 2% cream	■ 30 g	197	C <i>Daktarin</i>
Miconazole 20mg/g oromucosal gel sugar free	■ 15 g	245	C <i>Daktarin</i>
	■ 80 g	475	C <i>Daktarin</i>
Minocycline 100mg modified-release capsules	◆ 56	2114	C
Minocycline 100mg tablets	28	1604	△ M
Minocycline 50mg tablets	28	894	▽ M
Mirtazapine 15mg orodispersible tablets	30	1919	C <i>Zispin SolTab</i>
Mirtazapine 30mg orodispersible tablets	30	1919	C <i>Zispin SolTab</i>
Mirtazapine 30mg tablets	◆ 28	962	▽ M
Mirtazapine 45mg orodispersible tablets	30	1919	C <i>Zispin SolTab</i>
Misoprostol 200microgram tablets	60	1003	C <i>Cytotec</i>

VIII

## BASIC PRICES OF DRUGS

Drug	Quantity	Basic Price	Category
Mizolastine 10mg modified release tablets	30	577	C <i>Mizollen</i>
Moclobemide 150mg tablets	30	622	▽ M
Moclobemide 300mg tablets	30	1080	▽ M
Mometasone 0.1% cream	■ 30 g	454	C <i>Elocon</i>
	■ 100 g	1307	C <i>Elocon</i>
Mometasone 0.1% ointment	■ 30 g	454	C <i>Elocon</i>
	■ 100 g	1307	C <i>Elocon</i>
Mometasone 0.1% scalp lotion	■ 30 ml	454	C <i>Elocon</i>
Mometasone 50micrograms/actuation nasal spray	■ 140 dose	783	C <i>Nasonex</i>
Montelukast 10mg tablets	◆ 28	2697	C <i>Singulair</i>
Montelukast 4mg chewable tablets	◆ 28	2569	C <i>Singulair</i>
Montelukast 4mg granules sachets	28	2569	C <i>Singulair</i>
Montelukast 5mg chewable tablets	◆ 28	2569	C <i>Singulair</i>
Morphine 100mg modified-release tablets	60	4066	C <i>MST Continus</i>
Morphine 10mg modified-release capsules	60	408	C <i>Zomorph</i>
Morphine 10mg modified-release tablets	60	548	C <i>MST Continus</i>
Morphine 15mg modified-release tablets	60	961	C <i>MST Continus</i>
Morphine 200mg modified-release capsules	60	6035	C <i>Zomorph</i>
Morphine 200mg modified-release tablets	60	8134	C <i>MST Continus</i>
Morphine 30mg modified-release capsules	60	977	C <i>Zomorph</i>
Morphine 30mg modified-release tablets	60	1317	C <i>MST Continus</i>
Morphine 5mg modified-release tablets	60	329	C <i>MST Continus</i>
Morphine 60mg modified-release capsules	60	1906	C <i>Zomorph</i>
Morphine 60mg modified-release tablets	60	2569	C <i>MST Continus</i>
Morphine and Cocaine elixir	200 ml	564	△ E
Morphine hydrochloride powder	2 g	1359	A
Morphine sulphate 10mg/ml injection 1ml ampoules	5	362	A
Morphine sulphate 15mg suppositories	12	714	A
Morphine sulphate 15mg/ml injection 1ml ampoules	5	420	A
Morphine sulphate 30mg suppositories	12	1038	▽ A
Morphine sulphate 30mg/ml injection 1ml ampoules	5	545	A
Morphine sulphate powder	2 g	1120	C <i>Martindale</i>
	5 g	2781	A
Mouthwash solution tablets	■ 100	749	△ M



## BASIC PRICES OF DRUGS

Drug	Quantity	Basic Price	Category
Moxonidine 200microgram tablets	◆ 28	819	▽ A
Moxonidine 300microgram tablets	◆ 28	968	▽ A
Moxonidine 400microgram tablets	◆ 28	1174	▽ A
Mupirocin 2% cream	■ 15 g	438	C <i>Bactroban</i>
Mupirocin 2% nasal ointment	■ 3 g	580	C <i>Bactroban Nasal</i>
Mupirocin 2% ointment	■ 15 g	438	C <i>Bactroban</i>
Nabumetone 500mg tablets	56	1261	△ M
Nabumetone 500mg/5ml oral suspension sugar free	300 ml	2890	C <i>Relifex</i>
Naftidrofuryl 100mg capsules	◆ 84	925	△ M
	100	1023	C <i>Praxilene</i>
	500	4975	C <i>Praxilene</i>
Naproxen 250mg gastro-resistant tablets	56	598	△ M
Naproxen 250mg tablets	28	196	△ M
	250	421	▽ M
Naproxen 500mg gastro-resistant tablets	56	1036	△ M
Naproxen 500mg tablets	28	219	△ M
	100	459	▽ M
Naproxen sodium 275mg tablets	60	754	C <i>Synflex</i>
Naratriptan 2.5mg tablets	6	2455	C <i>Naramig</i>
Nebivolol 5mg tablets	◆ 28	923	C <i>Nebilet</i>
Nedocromil 2% eye drops	■ 5 ml	512	C <i>Rapitil</i>
Nefopam 30mg tablets	90	1118	C <i>Acupan</i>
Neomycin 0.5% / Betamethasone valerate 0.1% cream	■ 30 g	176	C <i>Betnovate-N</i>
	100 g	488	C <i>Betnovate-N</i>
Neomycin 0.5% / Betamethasone valerate 0.1% ointment	■ 30 g	176	C <i>Betnovate-N</i>
	100 g	488	C <i>Betnovate-N</i>
Neomycin 0.5% / Chlorhexidine hydrochloride 0.1% cream	■ 15 g	158	C <i>Naseptin</i>
Neomycin 0.5% cream	■ 15 g	430	△ M
Neomycin 0.5% eye ointment	■ 3 g	244	A
Nicardipine 20mg capsules	56	1159	△ M
Nicardipine 30mg capsules	56	1113	▽ M
Nicardipine 30mg modified-release capsules	56	1021	C <i>Cardene SR</i>
Nicardipine 45mg modified-release capsules	56	1486	C <i>Cardene SR</i>
Nicorandil 10mg tablets	60 (6x■10)	818	C <i>Ikorel</i>
Nicorandil 20mg tablets	60 (6x■10)	1554	C <i>Ikorel</i>
Nicotine 10mg inhalation cartridges with device	■ 6	339	C <i>Nicorette Inhalator</i>
	■ 42	1137	C <i>Nicorette Inhalator</i>

## BASIC PRICES OF DRUGS

Drug	Quantity	Basic Price	Category
Nicotine 10mg/16hours patches	7	907	C <i>Nicorette</i>
Nicotine 15mg/16hours patches	7	907	C <i>Nicorette</i>
Nicotine 21mg/24hours patches	7	997	C
Nicotine 2mg lozenges sugar free	36	512	C <i>Niquitin CQ</i>
	72	997	C <i>Niquitin CQ</i>
Nicotine 2mg medicated chewing gum sugar free	30	325	C <i>Nicorette</i>
	96	826	C <i>Nicotinell</i>
	105	889	C <i>Nicorette</i>
Nicotine 2mg sublingual tablets	105	984	C <i>Nicorette Microtabs</i>
Nicotine 4mg lozenges sugar free	36	512	C <i>Niquitin CQ</i>
	72	997	C <i>Niquitin CQ</i>
Nicotine 4mg medicated chewing gum sugar free	30	399	C <i>Nicorette</i>
	96	1026	C <i>Nicotinell</i>
	105	1083	C <i>Nicorette</i>
Nicotine 500micrograms/actuation nasal spray	■ 10 ml	1099	C <i>Nicorette</i>
Nicotine 5mg/16hours patches	7	907	C <i>Nicorette</i>
Nicotine bitartrate 1mg lozenges sugar free	96	912	C <i>Nicotinell</i>
Nicotine bitartrate 2mg lozenges sugar free	36	495	C <i>Nicotinell</i>
	96	1060	C <i>Nicotinell</i>
Nifedipine 10mg capsules	84	522	△ M
Nifedipine 10mg modified-release capsules	60	427	C <i>Coracten SR</i>
Nifedipine 20mg modified-release capsules	60	593	C <i>Coracten SR</i>
Nifedipine 5mg capsules	84	485	△ M
Nifedipine 60mg modified-release tablets	◆ 28	969	C <i>Adalat LA 60</i>
Nitrazepam 2.5mg/5ml oral suspension	150 ml	530	C <i>Somnite</i>
Nitrazepam 5mg tablets	28	98	△ M
Nitrofurantoin 100mg capsules	30	576	C <i>Macrochantin</i>
Nitrofurantoin 100mg modified-release capsules	14	489	C <i>Macrobid</i>
Nitrofurantoin 100mg tablets	28	373	▽ A
	100	1315	▽ M
Nitrofurantoin 50mg capsules	30	305	C <i>Macrochantin</i>
Nitrofurantoin 50mg tablets	28	182	▽ A
	100	531	▽ M
Nizatidine 150mg capsules	30	527	△ M
Nizatidine 300mg capsules	30	838	▽ M
Norethisterone 1mg tablets	36	356	C <i>Micronor HRT</i>
	(3x■12)		
Norethisterone 5mg tablets	30	289	△ M
Norfloxacin 400mg tablets	6	335	△ M
	14	758	△ M
Nortriptyline 10mg tablets	100	1206	C <i>Allegron</i>

## BASIC PRICES OF DRUGS

Drug	Quantity	Basic Price	Category
Nortriptyline 25mg tablets	100	2452	C <i>Allegron</i>
Nystatin 100,000unit pastilles	■ 28	301	C <i>Nystan</i>
Nystatin 100,000unit pessaries	■ 28	182	C <i>Nystan</i>
Nystatin 100,000units/4g application vaginal cream	■ 60 g	258	C <i>Nystan</i>
Nystatin 100,000units/g cream	■ 30 g	203	C <i>Nystan</i>
Nystatin 100,000units/g ointment	■ 30 g	163	C <i>Nystan</i>
Nystatin 100,000units/ml oral suspension	■ 30 ml	191	C <i>Nystan</i>
Nystatin 100,000units/ml oral suspension sugar free	■ 30 ml	184	C <i>Nystamont</i>
Nystatin 500,000unit tablets	56	437	C <i>Nystan</i>
Ofloxacin 200mg tablets	10	1207	▽ M
	20	1566	C <i>Tarivid</i>
	100	7832	C <i>Tarivid</i>
Ofloxacin 400mg tablets	5	1244	▽ M
	10	1362	△ M
	50	7799	C <i>Tarivid 400</i>
Olanzapine 10mg oral lyophilisates	28	11219	C <i>Zyprexa Velotab</i>
Olanzapine 10mg tablets	28	7945	C <i>Zyprexa</i>
	56	15890	C <i>Zyprexa</i>
Olanzapine 15mg oral lyophilisates	28	16829	C <i>Zyprexa Velotab</i>
Olanzapine 15mg tablets	28	14634	C <i>Zyprexa</i>
Olanzapine 2.5mg tablets	28	3329	C <i>Zyprexa</i>
Olanzapine 5mg oral lyophilisates	28	5610	C <i>Zyprexa Velotab</i>
Olanzapine 5mg tablets	28	4878	C <i>Zyprexa</i>
Olanzapine 7.5mg tablets	56	14634	C <i>Zyprexa</i>
Oleic acid liquid	500 ml	425	C <i>Loveridge</i>
Olive oil liquid	2 litre	1450	C <i>Thornton &amp; Ross</i>
Olmesartan 10mg tablets	28	1095	C <i>Olmotec</i>
Olmesartan 20mg tablets	28	1295	C <i>Olmotec</i>
Olmesartan 40mg tablets	28	1750	C <i>Olmotec</i>
Olsalazine 250mg capsules	112	2057	C <i>Dipentum</i>
Omeprazole 10mg dispersible gastro-resistant tablets	◆ 28	1934	C <i>Losec MUPS</i>
Omeprazole 10mg gastro-resistant capsules	28	549	△ M
Omeprazole 10mg gastro-resistant tablets	28	1153	△ M
Omeprazole 20mg dispersible gastro-resistant tablets	◆ 28	2922	C <i>Losec MUPS</i>
Omeprazole 20mg gastro-resistant capsules	28	1128	△ M
Omeprazole 20mg gastro-resistant tablets	28	1259	△ M
Omeprazole 40mg dispersible gastro-resistant tablets	◆ 7	1461	C <i>Losec MUPS</i>

VIII

## BASIC PRICES OF DRUGS

Drug	Quantity	Basic Price	Category
Omeprazole 40mg gastro-resistant capsules	7	605	△ M
Omeprazole 40mg gastro-resistant tablets	7	1236	△ M
Orange syrup	500 ml	570	C <i>Loveridge</i>
Orange tincture	100 ml	650	C <i>Loveridge</i>
Orciprenaline 10mg/5ml oral solution sugar free	300 ml	226	C <i>Alupent Syrup</i>
Orlistat 120mg capsules	84	3951	C <i>Xenical</i>
Orphenadrine 50mg tablets	100	807	△ M
Oxazepam 10mg tablets	28	222	△ M
Oxazepam 15mg tablets	28	240	△ M
Oxcarbazepine 150mg tablets	50	1000	C <i>Trileptal</i>
Oxcarbazepine 300mg tablets	50	2000	C <i>Trileptal</i>
Oxcarbazepine 600mg tablets	50	4000	C <i>Trileptal</i>
Oxerutins 250mg capsules	120	1305	C <i>Paroven</i>
Oxprenolol 20mg tablets	56	155	C <i>Trasicor</i>
Oxprenolol 40mg tablets	56	311	C <i>Trasicor</i>
Oxprenolol 80mg tablets	56	620	C <i>Trasicor</i>
Oxybutynin 2.5mg tablets	56	648	△ M
Oxybutynin 2.5mg/5ml oral solution	150 ml	478	C <i>Ditropan</i>
Oxybutynin 3mg tablets	56	915	C <i>Cystrin</i>
Oxybutynin 5mg tablets	★ 56	898	▽ M
	84	519	△ M
Oxytetracycline 250mg tablets	28	155	△ M
Pantoprazole 20mg gastro-resistant tablets	28	1231	C <i>Protium</i>
Pantoprazole 40mg gastro-resistant tablets	28	2169	C <i>Protium</i>
Paracetamol 120mg suppositories	10	925	A
Paracetamol 120mg/5ml oral solution paediatric	500 ml	231	A
Paracetamol 120mg/5ml oral solution paediatric sugar free	2 litre	596	A
	500 ml	160	C <i>AAH</i>
Paracetamol 120mg/5ml oral suspension paediatric	500 ml	194	C <i>Paldesic</i>
Paracetamol 120mg/5ml oral suspension paediatric sugar free	1 litre	340	C <i>AAH</i>
	150 ml	65	C <i>Medinol</i>
	200 ml	86	C <i>Medinol</i>
Paracetamol 125mg suppositories	10	1150	C <i>Alvedon</i>
Paracetamol 240mg suppositories	10	950	A
Paracetamol 250mg suppositories	10	2300	C <i>Alvedon</i>
Paracetamol 250mg/5ml oral suspension	500 ml	366	A

## BASIC PRICES OF DRUGS

Drug	Quantity	Basic Price	Category
Paracetamol 250mg/5ml oral suspension sugar free	200 ml	113	A
Paracetamol 500mg / Dihydrocodeine 20mg tablets	56	511	C <i>Remedeine</i>
	112	1021	C <i>Remedeine</i>
Paracetamol 500mg / Dihydrocodeine 30mg tablets	56	631	C <i>Remedeine Forte</i>
Paracetamol 500mg / Metoclopramide 5mg tablets	42	669	C <i>Paramax</i>
Paracetamol 500mg capsules	32	233	△ M
Paracetamol 500mg soluble tablets	60	626	△ M
Paracetamol 500mg suppositories	10	990	A
Paracetamol 500mg tablets	16	17	A
	32	143	△ M
	100	182	△ M
Paracetamol 60mg suppositories	10	996	C <i>Alvedon</i>
Paraffin hard MP 43-46°C solid	500 g	275	C <i>Loveridge</i>
Paraffin hard solid	500 g	275	A
Paroxetine 10mg/5ml oral suspension sugar free	150 ml	949	C <i>Seroxat Liquid</i>
Paroxetine 20mg tablets	30	645	△ M
Paroxetine 30mg tablets	30	3553	△ M
Penciclovir 1% cream	■ 2 g	420	C <i>Vectavir Cold Sore Cream</i>
Penicillamine 125mg tablets	56	1161	△ M
Penicillamine 250mg tablets	56	1978	△ M
Pentazocine 25mg tablets	28	198	▽ A
	100	715	A
Pentazocine 30mg/ml injection 1ml ampoules	10	1671	C <i>Winthrop Pharm</i>
Pentazocine 30mg/ml injection 2ml ampoules	10	3214	C <i>Winthrop Pharm</i>
Pentazocine 50mg capsules	28	390	▽ A
Pentoxifylline 400mg modified-release tablets	90	2048	C
Peppermint emulsion concentrated	250 ml	350	C <i>Loveridge</i>
Peppermint oil 0.2ml gastro-resistant capsules	84	704	C <i>Mintec</i>
Peppermint oil 0.2ml gastro-resistant modified-release capsules	20	275	C <i>Colpermin</i>
	100	1205	C <i>Colpermin</i>
Peppermint oil liquid	100 ml	631	A
Peppermint water concentrated	100 ml	425	A
Pergolide 1mg tablets	100	6678	▽ M
Pergolide 250microgram tablets	100	2112	▽ M
Pergolide 50microgram tablets	100	2686	△ M
Perindopril 2mg tablets	30	1095	C <i>Coversyl</i>
Perindopril 4mg tablets	30	1095	C <i>Coversyl</i>
Perindopril 8mg tablets	30	1095	C <i>Coversyl</i>

VIII

## BASIC PRICES OF DRUGS

Drug	Quantity	Basic Price	Category
Permethrin 1% scalp application	■ 59 ml	238	C <i>Lyclear Creme Rinse</i>
	■ 118 ml	432	C <i>Lyclear Creme Rinse</i>
Permethrin 5% cream	■ 30 g	552	A
Pethidine 50mg tablets	50	492	A
Pethidine 50mg/ml injection 1ml ampoules	10	526	A
Pethidine 50mg/ml injection 2ml ampoules	10	556	A
Phenelzine 15mg tablets	100	1995	C <i>Nardil</i>
Phenindione 10mg tablets	100	680	A
Phenindione 25mg tablets	100	950	A
Phenindione 50mg tablets	100	1210	A
Phenobarbital 15mg tablets	28	63	A
Phenobarbital 15mg/5ml elixir	500 ml	386	A
Phenobarbital 30mg tablets	28	63	▽ A
Phenobarbital 60mg tablets	28	71	A
Phenol crystals	25 g	380	C <i>Loveridge</i>
Phenol liquefied	200 ml	2439	E
Phenothrin 0.2% lotion	■ 50 ml	222	C <i>Full Marks</i>
	■ 200 ml	570	C <i>Full Marks</i>
Phenothrin 0.5% liquid	■ 50 ml	222	C <i>Full Marks</i>
	■ 200 ml	570	C <i>Full Marks</i>
Phenoxyethylpenicillin 125mg/5ml oral solution	● 100 ml	162	△ A
Phenoxyethylpenicillin 250mg tablets	28	159	▽ A
Phenoxyethylpenicillin 250mg/5ml oral solution	● 100 ml	224	△ A
Phenylephrine 10% eye drops	■ 10 ml	338	A
Phenytoin 30mg/5ml oral suspension	500 ml	427	C <i>Epanutin</i>
Phenytoin sodium 100mg capsules	84	283	C <i>Epanutin</i>
Phenytoin sodium 100mg tablets	28	982	△ M
Phenytoin sodium 25mg capsules	28	66	C <i>Epanutin</i>
Phenytoin sodium 300mg capsules	28	283	C <i>Epanutin</i>
Phenytoin sodium 50mg capsules	28	67	C <i>Epanutin</i>
Pholcodine 10mg/5ml linctus strong sugar free	2 litre	656	A
Pholcodine 2mg/5ml oral solution sugar free	2 litre	352	C <i>Galenphol Paediatric</i>
	■ 90 ml	111	C <i>Galenphol Paediatric</i>
Pholcodine 5mg/5ml linctus	200 ml	59	C <i>Unichem</i>
Pholcodine 5mg/5ml linctus sugar free	2 litre	485	A
Phosphates enemas (Formula B) 128ml long tube	■ 128 ml	57	C <i>Fletchers</i>
Phosphates enemas (Formula B) 128ml standard tube	■ 128 ml	41	C <i>Fletchers</i>
Phytomenadione 10mg tablets	10	165	C <i>Konakion</i>
Phytomenadione 10mg/ml injection 1ml ampoules	10	401	C <i>Konakion MM</i>

## BASIC PRICES OF DRUGS

Drug	Quantity	Basic Price	Category	
Phytomenadione 2mg/ml injection 0.5ml ampoules	10	214	C	<i>Konakion</i>
Pilocarpine hydrochloride 0.5% eye drops	■ 10 ml	139	A	
Pilocarpine hydrochloride 1% eye drops	■ 10 ml	290	△ M	
Pilocarpine hydrochloride 2% eye drops	■ 10 ml	265	△ M	
Pilocarpine hydrochloride 3% eye drops	■ 10 ml	144	A	
Pilocarpine hydrochloride 4% eye drops	■ 10 ml	377	△ M	
Pimozide 4mg tablets	100	2914	C	<i>Orap</i>
Pioglitazone 15mg tablets	◆ 28	2414	C	<i>Actos</i>
Pioglitazone 30mg tablets	◆ 28	3354	C	<i>Actos</i>
Pioglitazone 45mg tablets	◆ 28	3696	C	<i>Actos</i>
Piperazine 4g / Senna 15.3mg oral powder sachets	■ 2	136	C	<i>Pripsen</i>
Piroxicam 0.5% gel	■ 60 g	376	△ M	
	■ 112 g	708	▽ M	
Piroxicam 10mg capsules	56	549	▽ M	
Piroxicam 20mg capsules	28	632	▽ M	
Piroxicam 20mg dispersible tablets	28	1927	△ M	
Pizotifen 1.5mg tablets	◆ 28	534	△ M	
Pizotifen 250micrograms/5ml elixir sugar free	300 ml	451	C	<i>Sanomigran</i>
Pizotifen 500microgram tablets	28	241	△ M	
	60	257	C	<i>Sanomigran</i>
Podophyllin paint	10 ml	77	E	
Podophyllum resin powder	25 g	750	C	<i>Loveridge</i>
Potassium (potassium 6.5mmol) effervescent tablets BPC 1968	■ 56	1134	△ M	
Potassium bromide mixture	200 ml	45	E	
Potassium bromide powder	500 g	555	C	<i>Loveridge</i>
Potassium chlorate powder	500 g	925	C	<i>Loveridge</i>
Potassium chloride 600mg (potassium 8mmol) modified- release tablets	100	268	C	<i>Slow K</i>
Potassium chloride 600mg / Potassium bicarbonate 400mg effervescent tablets	100 (5x■20)	765	C	<i>Sando-K</i>
Potassium chloride powder	500 g	320	C	<i>Loveridge</i>
Potassium citrate mixture	200 ml	81	A	
Potassium citrate powder	500 g	375	C	<i>Loveridge</i>
Potassium iodide ammoniated mixture	200 ml	39	E	
Potassium iodide powder	250 g	1075	C	<i>Loveridge</i>
Potassium nitrate powder	500 g	750	C	<i>Loveridge</i>
Potassium permanganate 0.1% solution	100 ml	1	E	
Potassium permanganate powder	500 g	385	A	

VIII

## BASIC PRICES OF DRUGS

Drug	Quantity	Basic Price	Category
Povidone-Iodine 1% mouthwash	250 ml	112	C <i>Betadine Gargle &amp; Mouthwash</i>
Povidone-Iodine 1.14% dry powder spray	■ 50 ml	239	C <i>Savlon Dry</i>
Pravastatin 10mg tablets	◆ 28	202	▽ M
Pravastatin 20mg tablets	◆ 28	216	▽ M
Pravastatin 40mg tablets	◆ 28	310	▽ M
Prazosin 1mg tablets	56	323	C <i>Hypovase</i>
Prazosin 2mg tablets	56	439	C <i>Hypovase</i>
Prazosin 500microgram tablets	56	251	C <i>Hypovase</i>
Prednisolone 1mg tablets	28	157	△ M
Prednisolone 2.5mg gastro-resistant tablets	30	31	C <i>Deltacortril</i>
	★ 100	68	C <i>Deltacortril</i>
Prednisolone 25mg tablets	56	967	A
Prednisolone 5mg gastro-resistant tablets	30	51	C <i>Deltacortril</i>
	★ 100	122	C <i>Deltacortril</i>
Prednisolone 5mg soluble tablets	30	220	A
Prednisolone 5mg tablets	28	174	△ M
Prednisolone acetate 1% eye drops	■ 5 ml	152	C <i>Pred Forte</i>
	■ 10 ml	305	C <i>Pred Forte</i>
Prednisolone sodium phosphate 0.5% ear/eye drops	■ 10 ml	200	C <i>Predsol Ear / Eye Drops</i>
Pregabalin 100mg capsules	84	9660	C <i>Lyrica</i>
Pregabalin 150mg capsules	56	6440	C <i>Lyrica</i>
Pregabalin 200mg capsules	84	9660	C <i>Lyrica</i>
Pregabalin 25mg capsules	56	6440	C <i>Lyrica</i>
Pregabalin 300mg capsules	56	6440	C <i>Lyrica</i>
Pregabalin 50mg capsules	84	9660	C <i>Lyrica</i>
Pregabalin 75mg capsules	56	6440	C <i>Lyrica</i>
Primidone 250mg tablets	100	1260	C <i>Mysoline</i>
Prochlorperazine 25mg suppositories	10	1146	C <i>Stemetil</i>
Prochlorperazine 3mg buccal tablets	50	575	C <i>Buccastem</i>
Prochlorperazine 5mg effervescent granule sachets sugar free	21	646	C <i>Stemetil Eff</i>
Prochlorperazine 5mg suppositories	10	874	C <i>Stemetil</i>
Prochlorperazine 5mg tablets	28	180	△ M
	84	343	△ M
Prochlorperazine 5mg/5ml oral solution	100 ml	348	C <i>Stemetil Syrup</i>
Procyclidine 2.5mg/5ml oral solution sugar free	150 ml	422	C <i>Arpicolin Syrup</i>
Procyclidine 5mg tablets	28	228	△ M
Procyclidine 5mg/5ml oral solution sugar free	150 ml	754	C <i>Arpicolin Syrup</i>
Proflavine 0.1% cream	100 ml	85	C <i>Loveridge</i>
	★ 500 ml	284	A
Proflavine 0.1% solution	100 ml	11	E



## BASIC PRICES OF DRUGS

Drug	Quantity	Basic Price	Category	
Proflavine hemisulphate powder	25 g	1780	C	<i>Loveridge</i>
Proguanil 100mg tablets	◆ 98	743	C	<i>Paludrine</i>
Promazine 25mg tablets	250	1361	△ M	
Promazine 25mg/5ml oral solution	150 ml	351	A	
Promazine 50mg tablets	250	2356	△ M	
Promazine 50mg/5ml oral solution	150 ml	351	A	
Promethazine 5mg/5ml oral solution	100 ml	161	C	<i>Phenergan Elixir</i>
Promethazine hydrochloride 10mg tablets	56	171	C	<i>Phenergan</i>
Promethazine hydrochloride 25mg tablets	56	255	C	<i>Phenergan</i>
Propafenone 150mg tablets	90	857	C	<i>Arythmol</i>
Propafenone 300mg tablets	60	1086	C	<i>Arythmol</i>
Propiverine 15mg tablets	56	2445	C	<i>Detrunorm</i>
Propranolol 10mg tablets	28	142	△ M	
Propranolol 160mg tablets	56	361	△ M	
Propranolol 40mg tablets	28	136	△ M	
Propranolol 80mg tablets	56	218	△ M	
Propylene glycol liquid	500 ml	315	C	<i>Loveridge</i>
Propylthiouracil 50mg tablets	56	2490	A	
	100	4451	A	
Pseudoephedrine 30mg/5ml linctus sugar free	2 litre	1375	C	<i>Galpseud</i>
Pseudoephedrine 60mg tablets	100	528	C	<i>Sudafed</i>
Purified talc powder	500 g	345	C	<i>Loveridge</i>
Purified water	5 litre	171	A	
Pyridostigmine bromide 60mg tablets	■ 200	4812	C	<i>Mestinon</i>
Pyridoxine 50mg tablets	28	53	A	
Quetiapine 100mg tablets	60	11310	C	<i>Seroquel</i>
Quetiapine 150mg tablets	60	11310	C	<i>Seroquel</i>
Quetiapine 200mg tablets	60	11310	C	<i>Seroquel</i>
Quetiapine 25mg tablets	60	2820	C	<i>Seroquel</i>
Quetiapine 300mg tablets	60	17000	C	<i>Seroquel</i>
Quinapril 10mg tablets	◆ 28	454	▽ M	
Quinapril 20mg tablets	◆ 28	577	▽ M	
Quinapril 40mg tablets	◆ 28	555	▽ M	
Quinapril 5mg tablets	◆ 28	388	▽ M	
Quinine bisulphate 300mg tablets	28	290	△ M	
	500	3517	△ M	
Quinine sulphate 200mg tablets	28	284	△ M	
Quinine sulphate 300mg tablets	◆ 28	291	△ M	
	500	1941	A	

VIII

## BASIC PRICES OF DRUGS

Drug	Quantity	Basic Price	Category
Rabeprazole 10mg gastro-resistant tablets	◆ 28	1156	C <i>Pariet</i>
Rabeprazole 20mg gastro-resistant tablets	◆ 28	2116	C <i>Pariet</i>
Raloxifene 60mg tablets	◆ 28	1986	C <i>Evista</i>
	◆ 84	5959	C <i>Evista</i>
Ramipril 1.25mg capsules	28	180	▽ M
Ramipril 1.25mg tablets	◆ 28	284	▽ M
Ramipril 10mg capsules	28	269	▽ M
Ramipril 10mg tablets	◆ 28	670	△ M
Ramipril 2.5mg capsules	28	166	▽ M
Ramipril 2.5mg tablets	◆ 28	366	▽ M
Ramipril 5mg capsules	28	247	▽ M
Ramipril 5mg tablets	◆ 28	523	▽ M
Ranitidine 150mg effervescent tablets	60 (4x■15)	1847	▽ M
Ranitidine 150mg tablets	◆ 60	232	▽ M
Ranitidine 300mg effervescent tablets	30 (2x■15)	2465	△ M
Ranitidine 300mg tablets	◆ 30	234	▽ M
Ranitidine 75mg/5ml oral solution sugar free	300 ml	2232	A
Ranitidine bismuth citrate 400mg tablets	◆ 14	1209	C <i>Pylorid</i>
Raspberry syrup	500 ml	490	C <i>Loveridge</i>
Reboxetine 4mg tablets	60	1891	C <i>Edronax</i>
Repaglinide 1mg tablets	30	392	C <i>NovoNorm</i>
	90	1176	C <i>NovoNorm</i>
Repaglinide 2mg tablets	90	1176	C <i>NovoNorm</i>
Repaglinide 500microgram tablets	30	392	C <i>NovoNorm</i>
	90	1176	C <i>NovoNorm</i>
Rifampicin 150mg capsules	100	3805	△ M
Rifampicin 300mg capsules	100	7366	△ M
Risedronate sodium 30mg tablets	◆ 28	15281	C <i>Actonel</i>
Risedronate sodium 35mg tablets	■ 4	2030	C <i>Actonel Once Weekly</i>
Risedronate sodium 5mg tablets	◆ 28	1910	C <i>Actonel</i>
Risperidone 0.5mg orodispersible tablets sugar free	28	1143	C <i>Risperdal Quicklet</i>
Risperidone 1mg orodispersible tablets sugar free	28	1839	C <i>Risperdal Quicklet</i>
Risperidone 1mg tablets	20	1161	C <i>Risperdal</i>
Risperidone 1mg/ml oral liquid	■ 100 ml	5612	C <i>Risperdal</i>
Risperidone 2mg orodispersible tablets sugar free	28	3466	C <i>Risperdal Quicklet</i>
Risperidone 2mg tablets	60	6869	C <i>Risperdal</i>
Risperidone 3mg tablets	60	10101	C <i>Risperdal</i>
Risperidone 4mg tablets	60	13334	C <i>Risperdal</i>
Risperidone 500microgram tablets	20	706	C <i>Risperdal</i>
Risperidone 6mg tablets	28	9428	C <i>Risperdal</i>

## BASIC PRICES OF DRUGS

Drug	Quantity	Basic Price	Category
Rizatriptan 10mg oral lyophilisates sugar free	■ 3	1337	C <i>Maxalt Melt</i>
	■ 6	2674	C <i>Maxalt Melt</i>
Ropinirole 1mg tablets	84	4726	C <i>Requip</i>
Ropinirole 2mg tablets	84	9453	C <i>Requip</i>
Ropinirole 5mg tablets	84	16327	C <i>Requip</i>
Rosiglitazone 4mg tablets	28	2474	C <i>Avandia</i>
	56	4948	C <i>Avandia</i>
Rosiglitazone 8mg tablets	28	5078	C <i>Avandia</i>
Rosuvastatin 10mg tablets	◆ 28	1803	C <i>Crestor</i>
Rosuvastatin 20mg tablets	◆ 28	2969	C <i>Crestor</i>
Rosuvastatin 40mg tablets	◆ 28	2969	C <i>Crestor</i>
Saccharin sodium powder	25 g	375	C <i>Loveridge</i>
Salbutamol 100micrograms/actuation / Ipratropium 20micrograms/actuation inhaler	■ 200 dose	645	C <i>Combivent</i>
Salbutamol 100micrograms/actuation inhaler CFC free	■ 200 dose	288	▽ A
Salbutamol 1mg/ml nebuliser liquid 2.5ml unit dose vials	20	199	C <i>Salamol</i>
Salbutamol 200microgram inhalation powder capsules	120	478	C <i>Salbutamol 200 Cyclocaps</i>
Salbutamol 200micrograms/actuation dry powder inhaler	■ 60 dose	512	C <i>Ventolin Accuhaler</i>
	■ 100 dose	505	C <i>Pulvinal Salbutamol</i>
Salbutamol 2mg tablets	28	254	△ M
Salbutamol 2mg/5ml oral solution sugar free	150 ml	166	△ M
Salbutamol 2mg/ml nebuliser liquid 2.5ml unit dose vials	20	398	C <i>Salamol</i>
Salbutamol 400microgram inhalation powder capsules	120	808	C <i>Salbutamol 400 Cyclocaps</i>
Salbutamol 4mg modified-release tablets	◆ 56	981	C <i>Volmax</i>
Salbutamol 4mg tablets	28	338	△ M
Salbutamol 8mg modified-release tablets	◆ 56	1177	C <i>Volmax</i>
Salbutamol 95micrograms/actuation dry powder inhaler	■ 200 dose	588	C <i>Asmasal Clickhaler</i>
Salicylic acid 2% / Betamethasone dipropionate 0.05% scalp application	■ 100 ml	1050	C <i>Diprosalic</i>
Salicylic acid 2% lotion	500 ml	189	E
Salicylic acid 2% ointment	450 g	345	A
Salicylic acid 26% solution	■ 10 ml	339	C <i>Occlusal</i>
Salicylic acid 3% / Betamethasone dipropionate 0.05% ointment	■ 30 g	330	C <i>Diprosalic</i>
	■ 100 g	950	C <i>Diprosalic</i>

VIII

## BASIC PRICES OF DRUGS

Drug	Quantity	Basic Price	Category
Salicylic acid 3% / Sulphur 3% ointment	500 g	211	E
Salicylic acid powder	500 g	567	A
Salmeterol 25micrograms/actuation inhaler	■ 120 dose	2926	C <i>Serevent</i>
Salmeterol 50micrograms/actuation dry powder inhaler	■ 60 dose	2926	C <i>Serevent Accuhaler</i>
Selegiline 10mg tablets	◆ 28	593	△ M
	30	563	△ M
Selegiline 5mg tablets	◆ 56	600	△ M
	60	699	△ M
Senna 15mg/5ml granules	100 g	310	C <i>Senokot</i>
Senna 7.5mg tablets	60	260	△ M
	500	738	C <i>Senokot</i>
Senna 7.5mg/5ml oral solution sugar free	500 ml	269	C <i>Senokot Pharmacy</i>
Senna fruit 12.4% / Ispaghula 54.2% granules	■ 400 g	745	C <i>Manevac</i>
Sertraline 100mg tablets	◆ 28	2916	C
Sertraline 50mg tablets	◆ 28	1782	C
Sevelamer 800mg tablets	■ 180	12276	C <i>Renagel</i>
Sibutramine 10mg capsules	◆ 28	4542	C <i>Reductil</i>
Sibutramine 15mg capsules	◆ 28	4965	C <i>Reductil</i>
§ Sildenafil 100mg tablets	4	2350	C <i>Viagra</i>
§	8	4699	C <i>Viagra</i>
§ Sildenafil 25mg tablets	4	1659	C <i>Viagra</i>
§	8	3319	C <i>Viagra</i>
§ Sildenafil 50mg tablets	4	2127	C <i>Viagra</i>
§	8	4254	C <i>Viagra</i>
Silver nitrate 95% caustic pencil	■ 1	189	C <i>Avoca Wart Treatment Set</i>
Silver sulfadiazine 1% cream	■ 50 g	385	C <i>Flamazine</i>
Simple eye ointment	■ 4 g	268	A
Simple linctus	2 litre	361	A
Simple linctus paediatric	2 litre	335	A
Simple linctus sugar free	2 litre	330	C <i>Unichem</i>
	200 ml	64	A
Simvastatin 10mg tablets	◆ 28	175	M
Simvastatin 20mg tablets	◆ 28	171	▽ M
Simvastatin 40mg tablets	◆ 28	389	▽ M
Simvastatin 80mg tablets	◆ 28	2529	▽ M
Soap liniment methylated	500 ml	241	A
Soap spirit methylated	500 ml	205	A
Sodium bicarbonate 500mg capsules	56	2330	△ M
Sodium bicarbonate 600mg tablets	100	248	A
Sodium bicarbonate powder	2 kg	260	C <i>Unichem</i>
Sodium chloride 0.9% eye drops	■ 10 ml	237	A
Sodium chloride 0.9% intravenous infusion 100ml vials	■ 1	201	A

## BASIC PRICES OF DRUGS

Drug	Quantity	Basic Price	Category
Sodium chloride 0.9% intravenous infusion 10ml ampoules	10	360	A
Sodium chloride 0.9% intravenous infusion 20ml ampoules	10	1036	A
Sodium chloride 0.9% intravenous infusion 2ml ampoules	10	244	A
Sodium chloride 0.9% intravenous infusion 50ml ampoules	10	2009	C <i>Martindale</i>
Sodium chloride 0.9% intravenous infusion 50ml vials	■ 1	208	A
Sodium chloride 0.9% intravenous infusion 5ml ampoules	10	326	A
Sodium chloride 0.9% solution	100 ml	4	E
Sodium chloride compound mixture	200 ml	9	E
Sodium chloride compound mouthwash	200 ml	7	E
Sodium chloride powder	500 g	220	C <i>Loveridge</i>
Sodium citrate powder	500 g	380	C <i>Loveridge</i>
Sodium cromoglicate 2% eye drops	■ 13.5 ml	300	△ M
Sodium cromoglicate 4% nasal spray	■ 22 ml	1776	C <i>Rynacrom</i>
Sodium cromoglicate 5mg/actuation inhaler	■ 112 dose	1530	C <i>Cromogen</i>
Sodium dihydrogen phosphate dihydrate powder	500 g	570	C <i>Loveridge</i>
Sodium feredetate 190mg/5ml oral solution sugar free	500 ml	446	C <i>Sytron Elixir</i>
Sodium fluoride 0.37% oral drops sugar free	■ 60 ml	182	C <i>En-De-Kay Fluodrops</i>
Sodium fluoride 1.1mg chewable tablets	200	191	C <i>Fluor-A-Day</i>
Sodium fluoride 1.1mg tablets	200	180	C <i>En-De-Kay Fluotabs 3-6 years</i>
Sodium fluoride 2.2mg chewable tablets	200	191	C <i>Fluor-A-Day</i>
Sodium fluoride 2.2mg tablets	200	180	C <i>En-De-Kay Fluotabs 6+ years</i>
Sodium fusidate 2% ointment	■ 15 g	223	C <i>Fucidin</i>
	■ 30 g	379	C <i>Fucidin</i>
Sodium metabisulphite powder	500 g	350	C <i>Loveridge</i>
Sodium picosulfate 5mg/5ml oral solution sugar free	100 ml	185	C <i>Laxoberal Liquid</i>
	300 ml	440	C <i>Laxoberal Liquid</i>
Sodium salicylate powder	250 g	400	C <i>Loveridge</i>
Sodium valproate 100mg tablets	100	389	C <i>Epilim</i>
Sodium valproate 200mg gastro-resistant tablets	100	816	△ M
Sodium valproate 200mg/5ml oral solution	300 ml	648	C <i>Epilim Syrup</i>
Sodium valproate 200mg/5ml oral solution sugar free	300 ml	823	△ M
Sodium valproate 500mg gastro-resistant tablets	100	1892	△ M

VIII

## BASIC PRICES OF DRUGS

Drug	Quantity	Basic Price	Category
Solifenacin 10mg tablets	30	3591	C Vesicare
Solifenacin 5mg tablets	30	2762	C Vesicare
Sotalol 160mg tablets	◆ 28	565	▽ M
Sotalol 200mg tablets	28	250	C Beta-Cardone
Sotalol 40mg tablets	56	134	C Beta-Cardone
	100	239	C Beta-Cardone
Sotalol 80mg tablets	56	199	C Beta-Cardone
	100	354	C Beta-Cardone
Spirolactone 100mg tablets	28	668	△ M
Spirolactone 25mg tablets	28	390	△ M
Spirolactone 50mg tablets	28	576	△ M
	30	478	△ A
Squill oxymel	2 litre	1224	A
Stearic acid crystals	500 g	650	C Loveridge
Strontium ranelate 2g granules sachets sugar free	28	2560	C Protelos
Sucralfate 1g tablets	100	875	C Antepsin
Sucrose	1 kg	66	C
Sulfasalazine 500mg gastro-resistant tablets	100	2005	△ M
	112	843	C
Sulfasalazine 500mg tablets	112	1229	△ M
Sulindac 100mg tablets	56	1360	△ M
Sulindac 200mg tablets	56	2551	△ M
Sulphur precipitated powder	500 g	245	C Unichem
Sulphur sublimed powder	500 g	230	A
Sulphuric acid dilute liquid	500 ml	565	C Loveridge
Sulpiride 200mg tablets	30	471	△ M
	56	737	△ M
Sulpiride 400mg tablets	30	1081	A
	100	3629	C Dolmatil
Sumatriptan 100mg tablets	6	4464	C Imigran
Sumatriptan 10mg unit dose nasal spray	2 (2x■1)	1228	C Imigran
Sumatriptan 12mg/ml injection 0.5ml pre-filled syringes	■ 2	4419	C Imigran Subject
Sumatriptan 12mg/ml injection 0.5ml syringe refill	■ 2	4205	C Imigran Subject
	6 (3x■2)	12613	C Imigran Subject
Sumatriptan 20mg unit dose nasal spray	2 (2x■1)	1228	C Imigran
	6 (6x■1)	3683	C Imigran
Sumatriptan 50mg tablets	6	2762	C Imigran 50
	12	5248	C Imigran 50
Surgical spirit	2 litre	396	A
Syrup	2 litre	322	A

## BASIC PRICES OF DRUGS

Drug	Quantity	Basic Price	Category
Tacrolimus 0.03% ointment	■ 30 g	1944	C <i>Protopic</i>
	■ 60 g	3694	C <i>Protopic</i>
Tacrolimus 0.1% ointment	■ 30 g	2160	C <i>Protopic</i>
	■ 60 g	4104	C <i>Protopic</i>
Tacrolimus 1mg capsules	50	8522	C <i>Prograf</i>
	(5x■10)		
Tacrolimus 500microgram capsules	50	6569	C <i>Prograf</i>
	(5x■10)		
Tacrolimus 5mg capsules	50	31484	C <i>Prograf</i>
	(5x■10)		
§ Tadalafil 10mg tablets	4	2340	C <i>Cialis</i>
§ Tadalafil 20mg tablets	4	2340	C <i>Cialis</i>
§	8	4679	C <i>Cialis</i>
Tamoxifen 10mg tablets	30	221	△ M
Tamoxifen 20mg tablets	30	271	△ M
Tamoxifen 40mg tablets	30	499	△ M
Tamsulosin 400microgram modified-release capsules	30	2065	C <i>Flomax MR</i>
Tamsulosin 400microgram modified-release tablets	30	1755	C <i>Flomaxtra XL</i>
Tartaric acid powder	500 g	765	C <i>Loveridge</i>
Telmisartan 20mg tablets	◆ 28	1134	C <i>Micardis</i>
Telmisartan 40mg tablets	◆ 28	1134	C <i>Micardis</i>
Telmisartan 80mg tablets	◆ 28	1418	C <i>Micardis</i>
Temazepam 10mg tablets	28	90	A
	500	1121	▽ A
Temazepam 10mg/5ml oral solution sugar free	300 ml	995	A
Temazepam 20mg tablets	28	147	▽ A
	250	997	▽ A
Tenoxicam 20mg tablets	28	1345	▽ A
Terazosin 10mg tablets	28	2740	△ M
Terazosin 2mg tablets	28	721	△ M
Terazosin 5mg tablets	28	1177	▽ M
Terbinafine 1% cream	■ 15 g	486	C <i>Lamisil</i>
	■ 30 g	876	C <i>Lamisil</i>
Terbinafine 1% spray	■ 15 ml	313	C <i>Lamisil AT</i>
Terbinafine 250mg tablets	14	2007	A
	◆ 28	3839	▽ A
Terbutaline 1.5mg/5ml oral solution sugar free	300 ml	238	▽ A
Terbutaline 500micrograms/ actuation dry powder inhaler	■ 100 dose	692	C <i>Bricanyl Turbohaler</i>
Terbutaline 5mg tablets	100	409	C <i>Bricanyl</i>
Testosterone 40mg capsules	28	830	C <i>Restandol</i>
	56	1660	C <i>Restandol</i>
Testosterone 50mg gel sachets	30	3300	C <i>Testogel</i>
Tetrabenazine 25mg tablets	112	10000	C <i>Xenazine</i>
Tetracycline 250mg tablets	28	261	△ M

VIII

## BASIC PRICES OF DRUGS

Drug	Quantity	Basic Price	Category	
Theophylline 125mg modified-release capsules	56	290	C	<i>Slo-Phyllin</i>
Theophylline 175mg modified-release tablets	60	319	C	<i>Nuelin SA</i>
Theophylline 250mg modified-release capsules	56	362	C	<i>Slo-Phyllin</i>
Theophylline 250mg modified-release tablets	60	446	C	<i>Nuelin SA-250</i>
Theophylline 400mg modified-release tablets	56	565	C	<i>Uniphyllin Continus</i>
Theophylline 60mg modified-release capsules	56	230	C	<i>Slo-Phyllin</i>
Thiamine 100mg tablets	100	616	C	<i>Benerva</i>
Thiamine 50mg tablets	100	398	C	<i>Benerva</i>
Thioridazine 25mg/5ml oral solution	150 ml	90	A	
Thymol glycerin compound mouthwash	200 ml	55	C	<i>Thornton &amp; Ross</i>
Tiaprofenic acid 300mg modified-release capsules	◆ 56	1556	C	<i>Surgam SA</i>
Tibolone 2.5mg tablets	◆ 28	1077	C	<i>Livial</i>
Timolol 0.1% gel eye drops	■ 5 ml	285	C	<i>Nyogel</i>
Timolol 0.25% eye drops	■ 5 ml	231	△ M	
Timolol 0.25% eye gel	■ 2.5 ml	312	C	<i>Timoptol-LA</i>
Timolol 0.5% eye drops	■ 5 ml	228	△ M	
Timolol 0.5% eye gel	■ 2.5 ml	312	C	<i>Timoptol-LA</i>
Timolol 10mg tablets	30	208	C	<i>Betim</i>
Tinidazole 500mg tablets	20	1380	C	<i>Fasigyn</i>
Tioconazole 28.3% nail solution	■ 12 ml	2738	C	<i>Trosyl</i>
Tiotropium bromide 18microgram inhalation powder capsules	30 (6x■5)	3660	C	<i>Spiriva</i>
Tiotropium bromide 18microgram inhalation powder capsules with device	■ 30	3762	C	<i>Spiriva</i>
Tizanidine 2mg tablets	120	4068	△ M	
Tizanidine 4mg tablets	120	4650	△ M	
Tolbutamide 500mg tablets	28	209	△ M	
Tolterodine 1mg tablets	56	2903	C	<i>Detrusitol</i>
Tolterodine 2mg tablets	56	3056	C	<i>Detrusitol</i>
Tolterodine 4mg modified-release capsules	28	2903	C	<i>Detrusitol XL</i>
Topiramate 100mg tablets	60	6156	C	<i>Topamax</i>
Topiramate 200mg tablets	60	11954	C	<i>Topamax</i>
Topiramate 25mg tablets	60	2092	C	<i>Topamax</i>
Topiramate 50mg tablets	60	3436	C	<i>Topamax</i>
Torasemide 10mg tablets	◆ 28	814	C	<i>Torem 10</i>
Torasemide 2.5mg tablets	◆ 28	378	C	<i>Torem 2.5</i>
Torasemide 5mg tablets	◆ 28	553	C	<i>Torem 5</i>
Tragacanth powder	500 g	4975	C	<i>Loveridge</i>
Tramadol 100mg modified-release tablets	60	1826	C	<i>Zydol SR 100</i>



## BASIC PRICES OF DRUGS

Drug	Quantity	Basic Price	Category	
Tramadol 150mg modified-release tablets	60	2739	C	<i>Zydol SR 150</i>
Tramadol 200mg modified-release tablets	60	3652	C	<i>Zydol SR 200</i>
Tramadol 50mg capsules	30	288	△ M	
	100	530	△ M	
Trandolapril 2mg capsules	◆	28	686	C <i>Gopten</i>
Trandolapril 4mg capsules	◆	28	1164	C <i>Gopten</i>
Trandolapril 500microgram capsules	◆	14	140	C <i>Gopten</i>
Tranexamic acid 500mg tablets	60	1511	▽ M	
Tranlycypromine 10mg tablets	28	508	A	
Travoprost 40micrograms/ml eye drops	■	2.5 ml	1106	C <i>Travatan</i>
Trazodone 100mg capsules	56	3720	△ M	
Trazodone 150mg tablets	◆	28	2217	△ M
Trazodone 50mg capsules	84	3207	△ M	
Triamcinolone 0.1% oromucosal paste	■	10 g	118	C <i>Adcortyl in Orabase</i>
Triamcinolone 55micrograms/ actuation nasal spray	■	120 dose	739	C <i>Nasacort</i>
Triamterene 50mg / Furosemide 40mg tablets	◆	56	454	C <i>Frusene</i>
	100	810	C	<i>Frusene</i>
Triamterene 50mg capsules	30	1735	C	<i>Dytac</i>
Triclofos 500mg/5ml oral solution	300 ml	2783	A	
Trifluoperazine 10mg modified-release capsules	30	283	C	<i>Stelazine</i>
Trifluoperazine 15mg modified-release capsules	30	427	C	<i>Stelazine</i>
Trifluoperazine 1mg tablets	100	284	△ M	
Trifluoperazine 5mg tablets	100	315	△ M	
	112	489	C	<i>Stelazine</i>
Trifluoperazine 5mg/5ml oral solution sugar free	150 ml	830	A	
Trihexyphenidyl 2mg tablets	84	411	△ M	
	100	715	△ M	
Trihexyphenidyl 5mg tablets	100	485	△ M	
Trimethoprim 100mg tablets	28	123	△ M	
Trimethoprim 200mg tablets	14	118	△ M	
Trimethoprim 50mg/5ml oral suspension sugar free	100 ml	177	C	
Trimipramine 10mg tablets	84	1069	C	<i>Surmontil</i>
Trimipramine 25mg tablets	84	1410	C	<i>Surmontil</i>
Trimipramine 50mg capsules	28	791	C	<i>Surmontil</i>
Trospium chloride 20mg tablets	60	2600	C	<i>Regurin</i>
Turpentine oil liquid	500 ml	410	C	<i>Loveridge</i>

VIII

## BASIC PRICES OF DRUGS

Drug	Quantity	Basic Price	Category
Ursodeoxycholic acid 150mg tablets	60	1851	A
Ursodeoxycholic acid 250mg capsules	60	3511	A
Valaciclovir 500mg tablets	10	2186	C <i>Valtrex</i>
	42	9161	C <i>Valtrex</i>
Valproic acid 250mg gastro-resistant tablets	90	1217	C <i>Depakote</i>
Valproic acid 500mg gastro-resistant tablets	90	2429	C <i>Depakote</i>
Valsartan 160mg capsules	◆ 28	2166	C <i>Diovan</i>
Valsartan 40mg capsules	◆ 7	369	C <i>Diovan</i>
Valsartan 80mg capsules	◆ 28	1644	C <i>Diovan</i>
§ Vardenafil 10mg tablets	4	1934	C <i>Levitra</i>
§	8	3867	C <i>Levitra</i>
§ Vardenafil 20mg tablets	4	2350	C <i>Levitra</i>
§	8	4699	C <i>Levitra</i>
§ Vardenafil 5mg tablets	4	1659	C <i>Levitra</i>
§	8	3319	C <i>Levitra</i>
Venlafaxine 150mg modified-release capsules	◆ 28	3903	C <i>Efexor XL</i>
Venlafaxine 37.5mg tablets	◆ 56	2341	C <i>Efexor</i>
Venlafaxine 75mg modified-release capsules	◆ 28	2341	C <i>Efexor XL</i>
Venlafaxine 75mg tablets	◆ 56	3903	C <i>Efexor</i>
Verapamil 120mg modified-release capsules	◆ 28	751	C <i>Univer</i>
Verapamil 120mg modified-release tablets	◆ 28	818	C <i>Half - Securon SR</i>
Verapamil 120mg tablets	28	205	△ M
Verapamil 160mg tablets	56	600	△ M
Verapamil 180mg modified-release capsules	◆ 56	1815	C <i>Univer</i>
Verapamil 240mg modified-release capsules	◆ 28	1224	C <i>Univer</i>
Verapamil 240mg modified-release tablets	◆ 28	589	C
Verapamil 40mg tablets	84	256	△ M
Verapamil 80mg tablets	84	304	△ M
Vigabatrin 500mg oral powder sachets sugar free	50	1708	C <i>Sabril</i>
Vigabatrin 500mg tablets	100	3084	C <i>Sabril</i>
Vitamin B compound strong tablets	28	137	△ M
Vitamins A and D capsules	84	270	A
Vitamins B and C high potency intramuscular injection 5ml + 2ml ampoules	10	1959	C <i>Pabrinex</i>
Vitamins B and C high potency intravenous injection 5ml + 5ml ampoules	10	1959	C <i>Pabrinex</i>

## BASIC PRICES OF DRUGS

Drug	Quantity	Basic Price	Category	
Vitamins capsules	1000	1130	A	
Warfarin 1mg tablets	28	106	△ M	
Warfarin 3mg tablets	28	165	△ M	
Warfarin 500microgram tablets	28	100	A	
Warfarin 5mg tablets	28	182	△ M	
Water for injection 100ml vials	■ 1	226	A	
Water for injection 10ml ampoules	10	311	A	
Water for injection 1ml ampoules	10	177	A	
Water for injection 20ml ampoules	10	545	C	<i>Martindale</i>
Water for injection 2ml ampoules	10	173	A	
Water for injection 5ml ampoules	10	282	A	
White liniment	2 litre	556	A	
White soft paraffin solid	500 ml	230	C	<i>Loveridge</i>
Wild cherry syrup	500 g	359	△ M	
Wool alcohols ointment	2 litre	1453	C	<i>AAH</i>
Wool fat solid	450 g	395	C	<i>Thornton &amp; Ross</i>
	500 g	790	C	<i>Loveridge</i>
Xipamide 20mg tablets	◆ 140	1946	C	<i>Diurexan</i>
Xylometazoline 0.05% nasal drops	■ 10 ml	159	C	<i>Otrivine</i>
Xylometazoline 0.1% nasal drops	■ 10 ml	191	C	<i>Otrivine</i>
Xylometazoline 0.1% nasal spray	■ 10 ml	191	C	<i>Otrivine</i>
Yellow soft paraffin solid	500 g	165	A	
Zafirlukast 20mg tablets	◆ 56	2826	C	<i>Accolate</i>
Zaleplon 10mg capsules	14	376	C	<i>Sonata</i>
Zaleplon 5mg capsules	14	312	C	<i>Sonata</i>
Zinc and Castor oil ointment	500 g	286	A	
Zinc and Salicylic acid paste	500 g	340	A	
Zinc compound paste	500 g	307	A	
Zinc ointment	500 g	325	C	<i>Loveridge</i>
Zinc oxide 12.5% / Dimeticone 1.04% spray	■ 115 g	354	C	<i>Sprilon</i>
Zinc oxide powder	500 g	280	C	<i>Loveridge</i>
Zinc sulphate 0.25% eye drops	■ 10 ml	315	A	
Zinc sulphate 1% lotion	200 ml	3	E	
Zinc sulphate powder	500 g	320	C	<i>Loveridge</i>
Zolmitriptan 2.5mg orodispersible tablets sugar free	6	2400	C	<i>Zomig Rapimelt</i>

VIII

## BASIC PRICES OF DRUGS

Drug	Quantity	Basic Price	Category
Zolmitriptan 2.5mg tablets	6	2400	C <i>Zomig</i>
	12	4800	C <i>Zomig</i>
Zolmitriptan 50mg/ml nasal spray 0.1ml unit dose	6 (6x■1)	4050	C <i>Zomig</i>
Zolmitriptan 5mg orodispersible tablets sugar free	6	2616	C <i>Zomig Rapimelt</i>
Zolpidem 10mg tablets	28	373	△ M
Zolpidem 5mg tablets	28	330	△ M
Zopiclone 3.75mg tablets	28	332	△ M
Zopiclone 7.5mg tablets	28	317	▽ M
Zuclopendixol 10mg tablets	100	806	C <i>Clopixol</i>
Zuclopendixol 25mg tablets	100	1612	C <i>Clopixol</i>
Zuclopendixol 2mg tablets	■ 100	299	C <i>Clopixol</i>
Zuclopendixol acetate 50mg/ml injection 1ml ampoules	5	2420	C <i>Clopixol Acuphase</i>
Zuclopendixol acetate 50mg/ml injection 2ml ampoules	5	4663	C <i>Clopixol Acuphase</i>
Zuclopendixol decanoate 200mg/ ml injection 1ml ampoules	10	3151	C <i>Clopixol</i>
Zuclopendixol decanoate 500mg/ ml injection 1ml ampoules	5	3718	C <i>Clopixol-Conc</i>

---

**APPLIANCES (APPROVED LIST OF APPLIANCES - NOTES)**


---



---

**APPROVED LIST OF APPLIANCES**  
**See Part II, Clause 8A (page 6)**


---

The price listed in respect of an appliance specified in the following list is the basic price (see Part II, Clause 8) on which payment will be calculated pursuant to Part II, Clause 6 in respect of the dispensing of appliances.

**NOTES**

1. **Definition** - The appliances that may be supplied against orders on Forms FP10 are listed below and must conform with the specifications shown. See Part 1, Clause 2 (page 3). These specifications include published official standards ie BP, BPC or relevant British, European or International Standards or the Drug Tariff Technical Specification. It should be emphasized that any appliance must conform with the entry in this part of the Tariff as well as the official standard or technical specification quoted therein. Other dressings and appliances which may be necessary will normally be provided through the Hospital Services.
2. **Sealed Packets** - These are those which are "tamper-evident" - sealed with an easily detachable device that prevents removal of the contents without the seal being broken. Additionally in the case of sterile products: once a sealed package has been opened it should not be possible to re-seal it easily. Where an appliance, other than a bandage, required by the Tariff to be supplied in a sealed packet is ordered of a quantity or weight not listed in the Tariff, the quantity ordered should be made up as nearly as possible with the smallest numbers of sealed packets available for the purpose. Where the quantity ordered is less than the smallest quantity/weight, supply the smallest pack. The quantity of material in each packet supplied should be recorded on the prescription form.
3. **Quality Systems** - Non CE marked sterile products shall be manufactured in accordance with the requirements and guidance given in the Department of Health "Quality Systems for Sterile Medical Devices and Surgical Products - Good Manufacturing Practice" (HMSO, ISBN0-11-321341-7), which is the basis of the DH Manufacturer Registration Scheme (MRS) for such products.  
  
Details of this scheme may be obtained from the MRS Registration Officer, Medicines and Health products Regulatory Agency, Hannibal House, Elephant & Castle, London SE1 6TQ.  
  
Manufacturers who have received approval to CE mark their sterile products have demonstrated that these meet the essential requirements of the Medical Devices Regulations 2002, which incorporate quality system requirements.
4. **Weights** - All weights specified in the Tariff in respect of appliances are exclusive of wrappings and packing material.
5. **Invoice price** - This is the price chargeable for the appliance to the contractor by the manufacturer, wholesaler or supplier.
6. **Technical Specifications** - Numbered Technical Specifications for the items in Part IXA/B/C were published separately in 1981 in loose leaf volume and a revised list was published in 1983. The Specifications will not be reprinted annually but individual specifications will be introduced, amended and reprinted, or withdrawn, as necessary. A list of Technical Specifications is given on pages 111/112. CE marked Devices have shown that they meet the essential requirements of the Medical Devices Regulations 2002 and there is no further need for them to demonstrate compliance with other specifications, such as those referred to above.
7. **Nurse Prescribing** - The items within Part IXA and Part IXR which are **not** prescribable by nurses on form FP10(CN) or FP10(PN) are annotated ☒. See Part XVII B for details of Nurse Prescribing.

---

**APPLIANCES (APPROVED LIST OF APPLIANCES - NOTES)**

---

This Page is Intentionally Blank

---

**APPLIANCES (LIST OF TECHNICAL SPECIFICATIONS)**


---



---

**LIST OF TECHNICAL SPECIFICATIONS**


---

These specifications are available from:

**Pharmaceutical Directorate  
Prescription Pricing Authority  
Bridge House  
152 Pilgrim Street  
Newcastle upon Tyne  
NE1 6SN**

	Spec No.	Date of last revision
Absorbent Cotton, Hospital Quality	1	1981
Bandages		
Elastic Web with Foot Loop	2a	1983
Elastic Web without Foot Loop	2b	1983
High Compression (Extensible)	52	5/1992
Zinc Paste and Calamine	5	12/1990
Catheters		
Nelaton	38A	10/1996
Scott Female	38B	10/1992
Foley	38A	10/1996
Chemical Reagents		
Blood Glucose Testing Strips (BGTS)	44	11/1994
Colorimetric Biosensor	48	5/1994
Contraceptive Devices		
Vaginal Contraceptive Caps (Pessaries)	8	1981
Dressings		
Hydrogel	50	4/1995
Perforated Film Absorbent	9	5/1993
Polyurethane Foam Film	47	9/1994
Povidone Iodine Fabric	43	1988
Sterile Dressing Pack	10	1981
Sterile Dressing Pack with NW Pads	35	1/1991
Elastic Hosiery		
Graduated Compression	40	1988
Suspended Belt	13	1981
Gauze Tissues		
Gauze and Cotton Tissue	14	1983
Hypodermic Equipment		
Non-Sterile		
Hypodermic Needles (Luer Fitting)	15	1981
Hypodermic Syringes (Luer Fitting)	16	12/1990

IX

**APPLIANCES (LIST OF TECHNICAL SPECIFICATIONS)****LIST OF TECHNICAL SPECIFICATIONS**

	Spec No.	Date of last revision
Latex Foam Adhesive	19	1981
Pessaries	20	1981
Protectives		
EMA Film Gloves, Disposable	21	1981
Stockinette		
Elasticated Surgical Tubular, Foam Padded	25	1983
Elasticated Viscose	46	1989
Elastic Net Surgical Tubular	26	1983
Swabs		
Non-Woven Fabric	28	3/1993
Non-Woven Fabric, Filmated	29	1981
Trusses		
Spring	31a	1981
Elastic Band	31b	1981



---

**APPLIANCES**


---

Appliance	Size or Weight	Basic Price p
<b>ABSORBENT COTTONS</b>		
		<b>each</b>
<b>Absorbent Cotton BP 1988</b>	25g	65
Where no quantity is stated on the prescription the 25g pack is to be supplied.	100g	149
	500g	501
<b>Absorbent Cotton, Hospital Quality</b>	100g	103
Specification 1	500g	326
To be supplied only where specifically ordered.		
<b>APPLICATORS - VAGINAL</b>		
<b>Type 1. (Ortho)</b>		75
<b>Type 2. (Durex)</b>		75
<i>N.B.</i>		
1. Where an Ortho pack ordered by the prescriber does not include an applicator, and the contractor considers that one is required, an Ortho Vaginal Applicator should be supplied and the prescription form endorsed accordingly.		
2. Where Duragel Spermicide Jelly is ordered by the prescriber without an applicator and the contractor considers that one is required, a Durex Vaginal Applicator should be supplied and the prescription form endorsed accordingly.		
3. For details of prescription charges payable, See Part XVI, Sub paragraph 12.13.8.		
<b>ARM SLINGS</b>		
<b>Web, Adjustable</b>		175
<b>ATOMIZERS, HAND OPERATED</b>		
<b>Nebulizers</b>		
<u>(a) Inhalers.</u>		
(i) Type specified by the prescriber:		
<i>Brovon Midget Inhaler</i>		596
<i>Riddell Minor</i>		530
<i>Pocket Riddopag Inhaler (without mask)</i>		967
<i>Rybar Standard Inhaler No. 1 (without mask)</i>		929
<i>Rybar Standard Inhaler No. 2 (without mask)</i>		929
Other inhalers conforming to this specification may be supplied if specifically ordered and endorsed providing the *invoice price does not exceed		967
(ii) Type not specified by the prescriber		
The invoice price must not exceed		530
Spare Parts for above		*Invoice Price
* For invoice price see Note 5 (page 109)		

IXA

---

**APPLIANCES**


---

**ATOMIZERS, HAND OPERATED**(b) Devices for use with Pressurised Aerosols.**Spacer/Holding Chamber Devices**

	<b>each</b>
Able Spacer	420
Able Spacer with either small (infant), medium (child) or large (adult) mask	686
Aerochamber Plus	436
Aerochamber Plus with adult, child or infant face mask	727
Nebuhaler	428
Nebuhaler with paediatric mask	428
Optichamber	428
Pocket Chamber	418
Pocket Chamber with neonatal, child, teenager or adult mask	975
● Volumatic	275
● Volumatic paediatric with mask	275

● Please refer to manufacturer for availability

**AUTO INFLATION DEVICE (for the treatment of Glue Ear)**

<i>Otovent</i>	424
----------------	-----

**BANDAGES**

- The term "bandage" used in a prescription form without qualification is to be interpreted to mean an Open-Wove Bandage, Type 1 BP 5cm x 5m. All bandages supplied are to be of the lengths and widths specified in the Tariff. Where a bandage longer than those specified in the Tariff is ordered, the number of bandages which will, in total, provide the length nearest to that ordered should be supplied. Where a bandage in a width other than those specified is ordered, the next wider specified width should be supplied.
- Except for Elastic Web, all bandages to be supplied completely wrapped as received from the manufacturer or wholesaler. Elastic Adhesive Bandages and Plaster of Paris Bandages to be supplied sealed in containers as received from the manufacturer or wholesaler. Except where otherwise stated all bandages possessing elasticity to be not less than 4.5m in length when fully stretched.

**Conforming Bandage (Synthetic)**

<i>Hospiform</i>	6cm x 4m (stretched)	13
	8cm x 4m	16
	10cm x 4m	19
	12cm x 4m	23

**Cotton Conforming Bandage BP 1988**

<u>Type A</u>		
<i>Crinx</i>	5cm x 3.5m	67
	7.5cm x 3.5m	83
	10cm x 3.5m	102
	15cm x 3.5m	139

**Cotton Crêpe Bandage**

<i>Hospicrepe 239</i>	5cm	48
	7.5cm	67
	*10cm	87
	15cm	127

**Cotton Crêpe Bandage BP 1988**

7.5cm	293
10cm	377

**Cotton Elastic Heavy Bandage** - See Heavy Cotton and Rubber Elastic Bandage BP.

## APPLIANCES

Appliance	Size or Weight	Basic Price p
<b>BANDAGES</b>		
<b>each</b>		
<b>Cotton, Polyamide and Elastane Bandage</b>		
<i>Neosport</i>	5cm	59
	7.5cm	79
	10cm	99
	15cm	122
<i>Setocrepe</i>	*10cm	120
<i>Soffcrepe</i>	5cm	68
	7.5cm	97
	10cm	124
	15cm	178
<b>* see also Multi-layer Compression Bandaging</b>		
<b>Cotton Stretch Bandage BP 1988</b>		
<i>Hospicrepe 233</i>	5cm	56
	7.5cm	78
	10cm	104
	15cm	148
<b>Crêpe Bandage BP 1988</b>		
	5cm	93
	7.5cm	131
	10cm	172
	15cm	249
<b>Elastic Adhesive Bandage BP</b>		
(Syn: Zinc Oxide Elastic Adhesive Bandage)	5cm	346
Where no size is stated by the prescribed 7.5cm size should be supplied.	7.5cm	500
	10cm	665
		<b>per metre</b>
<b>Elastic Web Bandage BP Blue Line</b>		
	7.5cm	80
	10cm	115
<b>Elastic Web Bandage with Foot Loop Blue Line</b>		
Specification 2a	7.5cm	462
<b>Elastic Web Bandage Without Foot Loop</b>		
Red Line (Scott Curwen)	7.5cm x 2.75m	365
Specification 2b	2.5m approx unstretched length	
	7.5cm x 3.75m	441
To be supplied wrapped with instruction folder and bandage fastener	3.5m approx unstretched length	
<b>Elasticated Tubular Bandage - see Stockinettes</b>		
<b>Elastomer and Viscose Bandage, Knitted</b>		
BS compression type 2, for light support		
<i>K-Lite</i>	5cm	53
	7cm	74
	*10cm	97
	15cm	140
<i>Knit-Firm</i>	5cm	39
	7cm	55
	10cm	72
	15 cm	104
<b>* see also Multi-Layer Compression Bandaging</b>		

IXA

## APPLIANCES

Appliance	Size or Weight	Basic Price p
<b>BANDAGES</b>		
<b>Elastomer and Viscose Bandage, Knitted</b>		<b>each</b>
BS compression type 3a, for light compression		
<i>Elset</i>		
6m stretched	*10cm x 6m	260
	15cm x 6m	281
8m stretched	*10cm x 8m	333
<i>Elset S</i>		
12m stretched	15cm x 12m	558
<i>K-Plus</i>		
8.7m stretched	*10cm x 8.7m	217
<i>MillPlus</i>	10cm x 6m	134
	*10cm x 8.7m	181
<b>* see also Multi Layer Compression Bandaging</b>		
<b>Heavy Cotton and Rubber Elastic Bandage BP</b>	7.5cm	1240
<b>HIGH COMPRESSION BANDAGES (Extensible)</b>		
<b>Specification No. 52</b>		
<b>P.E.C. High Compression Bandage</b>		
Syns: Polyamide, Elastane, and Cotton Compression (High) Extensible Bandage;		
"PECCHE" Bandage		
<i>Setopress</i>	7.5cm x 3.5m unstretched	273
	10cm x 3.5m unstretched	353
<b>V.E.C. High Compression Bandage</b>		
Syns: Polyamide, Elastane, and Cotton Compression (High) Extensible Bandage;		
"VECCHE" Bandage		
<i>Tensopress</i>	7.5cm x 3m unstretched	270
	10cm x 3m unstretched	347
<b>HIGH COMPRESSION BANDAGE (Extensible)</b>		
<i>Adva-Co</i>	10cm x 3.5m unstretched	195
<i>SurePress</i>	10cm x 3m unstretched	341
<b>Knitted Polyamide and Cellulose Contour Bandage - see</b>		
Polyamide and Cellulose Contour Bandage, Knitted		
<b>Multi-layer Compression Bandaging</b>		
3M Health Care Ltd		
<i>Coban Self-Adherent Bandage</i>	10cm x 6m (stretched)	300
BSN medical Ltd		
<i>Velband Absorbent Padding Bandage</i> - listed on page 120	10cm x 4.5m	72
ConvaTec Limited		
<i>SurePress Absorbent Padding</i> - listed on page 120	10cm x 3m	52
Millpledge Healthcare		
<i>Hospi Four #1 (Ortho-Band Plus</i> - listed on page 120)	10cm x 3.5m (unstretched)	40
<i>Hospi Four #2 (Hospicrepe 239</i> - listed on page 114)	10cm x 4.5m (stretched)	87
<i>Hospi Four #3 (MillPlus</i> - listed on page 116)	10cm x 8.7m (stretched)	181
<i>Hospi Four #4 (AAA-Flex)</i>	10cm x 6.3m (stretched)	193

## APPLIANCES

Appliance	Size or Weight	Basic Price p
<b>BANDAGES</b>		
<b>each</b>		
Parema Medical Limited see Urgo Ltd		
Robinson Healthcare		
<i>(Ultra Four Non-latex Bandages)</i>		
<i>Ultra Four # 1</i>	10cm x 3.5m (unstretched)	42
<i>(Ultra Soft Wadding Bandage - listed on page 120)</i>		
<i>Ultra Four # 2</i>	10cm x 4.5m (stretched)	92
<i>(Ultra Lite)</i>		
<i>Ultra Four # 3</i>	10cm x 8.7m (stretched)	205
<i>(Ultra Plus)</i>		
<i>Ultra Four # 4</i>	10cm x 6.3m (stretched)	282
<i>(Ultra Fast Cohesive Bandage)</i>		
SSL International Plc		
<i>(Setoprime - listed on page 140)</i>	9.5cm x 9.5cm	28
<i>System 4 Wound Dressing</i>		
<i>(Softex - listed on page 120)</i>	10cm x 3.5m (unstretched)	63
<i>System 4 - #1</i>		
<i>(Setocrepe - listed on page 115)</i>	10cm x 4.5m (stretched)	120
<i>System 4 - #2</i>		
<i>(Elset - listed on page 116)</i>	10cm x 6m (stretched)	260
<i>System 4 - #3</i>		
	10cm x 8m (stretched)	333
<i>(Coban Self-Adherent Bandage - 3M Health Care Ltd)</i>	10cm x 6m (stretched)	300
<i>System 4 - #4</i>		
Smith & Nephew Healthcare Ltd		
<i>Profore Wound Contact Layer</i>	14cm x 20cm	29
<i>Profore #1 - listed on page 120</i>	10cm x 3.5m (unstretched)	67 △
<i>Profore #2</i>	10cm x 4.5m (stretched)	126
<i>Profore #3</i>	10cm x 8.7m (stretched)	376 △
<i>Profore #4</i>	10cm x 2.5m (unstretched)	311 △
<i>Profore +</i>	10cm x 3m (unstretched)	346
<i>ProGuide Wound Contact Layer</i>	10cm x 10cm	205
<i>ProGuide #1</i>	10cm x 4m	152
<i>ProGuide #2</i>		
	red 10cm x 3m (unstretched)	550
	yellow 10cm x 3m (unstretched)	600
	green 10cm x 3m (unstretched)	650
Urgo Ltd (formerly Parema Medical Limited)		
<i>K-Four Wound Dressing (Paratex - listed on page 140)</i>	9.5cm x 9.5cm	26
<i>K-Four # 1 (K-Soft - listed on page 120)</i>	10cm x 3.5m (unstretched)	43
<i>K-Four # 2 (K-Lite - listed on page 115)</i>	10cm x 4.5m (stretched)	97
<i>K-Four # 3 (K-Plus - listed on page 116)</i>	10cm x 8.7m (stretched)	217
<i>K-Four # 4 (Ko-Flex)</i>	10cm x 6m (stretched)	295
Vernon-Carus Ltd		
<i>Cellona Undercast Padding - listed on page 120</i>	5cm x 2.75m	30
	7.5cm x 2.75m	37
	10cm x 2.75m	46
	15cm x 2.75m	59

IXA

## APPLIANCES

Appliance	Size or Weight	Basic Price p
<b>BANDAGES</b>		
		<b>each</b>
<b>Multi-layer Compression Bandaging Kits</b>		
<i>K-Four 4 layer system</i> (Urgo Ltd formerly Parema Medical Ltd)	Ankle Circumference 18-25cm	680
<i>Profore 4 layer system</i> (Smith & Nephew Healthcare Ltd)	Ankle Circumference Lite up to 18cm 18-25cm 25-30cm above 30cm	524 958 892 740 1109
<i>ProGuide 2 layer system</i> (Smith & Nephew Healthcare Ltd)	Ankle Circumference 18-22cm (Red) 22-28cm (Yellow) 28-32cm (Green)	923 974 1024
<i>System 4 4 layer system</i> (SSL International)	Ankle Circumference 18-25cm	845
<i>Ultra Four 4 layer system</i> (Robinson Healthcare Ltd)	Ankle Circumference Reduced Compression (RC) up to 18cm 18-25cm	450 697 616
<b>Open-Wove Bandage, Type 1 BP 1988</b> (Syn: White open-wove bandage)	2.5cm x 5m 5cm x 5m 7.5cm x 5m 10cm x 5m	32 53 75 98
<b>Plaster of Paris Bandage BP 1988</b>		
<i>Gypsona</i>	7.5cm x 2.7m 10cm x 2.7m	170 224
<i>Neosafe</i>	7.5cm x 2.7m 10cm x 2.7m	156 209
<b>Polyamide and Cellulose Contour Bandage, BP 1988</b> (Nylon & Viscose Stretch Bandage) Length 4m stretched		

Size	Basic Price (p) each					
	Acti-Wrap (Cohesive)	Acti-Wrap (Cohesive/ Latex Free)	Easifix	Kontour	Slinky	Stayform
5cm	-	-	36	30	42	31
6cm	39	45	-	-	-	-
7.5cm	-	-	44	38	60	39
8cm	57	65	-	-	-	-
10cm	68	77	51	43	72	44
15cm	-	-	87	72	103	74

---

**APPLIANCES**


---

Appliance	Size or Weight	Basic Price p
<b>BANDAGES</b>		
<b>Polyamide and Cellulose Contour Bandage, Knitted BP 1988</b>		<b>each</b>
<i>K-Band</i>		
For dressing retention - Length 4m stretched	5cm	20
	7cm	25
	10cm	27
	15cm	48
<i>Knit-Band</i>		
For dressing retention - Length 4m stretched	5cm	11
	7cm	16
	10cm	18
	15cm	33
<i>Knit Fix</i>		
For dressing retention - Length 4m stretched	5cm	13
	7cm	18
	10cm	19
	15cm	36
<b>Short Stretch Compression Bandage</b>		
Indications: Venous leg ulcers and lymphoedema		
<i>Actiban</i>	8cm x 5m	322
	10cm x 5m	346
	12cm x 5m	421
<i>Actico (Cohesive)</i>	4cm x 6m	229
	6cm x 6m	269
	8cm x 6m	309
	10cm x 6m	321
	12cm x 6m	409
<i>Comprilan</i>	6cm x 5m	268
	8cm x 5m	315
	10cm x 5m	339
	12cm x 5m	413
<i>Rosidal K</i>	4cm x 5m	185
	6cm x 5m	258
	8cm x 5m	308
	10cm x 5m	336
	10cm x 10m	585
	12cm x 5m	408
<i>Silkolan</i>	8cm x 5m	326
	10cm x 5m	368
<i>Varex Short Stretch</i>	10cm x 5m	345

IXA

## APPLIANCES

Appliance	Size or Weight	Basic Price p each
<b>BANDAGES</b>		
<b>Sub-compression Wadding Bandage</b>		
<i>Advasoft</i>		
3.5m unstretched	10cm x 3.5m	39
<i>Cellona Undercast Padding</i>	*5cm x 2.75m	30
2.75m unstretched	*7.5cm x 2.75m	37
	*10cm x 2.75m	46
	*15cm x 2.75m	59
<i>Flexi-Ban</i>		
3.5m unstretched	10cm x 3.5m	48
<i>K-Soft</i>		
3.5m unstretched	*10cm x 3.5m	43
<i>Ortho-Band Plus</i>		
3.5m unstretched	*10cm x 3.5m	40
<i>Profore #1 (100% Natural Fleece)</i>		
3.5m unstretched	*10cm x 3.5m	67 △
<i>Softexe</i>		
3.5m unstretched	*10cm x 3.5m	63
<i>SurePress Absorbent Padding</i>		
	*10cm x 3m	52
<i>Ultra Soft Wadding Bandage</i>		
3.5m unstretched	*10cm x 3.5m	42
<i>Velband Absorbent Padding Bandage</i>		
4.5m unstretched	*10cm x 4.5m	72
* see also Multi-layer Compression Bandaging		
<b>Suspensory Bandage, Cotton</b> Note: type supplied to be endorsed.		
<u>Type 1</u>		
Cotton net bag with draw tapes and webbing waistband	Small	162
	Medium	162
	Large	162
	Ex-large	172
<u>Type 2</u>		
Cotton net bag with elastic edge and webbing waistband	Small	179
	Medium	185
	Large	191
	Ex-large	199
<u>Type 3</u>		
Cotton net bag with elastic edge and webbing waistband with insertion of elastic centre-front	Small	194
	Medium	194
	Large	194
	Ex-large	200
<b>Triangular Calico Bandage BP 1980</b>		
	Sides - 90cm	117
	Base - 127cm	
<b>Tubular Bandage</b> - See Stockinettes		
<b>White Open-Wove Bandage</b> - See Open-Wove Bandage, Type 1		
<b>Zinc Paste Bandages</b>		
<u>Zinc Paste Bandage BP</u>		
<i>Benefoot Zinc Paste (10%)</i>	7.5cm x 6m	310
<i>Viscopaste PB7 (10%)</i>	7.5cm x 6m	350 △
<u>Zinc Paste and Coal Tar Bandage BP</u>		
	7.5cm x 6m	340
<u>Zinc Paste and Ichthammol Bandage BP</u>		
<i>Ichthopaste (6/2%)</i>	7.5cm x 6m	353 △



## APPLIANCES

Appliance	Size or Weight	Basic Price p
<b>BREAST RELIEVER</b>		<b>each</b>
Plasticised PVC polymer bulb with glass or polycarbonate receiver	60ml approx.	420
<b>BREAST SHIELDS</b>		<b>per pair</b>
Plastic circular - (Not to be confused with Nipple Shields)		395
<b>BRUSHES</b>		
Tracheostomy Brush - See Tracheostomy and Laryngectomy Appliances		
<b>CATHETERS, ACCESSORIES</b>		<b>pack of 5</b>
Bard Comfasure Catheter Retainer Strap	Small	1363
	Adult	1363
	Abdominal	1418
P. Grip Catheter Retaining Strap		<b>each</b>
CS.01 1 x leg strap (38mm x 600mm)		245
1 x green velcro tab (20mm x 130mm)		
2 x self adhesive micro hooktabs (43mm x 25mm)		
CS.02 1 x abdominal strap (38mm x 900mm)		260
1 x green velcro tab (20mm x 130mm)		
2 x self adhesive micro hooktabs (43mm x 25mm)		
CS.TABS		219
1 x green velcro tab (20mm x 130mm)		
10 x self adhesive micro hooktabs (43mm x 25mm)		
<b>CATHETER MAINTENANCE SOLUTIONS</b>		
OptiFlo G	(CSG50)	50ml 334
3.23% Citric Acid (Suby G)	(CSG100)	100ml 334
OptiFlo R	(CSR50)	50ml 334
6.0% Citric Acid (Solution R)	(CSR100)	100ml 334
OptiFlo S	(CSS50)	50ml 315
0.9% Saline	(CSS100)	100ml 315
Uriflex G	(GR076)	100ml 329 △
3.23% Citric Acid		
Uriflex R	(GR086)	100ml 329 △
6% Citric Acid		
Uriflex S	(GR066)	100ml 329
NaCl 0.9%		
Uriflex SP	(GR027)	50ml 329
NaCl 0.9%	(GR026)	100ml 329
Uriflex W	(GR056)	100ml 329
Sterile Water		
Uro-Tainer NaCl 0.9%	(FB99849)	50ml 305
	(FB99833)	100ml 305
Uro-Tainer Twin Solutio R	(9746625)	2 x 30ml 417
6.0% Citric Acid		
Uro-Tainer Twin Suby G	(9746609)	2 x 30ml 417
3.23% Citric Acid		

IXA

---

**APPLIANCES**


---

**CATHETERS, URINARY, URETHRAL**

- Catheter sizes are designated by the Charrière (Ch) gauge system - even numbers only. (The equivalent metric sizes for Charrière gauges 6-30 are 2.0mm-10.0mm, rising in 0.66mm). Where size is not stated by the prescriber, size 14 or 16 should be supplied.
- If a balloon size is not stated by the prescriber when ordering a Foley catheter, a 10ml balloon catheter should be supplied - a 5ml balloon in the case of a paediatric catheter.
- Where the brand is not stated by the prescriber, the basic price of each listed catheter supplied must not exceed:

Nélaton (Male)	41
Nélaton (Female)	38
Nélaton (Paediatric)	38
Foley (Male)	210
Foley (Female)	210
Foley (Paediatric)	410
- 5-units of plastic catheters, for example, represents on average one month's supply for patients practising intermittent catheterisation.
- For names and addresses of suppliers see pages 224-225*
- The rate of use of single use Nélaton catheters is approximately between 6 and 45 times greater than reusable Nélaton catheters for patients practising intermittent catheterisation.*

---

Appliance	Gauge (Ch)	Basic Price p
	(See Note 1 - page 122)	pack of 5
<b>(A)(i) Nélaton Catheter ('ordinary' cylindrical Catheter)</b>		
Specification 38A and/or CE		
Bard Reliacath PTFE Coated Latex		
	(DO159C)	14 766 (≅153 each)
Bard Reliacath Plastic (Male)	(D5030)	12-18 706 (≅141 each)
(Female)	(D5031)	12-18 706 (≅141 each)
(Paediatric)	(D5032)	8-10 706 (≅141 each)
Coloplast Ltd		
PVC		
(Male)	(T1010-T1018)	10-18 567 (≅113 each)
(Female)	(T2012-T2018)	12-18 603 (≅121 each)
(Paediatric)	(T3006-T3010)	6-10 603 (≅121 each)
Hunter Urology Ltd		
SafetyCat non-coated ISC		
(Male)	(SCM08-SCM18)	8-18 4542 (≅151 each)
(Female)	(SCF08-SCF18)	8-18 4542 (≅151 each)
(Paediatric)	(SCP06-SCP10)	6-10 4542 (≅151 each)

---

## APPLIANCES

Appliance		Gauge (Ch)	Basic Price p
(A)(1) <b>Nelaton Catheter (ordinary cylindrical Catheter)</b>			<b>pack of 30</b>
Mentor Medical Ltd			
Mentor Self-Cath			
(Male)	(408-418)	8-18	3171 (≅106 each)
(Female)	(208-214)	8-14	3171 (≅106 each)
(Paediatric)	(305-310)	5-10	3171 (≅106 each)
(Male Coude Taper Tip)	(608-614)	8-14	4500 (≅150 each)
(Male Coude Olive Tip)	(806-816)	6-16	4500 (≅150 each)
PVC			<b>pack of 5</b>
(Male)	(WS 850/8-14)	8-14	827 (≅160each)
(Female)	(WS 854/8-14)	8-14	798 (≅160 each)
Pennine			<b>pack of 10</b>
(Male)	(NC-1212/FP-1216/FP)	12-16	412 (≅ 41 each)
(Female)	(FC-1410/FP-1414/FP)	10-14	376 (≅ 38 each)
(Paediatric)	(NC-1206/FP/25-1210/ FP/25)	6-10	376 (≅ 38 each)
Pennine Pre-Lube catheter with integral PVC capsule containing lubragel			
(Male)	(NC1608/FP-NC1616/ FP)	8-16	985 (≅ 99 each)
(Male)	(NC1608/BG/FP- NC1616/BG/FP) (including 1 litre integral bag)	8-16	1140 (≅ 114 each)
(Female)	(FC1608/FP-FC1616/ FP)	8-16	984 (≅98 each)
Rusch UK see Teleflex Medical			
Teleflex Medical (Formerly Rusch UK)			
Rusch PVC Riplex Jaques			
(Male)	(DT6115-5)	8-18	727 (≅145 each)
(Female)	(DT6114-5)	8-18	663 (≅133 each)
Rusch PVC Riplex Extra Long (76cm)			
(Male/Female)	(DT6116)	8-18	737 (≅147 each)
Rusch Soft Rubber Jaques			<b>pack of 1</b>
(DT5143-1/5)		8-18	150 <b>pack of 5</b> 632 (≅126 each)

IXA

---

**APPLIANCES**


---

Appliance		Gauge (Ch)	Basic Price p
		(See Note 1 - page 122)	
<b>(A)(i) Nélaton Catheter ('ordinary' cylindrical Catheter)</b>			<b>pack of 30</b>
Unomedical Ltd			
(Male)	(ZT01007182- ZT01013182)	10-16	547 (≅109 each)
(Male Paediatric)	(ZT01004182)	8	547 (≅109 each)
(Female)	ZT02015182- ZT02017182)	10-14	547 (≅109 each)
<b>(A)(ii) Nélaton Catheter ('ordinary' cylindrical Catheter) Single use</b>			<b>pack of 25</b>
Astra Tech LoFric Plus (non PVC)			
(Male)	(903800-905400)	8-24	3211 (≅128 each)
(Female)	(943800-944800)	8-18	3211 (≅128 each)
(Female 15cm)	(983800-984800)	8-18	3211 (≅128 each)
(Paediatric)	(923600-924000)	6-10	3211 (≅128 each)
(Paediatric 30cm)	(993600-994000)	6-10	3211 (≅128 each)
Astra Tech LoFric			
(Male)	(900800-902400)	8-24	3211 (≅128 each)
(Female)	(940800-941800)	8-18	3211 (≅128 each)
(Female 15cm)	(980800-981400)	8-14	3211 (≅128 each)
(Paediatric)	(920600)	6	3211 (≅128 each)
	(990600-991000)	6-10	3211 (≅128 each)
(Tiemann Tip)	(961000-962000)	10-20	3211 (≅128 each)
Astra Tech LoFric H <sub>2</sub> O with integral water sachet			
(Male)	(9900800-9901600)	8-16	3649 (≅146 each)
(Female)	(9940800-9941600)	8-16	3649 (≅146 each)
(Paediatric)	(9920600-9921000)	6-10	3649 (≅146 each)
Astra Tech LoFric Insti-Cath			
(Male)	(800800-801400)	8-14	3375 (≅135 each)
(Female)	(810800-811400)	8-14	3375 (≅135 each)
(Paediatric)	(812800-813000)	8-10	3375 (≅135 each)
(Tiemann)	(821000-821400)	10-14	3375 (≅135 each)

---

**APPLIANCES**


---

Appliance		Gauge (Ch)	Basic Price p
	(See Note 1 - page 122)		
<b>(A)(ii) Nelaton Catheter ('ordinary' cylindrical Catheter) Single use</b>			<b>pack of 30</b>
Astra Tech LoFric Primo with integrated water pocket			
(Male)	(9601000-9601800)	10-18	4290 (≅143 each)
(Female 15cm)	(9680800-9681800)	8-18	4290 (≅143 each)
(Female 20cm)	(9640800-9641800)	8-18	4290 (≅143 each)
(Paediatric)	(9620800-9621000)	8-10	4290 (≅143 each)
Bard Interglide Coated Intermittent Catheter			<b>pack of 25</b>
(Male)	(D6030)	8-18	3333 (≅133 each)
(Female)	(D6031)	8-18	3333 (≅133 each)
(Paediatric)	(D6032)	8-10	3333 (≅133 each)
B. Braun Medical Actreen Cath			
(Male)	(HC5208E-HC5218E)	8-18	3669 (≅122 each)
(Female)	(HC5306E-HC5316E)	6-16	3669 (≅122 each)
(Tiemann Tip)	(HC5108E-HC5118E)	8-18	3669 (≅122 each)
B.Braun Medical Actreen Glyc Cath			
(Male)	(225208E-225218E)	8-18	4150 (≅138 each)
(Female)	(225306E-225316E)	6-16	4150 (≅138 each)
(Male Tiemann)	(225108E-225118E)	8-18	4150 (≅138 each)
B.Braun Medical Actreen Glyc Luer Lock			<b>pack of 10</b>
(Male)	(227208E-227216E)	8-16	1380 (≅138 each)
(Female)	(227308E-227316E)	8-16	1380 (≅138 each)
(Male Olive Tip Tiemann)	(227408E-227416E)	8-16	1380 (≅138 each)

IXA

## APPLIANCES

Appliance		Gauge (Ch)	Basic Price p
		(See Note 1 - page 122)	
<b>(A)(ii) Nelaton Catheter ('ordinary' cylindrical Catheter) Single use</b>			
Coloplast Ltd			
Speedicath (Pre-Hydrated Polyurethane)			<b>pack of 30</b>
(Male)	(28408)	8	4230 (=141 each)
	(28410-28414)	10-14	4230 △ (=141 each)
	(28416-28418)	16-18	4230 (=141 each)
(Female)	(28506)	6	4149 (=138 each)
	(28508)	8	4230 (=141 each)
	(28510-28514)	10-14	4230 △ (=141 each)
	(28516)	16	4230 (=141 each)
(Paediatric)	(28706)	6	4149 (=138 each)
	(28708-28710)	8-10	4230 (=141 each)
(Speedicath 30cm)	(28606)	6	4149 (=138 each)
	(28608-28612)	8-12	4230 (=141 each)
(Tiemann)	(28490-28494)	10-14	4230 (=141 each)
Speedicath Compact			4374 (=146 each)
(Female)	(28578-28584)	8-14	
Conveen EasiCath			<b>pack of 25</b>
(Male Nélaton)	(5348-5362)	8-22	2940 (=118 each)
(Female)	(5368-5376)	8-16	2940 (=118 each)
(Paediatric)	(5006-5010)	6-10	2940 (=118 each)
(Easicath 30cm)	(5086-5092)	6-12	2832 (=113 each)
(Tiemann Tip)	(5380-5388)	10-18	2940 (=118 each)
GTA (UK) Ltd Idrocath			<b>pack of 20</b>
(Male)	(50010)	8-24	1980 (= 99 each)
(Female)	(50011)	8-18	1980 (= 99 each)
(Paediatric)	(50012)	6-10	1980 (= 99 each)
(Child)	(50013)	8-10	1980 (= 99 each)
(Tiemann)	(50014)	10-20	1980 (= 99 each)

---

**APPLIANCES**


---

Appliance		Gauge (Ch)	Basic Price p
		(See Note 1 - page 122)	
<b>(A)(ii) Nelaton Catheter ('ordinary' cylindrical Catheter) Single use</b>			
			<b>pack of 25</b>
Hollister Advance Hydro Soft Hydrophilic Intermittent Catheter with integral sterile water			
(Male 40cm)	(82108-82188)	10-18	3333 (≅133 each)
(Female 15cm)	(82103-82143)	10-14	3333 (≅133 each)
(Paediatric 25cm)	(82085-82105)	8-10	3333 (≅133 each)
Hollister Advance Intermittent catheters with protective tip			
(Male)	(92084-92184)	8-18	3342 (≅134 each)
(Female)	(92062-92142)	6-14	3342 (≅134 each)
Hollister InstantCath			
(Male)	(9670-9673)	10-16	3166 (≅127 each)
(Female)	(9674-9676)	10-14	3166 (≅127 each)
(Paediatric)	(9677-9678)	6-8	3166 (≅127 each)
Hunter Urology Ltd AntiBac			<b>pack of 30</b>
(Male)	(ABM08-ABM18)	8-18	4132 (≅138 each)
(Female)	(ABF08-ABF18)	8-18	4132 (≅138 each)
(Paediatric)	(ABP06-ABP10)	6-10	4132 (≅138 each)
Hunter Urology Ltd AntiBac AV			
(Male)	(AVM08-AVM18)	8-18	4132 (≅137 each)
(Female)	(AVF08-AVF18)	8-18	4132 (≅137 each)
(Paediatric)	(AVP06-AVP10)	6-10	4132 (≅137 each)
Mentor Medical Ltd			<b>pack of 25</b>
Self-Cath HydroGel	(9410-9416)	10-16	3450 (≅138 each)
Self-Cath plus			
(Male)	(USCC8M-USCC16M)	8-16	3395 (≅136 each)
(Female)	(USCC8F-USCC16F)	8-16	3395 (≅136 each)
(Paediatric)	(USCC06P)	6	3395 (≅136 each)
Rochester Medical Silicone Personal Catheter			
(Male)	(63310-63318)	10-18	3388 (≅113 each)
(Female)	(61310-61318)	10-18	3388 (≅113 each)
(Paediatric)	(62308-62310)	8-10	3388 (≅113 each)

IXA

---

**APPLIANCES**


---

Appliance		Gauge (Ch)	Basic Price p
		(See Note 1 - page 122)	
<b>(A)(ii) Nelaton Catheter ('ordinary' cylindrical Catheter) Single use</b>			<b>pack of 30</b>
Rochester Medical Silicone Hydrophilic Personal Catheter with integral water pack			
(Male)	(63610-63618)	10-18	4029 (≡134 each)
(Female)	(61610-61618)	10-18	4029 (≡134 each)
(Paediatric)	(62608-62610)	8-10	4029 (≡134 each)
Rusch UK see Teleflex Medical			
Shiloh Healthcare Conticath Bluelite Coated			
(Male)	CCNM8-CCNM18	8-18	3206 (≡107 each)
(Female)	CCNF8-CCNF16	8-16	3206 (≡107 each)
(Paediatric)	CCNP6-CCNP10	6-10	3206 (≡107 each)
Teleflex Medical (formerly Rusch UK)			
Rusch Flocath Hydro Gel			
(Female)	(851121)	8-16	3480 (≡116 each)
(Female Olive Tip)	(851122)	8-16	3900 (≡130 each)
(Paediatric)	(851131)	6-10	3480 (≡116 each)
(Paediatric Olive Tip)	(851132)	8-10	3900 (≡130 each)
(Male)	(851141)	8-20	3480 (≡116 each)
(Male Olive Tip)	(851142)	8-18	3900 (≡130 each)
(Male Tiemann Tip)	(851143)	10-18	3480 (≡116 each)
Rusch Flocath quick, with integral 0.9% sterile saline solution			
(Female)	(851221)	8-14	3600 (≡120 each)
(Male)	(851241)	8-18	3600 (≡120 each)
<b>(A)(iii) Dilatation Catheter without drainage eyes</b>			<b>pack of 25</b>
<b>Not indicated for bladder emptying</b>			
Astra Tech LoFric Dila-Cath	(891600/800)	16-18	3211 (≡128 each)
GTA(UK) Ltd			
Idrocath Dilatation	(50316-18)	16-18	3000 (≡120 each)
Hunter Urology Ltd			<b>pack of 30</b>
AntiBac D	(ABD16-ABD18)	16-18	3791 (≡126 each)



---

**APPLIANCES**


---

Appliance		Gauge (Ch)	Basic Price p
		(See Note 1 - page 122)	
<b>(A)(iv) Nélaton Catheter with Urine Drainage Bag</b>			
Astra Tech			<b>pack of 20</b>
LoFric Cath-Kit			
(Male)	(910800-911800)	8-18	3160 (≅158 each)
(Female)	(950800-951800)	8-18	3160 (≅158 each)
(Paediatric)	(930600-931000)	6-10	3160 (≅158 each)
(Tiemann)	(971000-971800)	10-18	3160 (≅158 each)
B. Braun Medical Actreen Set			<b>pack of 30</b>
(Male)	((HO6208E-HO6218E)	8-18	4664 (≅155each)
(Female)	(HO6306E-HO6316E)	6-16	4664 (≅155 each)
(Tiemann Tip)	(HO6108E-HO6116E)	8-16	4664 (≅155 each)
B.Braun Medical Actreen Glyc Set			
(Male)	(226208E-226218E)	8-18	5598 (≅187 each)
(Female)	(226306E-226316E)	6-16	5598 (≅187 each)
(Male Tiemann)	(226108E-226116E)	8-16	5598 (≅187 each)
<b>(A)(v) Nélaton Catheter with Water Container and Urine Drainage Bag</b>			
Astra Tech			<b>pack of 20</b>
LoFric Hydro-Kit II			
(Male)	(9830800-9831800)	8-18	3544 (≅177 each)
(Female)	(9850800-9851800)	8-18	3544 (≅177 each)
(Paediatric)	(9840600-9841000)	6-10	3544 (≅177 each)
(Tiemann)	(9871000-9871800)	10-18	3544 (≅177 each)
GTA(UK) Ltd			
Idrocath Kit			
(Male)	(50110)	8-24	3300 (≅165 each)
(Female)	(50111)	8-18	3300 (≅165 each)
(Paediatric)	(50112)	6-10	3300 (≅165 each)
(Child)	(50113)	8-10	3300 (≅165 each)
(Tiemann)	(50114)	10-18	3300 (≅165 each)

IXA

---

**APPLIANCES**


---

Appliance		Gauge (Ch)		Basic Price p
		(See Note 1 - page 122)		
<b>(B) Scott Catheter</b> (short curved tubular catheter for women and girls)				<b>pack of 5</b>
Specification 38B and/or CE				
Mentor Medical Ltd				
Polythene	(WS852/8-14)	8-14		1295 (=259each)
<b>(C)(i)(a) Foley Catheter - 2 Way (indwelling Nélaton catheter with balloon)</b>				<b>pack of 1</b>
For Short/Medium Term Use - Adult				
Specification 38A and/or CE				
<i>Note: Average period of use is 1 to 3 weeks</i>				
Bard PTFE Coated Latex				
(Male)	(D1265LV)	10	12-26	257
	(D1266LV)	30	16-26	257
(Female)	(D0169LV)	10	12-22	383
#	Bard PTFE Aquamatic Coated Latex			
	(D1265AL)	10	12-22	293
#	Pre-filled with sterile water			
Mentor Medical Ltd				
Freedom Folatex Latex				
(Male)	(41-515/41-517)	10	12-28	231
	(41-525/41-527)	30	12-28	231
(Female)	(41-915/41-917)	10	12-28	231
Rusch UK see Teleflex Medical				
Teleflex Medical (formerly Rusch UK)				
Rüsch PTFE AquaFlate. PTFE Coated Latex with sterile water filled syringe for balloon inflation and empty syringe for balloon deflation				
(Male)	(DP310112 - DP310124)	10	12-24	210
(Female)	(DP210112 - DP210124)	10	12-24	210
Universal Hospital Supplies Ltd				
Silicone Elastomer				
(Male)	(UN51161210-UN51162610)	10	12-26	280
<b>(C)(i)(b) Foley Catheter - 2 Way (indwelling Nélaton catheter with balloon)</b>				
For Short/Medium Term Use - Paediatric				
<i>Note: Average period of use is 1 to 3 weeks</i>				
Bard				
PTFE Coated Latex				
	(D0165PV)	5	8-10	709
Mentor Medical Ltd				
Freedom Folatex Latex				
	(41-585)	5	8-10	410

---

**APPLIANCES**


---

Appliance	Balloon Size (ml)	Gauge (Ch)	Basic Price p
	(See Note 2 - page 122)	(See Note 1 - page 122)	
<b>(C)(ii)(a)Foley Catheter - 2 Way For Long Term Use - Adult</b>			<b>pack of 1</b>
<i>Note: Average period of use is 3 to 12 weeks</i>			
Bard Bardex I.C. with silver alloy coating and a pre-filled syringe of sterile water			
(Standard)	(D236512S-D236522S)	10	12-22 941
(Female)	(D236912S-D236916S)	10	12-16 941
Bard Biocath Hydrogel Coated			
(Male)	(D2265)	10	12-26 792
	(D2266)	30	12-26 802
(Female)	(D2269)	10	12-22 802
# Bard Biocath Aquamatic Hydrogel Coated			
(Male)	(D2264)	10	12-22 815
(Female)	(D2268)	10	12-22 819
Bard Lubri-Sil Aquafil Hydrogel Coated Silicone with pre-filled syringe of sterile water			
(Male)	(D1758)	10	12-22 926
(Female)	(D1761)	10	12-16 926
Bard Lubri-Sil Hydrogel Coated Silicone			
(Male)	(D1768)	30	16-22 911
Bard Silicone Elastomer Coated Latex			
(Male)	(D1657)	10	12-22 871
	(D1667)	30	16-22 871
(Female)	(D1647)	30	16-22 871
# Bard Silicone Elastomer Coated Latex			
(Male)	(D1657AL)	10	12-22 941
(Female)	(D1637AL)	10	12-22 941
Bard All Silicone			
(Male/Standard)	(D1658)	10	12-22 898
(Male/Standard)	(D1668)	30	16-22 898
(Female)	(D1661)	10	12-16 862
Bard Silastic Silicone Coated			
(336)		10	12-24 822
(334)		30	16-28 874
# Pre-filled with sterile water			
Coloplast All Silicone			
(Male)	(367312-367314)	10	12-14 898
	(367516-367520)	10	16-20 898
	(367216-367218)	20	16-18 898
	(367220)	30	20 898
(Female)	(366312-366314)	10	12-14 889
	(366516-366518)	10	16-18 889
	(366220)	30	20 889

IXA

## APPLIANCES

Appliance	Balloon Size (ml)	Gauge (Ch)	Basic Price p
	(See Note 2 - page 122)	(See Note 1 - page 122)	
<b>(C)(ii)(a)Foley Catheter - 2 Way For Long Term Use - Adult</b>			<b>pack of 1</b>
<i>Note: Average period of use is 3 to 12 weeks</i>			
L.I.N.C Medical			
All Silicone Catheter with integral balloon			
(Male)	(08501205)	5	12 795
	(08501405)	5	14 795
	(08501610)	10	16 795
	(08501810)	10	18 795
(Female)	(085012051)	5	12 795
	(085014051)	5	14 795
	(085016101)	10	16 795
2 Way Foley All Silicone			
(Male)	(08501430)	30	14 795
	(08501630)	30	16 795
	(08501830)	30	18 795
	(08502030)	30	20 795
	(08502230)	30	22 795
	(08502430)	30	24 795
	(08502630)	30	26 795
Medasil (Surgical) Ltd All Silicone			
(Male)	(84M)	10	12-26 462
	(85M)	30	16-26 462
(Female)	(86F)	10	12-26 462
	(87F)	30	16-26 462
Mentor Medical Ltd			
Freedom Folsil All Silicone Catheter			
(Male) (open ended)	(AA74)	10	12-18 586
(Male)	(AA71)	10	12-24 586
(Female)	(AA75)	10	12-16 586
†	Transcath Clear Standard Silicone Catheter		
(Male/Female)	(TC2125, TC2145, TC2165, TC2185, TC2205, TC2225, TC2245)	5-10	12-24 751
	((TC21630, TC21830, TC22030, TC22230, TC22430, TC22630)	30	16-26 751
(3 Way)	(TC3165, TC3185, TC3205, TC3225, TC3245, TC3265)	5-10	16-26 805
	(TC31630, TC31830, TC32030, TC32230, TC32430, TC32630)	30	16-26 805
Rochester Medical All Silicone 2-way			
(Male)	(14212-14224)	10	12-24 865
	(24216-24226)	30	16-26 865

Rusch UK see Teleflex Medical

† to be deleted 1 April 2006

---

**APPLIANCES**


---

Appliance	Balloon Size (ml)	Gauge (Ch)	Basic Price p
	(See Note 2 - page 122)	(See Note 1 - page 122)	
<b>(C)(ii)(a)Foley Catheter - 2 Way For Long Term Use - Adult</b>			<b>pack of 1</b>
<i>Note: Average period of use is 3 to 12 weeks</i>			
Teleflex Medical (formerly Rusch UK)			
Rüsch Brilliant AquaFlate All-Silicone with sterile water filled syringe for balloon inflation and empty syringe for balloon deflation			
(Male)	(DA310112 - DA310124)	10	12-24 595
(Female)	(DA210112 - DA210124)	10	12-24 595
Rüsch Brilliant SilFlate All-Silicone with glycerine filled syringe for balloon inflation and empty syringe for balloon deflation			
(Male)	(DG310112 - DG310124)	10	12-24 699
(Female)	(DG210112 - DG210124)	10	12-24 699
Rüsch Sympacath AquaFlate Hydrogel Coated Latex with sterile water filled syringe for balloon inflation and empty syringe for balloon deflation.			
(Male)	(DH310112 - DH310124)	10	12-24 595
(Female)	(DH210112 - DH310124)	10	12-24 595
The Kendall Company (UK) Ltd			
Argyle All Silicone			
(Male)	(8887-805128-805227)	10	12-22 583
	(8887-830167)	20	16 583
	(8887-830183-830266)	30	18-26 583
(Female)	(8887-815127-815184)	10	12-18 583
Ultramer			
(Male)	(1612-1M/1626-1M)	5	12-26 625
(Female)	(1712-1F/1722-1F)	5	12-22 625
(Male)	(1416-1M/1426-1M)	30	16-26 625
(Female)	(1216-1F/1222-1F)	30	16-22 625
Universal Hospital Supplies Ltd			
All Silicone			
(Male)	(UN41151205-UN41152005)	10	12-20 420
Lubricious			
(Male)	(UN51181210-UN51182610)	10	12-26 515
Unomedical Ltd			
2 Way Foley All Silicone			
(Male)	(MMS41151205-MMS41152605)	10	12-26 510
(Male)	(MMS41151630-MMS41152630)	30	16-26 510
2 Way Silicone Elastomer Coated Latex			
(Male)	(MMS51161210-MMS51162610)	10	12-26 490
(Male)	(MMS51161230-MMS51162630)	30	12-26 490
(Female)	(MMS54161210-MMS54162410)	10	12-24 490

IXA

---

**APPLIANCES**


---

Appliance	Balloon Size (ml)	Gauge (Ch)	Basic Price p
	(See Note 2 - page 122)	(See Note 1 - page 122)	
<b>(C)(ii)(b) Foley Catheter - 2 Way For Long Term Use - Paediatric</b>			<b>pack of 1</b>
<i>Note: Average period of use is 3 to 12 weeks</i>			
Bard Biocath Hydrogel Coated			
(D2263)	5	8-10	802
Bard Lubri-Sil Hydrogel Coated Silicone			
(D1758)	5	8-10	911
Coloplast All Silicone	5	8-10	897
(367308-367310)			
L.I.N.C Medical (formerly Yushin Medical)			
2 Way Foley All Silicone			
(08580803)	3	8	795
(08581003)	3	10	795
(08500601)	5	6	795
(08500803)	5	8	795
(08501003)	5	10	795
Medasil (Surgical) Ltd			
All Silicone			
(83P)	5	8-10	462
† Mentor Medical Ltd			
Transcath Clear Standard Silicone Catheter			
(TC2061, TC2083, TC2103)	1.5-3	6-10	751
The Kendall Company (UK) Ltd			
Argyle All Silicone	5	8-10	629
(8887-803081-803107)			
Unomedical Ltd			
2 Way Foley All Silicone			
(Paediatric)			
(MMS43150605- MMS43151005)	1.5-3	6-10	560
2 Way Silicone Elastomer Coated Latex			
(Paediatric)			
(MMS53160605- MMS53161005)	5	6-10	540
† to be deleted 1 April 2006			
<b>(D) Intermittent Catheter with finger grip and lid</b>			<b>pack of 30</b>
Engineers & Doctors Ltd			
Emteva	46F12-30-UK		12 3900 (≅130 each)
<b>(E) Intermittent Catheter with introducer tip and urine bag</b>			<b>pack of 25</b>
Hollister Advance Plus			
(Nélaton)	(94064-94184)	6-18	6593 (≅264 each)
(Tiemann Tip)	(95124-95164)	12-16	6593 (≅264 each)
Hollister InstantCath Protect			
(Nélaton)	(9690-9696)	6-18	6591 (≅264 each)
(Tiemann Tip)	(9697-9699)	12-16	6591 (≅264 each)

---

**APPLIANCES**


---

Appliance	Balloon Size (mL)	Gauge (Ch)	Basic Price p
	(See Note 2 - page 122)	(See Note 1 - page 122)	
<b>(F) Intermittent Catheter with lubricant, insertion aid and urine bag</b>			<b>pack of 30</b>
Rusch UK see Teleflex Medical			
Teleflex Medical (formerly Rusch UK)			
Rusch Flocath Intro Gel (Female)	(851621)	8-16	6600 (=220 each)
(Female Olive Tip)	(851622)	8-16	7320 (=244 each)
(Paediatric)	(851631)	8-10	6600 (=220 each)
(Paediatric Olive Tip)	(851632)	8-10	7320 (=244 each)
(Male)	(851641)	8-18	6600 (=220 each)
(Male Olive Tip)	(851642)	8-18	7320 (=244 each)
(Male Tiemann Tip)	(851643)	10-18	6600 (=220 each)
<b>(G) Silver Female Reusable Catheter</b>			<b>pack of 1</b>
<b>For Long Term Use, Reusable For Intermittent Self Catheterisation</b>			
S G & P Payne			
Incontiaid Silver Female Catheter (1315-1318)		8-14	3902
<b>(H) Stainless Steel Catheter</b>			<b>pack of 6</b>
<b>For Long Term Use, Reusable For Intermittent Self Catheterisation</b>			
Malvern Medical Developments Ltd			
Biscath System	Comprises of 6 stainless steel catheters with case, brushes, scraper and hard and soft carrying case.		
(Female)	(BISC001)	8	24875
	(BISC002)	10	24875
	(BISC003)	12	24875
	(BISC004)	14	24875
<b>(I) Urinary Suprapubic Catheters</b>			<b>pack of 1</b>
L.I.N.C Medical (formerly Yushin Medical)			
2 Way All Silicone Suprapubic Catheter with integral balloon & central opening			
(Paediatric)	(08471003)	3	1095
(Short)	(08471205)	5	12 1095
	(08471405)	5	14 1095
	(08471610)	10	16 1095
	(08471810)	10	18 1095
	(08472010)	10	20 1095
	(08472210)	10	22 1095
	(08472410)	10	24 1095
(Long)	(08451205)	5	12 1095
	(08451405)	5	14 1095
	(08451610)	10	16 1095
	(08451810)	10	18 1095
	(08452010)	10	20 1095
	(08452210)	10	22 1095
	(08452410)	10	24 1095
2 Way All Silicone Suprapubic Catheter with integral balloon, central opening and shaped tip			
	(084612051)	5	12 1095
	(084614051)	5	14 1095
	(084616101)	10	16 1095
	(084618101)	10	18 1095
	(084620101)	10	20 1095

IXA

---

**APPLIANCES**


---

Appliance	Size or Weight	Basic Price p
<b>CELLULOSE WADDING BP 1988</b>		<b>each</b>
<i>Cellosene</i>	500g	220
<b>CERVICAL COLLAR, SOFT FOAM</b>		
<i>Eesiness Soft Cervical Foam Collar</i>		
Small	23562000	250
Medium	23562100	250
Large	23562200	250
<i>Clini Cervical Collar</i>		
Small (44cm)	OA8009	240
Medium (48cm)	OA8016	240
Large (53cm)	OA8023	240
<b>CHIROPODY APPLIANCES</b>		
<b>Adhesive Felt</b>	10.5cm x 8.3cm x 5mm thick	89
Zinc oxide or acrylic adhesive, spread on semi-compressed surgical wool felt	10cm x 22.5cm x 5mm thick	180
<b>Animal Wool BP 1988</b> (Syn: Animal Wool for Chiropody) (Long Strand Lamb's Wool for Chiropody)	25g	85
<b>Bunion Rings</b>		<b>box</b> 87
Self-adhesive, semi-compressed felt (in box of 4 pieces)		
<b>Corn Rings</b>	5 mm thick	<b>box</b> 87
Self-adhesive, semi-compressed felt in a box of 9 pieces		
<b>Metatarsal Arch Supports</b> (Price of a single article is half that of a pair)		<b>pair</b> 685
<b>Wool Felt BP 1988</b> (Syn: Wool Felt, Surgical) Semi-compressed	10.5 cm x 8.3 cm x 7 mm thick	<b>each</b> 106
<b>CONTRACEPTIVE DEVICES</b>		<b>each</b>
<b>Fertility (Ovulation) Thermometer</b>		183
A mercury-in-glass thermometer, conforming to BS691-1987 and BS 6834 - 1991. To be supplied in a re-usable screw capped plastics protective case. <i>NB: TEMPERATURE CHARTS (Form FP 1004) and advice on their use are given by the prescribing doctor; they are also available from pharmacists.</i>		
<b>Intrauterine Contraceptive Device</b>		
<i>Flexi-T 300</i>		895
<i>Flexi-T+380</i>		1006
<i>GyneFixIN</i> implant and insertion system.		2519
<i>GyneFixPT</i> implant and insertion system.		2519
<i>Load 375</i>		800



---

**APPLIANCES**


---

Appliance	Size or Weight	Basic Price p
<i>Gyne-T380S</i>		993
● <i>Multiload CU</i>		713
● <i>Multiload CU 250/Short</i>		713
<i>Multiload CU 375</i>		924
<i>Multi-Safe 375</i>		832
<i>Neo-Safe T380</i>		1237
<i>Nova - T</i>		1045
<i>Nova-T 380</i>		1350
<i>T-Safe 380A</i>		973
<i>TT380 Slimline</i>		1170
<i>UT380 Short</i>		1053
<i>UT380 Standard</i>		1053
The type of device and the size (where more than one is listed above) must be specified by the prescriber.		
● These products are no longer available from the manufacturer but will remain reimbursable until such time that stocks run out or the product expiry dates are passed.		
<b>Vaginal Contraceptive Caps (Pessaries)</b>		
1. Rubber		
Specification 8		
Type A ( <i>Dumas</i> Vault Cap) Translucent rubber pessary (plus postage 65p)	Numbers 1 - 5	661
Type B ( <i>Prentif</i> Cavity Rim Cervical Cap) Opaque rubber pessary (plus postage 65p)	22, 25, 28, 31mm	781
Type C ( <i>Vimule</i> Cap) Translucent rubber pessary (plus postage 65p)	Numbers 1 - 3	661
The size of the pessary and the type must be specified by the prescriber.		
2. Silicone		
CE Marked		
<i>FemCap</i> Soft Silicone Cap	22, 26, 30mm	1475
<b>Vaginal Contraceptive Diaphragm</b>		
Complies with British Standard 4028:1989		
<i>Reflexions</i> Flat Spring Diaphragm	55-95mm (rising in 5 mm)	578
Type B (BS 4028, Type 1)	60-100 mm (rising in 5 mm)	635
Diaphragm with a coil spring. Type C (BS 4028, Type 3)	60-95 mm (rising in 5 mm)	723
Diaphragm with an arcing spring (flat and coiled steel combination spring). The size of the diaphragm, and the type must be specified by the prescriber.		
<b>COTTON WOOLS</b> - See Absorbent Cottons		
<b>DOUCHES</b>		
<b>With Rectal and Vaginal fittings</b>		
Plastic Douche - Rigid plastics container, with 2m approx. flexible plastics tubing, a tap and vulcanite or rigid plastics rectal pipe and plastics vaginal pipe.	1 litre approx	603
Spare Plastics Tubing	2m approx.	98
Where type not specified by the prescriber, plastics tubing to be supplied		

IXA

---

**APPLIANCES**


---

Appliance	Size or Weight	Basic Price p
-----------	----------------	---------------

**DRESSINGS**

*Note for all dressings: The exact number of pieces, ordered by the prescriber is to be dispensed.*

**Absorbent Dressing Pads, Sterile**

<i>Drisorb Dressing Pad</i>	10cm x 20cm	<b>each</b> 17
-----------------------------	-------------	-------------------

**Absorbent Cellulose Dressing with Fluid Repellent Backing**

CE

Indications: Primary or secondary dressing for medium to heavily exuding wounds.

<i>Eclipse</i>	15cm x 15cm	95
	20cm x 30cm	210
<i>Exu-Dry</i>	10cm x 15cm	97
	15cm x 23cm	199
	23cm x 38cm	462
<i>Mesorb</i>	10cm x 10cm	56
	10cm x 15cm	72
	10cm x 20cm	89
	15cm x 20cm	127
	20cm x 25cm	200
	20cm x 30cm	227
<i>Telfa Max</i>	15cm x 22.8cm	196
	22.8cm x 38cm	453
	38cm x 45.7cm	550
	38cm x 60.9cm	800

Packed in outer container not exceeding 10 units.

**Absorbent, Perforated Plastic Film Faced, Dressing**

Specification 9 and/or BP, CE

<i>Interpose</i>	5cm x 5cm	9
	10cm x 10cm	15
	10cm x 20cm	32
<i>Melolin</i>	5cm x 5cm	15
	10cm x 10cm	24
	20cm x 10cm	46
<i>Release</i>	5cm x 5cm	14
	10cm x 10cm	22
	20cm x 10cm	42
<i>Skintact</i>	5cm x 5cm	10
	10cm x 10cm	17
	20cm x 10cm	34
<i>Solvaline N</i>	5cm x 5cm	9
	10cm x 10cm	16
	10cm x 20cm	32
<i>Telfa (Non adherent dressing pad)</i>	7.5cm x 5cm	12
	10cm x 7.5cm	15
	15cm x 7.5cm	17
	20cm x 7.5cm	28

Where not specified by the prescriber, the 5cm size to be supplied.

Where the brand is not specified by the prescriber, for the sizes listed below, the Basic Price must not exceed:

5cm x 5cm	9
10cm x 10cm	15
20cm x 10cm	32

## APPLIANCES

Appliance	Size or Weight	Basic Price p
<b>DRESSINGS</b>		
<b>Absorbent, Perforated Dressing with Adhesive Border</b>		
BP and/or CE		
<i>Cosmopor E</i>		
5cm x 7.2cm	(wound contact pad 2.7cm x 4cm + border 1.15 - 1.6cm)	7
6cm x 10cm	(wound contact pad 2.7cm x 6.5cm + border 1.65 - 1.75cm)	13
8cm x 10cm	(wound contact pad 4cm x 6.5cm + border 1.75 - 2.0cm)	16
6cm x 15cm	(wound contact pad 2.7cm x 11cm + border 1.65cm - 2.0cm)	18
8cm x 15cm	(wound contact pad 4cm x 11cm + border 2.0cm)	25
8cm x 20cm	(wound contact pad 4cm x 16cm + border 2.0cm)	33
10cm x 20cm	(wound contact pad 5.5cm x 16cm + border 2.0cm - 2.25cm)	40
10cm x 25cm	(wound contact pad 5.5cm x 20cm + border 2.25cm - 2.5cm)	50
10cm x 35cm	(wound contact pad 5.5cm x 30cm + border 2.25cm - 2.5cm)	69
<i>Medipore + Pads</i>		
5cm x 7.2cm	(wound contact pad 2.8cm x 3.8cm + border 1 - 2 cm)	7
10cm x 10cm	(wound contact pad 5cm x 5.5cm + border 2 - 2.5cm)	15
10cm x 15cm	(wound contact pad 5cm x 10.5cm + border 2 - 2.5cm)	23
10cm x 20cm	(wound contact pad 5cm x 15.5cm + border 2 - 2.5cm)	36
10cm x 25cm	(wound contact pad 5cm x 20.5cm + border 2 - 2.5cm)	44
10cm x 35cm	(wound contact pad 5cm x 30.4cm + border 2 - 2.5cm)	61
<i>Medisafe</i>		
6cm x 8cm	(wound contact pad 3cm x 5cm + border 1.5cm)	8
8cm x 10cm	(wound contact pad 4cm x 6cm + border 2cm)	13
8cm x 12cm	(wound contact pad 4cm x 8cm + border 2cm)	23
9cm x 15cm	(wound contact pad 4cm x 10cm + border 2.5cm)	29
9cm x 20cm	(wound contact pad 4cm x 14cm + border 2.5 - 3cm)	34
9cm x 25cm	(wound contact pad 4cm x 19cm + border 2.5 - 3cm)	36
<i>Mepore</i>		
7cm x 8cm	(wound contact pad 4cm x 5cm + border 1.5cm)	10 △
10cm x 11cm	(wound contact pad 6cm x 6cm + border 2cm - 2.5cm)	19
11cm x 15cm	(wound contact pad 6cm x 10cm + border 2.5cm)	32
9cm x 20cm	(wound contact pad 5cm x 15cm + border 2.0 - 2.5cm)	40
9cm x 25cm	(wound contact pad 5cm x 20cm + border 2.0 - 2.5cm)	54
9cm x 30cm	(wound contact pad 5cm x 25cm + border 2.0 - 2.5cm)	62
9cm x 35cm	(wound contact pad 5cm x 30cm + border 2.0 - 2.5cm)	68
<i>Primapore</i>		
6cm x 8.3cm	(wound contact pad 3.4cm x 5.7cm + border 1.3cm)	16
8cm x 10cm	(wound contact pad 4.5cm x 5cm + border 1.75 - 2.5cm)	17
8cm x 15cm	(wound contact pad 4.5cm x 10cm + border 1.75 - 2.5cm)	29
10cm x 20cm	(wound contact pad 5cm x 14cm + border 2.5 - 3cm)	38
10cm x 25cm	(wound contact pad 5cm x 18cm + border 2.5 - 3.5cm)	43
10cm x 30cm	(wound contact pad 5cm x 23cm + border 2.5 - 3.5cm)	54
10cm x 35cm	(wound contact pad 5.1cm x 28cm + border 2.45-3.5cm)	85
<i>Softpore</i>		
6cm x 7cm	(wound contact pad 3cm x 4cm + border 1.5cm)	6
10cm x 10cm	(wound contact pad 5cm x 6cm + border 2-2.5cm)	13
10cm x 15cm	(wound contact pad 5cm x 10cm + border 2.5cm)	20
10cm x 20cm	(wound contact pad 5cm x 15cm + border 2.5cm)	35
10cm x 25cm	(wound contact pad 5cm x 20cm + border 2.5cm)	40
10cm x 30cm	(wound contact pad 5cm x 25cm + border 2.5cm)	49
10cm x 35cm	(wound contact pad 5cm x 30cm + border 2.5cm)	58
<i>Sterifix (with two adhesive strips)</i>		
5cm x 7cm	(wound contact pad 5cm x 5cm + border 1.0cm)	18
7cm x 10cm	(wound contact pad 5cm x 10cm + border 1.0cm)	29
10cm x 14cm	(wound contact pad 8cm x 14cm + border 1.0cm)	52
<i>Telfa Island (Non adherent dressing pad)</i>		
5cm x 10cm	(wound contact pad 3.3cm x 4.8cm + border 0.85-2.6cm)	8
10cm x 12.5cm	(wound contact pad 5cm x 8.5cm + border 2.0-2.5cm)	26
10cm x 20cm	(wound contact pad 5cm x 15cm + border 2.5cm)	34
10cm x 25.5cm	(wound contact pad 5cm x 20cm + border 2.5-2.75cm)	43
10cm x 35cm	(wound contact pad 5cm x 30cm + border 2.5cm)	60

IXA

## APPLIANCES

Appliance	Size or Weight	Basic Price p
<b>DRESSINGS</b>		
<b>Boil Dressing Pack</b>	38 mm x 38 mm	75
The pack comprises: Two boil dressings (Each complies with BP requirements for an Elastic Adhesive Dressing - Wound Dressing. There is a 2.5 mm hole punched through the centre of the dressing. The pad may be impregnated with a BP permitted antiseptic).		
One Elastic Adhesive Dressing BP - Wound Dressing (The dressing is impregnated with a BP permitted antiseptic).	38 mm x 38 mm	
<b>Gauze Dressings (Impregnated)</b>		<b>per pack</b>
<b>Activon Tulle</b> (Impregnated with manuka honey)		
Sterile one-piece pack containing a single piece of impregnated gauze	5cm x 5cm 10cm x 10cm	175 295
<i>Note: The exact number of pieces (ie packs) ordered by the prescriber are to be dispensed. Where not specified by the prescriber, the 5cm size to be supplied.</i>		
<b>Chlorhexidine Gauze Dressing BP</b> (Syn: Chlorhexidine Tulle Gras)	5cm x 5cm 10cm x 10cm	25 53
<i>Where not specified by the prescriber, the 5cm size to be supplied.</i>		
<b>Paraffin Gauze Dressing BP Sterile</b> (Syn: Tulle Gras)		
Light Loading - 90-130g/m <sup>2</sup> <i>Paranet</i>	10cm x 10cm	25
Normal Loading - 175-220g/m <sup>2</sup> <i>Jelonet</i> <i>Neotulle</i>	10cm x 10cm 10cm x 10cm	35 29
<b>Povidone Iodine "Gauze" Dressing - see Povidone Iodine Fabric Dressing</b>		
<b>Knitted Polyester Primary Dressing Impregnated with Neutral Triglycerides</b>		
<i>Atrauman</i>	5cm x 5cm 7.5cm x 10cm 10cm x 20cm	24 25 56
<b>Knitted Viscose Primary Dressing BP Type 1</b> (Sterile Knitted Viscose Dressing)		
<i>N-A Dressing</i>	9.5cm x 9.5cm 19cm x 9.5cm	33 63
<i>N-A Ultra</i>	9.5cm x 9.5cm 19cm x 9.5cm	32 60
<i>Paratex</i>	* 9.5cm x 9.5cm	26
<i>Setoprime</i>	* 9.5cm x 9.5cm	28
<i>Tricotex</i>	9.5cm x 9.5cm	29
* <b>See also Multi-layer Compression Bandaging</b>		
<b>Multiple Pack Dressing No. 1</b>		371
Carton containing:		
Absorbent Cotton BP 1988 (interleaved)	25g	
Absorbent Cotton Gauze. Type 13 Light BP, sterile	90 cm x 1 m	
Open-Wove Bandages BP 1988 (banded)	3 x 5 cm x 5 m	

---

**APPLIANCES**


---

Appliance	Size or Weight	Basic Price p
<b>DRESSINGS</b>		
<b>Perforated Film Absorbent Dressing BP</b> - See Absorbent, Perforated Plastic Film Faced, Dressing (P.F.A. Dressing).		
<b>Povidone-Iodine Fabric Dressing, Sterile</b>		
Specification 43		
<i>Inadine</i>	5cm x 5cm	30
	9.5cm x 9.5cm	45
<i>Where not specified by the prescriber, the 5cm size is to be supplied.</i>		
<b>Standard Dressings</b>		
<b>No. 4 Medium Elastic Adhesive Wound Dressing BPC 1963</b>		
	packet of 3	62
<b>No. 16 Eye Pad with Bandage BPC, sterile</b>		
		59
<b>STERILE DRESSING PACKS</b> <i>The exact number of pieces, ordered by the prescriber is to be dispensed.</i>		
<b>Drug Tariff Specification Sterile Dressing Packs</b>		
<b>Sterile Dressing Pack</b> Specification 10		79
Sterile Pack containing:		
Gauze and Cotton Tissue Pad	8.5cm x 20cm	
Gauze Swabs 12 ply	4 x 10 x 10cm	
Absorbent Cotton Balls, large	4 x 0.9g approx	
Absorbent Paper Towel	45cm x 50cm	
Water Repellent Inner Wrapper opens out as a sterile working field	50cm x 50cm	
<b>Sterile Dressing Pack with Non-Woven Pads</b> Specification 35		78
Sterile Pack containing:		
Non-woven Fabric Covered Dressing Pad	10cm x 20cm	
Non-woven Fabric Swabs	4 x 10cm x 10cm	
4 Absorbent Cotton Wool Balls		
Absorbent Paper Towel	50cm x 45cm	
Water Repellent Inner Wrapper opens out as a sterile working field	50cm x 50cm	
<b>CE marked Sterile Dressing Packs</b>		
<i>Dress-it</i>		60
Sterile Pack containing:		
1 Paper Towel	45cm x 50cm	
1 Disposable bag	26cm x 36cm	
4 Softswabs 12 ply	10cm x 10cm	
1 Dressing Pad	10cm x 20cm	
1 Softdrape	50cm x 50cm	

IXA

## APPLIANCES

Appliance	Size or Weight	Basic Price p
<b>DRESSINGS</b>		
<b>Vapour-permeable Adhesive Film Dressing</b>		
(Syn: Semipermeable Adhesive Dressing)		
<i>ActivHeal</i>	6cm x 7cm	31
	10cm x 12.7cm	73
	15cm x 17.8cm	178
<i>Biocclusive Blisterfilm</i>	10.2cm x 12.7cm	145
	5cm x 8cm	40
	9cm x 10cm	70
	10cm x 13cm	90
	14cm x 15cm	123
<i>Central Gard</i> (Intravenous/Sub-Cutaneous Therapy)	16cm x 7cm central line	90
	16cm x 8.8cm central line	99
<i>C-View</i>	6cm x 7cm	37
	10cm x 12cm	104
	12cm x 12cm	118
	15cm x 20cm	238
<i>Hydrofilm</i>	6cm x 9cm	50
	10cm x 15cm	132
	12cm x 25cm	237
<i>IV3000</i> (Intravenous/Sub-Cutaneous Therapy)	6cm x 7cm Non-winged peripheral	48
	7cm x 9cm Ported peripheral	63
	10cm x 12cm Central line	121
<i>Mefilm</i>	6cm x 7cm	41
	10cm x 12cm	110
	10cm x 25cm	215
	15cm x 20cm	272
<i>Niko Fix IV</i> (Ported and non ported peripheral)	7cm x 8.5cm	37
<i>OpSite Flexifix</i> (non sterile)	5cm x 1m	345
	10cm x 1m	582
<i>OpSite Flexigrid</i>	6cm x 7cm	35 △
	12cm x 12cm	98
	15cm x 20cm	252 △
<i>Pharmapore-PU.-I.V</i>	6cm x 7cm ported cannula	8
	7cm x 9cm one hand application	17
	8.5cm x 7cm for cannula	7
<i>Polyskin II</i>	4cm x 4cm	35
	5cm x 7cm	38
	10cm x 12cm	99
	10cm x 20cm	196
	15cm x 20cm	226
	20cm x 25cm	395
<i>Polyskin MR</i>	5cm x 7cm	40
	10cm x 12cm	108
	15cm x 20cm	253
<i>ProtectFilm</i>	6cm x 7cm	11
	10cm x 12cm	20
	15cm x 20cm	40
<i>Suprasorb F</i>	5cm x 7cm	30
	10cm x 12cm	72
	15cm x 20cm	225
<i>Tegaderm</i>	6cm x 7cm	38
	12cm x 12cm	123
	15cm x 20cm	234
<i>Tegaderm IV</i> with securing tapes (Intravenous/Sub-cutaneous Therapy)	7cm x 8.5cm peripheral line	57
	8.5cm x 10.5cm central line	111
	10cm x 15.5cm PICC line	160
<i>Vacuskin</i>	6cm x 7cm	40
	10cm x 12cm	106
	10cm x 25cm	206
	15cm x 20cm	219

## APPLIANCES

Appliance	Size or Weight	Basic Price p
<b>DRESSINGS</b>		
<b>Vapour-permeable Adhesive Film Dressing - with absorbent pad</b>		
(Syn: Semipermeable Adhesive Dressing)		
<i>Alldress</i>	10cm x 10cm	83
	15cm x 15cm	182
	15cm x 20cm	225
<i>Mepore Ultra</i>	6cm x 7cm	27
	9cm x 10cm	59
	9cm x 15cm	89
	9cm x 20cm	134
	9cm x 25cm	148
	9cm x 30cm	244
<i>OpSite Plus</i>		
5cm x 5cm	(wound contact pad 2.5cm x 2.5cm + border 1.25cm)	28
8.5cm x 9.5cm	(wound contact pad 3.7cm x 7.3cm + border 2.4cm - 1.1cm)	78
10cm x 12cm	(wound contact pad 5cm x 7.5cm + border 2.5cm - 2.25cm)	106
10cm x 20cm	(wound contact pad 5.5cm x 15cm + border 2.25cm - 2.5cm)	178
10cm x 35cm	(wound contact pad 5.7cm x 30cm + border 2.15cm - 2.5cm)	295
<i>Pharmapore-PU</i>	8.5cm x 15.5cm	20
	10cm x 25cm	38
	10cm x 30cm	58
<i>Tegaderm +Pad</i>		
5cm x 7cm	(wound contact pad 2.5cm x 4cm + border 1.25cm - 1.5cm)	24
9cm x 10cm	(wound contact pad 4.5cm x 6cm + border 2.25cm - 2cm)	60
9cm x 15cm	(wound contact pad 4.5cm x 10cm + border 2.25cm - 2.5cm)	88
9cm x 20cm	(wound contact pad 4.5cm x 15cm + border 2.25cm - 2.5cm)	129
9cm x 25cm	(wound contact pad 4.5cm x 20cm + border 2.25cm - 2.5cm)	145
9cm x 35cm	(wound contact pad 4.5cm x 30cm + border 2.25cm - 2.5cm)	245
<b>Vapour-permeable Waterproof Plastic Wound Dressing BP, Sterile</b>		
(Syn: Semipermeable Waterproof Plastic Wound Dressing)	8.5cm x 6cm	34
<b>WOUND MANAGEMENT DRESSINGS</b>		
<b>Note for all wound management dressings: The exact number of pieces, ordered by the prescriber is to be dispensed.</b>		
<b>Activated Charcoal Absorbent Dressing</b>		
<i>Carboflex</i>	10cm x 10cm	279
	8cm x 15cm (Oval)	334
	15cm x 20cm	634
<i>Lyofom C</i>	10cm x 10cm	274
	15cm x 20cm	623
<i>Sorbsan Plus Carbon</i>	7.5cm x 10cm	232
	10cm x 15cm	452
	10cm x 20cm	540
	15cm x 20cm	622
<b>Activated Charcoal Non-Absorbent Dressing</b>		
<i>Carbopad VC</i>	10cm x 10cm	159
	10cm x 20cm	215
<i>CliniSorb</i>	10cm x 10cm	168
	10cm x 20cm	224
	15cm x 25cm	361
<i>Legius</i>	10cm x 10cm	160
	10cm x 20cm	218
	15cm x 25cm	350
<b>Activated Charcoal Cloth with Silver</b>		
<i>Actisorb Silver 220</i>	6.5cm x 9.5cm	155
	10.5cm x 10.5cm	244
	10.5cm x 19cm	443

IXA

## APPLIANCES

Appliance	Size or Weight	Basic Price
<b>DRESSINGS</b>		
<b>WOUND MANAGEMENT DRESSINGS</b>		
<b>each</b>		
<b>Alginate Dressing - Sterile,</b>		
BP and/or CE		
Indications: Medium to heavily exuding wounds.		
Precautions: Not the dressing of choice for infected wounds; not suitable for those which are very dry or covered with hard necrotic tissue.		
<i>ActivHeal</i>	5cm x 5cm	57
	10cm x 10cm	111
	10cm x 20cm	273
<i>Algisite M</i>	5cm x 5cm	82
	10cm x 10cm	169
	15cm x 20cm	453
<i>Algivon</i>	5cm x 5cm	205
	10cm x 10cm	346
<i>Algosteril</i>	5cm x 5cm	81
	10cm x 10cm	185
	10cm x 20cm	313
<i>Curasorb</i>	5cm x 5cm	69
	10cm x 10cm	146
	10cm x 14cm	236
	10cm x 20cm	287
	15cm x 25cm	505
	30cm x 61cm	2650
<i>Curasorb Plus</i>	10cm x 10cm	200
<i>Curasorb Zn</i>	5cm x 5cm	78
	10cm x 10cm	165
	10cm x 20cm	324
<i>Kaltostat</i>	5cm x 5cm	83
	7.5cm x 12cm	180
	10cm x 20cm	356
	15cm x 25cm	612
<i>Melgisorb</i>	5cm x 5cm	80
	10cm x 10cm	168
	10cm x 20cm	315
<i>Sorbalgon</i>	5cm x 5cm	73
	10cm x 10cm	152
<i>Sorbsan</i>	5cm x 5cm	75
	10cm x 10cm	158
	10cm x 20cm	296
<i>Suprasorb A</i>	5cm x 5cm	56
	10cm x 10cm	110
<i>Tegagen</i>	5cm x 5cm	76
	10cm x 10cm	161
<i>Trionic</i>	5cm x 10cm	119
	10cm x 15cm	268
	10cm x 20cm	332
<b>Alginate Dressing with Absorbent Backing - Sterile</b>		
<i>Sorbsan Plus</i>	7.5cm x 10cm	160
	10cm x 15cm	282
	10cm x 20cm	360
	15cm x 20cm	500
<i>Sorbsan Plus SA (with adhesive border)</i>		
11.5cm x 14cm	(wound contact pad 10cm x 7.5cm + border 2cm)	278
14cm x 19cm	(wound contact pad 10cm x 15cm + border 2cm)	406
14cm x 24cm	(wound contact pad 10cm x 20cm + border 2cm)	490
19cm x 24cm	(wound contact pad 15cm x 20cm + border 2cm)	616



## APPLIANCES

Appliance	Size or Weight	Basic Price p
<b>DRESSINGS</b>		
<b>WOUND MANAGEMENT DRESSINGS</b>		
<b>Alginate containing Hydrocolloid Dressing - Sterile</b>		
BP and/or CE		
Indications: Medium to heavily exuding wounds.		
<i>SeaSorb Soft</i>	5cm x 5cm	85
	10cm x 10cm	202
	15cm x 15cm	383
<i>Urgosorb Pad</i>	5cm x 5cm	78
	10cm x 10cm	186
	10cm x 20cm	341
<b>Capillary Action Absorbent Wound Dressing</b>		
Indications: Low to heavily exuding wounds.		
Precautions: Avoid any arterial bleeds or very vascular wounds eg fungating wounds		
<i>Advadraw</i>	5cm x 7.5cm	55
	10cm x 10cm	85
	10cm x 15cm	115
<i>Advadraw Spiral</i>	0.5cm x 40cm	79
<i>Sumar Lite</i>	10cm x 10cm	159
	10cm x 15cm	212
<i>Sumar Max</i>	10cm x 10cm	161
	10cm x 15cm	215
<i>Vacutex</i>	5cm x 5cm	94
	10cm x 10cm	166
	10cm x 15cm	223
	10cm x 20cm	268
	15cm x 20cm	314
	20cm x 20cm	428
<b>Cavity Dressing</b>		
Indications: Medium/heavily exuding cavity wounds		
<i>Acticoat Absorbent</i>	2cm x 30cm	1140
<i>ActivHeal</i>	2cm x 30cm	205
<i>Algisite M-Rope</i>	2cm x 30cm	300
<i>Algosteril Rope</i>	30cm/2g	334 △
<i>Allevyn Cavity</i>	circular	5cm diameter
	tubular	10cm diameter
		9cm x 2.5cm
		12cm x 4cm
		5cm x 6cm
		10cm x 10cm
		15cm x 20cm
<i>Aquacel Ribbon</i>	2cm x 45cm	245
<i>Aquacel Ag Ribbon</i>	2cm x 45cm	409
<i>Contreet Foam Filler</i>	5cm x 8cm	358
<i>Curasorb Rope</i>	30cm	278
	61cm	488
	91cm	525
<i>Curasorb Zn Rope</i>	30cm	311
<i>Kaltostat</i>	2g	334
<i>Melgisorb Cavity</i>	2.2cm x 32cm	311
<i>PermaFoam Cavity</i>	10cm x 10cm	180
<i>SeaSorb Soft Filler</i>	44cm	238
<i>Sorbalgon T</i>	30cm/2g	311
<i>Sorbsan Packing</i>	2g	328
<i>Sorbsan Ribbon (with probe)</i>	40cm	191
<i>Suprasorb A</i>	30cm/2g	204
<i>Tegagen</i>	2cm x 30cm	268
<i>Tielle Packing</i>	9.5cm x 9.5cm	200
<i>Trionic Rope</i>	2cm x 30cm	360
<i>Urgosorb Rope</i>	30cm	248
<b>Collagen Dressing</b>		
<i>Catrix</i>	1g sachet	380
<b>Conforming Foam Cavity Wound Dressing</b>		
<i>Cavi-Care</i>	20g	1713

IXA

## APPLIANCES

Appliance	Size or Weight	Basic Price p each
<b>DRESSINGS</b>		
<b>WOUND MANAGEMENT DRESSINGS</b>		
<b>Honey Based Topical Application</b>		
<i>Activon Medical Grade Manuka Honey</i>	25g	195
<i>Medihoney Antibacterial Medical Honey</i>	20g	396
<i>Medihoney Antibacterial Wound Gel</i>	10g	269
<i>Mesitran Ointment</i>	20g	402
	15g	334
	50g	918
<i>Mesitran Ointment S</i>	15g	333
<b>Hydrocolloid Dressing - Semi-permeable - Sterile - With Adhesive Border</b>		
BP and/or CE		
Indications: Light to medium exudating wounds.		
Precautions: Not suitable for infected wounds. Heavy exudate leads to too frequent changes of dressing.		
Dressing should seal round the borders of a wound.		
<b>Sterile one-piece pack:</b>		
<i>Comfeel Plus Contour Dressing</i>		
These dressings are contoured to facilitate application to difficult areas, such as elbows and heels.		
6cm x 8cm	(wound contact pad 6cm x 8cm + irregular border)	196
9cm x 11cm	(wound contact pad 9cm x 11cm + irregular border)	340
<i>Comfeel Plus Pressure Relieving Dressing</i>		
Circular		
7cm diameter	(wound contact pad 7cm diameter + irregular border)	306
10cm diameter	(wound contact pad 10cm diameter + irregular border)	410
15cm diameter	(wound contact pad 15cm diameter + irregular border)	617
<i>Granuflex Bordered</i>		
Square		
6cm x 6cm	(wound contact pad 6cm x 6cm + border 2cm)	153
10cm x 10cm	(wound contact pad 10cm x 10cm + border 2.0 - 2.5cm)	288
15cm x 15cm	(wound contact pad 15cm x 15cm + border 2.5cm)	555
Triangular		
10cm x 13cm	(wound contact pad 10cm x 13cm + border 2.0 - 2.5cm)	340
15cm x 18cm	(wound contact pad 15cm x 18cm + border 2.0 - 2.5cm)	530
<i>Hydrocoll Border (Bevelled Edge)</i>		
Square		
5cm x 5cm	(wound contact pad 3.5cm x 3.5cm + border 0.75cm)	90
7.5cm x 7.5cm	(wound contact pad 4.5cm x 4.5cm + border 1.5cm)	148
10cm x 10cm	(wound contact pad 7.75cm x 7.75cm + border 1.25cm)	215
15cm x 15cm	(wound contact pad 12.5cm x 12.5cm + border 1.5cm)	405
Concave		
These dressings are contoured to facilitate application to difficult areas such as elbows and heels.		
8cm x 12cm	(wound contact pad 9.3cm x 4.7cm + irregular border)	190
Sacral (previously measured as 15cm x 18cm)		
12cm x 18cm	(wound contact pad 14cm x 11cm + irregular border)	322
<i>Suprasorb H</i>		
Square		
14cm x 14cm	(wound contact pad 10cm x 10cm + border 2cm)	223
<i>Tegasorb</i>		
Oval		
10cm x 12cm	(wound contact pad 7cm x 9cm + border 1.5cm)	224
13cm x 15cm	(wound contact pad 10cm x 12cm + border 1.5cm)	419
Sacral		
17.1cm x 16.1cm	(wound contact pad 13.9cm x 12.3cm + irregular border)	459
<i>Ultec Pro</i>		
Square		
10.5cm x 10.5cm	(wound contact pad 6.4cm x 6.4cm + 2.05cm border)	139
14cm x 14cm	(wound contact pad 10.5cm x 10.5cm + 1.75cm border)	224
21cm x 21cm	(wound contact pad 15.2cm x 15.2cm + 2.9cm border)	449
Sacral		
15cm x 18cm	(wound contact pad 10cm x 12.5cm + irregular border)	317
19.5cm x 23cm	(wound contact pad 15cm x 17.5cm + irregular border)	488

## APPLIANCES

Appliance	Size or Weight	Basic Price p
<b>DRESSINGS</b>		
<b>WOUND MANAGEMENT DRESSINGS</b>		
<b>Hydrocolloid Dressing - Semi-permeable - Sterile - Without Adhesive Border</b>		
<i>ActivHeal</i>		
<u>Square</u>	10cm x 10cm	152
	15cm x 15cm	331
<u>Sacral</u>	15cm x 18cm	384
<u>Rectangular</u>	5cm x 7.5cm	75
<i>Comfeel Plus Ulcer Dressing (Bevelled Edge)</i>		
<u>Square</u>	10cm x 10cm	216
	15cm x 15cm	464
	20cm x 20cm	668
<u>Rectangular</u>	4cm x 6cm	85
<u>Triangular</u>	18cm x 20cm	496
<i>DuoDERM Signal</i>		
<u>Square</u>	10cm x 10cm	186
	14cm x 14cm	325
	20cm x 20cm	647
<u>Heel</u>	18.5cm x 19.5cm	455
<u>Sacral</u>	22.5cm x 20cm	532
<u>Oval</u>	11cm x 19cm	282
<i>Flexigran</i>		
<u>Square</u>	10cm x 10cm	219
<i>Granuflex (modified)</i>		
<u>Square</u>	10cm x 10cm	242
	15cm x 15cm	459
	20cm x 20cm	691
<u>Rectangular</u>	15cm x 20cm	497
<i>Hydrocoll Basic</i>		
<u>Square</u>	10cm x 10cm	219
<i>NU-DERM</i>		
<u>Square</u>	5cm x 5cm	80
	10cm x 10cm	150
	15cm x 15cm	300
	20cm x 20cm	600
<u>Heel/Elbow</u>	8cm x 12cm	300
<u>Sacral</u>	15cm x 18cm	420
<i>Replicare Ultra</i>		
<u>Square</u>	10cm x 10cm	229
	15cm x 15cm	456
	20cm x 20cm	673
<u>Anatomically Shaped Sacral Dressing</u>	15cm x 18cm	432
<i>Suprasorb H</i>		
<u>Square</u>	10cm x 10cm	151
	15cm x 15cm	330
<i>Tegasorb</i>		
<u>Square</u>	10cm x 10cm	229
	15cm x 15cm	442
<i>Ultec Pro</i>		
<u>Square</u>	10cm x 10cm	219
	15cm x 15cm	427
	20cm x 20cm	643

IXA

---

**APPLIANCES**


---

Appliance	Size or Weight	Basic Price p
<b>DRESSINGS</b>		
<b>each</b>		
<b>WOUND MANAGEMENT DRESSINGS</b>		
<b>Hydrocolloid Dressing, Thin - Semi-permeable - Sterile</b>		
BP and/or CE		
<b>With Adhesive Border</b>		
<i>Tegasorb Thin</i>		
<u>Oval</u>		
10cm x 12cm	(wound contact pad 7cm x 9cm + border 1.5cm)	149
13cm x 15cm	(wound contact pad 10cm x 12cm + border 1.5cm)	279
<b>Without Adhesive Border</b>		
<i>Askina Biofilm Transparent</i>		
<u>Square</u>		
	10cm x 10cm	102
	15cm x 15cm	231
	20cm x 20cm	302
<i>Comfeel Plus Transparent Dressing</i>		
<u>Square</u>		
	10cm x 10cm	111
	15cm x 15cm	289
	20cm x 20cm	295
<u>Rectangular</u>		
	5cm x 7 cm	58
	5cm x 15cm	137
	5cm x 25cm	224
	9cm x 14cm	211
	9cm x 25cm	300
	15cm x 20cm	293
	17cm x 17cm	331
<u>Sacral</u>		
<i>DuoDERM Extra Thin</i>		
<u>Rectangular</u>		
	5cm x 10cm	67
	9cm x 15cm	154
	9cm x 25cm	246
	9cm x 35cm	344
<u>Square</u>		
	7.5cm x 7.5cm	69
	10cm x 10cm	114
	15cm x 15cm	246
<i>Flexigran Thin</i>		
<u>Square</u>		
	10cm x 10cm	108
<i>Hydrocoll Thin Film</i>		
<u>Square</u>		
	7.5cm x 7.5cm	62
	10cm x 10cm	103
	15cm x 15cm	232
<i>NU-DERM</i>		
<i>Suprasorb H</i>		
<u>Rectangular</u>		
	5cm x 10cm	65
<u>Square</u>		
	10cm x 10cm	99
	15cm x 15cm	226
<i>Tegasorb Thin</i>		
<u>Square</u>		
	10cm x 10cm	150

## APPLIANCES

Appliance	Size or Weight	Basic Price p
<b>DRESSINGS</b>		
<b>WOUND MANAGEMENT DRESSINGS</b>		
<b>Hydrocolloid Dressing - Semi-permeable - Sterile - Chronic and acute exudating wounds</b>		
BP and/or CE		
<b>With Adhesive Border</b>		
<i>Alione</i>		
<u>Square</u>		
10cm x 10cm	(wound contact pad 6cm x 6cm + border 2cm)	284
12.5cm x 12.5cm	(wound contact pad 8.5cm x 8.5cm + border 2cm)	391
15cm x 15cm	(wound contact pad 10cm x 10cm + border 2.5cm)	495
20cm x 20cm	(wound contact pad 14cm x 14cm + border 3cm)	726
<u>Rectangular</u>		
12cm x 20cm	(wound contact pad 8cm x 16cm + border 2cm)	504
<i>CombiDERM</i>		
<u>Square</u>		
10cm x 10cm	(wound contact pad 5cm x 5cm + border 2.5cm)	144
14cm x 14cm	(wound contact pad 7.5cm x 7.5cm + border 3.5cm)	200
20cm x 20cm	(wound contact pad 13cm x 13cm + border 3.5cm)	385
<u>Triangular</u>		
15cm x 18cm	(wound contact pad 8cm x 11cm + border 3cm)	346
20cm x 23cm	(wound contact pad 12cm x 15cm + border 4cm)	464
<i>Versiva</i>		
<u>Square</u>		
9cm x 9cm	(wound contact pad 5cm x 5cm + border 2cm)	230
14cm x 14cm	(wound contact pad 10cm x 10cm + border 2cm)	430
19cm x 19cm	(wound contact pad 15cm x 15cm + border 2cm)	668
<u>Rectangular</u>		
19cm x 24cm	(wound contact pad 15cm x 20cm + border 2cm)	807
<u>Sacral</u>		
19cm x 17.7cm	(wound contact pad 12cm x 13cm + irregular border)	569
21cm x 22.5cm	(wound contact pad 14cm x 15cm + irregular border)	807
<u>Heel</u>		
19.5cm x 18.5cm	(wound contact pad 11.5cm x 15.5cm + irregular border)	686
<u>Oval</u>		
11cm x 19cm	(wound contact pad 7cm x 15cm + border 2cm)	400
<b>With Non-Adhesive Border</b>		
<i>Alione</i>		
<u>Square</u>		
10cm x 10cm	(wound contact pad 6cm x 6cm + border 2cm)	284
12.5cm x 12.5cm	(wound contact pad 8.5cm x 8.5cm + border 2cm)	391
15cm x 15cm	(wound contact pad 10cm x 10cm + border 2.5cm)	495
20cm x 20cm	(wound contact pad 14cm x 14cm + border 3cm)	726
<u>Rectangular</u>		
12cm x 20cm	(wound contact pad 8cm x 16cm + border 2cm)	504
<i>CombiDERM-N</i>		
<u>Square</u>		
7.5cm x 7.5cm	(wound contact pad 5.5cm x 5.5cm + border 1cm)	113
14cm x 14cm	(wound contact pad 11cm x 11cm + border 1.5cm)	201
<u>Rectangular</u>		
15cm x 25cm	(wound contact pad 13cm x 23cm + border 1cm)	410

IXA

---

**APPLIANCES**


---

Appliance	Size or Weight	Basic Price p each
<b>DRESSINGS</b>		
<b>WOUND MANAGEMENT DRESSINGS</b>		
<b>Hydrocolloid Dressing - Fibrous - Sterile</b>		
BP and/or CE		
Indications: Medium to heavily exudating wounds.		
<b>Without Adhesive Border</b>		
<i>Aquacel</i> - See Protease Modulating Matrix - Sterile page 155		
<b>Hydrocolloid Dressing - Fibrous - Silver Impregnated - Sterile</b>		
<i>Aquacel Ag</i> - See Protease Modulating Matrix - Sterile page 156		
<i>Silvercel</i>	<u>Square</u>	5cm x 5cm 158
		11cm x 11cm 390
	<u>Rectangular</u>	2.5cm x 30.5cm 420
		10cm x 20cm 724
<b>Hydrocolloid Dressing - Silver Impregnated - Sterile</b>		
<b>Without Adhesive Border</b>		
<i>Contreet Hydrocolloid</i>	<u>Square</u>	10cm x 10cm 646
		15cm x 15cm 1292
<b>Hydrocolloid Paste</b>		
<i>Comfeel Paste</i>		50g 608
<b>Hydrogel Dressing - Sterile</b>		
Specification 50 and/or CE		
Indications: Dry "sloughy" or necrotic wounds; lightly exudating wounds; granulating wounds.		
<u>Precautions:</u> Not suitable for infected or heavily-exudating wounds. Care should be taken to choose the appropriate secondary dressing.		
<i>ActivHeal</i>		15g 136
<i>AquaForm Hydrogel</i>		8g 151
		15g 184
<i>Flexigran Gel</i>		15g 190
<i>Granugel Hydrocolloid Gel</i>		15g 201
<i>IntraSite Conformable</i>	10cm x 10cm	(7.5g) 156
	10cm x 20cm	(15g) 211
	10cm x 40cm	(30g) 377
<i>IntraSite Gel</i>		8g 159 △
		15g 213 △
		25g 316
<i>Nu-Gel</i>		15g 197
<i>Purilon Gel</i>		8g 152
		15g 202
<i>Suprasorb G</i>		6g 110
		20g 180

## APPLIANCES

Appliance		Size or Weight	Basic Price p each
<b>DRESSINGS</b>			
<b>WOUND MANAGEMENT DRESSINGS</b>			
<b>Hydrogel Sheet</b>			
<b>With Adhesive Border</b>			
<i>Curagel Island</i>	<u>Rectangular</u>	7.5cm x 10cm	247
	<u>Square</u>	12.5cm x 12.5cm	358
<i>Hydrosorb Comfort</i>	<u>Square</u>	12.5cm x 12.5cm	373
	<u>Rectangular</u>	4.5cm x 6.5cm	166
		7.5cm x 10cm	259
<b>Without Adhesive Border</b>			
<i>Mesitran Border</i>			
	<u>Square</u>		
10cm x 10cm		(wound contact pad 5.8cm x 5.8cm + border 2.1cm)	251
15cm x 15cm		(wound contact pad 10cm x 10cm + border 2.5cm)	444
<i>Sacral</i>			
15cm x 13cm		(wound contact pad 10cm x 8cm + border 2.5cm)	425
<i>ActiFormCool</i>			
	<u>Square</u>	10cm x 10cm	233
	<u>Rectangular</u>	5cm x 6.5cm	159
		10cm x 15cm	335
<i>Aquaflor</i>			
	<u>Discs</u>	3.8cm	241
		7.5cm	250
		12cm	516
<i>Coolie</i>			
	<u>Disc</u>	7cm Diameter	247
<i>Curagel</i>			
	<u>Rectangular</u>	5cm x 7.5cm	174
	<u>Square</u>	10cm x 10cm	271
<i>Gel FX</i>			
	<u>Square</u>	10cm x 10cm	160
		15cm x 15cm	320
<i>Geliperm</i>			
	<u>Rectangular</u>	10cm x 15cm	220
	<u>Square</u>	10cm x 10cm	223
<i>Hydrosorb</i>			
	<u>Square</u>	10cm x 10cm	284
		20cm x 20cm	684
		5cm x 7.5cm	180
<i>Mesitran</i>			
	<u>Square</u>	10cm x 10cm	241
	<u>Rectangular</u>	10cm x 17.5cm	435
		15cm x 20cm	502
<i>Mesitran Mesh</i>			
	<u>Square</u>	10cm x 10cm	232
<i>Novogel</i>			
	<u>Square</u>	10cm x 10cm	295
		30cm x 30cm (0.15cm thickness)	1180
		30cm x 30cm (0.30cm thickness)	1250
	<u>Rectangular</u>	5cm x 7.5cm	188
		15cm x 20cm	563
		20cm x 40cm	1073
<i>Suprasorb G</i>			
	<u>Circular</u>	7.5cm Diameter	268
	<u>Rectangular</u>	5cm x 7.5cm	173
	<u>Square</u>	10cm x 10cm	222
		20cm x 20cm	671
<i>Vacunet</i>			
	<u>Square</u>	10cm x 10cm	193
	<u>Rectangular</u>	10cm x 15cm	286
<b>Polyurethane Foam Dressing BP - Sterile</b>			
Indications: Light to medium exudating wounds.			
Precautions: Not recommended for dry superficial wounds. Dressings should be secured at the edge by adhesive tape. Dressing should not be covered by occlusive tape or film. Secondary absorbent dressing is not required.			
<i>Lyofom</i>			
		7.5cm x 7.5cm	98
		10cm x 10cm	114
		17.5cm x 10cm	181
		20cm x 15cm	245

IXA

## APPLIANCES

Appliance	Size or Weight	Basic Price p
<b>DRESSINGS</b>		
<b>each</b>		
<b>WOUND MANAGEMENT DRESSINGS</b>		
<b>Polyurethane Foam Film Dressing - Sterile - With Adhesive Border</b>		
<b>Light to medium exudating wounds</b>		
<i>Allevyn Lite Island</i>		
<u>Square</u>	13.5cm x 13.5cm (wound contact pad 7.5cm x 7.5cm + border 3cm)	227
	16cm x 16cm (wound contact pad 10cm x 10cm + border 3cm)	270
<u>Rectangular</u>	9.75cm x 16.5cm (wound contact pad 3.75cm x 10.5cm + border 3cm)	174
	13.5cm x 23.5cm (wound contact pad 7.5cm x 17.5cm + border 3cm)	348
<i>Lyofom Extra Adhesive</i>		
<u>Square</u>	9cm x 9cm (wound contact pad 5cm x 5cm + border 2cm)	122
	15cm x 15cm (wound contact pad 10cm x 10cm + border 2.5cm)	229
	22cm x 22cm (wound contact pad 15cm x 15cm + border 3.5cm)	452
<u>Sacral</u>	15cm x 13cm (wound contact pad 10cm x 8cm + border 2.5cm)	188
	22cm x 26cm (wound contact pad 15cm x 19cm + border 3.5cm)	356
<i>Suprasorb P</i>		
<u>Square</u>	7.5cm x 7.5cm (wound contact pad 4cm x 4cm + border 1.75cm)	116
	10cm x 10cm (wound contact pad 6.3cm x 6.3cm + border 1.85cm)	125
	15cm x 15cm (wound contact pad 10.3cm x 10.3cm + border 2.35cm)	224
<i>Tielle</i>		
<u>Square</u>	11cm x 11cm (wound contact pad 7cm x 7cm + border 2cm)	224
	15cm x 15cm (wound contact pad 11cm x 11cm + border 2cm)	366
	18cm x 18cm (wound contact pad 14cm x 14cm + border 2cm)	467
<u>Rectangular</u>	7cm x 9cm (wound contact pad 3cm x 5cm + border 2cm)	121
	15cm x 20cm (wound contact pad 11cm x 16cm + border 2cm)	459
<i>Tielle Sacrum</i>		
<u>Square</u>	18cm x 18cm (wound contact pad 12cm x 10cm + border 3 - 5cm)	339
<b>Polyurethane Foam Film Dressing - Sterile - Without Adhesive Border</b>		
<i>Allevyn Lite</i>		
<u>Square</u>	5cm x 5cm	100
	10cm x 10cm	181
<u>Rectangular</u>	10cm x 20cm	310
	15cm x 20cm	386
<i>Allevyn Thin (adhesive)</i>		
<u>Square</u>	10cm x 10cm	187
	15cm x 15cm	308
<u>Rectangular</u>	5cm x 6cm	92
	15cm x 20cm	373
<i>Flexipore (adhesive)</i>		
<u>Square</u>	10cm x 10cm	173
	20cm x 20cm	506
<u>Rectangular</u>	6cm x 7cm	93
	10cm x 30cm	360
	15cm x 20cm	370
<i>Lyofom Extra (non adhesive)</i>		
<u>Square</u>	10cm x 10cm	195
<u>Rectangular</u>	10cm x 17.5cm	329
	15cm x 20cm	427
<i>Suprasorb M</i>		
<u>Square</u>	10cm x 10cm	172
	20cm x 20cm	505
<u>Rectangular</u>	10cm x 20cm	303
<i>Suprasorb P</i>		
<u>Square</u>	5cm x 5cm	90
	7.5cm x 7.5cm	96
	10cm x 10cm	113
	15cm x 15cm	301
<i>Tielle Borderless</i>		
<u>Square</u>	11cm x 11cm	260
	15cm x 15cm	420
<i>Transorbent (adhesive)</i>		
<u>Square</u>	10cm x 10cm	182
	15cm x 15cm	334
	20cm x 20cm	533
<u>Rectangular</u>	5cm x 7cm	96



## APPLIANCES

Appliance	Size or Weight	Basic Price p each
<b>DRESSINGS</b>		
<b>WOUND MANAGEMENT DRESSINGS</b>		
<b>Polyurethane Foam Film Dressing - Sterile - With Adhesive Border</b>		
<b>Lightly to non-exuding wounds</b>		
<i>Tielle Lite</i>		
<u>Square</u>	11cm x 11cm (wound contact pad 7cm x 7cm + border 2cm)	215
<u>Rectangular</u>	7cm x 9cm (wound contact pad 3cm x 5cm + border 2cm)	114
	8cm x 15cm (wound contact pad 4cm x 11cm + border 2cm)	265
	8cm x 20cm (wound contact pad 4cm x 16cm + border 2cm)	280
<b>Polyurethane Foam Film Dressing - Sterile - With Adhesive Border</b>		
<b>Moderate to heavily exuding wounds</b>		
<i>3M Foam Adhesive Dressing</i>		
<u>Square</u>	14cm x 14cm (wound contact pad 10cm x 10cm + border 2cm)	337
<u>Oval</u>	10cm x 11cm (wound contact pad 6cm x 7.6cm + border 1.7-2cm)	228
	14cm x 15cm (wound contact pad 10cm x 11cm + border 2cm)	405
	19cm x 22.2cm (wound contact pad 14cm x 17.1cm + border 2.5cm)	664
<u>Circular (Heel)</u>	14cm x 14cm (wound contact pad 7.6cm x 7.6cm + border 3.2cm)	406
<i>ActivHeal</i>		
<u>Square</u>	10cm x 10cm (wound contact pad 5cm x 5cm + border 2.5cm)	157
	12.5cm x 12.5cm (wound contact pad 7.5cm x 7.5cm + border 2.5)	150
	15cm x 15cm (wound contact pad 11cm x 11cm + border 2cm)	192
	20cm x 20cm (wound contact pad 13.5cm x 13.5cm + border 3cm)	434
<i>Allevyn Adhesive (Adhesive faced pad)</i>		
<u>Square</u>	7.5cm x 7.5cm (wound contact pad 5cm x 5cm + border 1.25cm)	132
	10cm x 10cm (wound contact pad 7.5cm x 7.5cm + border 1.25cm)	193
	12.5cm x 12.5cm (wound contact pad 10cm x 10cm + border 1.25cm)	237
	17.5cm x 17.5cm (wound contact pad 15cm x 15cm + border 1.25cm)	466
	22.5cm x 22.5cm (wound contact pad 20cm x 20cm + border 1.25cm)	679
<u>Rectangular</u>	12.5cm x 22.5cm (wound contact pad 10cm x 20cm + border 2cm)	368
<i>Anatomically Shaped Sacral Dressing</i>		
	17cm x 17cm (wound contact pad 13cm x 13cm + border 2cm)	356 $\Delta$
	22cm x 22cm (wound contact pad 18cm x 18cm + border 2cm)	512
<i>Allevyn Plus Adhesive</i>		
<u>Square</u>	12.5cm x 12.5cm (wound contact pad 10cm x 10cm + border 1.25cm)	290
	17.5cm x 17.5cm (wound contact pad 15cm x 15cm + border 1.25cm)	560
<u>Rectangular</u>	12.5cm x 22.5cm (wound contact pad 10cm x 20cm + border 2cm)	514
<i>Anatomically Shaped Sacral Dressing</i>		
	17cm x 17cm (wound contact pad 13cm x 13cm + border 2cm)	423
	22cm x 22cm (wound contact pad 18cm x 18cm + border 2cm)	612
<i>Biatain Adhesive</i>		
<u>Square</u>	10cm x 10cm (circular wound contact pad 6cm diameter + irregular border)	153
	12cm x 12cm (wound contact pad 8cm x 8cm + border 2cm)	229
	18cm x 18cm (wound contact pad 13cm x 13cm + border 2.5cm)	459
<u>Sacral</u>	23cm x 23cm (wound contact pad 13cm x 13cm + border 5cm)	392
<u>Heel Dressing</u>	19cm x 20cm (wound contact pad 12cm x 13cm + border 3.5cm)	458
<u>Contour</u>	17cm diameter (wound contact pad 8cm diameter + irregular border)	434
<u>Rectangular</u>	18cm x 28cm (wound contact pad 10cm x 20cm + border 4cm)	679
<u>Circular</u>	see under 'Square' with circular pad	

IXA

## APPLIANCES

Appliance	Size or Weight	Basic Price p
<b>DRESSINGS</b>		
<b>WOUND MANAGEMENT DRESSINGS</b>		
<b>each</b>		
<b>Comifoam</b>		
<b>Square</b>		
7.5cm x 7.5cm	(wound contact pad 4cm x 4cm + border 1.75cm)	113
10cm x 10cm	(wound contact pad 5cm x 5cm + border 2.5cm)	165
12.5cm x 12.5cm	(wound contact pad 7.5cm x 7.5cm + border 2.5cm)	203
17.5cm x 17.5cm	(wound contact pad 12.5cm x 12.5cm + border 2.5cm)	401
<b>Curafoam Island</b>		
<b>Square</b>		
10cm x 10cm	(wound contact pad 5cm x 4cm + border 2.5-3cm)	121
15cm x 15cm	(wound contact pad 9.5cm x 9.5cm + border 2.75cm)	219
20cm x 20cm	(wound contact pad 13cm x 14cm + border 3.0-3.5cm)	434
<b>PermaFoam</b>		
<b>Concave</b>		
16.5cm x 18cm	(wound contact pad 10.5cm x 12cm + border 3cm)	360
<b>Sacral</b>		
18cm x 18cm	(wound contact pad 11cm x 9.5cm + border 3-4.25cm)	296
22cm x 22cm	(wound contact pad 14.5cm x 12.5cm + border 3.75-4.75cm)	340
<b>PermaFoam Comfort</b>		
<b>Square</b>		
8cm x 8cm	(wound contact pad 3.5cm x 3.5cm + border 2.25cm)	100
11cm x 11cm	(wound contact pad 6cm x 6cm + border 2.5cm)	190
15cm x 15cm	(wound contact pad 10cm x 10cm + border 2.5cm)	310
20cm x 20cm	(wound contact pad 14cm x 14cm + border 3cm)	450
<b>Rectangular</b>		
10cm x 20cm	(wound contact pad 5cm x 14cm + border 2.5-3cm)	300
<b>Tielle Plus</b>		
<b>Square</b>		
11cm x 11cm	(wound contact pad 7cm x 7cm + border 2cm)	248
15cm x 15cm	(wound contact pad 11cm x 11cm + border 2cm)	405
<b>Rectangular</b>		
15cm x 20cm	(wound contact pad 11cm x 16cm + border 2cm)	508
<b>Sacrum</b>		
15cm x 15cm	(wound contact pad 7.2cm x 10cm + border 2.5-5.3cm)	295
<b>Tielle Plus Heel Hydropolymer Adhesive Dressing</b>		
<b>Heel Dressing</b>		
20cm x 26.5cm	(wound contact pad 14.5cm x 14.5cm + irregular border)	420
<b>Trufoam</b>		
<b>Square</b>		
11cm x 11cm	(wound contact pad 7cm x 7cm + border 2cm)	208
15cm x 15cm	(wound contact pad 11cm x 11cm + border 2cm)	348
<b>Rectangular</b>		
7cm x 9cm	(wound contact pad 3cm x 5cm + border 2cm)	109
15cm x 20cm	(wound contact pad 11cm x 15cm + border 2.5cm)	436
<b>Polyurethane Foam Film Dressing - Sterile - Without Adhesive Border</b>		
<b>Moderate to heavily exuding wounds</b>		
<b>3M Foam Dressing</b>		
<b>Square</b>		
8.8cm x 8.8cm (Fenestrated)		213
10cm x 10cm		209
20cm x 20cm		565
<b>Rectangular</b>		
10cm x 20cm		354
10cm x 60cm		1196
<b>ActivHeal</b>		
<b>Square</b>		
5cm x 5cm		72
10cm x 10cm		109
20cm x 20cm		378
<b>Rectangular</b>		
10cm x 17.8cm		226
<b>Advazorb</b>		
<b>Square</b>		
10cm x 10cm		80
<b>Rectangular</b>		
5cm x 7.5cm		45
<b>Allewyn Compression</b>		
<b>Square</b>		
10cm x 10cm		227
15cm x 15cm		378
<b>Rectangular</b>		
5cm x 6cm		110
15cm x 20cm		432

## APPLIANCES

Appliance	Size or Weight	Basic Price p each
<b>DRESSINGS</b>		
<b>WOUND MANAGEMENT DRESSINGS</b>		
<i>Allevyn Non-Adhesive</i>	<u>Square</u>	5cm x 5cm 111 10cm x 10cm 221 20cm x 20cm 592
	<u>Rectangular</u>	10cm x 20cm 355
	<u>Heel (Cup Shaped)</u>	10.5cm x 13.5cm 443
<i>Biatain Non-Adhesive</i>	<u>Circular</u>	5cm diameter 109 8cm diameter 153
	<u>Square</u>	10cm x 10cm 211 15cm x 15cm 390 20cm x 20cm 578
<i>Biatain Soft Hold Dressing</i>	<u>Rectangular</u>	10cm x 20cm 349
	<u>Square</u>	10cm x 10cm 230 15cm x 15cm 382
<i>Comfoam</i>	<u>Rectangular</u>	10cm x 20cm 349
	<u>Square</u>	5cm x 5cm 96 10cm x 10cm 190 20cm x 20cm 509
<i>Curafoam Plus</i>	<u>Rectangular</u>	10cm x 20cm 305
	<u>Square</u>	6cm x 6cm 106 10cm x 10cm 165 20cm x 20cm 504
	<u>Rectangular</u>	10cm x 13cm 205
<i>Hydrafoam</i>	<u>Square</u>	10cm x 20cm 320 10cm x 10cm 173 15cm x 15cm 332 20cm x 20cm 515
<i>Kerraboot</i>	<u>Rectangular</u>	10cm x 20cm 310
	<u>Boot Shaped</u>	Small 1427 Large 1427
<i>PermaFoam</i>	<u>Circular</u>	6cm diameter 98
	<u>Square</u>	8cm x 8cm (fenestrated) 112 10cm x 10cm 190 15cm x 15cm 360 20cm x 20cm 550
<i>Tielle Plus Borderless</i>	<u>Rectangular</u>	10cm x 20cm 325
	<u>Square</u>	11cm x 11cm 298
<i>Trufoam NA</i>	<u>Rectangular</u>	15cm x 20cm 540
	<u>Square</u>	5cm x 5cm 104 10cm x 10cm 197 15cm x 15cm 363
Packed in outer container not exceeding 10 units.		
<b>Polyurethane Matrix Dressing</b>		
Indications: Light to medium exudating wounds		
<b>With Adhesive Border</b>		
<i>Cutinova Hydro Border</i>		
	<u>Square</u>	15cm x 15cm (wound contact pad 10cm x 10cm + border 2.5cm) 275
	<u>Rectangular</u>	10cm x 11cm (wound contact pad 5cm x 6cm + border 2.5cm) 121 17cm x 20cm (wound contact pad 12cm x 15cm + border 2.5cm) 422
<b>Without Adhesive Border</b>		
<i>Cutinova Hydro</i>		
	<u>Square</u>	10cm x 10cm 220
	<u>Rectangular</u>	5cm x 6cm 109 15cm x 20cm 466
<b>Protease Modulating Matrix - Sterile</b>		
<i>Aquacel</i>	<u>Square</u>	5cm x 5cm 101 10cm x 10cm 240 15cm x 15cm 451
	<u>Rectangular</u>	4cm x 10cm 130 4cm x 20cm 192 4cm x 30cm 288

IXA

## APPLIANCES

Appliance	Size or Weight	Basic Price p
<b>DRESSINGS</b>		
<b>WOUND MANAGEMENT DRESSINGS</b>		
		<b>each</b>
<i>Aquacel Ag</i>	<u>Square</u>	5cm x 5cm 171 10cm x 10cm 407 15cm x 15cm 767
	<u>Rectangular</u>	4cm x 10cm 250 4cm x 20cm 326 4cm x 30cm 488 20cm x 30cm 1903
<i>Cadesorb</i>	20g tube (approximate coverage 120cm <sup>2</sup> )	798
<i>Promogran</i>	28cm <sup>2</sup> (matrix is hexagonal in shape)	489 $\Delta$
	123cm <sup>2</sup> (matrix is hexagonal in shape)	1473
<i>Promogran Prisma</i>	28cm <sup>2</sup> (matrix is hexagonal in shape)	595
	123cm <sup>2</sup> (matrix is hexagonal in shape)	1695
<i>Suprasorb C</i>	4cm x 6cm	255
	6cm x 8cm	390
	8cm x 12cm	765
<b>Silicone Gel Sheet</b>		
Indications: For prevention treatment - Keloid and Hypertrophic scars.		
<i>Advasil</i>	<u>Square</u>	10cm x 10cm 510
<i>Cica-Care</i>	<u>Rectangular</u>	6cm x 12cm 1291 15cm x 12cm 2516
<i>Mepiform</i>	<u>Rectangular</u>	5cm x 7.5cm 324 10cm x 18cm 1315 4cm x 30cm 926
<i>Silgel</i>	<u>Square</u>	10cm x 10cm 1350 20cm x 20cm 4000 40cm x 40cm 14400
	<u>Rectangular</u>	10cm x 5cm 750 15cm x 10cm 1950 30cm x 5cm 1950 10cm x 30cm 3150
	<u>Shaped</u>	5cm Diameter 400 5.5cm Diameter 400 25cm x 15cm 2112 46cm x 8.5cm 3946
<b>Silicone Topical Cream &amp; Gel</b>		
Indications: For prevention treatment - Keloid and Hypertrophic scars.		
<i>Dermatix</i>	15g tube	1900
	60g tube	5700
<i>Silgel STC-SE (gel)</i>	20ml tube	1900
<b>Silver Coated Barrier Dressings - Sterile</b>		
<i>Acticoat</i>	<u>Square</u>	5cm x 5cm 309 $\Delta$ 10cm x 10cm 755
	<u>Rectangular</u>	10cm x 20cm 1181 20cm x 40cm 4040 $\Delta$
<i>Acticoat Absorbent</i>	<u>Square</u>	5cm x 5cm 472
	<u>Rectangular</u>	10cm x 12.5cm 1133
<i>Acticoat 7</i>	<u>Square</u>	5cm x 5cm 537 $\Delta$
	<u>Rectangular</u>	15cm x 15cm 2878 10cm x 12.5cm 1601
<b>Silver Impregnated Polyurethane Foam Film Dressings</b>		
<b>With Adhesive Border</b>		
<i>Avance A</i>	<u>Square</u>	9cm x 9cm (wound contact pad 5cm x 5cm + border 2cm) 222 12cm x 12cm (wound contact pad 8cm x 8cm + border 2cm) 368 15cm x 15cm (wound contact pad 10cm x 10cm + border 2.5cm) 451
<i>Sacral</i>	15cm x 13cm	(wound contact pad 10cm x 8cm + border 2.5cm) 332
<i>Contreet Foam</i>	<u>Square</u>	12.5cm x 12.5cm (wound contact pad 8cm x 8cm + border 2.25cm) 822 18cm x 18cm (wound contact pad 13cm x 13cm + border 2.5cm) 1649
	<u>Heel</u>	19cm x 20cm (wound contact pad 12cm x 13cm + border 3.5cm) 1595
	<u>Sacral</u>	23cm x 23cm (wound contact pad 13cm x 13cm + border 5cm) 1695

---

**APPLIANCES**


---

Appliance	Size or Weight	Basic Price p
<b>DRESSINGS</b>		
<b>WOUND MANAGEMENT DRESSINGS</b>		
<b>Without Adhesive Border</b>		
<i>Avance</i>	<u>Square</u>	10cm x 10cm
	<u>Rectangular</u>	10cm x 17.5cm
		15cm x 20cm
<i>Contreet Foam</i>	<u>Square</u>	10cm x 10cm
		15cm x 15cm
		20cm x 20cm
	<u>Rectangular</u>	10cm x 20cm
	<u>Circular</u>	5cm diameter
<b>Soft Polymer Wound Contact Dressing</b>		
CE		
<i>Physiotulle</i>		10cm x 10cm
		15cm x 20cm
<i>Tegapore</i>		7.5cm x 10cm
		7.5cm x 20cm
		20cm x 25cm
<i>Urgotul</i>		10cm x 12cm
		10cm x 40cm
		15cm x 20cm
<b>Soft Polymer Wound Contact Dressing Impregnated with Silver</b>		
<i>Urgotul SSD</i>		10cm x 12cm
		15cm x 20cm
<b>Soft Polymer Wound Contact Dressing with Polyurethane Foam Film Backing - Sterile</b>		
CE		
<i>Urgocell</i>		
(adhesive)		13cm x 13cm
		15cm x 20cm
(non-adhesive)		10cm x 12cm
		15cm x 20cm
<b>Soft Silicone Wound Contact Dressing - Sterile</b>		
CE		
Indications: Non-exuding to heavily exuding wounds.		
Should be covered with a simple absorbent secondary dressing.		
Precautions: Dressing should be used with care in heavily bleeding wounds.		
<i>Mepilex Transfer</i>		15cm x 20cm
		20cm x 50cm
<i>Mepitel</i>		5cm x 7cm
		8cm x 10cm
		12cm x 15cm
		20cm x 30cm
<b>Soft Silicone Wound Contact Dressing with Polyurethane Foam Film Backing - Sterile</b>		
CE		
Precautions: Dressing should be used with care in heavily bleeding wounds.		
<i>Mepilex</i>		10cm x 10cm
		10cm x 20cm
		15cm x 15cm
		20cm x 20cm
<i>Mepilex Lite</i>		6cm x 8.5cm
		10cm x 10cm
		15cm x 15cm
		20cm x 50cm

IXA

---

**APPLIANCES**


---

Appliance	Size or Weight	Basic Price p
<b>DRESSINGS</b>		
<b>WOUND MANAGEMENT DRESSINGS</b>		
<b>With Silicone Adhesive Border</b>		
<i>Mepilex Border</i>	7.5cm x 7.5cm	135
	10cm x 10cm	245
	15cm x 15cm	400
	15cm x 20cm	501
<i>Mepilex Border Lite</i>	4cm x 5cm	85
	7.5cm x 7.5cm	128
	5cm x 12.5cm	185
	10cm x 10cm	233
	15cm x 15cm	380
<b>Wound Drainage Pouch</b>		
CE		
Indications: Suitable for wounds with a low volume of exudate		
<i>Biotrol Draina S Fistula</i> for wound drainage and fistula management		<b>pack of 30</b>
Mini (Cut to 20mm) 150ml Capacity (H0856OE)		7035
<i>Oakmed Option Wound Manager</i>		
cut-to-fit:		
	10mm - 30mm Small (OM-S)	6321
	10mm - 50mm Medium (OM-M)	7002
	10mm - 50mm Large (OM-L)	7334
Indications: Suitable for wounds with a high volume of exudate		
<i>ADI Medical DermaSure</i>		
For wounds up to:		
	Small (9cm x 16cm) 7OS3010	1529 △
	Medium (15cm x 27cm) 7OS3020	2039 △
<i>Biotrol Draina S Fistula</i> for wound drainage and fistula management		<b>pack of 20</b>
Medium (Cut to 50mm) 350ml Capacity (H28555E)		7014
Large (Cut to 88mm) 500ml Capacity (H28556E)		8626
<i>ConvaTec Wound Manager</i>		<b>each</b>
For wounds up to:		
	Small (7.6cm x 7.6cm)	928
	Medium (7.6cm x 18cm)	1547
	Large (10cm x 23cm)	2041
<i>Oakmed Option Wound Manager</i>		<b>pack of 10</b>
Small (horizontal wounds upto 245mm wide x 160mm high)	(WWM-S)	11450
Medium (vertical wounds upto 90mm wide x 260mm high)	(WWM-M)	11705
Square (vertical wounds upto 160mm wide x 200mm high)	(WWM-SQ)	12214
Small with Access Port (horizontal wounds upto 245mm wide x 160mm high)	(WWM-SA)	11959
Medium with Access Port (vertical wounds upto 90mm wide x 260mm high)	(WWM-MA)	12214
Square with Access Port (vertical wounds upto 160mm wide x 200mm high)	(WWM-SQA)	12723

---

**APPLIANCES**


---

Appliance	Size or Weight	Basic Price p
<b>each</b>		
<b>DROPPERS</b>		30
Glass, with bull-nose or curved flat end fitted (each in box) with good quality rubber teat. Where appropriate, a dropper should be supplied with eye, ear and nasal drops (See Part IV, containers and Part XVI (11.1.6) for details of prescription charges payable).		
<b>DRY MOUTH PRODUCTS</b>		
<b>Saliva Replacement</b>		
<i>Salinum</i>	300ml	1350
<b>Saliva Stimulating</b>		
SST Saliva Stimulating Tablets	container of 100	486
<b>EAR WAX SOFTENING MEDICAL DEVICES</b>		
<i>Sodium Bicarbonate Ear Drops</i> (Thornton & Ross)	10ml	125

**ELASTIC HOSIERY****Graduated Compression Hosiery**

Specification 40

Explanation of Garments

*N.B. The "Class" can be expressed either with roman or arabic numerals.*

<u>Class I</u>	Light (Mild) Support Compression at ankle 14mm Hg - 17mm Hg
Indications	- Superficial or early Varices. Varicosis during pregnancy.
Styles	- Thigh length or below knee with knitted in heel (reciprocated).
<u>Class II</u>	Medium (Moderate) Support Compression at ankle 18mm Hg - 24mm Hg
Indications	- Varices of medium severity - Ulcer Treatment and prevention of recurrence. Mild oedema - Varicosis during pregnancy - Anklets and kneecaps: for soft tissue support
Styles	- Thigh length or below knee with knitted in heel (reciprocated)
<u>Class III</u>	Strong support Compression at ankle 25mm Hg - 35mm Hg
Indications	- Gross varices - Post Thrombotic Venous Insufficiency - Gross Oedema - Ulcer Treatment and prevention of recurrence - Anklets and kneecaps: for soft tissue support
Styles	- Thigh length or below knee open or knitted in heel (reciprocated)

IXA

**General Notes****Prescribing**

Before the prescription can be dispensed the following details must be given by the prescriber.

- Quantity - single or pair
- Article including any accessories (see pages 159-161 for knit, style and price)
- Compression Class I, II or III

**Constructional Specification**

The complete structural specification, as well as performance requirements are contained in Drug Tariff Specification No. 40.

**Specially Made Garments**

- In cases where stock sizes are not suitable for patients owing to irregular limb dimensions, surgical stockings in the prescribed compression class, to be made to the patient's individual measurements, should be specified.
- All such garments are specially shaped during manufacture and may have a knitted in or open heel and open or knitted in toe.

**Sizing**

All articles must conform to BS 6612:1985 with regard to size designation.

---

**APPLIANCES**


---

**ELASTIC HOSIERY**Labelling

All articles must state clearly on the packaging that they conform with Drug Tariff Technical Specification No 40. The packaging should also provide clear washing instructions in conformity with handwashing at 40°C as defined in BS 2747 and washing instructions should be durably and clearly marked on each garment. The packaging should clearly define the garments percentage and fibre content.

Anklets and Kneecaps (see page 161)

DESCRIPTION OF ARTICLES AVAILABLE				
Compression Class (See page 159)	Type of Garment		Standard Stock Sized Garments Supplied	* Made-to-Measure Garments Supplied
	Knit	Style	Price per pair in pence	Price per pair in pence
CLASS I	Circular	Thigh	702	3485
		B. Knee	641	2180
	Lt. Wt	Thigh		1879
CLASS II	Circular	B. Knee	1043	3485
			937	2180
	Net	Thigh		1879
		B. Knee		1467
	Flat Bed	Thigh		3485
	B. Knee		2180	
CLASS III	Circular	Thigh	1236	3485
		B. Knee	1063	2180
	Flat Bed (formerly One Way Stretch)	Thigh		3485
		B. Knee		2180
Accessories				Price per item in pence
	Acti-Glide			1276
	Additional Price for Fitted Suspender			61
	Spare Suspender for thigh stockings			61
	Suspender Belt Drug Tariff Specification No. 13			468

*NB: The reimbursable price for one item is half the price of a pair.*

*More than one prescription charge is payable where: more than one piece of elastic hosiery is supplied (see Part XVI sub paragraph 12.12).*

\* All such garments are specially shaped during manufacture and many have a knitted in or open heel and open or knitted in toe with the following exceptions:

Class II/III - Flat Bed Knit can only be supplied with closed heel and open toe.

*Note: Prescriptions should be endorsed with the style, ie, fabric or knit supplied.*

For Above Knee Stockings - see Thigh Length.



---

**APPLIANCES**


---

**ELASTIC HOSIERY**

COMPRESSION CLASS	DESCRIPTION OF ARTICLES AVAILABLE		Standard Stock	Made-to- Measure
	Knit	Type of Garment	Sized Garments	Garments
			Price per pair in pence	Price per pair in pence
CLASS II	Circular	Anklet	614	614
		Kneecap	614	614
	Flat Bed	Anklet	1276	1276
		Kneecap	1276	1276
	Net	Anklet		1207
Kneecap			1003	
CLASS III	Circular	Anklet	857	857
		Kneecap	819	819
	Flat Bed (formerly One Way Stretch)	Anklet	857	1276
		Kneecap	819	1276

*NB: The reimbursable price for one item is half the price of a pair.*

*More than one prescription charge is payable when more than one piece of elastic hosiery is supplied. (see Part XVI sub paragraph 12.12).*

Appliance	Size or Weight	Basic Price p
<b>EMOLLIENTS</b>		<b>per tub</b>
<i>Epaderm</i>	125g	348
	500g	590
<b>EYE BATHS</b>		<b>each</b>
Squat shape, with finger grips, rigid plastics smooth inner surface and base, rounded rim		22
<b>EYE DROPS DISPENSERS</b>		
<i>Opticare</i>	(for 2.5, 5, 10, 15 & 20ml bottles)	492
<i>Opticare Arthro 5</i>	(for 2.5 & 5ml bottles)	492
<i>Opticare Arthro 10</i>	(for 10, 15, 20ml bottles)	492
<b>EYE SHADES</b>		28
Plastics, semi-rigid, non flam., perforation along top for ventilation, to fit either eye		
<b>FINGER COTS</b> Seamless latex	box of 10	<b>per box</b> 30
<b>FINGER STALLS</b>		<b>each</b>
<b>Simulated Leather</b>	Small, Medium, Large & Extra Large	39
On a knitted fabric base, with adjustable elastic wrist band		
<b>GAUZES</b>		
<b>Absorbent Cotton Gauze, Type 13 Light BP 1988, sterile</b>		
(Syn: Absorbent Gauze)	90 cm x 1 m	98
	90 cm x 3 m	204
Where no quantity is stated by the prescriber the 1 m packet should be supplied.	90 cm x 5 m	319
	90 cm x 10 m	610
<b>Absorbent Cotton Gauze, Type 13 Light BP 1988</b>	25 m roll	1398
not sterilised		
(Syn: Absorbent Gauze)		
<b>Absorbent Cotton and Viscose Ribbon Gauze BP 1988 Sterile</b>	1.25 cm x 5 m	74
	2.5 cm x 5 m	82

IXA

---

**APPLIANCES**


---

Appliance	Size or Weight	Basic Price p
<b>GAUZE PADS/SWABS - See SWABS</b>		
<b>GAUZE TISSUES</b>		
<b>Gauze and Cotton Tissue BP 1988</b> (Absorbent Gauze Tissue; Gauze Tissue)	500g	<b>each</b> 635
<b>Gauze and Cotton Tissue (Drug Tariff)</b> Specification 14 To be supplied only where specifically ordered.	500g	464
<b>HEAD LICE DEVICE</b>		
<b>Bug Buster Kit</b> (Kit containing 3 Bug Buster combs, 1 Nit Buster comb, 1 wide tooth comb plus a protective cape). The Bug Buster Kit works in combination with ordinary shampoo and hair conditioner - no additional medicated products are required.		439
<b>Nitty Gritty NitFree</b> Steel Nit comb with Microgrooved Teeth		567
<b>HYPODERMIC EQUIPMENT</b>		
<b>A. Hypodermic Needles</b>		32
Specification 15 British Standard 3522 Luer Mount Needles NB: The appropriate British Standard Needles must be supplied if the old "Hypo" sizes are ordered		
<b>B. Hypodermic Syringes</b>		
Glass barrels with Luer taper conical fittings.		
(i) <u>Syringes for use with drugs other than insulin</u>		
<b>Ordinary Purpose Syringe</b>	1ml	850
Specification 16	2ml	850
British Standard 1263 Luer mount syringe.		
<b>C. Single Patient-Use Products</b>		
(i) <b>U100 Insulin Syringes with Needle - Sterile, Single-use or Single Patient-use</b> for the injection of U100 Insulin by diabetics in the community. Shall comply with the requirements of BS 7548:1992 COLOUR CODING: The colour orange is used to distinguish U100 insulin syringes. Note: When the size is not specified by the prescriber the 0.5ml syringe with needle should be supplied. If the patient is known to inject more than 50 units of insulin per injection the 1.0ml syringe shall be supplied.		
<b>Needles 8mm</b> long shall have a range of needle diameters as follows:		
0.33mm (29G) and 0.3mm (30G)		
Size		<b>per 10</b>
0.3ml syringe and needle		127
0.5ml syringe and needle		123
1.0ml syringe and needle		122
<b>Needles 12mm</b> long shall have a range of needle diameters as follows:		
0.45mm (26G), 0.4mm (27G), 0.36mm (28G) and 0.33mm (29G)		
Size		
0.3ml syringe and needle		137
0.5ml syringe and needle		132
1.0ml syringe and needle		133

## APPLIANCES

Appliance	Size or Weight	Basic Price	p
<b>HYPODERMIC EQUIPMENT</b>			
(ii) <b>Hypodermic Needles-Sterile, Single-use</b>			
Shall comply with the requirements of BS 5081: Part 2: 1987:			
0.4mm size needles shall comply with the requirements of the above BS and the needle tube shall have the properties given in Annex D of BS 7548: 1992.			
For use with the re-usable glass syringes listed in this Tariff on page 162.			
The needles shall be of a length not less than 12mm and the following diameters may be supplied:			
Size			<b>each</b>
0.5 mm (25G)	100	253	
0.45 mm (26G)	100	253	
0.4 mm (27G)	100	253	
<b>D. Reusable Pens</b>			
	<u>Cartridge Size</u>	<u>Dial up unit dose</u>	
<i>Autopen Classic</i> (Owen Mumford)	3.0ml 3.0ml	1 unit (1-21 units) 2 unit (2-42 units)	1492 1492
<i>Autopen 24</i> (Owen Mumford)	3.0ml 3.0ml	1 unit (1-21 units) 2 unit (2-42 units)	1470 1470
<i>Autopen Junior</i> (Owen Mumford)	3.0ml 3.0ml	1 unit (1-21 units) 2 unit (2-42 units)	1492 1492
<i>Autopen Special Edition</i> (Owen Mumford)	3.0ml 3.0ml	1 unit (1-21 units) 2 unit (2-42 units)	1492 1492
<i>HumaPen Ergo</i> (Burgundy) (Teal) (Lilly)	3.0ml 3.0ml	1 unit (1-60 units) 1 unit (1-60 units)	2239 2239
<i>HumaPen Luxura</i> (Lilly)	3.0ml	1 unit (1-60 units)	2636
<i>Innovo</i> (Green) (Orange) (Novo Nordisk)	3.0ml 3.0ml	1 unit (1-70 units) 1 unit (1-70 units)	2688 2688
<i>NovoPen 3</i> <i>Classic</i> <i>Demi</i> <i>Fun</i> (Novo Nordisk)	3.0ml 3.0ml 3.0ml	1 unit (2-70 units) 0.5 unit (1-35 units) 1 unit (2-70 units)	2407 2407 2407
<i>NovoPen Junior</i> (Green) (Yellow) (Novo Nordisk)	3.0ml 3.0ml	0.5 unit (1-35 units) 0.5 unit (1-35 units)	2366 2366
<i>Optipen Pro 1</i> (Aventis)	3.0ml	1 unit (1-60 units)	2200

IXA

## APPLIANCES

Appliance	Size or Weight	Basic Price
<b>HYPODERMIC EQUIPMENT</b>		
<b>E. Needles for Pre-filled and Reusable Pen Injectors</b>		
<b>Screw On</b>		<b>100 pack</b>
<i>BD Micro-Fine+</i> (Becton Dickinson UK Ltd)	5mm/31 gauge	1208
	8mm/31 gauge	857
	12.7mm/29 gauge	857
<i>Exel Comfort Point</i> (Exelint Europe Ltd)	6mm/31 gauge	995
	8mm/31 gauge	695
	12mm/29 gauge	695
<i>NovoFine</i> (Novo Nordisk)	6mm/31 gauge	1208
	8mm/30 gauge	815
	12mm/28 gauge	815
<i>Unifine Pentips</i> (Owen Mumford Ltd)	6mm/31 gauge	1208
	8mm/31 gauge	857
	12mm/29 gauge	857
<b>Snap On</b>		
Needle length less than or equal to 6.1mm		1182
Needle length between 6.2mm and 9.9mm		838
Needle length equal to or greater than 10mm		838
The approved manufacturer of this product is Ypsomed AG.		
<b>F. Lancets - Sterile, Single-Use</b>		<b>each</b>
<i>Ascensia Microlet Lancets</i> (Bayer Diagnostics)	0.5mm/28 gauge	100 355
		200 676
<i>Cleanlet Fine</i> (Gainor Medical)	0.36mm/28gauge	100 319
		200 613
<i>FinePoint</i> (LifeScan UK)	0.5mm/25 gauge	100 348
<i>Freestyle</i> (Abbott Labs Ltd formerly Therasense Ltd)	0.5mm/25 gauge	200 650
<i>GlucoMen (Fine)</i> (A. Menarini Diagnostics)	0.45mm/26 gauge	100 342
		200 661
<i>MediSense Thin Lancets</i> (Abbott Labs Ltd formerly MediSense Ltd)	0.36mm/28 gauge	200 663
<i>Micro-Fine +</i> (Becton Dickinson)	0.20mm/33 gauge	100 316
	0.30mm/30 gauge	200 613
<i>Milward Steri-Let</i> (Entaco)	0.66mm/23 gauge	100 300
		200 570
	0.36mm/28 gauge	100 300
		200 570

**APPLIANCES**

Appliance	Size or Weight	Basic Price p
<b>HYPODERMIC EQUIPMENT</b>		
		<b>each</b>
<i>Monolet</i> (Sherwood Medical)	0.8 mm/21gauge	100 328
		200 624
<i>Monolet Extra</i> (Sherwood Medical)	0.8 mm/21gauge	100 328
<i>MPD Ultra Thin Lancets</i> (Medical Plastics Devices Inc)	0.46mm/26 gauge	100 330
		200 650
<i>Multiclix</i> (Roche Diagnostics)	0.3mm/30 gauge	204 867
<i>One Touch UltraSoft</i> (LifeScan UK)	0.4mm/28 gauge	100 349
<i>ProCare</i> see <i>VitalCare</i>		
<i>Softclix</i> (Roche Diagnostics Ltd)	0.4mm/28 gauge	200 693
<i>Softclix XL</i> (Roche Diagnostics Ltd)	0.8mm/21 gauge	50 173
<i>Unilet ComforTouch</i> (Owen Mumford Ltd)	0.375mm/28gauge	100 340
		200 644
<i>Unilet General Purpose</i> (Owen Mumford Ltd)	0.81mm/21gauge	100 347
		200 659
<i>Unilet General Purpose Superlite</i> (Owen Mumford Ltd)	0.66mm/23 gauge	100 346
		200 656
<i>Unilet Superlite</i> (Owen Mumford Ltd)	0.66mm/23 gauge	100 346
		200 656
<i>VitalCare (formerly ProCare)</i> (VitalCare UK)	0.36mm/28 gauge	200 620
<i>VitalCare Auto Safety Lancets</i> (VitalCare UK)	1.8mm/26 gauge	100 390
	1.8mm/21 gauge	100 390
	2.4mm/21 gauge	100 390
	3.0mm/21 gauge	100 390
<i>Vitrex Soft</i> (Vitrex Medical Ltd)	0.65mm/23 gauge	100 300
		200 570
<i>Vitrex Gentle</i> (Vitrex Medical Ltd)	0.36mm/28gauge	100 319
		200 613
<b>G. Accessories</b>		
Needle Clipping (Chopping) Device		124
Sharpsbin	1 litre	85

IXA

## APPLIANCES

Appliance	Size or Weight	Basic Price p each
<b>HYPODERMIC EQUIPMENT</b>		
<b>H. Needle-Free Insulin Delivery Systems</b>		
<i>Injex</i> Starter Set (Set includes 1 needle-free delivery system, reset box, transporter, 9 disposable 10ml vial adaptors, 165 ampoules)	Order Number 60500	14650
<i>Injex</i> 4 monthly Refill Pack (Pack contains 6 disposable 10ml vial adaptors, 100 ampoules)	60504	2400
<i>Injex</i> Ampoule Pack (Contains 50 ampoules)	60501	1205
<i>Injex</i> 10ml Vial Adaptor Pack (Contains 20 10ml vial adaptors)	60502	1200
<b>+ mhi-500 Starter Kit</b> (System includes 1 needle-free insulin delivery system, 1 practice nozzle system, 1 size 6 sterile nozzle assembly, 3 size 7 sterile nozzle assemblies, 2 disposable vial adaptors, 1 set of pressure rings)		
3ml vial adaptor	MH79002-01A	12234
10ml vial adaptor	MH79002-01	12212
<b>mhi-500 Vial Adaptor Pack</b> (Contains 6 sterile vial adaptors)		
3ml vial adaptor	MH79002-14	752
10ml vial adaptor	MH79002-09	751
<b>mhi-500 3-month Consumable Kit (10ml vial adaptor)</b> (Kit contains 13 nozzle assemblies, 5 disposable 10ml vial adaptors)		
Size 6 nozzle	MH79002-07	2254
Size 7 nozzle	MH79002-08	2254
<b>mhi-500 3-month Consumable Kit (3ml vial adaptor)</b> (Kit contains 13 nozzle assemblies, 15 disposable 3ml vial adaptors)		
Size 6 nozzle	MH79002-12	3512
Size 7 nozzle	MH79002-13	3512
<b>mhi-500 nozzle pack (Contains 6 sterile nozzle assemblies)</b>		
Size 6 nozzle	MH79002-10	751
Size 7 nozzle	MH79002-11	751
<b>+ to be deleted 1 March 2006</b>		
<b>SQ-Pen Starter Pack</b> (System includes 1 needle-free insulin injector, 1 practice nozzle, 1 sterile nozzle, 1 sterile 3ml vial adaptor, 1 sterile 10ml vial adaptor)		
	SQ 001	14500
<b>SQ-Pen Vial Adaptor Pack</b> (Contains 6 sterile vial adaptors)		
3ml vial adaptor	SQ 003	751
10ml vial adaptor	SQ 005	751
<b>SQ-Pen 3-month 3ml Consumable Pack</b> (Pack contains 15 x 3ml vial adaptors and 7 nozzles)		
	SQ 004	3023
<b>SQ-Pen 3-month 10ml Consumable Pack</b> (Pack contains 5 x 10ml vial adaptors and 7 nozzles)		
	SQ 006	1773
<b>SQ-Pen Nozzle Pack (Contains 6 sterile nozzle assemblies)</b>		
	SQ 002	984

---

**APPLIANCES**


---

Appliance		Size or Weight	Basic Price p
<b>INHALERS</b>			
Spare Tops - mouthpiece and cork See also Atomizers, Hand Operated, Nebulizers			203
<b>INSUFFLATORS</b>			
Plastics - for inhalation of fine powders.			
<i>Cyclohaler</i> (for use with Cyclocaps)			140
<i>Intal Spinhaler</i> (for use with Intal Spincaps)			192
<b>IRRIGATION FLUIDS</b>			
<u>Sterile Sodium Chloride 0.9%</u>			
<i>Flowfusor</i> (Fresenius Kabi)	Bellows Pack	1 x 120ml	150
<i>Fresenius Sodium Chloride 0.9% for Irrigation</i>	Pour Bottle	1 x 1000ml	95
<i>Irriclens</i> (ConvaTec)	Aerosol	1 x 240ml	306
<i>Irripod</i> (C D Medical Ltd)	Pod	25 x 20ml	550
<i>MiniVersol</i> (Aguettant Ltd)	Bottle	30 x 45ml	1500
	Bottle	30 x 100ml	2130
<i>Nine Lives</i> (Nine Lives)	Can	1 x 200ml	265
<i>Normasol</i> (Seton)	Sachet	25 x 25ml	607
		10 x 100ml	742
<i>Stericlens</i> (C D Medical Ltd)	Aerosol	100ml	194
		240ml	295
<i>Steripod</i> (Seton)	Pod	25 x 20ml	708
<u>Sterile Water</u>			
<i>Baxter Water for Irrigation</i> (Baxter Healthcare)	Pour Bottle	1 x 500ml	70
	Pour Bottle	1 x 1000ml	80
<i>Fresenius Water for Irrigation</i> (Fresenius Kabi)	Pour Bottle	1 x 1000ml	95
<i>MiniVersol</i> (Aguettant Ltd)	Bottle	30 x 45ml	1500
<i>Versol</i> (Aguettant Ltd)	Bottle	1 x 500ml	90
	Bottle	1 x 1000ml	95

IXA

Note: The exact number of containers (ie aerosols, ampoules, pods, sachets or tubes) ordered by the prescriber is to be dispensed.

---

**APPLIANCES**


---

Appliance	Size or Weight	Basic Price p
<b>LARYNGECTOMY PROTECTORS</b> - See "Tracheostomy and Laryngectomy Protectors" on page 180.		
<b>LATEX FOAM, ADHESIVE</b> , raised cotton backed Specification 19	22.5cm x 45cm 7mm thick Box of 4	<b>per piece</b> 434
Cervical Collar - now listed in Part IXA		
<b>LINT</b>		<b>each</b>
<b>Absorbent Lint BPC</b>	25g	81
(Syn: Absorbent Cotton Lint; Cotton Lint; Plain Lint; White Lint)	100g	248
Where no quantity is stated on the prescription form the 25g pack is to be supplied.	500g	1044
<b>LUBRICATING JELLY</b>		
<i>Aquagel</i> Lubricating Jelly (sterile until opened)	5g sachet	18
	42g tube	108
	82g tube	179
<i>Elite</i> Lubricating Jelly	50ml pump	225
<i>K-Y</i> Jelly (sterile until opened)	42g tube	142 △
	82g tube	224 △
<i>Sutherland</i> Lubricating Jelly (sterile until opened)	5g sachet	18
	42g tube	124
	82g tube	194
<b>NASAL DEVICE</b>		
<i>Nozovent</i> (Anglian Pharma)	Small	<b>pack of 2</b> 500
Nasal dilator to reduce snoring	Medium	500
	Large	500
<b>NASAL DROPS - SODIUM CHLORIDE 0.9%</b>		
Almus Pharmaceuticals	Dropper Bottle	<b>each</b> 10ml 99
Alpharma	Dropper Bottle	10ml 93
Orbis Consumer Products Ltd	Dropper Bottle	10ml 95
RX Farma	Dropper Bottle	10ml 99
Sandoz	Dropper Bottle	10ml 99
Tubilux Pharma (Tubilux Brand)	Dropper Bottle	10ml 99
<b>NIPPLE SHIELDS, PLASTICS</b>		
(Not to be confused with Breast Shields)		57
<b>ORAL FILM FORMING AGENTS</b>		
<i>Gelclair</i>	21 x 15ml Sachets	<b>each</b> 2984



---

**APPLIANCES**


---

**PEAK FLOW METERS**

syn: P.F.M.

(Non-powered; hand-held)

Portable meters intended for single-patient use.

The standard range is suitable for use by both adults and children.The low range model is for adults or children with severely restricted airflow.

The Medicines and Healthcare products Regulatory Agency (MHRA) has announced the introduction of a new standard for Peak Flow Meters and published a Medical Device Alert providing further information in June 2004.

The Peak Flow Meters standard range will conform to the EU standard EN 13826.

The Peak Flow Meters low range will be CE marked and comply with EN 13826 in all aspects except for a reduced measurement range.

The new products will be available on 1 September 2004.

Contractors should note that the Drug Tariff Specification 51 standard and low range Peak Flow Meters were deleted on 1 September 2004 and are replaced with devices conforming to the new standard.

From 1 September 2004 only those Peak Flow Meters meeting the new standard can be prescribed, dispensed and reimbursed.

The Department of Health has been closely monitoring the continuity of supply of Drug Tariff Specification 51 Peak Flow Meters. This monitoring has indicated that there is no need for additional guidance on the reimbursement of these meters.

Manufacturer	Order No.	Basic Price p
<u>Standard Range</u> EN 13826		
Clement Clarke	3103388	686
Ferraris PiKo-1	346005-EU	950
Ferraris Pocket Peak	208(EU)/F	653
Micro Medical	MPE8200EU	650
Respironics	755EU	686
Vitalograph	43602	595
Vitalograph Child	43703	595
 <u>Low Range</u> CE marked (must comply with the EN 13826 except for scale range)		
Clement Clarke	3104708	690
Ferraris Pocket Peak	209(EU)/F	653
Respironics	756EU	690
Vitalograph	43704	595

N.B:

1. "Low range" to be supplied only where specifically ordered.
2. Where the brand or manufacturer is not stated by the prescriber and has not been endorsed, the basic price must not exceed 595p.
3. Replacement recording charts (FP1010) are given by the prescribing doctor; they are also available from pharmacists.

Replacement Mouthpiece (Plastics)

(Not interchangeable between brands or manufacturers)

Replacement mouthpiece - suitable for both standard and low range models for use by adults or children

**each**

<i>Clement Clarke</i>	38
<i>Ferraris</i>	38
<i>Micro Medical</i>	38
<i>Vitalograph</i>	40

## APPLIANCES

Appliance	Size or Weight	Basic Price p
<b>PESSARIES</b>		
† <b>Hodges</b>	8 mm thick	<b>each</b>
Perspex	sizes	
Specification 20(i)		
Perspex Hodges Pessaries to be supplied against any orders for Vulcanite and Celluloid Hodges Pessaries.	1	60mm 408
	2	65mm 418
	3	68mm 427
	4	73mm 439
	5	78mm 449
	6	80mm 460
	7	82mm 469
	8	85mm 480
	9	88mm 491
	10	90mm 501
	11	95mm 510
	12	100mm 523
† <b>to be deleted 1 April 2006</b>		
<b>Ring</b>		
Polythene	7.5mm thick, 50-80mm	
Specification 20(ii)	(rising in 3mm)	
	7.5mm thick, 80-100mm	178
	(rising in 5mm)	
	7.5mm thick, 110mm	
PVC	1.25cm thick, 50-80mm	
Specification 20(iii)	(rising in 3mm)	
	1.25cm thick, 85-100mm	193
	(rising in 5mm)	
	1.25cm thick, 110mm	
<b>PLASTERS</b>		
<b>Belladonna Adhesive Plaster BP 1980</b>	Medium	<b>each</b>
(Syn: Belladonna Self-Adhesive Plaster; Belladonna Plaster)	19cm x 12.5cm	80
	Large	
	28cm x 17.5cm	137
<b>Spool Plasters</b> See Surgical Adhesive Tapes		
<b>PROTECTIVES</b>		
<b>Hand</b>		<b>pack of 30</b>
<b>EMA Film Gloves-Disposable</b>	Small	226
<i>Dispos-A-Gloves</i> Specification 21	Medium	
	Large	
<b>Gloves - Polythene, 100 gauge</b>		<b>pack of 25</b>
(Polythene Occlusives, Disposable For use as occlusives with medicated creams.)		52
<b>Limb</b>		<b>each</b>
<i>LIMBO Waterproof Protector - Adult 1/2 leg</i>		
MP80	Normal build	1020
MP80S	Normal build, short leg	1020
MP180	Large build	1020
MP180S	Large build, short leg	1020
<i>Seal-Tight wound care protector</i>		
CV27105	Adult foot/ankle	1050
CV27103	Adult short leg	1050
CV27106	Adult wide short leg	1050

## APPLIANCES

Appliance	Size or Weight	Basic Price p
<b>STOCKINETTE</b>		
When Elasticated Stockinette is ordered or prescribed without qualification, the term is to be interpreted as Elasticated Tubular Bandage.		
		<b>each</b>
<b>Cotton Stockinette, Bleached BP 1988 Heavyweight</b> (Syn: Cotton Stockinette)	2.5cm x 1m	32
	5cm x 1m	48
	7.5cm x 1m	59
	10cm x 6m	399

Elasticated Tubular Bandage BP  
(Elasticated Surgical Tubular Stockinette; ESTS; Elasticated Stockinette)

Size	6.25 cm		6.75 cm		7.5 cm		8.75 cm		10.0 cm		12.0 cm	
	B	B	C	C	D	D	E	E	F	F	G	G
Ref	0.5m	1m	0.5m	1m	0.5m	1m	0.5m	1m	0.5m	1m	0.5m	1m
Quantity	(p)	(p)	(p)	(p)	(p)	(p)	(p)	(p)	(p)	(p)	(p)	(p)
Comfigrip	63	114	67	121	67	121	76	130	76	130	79	153
Eesiban ESTS	79	143	86	151	86	151	95	164	95	164	99	190
easiGRIP	61	110	65	117	65	117	74	126	74	126	77	147
Sigma ETB	61	110	65	117	66	119	74	126	74	126	77	147
Textube	57	104	60	109	60	109	68	114	68	114	73	140
Tubigrip	88	159	96	168	96	168	106	182	106	182	110	211

IXA

- Where the quantity is not stated by the prescriber the 0.5 metre length should be supplied.
- Where the size is not stated by the prescriber, the size supplied should be endorsed.
- Where the brand is not stated by the prescriber the basic price of this stockinette must not exceed:

Size and Quantity	each (p)	each (p)	each (p)
6.25cm x 0.5m	57	7.5cm x 0.5m	60
6.25cm x 1.0m	104	7.5cm x 1.0m	109
6.75cm x 0.5m	60	8.75cm x 0.5m	68
6.75cm x 1.0m	109	8.75cm x 1.0m	114
		10.00cm x 0.5m	68
		10.00cm x 1.0m	114
		12.00cm x 0.5m	73
		12.00cm x 1.0m	140

Appliance	Size or Weight	Basic Price p
<b>Elasticated Surgical Tubular Stockinette Foam Padded</b>		
<i>(Tubipad)</i>		
Specification 25		
Heel, Elbow, Knee	small 'P4'	268
	medium 'P4X'	289
	large 'P5'	309
Sacral	medium 'P9'	1382
	large 'P9'	1382

---

**APPLIANCES**


---

**STOCKINETTE****Elasticated Viscose Stockinette - Bandage**

(Lightweight Elasticated Viscose Tubular Bandage)

Specification 46 and/or CE

Size		Basic Price (p) Each				
		<i>Acti-Fast</i>	<i>Comfast</i>	<i>Coverflex</i>	<i>Easifast</i>	<i>Tubifast</i>
Small Limb 3.5cm (Red Line)	1m	74	64	73	65	82
	3m	227	194	224	195	252
	5m	389	333	387	340	431
Medium Limb 5.0cm (Green Line)	1m	80	68	76	69	88
	3m	227	194	224	195	252
	5m	389	333	387	340	431
Large Limb 7.5cm (Blue Line)	1m	106	92	107	94	118
	3m	299	256	254	260	332
	5m	522	447	504	450	579
Trunk (Child) 10.75cm (Yellow Line)	1m	170	146	168	150	189
	3m	486	417	483	425	541
	5m	836	716	850	720	928
Trunk (Adult) 17.5cm (Beige Line)	1m	215	184	224	190	238

**Elasticated Viscose Stockinette - Garments**

Appliance	Size	Basic Price p	
		<i>Comfast Easy Wrap</i>	<i>Tubifast</i>
			<b>each</b>
Clava	6 months-5 years	650	-
	5-14 years	750	-
Vest	6-24 months	792	1027
	2-5 years	1056	1369
	5-8 years	1188	1540
	8-11 years	1320	1711
	11-14 years	1320	1711
			<b>per pair</b>
Tights	6-24 months	792	1027
Leggings	2-5 years	1056	1369
	5-8 years	1188	1540
	8-11 years	1320	1711
	11-14 years	1320	1711
Socks	One Size	-	428
	Up to 8 years	330	-
	8-14 years	330	-
Mittens	Up to 24 months	330	-
	2-8 years	330	-
	8-14 years	330	-

---

**APPLIANCES**


---

Appliance	Size or Weight	Basic Price p each
<b>STOCKINETTE</b>		
<b>Ribbed Cotton and Viscose Surgical Tubular Stockinette BP 1988</b>		
(Syn: Ribbed Cotton and Viscose Stockinette)		
<u>Type A Lightweight (Seton)</u>		
Arm/leg (child); arm (adult)	5cm x 5m	226
Arm (OS adult); leg (adult)	7.5cm x 5m	297
Leg (OS adult)	10cm x 5m	394
Trunk (child)	15cm x 5m	568
Trunk (adult)	20cm x 5m	655
Trunk (OS adult)	25cm x 5m	784
<u>Type B Heavyweight (Eesiban)</u>		
Arm/leg (child); arm (adult)	5cm x 5m	226
Arm (OS adult); leg (adult)	7.5cm x 5m	297
Leg (OS adult)	10cm x 5m	394
Trunk (child)	15cm x 5m	568
Trunk (adult)	20cm x 5m	655
Trunk (OS adult)	25cm x 5m	784

*NB: One 5m length of the relevant width is sufficient to provide two sets of dressing for a pair of limbs or a trunk.  
Two full suits for an OS adult are provided from one pack each of the 7.5cm, 10cm and 25cm widths.  
Two full suits for a standard sized adult are provided from one pack each of the 5cm, 7.5cm and 20cm widths.  
Two full suits for a young child are provided from one pack each of the 5cm and 15cm widths.*

IXA

**SUPRAPUBIC BELTS: Replacements Only**

Invoice Price  
(see note 5) (page 109)

N.B Original Belts are supplied by the Hospital Service.  
Prescription ordering replacement of a complete Belt or Outfit may only be accepted by a pharmacy or appliance contractor who will carry out the actual measurement, fitting and supply of the belt.  
Orders for replacement of "a belt" are to be taken as being for the belt alone and the prescription referred back to the prescriber to specify orders for a Complete Belt or Outfit where such appears to be required.  
Parts may include the following:  
Rubber Flaps  
Rubber Shields  
Rubber Understraps  
Rubber Urinal, single or double-chambered (See Incontinence Appliances)  
Belt Webbing  
Night Drainage Bag, Plastics (See Incontinence Appliances)  
Night Tube and Glass or Plastics Connector

## APPLIANCES

Appliance	Size or Weight	Basic Price p
<b>SURGICAL ADHESIVE TAPES</b>		
<b>Elastic Adhesive Tape BP 1988</b> (Syn: Elastic Surgical Adhesive Tape)	2.5cm x 4.5m stretched 5cm x 4.5m (See Elastic Adhesive Bandage)	<b>each</b> 155
<b>Impermeable Plastic Adhesive Tape BP1988</b> (Syn: Impermeable Plastic Surgical Adhesive Tape)	2.5cm x 3m 2.5cm x 5m 5cm x 5m 7.5cm x 5m	123 184 233 339
<b>Impermeable Plastic Synthetic Adhesive Tape BP 1988</b> (Syn: Impermeable Plastic Surgical Synthetic Adhesive Tape) (Blenderm)	2.5cm x 5m 5cm x 5m	172 327
<b>Permeable Woven Synthetic Adhesive Tape BP 1988</b> (Syn: Permeable Woven Surgical Synthetic Adhesive Tape) (Leukosilk)	1.25cm x 5m 2.5cm x 5m 5cm x 5m	72 106 184
<b>Permeable Non-Woven Synthetic Adhesive Tape BP 1988</b> (Syn: Permeable Non-Woven Surgical Synthetic adhesive Tape)		
	<b>1.25 cm</b>	<b>2.5 cm</b>
	<b>5 cm</b>	<b>7.5 cm</b>
<i>Quantity</i>	5m (p)	10m (p)
	5m (p)	10m (p)
	5m (p)	10m (p)
<i>Clinipore</i>	35	-
	59	-
<i>Leukofix</i>	51	-
	81	-
<i>Leukopore</i>	45	-
	70	-
<i>Mediplast</i>	30	-
	50	-
<i>Micropore</i>	60	-
	89	-
<i>Scanpor</i>	40	52
	64	86
	111	164
	-	240
Where no brand is stated by the prescriber, the basic price of the tape supplied must not exceed		<b>each</b>
	1.25cm x 5m	30
	2.5cm x 5m	50
	5cm x 5m	99
<b>Permeable, Apertured Non-Woven Synthetic Adhesive Tape BP 1988</b> (Syn: Permeable Non-Woven Surgical Synthetic Adhesive Tape)		
<i>Hypafix</i>	2.5cm x 10m 5cm x 10m 10cm x 10m 15cm x 10m 20cm x 10m 30cm x 10m	151 239 418 619 821 1187
<i>Mefix</i>	2.5cm x 5m 5cm x 5m 10cm x 5m 15cm x 5m 20cm x 5m 30cm x 5m	90 158 253 345 442 634
<i>Omnifix</i>	5cm x 10m 10cm x 10m 15cm x 10m	215 362 534
<b>Soft Silicone Fixation Tape</b> <i>Mepitac</i>	2cm x 3m 4cm x 1.5m	604 604

---

**APPLIANCES**


---

Appliance	Size or Weight	Basic Price p
<b>Zinc Oxide Adhesive Tape</b>		
(Zinc Oxide Surgical Adhesive Tape)		
<i>Mediplast - Zinc Oxide Plaster</i>		
	1.25cm x 5m	82
	2.5cm x 5m	119
	5cm x 5m	199
	7.5cm x 5m	299
<i>Strappal</i>	1.25cm x 5m	86
	2.5cm x 5m	124
	5cm x 5m	210
	7.5cm x 5m	315
<b>Zinc Oxide Adhesive Tape BP 1988</b>		
(Syn: Zinc Oxide Surgical Adhesive Tape)		
	1.25cm x 5m	88
	2.5cm x 5m	127
	5cm x 5m	215
	7.5cm x 5m	323

**SURGICAL SUTURES**

Ethicon Code No.	Metric Gauge	Length	Needle	Basic Price p
<b>Absorbable Sutures</b>				
<u>Sterile Catgut Chromic BP</u>				
				<b>pack of 12</b>
● W480	2.0	75cm	16mm curved cutting	1880
● W548	2.0	75cm	16mm curved round bodied	1880
● W565	3.5	75cm	25mm tapercut half circle heavy	2439
	(ExtraChromic)			
● W488	3.5	75cm	35mm tapercut half circle	2156
● W492	3.5	75cm	45mm tapercut half circle heavy	2255
<u>Sterile Synthetic</u>				
Ethicon Monocryl Poliglecaprone absorbable sutures composed of a copolymer of glycolide & caprolactone:				
W3650	2.0	70cm	60mm straight cutting	2752
Ethicon Vicryl-polyglactin 910 absorbable sutures composed of copolymer of glycolide and lactide				
W9505H	1.0	45cm	16mm P needle curved cutting	10191
W9074	1.5	45cm	16mm curved round bodied	2364
W9570H	1.5	75cm	19mm P needle curved cutting	10124
W9525H	2.0	45cm	26mm P needle curved reverse cutting	9707
Ethicon Vicryl Rapide-polyglactin 910 absorbable sutures composed of copolymer of glycolide and lactide which have been specially treated to give rapid strength loss and absorption profiles:				
				<b>pack of 12</b>
W9915	1.0	45cm	12mm P needle curved reverse cutting	4344
W9922	1.5	75cm	19mm P needle curved reverse cutting	3941
W9918	1.5	75cm	16mm P needle curved cutting	3487
W9932	2.0	75cm	26mm P needle curved reverse cutting	3665
W9923	2.0	75cm	19mm P needle curved reverse cutting	3641
W9962	3.0	90cm	35mm tapercut half circle	3694

IXA

## APPLIANCES

Ethicon Code No.	Metric Gauge	Length	Needle	Basic Price p
<b>Non Absorbable Sutures</b>				
<u>Sterile Braided Silk Suture</u>				
W501H	1.5	75cm	(black) 16mm curved cutting	<b>pack of 36</b> 3906
● W533	2.0	45cm	(black) 25mm super cutting curve	<b>pack of 12</b> 1615
W321H	3.0	45cm	(black) 26mm curved reverse cutting	<b>pack of 36</b> 3793
W2511T	2.0	45cm	(black) 26mm P needle curved reverse cutting	<b>pack of 24</b> 3290
<u>Sterile Polyamide Synthetic Suture</u>				
W1618T	1.0	45cm	19mm P needle curved reverse cutting	3866
<u>Sterile Polyamide 6 Suture, Monofilament</u>				
● W507	0.7	45cm	(black) 15mm slim blade curved cutting	<b>pack of 12</b> 1855
● W539	1.5	45cm	(blue) 25mm slim blade curved cutting	2190
W319	1.5	45cm	(blue) 19mm curved reverse cutting	1302
W320	2.0	45cm	(blue) 26mm curved reverse	1346
W1615T	0.7	45cm	(black) 16mm P needle curved cutting	<b>pack of 24</b> 3780
<u>Sterile Polyamide 66 Suture, Braided</u>				
W5414	3.5	1m	(black) 50mm tapercut half circle heavy	<b>pack of 12</b> 1863
<u>Sterile Polypropylene Suture, Monofilament</u>				
W8020T	1.5	45cm	(blue) 26mm P needle curved cutting	<b>pack of 24</b> 4461

- These products are no longer available from the manufacturer but will remain reimbursable until such time that stocks run out or the product expiry dates are passed.

## SKIN ADHESIVES, STERILE

<i>Dermabond</i>		0.5ml	1036
● <i>Epiglu</i>		Four vials (containing approx 80 applications)	9500
<i>Histoacryl</i>		0.2g	641
		0.5g	650
<i>Histoacryl L</i>		0.2g	620
		0.5g	672
<i>Indermil</i>		0.5g	650
<i>LiquiBand</i>	- Tissue Adhesive	0.5g	550
	- Flow Control Tissue Adhesive	0.5g	550

*Note: These items are specifically for personal administration by the prescriber.*

- This product is no longer available from the manufacturer but will remain reimbursable until such time that stocks run out or the product expiry dates are passed.

## SKIN CLOSURE STRIPS, STERILE

<i>Leukostrip</i>	Code No. 2952	6.4mm x 76mm 3 strips per env.	<b>Pack of 10 envelopes</b> 557
<i>Steri-strip</i>	Code No. GP 41	6mm x 75mm 3 strips per env.	<b>12 envelopes</b> 852

*Note: These items are specifically for personal administration by the prescriber.*



---

**APPLIANCES**


---

**SWABS** (see note \* below on sterile swabs)

*N.B. The exact number of single swabs ordered by the prescriber is to be dispensed.(see also Note (ii) below)*

**Gauze Swabs**

<b>Gauze Swab Type 13 Light BP 1988, Sterile*</b>	7.5cm sq	<b>pkt</b>
Sterile swabs of folded 8-ply undyed gauze	5 pads per pkt	36

<b>Gauze Swab Type 13 Light BP 1988, Non Sterile</b>	10cm sq	<b>pkt</b>
Swabs of folded 8-ply undyed gauze	100 pads per pkt	573

<b>Filmated Gauze Swab BP 1988 Non Sterile</b>	10cm sq	<b>pkt</b>
A thin layer of absorbent cotton enclosed within Absorbent Cotton Gauze Type 13 Light BP 1988 8-ply	100 pads per pkt	787

**Non-Woven Fabric Swabs**

The labelling of each pack shall include:

The Title  
"Drug Tariff Specification" and number

<b>Non-Woven Fabric Swab, Sterile*</b>	7.5cm sq	<b>pkt</b>
Specification 28	5 pads per pkt	23

Sterile swabs of folded 4-ply non-woven fabric. These swabs are an alternative to gauze swabs, Type 13 Light BP 1988 sterile.

<b>Non-Woven Fabric Swab, Non Sterile</b>	10cm sq	<b>pkt</b>
Specification 28	100 pads per pkt	269

Swabs of folded 4-ply non woven fabric.

These swabs are an alternative to gauze swabs, Type 13 Light BP 1988, for general and cleansing purposes.

<b>Filmated Non-Woven Fabric Swab Non-Sterile</b>	10cm sq	<b>pkt</b>
(Regal) Specification 29	100 pads per pkt	582

Swabs of folded 8-ply non-woven viscose fabric containing a film of viscose fibres to increase absorbency. These swabs are an alternative to Filmated Gauze Swabs BP 1988 for general swabbing and cleansing purposes.

\*Notes: Sterile Swabs

(i) *These sterile dressings are to be supplied in packs of 5 swabs 7.5cm square in a sealed packs as received from the manufacturer, supplier or wholesaler. They should not be confused with the non-sterile 10cm size in packets of 100 swabs used for general swabbing purposes.*

(ii) *The exact number of sterile swabs ordered are to be supplied except for orders not in multiples of 5 (See Note 2 page 109). A packet to be used for each sterile dressing operation; unused swabs to be discarded as unsterile.*

**SYNOVIAL FLUID**

		<b>each</b>
<i>Durolane</i>	Box containing 1 pre-filled 3ml syringe	19200
<i>Fermathron</i>	Box containing 1 pre-filled 20mg/2ml syringe	3900
<i>Orthovisc</i>	Box containing 1 pre-filled 2ml syringe	6500
<i>Ostenil</i>	Box containing 1 pre-filled 20mg/2ml syringe	3000
<i>Suplasyn</i>	Box containing 1 pre-filled 20mg/2ml syringe	3550
	Box containing 1 vial 20mg/2ml	3550
<i>Synvisc (Hylan G-F20)</i>	Box containing 3 pre-filled 2ml syringes (1 treatment)	20500

IXA

---

**APPLIANCES**


---

Appliance		Order No.	
<b>SYRINGES</b>		<b>each</b>	
Bladder/Irrigating	100ml	393	
Ear Syringe	60ml approx	178	
Enema Higginson's:		574	
Spare Vaginal Pipes	Plastics or rubber, straight 15cm	46	
<b>TEST TUBES</b>	12.5cm x 16mm	11	
<b>TRACHEOSTOMY AND LARYNGECTOMY APPLIANCES</b>			
<b>Tracheostomy Breathing Aids</b>			
<i>Blom-Singer Truseal Humidifier System</i>			
Filter and heat and moisture exchanger comprising of a holder and foam filters can be attached with adhesive housing.			
Blom-Singer Truseal Humidifier Holder	BE1060	1324	
Replacement Foam Filters (normal resistance)	BE1070/1080	97	
Adhesive Housing (Baseplates)	BE6053/6054	207	
Blom-Singer Humidifier ATSV Cap and 7 Foam Filters	BE1010	1731	
Replacement Foam Filter for ATSV (normal resistance)	BE1020/1030	97	
<i>Humistom Stoma Button/Stud and HPC Filter (Nasal Restoration System)</i>			
HPC Filter Normal to low resistance	HSF1	290	
Humistom Stoma Button/Stud	size 10	HS1-L10	1000
Standard Length 20mm	size 12	HS1-L12	1000
	size 14	HS1-L14	1000
Short Length 14mm	size 10	HS1-S10	1000
	size 12	HS1-S12	1000
	size 14	HS1-S14	1000
<i>Provox FreeHands HME System</i>			
Filter Cassette		7712	211
Replacement Kit	Light	7716	20150
(Device & Fitted Membrane)	Medium	7717	20150
	Strong	7721	20150
Replacement Membrane	Light	7713	4615
	Medium	7714	4615
	Strong	7715	4615
Silicone Glue (for use with Flexiderm adhesive)		7720	2340
<i>Provox HME System ("Stomafilter")</i>			
Flexiderm adhesive round	(Transparent with strong adhesive)	7253	271
Flexiderm adhesive oval		7254	271
Optiderm adhesive round	(Skin coloured, hydrocolloid for sensitive skin)	7255	446
Optiderm adhesive oval		7256	446
Regular adhesive round	(Transparent, normal adhesive)	7251	175
Regular adhesive oval		7252	175
Normal filter cassette	(Normal resistance)	7240	164
Hiflow filter cassette	(Low resistance for sport and first time users)	7241	175
<i>Purifoam Laryngectomy Filters</i>		CR3853	36
<i>Saint Marina Safety Net</i>			
Air filter and humidifier		SMSN	160

## APPLIANCES

Appliance			Order No.	Basic Price p
<b>Trachi-Naze Nasal Restoration System</b>				
Blue Filter (Night filter)	resistance level	-2 to -3kPas 1 <sup>-1</sup>	LANNZ 0001A	156
Green Filter (Day filter)	resistance level	-1 to 2kPas 1 <sup>-2</sup>	LANNZ 0002A	156
Orange Filter (Active filter)	resistance level less than	- 1kPas 1 <sup>-1</sup>	LANNZ 0003A	156
<b>Baseplate</b>				
Hydrocolloid	(small)		LANNZ 0004A	245
Hydrocolloid	(large)		LANNZ 0005	261
Non-Woven Adhesive	(large)		LANNZ 0006	261
Clear Adhesive Waterproof Film	(round)		LANNZ 0007	256
Hands Free Valve (for replacement only)			LATNV 1001	900
<b>Trachi-Naze Plus Nasal Restoration System</b>				
<b>Trachi-Naze Plus Filters</b>				
Blue (Night Filter)	resistance level	-2 to 3kPas 1 <sup>-1</sup>	LATNP 1001	155
Green (Day Filter)	resistance level	-1 to 2kPas 1 <sup>-2</sup>	LATNP 1002	155
Orange (Active Filter)	resistance level	-1kPas 1 <sup>-1</sup>	LATNP 1003	155
<b>Trachi-Naze Plus Stoma Stud</b>				
Short Length 14.5mm	size 8		LATNP 2001	1035
	size 10		LATNP 2002	1035
	size 12		LATNP 2003	1035
	size 14		LATNP 2004	1035
	size 16		LATNP 2005	1035
Long Length 22.5mm	size 8		LATNP 3001	1035
	size 10		LATNP 3002	1035
	size 12		LATNP 3003	1035
	size 14		LATNP 3004	1035
	size 16		LATNP 3005	1035
<b>Tracheostomy Brushes</b>				
<b>pack of 2</b>				
Tracheo Cleaning Brush (Kapitex)	8mm		TR ACC 0001	339
	10mm		TR ACC 0002	339
	12mm		TR ACC 0003	339
	14mm		TR ACC 0004	339
<b>Tracheostomy Dressings - Sterile</b>				
<b>each</b>				
Advadress 'T'		80mm x 80mm	CR3854	64
Metalline		8cm x 9cm		49
Trachi-Dress	Small	60mm x 82mm	TR DRE 0001	66
	Large	80mm x 100mm	TR DRE 0002	66
<b>Tracheostomy Tube Holders</b>				
EMS Adjustable Tracheostomy Tube Holder with Elasticated Cough Strip			T550	265
Insight 2 Piece Adjustable Latex Free Tracheostomy Tube Holder	Adult		TH100	240
	Child		TH150	240
	Trachi-Hold	Adult	TR ACC 0012	295
	Child	TR ACC 0014	295	

IXA

---

**APPLIANCES**


---

Appliance		Order No.	Basic Price p
<b>Tracheostomy and Laryngectomy Protectors</b>			
<i>Buchanan Protector</i>			
(Laryngectomy - Permanent tracheostomy)			<b>pack of 10</b>
Small			3202
Large			3474
<i>Buchanan DeltaNex Protector</i>			
(Laryngectomy - Permanent tracheostomy)			
Small			3236
			<b>pack of 2</b>
<i>Cascade Shower Protector</i>		AS/3835	740
			<b>pack of 10</b>
<i>Hirst Protector</i>			2885
<i>Laryngofoam</i>		<b>each</b>	<b>pack of 30</b>
flesh or white	5.1cm x 6.2cm		1146
	4mm thick		
flesh	6.3cm x 6.5cm	38	1146
<i>Sofnex Laryngectomy Shield</i>			<b>pack of 10</b>
(contains 2 neckbands)			
Beige		CR3860	3020 ▽
Blue		CR3859	3020 ▽
White		CR3856	2900
<i>Sofshield Laryngectomy Protectors</i>			
(Laryngectomy - Permanent tracheostomy)			
White	Small	AS3698	2890
	Large	AS3669	3200
Beige	Small	AS3778	3016
	Large	AS3765	3400
Blue	Small	AS3777	3016
	Large	AS3764	3400
<i>Wet Protect</i>			<b>pack of 2</b>
		TWP2	852
<b>Voice Prosthesis Cleaning Brush</b>			<b>pack of 10</b>
<i>Voiceline</i>		LA PCB 0003	800

**TRUSSES**

(See Part 1, Clause 2 page 3)

Before the prescription can be dispensed three details must be given by the prescriber:

- (i) Single, or double, and the side, if single
- (ii) Position, eg. Inguinal; Scrotal
- (iii) Type, eg. Spring truss; Elastic band truss

In the event of a dispute between the patient and the pharmacy or the appliance contractor about whether the truss supplied is satisfactory, the doctor's decision shall be binding.

<b>Spring Truss</b>		<b>each</b>
Specification 31(a)		
Spring Trusses shall conform to the British Standard 2930:		
1970 for Surgical Spring Trusses		
Inguinal	Single	2917
	Double	4070
Inguinal Rat-tail	Single	3592
	Double	5368
Femoral	Single	3222
	Double	4985

## APPLIANCES

Appliance	Size or Weight	Basic Price p
Scrotal	Single	3592
	Double	5368
Double Inguinal/Scrotal		5161
Back Pad, fixed or sliding (if ordered)	extra	828
Slotted, polished Spring Ends (if ordered)	Single Extra	420
	Double Extra	848
"Special" Trusses	Single Extra	929
- conforming to the requirements in Specification 31b	Double Extra	1835
<i>NB:Requirement for a "Special" Truss should normally be confirmed by the prescriber.</i>		
Replacements and repairs:-		
Understrap for Inguinal or Femoral Trusses		256
<b>Elastic Band Truss</b>		
Specification 31b		
Elastic Band Trusses shall conform to the British Standard		
3271: 1970 for Surgical Elastic Band Trusses		
		<b>each</b>
Inguinal	Single	1981
	Double	3300
Scrotal	Single	2062
	Double	3358
Umbilical, Single Belt	Single	2249
Double Belt where specified by prescriber	Double	3063
"Special" Trusses	Single Extra	582
- conforming to the requirements in Specification 31b	Double Extra	844
<i>NB:Requirement for a "Special" Truss should normally be confirmed by the prescriber</i>		

IXA

URINALS, PORTABLE - (see Part IXB)

## VACUUM PUMPS AND CONSTRICTOR RINGS FOR ERECTILE DYSFUNCTION

The following products may be ordered on a prescription form (ie prescribed "on the NHS") only if the patient is a person of a description mentioned in column 1 of the prescribing restrictions note below, and for the purpose specified in column 2 of that note, and if the prescriber endorses the face of the prescription form with the reference "SLS".

Vacuum Pumps		each
Euro Surgical Ltd		
<i>Pos-T-Vac</i>	AVP1000 Battery Operated	12700
	MVP 700 Manual	9800
Farnhurst Medical Ltd		
<i>Elite</i>	ES101	13500
<i>Elite Plus with gauge</i>	EG105	16000
<i>Elite Plus 2 with limiter</i>	EL108	16000
Genesis Medical Ltd		
<i>Active II with limiter</i>	0100 Battery Operated	14900
<i>Impulse with limiter</i>	0102 Manual	11900
Healthcare 2000 Ltd		
<i>E.I.D. Erection Inducer Device</i>		14900
iMedicare Ltd		
<i>SomaCorrect</i>	15080	15900
<i>SomaCorrect Xtra</i>	15111	17900
<i>SomaErect Response II</i>	15019	16081
<i>SomaErect Response II - XL</i>	15888	16081
<i>SomaErect Touch II</i>	15013	16900

## APPLIANCES

Appliance	Order No.	Basic Price p
Mediwatch UK Ltd		
<i>ErectEase</i>	S0001	9400
Osbon Medical UK		
<i>Osbon ErecAid Classic</i>	XX-02	9900
<i>Osbon ErecAid Esteem</i>	XX-50	17900
Owen Mumford Ltd		
<i>Rapport Classic</i>	SM2000	10334
<i>Rapport Premier</i>	SM2200	15761
Vetco UK		
<i>Vetex Pump System</i>	001 Manual	9500
<b>Constrictor Rings - to maintain an erection</b>		
Euro Surgical Ltd		
<i>Constrictor Ring</i>		968
Farnhurst Medical Ltd		
<i>Constriction Rings (pack of 5 rings)</i> Sizes 1-5	ECR01	2000
Size 1	ECR01/1	2000
Size 2	ECR01/2	2000
Size 3	ECR01/3	2000
Size 4	ECR01/4	2000
Size 5	ECR01/5	2000
<i>Applicator and cone set with 5 different sized rings</i>	ECA02	2400
Genesis Medical Ltd		
<i>Asset</i>		
Set of 5 different rings, loading cone, and holding cylinder for maintaining an erection	0105	2400
<i>Genesis constriction ring</i>		
Single ring for use with erection assistance devices 0110B, 0110C, 0110D, 0110E, 0110F,	Sizes B,C,D,E,F	700
Healthcare 2000 Ltd		
<i>Confidence Rings</i>		
Starter pack of 2 Rings (1x Regular, 1x Firm)		2400
Firm x 2 Rings (Pink)		2900
Regular x 2 Rings (Natural)		2900
iMedicare Ltd		
<i>Assist Erection Maintenance System</i>	15109	2700
<i>Select Erection Maintenance Ring Set (Set of 3 rings)</i>	15230	2900
<i>SureEase Erection Maintenance Ring Set</i>	15085	3200
<i>Ultimate Erection Maintenance Ring Set</i>	15222	3400
<i>Ultra Erection Maintenance Ring Set</i>	15444	3400
Mediwatch UK Ltd		
<i>ErectAssist</i>		
Set of 3 retention rings, loading cone, transfer collar and lubricating gel	S0007	2300
<i>Retention Rings</i>		
Set of 3 retention rings		
25mm	S0101A	2100
32mm	S0101B	2100
40mm	S0101C	2100
1 of each of the above sizes	S0101	2100
Owen Mumford Ltd		
<i>Rapport Ring Loading System</i>		
Set of 5 different sized rings, loading cone and transfer sleeves for maintaining an erection	SM2220	2065
Vetco UK Constriction Rings		
<i>White C-Flex</i> (small, medium, large)	VA005	650
<i>Mentor</i> (medium, large)	VA006	1000
<i>Comfort</i> (one size fits all)	VA007	1000

## APPLIANCES

Appliance	Size or Weight	Basic Price p
-----------	----------------	---------------

**PRESCRIBING RESTRICTIONS APPLYING TO VACUUM PUMPS AND CONSTRICTOR RINGS FOR ERECTILE DYSFUNCTION**

The products listed may be ordered on a prescription form (ie prescribed "on the NHS") only if the patient is a person of a description mentioned in column 1 below, and for the purpose specified in column 2, and if the prescriber endorses the face of the prescription form with the reference "SLS".

- | Patient   | Purpose                            |
|---|------------------------------------|
| (a) a man who is suffering from any of the following -<br>diabetes<br>multiple sclerosis<br>Parkinson's disease<br>poliomyelitis<br>prostate cancer<br>severe pelvic injury<br>single gene neurological disease<br>spina bifida<br>spinal cord injury; or | Treatment of erectile dysfunction. |
| (b) a man who is receiving treatment for renal failure by dialysis; or  |                                    |
| (c) a man who has had the following surgery -<br>prostatectomy<br>radical pelvic surgery<br>renal failure treated by transplant.  |                                    |

IXA

**VAGINAL DILATORS**

<i>Amielle Comfort</i> (Owen Mumford Ltd)	SM2100	per kit 3400
--	--------	-----------------

**VAGINAL MOISTURISERS**

- |   |  |                               |
|---|--|-------------------------------|
| ● <i>Replens MD</i>   | 3 dose pack<br>6 dose pack<br>35g tube | per pack<br>282<br>452<br>452 |
| ● Please note: For reimbursement purposes Replens MD should not be confused with the product Replens listed in Drug Tariff Part XVIII A - Drugs and other substances not to be prescribed under the NHS Pharmaceutical Services |  |                               |

**VENOUS ULCER COMPRESSION SYSTEM**

Product	Description	per pack
<i>Activa Leg Ulcer Hosiery Kit</i> (Activa Healthcare)	Medical Stocking & Compression Liner (pack contains 1 stocking and 2 liners) Small, Medium, Large, Extra Large, Extra Extra Large	1999
<i>Jobst UlcerCare</i> (BSN medical Ltd)	Liner pack (pack contains 3 liners) Small, Medium, Large, Extra Large, Extra Extra Large Medical Stocking & Compression Liner (pack contains 1 stocking and 1 liner)	1499 Small 2961 Medium 2961 Large 2961 Extra Large 2961
<i>SurePress Comfort Pro</i> (ConvaTec Ltd)	Graduated Compression System (pack contains 1 stocking and 1 liner)	Small 1788 Medium 1788 Large 1788 Extra Large 1788
<i>Ulcertec</i> (Bauerfeind UK)	Medical Stocking & Compression Liner (pack contains 1 stocking & 2 liners) Short (Small, Medium or Large) Long (Small, Medium or Large)	Small 2748 Medium 2748 Large 2748 Extra Large 2748 2710 2710

---

**APPLIANCES**

---

This Page is Intentionally Blank



---

**INCONTINENCE APPLIANCES**


---

**INCONTINENCE APPLIANCES**

1. Prescribers and suppliers should note that products not included in the list are not prescribable (See Part 1 Clause 2). Attention is drawn particularly to the information on the average life-in-use of each type of product which, together with the pack size, should enable prescribers to calculate their patients' requirements with reasonable accuracy.
2. Only basic information on each product has been provided and prescribers may on occasions wish to seek further information about certain products eg when assessing a patient for the first time. If so, this is always available from the manufacturers (addresses and telephone numbers are given at the end of the entry). Information may also be sought from community nurses and community pharmacists. Where possible manufacturers/suppliers' order code numbers have been shown but prescribers should note that the order numbers shown are not necessarily the full codes for the appliances they wish to order. This is particularly true of urinal systems where additional code numbers are usually necessary to denote variations from the basic design and individual sizes.
3. Prescribers are reminded that incontinence pads (including products not necessarily described as such but using the absorption principle), incontinence garments, skin wipes and occlusive devices such as female vaginal devices and male penile clamps are not prescribable under the Drug Tariff provisions.

**List of components and accessories**

	<b>Page</b>
Anal Plugs	186
Catheter Valves	186
Drainable Dribbling Appliances	187
Faecal Collectors	187
Incontinence Belts	187
Incontinence Sheaths	188
Incontinence Sheath Fixing Strips and Adhesives	194
Leg Bags	196
Night Drainage Bags	202
Suspensory Systems	205
Tubing and Accessories	206
Urinal Systems	209

IXB

**Manufacturers' Addresses and Telephone Numbers****224**

---

**INCONTINENCE APPLIANCES**


---



---

**ANAL PLUGS**


---

**Warning: This product should not be used without assessment by an appropriate medical professional.**

Manufacturer	Appliance	Order No.	Quantity	List Price p
Coloplast Ltd	Peristeen Anal Plug (formerly Conveen Anal Plug)			
	Small	1450	20	4295
	Large	1451	20	4288

---

**CATHETER VALVES**


---

**Warning: This product should not be used without assessment of bladder function by an appropriate medical professional.**

**Indications:** For use with an indwelling urethral catheter.

**Contraindications:**

Reduced bladder capacity  
 No bladder sensation  
 Cognitive impairment  
 Insufficient manual dexterity to operate the Catheter Valve

**Note:** *It is recommended that the Catheter Valve is changed every 5 - 7 days.*

**The following symbols are used in this section**

S Sterile

Manufacturer	Appliance	Order No.	Quantity	List Price p
Bard Ltd	Flip-Flo catheter valve	BFF5	5	1271
Coloplast Ltd	Simpla Catheter Valve	T180	5	1269
Flexicare Medical Ltd	E-Z Flow Catheter Valve	00-0060	5	1101
Jade- Euro-Med Ltd	S Euro Catheter Valve	JECV	5	1197
L.IN.C. Medical Systems Ltd	S CareVent Duo Catheter Valve	08.9801	5	1186
Mentor Medical Ltd	Uro-Flo Catheter Valve	WS856-01-A	5	1222
<b>Catheter Valve with Integral Bag</b>				
Jade-Euro-Med Ltd	S Euro Bag with duel tap	JEDT	10	2884

**INCONTINENCE APPLIANCES****DRAINABLE DRIBBLING APPLIANCES**

Bags or pouches which use absorptive material to soak up urine are not prescribable.

*Note: The appliances listed below may be re-used, on average, for at least a month.*

Manufacturer	Appliance	Order no	Quantity	List Price p
Jade-Euro-Med Ltd	Dribbling bag with loops and tapes	Fig 18	1	1853
	Drip Male Urinal with tap	M 100	1	4979
	Replacement belt for M100	JB 100	1	1228
Ward Surgical Appliance Co	Male Dribbling bag with diaphragm and belt	WM60	1	2792

**FAECAL COLLECTORS**

Manufacturer	Appliance	Order No.	Quantity	List Price p
Hollister Ltd	Hollister Faecal Collector			
	500ml	9822	10	4310
	1000ml	9821	10	4310

**INCONTINENCE BELTS****IXB**

*Note: Average Life-in-Use - 6 Months*

Manufacturer	Appliance	Order No.	Quantity	List Price p	
DBT Medical Ltd (Formerly Rusch UK)	Waist and support for Kipper bag	LM 886103	1	686	
Jade-Euro-Med Ltd	Waist belt for Kipper bags	KBWB	1	592	
	37mm webbing/elastic waistbelt for use with Jade-Euro-Med appliances	WB	1	613	
Mentor Medical Ltd	Web belt	86cm	WS105-91-34	1	1202
		91cm	WS105-91-36	1	1202
		97cm	WS105-91-38	1	1202
		102cm	WS105-91-40	1	1202
		107cm	WS105-91-42	1	1202
		112cm	WS105-91-44	1	1202
		86cm	WS106-01-34	1	1202
		91cm	WS106-01-36	1	1202
		97cm	WS106-01-38	1	1202
		102cm	WS106-01-40	1	1202
		107cm	WS106-01-42	1	1202
		112cm	WS106-01-44	1	1202
				WS107-01-G	1
Rusch UK see DBT Medical Ltd					
Ward Surgical Appliance Co	Waist belt for black Kipper bag	WM62	1	513	
	Rubber belt for PP Urinal	WM63	1	444	

---

**INCONTINENCE APPLIANCES**


---



---

**INCONTINENCE SHEATHS**


---

The incontinence sheaths (also known as penile sheaths and external catheters) listed below, are, except where indicated, of the soft, flexible, latex type. Sheaths are available with and without fixing devices which may be applied externally (around the outside of the sheath) or internally (around the penis between the skin and the sheath). A list of fixing devices and other adhesion products is included in 'Incontinence Sheath Fixing Strips & Adhesives'.

**Note:** Each Sheath may be left in place for 1 to 3 days between changes.

The following symbols are used in this section

- ⊗ Non-adhesive sheath without liner
- ⊙ Sheath with self-adhesive liner
- ‡ Sheath with separate double-sided adhesive strip
- ≡ Sheath with separate single-sided adhesive strip

Manufacturer	Appliance	Order No.	Quantity	List Price p
Bard Ltd	Encompass			
	Latex free self-adhesive penile sheath			
	24mm	BLFS24	30	4473
	28mm	BLFS28	30	4473
	30mm	BLFS30	30	4473
	32mm	BLFS32	30	4473
	35mm	BLFS35	30	4473
	Reliasheath latex free penile sheath (including adhesive strip)			
	24mm	D523LF	30	4380
	28mm	D524LF	30	4380
	30mm	D525LF	30	4380
	32mm	D526LF	30	4380
	35mm	D527LF	30	4380
	Latex free penile sheath			
	24mm	U523LF	30	2747
	28mm	U524LF	30	2747
	30mm	U525LF	30	2747
	32mm	U526LF	30	2747
	35mm	U527LF	30	2747
	⊗ Uro sheath (washable - may be re-used many times) small (32mm), medium (38mm) large (41mm)		1502	1
Beambridge Medical	‡ Beambridge Urinary Sheath			
	Small	6-65(20mm)	30	4537
	Medium	6-65(25mm)	30	4537
	Large	6-65(30mm)	30	4537
	Extra Large	6-65(35mm)	30	4537
CliniMed Ltd	BioDerm ECD (Circular)	20006	1	790
	BioDerm XLS (Oval)	20026	1	790
Coloplast Ltd	⊙ Conveen Security + self-sealing Urisheath (non-latex) with Anti-kink Design			
	extra small	5221	30	4840
	small	5225	30	4840
	medium	5230	30	4840
	large	5235	30	4840
	extra large	5240	30	4840

---

**INCONTINENCE APPLIANCES**


---



---

**INCONTINENCE SHEATHS**


---

Manufacturer	Appliance	Order No.	Quantity	List Price p
Coloplast Ltd	○ Conveen Security + Easifit Shorter length self sealing Urisheath (non-latex) with Anti-kink Design			
	extra small (dia 21mm)	22011	30	4866
	small (dia 25mm)	22012	30	4866
	medium (dia 30mm)	22013	30	4866
	large (dia 35mm)	22014	30	4866
	‡ Conveen Security + Sheath (non-latex) with Anti-kink Design (including Uriliner adhesive strip)			
	extra small	5021	30	4890
	small	5025	30	4890
	medium	5030	30	4890
	large	5035	30	4890
	extra large	5040	30	4890
	○ Conveen self-sealing Urisheath			
	extra small	5212	30	4926
	small	5200	30	4926
	medium	5205	30	4926
	large	5210	30	4926
	extra large	5215	30	4926
	‡ Conveen Urisheath/Uriner			
	very small	5120	30	4980
	small	5125	30	4980
	medium	5130	30	4980
	large	5135	30	4980
	ex- large	5140	30	4980
	○ Aquadry Freedom Sheath (Self-adhesive)			
	small (dia 23mm)	786268	30	4746
	medium (dia 28mm)	786276	30	4746
	standard (dia 31mm)	786280	30	4746
	large (dia 35mm)	786284	30	4746
	extra large (dia 40mm)	786288	30	4746
	○ Aquadry Freedom Plus Sheath (Self-adhesive) (Shorter length)			
small (dia 23mm)	786292	30	4746	
medium (dia 28mm)	786306	30	4746	
standard (dia 31mm)	786310	30	4746	
large (dia 35mm)	786314	30	4746	
extra large (dia 40mm)	786318	30	4746	
○ Clear Advantage Silicone Sheath (Self-adhesive)				
small (dia 23mm)	786187	30	4722	
medium (dia 28mm)	786195	30	4722	
standard (dia 31mm)	786225	30	4722	
large (dia 35mm)	786233	30	4722	
extra large (dia 40mm)	786241	30	4722	

IXB

---

**INCONTINENCE APPLIANCES**


---



---

**INCONTINENCE SHEATHS**


---

Manufacturer	Appliance	Order No.	Quantity	List Price p
DBT Medical Ltd (Formerly Rusch UK)	‡ Dryaid Penile Sheath (including adhesive strip)			
	small	AL834021	20	2853
	medium	AL834022	20	2853
	large	AL834023	20	2853
	ex-large	AL834024	20	2853
	⊗ Dryaid Penile Sheath (without adhesive strip)			
	small	AL861021	20	1653
	medium	AL861022	20	1653
	large	AL861023	20	1653
	ex-large	AL861024	20	1653
	‡ Portasheath			
	25mm	800046	25	2320
	30mm	800047	25	2320
35mm	800048	25	2320	
Fry Surgical International Ltd	‡ Uridom (including adhesive strip)	476-413-130	30	2707
Hollister Ltd	○ CV (non-latex, self-adhesive sheath) (Standard Length)			
	25mm	9306	30	4747
	29mm	9307	30	4747
	32mm	9309	30	4747
	36mm	9308	30	4747
	41mm	9305	30	4747
	(Brief Length)			
	25mm	9316	30	4747
	29mm	9317	30	4747
	32mm	9319	30	4747
	36mm	9318	30	4747
	41mm	9315	30	4747
	○ Self Adhesive Sheath			
	22-25mm	9636	30	4683
	26-30mm	9637	30	4683
31-35mm	9639	30	4683	
36-39mm	9638	30	4683	
Hospital Management and Supplies Ltd	≡ Macrodom (including adhesive strip)			
	with O 51mm tube	GS7654	30	2230
	with O 127mm tube	GS7655	25	2333
Jade-Euro-Med Ltd	⊗ Jade Naturaflex Clear Non-Adhesive Sheath			
	25mm (small)	M410	30	4471
	29mm (medium)	M420	30	4471
	32mm (intermediate)	M430	30	4471
	36mm (large)	M440	30	4471
	○ Jade Ultra Flex Clear Sheath (Self-adhesive)			
	small	M510	30	4471
	medium	M520	30	4471
	intermediate	M530	30	4471
	large	M540	30	4471
	ex-large	M550	30	4471

---

**INCONTINENCE APPLIANCES**


---



---

**INCONTINENCE SHEATHS**


---

Manufacturer	Appliance	Order No.	Quantity	List Price p
Manfred Sauer GmbH	○ Comfort Plus Latex Free Urinary Sheath with hydrocolloid double sided adhesive liner			
	Dia 18	56.18	30	4617
	Dia 20	56.20	30	4617
	Dia 22	56.22	30	4617
	Dia 24	56.24	30	4617
	Dia 26	56.26	30	4617
	Dia 28	56.28	30	4617
	Dia 30	56.30	30	4617
	Dia 32	56.32	30	4617
	Dia 35	56.35	30	4617
	Dia 37	56.37	30	4617
	Dia 40	56.40	30	4617
	⊗ Comfort Sheath (in 11 sizes) + Residual Free removal and Anti-Blow-Back system			
	Paediatric (dia 18mm)	53.18	30	2335
	Small - (dia 20mm)	53.20	30	2335
	Small (dia 22mm)	53.22	30	2335
	Small + (dia 24mm)	53.24	30	2335
	Medium - (dia 26mm)	53.26	30	2335
	Medium (dia 28mm)	53.28	30	2335
	Medium + (dia 30mm)	53.30	30	2335
	Large - (dia 32mm)	53.32	30	2335
	Large (dia 35mm)	53.35	30	2335
	Large + (dia 37mm)	53.37	30	2335
	Extra Large (dia 40mm)	53.40	30	2335
	⊗ Comfort Sheath Extra Thin for male retraction + Residual Free removal and Anti-Blow-Back system.			
	Medium - (dia 26mm)	53.26D	30	2335
	Medium + (dia 30mm)	53.30D	30	2335
	Large (dia 35mm)	53.35D	30	2335
	Extra Large (dia 40mm)	53.40D	30	2335
	⊗ K+ICS Sheath (plus 5 Sheath tip connectors) have special removable tips which enable the sheath to be expanded over the penis with a special sheath expander tool, to allow for clean intermittent self catheterisation (see Tubing and Accessories section of this publication for Manfred Sauer Sheath Expander order no. 100.01).			
	18mm	103.18	30	4698
	20mm	103.20	30	4698
	22mm	103.22	30	4698
	24mm	103.24	30	4698
	26mm	103.26	30	4698
	28mm	103.28	30	4698
	30mm	103.30	30	4698
	32mm	103.32	30	4698
	35mm	103.35	30	4698
	37mm	103.37	30	4698
	40mm	103.40	30	4698
	P-SURE Latex Free self-adhesive with Residual Free removal and Anti-Blow-Back system. Includes 1 free pubic hair protective cloth.			
	Paediatric (dia 18mm)	97.18	30	4389
	Small - (dia 20mm)	97.20	30	4389
	Small (dia 22mm)	97.22	30	4389
	Small + (dia 24mm)	97.24	30	4389
	Medium - (dia 26mm)	97.26	30	4389
	Medium (dia 28mm)	97.28	30	4389
	Medium + (dia 30mm)	97.30	30	4389
	Large - (dia 32mm)	97.32	30	4389
	Large (dia 35mm)	97.35	30	4389
	Large + (dia 37mm)	97.37	30	4389
	Extra Large (dia 40mm)	97.40	30	4389

IXB

---

**INCONTINENCE APPLIANCES**


---



---

**INCONTINENCE SHEATHS**


---

Manufacturer	Appliance	Order No.	Quantity	List Price p
Mentor Medical Ltd	⊗ Incontinence Sheath			
	Small	WS165-01-F	1	161
	Medium	WS165-03-K	1	161
	Large	WS165-05-P	1	161
	Ex-large	WS165-07-T	1	161
	○ Freedom Transfix Silicone Sheath, Style 1 self adhering - wide adhesive band			
	25mm	TF12530	30	4474
	29mm	TF12930	30	4474
	32mm	TF13230	30	4474
	36mm	TF13630	30	4474
	41mm	TF14130	30	4474
	○ Freedom Transfix Silicone Sheath, Style 2 self adhering - wide adhesive band			
	25mm	TF22530	30	4474
	29mm	TF22930	30	4474
	32mm	TF23230	30	4474
	36mm	TF23630	30	4474
	41mm	TF24130	30	4474
	○ Freedom Transfix Silicone Sheath, Style 3 self adhering - extra wide adhesive band			
	25mm	TF32530	30	4474
	29mm	TF32930	30	4474
	32mm	TF33230	30	4474
	36mm	TF33630	30	4474
	41mm	TF34130	30	4474
‡ Uro Flo Sheath (including adhesive strip)				
Small	WS166-01-K	30	4366	
Medium	WS166-02-M	30	4366	
Large	WS166-03-P	30	4366	
‡ Uro Flo Sheath Mk 2				
Small	WR166-01-N	30	4366	
Medium	WR166-02-Q	30	4366	
Large	WR166-03-S	30	4366	
⊗ Male Incontinence Sheath	48-232-14	100	7233	
North West Medical Supplies Ltd	⊗ Uridrop Incontinence Sheath			
	Size 1 (70mm)	30/80	30	1270
	Size 2 (80mm)	30/81	30	1270
	Size 3 (100mm)	30/82	30	1270
	Size 4 (107mm)	30/83	30	1270
	Size Paed 42mm	30/60	30	1270
	Size Paed 55mm	30/61	30	1270
	‡ Uridrop Incontinence Sheath and Uristrip Adhesive Strip			
	Size 1 (70mm)	8480	30	2540
	Size 2 (80mm)	8481	30	2540
	Size 3 (100mm)	8482	30	2540
	Size 4 (107mm)	8483	30	2540
	Size Paed 42mm	8460	30	2540
	Size Paed 55mm	8461	30	2540
S G & P Payne Supplies Ltd	⊗ Incontinence Penile Sheath			
	20mm	1111	1	95
	25mm	1112	1	95
	30mm	1113	1	95
	35mm	1114	1	95
	40mm	1115	1	95
	‡ with adhesive strip			
	20mm	1116	10	1512
	25mm	1117	10	1512
	30mm	1118	10	1512
	35mm	1119	10	1512
	40mm	1120	10	1512



---

**INCONTINENCE APPLIANCES**


---



---

**INCONTINENCE SHEATHS**


---

Manufacturer	Appliance	Order No.	Quantity	List Price p
Rochester Medical Corporation	○ Natural Silicone Sheath (self-adhesive)			
	25mm	31301	30	4471
	29mm	31302	30	4471
	32mm	31303	30	4471
	36mm	31304	30	4471
	41mm	31305	30	4471
	○ Pop-On Silicone Sheath (self-adhesive)			
	25mm	32301	30	4471
	29mm	32302	30	4471
	32mm	32303	30	4471
	36mm	32304	30	4471
	41mm	32305	30	4471
	○ Wide Band Silicone Sheath (self-adhesive)			
	25mm	36301	30	4471
	29mm	36302	30	4471
	32mm	36303	30	4471
36mm	36304	30	4471	
41mm	36305	30	4471	

Rusch UK see DBT Medical Ltd and Teleflex Medical

Salts Healthcare	‡ Heritage Cohesive/Sheath Pack				<b>IXB</b>
	17mm	ZL0023	30	3952 △	
	22mm	ZL0024	30	3952 △	
	25mm	ZL0025	30	3952 △	
	32mm	ZL0026	30	3952 △	
	34mm	ZL0027	30	3952 △	
	⊗ Male Continence Sheath				
	17mm	ZL0028	10	891 △	
	22mm	ZL0029	10	891 △	
	25mm	ZL0030	10	891 △	
	32mm	ZL0031	10	891 △	
34mm	ZL0032	10	891 △		
Teleflex Medical (formerly Rusch UK)	≡ Rusch Secure external catheter kit (including adhesive strip)				
	25mm diameter	4000025	10	950	
	30mm diameter	4000030	10	950	
The Kendall Company (UK) Ltd	‡ Texas Catheter (including adhesive strip)	8884-731300	12	864	

---

**INCONTINENCE APPLIANCES**


---



---

**INCONTINENCE SHEATH FIXING STRIPS & ADHESIVES**  
 (Available separately from sheaths)
 

---

The following symbols are used in this section

⬆	Double-sided adhesive strip
≠	Foam and Velcro
∞	For use with urinal systems
*	Safe for direct application on the skin

Manufacturer	Appliance	Order No.	Quantity	List Price p
Bio Diagnostics	⬆ Urifix Tape 5m	SU1	1	490
Camp Ltd	≠ Posey Sheath Holder			
	Adult	90500	12	1325
	Paediatric	6555	12	1020
Coloplast Ltd	⬆ Conveen Sheath Liners	5100	20	930
ConvaTec Ltd	⬆ Urihesive Strips	S120	15	716
DBT Medical Ltd (Formerly Rusch UK)	⬆ Dryaid Strip	AL832025	20	1200
Jade-Euro-Med Ltd	∞ Jade Velcro Foam Strap	M450	10	1176
JLJ Healthcare Ltd	⬆ Urifix Tape 5m	T115	1	634
Manfred Sauer GmbH	* Original Latex Skin Adhesive in a 28g tube with a long pipette/nozzle applicator	50.01	2	869
	* Pure Latex Skin Adhesive without any skin care components giving a stronger bond, in a 28g tube with a long pipette/nozzle applicator.	50.00	2	854
	* Lanolin Free Latex Skin Adhesive for people allergic to lanolin, in a 28g tube with a long pipette/nozzle applicator.	50.03	2	854
	* 50% reduction in skin care components, in a 28g tube with a long pipette/nozzle applicator.	50.05	2	854
	⬆ Comfort Plus hydrocolloid adhesive tape	50.14	30	1402
	* 2% Resin giving a stronger bond than the original adhesive 50.01, in a 28g tube with a long pipette/nozzle applicator. Should only be tried after 50.01 is found to be too weak.	50.20	2	854

---

**INCONTINENCE APPLIANCES**


---



---

**INCONTINENCE SHEATH FIXING STRIPS & ADHESIVES (Available separately from sheaths)**


---

Manufacturer		Appliance	Order No.	Quantity	List Price p
Manfred Sauer GmbH	*	12% Resin giving a stronger bond than the 2% resin adhesive 50.20, in a 28g tube with a long pipette/nozzle applicator. Should only be tried after 50.20 is found to be too weak.	50.22	2	854
	*	Synthetic Skin Adhesive in a 28g tube with a long pipette/nozzle applicator	50.36-2	2	1525
	*	Synthetic Skin Adhesive in a 45ml bottle with brush in the lid	50.36	1	1525
North West Medical Supplies Ltd	‡	Uristrip Adhesive Strip	30/84	30	1270
S G & P Payne	≠	Incontiaid Sheath Holder	1123	1	111
		Incontiaid Single Sided Adhesive Strips	1004	10	453
	‡	Adhesive Strips	1002	10	492
Rusch UK see DBT Medical Ltd					
Salts Healthcare	≠	Heritage Sheath Collar Pack	ZL0022	30	447 △

IXB

---

**INCONTINENCE APPLIANCES**


---



---

**LEG BAGS**


---

The leg bags listed are suitable for collection of urine from indwelling catheters or incontinence sheaths. They are intended for daytime use although the larger bags may have adequate capacity for overnight use by some patients. The bags may be worn in different positions on the leg and the intended position (eg thigh, knee or calf) will determine the length of the inlet tube. The bags are attached to the leg by means of straps (included with each pack) which are generally either latex or foam with velcro fasteners.

**Note:** Plastic leg bags identified in the list with an asterisk\* may on average be used for 5-7 days. With proper care and cleansing rubber leg bags are re-usable for 4-6 months.

**Symbols used in this section**

S These leg bags are supplied sterile. This does not affect the guidance given in the note at the beginning.

\* Plastics

W Due to the size and weight of these bags when full, this capacity of bag should be prescribed only for wheelchair-bound patients.

Manufacturer	Appliance	Order No.	Quantity	List Price p
Bard Ltd	S * Urisac Range: Shaped Leg Bags with tap outlet, overnight connector and elastic velcro straps			
	* 350ml, direct inlet	D3S	10	2794
	* 350ml, 30cm inlet tube	D3L	10	2769
	* 500ml, direct inlet	D5S	10	2815
	* 500ml, 10cm inlet tube	D5M	10	2825
	* 500ml, 30cm inlet tube	D5L	10	2825
	* 750ml, direct inlet	D7S	10	2835
	* 750ml, 10cm inlet tube	D7M	10	2835
	* 750ml, 30cm inlet tube	D7L	10	2835
	* 750ml, 38cm adjustable inlet tube	D7LX	10	2835
	S * Urisac Range: Leg Bags with push/pull outlet and foam velcro straps			
	* 350ml, long tube	7660	10	1482
	* 350ml, short tube	7661	10	1439
	* 500ml, long tube	7662	10	1610
	* 500ml, short tube	7663	10	1566
	* 750ml, long tube	7664	10	1722
	* 750ml, short tube	7665	10	1652
Beambridge Medical	Beambridge Leg Bags with 1 pair of Flexible leg bag straps			
	500ml short tube (10cm)	6-70	10	2702
	500ml long tube (30cm)	6-75	10	2702
CliniSupplies Ltd (formerly ProSys International Ltd)	S ProSys Sterile Leg Bags. Containing 1 pair of soft elasticated cotton velcro straps per box of 10			
	350ml short tube	P350S	10	2600
	350ml long tube	P350L	10	2600
	500ml short tube	P500S	10	2600
	500ml long tube	P500L	10	2600
	750ml short tube	P750S	10	2600
	750ml long tube	P750L	10	2600

## INCONTINENCE APPLIANCES

## LEG BAGS

Manufacturer	Appliance	Order No.	Quantity	List Price p
Coloplast Ltd	* Conveen Security+ leg bag 350ml			
	25cm tube	5164	10	2375
	50cm tube	5165	10	2375
	* Conveen Security+ leg bag 500ml			
	25cm tube	5160	10	2375
	50cm tube	5161	10	2375
S	25cm tube	5162	10	2525
S	50cm tube	5163	10	2525
	* Conveen Security+ leg bag 750ml			
	25cm tube	5166	10	2375
	50cm tube	5167	10	2375
	* Conveen Contour 600ml leg bag			
	(adjustable tube)	5170	10	2884
S	5cm inlet tube	5172	10	2884
S	30cm inlet tube	5173	10	2884
	* Conveen Contour 800ml leg bag			
S	45cm tube	5175	10	2884
S	* Aquadry leg bag			
	350ml short tube	783463	10	2543
	350ml long tube Adjustable	783501	10	2543
	500ml short tube	783471	10	2543
	500ml long tube Adjustable	783528	10	2543
	750ml short tube	783498	10	2543
	750ml long tube Adjustable	783536	10	2543
	Simpla Plus leg bags with two-step safety lock tap and anti-kink tubing			
S	350ml 6cm tube	21561	10	2836
S	350ml 25cm tube	21562	10	2836
S	500ml 6cm tube	21571	10	2836
S	500ml 25cm tube	21572	10	2836
	500ml 50cm tube	21583	10	2774
S	750ml 6cm tube	21591	10	2836
S	750ml 25cm tube	21592	10	2836
	Simpla Plus knee bag with additional strap			
	(3 straps per box of 10)			
SW	1500ml	21577	10	2885
S	Simpla Plus Syphon Bags			
	750ml, 6cm tube	21566	10	2885
	750ml, 25cm tube	21567	10	2885
S	Simpla Trident T1 with slide action tap			
	350ml short tube	370802	10	2816
	500ml long tube	370817	10	2838
	500ml short tube	370807	10	2838
	750ml long tube	370819	10	2851
	750ml short tube	370809	10	2851
	750ml adjustable long tube	370904	10	2851
S	Simpla Trident T2 with lever action tap			
	350ml bag short tube	376137	10	2850
	500ml bag short tube	376138	10	2881
	500ml bag long tube	376139	10	2881
	750ml bag short tube	376140	10	2895
	750ml bag long tube	376142	10	2895
	750ml bag adjustable long tube	376141	10	2895

IXB

---

**INCONTINENCE APPLIANCES**


---



---

**LEG BAGS**


---

Manufacturer	Appliance	Order No.	Quantity	List Price p
ConvaTec Ltd *	500ml Accuseal leg bag	S450	10	2096
DBT Medical Ltd (Formerly Rusch UK)	Kipper bag			
	Trans/white without strap and buckle	LM886000	1	2348
	Trans/white	LM886001	1	2865
	All black rubber	LM886002	1	2865
	All black plastic	LM886003	1	2865
Flexicare Medical Ltd	Flexicare leg bag with lever tap outlet, night drainage connector and velcro anti slip straps			
	S * 350ml short tube	00-1352	10	2260
	S * 500ml short tube	00-1502	10	2260
	S * 750ml short tube	00-1752	10	2260
	S * 350ml long tube	00-2352	10	2260
	S * 500ml long tube	00-2502	10	2260
	S * 750ml, long tube	00-2752	10	2260
	S * 500ml (60cm adjustable tube)	00-3502	10	2300
	* 500ml (60cm adjustable tube)	00-3501	10	2188
Hollister Ltd	S Leg Bag 500ml/10cm inlet (Regular)	9621	10	2778
	S Leg Bag 500ml/50cm inlet (Regular)	9624	10	2778
	S Leg Bag 800ml/10cm inlet (Regular)	9631	10	2788
	S Leg Bag 800ml/50cm variable inlet (Regular)	9632	10	2788
	* Urinary Leg Bag 540ml with 37cm extension tube	9820	10	2770
	S * Urinary Leg Bag 540ml with direct inlet connector	9814	10	2703
Jade-Euro-Med Ltd	Kipper bag, black	KB	1	2820
	Kipper bag, trans	KBT	1	2771
	S * Leg Drainage bag/Direct Inlet 350ml S	LBWT/350	10	2419
	S * Leg Drainage bag/30cm Inlet tube 350ml L	LBWT/350	10	2419
	S * Leg Drainage bag/Direct Inlet 500ml S	LBWT/500	10	2419
	S * Leg Drainage bag/10cm Inlet tube 500ml M	LBWT/500	10	2419
	S * Leg Drainage bag/30cm Inlet tube 500ml L	LBWT/500	10	2419
	S * Leg Drainage bag/Direct Inlet 750ml S	LBWT/750	10	2524
	S * Leg Drainage bag/10cm Inlet tube 750ml M	LBWT/750	10	2524
	S * Leg Drainage bag/30cm Inlet tube 750ml L	LBWT/750	10	2524
	S * Leg Drainage bag/38cm Inlet tube 750ml XL	LBWT/750	10	2524

## INCONTINENCE APPLIANCES

## LEG BAGS

Manufacturer	Appliance	Order No.	Quantity	List Price p
Manfred Sauer GmbH	Discreet Thigh Bag, overnight connector tube and fabric/velcro leg straps (1 pair per box of 10)			
S *	450ml diagonal direct inlet tube suitable for suprapubic catheter connection	70.04S	10	2323
S *	400ml straight direct inlet tube	70.06S	10	2323
	Bendi Bag leg bag with tap outlet, overnight connector tube and fabric/velcro leg straps (1 pair per box of 10)			
*	700ml Direct inlet tube, swing tap	70.33-04	10	2163
*	700ml 12cm inlet tube, swing tap	70.33-12	10	2163
*	700ml 20cm inlet tube, swing tap	70.33-20	10	2163
*	700ml 35cm adjustable inlet tube, swing tap	70.33-35adj	10	2163
*	700ml 35cm adjustable inlet tube, slide tap	70.33-35Padj	10	2163
S *	700ml Direct inlet tube, swing tap	70.33-04S	10	2498
S *	700ml 12cm inlet tube, swing tap	70.33-12S	10	2499
S *	700ml 20cm inlet tube, swing tap	70.33-20S	10	2499
S *	700ml 35cm adjustable inlet tube, swing tap	70.33-35Sadj	10	2498
* W	1300ml Direct inlet tube, swing tap	70.47-04	10	2163
* W	1300ml 12cm inlet tube, swing tap	70.47-12	10	2163
* W	1300ml 20cm inlet tube, swing tap	70.47-20	10	2163
* W	1300ml 35cm adjustable inlet tube, swing tap	70.47-35adj	10	2163
* W	1300ml 35cm adjustable inlet tube, slide tap	70.47-35Padj	10	2163
* S W	1300ml Direct inlet tube, swing tap	70.47-04S	10	2498
* S W	1300ml 12cm inlet tube, swing tap	70.47-12S	10	2499
* S W	1300ml 20cm inlet tube, swing tap	70.47-20S	10	2499
* S W	1300ml 35cm adjustable inlet tube, swing tap	70.47-35Sadj	10	2498
	Comfort Leg Bag 600ml with universal adapter, 2 straps and 1 latex connector			
	Direct inlet glued adapter, swing tap	710.1104	10	2331
	15cm inlet adjustable, swing tap	710.1315adj	10	2331
	45cm inlet adjustable, swing tap	710.1345adj	10	2331
	Direct inlet glued adapter, push valve/sliding tap	710.2104	10	2331
	15cm inlet adjustable, push valve/sliding tap	710.2315adj	10	2331
	45cm inlet adjustable, push valve/sliding tap	710.2345adj	10	2331
	Comfort Leg Bag 600ml with universal adapter, 1x 4cm wide top strap & 1 x 2cm wide bottom strap and 3 latex connectors.			
S *	Direct inlet glued adapter, swing tap	710.1204S	10	2515
S *	15cm inlet adjustable, swing tap	710.1415Sadj	10	2515
S *	45cm inlet adjustable, swing tap	710.1445Sadj	10	2515
S *	Direct inlet glued adapter, push valve/sliding tap	710.2204S	10	2515
S *	15cm inlet adjustable, push valve/sliding tap	710.2415Sadj	10	2515
S *	45cm inlet adjustable, push valve/sliding tap	710.2445Sadj	10	2515
	Comfort Leg Bag "R" 600ml with universal adapter, 2 straps and 10 latex adapters			
S *	45cm inlet adjustable, reverse swing tap, attached night bag adapter	R710.1445SOadj	10	2711
	Comfort Leg Bag "XR" 1000ml with universal adapter, 2 straps and 10 latex adapters			
S *	45cm inlet adjustable, reverse swing tap, attached night bag adapter.	R711.1445SOadj	10	2763

IXB

---

**INCONTINENCE APPLIANCES**


---



---

**LEG BAGS**


---

Manufacturer	Appliance	Order No.	Quantity	List Price p
Mentor	* Catheter drainage bag -			
Medical Ltd	Large	WP205-01-S	1	423
	Small	WP205-05-B	1	423
	Rubber bag with leg strap	WS111-05-U	1	4074
S	Freedom Triform Leg Bags			
*	350ml short tube	5350	10	2698
*	350ml short tube with soft backing	5351	10	2698
*	500ml short tube	5500	10	2702
*	500ml short tube with soft backing	5501	10	2698
*	500ml medium tube	5502	10	2734
*	500ml medium tube with soft backing	5503	10	2730
*	500ml long tube	5504	10	2757
*	500ml long tube with soft backing	5505	10	2753
*	500ml extra long adjustable tube with soft backing	5507	10	2843
*	750ml short tube	5750	10	2885
*	750ml short tube with softbacking	5751	10	2885
*	750ml long tube	5754	10	2885
*	750ml long tube with soft backing	5755	10	2885
*	750ml extra long adjustable tube with soft backing	5757	10	2885
	Paediatric/Child 120ml leg bag with 1 pair of leg straps per pack	E120V	10	2310
S G & P Payne *	Incontinaid leg bag			
	500ml	0830	1	283
	750ml	0831	1	283
	GU Black Butyl (or Latex) Rubber Kipper (SP, St. Peter's) Bags			
	Standard single chambered bag 568ml	0922/GU532	1	4474
	Ross type. As above, but with reinforced patches	0926/GU532/R	1	5107
	Standard 568ml bag with box outlet tap	0924/GU532/LT	1	5515
	Standard 568ml bag with short neck for females	0925/GU532/F	1	4474
	Standard 1136ml bag for night use	0923/GU532/40	1	6024
	Rubber bag for catheter drainage, short neck leg strap	SP/1	1	3067
	Female rubber drainage bag with conical mount	SP/5	1	2911
	As above with web belt and looped support strap	SP/5a	1	3432

ProSys International Ltd see CiiniSupplies Ltd

Rusch Uk see DBT Medical Ltd



## INCONTINENCE APPLIANCES

## LEG BAGS

Manufacturer	Appliance	Order No.	Quantity	List Price p
Salts Healthcare	* Heritage leg bag pack	ZL0020	5	1175 △
Shiloh Healthcare Ltd	Contibag leg bag			
	S 350ml short tube	CBS350	10	2544
	S 500ml short tube	CBS500	10	2595
	S 750ml short tube	CBS750	10	2646
	S 350ml long tube	CBL350	10	2544
	S 500ml long tube	CBL500	10	2595
	S 750ml long tube	CBL750	10	2646
Universal Hospital Supplies	S Unicorn leg bag			
	* 350ml short tube	UN222V	10	1760
	* 500ml short tube	UN333V	10	1780
	* 500ml long tube	UN333VL	10	1780
	* 750ml short tube	UN444V	10	1800
	* 750ml long tube	UN444VL	10	1800
Unomedical Ltd	S Careline Leg Bag with tap outlet, overnight connection tube and elasticated velcro straps (1 pair per box of 10)			
	* 350ml short tube	45-01 SVC	10	2478
	* 350ml long tube	45-02 LVC	10	2478
	* 500ml short tube	45-05 SVC	10	2543
	* 500ml long tube	45-06 LVC	10	2543
	* 750ml short tube	45-09 SVC	10	2597
	* 750ml long tube	45-10 LVC	10	2597
	S Careline Leg Bag with lever tap			
	* 500ml short tube	46-05-SVC	10	2543
	* 500ml long tube	46-06-LVC	10	2543
	* 750ml short tube	46-09-SVC	10	2597
	* 750ml long tube	46-10-LVC	10	2597
Ward Surgical Appliance Co	Kipper bag, black trans or white rubber	WM64	10	2332
	* Leg drainage bag			
	350ml	WM65	10	1126
	500ml	WM66	10	1161
	750ml	WM67	10	1230
	St. Peters Pattern SP bag	WM76	5	3117
	Ward's Comfort Range			
	* Leg drainage bag			
	350ml	WM68	10	1131
	500ml	WM69	10	1163
	750ml	WM70	10	1223

IXB

---

**INCONTINENCE APPLIANCES**


---



---

**NIGHT DRAINAGE BAGS**


---

These bags are suitable for night-time use for the collection of urine from indwelling catheters or incontinence sheaths. They are generally used in conjunction with a bag hanger which, being a nursing aid, is not prescribable. Supply arrangements for bag hangers tend to vary throughout the country but they are normally supplied through the community nursing service.

**Note:** The drainage bags listed below except non-drainable bags, have a life-in-use of, on average 5-7 days.

**Symbols used in this section**

- # Non-drainable bags
- S These Night Drainage Bags are supplied sterile
- Single Use Only
- \* Plastics

Manufacturer	Appliance	Order No.	Quantity	List Price p
A1 Pharmaceuticals	# Uriline Non sterile 2 litre bag	A1	10	205
	# Uriline Non sterile 2 litre bag with non-return valve	A2	10	220
	S Uriline 2 litre bag with non-return valve and tap	A4	10	1100
Bard Ltd	# Uriplan collection bag, 2 litre with 90cm inlet tube and non-return valve	D8420	10	252
	Uriplan drainage bag, 2 litre with 98cm inlet tube, non-return valve and tap outlet	D81-3131	10	1267
	□ Uriplan One MT 2 litre bag with drainage tap	D1MT	10	326
CliniSupplies Ltd (formerly Pro-Sys International Ltd)	Sterile 2 litre drainage bag with 90cm inlet tube, non-return valve, sample port connector and outlet tap	P2000	10	1220
	Non Sterile 2 litre drainage bag with 90cm inlet tube and non-return valve	P2	10	209
Coloplast Ltd	S Conveen drainage bag 1.5 litre	5062	10	1457
	S Assura 2 litre night bag with 120cm anti-kink tubing	21365	10	1615
	S Simpla 2 litre S5 Urine drainage bag	346145	10	1220
	S Simpla 2 litre S4 Urine drainage bag - long tube	340805	10	1351
	S Simpla 2 litre S4 Urine drainage bag - short tube	340801	10	1307
	# Simpla 2 litre S1 Urine drainage bag with standard size connector	311102	10	258
	# Simpla 2 litre S2 Urine drainage bag with non-return valve with standard size connector	320902	10	272
S Simpla Plus 2 litre night bag with 120cm anti-kink tubing	21576	10	1681	
ConvaTec Ltd	Accuseal drainage bag	S500	5	843
	Night drainage bag	S320	5	843
Dansac Ltd	Dansac night drainage bag 2 litre	420-00	10	1214

## INCONTINENCE APPLIANCES

## NIGHT DRAINAGE BAGS

Manufacturer	Appliance	Order No.	Quantity	List Price p
Flexicare Medical Ltd	Flexicare F4, sterile 2 litre drainage bag with 100cm inlet tube, non-return valve and tap outlet	00-1200	10	967
	Flexicare F4L, sterile 2 litre drainage bag with 100cm inlet tube, non-return valve and lever tap outlet	00-1201	10	987
	# Flexicare F2, sterile 2 litre drainage bag with 100cm inlet tube and non-return valve	00-2202C	10	214
	□ Flexicare F2 EZ 2 litre drainage bag with single use snap twist-off tap	00-2203C	10	327
Hollister Ltd	# Night drainage bag 2000ml (Non-Drainable)	9651	10	246
	S Night drainage bag 2000ml (Drainable)	9650	10	1245
	Hollister urostomy night drainage bag	5550	10	1132
Jade-Euro-Med Ltd	S 2 litre drainage bag with tap outlet	2LNB	1	158
	# Jade J2 2 litre bag with 90cm inlet tube and non-return valve	J2	10	239
L.I.N.C Medical Ltd	□ 2 litre overnight drainage bag with non-return valve	LM2LNS	10	210
	S 2 litre overnight drainage bag with non-return valve	LM2LS	10	262
	□ 2 litre drainage bag with tap, 120cm tube, non-return valve, antibacterial filter, Pasteur drip chamber and integral handle	TZ01	10	1600
	S 2 litre drainage bag with tap, 120cm tube, non-return valve, antibacterial filter and integral handle	TZ02	10	1200
Manfred Sauer GmbH	Smartflow 2 litre drainable night bag, swing tap, 120cm inlet tube and non return valve	NB2	10	1559
Mentor Medical Ltd	S FreedomCysto-Care, 2 litre silver Inbeds 2 litre drainage bag with twist tap	2011 IB2000C	10 10	1310 1486
	* Tri-Form 2 litre night drainage bag with 90cm inlet tube and non-return valve with universal connector	TFN2000	10	232
	S Neovac 2000ml urine drainage bag with 90cm inlet tube and non-return valve	NVB2	10	224
ProSys International Ltd	see CliniSupplies Ltd			
Salts Healthcare	2 litre urine drainage bags	ZL0400	10	1366 △

IXB

---

**INCONTINENCE APPLIANCES**


---



---

**NIGHT DRAINAGE BAGS**


---

Manufacturer	Appliance	Order No.	Quantity	List Price p
Shiloh Healthcare Ltd	Contibag sterile 2 litre storage bag (drainable)	CBN2L	10	1119
Unomedical Ltd	# Careline E1, 2 litre urine drainage bag with 90cm inlet tube	45-30-LBC	10	218
	# Careline E2, 2 litre urine drainage bag with 90cm inlet tube and non-return valve	45-40-LBC	10	233
	Careline E4, 2 litre urine drainage bag with 90cm inlet tube and non-return valve and tap outlet	45-20-IDC	10	1142
	S Careline E4 Night Bag, 2 litre with lever tap	46-20-IDC	10	1123
	□ Easi MT 2 litre drainage bag with 90cm inlet tube, non-return valve and single use twist off drainage outlet	47-60-LBH	10	312
VitalCare (UK) Ltd +	# 2 litre night drainage bag with 90cm inlet tube and non-return valve	80152	10	233
	<b>+ to be deleted 1 March 2006</b>			
Ward Surgical Appliance Co	2 litre drainage bag with outlet and non-outlet	WM71	10	1224

---

**INCONTINENCE APPLIANCES**


---



---

**SUSPENSORY SYSTEMS**


---

These appliances should not be confused with leg bag garments which are not prescribable. Each system comprises a drainage bag with its means of support.

**Note:** *The bags may be used for 5-7 days, sometimes longer, but the support systems will have a much longer life.*

**Symbols used in this section**

\* Plastics

Manufacturer	Appliance	Order No.	Quantity	List Price
Bard Ltd	Urisac Portabag belt	7681	1	788
	* Urisac Portabag	7680	10	1345
Jade-Euro-Med Ltd	Portabag Left Hand Inlet	JEPB/L	10	1760
	Portabag Right Hand Inlet	JEPB/R	10	1760
	Portabelt	JEPB/B	1	895
Manfred Sauer GmbH	NephSys: Nephrostomy drainage system			
	Contains 4x 500ml sterile drainage bags, 2x bag suspenders, 1x waist belt			
	Small belt (20cm inlet)	NephSys.01S	1	3401
	Small belt (30cm inlet)	NephSys.01L	1	3401
	Adult Belt (20cm inlet)	NephSys.02S	1	3401
	Adult Belt (30cm inlet)	NephSys.02L	1	3401
	NephSys: Replacement belts			
	Small	NSBelt.01	1	1835
	Adult	NSBelt.02	1	1835
	NephSys: 500ml sterile drainage bag			
20cm inlet	NS721.1720S	10	3915	
30cm inlet	NS721.1730S	10	3915	
Mentor Medical Ltd	Leg bag holster			
	Small 61cm-76cm	WH6176	1	978
	Medium 76cm-91.5cm	WH7691	1	978
	Large 91.5cm - 112cm	WH91112	1	978
* 400ml Holster bag	400 H	10	2092	
Rusch UK see Teleflex Medical				
Teleflex Medical (formerly Rusch UK)	Rusch Belly Bag (includes belt)	B1000	2	2100
	(Each bag may be used for up to 28 days)			
	Rusch Belly Bag with extended drainage tubing	B1000CT	2	2100
	Rusch Belly Bag replacement belt	P0337	2	470
	Rusch Belly Bag with sample port	B1000P	2	2100

**IXB**

---

**INCONTINENCE APPLIANCES**


---



---

**TUBING AND ACCESSORIES**


---

Manufacturer	Appliance	Order No.	Quantity	List Price p
Bard Ltd	Leg bag straps (washable)	15LS	10	1397
	Leg bag straps, Latex	8440	20	286
	Leg bag straps, foam/velcro	8441	20	544
	Urisleeve leg bag holder			
	Small (24-39cm)	150111	4	780
	Medium (36-55cm)	150121	4	780
	Large (40-70cm)	150131	4	780
Beambridge Medical	Beambridge Funnel Male Urinal Director/Positioner	6-35	1	1223
	Beambridge Lady Funnel Female Urinal Director/Positioner	6-40	1	1273
	Beambridge Mini Funnel Male Urinal Director/Positioner	6-35M	1	1223
CliniSupplies Ltd (formerly Pro-Sys International Ltd)	Soft elasticated cotton leg bag support straps with silicone leg grip	P10LS	10	1295
Coloplast Ltd	Velcrobands (washable)	5050	20	4065
	Aquasleeve			
	Small (leg circum. 24-33cm)	783678	4	796
	Standard (leg circum. 34-39cm)	783680	4	796
	Medium (leg circum. 40-46cm)	783686	4	796
	Large (leg circum. 47-64cm)	783694	4	796
	Extra Large (leg circum. 65cm+)	783708	4	780
	Leg bag extension tube	380303	10	528
	Elasticated leg bag straps (washable)	380812	10	1477
	Simpla G-Strap			
	short	383002	5	1352
adult	383001	5	1352	
abdominal	383003	5	1492	
Simpla Plus Knee Bag Straps	21560	15	2172	
ConvaTec Ltd	Accuseal leg bag extension tube	S455	10	773
DBT Medical Ltd (Formerly Rusch UK)	35.5cm connecting tube for drip urinal	LM754136	1	284
Flexicare Medical Ltd	Leg bag straps (pairs); washable, anti slip with velcro fastening	00-0032	10	1170

---

**INCONTINENCE APPLIANCES**


---



---

**TUBING AND ACCESSORIES**


---

Manufacturer	Appliance	Order No.	Quantity	List Price p
G F Products	<b>Safehold Straps</b>			
	Pack of 2 G Straps	G2	1	100
	Pack of 2 knee and 2 ankle straps	K/A	1	180
	Pack of 2 G, 2 knee, 2 ankle straps	G/K/A	1	280
	Pack of 2 Body straps with tube holders	B	1	130
Hollister Ltd	Deluxe Leg bag straps			
	35cm (extra small)	9663	2	304
	38cm (small)	9660	2	304
	49cm (medium)	9661	2	304
	56cm (large)	9662	2	304
	Leg bag holsters			
	Small	9612	4	767
	Medium	9613	4	767
	Large	9614	4	767
	Leg bag straps, Elasticated and washable	9625	10	1326
	Leg bag straps			
	35.5cm (calf)	9342	2	315
	58.5cm (thigh)	9343	2	315
Jade-Euro-Med Ltd	Euro J-strap	JEJS	5	1279
	Euroleeve			
	Small (24-33cm)	JES1	4	762
	Standard (34-39cm)	JES2	4	762
	Medium (40-46cm)	JES3	4	762
	Large (47-64cm)	JES4	4	762
	Euroleeve All in One			
	Small (24-39cm Yellow)	JES6	4	763
	Medium (36-55cm Blue)	JES7	4	763
	Large (40-70cm Brown)	JES8	4	763
	Leg bag connecting tube with mount	LBCTM	1	265
	Leg bag connecting tube	LBCT	1	154
	Velcro leg straps	VLS	2	198
JBOL Ltd	Whiz Urine Director	ATD2002.1	1	890
	Whiz Urine Director (with 10cm connecting tube)	ATD2004.10	1	1075
Manfred Sauer GmbH	K+ICS Sheath Expander	100.01	1	6669
	(can only be used to expand Manfred Sauer K+ICS Sheaths over the penis to allow for clean intermittent self catheterisation - see Incontinence Sheaths section this publication for Manfred Sauer K+ICS Sheaths, order no. 103.nn.)			
	K+ICS Sheath Tips	100.05	10	1665
	(can only be used with Manfred Sauer K+ICS Sheaths - see Incontinence Sheaths section of this publication for Manfred Sauer K+ICS Sheaths, order no. 103.nn.)			
	Leg Bag Narrow Strap	LB.N	1	117
	20mm wide			
	Leg Bag Wide Strap	LB.W	1	196
	38mm wide			
Leg Bag to Night Bag	55.38-10	10	275	
Latex Connectors				

IXB

---

**INCONTINENCE APPLIANCES**


---



---

**TUBING AND ACCESSORIES**


---

Manufacturer	Appliance	Order No.	Quantity	List Price p
Mentor Medical Ltd	Stopcock for use on chiron plastic urinal bags in place of screw cap	WS155-20-E	1	502
	Rubber extension tube (with mounts)	WS152-01-M	1	519
	Plastic connector with tube	WS152-25-C	1	345
	Female connector for Mitcham bag	WH566-01-G	1	232
	Night bag connector	WH533-01-C	1	140
	Spare "O" rings for pp urinal	WR045-01-R	5	132
	Uro-Flo Elastic Velcro Leg Straps	WS167-35-H	10	476
	Leg bag extension tube			
	30cm	ET30	10	2708
	60cm	ET60	10	2978
	Silgrip Elasticated leg strap	EC1	10	1378
	Silgrip side-fix leg strap (thigh fitting)	SF1	10	1378
	Silgrip side-fix leg strap (calf fitting)	SF2	10	1310
	Easisleeve			
	Small	5900	4	750
	Standard	5901	4	750
	Medium	5902	4	750
Large	5903	4	750	
Extra Large	5904	4	750	
S G & P Payne	152mm Rubber extension tube	1201	1	379
	Non-Spill Adaptor	1351	1	673
	Velcro leg strap	1001	1	104
	Rubber leg strap	1003	1	132
ProSys International Ltd see CliniSupplies Ltd				
Rusch UK see DBT Medical Ltd				
Salts Healthcare	Heritage leg bag extension tube	ZL0021	2	235 △
The Kendall Company (UK) Ltd				
	Argyle Foam and Velcro leg strap 75cm (washable)	8887-600149	1	169
	Argyle Foam and Velcro Abdomen strap 150cm (washable)	8887-600156	1	317
	Argyle Penrose Tubing			
	6mm ID, length 44cm	8888-514604	50	3075
	8mm ID, length 44cm	8888-514802	50	3075
	10mm ID, length 44cm	8888-515007	50	3075
	13mm ID, length 44cm	8888-515205	50	3075
	16mm ID, length 44cm	8888-515403	50	3075
	19mm ID, length 44cm	8888-515601	50	3075
	25mm ID, length 44cm	8888-515809	50	3075
Unomedical Ltd	Careline leg bag straps	45-85-EX	10	1362



---

**INCONTINENCE APPLIANCES**


---



---

**URINAL SYSTEMS**


---

The devices listed below are specialist appliances which comprise several components and need to be correctly fitted by someone competent to do so. Generally patients should have 2 appliances, one to wear and one to wash.

*Note: In general the individual components can be prescribed separately for replacement purposes. With proper care and cleansing, each appliance should last for 6 months.*

Manufacturer	Appliance	Order No.	Quantity	List Price p
Bard Ltd	Maguire urinal and adaptor waist sizes			
	66-81 cm	050802	1	6825
	81-96 cm	050803	1	6825
	96-112 cm	050804	1	6825
	Maguire adaptor & tubing	600532		921
Beambridge Medical	Bridge Saddle urinal	6-26	1	1324
	Bridge urinal	6-18	1	1324
	Bridge urinal with tap	6-18T	1	1324
	Beambridge Drainage Bags for use with Beambridge Urinals	6-55	10	1427
	Male Draining Jug	6-50	1	1324
	Male Draining Jug with tap	6-50T	1	1324
C S Bullen Ltd	Uri-Drain System with 10 pouches			
	Flange Size 20mm	LU18/20	1	2375
	25mm	LU18/25	1	2375
	30mm	LU18/30	1	2375
	35mm	LU18/35	1	2375
	40mm	LU18/40	1	2375
Coloplast Ltd	Aquadry cones for use with pubic pressure flanges			
	Straight			
	Small	787140	1	1294
	Medium	787159	1	1294
	Large	787167	1	1294
	Curved			
	Small	787175	1	1294
Medium	787183	1	1294	
	Large	787191	1	1294

IXB

---

**INCONTINENCE APPLIANCES**


---



---

**URINAL SYSTEMS**


---

Manufacturer	Appliance	Order No.	Quantity	List Price p
Coloplast Ltd	Aquadry pubic pressure flange with rubber understraps			
	Child			
	12mm	787000	1	2993
	15mm	787019	1	2993
	18mm	787027	1	2993
	22mm	787035	1	2993
	25mm	787043	1	2993
	Adult			
	25mm	787078	1	3083
	29mm	787086	1	3083
	32mm	787094	1	3083
	35mm	787108	1	3083
	38mm	787116	1	3083
	41mm	787124	1	3083
	44mm	787132	1	3083
	Aquadry pubic pressure urinal 1 all-in-one appliance with pressure ring, tapered inner sleeve trimmed to fit and rubber understraps			
		470856	1	6260
	Aquadry pubic pressure urinal 2 all-in-one appliance with pressure ring, diaphragm and rubber straps			
	25mm	785709	1	6260
	32mm	785717	1	6260
	38mm	785725	1	6260
	Aquadry pubic pressure urinal 3 all-in-one appliance with pressure ring, diaphragm and scrotal support			
	25mm	785733	1	6260
	32mm	785741	1	6260
	38mm	785768	1	6260
	Aquadry rubber belt			
	61cm, 71cm, 91.5cm, 112cm	787205	1	361
	Aquadry urinal all-in-one appliance with inner sheath and rubber understraps			
	29mm	784001	1	6260
	32mm	784028	1	6260
	35mm	784036	1	6260
	38mm	784044	1	6260
	41mm	784052	1	6260
	Rubber leg bag connecting tube with female attachment for urinal			
		785776	1	315

---

**INCONTINENCE APPLIANCES**


---



---

**URINAL SYSTEMS**


---

Manufacturer	Appliance	Order No.	Quantity	List Price p	
DBT Medical Ltd (Formerly Rusch UK)	Thames urinal with standard bag and connecting tube	LM751100	1	8323	
	Thames urinal with long bag and connecting tube	LM751102	1	8323	
	Severn urinal with standard bag and connecting tube	LM752120	1	8323	
	Severn urinal with 5 plastic bags and connecting tube	LM752124	1	8323	
	Mersey urinal with 5 plastic bags and connecting tube	LM753224	1	8323	
	'55' male urinal	LM756200	1	8197	
	Spare sheaths for '55' urinal	LM756212	6	3717	
	Stoke Mandeville Pattern				
	Male urinal				
	20mm sheath	LM754001	1	8323	
	24mm sheath	LM754002	1	8323	
	25mm sheath	LM754003	1	8323	
	28mm sheath	LM754004	1	8323	
	32mm sheath	LM754005	1	8323	
	35mm sheath	LM754006	1	8323	
	38mm sheath	LM754007	1	8323	
	42mm sheath	LM754008	1	8323	
	45mm sheath	LM754009	1	8323	
	48mm sheath	LM754010	1	8323	
	51mm sheath	LM754011	1	8323	
	54mm sheath	LM754012	1	8323	
	57mm sheath	LM754013	1	8323	
	60mm sheath	LM754014	1	8323	
	63mm sheath	LM754015	1	8323	
	Spare sheaths on request		1	703	
	Sahara one-piece top PP urinal				
	with small rubber collection bag				
	Paed	LM755109	1	7934	
	with 5 small plastic collection bags				
	Paed	LM755110	1	7934	
	with standard collection bag and connection tube				
	Standard	LM755120	1	7934	
	with long collection bag and connection tube				
Standard	LM755130	1	7934		
with five medium collection bags and connection tube					
Standard	LM755140	1	7934		
with standard rubber bag and connection tube					
Large	LM755150	1	7934		
with long rubber bag and connection tube					
Large	LM755160	1	7934		
with five medium plastic bags and connection tube					
Large	LM755170	1	7934		

IXB

---

**INCONTINENCE APPLIANCES**


---



---

**URINAL SYSTEMS**


---

Manufacturer	Appliance	Order No.	Quantity	List Price p
DBT Medical Ltd (Formerly Rusch UK)	Peoplecare PP Male urinal:			
	PP flange 25mm child			
	Sheath size			
	13mm	LM844113	1	2576
	16mm	LM844116	1	2576
	19mm	LM844119	1	2576
	PP flange 29mm child			
	Sheath size			
	22mm	LM845122	1	2576
	25mm	LM845125	1	2576
	PP flange 32mm child			
	Sheath size			
	19mm	LM845219	1	2576
	22mm	LM845222	1	2576
	25mm	LM845225	1	2532
	PP flange 38mm adult			
	Sheath size			
	19mm	LM846319	1	2576
	22mm	LM846322	1	2576
	25mm	LM846325	1	2576
	29mm	LM846329	1	2576
	32mm	LM846332	1	2576
	PP flange 44mm adult			
	Sheath size			
	35mm	LM847435	1	2576
	38mm	LM847438	1	2576
	41mm	LM847441	1	2576
	PP Standard bag			
	Meduim	LM881002	1	1330
	Large	LM881003	1	1648
PP Curved Top				
Small	LM874101	1	1003	
Meduim	LM874102	1	1003	
Large	LM874103	1	1003	
PP Straight Top				
Small	LM875211	1	1003	
Meduim	LM875212	1	1003	
Large	LM875213	1	1003	
Ex-large	LM875214	1	1003	
Transverse rubber bag with tap for above urinal	LM881001	1	2723	
Double based PP Flange for above urinal	LM846350	1	2576	
Rubber pubic flange, adult, for above urinal	LM854229	1	2970	

---

**INCONTINENCE APPLIANCES**


---



---

**URINAL SYSTEMS**


---

Manufacturer	Appliance	Order No.	Quantity	List Price p
Ellis, Son & Paramore Ltd	Hallam Modular Urinals	NS200	1	3163
	Spare bag	NS200(a)	1	168
	Spare belt	NS200(b)	1	375
Hollister Ltd	Retracted Penis Pouch	9811	10	2729
	Retracted Penis Pouch with Flexextend Skin Barrier	9873	10	2682
Jade-Euro-Med Ltd	Male urinals - all fitted with taps			
	Day and night use urinal with diaphragm, Scrotal support and bag. STATE SIZE OF DIAPHRAGM	Fig 4A	1	5844
	Urinal with waistband, Scrotal support complete with inner sheath and bag	Fig 5	1	7112
	Urinal with waistband, connection tube, rubber understraps, complete with tapered inner sheath and bag	Fig 6A	1	6910
	Adult male urinal with pressure ring, diaphragm, rubber understraps. STATE SIZE OF DIAPHRAGM	Fig 101	1	6323
	Day and night urinal with pressure ring, inner sheath, waistband and understraps. STATE SIZE OF SHEATH	Fig 104	1	6941
	Day and night urinal with sheath, waistbelt, understraps and plastic bag	Fig 105	1	6733
	Urinal with inner sheath, rubber understraps and plastic bag. STATE SIZE OF SHEATH	Fig 106	1	6239
	Day and night urinal, scrotal support and plastic bag	Fig 107	1	5995
	Day and night urinal to contain penis and scrotum, fitted with inner sheath and diaphragm complete with bag	Fig 111A	1	5873
	Male jockey appliance with bag. STATE WAIST SIZE	M200	1	6253
	Replacement belt for above. STATE WAIST SIZE	JB/200	1	1228
	Inner sheath	I/S	5	1430
	Plastic bags	OLBWT(L)	5	1576
	Rubber bag	RB/M200	1	2626
	Ring	SP/M200	1	102

IXB

---

**INCONTINENCE APPLIANCES**


---



---

**URINAL SYSTEMS**


---

Manufacturer	Appliance	Order No.	Quantity	List Price p	
Jade-Euro-Med Ltd	Stoke Mandeville replacement sheath (state size of sheath)	SMS	1	655	
	Male PP urinal with 5 plastic bags (state size of sheath)	PP2	1	6681	
	Spare parts for PP Urinals:				
	Flange with sheaths, state size	PP3	1	3317	
	Cone - small straight	PP4	1	1315	
	Cone - small curved	PP5	1	1315	
	Cone - medium straight	PP6	1	1315	
	Cone - medium curved	PP7	1	1315	
	Cone - large straight	PP8	1	1315	
	Cone - large curved	PP9	1	1315	
	Cone - ex-large straight	PP10	1	1315	
	Plastic bag small	OLBWT(S)	5	1576	
	Plastic bag large	OLBWT(L)	5	1576	
	Rubber bag with air vent for use with all Jade-Euro-Med urinals	PP13	1	2574	
	Progress long life plastic urinal bags pk 10	M700	1	2805	
	Progress long life plastic scrotal urinal bags pk 10	M800	1	2805	
	Fridjohn urinal	M600	1	8385	
	Y.B. Wet. A complete urinal system	M500	1	6805	
	STATE SHEATH SIZE 25mm/29mm/32mm/36mm/41mm				
	Essex appliance. A complete urinal system. STATE SHEATH SIZE 21mm/25mm/31mm/35mm/40mm	M400	1	5391	
1-piece belt, incorporating double based flange and bag	KM28	1	5685		
1-piece belt, with flange and 5 plastic bags	KM29	1	5685		
Manfred Sauer GmbH	URlbag pocket sized (when not in use) reusable urinal for men & urinary/ostomy appliance users, 1.1 Litre capacity	URlbag	1	1323	
	URlbag F pocket sized (when not in use) reusable urinal for females, 1.2 Litre capacity	URlbagF	1	1323	
	URlfem female reusable bottle urinal (sterile up to 130°C) for women lying down or in semi-sitting position in bed, 1 Litre capacity	URlfem	1	1323	

---

**INCONTINENCE APPLIANCES**


---



---

**URINAL SYSTEMS**


---

Manufacturer	Appliance	Order No.	Quantity	List Price p
Mentor Medical Ltd	Male PP urinal, child, with integral flange			
	Plastic bag:			
	Curved cone			
	Small	WR011-01-H	1	6716
	Medium	WR013-01-R	1	6716
	Replacement PP flange with integral sheath for child pp urinals:			
	Sheath 13mm Flange 25mm	WS025-13-K	1	3781
	Sheath 16mm Flange 25mm	WS025-16-R	1	3781
	Sheath 19mm Flange 25mm	WS025-19-X	1	3781
	Sheath 22mm Flange 25mm	WS025-22-L	1	3781
	Sheath 25mm Flange 32mm	WS032-25-K	1	3781
	Replacement curved rubber cone top for above urinals			
	Small	WS130-01-S	1	1599
	Medium	WS130-03-W	1	1599
	Large	WS130-05-B	1	1599
	Replacement straight rubber cone top for above urinals			
	Small	WS135-01-P	1	1599
	Medium	WS135-03-T	1	1599
	Large	WS135-05-X	1	1599
	Ex-large	WS135-07-C	1	1599
	Replacement double-based PP flange			
	child 32mm opening	WS160-32-V	1	3380
	adult 38mm opening	WS160-38-J	1	3380
	adult 44mm opening	WS160-44-D	1	3380
	Chailey male urinal, adolescent/adult with			
	rubber bag	WP100-01-P	1	6338
	plastic bag	WP105-01-L	1	8029
	Spares for Chailey urinals1 piece curved top with integral sheath and under-straps			
	child 22mm sheath	WS200-22-R	1	4229
	adult 22mm sheath	WS202-22-A	1	4229
	adult 25mm sheath	WS202-25-G	1	4229
	adult 29mm sheath	WS202-29-Q	1	4229
	adult 32mm sheath	WS202-32-D	1	4229
	adult 35mm sheath	WS202-35-K	1	4229
	adult 38mm sheath	WS202-38-R	1	4229
	adult 44mm sheath	WS202-44-L	1	4229

IXB

---

**INCONTINENCE APPLIANCES**


---



---

**URINAL SYSTEMS**


---

Manufacturer	Appliance	Order No.	Quantity	List Price p
Mentor Medical Ltd	- rubber belt			
	61cm	WS101-61-A	1	623
	66cm	WS101-91-26	1	623
	71cm	WS101-91-28	1	623
	76cm	WS101-91-30	1	623
	81cm	WS101-91-32	1	623
	86cm	WS101-91-34	1	623
	91cm	WS101-91-36	1	623
	97cm	WS101-91-38	1	623
	102cm	WS101-91-40	1	623
	107cm	WS101-91-42	1	623
	112cm	WS101-91-44	1	623
	117cm	WS101-91-46	1	623
	- rubber bags (suitable also for PP and Chironurinals)	WS110-01-G	1	2012
		WS110-05-Q	1	2756
	- plastic bags (suitable also for PP urinals & Chiron urinals)			
	wide neck	WS120-10-N	1	415
	adult	WS120-05-V	1	415
	child	WS120-01-M	1	415
Male PP urinal, adult, with integral flange				
rubber bag - various sizes	WP001-01-M	1	7849	
	WP003-01-V	1	7849	
	WP005-01-E	1	7849	
plastic bag - various sizes	WP011-01-S	1	7417	
	WP013-01-B	1	7417	
	WP015-01-K	1	7417	
Replacement PP flange for above				
19mm	WS038-19-R	1	3781	
22mm	WS038-22-E	1	3781	
25mm	WS038-25-L	1	3781	
29mm	WS038-29-U	1	3781	
32mm	WS038-32-H	1	3781	
35mm	WS038-35-P	1	3781	
38mm	WS038-38-V	1	3781	
41mm	WS038-41-J	1	3781	
Male PP urinal, adult, with double-based flange				
- rubber bag - various sizes	WP025-01-Q	1	7960	
	WP028-01-D	1	7960	
	WP031-01-D	1	7960	
- plastic bag - various sizes	WP035-01-V	1	7417	
	WP038-01-J	1	7417	
	WP041-01-J	1	7417	



---

**INCONTINENCE APPLIANCES**


---



---

**URINAL SYSTEMS**


---

Manufacturer	Appliance	Order No.	Quantity	List Price p
Mentor Medical Ltd	Replacement sheath for above urinals	WS160-01-J	10	145
	Rubber bag with vent tube for PP urinals adult	WS140-05-G	1	3299
	Rubber double bag, adult, for PP urinals	WS140-08-N	1	3534
	Stoke Mandeville sheath type urinal	WP110-01-U	1	7251
	Stoke Mandeville double rubber bag urinal	WP113-01-H	1	9424
	Replacement sheaths	WS160-02-L	10	434
	Replacement bag for WP113	WS140-07-L	1	3534
	Replacement sheath for WP113			
	19mm	WS162-19-N	1	989
	22mm	WS162-22-B	1	989
	25mm	WS162-25-H	1	989
	29mm	WS162-29-R	1	989
	32mm	WS162-32-E	1	989
	35mm	WS162-35-L	1	989
	† to be deleted 1 April 2006	Chiron male rubber urinal with webbing belt	WP124-01-S	1
* Surrey model L/weight urinal	L - MK I			
	25mm	WP130-25-V	1	5903
	32mm	WP130-32-S	1	5903
	38mm	WP130-38-F	1	5903
	L - MK II			
	25mm	WP133-25-J	1	5903
	32mm	WP133-32-F	1	5903
	38mm	WP133-38-T	1	5903
* Replacement bags for the Surrey Urinal can be found on page 372	Chiron male plastic urinal (rubber sheaths)	WP145-01-H	1	3377
	Chiron geriatric urinal (film type sheaths)	WP148-01-V	1	4904
	Replacement sheaths for WP145 & WP151			
	22mm	WS168-22-C	1	623
	25mm	WS168-25-J	1	623
	29mm	WS168-29-S	1	623
	32mm	WS168-32-F	1	623
	38mm	WS168-38-T	1	623
	Replacement net suspensory for WP107, WP129 & WP145	WS107-08-W	1	1466
	Transverse rubber bag & stopcock (child)	WS145-01-U	1	3728
	Non allergic film type sheath	WS161-01-N	10	114

IXB

---

**INCONTINENCE APPLIANCES**


---



---

**URINAL SYSTEMS**


---

Manufacturer	Appliance	Order No.	Quantity	List Price p
S G & P Payne	Male Incontinence Appliance with rubber belt			
	MK 1 - with combined rubber flange & understraps	0001	1	7000
	MK 2 - with rubber flange & fabric facepiece	0002	1	7527
	MK 3 - with combined rubber flange understraps and coned top	0003	1	6212
	Lightweight male Incontinence Appliance			
	MK 4 - with fabric facepiece & separate long flanged plastic bag with foam pad	0004	1	4438
	MK 5 - with fabric facepiece separate flange & long flanged plastic bag with material facepiece and belt	0005	1	6234
	MK 6 - with combined flange & understraps& long flanged plastic bag & rubber belt	0006	1	5466
	MK 7 - with flange material flange support reinforced coned top and plastic or rubber bag	0007	1	7843
	MK 8 - with flange material flange support long plastic bag	0008	1	6552
	MK 9 - with rubber flange & wide belt with scrotal support	0009	1	7843
	MK 10 - with flange support with wide belt & scrotal support separate flange & long flanged plastic bag	0010	1	6551
	MK 11 - with flange soft replaceable diaphragm material facepiece with belt and adjustable rubber understraps soft coned top plastic or rubber bag	0011	1	7843
	MK 12 - with flange soft replaceable diaphragm material facepiece with belt and adjustable rubber understraps long plastic bag	0012	1	6552
	Replacements for above appliances			
	Rubber flange with - feathered diaphragm (MK2,MK5,MK9,MK10)			
	Medium 32mm	0511	1	2028
	Large 38mm	0512	1	2028
	Ex-large 45mm	0513	1	2028
	and understrap (MK1,MK6)			
	Small 25mm	0501	1	3138
	Medium 32mm	0502	1	3138
	Large 38mm	0503	1	3138
	Ex-large 45mm	0504	1	3138
	Feathered diaphragm & combined reinforced top	0560	1	3559

---

**INCONTINENCE APPLIANCES**


---



---

**URINAL SYSTEMS**


---

Manufacturer	Appliance	Order No.	Quantity	List Price p	
S G & P Payne	Rubber flange 38mm (MK11 MK12)	0516	1	2027	
	Rubber flange 45mm (MK11, MK12)	0517	1	2027	
	Soft replaceable rubber diaphragms (MK11, MK12)	0519	3	506	
	Material facepiece with belt & loop (MK2,MK4,MK5)	0430	1	2350	
	Reinforced cone top (MK1,MK2,MK9)				
	Small - to fit 25mm flange	0601	1	1363	
	Medium - to fit any size flange	0602	1	1363	
	Large - to fit any size flange	0603	1	1363	
	Soft coned top (MK11)	0619	1	1364	
	Plastic bag (MK1,MK2,MK3,MK7,MK9,MK11)	0801	1	342	
	Rubber bag (MK1,MK2,MK3,MK7,MK9,MK11)	0901	1	2063	
	Rubber belt (MK1, MK3, MK6)	0101	1	442	
	Elastic belt (MK1,MK3,MK6)				
	Waist size 70cm	0201	1	936	
	Waist size 75cm	0202	1	936	
	Waist size 80cm	0203	1	936	
	Waist size 85cm	0204	1	936	
	Waist size 90cm	0205	1	936	
	Waist size 95cm	0206	1	936	
	Web belt (MK1,MK3,MK6)	0301	1	654	
	Flange support with wide belt & scrotal support (MK9,MK10)				
	Small - Waist size 70/80cm	0420	1	2666	
	Medium - Waist size 80/90cm	0421	1	2666	
	Large - Waist size 90/100cm	0422	1	2666	
	Material flange support (MK7, MK8)				
	70cm	0401	1	2666	
	75cm	0402	1	2666	
	80cm	0403	1	2666	
	85cm	0404	1	2666	
	90cm	0405	1	2666	
	95cm	0406	1	2666	
	100cm	0407	1	2666	
105cm	0408	1	2666		
110cm	0409	1	2666		
Night connector (MK1,MK2,MK3,MK7,MK9,MK11)	0701	1	442		

IXB

---

**INCONTINENCE APPLIANCES**


---



---

**URINAL SYSTEMS**


---

Manufacturer	Appliance	Order No.	Quantity	List Price p
S G & P Payne	Long flanged plastic bag (MK5,MK6,MK8,MK10,MK12)			
	38mm - to fit 32/38mm flange	0811	1	463
	45mm - to fit 45mm flange	0812	1	463
	with foam pad (MK4)			
	38mm - to fit 32/38mm flange	0821	1	526
	45mm - to fit 45mm flange	0822	1	526
	Material facepiece with belt and adjustable rubber understraps (MK11, MK12)			
	Small	0414	1	2666
	Medium	0415	1	2666
	Large	0416	1	2666
	Material facepiece with support belt, loop and scrotal (MK2,MK4,MK5)	0441	1	2666
	Incontinaid Reuseable Urinal Bottle	1350	1	865
	Payne's Male Urine Director	0630	1	2505
	Payne's Female Urine Director	0631	1	2506
	PP Urinal Complete with rubber bag/plastic bag	0019	1	7000
	Pubic Pressure Flange			
	25mm with -			
	13mm sheath	0520	1	3138
	17mm sheath	0521	1	3138
	19mm sheath	0522	1	3138
	22mm sheath	0523	1	3138
	32mm with			
	22mm sheath	0524	1	3138
	25mm sheath	0525	1	3138
	38mm with			
	29mm sheath	0526	1	3138
	32mm sheath	0527	1	3138
45mm with				
35mm sheath	0528	1	3138	
38mm sheath	0529	1	3138	
42mm sheath	0530	1	3138	
Coned Top				
Straight				
Small for 25mm flange	0620	1	1363	
Medium for any size flange	0621	1	1363	
Large for any size flange	0622	1	1363	
Curved				
Small for 25mm flange	0623	1	1363	
Medium for any size flange	0624	1	1363	
Large for any size flange	0625	1	1363	

---

**INCONTINENCE APPLIANCES**


---



---

**URINAL SYSTEMS**


---

Manufacturer	Appliance	Order No.	Quantity	List Price p
S G & P Payne	Rubber bag with vent tube (MK1,MK2,MK3,MK7,MK9,MK11)	0910	1	2475
	Reinforced cone top with vent tube			
	Small	0610	1	1794
	Medium	0611	1	1794
	Large	0612	1	1794
	Stoke Mandeville condom urinal complete	0020	1	5777
	Spares for above:			
	Kipper bags	0920	1	3250
	Rubber tube & connector	0712	1	252
	Dry incontinence sheaths			
	plain end	1101	100	1681
	teated end	1106	100	1681
	Rubber tubing			
	latex 8mm	1203	per metre	520
	red 8mm	1204	per metre	520
	latex 10mm	1205	per metre	520
	red 10mm	1206	per metre	520
	Nylon connectors			
	GU	0711	1	147
	SM	0710	1	147
	GU Pattern Stoke Mandeville Condom Set	0021	1	6024
	As above with 1136ml bag	0022	1	7473
	Replacement parts for above urinals			
	Kipper bags - see Leg Bags			
	Nylon studs - GU	0711	1	147
	- SM	0710	1	147
	Nylon stud with latex tube	0712	1	252
	Adjustable web belt			
	Waist size up to 95cm	0304	1	690
	Waist size up to 115cm	0305	1	690
	Waist size up to 150cm	0306	1	690
	Male urinal for day and night use, air tube to bag, inner sheath and diaphragm to receiver, web belt and cotton suspensory bag	IU/9	1	5666
	Male urinal with long narrow bag, web belt and cotton suspensory bag	IU/365	1	5898
	Male urinal for day use, the receiver to contain the penis and scrotum, web waist band and tape understraps	IU/11	1	5412

IXB

---

**INCONTINENCE APPLIANCES**


---



---

**URINAL SYSTEMS**


---

Manufacturer	Appliance	Order No.	Quantity	List Price p
S G & P Payne	Male urinal for night use, similar to IU/11 but the receiver designed for use in bed	IU/12	1	5412
	+ Male urinal to contain penis and scrotum (for the small built man) web belt and tape understraps	IU/11B/893C	1	5412
	Male urinal for day and night use, long rubber bag with two leg straps loops and straps, flanged receiver, air tube, diaphragm and short conical inner sheath, web band and cotton suspensory bag	IU/15/3977	1	5599
	Male urinal for day and night use, short rubber bag, detachable bag and night tube, web belt and cotton suspensory bag	IU/43	1	4511
	Replacement suspension bag - small, medium & large	IU/1458	1	570
<b>+ to be deleted 1 March 2006</b>				
Rusch UK see DBT Medical Ltd				
Salts Healthcare	Male PP urinal			
	- rubber bag	ZL0001	1	5838 △
	- plastic bag (4)	ZL0001	1	5838 △
	Spare parts for above urinal			
	25mm flange			
	18mm sheath	ZL0053	1	2775 △
	32mm flange			
	25mm sheath	ZL0059	1	2775 △
	38mm flange			
	18mm sheath	ZL0060	1	2775 △
	22mm sheath	ZL0061	1	2775 △
	25mm sheath	ZL0062	1	2775 △
	29mm sheath	ZL0063	1	2775 △
	32mm sheath	ZL0064	1	2775 △
	44mm flange			
	35mm sheath	ZL0065	1	2775 △
	38mm sheath	ZL0066	1	2775 △
	Cone - small straight	ZL0100	1	1235 △
	small curved	ZL0101	1	1235 △
	medium straight	ZL0102	1	1235 △
	medium curved	ZL0103	1	1235 △
	large curved	ZL0105	1	1235 △
	ex-large straight	ZL0106	1	1235 △
	Pubic Pressure Flange Belt	ZL0034	1	2437 △
	- plastic bags			
	adult	ZL0152	4	1358 △
	- rubber bag			
adult	ZL0155	1	1358 △	
child	ZL0154	1	1358 △	
transverse	ZL0153	1	1358 △	
- belt	ZL0010	1	413 △	

---

**INCONTINENCE APPLIANCES**


---



---

**URINAL SYSTEMS**


---

Manufacturer	Appliance	Order No.	Quantity	List Price p
Ward Surgical Appliance Co	Jockey Male Urinal	WM27	1	7314
	Varsity Male Urinal	WM14	1	5646
	Day use, covered bag complete with belt suspensory and thigh strap	Fig 4	1	4671
	Male urinal Day and Night use covered bag air vent, belt suspensory	Fig 4A	1	4834
	Male urinal Day and Night use with short bag and belt	Fig 104	1	5004
	As above with covered bag	Fig 104a	1	5424
	As above with double chamber bag	Fig 104b	1	5638
	Male urinal Day and night use with long bag and belt	Fig 105	1	5004
	Paraplegic male urinal	Fig 110	1	6839
	Stoke Mandeville Pattern	WM18	1	6571
	† Stoke Mandeville removeable rubber sheath, double chamber rubber bag, thigh strap and belt	WM18a	1	5902
	Male PP urinal rubber bag	WM19	1	6123
	Stoke Mandeville spare sheaths - rubber	WM20	1	609
	Male PP urinal plastic bag (4)	WM21	1	5425
	Replacement for above			
	PP flange	WM22	1	2809
	PP cone	WM23	1	1110
	Rubber bag	WM24	1	1521
	Plastic bag	WM26	1	304
	Day use, covered bag complete with belt	Fig 2	1	4446
	Night use, covered bag complete with belt suspensory and thigh strap	Fig 5	1	5874
	Day and night use, covered bags, air vent complete with belt, suspensory and thigh strap	Fig 5a	1	5874
	Day and night use, long tube rubber bag with air vent, complete with belt and thigh strap	Fig 6	1	5333
	Male dribbling bag and tapes	Fig 9	1	2170
	Day and night use, short covered bag	Fig 101	1	5004
	Day and night use, short bag & belt	Fig 106	1	5004
	Male urinal - sheath and disc type with long rubber belt	WM53	1	5457
	Male urinal - sheath and suspensory with short covered bag	WM56	1	5457
	Male urinal - sheath and suspensory with long covered bag	WM57	1	5457
	Night urinal with long tube	WM59	1	2637
	Stoke Mandeville sheath type urinal, with 30 rubber film sheaths, rubber bag and thigh strap and belt	WM49	1	5224
	Webbing Belt	WM102	1	924
	Elastic leg strap	WM103	10	528
	Net Suspensory	WM104	1	1215
	Spare rubber bag with vent	WM105	1	2639
	Spare Receiver	WM106	1	3800

IXB

†to be deleted 1 April 2006

---

**INCONTINENCE APPLIANCES**

---

---

**MANUFACTURERS' ADDRESSES AND TELEPHONE NUMBERS  
(INCONTINENCE APPLIANCES)**

---

A1 Pharmaceuticals PLC, Unit 3 and 4 Bessemer Park, 250 Milkwood Road, Herne Hill, London SE24 0HG  
(0207 7387373)

Astra Tech Ltd, Stroud Water Business Park, Brunel Way, Stonehouse, Gloucester GL10 35W (01453 791763)

B. Braun Medical Ltd, Thorncliffe Park, Sheffield, S35 2PW (0114 225 9000)

Bard Ltd, Forest House, Brighton Road, Crawley, West Sussex RH11 9BP (01293 527888)

Beambridge Medical, 46 Merrow Lane, Burpham, Guildford, Surrey GU4 7LQ (01483 827696/01483 571928)

Bio Diagnostics, Upton Industrial Estate, Rectory Road, Upton-upon-Severn, Worcestershire WR8 0LX  
(01684 592262)

C S Bullen Ltd, 3-7 Moss Street, Liverpool L6 1EY (0151 2076995/6/7/8)

Camp Ltd, Northgate House, Staple Gardens, Winchester, Hampshire SO23 8ST (01962 855248)

CliniMed Ltd, Cavell House, Knaves Beech Way, Loudwater, High Wycombe, Bucks, HP10 9QY  
(01628 850100)

CliniSupplies Ltd, Unit 9 Crystal Way, Elmgrove Road, Harrow, Middlesex, HA1 2HP (0208 8634168)

Coloplast Ltd, Peterborough Business Park, Peterborough PE2 6FX (01733 392000)

ConvaTec Ltd, Unit 20, First Avenue, Deeside Industrial Park, Deeside, Clywd CH5 2NU (01244 586244)

DBT Medical Ltd, 14 Eagle Industrial Estate, The Crofts, Witney, OX28 4DJ (01993 773673)

Dow Corning Ltd, Kings Court, 185 Kings Road, Reading, Berkshire RG1 4EX (01734 596888)

Ellis, Son & Paramore Ltd, Spring Street Works, Sheffield, S3 8PD (0114 2738921/221269)

Engineers & Doctors Ltd, Cornwallis House, Howard Chase, Basildon, Essex SS14 3BB (0800 1699189)

Flexicare Medical Ltd, Cynon Valley Business Park, Mountain Ash, Mid-Glamorgan, CF45 4ER (01443 474647)

Fry Surgical International Ltd, Unit 17, Goldsworth Park Trading Estate, Woking, Surrey, GU21 3BA  
(01483 721404)

Genesis Medical Ltd, Linton House, 39-51 Highgate Road, London, NW5 1RT (0207 2842824)

GF Products, 3 Newnham Lane, Burwell, Cambridgeshire, CB5 0EA (01638 610028)

GP Supplies Ltd, Unit 1 behind AMC House, 12 Cumberland Avenue, Park Royal, London, NW10 7QL  
(0845 458 4040)

GTA (UK) Ltd, 34 Nottingham South Industrial Estate, Ruddington Lane, Wilford, Nottingham, NG11 7EP  
(0115 9815703)

Hollister Ltd, Rectory Court, 42 Broad Street, Wokingham, Berkshire, RG40 1AB (0118 989 5000)  
(Retail Pharmacy Order Line 0800 521392)

Hospital Management & Supplies Ltd, Salthouse Road, Brackmills, Northampton, NN4 0U4 (01604 704600)

Hunter Urology Ltd, 1 The Stable Yard, Woodhayes, Honiton, Devon, EX14 4TP (01404 44088)

Jade-Euro-Med Ltd, Unit 14, East Hanningfield Industrial Estate, Old Church Road, East Hanningfield,  
Chelmsford, Essex, CM3 8BG (01245 400413)

JBOL Ltd, 1 Folley Bridge, Oxford, OX1 4LB (01865 240572)

JLJ Healthcare Ltd, Number One 61 Whitehall Road, Halesowen, West Midlands, B63 3JS (0121 6023943)



---

**INCONTINENCE APPLIANCES**


---



---

**MANUFACTURERS' ADDRESSES AND TELEPHONE NUMBERS (INCONTINENCE APPLIANCES)**


---

L.IN.C Medical Systems Ltd, Loddington House, Main Street, Loddington, Leicestershire, LE7 9XE (01572 717515)

LRC Products Ltd, North Circular Road, London E4 8QA (0208 5272377)

Malvern Medical Developments Ltd, Unit 10, Northbrook Close, Worcester, WR3 8BP (01905 731343)

Manfred Sauer GmbH: (UK Branch), Unit 3 io Centre, Lodge Farm, Northampton NN5 7UW (0870 1904100)

Medasil (Surgical) Ltd, Medasil House, Hunslet Road, Leeds LS10 1AU (0113 2433491)

Mentor Medical Ltd, Building 10, Commerce Way, Lancing, West Sussex BN15 8TJ (01903 761122)

Neomedic Ltd: distributed by GP Supplies Ltd

North West Medical Supplies Ltd, Premier House, Southgate Way, Orton Southgate, Peterborough, PE2 6YG (01733 361336)

S G & P Payne, Percy House, Brook Street, Hyde, Cheshire SK14 2NS (0161 3678561)

Pennine Healthcare Ltd, City Gate, London Road, Derby DE24 8WY (01332 794880)

Porges Ltd, 1 Onslow Street, Guildford, Surrey, GU1 4YS (01483 554120)

ProSys International Ltd see CliniSupplies Ltd

Rand Rocket Ltd, ABCare House, Walsworth Road, Hitchin, Herts SG4 9SX (01462 58871)

Rochester Medical Corporation: distributed by Jade Euro-Med Ltd

Rusch UK see Teleflex Medical and DBT Medical Ltd

Salts Healthcare, Saltair House, Lord Street, Birmingham B7 4DS (0121 3595123)

Shiloh Healthcare Ltd: Lion Mill, Fitton Street, Royton, Oldham, OL2 5JX (0161 624 5641)

Teleflex Medical, Stirling Road, Cressex Business Park, High Wycombe, Buckinghamshire, HP12 3ST (01494 532761)

The Kendall Company (UK) Ltd: 154 Fareham Road, Gosport, Hampshire, PO13 0AS (01329 224280)

Universal Hospital Supplies, 313 Chase Road, London N14 6JA (0208 9206207)

Unomedical Ltd, Thornhill Road, North Moons Moat, Redditch, Worcestershire B98 9NL (01527 64222)

VitalCare Trading UK Limited, 500 Gale Street, Dagenham, Essex, RM9 4NU (0208 5177721)

Ward Surgical Appliance Company Ltd, 57A Brightwell Avenue, Westcliffe-on-Sea, Essex, SS0 9EB (01702 354064)



---

**INCONTINENCE APPLIANCES**

---

This Page is Intentionally Blank

---

**STOMA APPLIANCES**


---

**STOMA APPLIANCES**  
**(Colostomy, Ileostomy, Urostomy)**

1. Prescribers and suppliers should note that products not included in the list are not prescribable (See Part I Clause 2).
2. Where the information is available, the "**Reference Capacity**" of a stoma bag will be given. This is intended to give a guide of comparison between different bag sizes, but *should not be taken to indicate actual usable capacity*. "Reference Capacity" shall be measured according to BS 7127:Part 101:1991, Appendix M, with the level of water set at the lower edge of the opening of wafer or flange.
3. Only basic information has been provided and prescribers may on occasions wish to seek further information about certain products eg when assessing a patient for the first time. If so this is always available from the manufacturers (addresses and telephone numbers are given at the end of the entry). Information may also be sought from stoma nurses and community pharmacists.
4. Where the prescriber has not specified the type of appliance or part thereof or accessory, the pharmacy or appliance contractor must endorse the prescription form stating the type supplied and submit the invoice if requested by the Prescription Pricing Authority.

**List of components and accessories**

	<u>Page</u>
Adhesive Discs/Rings/Pads/Plasters	228
Adhesives (Pastes, sprays, solutions)	230
Adhesive Removers (Sprays, Liquids, Wipes)	231
Bag Closures	232
Bag Covers	233
Belts	235
Colostomy Bags - see also Two Piece Ostomy Systems	242
Colostomy Sets	275
Deodorants	276
Discharge Solidifying Agents	277
Filters/Bridges	278
Flanges	279
Ileostomy (Drainable) Bags - see also Two Piece Ostomy Systems	282
Ileostomy Sets	320
Irrigation/Wash-Out Appliances	321
Pressure Plates/Shield	322
Skin Fillers and Protectives (Barrier creams, pastes, aerosols, lotions, gels, wipes)	324
Skin Protectors (Wafers, blankets, foam pads, washers)	326
Stoma Caps/Dressings	330
Tubing	331
Two Piece Ostomy Systems	332
Urostomy Bags - see also Two Piece Ostomy Systems	364
Urostomy Sets	378

IXC

---

**Manufacturers' Addresses and Telephone Numbers**

379

## STOMA APPLIANCES

## ADHESIVE DISCS/RINGS/PADS/PLASTERS

Manufacturer	Appliance	Order No.	Quantity	List Price p
For a list of adhesive tapes prescribable under Drug Tariff see Part IXA				
C S Bullen Ltd	Double-sided Adhesive Plaster Zinc Oxide			
	89mm x 89mm	UF 33	10	426
	102mm x 102mm	UF 34	10	526
	127mm x 127mm	UF 35	10	888
	Double Sided Adhesive Plastic Acrylic Base			
	89mm x 89mm	UF 62	10	382
	102mm x 102mm	UF 63	10	491
	127mm x 127mm	UF 64	10	826
	Flange Retention Strips			
	102mm x 25mm	UF 440	100	381
	102mm x 51mm	UF 441	100	516
CliniMed Ltd Essentials Accessories	HydroFrame Flange Extenders	WAF H33	20 (strips)	1266
Mentor Medical Ltd	Chiron Clearseal Plasters			
	100mm square -			
	19mm opening	WJ050-19-K	10	795
	35mm opening	WJ050-34-F	10	795
	Kidney Seals - Adhesive Flange Retaining Strips			
	Small	WJ250-51-T	10	541
	Large	WJ250-75-J	10	541
	Double Sided - Adhesive Discs			
	76mm diam -			
	19mm opening	WJ002-19-R	10	510
	25mm opening	WJ002-25-L	10	510
	90mm diam -			
	32mm opening	WJ005-32-V	10	510
	38mm opening	WJ005-38-J	10	510
	Chiron Double-Sided Plasters			
	90mm square -			
	19mm opening	WJ010-19-N	10	692
	35mm opening	WJ010-35-L	10	692
	102mm square -			
	19mm opening	WJ011-19-S	10	795
	35mm opening	WJ011-35-Q	10	795
	127mm square -			
	19mm opening	WJ012-19-W	10	877
	35mm opening	WJ012-35-U	10	877
	150mm square -			
	19mm opening	WJ013-19-B	10	980
	102mm x 76mm -			
	19mm opening	WJ014-19-F	10	980
	102mm square -			
	25mm opening	WJ016-25-J	10	980
	125mm square -			
	25mm opening	WJ018-01-C	10	1075

## STOMA APPLIANCES

## ADHESIVE DISCS/RINGS/PADS/PLASTERS

Manufacturer	Appliance	Order No.	Quantity	List Price p	
Mentor Medical Ltd	Carshalton Plasters Acrylic				
	25mm	48-530-40	10	542	
	32mm	48-530-59	10	542	
	38mm	48-530-67	10	542	
	Carshalton Plasters Foam Ring				
	25mm	48-538-49	10	859	
	32mm	48-538-57	10	859	
	38mm	48-538-65	10	859	
	OstoMart Ltd	Ostofix Flange Security Tape			
2.5cm x 10cm		DGW1	100	396	
5cm x 10cm		DGW2	100	687	
Salts Healthcare	Transacryl Double Sided Plaster				
	25mm	833018	10	646 △	
	32mm	833019	10	646 △	
	38mm	833020	10	646 △	
	Reliaseal Double-sided hypo-allergic adhesive disc				
	13mm round	906009	10	1962 △	
	19mm round	906011	10	1962 △	
	25mm round	906013	10	1962 △	
	32mm round	906015	10	1962 △	
	38mm round	906016	10	1962 △	
	T J Shannon Ltd	Easychange spare plasters with rings		5	655
		Rubber retaining ring	TJS 948h	5	662
Double sided plasters		TJS 948a	25	1656	
A H Shaw & Partners Ltd	Double Side plasters				
	128mm x 128mm hole cut to size	NSI 46	10	879	
	102mm x 102mm hole cut to size	NSI 49	10	847	
Ward Surgical Appliance Co	Double-Sided Plasters with opening	WM17	10	450	
	Single-Sided Waterproof Plaster Strips				
	100mm x 25mm	WM17a	10	123	
	100mm x 50mm	WM17b	10	185	
Welland Medical Ltd	See CliniMed Ltd Essentials Accessories				

IXC

## STOMA APPLIANCES

## ADHESIVE PASTES, SPRAYS, SOLUTIONS

Manufacturer	Appliance	Order No.	Quantity	List Price p
Hollister Ltd	Medical Adhesive Aerosol	7730	90g	1609
Manfred Sauer GmbH	* Original Skin Latex Adhesive in a 28g tube with a long pipette/nozzle applicator.	50.01	2	869
	* Pure Latex Skin Adhesive without any skin care components giving a stronger bond, in a 28g tube with a long pipette/nozzle applicator.	50.00	2	854
	* Lanolin Free Latex Skin Adhesive for people allergic to lanolin, in a 28g tube with a long pipette/nozzle applicator.	50.03	2	854
	* 50% reduction in skin care components, in a 28g tube with a long pipette/nozzle applicator.	50.05	2	854
	* 2% Resin giving a stronger bond than the original adhesive 50.01, in a 28g tube with a long pipette/nozzle applicator. Should only be tried after 50.01 is found to be too weak.	50.20	2	854
	* 12% Resin giving a stronger bond than the 2% resin adhesive 50.20, in a 28g tube with a long pipette/nozzle applicator. Should only be tried after 50.20 is found to be too weak.	50.22	2	854
	* Synthetic Skin Adhesive in a 28g tube with a long pipette/nozzle applicator.	50.36-2	2	1525
	* Synthetic Skin Adhesive in a 45ml bottle with brush in the lid	50.36	1	1525
Salts Healthcare	Latex Adhesive Solution	833005	28ml	226 △
	* Safe for direct application on the skin			

## STOMA APPLIANCES

## ADHESIVE REMOVERS (SPRAYS, LIQUIDS, WIPES)

Manufacturer	Appliance	Order No.	Quantity	List Price p
CliniMed Ltd Essentials Accessories	Appeel No Sting Medical Adhesive Remover	3505	30 wipes	1470 △
		3500	50ml aerosol	887 △
	Clear Peel Adhesive Remover	3910	50ml	312
Coloplast Ltd	Comfeel Cleanser	4710	180ml bottle	1656
		4715	30 sachets	853
ConvaTec Ltd	ConvaCare Adhesive Remover Wipes	S208	100 wipes	1700
Hollister Ltd	Adhesive Remover	7731	76g	1372
	Universal Remover Wipes	7760	50	1284
Opus Healthcare Ltd	Lift medical Adhesive Remover	5500	30 sachets	870
		5501	100ml bottle	601
	Lift Plus Medical Adhesive Remover	5502	30 sachets	1420
	Ultra Cleanse	5503	50ml spray	865
		4400	30 sachets	853
4401	200ml bottle	1656		
OstoMart Ltd	OstoCLEAR	MRW1	30 sachets	856
		MRW2	100ml bottle	938
Pelican Healthcare	Citrus Fresh Adhesive Remover	133000	30 sachets	868
		133002	100ml	586
Salts Healthcare	Wipe Away Adhesive Remover	WA1	30 sachets	866 △

IXC

## STOMA APPLIANCES

**BAG CLOSURES**  
 (Available separately from the bags)

Manufacturer	Appliance	Order No.	Quantity	List Price p
C S Bullen Ltd	Plastic Bag Clamp	400	10	650
	Soft Wire Ties	410	50	550
CliniMed Ltd Essentials Accessories	Closure Clamps (Drainable Bags)	3750	1	117
CliniMed Ltd	Soft-end Ties White	9760	30	284
Coloplast Ltd	Coloplast Clamp	9503	20	2028
ConvaTec Ltd	Clips (Beige) (1-pce pouch)	S207	10	326
	Soft Wire Ties	S205	50	563
	Curved Clip for Drainable Pouches	S202	10	576
Dansac Ltd	Opaque Soft Wire Ties	095-01	50	573
	Opaque Longer Soft Wire Ties	095-02	50	656
Hollister Ltd	Drainable Pouch Clamp Beige	8770	1	120
			10	1018
Mentor Medical Ltd	Closure Clips for Odourproof Bags	WN110-01-E	10	734
	Bag Clamp	32-285-17	10	950
Pelican Healthcare Ltd	Drainable Pouch Clips	130406	20	674
Salts Healthcare	Closure Clips	833044	5	215 △
	Drainable Pouch Clips	CL1	10	753 △



## STOMA APPLIANCES

## BAG COVERS

**Note:**

These stoma bag covers can be washed and reused many times. Cloth fabric ♦ types are more durable than those made of non-woven fabric ◊. Refer to the manufacturer's instructions.

Manufacturer	Appliance	Order No.	Quantity	List Price p
C S Bullen Ltd	♦ Night Bag Cover	UF57	1	857
	♦ Day Bag Cover	UF58	1	857
Coloplast Ltd	♦ Closed MC2000/MC2002			
	White	9011	5	2565
	Flesh	9021	5	2565
	♦ Open MC2000/MC2002			
	White	9012	5	2565
	Flesh	9022	5	2565
	♦ Mini Decorated Open MC2000			
	White	9013	5	2565
	Flesh	9023	5	2565
	♦ URO 2002 4260 White	9014	5	2565
URO 2002 4240	9015	5	2565	
URO 2002 4241	9016	5	2565	
♦ ILEO B (Standard)	9003	5	2565	
Cover Care	♦ Cover Care Pouch Covers			
	Mini 32/38mm pouches	L198	3	757
	45/57mm pouches	L199	3	757
	Large Urostomy pouches	L200	3	801
	Standard Drainable pouches & urostomy pouches	L201	3	801
	Small 38/45 mm closed pouches small drainable pouches, combihesive closed pouches	L203	3	801
Medium 57 & 70mm closed pouches	L204	3	801	
Hi-Line Ltd	♦ Coversure Custom-made Covers			
	Appliance to be stated			
	White	Res C1	1	905
	Stone	Res C2	1	905
White/Lace Front	Res C3	1	905	
Impharm Nationwide Ltd	♦ Ostocovers (white or coloured)		3	698
Jade-Euro-Med Ltd	♦ Bag Cover	KM51	1	486

IXC

## STOMA APPLIANCES

## BAG COVERS

Manufacturer	Appliance	Order No.	Quantity	List Price p
Mentor Medical Ltd	◆ Cotton Bag Cover			
	Day Size	WN124-01-C	1	1196
	Night Size	WN125-04-N	1	1196
	◆ Cotton Cover to fit Redifit Bags			
	25mm & 32mm opening	WN103-01-M	1	853
	38mm, 44mm & 51mm opening	WN103-04-T	1	853
	64mm & 75mm opening	WN103-07-A	1	853
	◆ Cotton Stomabag Covers			
	White	32-238-84	5	2684
	† Coloured	32-239-81	5	2684
†to be deleted 1 April 2006				
	◇ "Symphony" Polythene Bag Cover	32-286-06	5	497
Salts Healthcare	◆ Salts Cotton Bag Cover (appliance to be stated)	833029	1	420 △
	◆ Eakin Cotton Bag Covers			
	Size of opening			
	Small	839030	1	488 △
		839031	1	488 △
	Large	839033	1	488 △
		839034	1	488 △
		839035	1	488 △
A H Shaw & Partners Ltd	◆ Day Bag Cover			
	Cotton	NSI 48	1	557
	Lyra	NSI 44	1	587
	◆ Night Bag Cover			
Cotton	NSI 47	1	587	
Lyra	NSI 45	1	630	
Ward Surgical Appliance Co	◆ White Linen Cover	15	1	652

## STOMA APPLIANCES

## BELTS

Manufacturer	Appliance	Order No.	Quantity	List Price p
B. Braun Medical	Almarys Twin Belt (support) 120mm for Two Piece System	31780	1	461
	Biotrol Waist Belt	F00780E	1	469
C S Bullen Ltd	Elastic Belt, 102mm deep with wire ring retainer			
	Small	UF 70	1	1472
	Medium	UF 71	1	1472
	Large	UF 72	1	1472
	38mm Elastic Belt with wire ring retainer			
	Small	UF 44	1	1035
	Medium	UF 45	1	1035
	Large	UF 46	1	1035
	25mm Elastic Belt with plastic retainer ring shield	UF 47	1	1095
	Waterproof Canvas retaining shield			
	Small	UF 48	1	1588
	Medium	UF 49	1	1588
	Large	UF 50	1	1588
	St Mark's Belt	UF551	1	4251
	Fitting windows in Stoma belt for use with ileostomy bags or colostomy cups	UF 561	1	501
	Camilla Panty Girdle	BS210	1	1962
	Cloe Roll-on Girdle	BS225	1	1635
	Constance Panty Girdle	BS200	1	2593
J. Chawner Surgical Belts Ltd	Made to Measure Colostomy Belt with hole over stoma right and or left including steels; understraps, suspenders & zip as standard made in Lycra	FC1	1	3130
Coloplast Ltd	Ileo Belt	0402	1	880
	K Flex Belt	0420	1	671
	Assura Seal Belt	0421	1	647
	Corsinel Made to measure support garments			
	Female 160010-160960		1	7837
	162010-162080		1	7837
	162340-162480		1	7837
	Male 170010-170480		1	7837
	172010-172040		1	7837
	172180-172240		1	7837
ConvaTec Ltd	System 2 Belt	S210	1	326

IXC

## STOMA APPLIANCES

## BELTS

Manufacturer	Appliance	Order No.	Quantity	List Price p
CoverCare	Male Support Belt			
	Waist Size:			
	Small 65-75cm	L100	1	2899
	Medium 77.5-87.5cm	L101	1	2899
	Large 90-100cm	L102	1	2899
	Ex- Large 102.5-112.5cm	L103	1	2899
	Provision for hole aperture	HOLE	1	555
	(Patients who require a hole in belt should ensure belt fits correctly and with it on, ask stoma care nurse to mark central position of stoma with a cross (X); and return belt to supplier with sample of pouch used so that hole in belt can be customised to fit individual requirements).			
Cuiwear Ltd	Fulcionel Female	F301-F380	1	6950
	Male	M101-M140	1	6950
Dansac Ltd	Dansac Belt & Plate Pack			
	1 adjustable elasticated belt with 5 plates suitable for one and two piece appliances			
	50-63mm	09075-0000	1	4089
	Dansac Belt Pack			
	5 adjustable elasticated belts			
	50-63mm	09000-0000	5	4089
Dansac Ltd	Dansac Long Ostomy Belt			
	White 150cm	090-01	1	729
	Beige 100cm	090-02	1	729
	Beige 150cm	090-03	1	729
DBT Medical Ltd (formerly Rusch UK)	Birkbeck Elastic Waistband & Shield			
	19mm	LM725219	5	4860
	38mm	LM725238	5	4860
	54mm	LM725254	5	4860
	Birkbeck Retaining ring - for use with above			
	19mm	LM725319	5	921
	38mm	LM725338	5	921
	54mm	LM725354	5	921
	Birkbeck Elastic Waist band	LM725100	5	3694
	White Rubber Belting			
28mm wide	LM810063	per metre	404	
72mm wide	LM811001	per metre	834	
White Sausage Belt	LM810004	per metre	831	
Hi-Line Ltd	Breathable Stretch Unisex Ostomy Belt 21cm deep.			
	Sizes Small, Medium, Large, X Large, XX Large and XXX Large.			
	With hole over stoma if required	Res 6	1	2957
	Breathable Stretch Unisex Ostomy Belt 13.5cm deep			
	Sizes Small, Medium, Large, X Large, XX Large and XXX Large.			
	With hole over stoma if required	Res 6b	1	2396
Lightweight Support Belt 13cm wide.				
Small, Medium, Large, X Large, XX Large, XXX Large Hook & Eye or Velcro Fastening				
With hole over stoma	Res 3	1	2687	

## STOMA APPLIANCES

## BELTS

Manufacturer	Appliance	Order No.	Quantity	List Price p
Hi-Line Ltd	Lightweight Support Belt (long) 21cm wide			
	Small, Medium, Large, X Large, XX Large, XXX Large Hook & Eye or Velcro Fastening With hole over stoma	Res 4	1	3118
	Ladies Ostomy belt including hole over stoma optional detachable suspenders* *please indicate on order if required	Res 5	1	3719
	Medium control Ostomy Girdle/Pantie Brief including hole over stoma With suspenders as required	Res 2	1	4191
	Ostomy Girdle/Pantie Brief including hole over stoma With suspenders as required	Res 1	1	4264
	Seamless Two Way Stretch Unisex Colostomy Belt 26cm Deep Small, Medium, Large, X Large, XX Large	Res 7	1	2219
	Seamless Two Way Stretch Unisex Colostomy Belt 27cm and above Small, Medium, Large, X Large, XX Large	Res 8	1	2483
	Hollister Ltd	Adapt Belt 66-109cm	7300	1
			10	6278
74-124cm		7299	1	755
			10	6278
Jade-Euro-Med Ltd	Belt/double cotton face piece for St. Marks flange. STATE HOLE SIZE	KM 22	1	1639
	Belt/double cotton face piece with elastic fixing for St. Marks flange. STATE HOLE SIZE	KM 23	1	2138
	Belt/double cotton face piece with tapes fixing for St. Marks flange. STATE HOLE SIZE	KM 24	1	2161
	St Mark's Pattern Col. Belt Male	KM 30	1	6263
	Female	KM 31	1	6263
	Ostomy Web and Elastic Belt with Button & Buckle Fastening 25mm	KM 25	1	909
	Fastening 51mm	KM 26	1	1076
	Fastening 76mm	KM 27	1	1240
Ostomy Girdle or Pantie Brief, Hole over Stoma with or without Suspenders & or under-strap (Range=KM2101 - KM2126)	KM 21	1	5306	
Marlen USA	Adjustable Elastic Waist Belt	5004	1	270
Mentor Medical Ltd	Web & Elastic Belt 25mm wide Small	WL002-25-01-S	1	1165
	Medium	WL002-25-02-U	1	1165
	Large	WL002-25-03-W	1	1165
	51mm wide Lengths: 81cm	WL002-51-32-D	1	1359
	86cm	WL002-51-34-H	1	1359
	91cm	WL002-51-36-M	1	1359

IXC

## STOMA APPLIANCES

## BELTS

Manufacturer	Appliance	Order No.	Quantity	List Price p
Mentor Medical Ltd	97cm	WL002-51-38-R	1	1359
	102cm	WL002-51-40-C	1	1359
	107cm	WL002-51-42-G	1	1359
	112cm	WL002-51-44-L	1	1359
	75mm wide			
	Lengths:			
	81cm	WL002-75-32-G	1	1522
	91cm	WL002-75-36-Q	1	1522
	97cm	WL002-75-38-U	1	1522
	Short Web End and Buckle	WL005-25-P	1	786
	Web & Elastic Belt (25mm wide)			
	61cm	WL008-25-24-U	1	1229
	71cm	WL008-25-28-D	1	1229
	76cm	WL008-25-30-P	1	1229
	81cm	WL008-25-32-T	1	1229
	91cm	WL008-25-36-C	1	1229
	Narrow Belt			
	Flange diam (38mm)			
	91cm	WL111-38-36-R	1	2424
	97cm	WL111-38-38-V	1	2424
	102cm	WL111-38-40-G	1	2424
	Redifit Adjustable Belt			
	Small	WL123-01-H	1	980
	Medium	WL123-04-P	1	980
	Large	WL123-07-V	1	980
	Web & Elastic Belt Child			
	25mm wide			
	71cm	WL129-25-28-J	1	980
	38mm wide			
	56cm	WL129-38-22-P	1	1365
	61cm	WL129-38-24-T	1	1365
	66cm	WL129-38-26-X	1	1365
	71cm	WL129-38-28-C	1	1365
	76cm	WL129-38-30-N	1	1365
	81cm	WL129-38-32-S	1	1365
	91cm	WL129-38-36-B	1	1365
	97cm	WL129-38-38-F	1	1365
	Elastic Non-Slip Belt			
	81cm	WL132-25-32-L	1	1364
	86cm	WL132-25-34-Q	1	1364
	91cm	WL132-25-36-U	1	1364
	97cm	WL132-25-38-Y	1	1364
	102cm	WL132-25-40-K	1	1364
	112cm	WL132-25-44-T	1	1364
	Non-slip belt			
	61cm	WL133-01-24-Q	1	1998
	76cm	WL133-01-30-K	1	1998
	81cm	WL133-01-32-P	1	1998
	86cm	WL133-01-34-T	1	1998
	91cm	WL133-01-36-X	1	1998
	97cm	WL133-01-38-C	1	1998
	102cm	WL133-01-40-N	1	1998

## STOMA APPLIANCES

## BELTS

Manufacturer	Appliance	Order No.	Quantity	List Price p
Mentor Medical Ltd	Night Belt Two Way Stretch			
	Small	WL236-01-H	1	2731
	Medium	WL236-04-P	1	2731
	Large	WL236-07-V	1	2731
	Extra Large	WL236-09-A	1	2731
	Carshalton Belt			
	Medium	48-522-22	1	1033
	Large	48-524-19	1	1033
	Stoma Belt			
	Small - 43cm - 66cm	32-247-83	1	647
	Medium - 66cm x 109cm	32-248-80	1	636
Oakmed Ltd	Made to Measure Ostomy Belt	B100	1	7532
	Made to Measure Pantie Girdle	P200	1	4885
	Made to Measure Ostomy Girdle	G300	1	4885
Omex Medical Ltd	Schacht Belt 91.5cm	780251	1	536
Orthotic Services Ltd	Made to Measure Ostomy Girdle in white - hole or panel over stoma as required; zips and suspenders as standard	OSL-012	1	3195
	(A measuring chart is available on application)			
OstoMart Ltd	Ostoshield (belt required)	Res50	1	667
	Ostoshield Belt Small/Medium only for use with Res 50 - Ostoshield	Res40	1	344
	Ostoshield Belt Large/Extra Large Only for use with Res 50 - Ostoshield	Res45	1	344
J C Peacock & Son Ltd	+ St Marks Pattern Belt	Peak 1	1	3815
<b>+ to be deleted 1 March 2006</b>				
Pelican Healthcare Ltd	Pelican Adjustable Ostomy Belt	133006	1	707
Rusch UK see DBT Medical Ltd				
E Sallis Ltd	Colostomy Belt for Night use	14b	1	1178
		14c	1	614
	Day use	15a	1	3244
	Ostomy Girdle/Pantie Brief including hole over stoma, with suspenders as required			
	Made in elastane	Fit 15c	1	4109
	St Mark's Hospital Pattern			
	Colostomy Shield	17	1	1059

IXC

## STOMA APPLIANCES

## BELTS

Manufacturer	Appliance	Order No.	Quantity	List Price p
Salts Healthcare	Standard Adjustable Ostomy Belt Beige 100cm	ABO1	1	737 △
	Eakin Stoma Support Belt with IsoFlex 20cm depth			
	Small (75-90cm)	839051	1	4669 △
	Medium (90-105cm)	839052	1	4669 △
	Large (105-120cm)	839053	1	4669 △
	X Large (120-135cm)	839054	1	4669 △
	26cm depth			
	Small (75-90cm)	839061	1	5188 △
	Medium (90-105cm)	839062	1	5188 △
	Large (105-120cm)	839063	1	5188 △
	X Large (120-135cm)	839064	1	5188 △
	25mm Single Elastic Belt with 2 loops:			
	Standard 89cm long	877002	1	389 △
	Ex-large 107cm long	877024	1	389 △
	25mm Single Elastic Belt with suspender ends	877007	1	456 △
	102mm Elastic Belt with waterproof panel	877008	1	1595 △
	With 4 loops & retaining ring	877009	1	2097 △
	25mm Button Belt	877011	1	389 △
	Button & Loop Belt	877012	1	389 △
	Baby Lycra Belt With Velcro Fastening			
Standard 89cm long	877022	1	396 △	
Ex-large 107cm long	877023	1	396 △	
150mm Elastic Belt with Waterproof Panel	877017	1	1943 △	
Colostomy Belt	877018	1	7989 △	
Eakin Elasticated Belt				
Small	839029	1	384 △	
Large	839036	1	384 △	
SASH	Made to Measure 50mm polyester webbing Stoma Hernia Support Belt attached to plastic flange with hole over stoma			
		S1	1	3483
	(Patients are required to complete an Order Form obtainable from Stoma Care Nurses or SASH (Address: Woodhouse, Woodside Road, Hockley, Essex, SS5 4RU Tel 01702 206 502) detailing waist size and enclosing a sample of pouch used so that the hole within the belt flange can be customised to fit individual requirements)			
T J Shannon Ltd	Elastic Belt (with button & buckle fastening)	TJS 962d	1	494
A H Shaw & Partners Ltd	Colostomy Belt 102mm wide elastic web made to measure	NSI 10	1	1592
	102mm Ostomy Belt			
	With groin strap	NSI 10A	1	1821
	With lace fastenings	NSI 11	1	1935
	With wire spring	NSI 12	1	1782
	Double zip panel	NSI 36	1	923
	Colostomy Belt 152mm wide made to measure			
	With under-strap	NSI 13	1	2133
	With lace fastenings	NSI 14	1	2884
	Colostomy Belt 205mm wide made to measure			
	With under-strap	NSI 15	1	3062
	With lace fastenings	NSI 16	1	3655



## STOMA APPLIANCES

## BELTS

Manufacturer	Appliance	Order No.	Quantity	List Price p	
A H Shaw & Partners Ltd	255mm Belt made to measure	NSI 17	1	3476	
	With zip panel	NSI 18	1	4387	
	306mm Belt made to measure	NSI 19	1	3820	
	With zip panel	NSI 20	1	4653	
	357mm Belt made to measure	NSI 21	1	3896	
	With zip panel	NSI 22	1	4870	
	Colostomy/Ileostomy Adjustable Belt				
	25mm wide	NSI 23	1	923	
	102mm wide 3 sections	NSI 24	1	2335	
	154mm wide 3 sections	NSI 25	1	2944	
	Colostomy Night Belt in net or rayon, no hole, for use with dressing pad	NSI 32	1	1699	
	Ward Surgical Appliance Co	Day Colostomy Belt made to measure All sizes	23	1	4116
		Night Colostomy Belt, made to measure, in White cellular material			
		All sizes	24	1	3030
Nylon Elastic Colostomy belt hook & eye fastening, complete with 2 pairs suspenders or under-straps					
All sizes		25	1	4252	
Gabriel type Colostomy belt with 2 pairs suspenders or under-straps					
All sizes		26	1	4805	
Wide second stage rubberised ileostomy belt with 2 straps, and buttonholed ends for use with ileostomy boxes, or with celluloid hook ends for use with ileostomy bags		19	1	2415	
As above - with under-straps or suspenders		20	1	2715	
Fitting "windows" in belt for use with ileostomy bags or colostomy cups, or 4 stitched holes for studs of colostomy cups or shields		35	1	438	
Web and Elastic Belt with button and buckle fastening					
25mm wide		WM 25	1	783	
51mm wide		WM 51	1	1010	
76mm wide		WM 75	1	1147	
Hookend Elastic Belt	WM 86	1	1093		
Welland Medical Ltd	Welland Universal Belt System. 5 Universal belt rings with 1 adjustable elasticated belt				
	67mm belt ring	BLT067	1	3458	
	77mm belt ring	BLT077	1	3458	
	82mm belt ring	BLT082	1	3458	
	92mm belt ring	BLT092	1	3458	
	Universal Belt System Large (5 belt rings with 1 adjustable elasticated belt)				
	67mm belt rings	BLT167	1	3458	
	77mm belt rings	BLT177	1	3458	
	82mm belt rings	BLT182	1	3458	
	92mm belt rings	BLT192	1	3458	

IXC

## STOMA APPLIANCES

## COLOSTOMY BAGS

Manufacturer	Appliance	Order No.	Quantity	List Price p
B. Braun Medical	<b>Biotrol</b>			
	Colo S bag with skin protector adhesive			
	White 25mm	32-525	30	7282
	30mm	32-530	30	7282
	35mm	32-535	30	7282
	40mm	32-540	30	7282
	45mm	32-545	30	7282
	50mm	32-550	30	7282
	60mm	32-560	30	7282
	Elite bag with filter, skin protector adhesive, fabric backing			
	Beige starter hole	36-810	30	7681
	25mm	36-825	30	7681
	30mm	36-830	30	7681
	35mm	36-835	30	7681
	40mm	36-840	30	7681
	45mm	36-845	30	7681
	50mm	36-850	30	7681
	60mm	36-860	30	7681
	70mm	36-870	30	7681
	Transparent starter hole	30-810	30	7234
	25mm	30-825	30	7135
	30mm	30-830	30	7135
	35mm	30-835	30	7135
	40mm	30-840	30	7135
	45mm	30-845	30	7135
	50mm	30-850	30	7135
	60mm	30-860	30	7135
	70mm	30-870	30	7135
	White starter hole	32-815	30	7681
	25mm	32-825	30	7681
	30mm	32-830	30	7681
	35mm	32-835	30	7681
	40mm	32-840	30	7681
	45mm	32-845	30	7681
	50mm	32-850	30	7681
	60mm	32-860	30	7681
	70mm	32-870	30	7681
	Elite Petite bag with filter, skin protector adhesive, fabric backing			
	Beige starter hole	37-310	30	6529
	25mm	37-325	30	6529
	30mm	37-330	30	6529
	35mm	37-335	30	6529
	40mm	37-340	30	6529
	45mm	37-345	30	6529
	Mini S size (reference capacity : 75-69ml (see Note 2, page 227)) with filter, skin protector adhesive, fabric backing			
	Beige 25mm	33-025	30	6008
	30mm	33-030	30	6008
	35mm	33-035	30	6008
	40mm	33-040	30	6008

## STOMA APPLIANCES

## COLOSTOMY BAGS

Manufacturer	Appliance	Order No.	Quantity	List Price p
B. Braun Medical	<b>Biotrol</b>			
	Integrale bag with filter & skin protector adhesive			
	White starter hole	32-415	30	7681
	25mm	32-425	30	7681
	30mm	32-430	30	7681
	35mm	32-435	30	7681
	40mm	32-440	30	7681
	45mm	32-445	30	7681
	50mm	32-450	30	7681
	60mm	32-460	30	7681
	70mm	32-470	30	7681
	Preference bag with filter, skin protector adhesive, fabric backing			
	Beige starter hole	36-615	30	7305
	25mm	36-625	30	7305
	30mm	36-630	30	7305
	35mm	36-635	30	7305
	40mm	36-640	30	7305
	45mm	36-645	30	7305
	50mm	36-650	30	7305
	60mm	36-660	30	7305
	White starter hole	32-610	30	7179
	25mm	32-625	30	7179
	30mm	32-630	30	7179
	35mm	32-635	30	7179
	40mm	32-640	30	7179
	45mm	32-645	30	7179
	50mm	32-650	30	7179
	60mm	32-660	30	7179
	Almays bag with filter, Interface adhesive and all over soft non-woven cover			
	Transparent starter hole	76-015	30	6620
	Beige starter hole	76-115	30	6620
	25mm	76-025	30	6620
	30mm	76-030	30	6620
	35mm	76-035	30	6620
	40mm	76-040	30	6620
	45mm	76-045	30	6620
	50mm	76-050	30	6620
	60mm	76-060	30	6620
	Almays Petite bag with filter, Interface adhesive and all over soft non-woven cover			
	Beige starter hole	79-020	30	5856
	25mm	79-025	30	5856
	30mm	79-030	30	5856
	35mm	79-035	30	5856
	40mm	79-040	30	5856

IXC

## STOMA APPLIANCES

## COLOSTOMY BAGS

Manufacturer	Appliance	Order No.	Quantity	List Price p
B. Braun Medical	<b>Biotrol</b>			
	Almays Optima Closed bag with filter and all over soft non-woven cover			
	Transparent starter hole 10mm	F018610E	30	6378
	Beige starter hole 10mm	F008610E	30	6378
	25mm	F008625E	30	6378
	30mm	F008630E	30	6378
	35mm	F008635E	30	6378
	40mm	F008640E	30	6378
	45mm	F008645E	30	6378
	50mm	F008650E	30	6378
	60mm	F008660E	30	6378
	Almays Optima Mini Closed bag with filter and all over soft non woven cover			
	Beige 20mm	F008920E	30	5643
	25mm	F008925E	30	5643
	30mm	F008930E	30	5643
	35mm	F008935E	30	5643
	40mm	F008940E	30	5643
	Almays Quiet Closed bag with filter and all over soft non-woven cover			
	Transparent starter hole 10mm	F018110E	30	6378
	Beige starter hole 10mm	F008110E	30	6378
	25mm	F008125E	30	6378
	30mm	F008130E	30	6378
	35mm	F008135E	30	6378
	40mm	F008140E	30	6378
	45mm	F008145E	30	6378
	50mm	F008150E	30	6378
	60mm	F008160E	30	6378
	Almays Preference Closed bag with filter, skin protector and microporous adhesive and all over soft non-woven cover			
	Transparent starter hole 10mm	F018310E	30	6378
	Beige starter hole 10mm	F008310E	30	6378
	25mm	F008325E	30	6378
	30mm	F008330E	30	6378
	35mm	F008335E	30	6378
	40mm	F008340E	30	6378
	45mm	F008345E	30	6378
	50mm	F008350E	30	6378
	Softima closed pouch with filter, skin protector and protective cover			
	Beige			
	Cut-to-fit 16-50mm	043016E	30	7470
	16-70mm	043070E	30	7470
	pre-cut 24mm	043024E	30	7470
	28mm	043028E	30	7470
	32mm	043032E	30	7470
	36mm	043036E	30	7470
	40mm	043040E	30	7470
	45mm	043045E	30	7470
	Transparent			
	cut-to-fit 16-50mm	043616E	30	7470
	16-70mm	043670E	30	7470
	Mini Beige			
	Cut-to-fit 16-50mm	043216E	30	7470

## STOMA APPLIANCES

## COLOSTOMY BAGS

Manufacturer	Appliance	Order No.	Quantity	List Price p
C S Bullen Ltd	<b>Shelter Closed Pouch</b> Bio dressing resin			
	Beige			
	cut-to-fit 13mm-80mm	2450/00	20	3690
	Clear			
	cut-to-fit 13mm-64mm	2250/00	20	3690
	pre-cut 19mm	2250/19	20	3690
	25mm	2250/25	20	3690
	32mm	2250/32	20	3690
	38mm	2250/38	20	3690
	44mm	2250/44	20	3690
	51mm	2250/51	20	3690
	58mm	2250/58	20	3690
	64mm	2250/64	20	3690
	<b>Shelter Closed Pouch</b> microporous adhesive			
	Beige			
	cut-to-fit 13mm-64mm	2240/00	20	2880
	pre-cut 19mm	2240/19	20	2880
	25mm	2240/25	20	2880
	32mm	2240/32	20	2880
	38mm	2240/38	20	2880
	44mm	2240/44	20	2880
	51mm	2240/51	20	2880
	58mm	2240/58	20	2880
	64mm	2240/64	20	2880
	<b>Shelter Closed Pouch</b> microporous adhesive, bio dressing resin			
	Clear			
	cut-to-fit 13mm-64mm	2245/00	20	3925
	pre-cut 19mm	2245/19	20	3925
	25mm	2245/25	20	3925
	32mm	2245/32	20	3925
	38mm	2245/38	20	3925
	44mm	2245/44	20	3925
	51mm	2245/51	20	3925
	58mm	2245/58	20	3925
	64mm	2245/64	20	3925

IXC

## STOMA APPLIANCES

## COLOSTOMY BAGS

Manufacturer	Appliance	Order No.	Quantity	List Price p
Coloplast Ltd	<b>Assura Inspire</b> Closed Bag with Integral Filter, Oval Adhesive and Soft Backing.			
	Midi Transparent			
	starter hole 20-65mm	12130	30	7335
	ready-cut 25mm	12134	30	7335
	30mm	12135	30	7335
	35mm	12136	30	7335
	Maxi Transparent			
	starter hole 20-75mm	12160	30	7335
	pre-cut 25mm	12164	30	7206
	30mm	12165	30	7206
	35mm	12166	30	7206
	<b>Assura Inspire</b> Closed Bag with Integral Filter, Oval Adhesive and Opaque Soft Cover Front and Back.			
	Midi Soft Cover			
	starter hole 20-65mm	12140	30	7335
	ready-cut 25mm	12144	30	7335
	30mm	12145	30	7335
	35mm	12146	30	7335
	40mm	12147	30	7335
	45mm	12148	30	7335
	50mm	12149	30	7335
	Maxi Soft Cover			
	starter hole 20-75mm	12170	30	7335
	pre-cut 25mm	12174	30	7206
	30mm	12175	30	7206
	35mm	12176	30	7206
	<b>Assura Inspire</b> Closed Bag with Integral Filter, Oval Adhesive and Soft Cover Front and Back.			
	Midi Design			
	starter hole 20-65mm	12150	30	7335
	ready-cut 25mm	12154	30	7335
	30mm	12155	30	7335
	35mm	12156	30	7335
	40mm	12157	30	7335
	45mm	12158	30	7335
	50mm	12159	30	7335
	Maxi Design			
	starter hole 20-75mm	12180	30	7335
	pre-cut 25mm	12184	30	7206
	30mm	12185	30	7206
	35mm	12186	30	7206
	Closed Bag with Integral Filter and Soft Cover front and back			
	Mini Soft Cover			
	starter hole 20-65mm	12110	30	5857
	Mini Design			
	starter hole 20-65mm	12120	30	5857
	<b>Assura</b> Closed Bag with Integral Filter and Soft Backing			
	Mini Opaque			
	starter hole 20mm	2421	30	5991
	ready-cut 25mm	2424	30	5991
	30mm	2425	30	5991
	35mm	2426	30	5991
	40mm	2427	30	5991

## STOMA APPLIANCES

## COLOSTOMY BAGS

Manufacturer	Appliance	Order No.	Quantity	List Price p
ColoplastLtd	<b>Assura Closed Bag with Integral Filter and Soft Backing</b>			
	Midi Clear			
	starter hole 20mm	2471	30	7476
	ready-cut 25mm	2474	30	7476
	30mm	2475	30	7476
	35mm	2476	30	7476
	40mm	2477	30	7476
	45mm	2478	30	7476
	50mm	2479	30	7476
	Midi Opaque			
	starter hole 20mm	2461	30	7476
	ready-cut 25mm	2464	30	7476
	30mm	2465	30	7476
	35mm	2466	30	7476
	40mm	2467	30	7476
	45mm	2468	30	7476
	50mm	2469	30	7476
	Maxi Clear			
	starter hole 10-70mm	2482	30	7476
	20mm	2481	30	7476
	ready-cut 25mm	2484	30	7476
	30mm	2485	30	7476
	35mm	2486	30	7476
	40mm	2487	30	7476
	45mm	2488	30	7476
	50mm	2489	30	7476
	Maxi Opaque			
	starter hole 10-70mm	2512	30	7476
	20mm	2511	30	7476
	ready-cut 25mm	2514	30	7476
	30mm	2515	30	7476
	35mm	2516	30	7476
	40mm	2517	30	7476
	Paediatric Opaque			
	starter hole 10-35mm	2120	30	6390
	Closed Bag with Integral Filter and Opaque Soft Cover front and back			
	Mini			
	starter hole 20-55mm	12420	30	5985
	Midi			
	starter hole 20-55mm	12460	30	7476
	pre-cut 25mm	12464	30	7476
	30mm	12465	30	7476
	35mm	12466	30	7476
	40mm	12467	30	7476
	45mm	12468	30	7476
	50mm	12469	30	7476
	Maxi			
	starter hole 10-70mm	12580	30	7476
	20-55mm	12480	30	7476

IXC

## STOMA APPLIANCES

## COLOSTOMY BAGS

Manufacturer	Appliance	Order No.	Quantity	List Price p
Coloplast Ltd	<b>Assura Inspire 1 Piece</b> Closed Bags with Dual Filter			
	Midi Design - starter hole 20-65mm	14505	30	7917
	Soft cover - starter hole 20-65mm	14504	30	7917
	Maxi Design - starter hole 20-75mm	14508	30	7917
	Soft cover - starter hole 20-75mm	14507	30	7917
	Transparent - starter hole 20-75mm	14506	30	7917
	<b>Assura Inspire Seal 1 Piece Integral Convexity</b> Closed Bags with Integral Filter and Soft Backing			
	Important: This product with Integral convexity should only be used after prior assessment of suitability by an appropriate medical professional			
	Midi Transparent			
	starter hole 15-33mm	14092	10	2691
	15-43mm	14093	10	2691
	Maxi Transparent			
	starter hole 15-33mm	14002	10	2691
	15-43mm	14003	10	2691
	<b>Assura Inspire Seal 1 Piece Integral Convexity</b> Closed Bags with Integral Filter and Opaque Soft Cover Front and Back			
	Important: This product with Integral convexity should only be used after prior assessment of suitability by an appropriate medical professional			
	Midi Soft Cover			
	starter hole 15-33mm	14095	10	2691
	15-43mm	14096	10	2691
	Maxi Soft Cover			
	starter hole 15-33mm	14005	10	2691
	15-43mm	14006	10	2691
	<b>Assura Seal Integral Convexity</b> Closed Bags with Filter and Soft Backing			
	Important: This product with Integral Convexity should only be used after prior assessment of suitability by an appropriate medical professional			
	Midi Clear			
	21mm	12863	10	2447
	25mm	12864	10	2447
	28mm	12865	10	2447
	31mm	12866	10	2447
	35mm	12867	10	2447
	Midi Opaque			
	starter hole 15-33mm	12562	10	2447
	15-43mm	12563	10	2447
	Maxi Clear			
	21mm	12883	10	2447
	25mm	12884	10	2447
	28mm	12885	10	2447
	31mm	12886	10	2447
	35mm	12887	10	2447
	38mm	12888	10	2447
	Maxi Opaque			
	starter hole 15-33mm	12572	10	2447
	15-43mm	12573	10	2447



## STOMA APPLIANCES

## COLOSTOMY BAGS

Manufacturer	Appliance	Order No.	Quantity	List Price p	
Coloplast Ltd	<b>Assura Inspire Soft Seal</b> 1 piece Closed Bags with Shallow convexity Important: This product with integral convexity should only be used after prior assessment of suitability by an appropriate medical professional				
	Midi Soft Cover				
	starter hole 15-33mm	14434	10	2747	
	starter hole 15-43mm	14435	10	2747	
	Midi Soft Cover 21mm	14451	10	2747	
	25mm	14452	10	2747	
	28mm	14453	10	2747	
	31mm	14454	10	2747	
	Maxi Soft Cover				
	starter hole 15-33mm	14444	10	2747	
	starter hole 15-43mm	14445	10	2747	
	Midi Transparent				
	starter hole 15-33mm	14431	10	2747	
	starter hole 15-43mm	14432	10	2747	
	Maxi Transparent				
	starter hole 15-33mm	14441	10	2747	
	starter hole 15-43mm	14442	10	2747	
	<b>Assura Conseal</b> 1 Piece Plug Important: This product should only be used after prior assessment of suitability by an appropriate medical professional.				
	Length Size				
	35mm	stoma size 20-35mm	1435	10	2401
		stoma size 35-45mm	1485	10	2401
	45mm	stoma size 20-35mm	1445	10	2401
		stoma size 35-45mm	1495	10	2401
	<b>MC2000</b>				
	Clear	25mm	5625	30	8040
		30mm	5630	30	8040
		35mm	5635	30	8040
		40mm	5640	30	8040
		45mm	5645	30	8040
		50mm	5650	30	8040
		55mm	5655	30	8040
		60mm	5660	30	8040
	Opaque	25mm	5725	30	8040
		30mm	5730	30	8040
		35mm	5735	30	8040
		40mm	5740	30	8040
		45mm	5745	30	8040
		50mm	5750	30	8040
		55mm	5755	30	8040
		60mm	5760	30	8040
	<b>PC3000</b>				
	Clear	25mm	8725	30	7596
		30mm	8730	30	7596
		35mm	8735	30	7596
		40mm	8740	30	7596
		45mm	8745	30	7596
		50mm	8750	30	7596
	Opaque	25mm	8825	30	7596
		30mm	8830	30	7596
		35mm	8835	30	7596
		40mm	8840	30	7596
		45mm	8845	30	7596
		50mm	8850	30	7596
		55mm	8855	30	7596

IXC

## STOMA APPLIANCES

## COLOSTOMY BAGS

Manufacturer	Appliance	Order No.	Quantity	List Price p
ConvaTec Ltd	<b>Colodress Plus</b> (Stomahesive Wafer) Closed Pouches			
	Opaque starter hole			
	19mm	S861	30	7153
	pre-cut			
	25mm	S862	30	7153
	32mm	S863	30	7153
	38mm	S864	30	7153
	45mm	S865	30	7153
	50mm	S866	30	7153
	64mm	S867	30	7153
	Clear starter hole			
	19mm	S871	30	7153
	pre-cut			
	25mm	S872	30	7153
	32mm	S873	30	7153
	38mm	S874	30	7153
	45mm	S875	30	7153
	50mm	S876	30	7153
	64mm	S877	30	7153
	Mini			
	19mm	S901	30	6452
	25mm	S902	30	6452
	32mm	S903	30	6452
	38mm	S904	30	6452
	45mm	S905	30	6452
	<b>Esteem</b> Closed Pouches with Integral filter			
	Small - opaque			
	starter hole			
	20mm-60mm	S5001	30	5962
	pre-cut			
	25mm	S5002	30	5962
	30mm	S5003	30	5962
	35mm	S5011	30	5854
	40mm	S5004	30	5962
	50mm	S5005	30	5962
	Medium - clear			
	starter hole			
	20mm-80mm	S5006	30	6707
	pre-cut			
	25mm	S5007	30	6707
	30mm	S5008	30	6707
	35mm	S5012	30	6586
	40mm	S5009	30	6707
	50mm	S5010	30	6707
	Medium - opaque			
	starter hole			
	20mm-80mm	S5013	30	6707
	pre-cut			
	25mm	S5014	30	6707
	30mm	S5015	30	6707
	35mm	S5018	30	6586
	40mm	S5016	30	6707
	50mm	S5017	30	6707
	Large - clear			
	starter hole			
	20mm-80mm	S5020	30	6707
	Large - opaque			
	starter hole			
	20mm-80mm	S5027	30	6707
	pre-cut			
	25mm	S5028	30	6707
	30mm	S5029	30	6707
	35mm	S5034	30	6586
	40mm	S5030	30	6707
	50mm	S5031	30	6707
	60mm	S5032	30	6707
	70mm	S5033	30	6707

## STOMA APPLIANCES

## COLOSTOMY BAGS

Manufacturer	Appliance	Order No.	Quantity	List Price p
Dansac Ltd	<b>Dansac Light Convex</b> Integral convexity closed bag with filter and soft cover front and back Important: This product with integral convexity should only be used after prior assessment of suitability by an appropriate medical professional.			
	Opaque			
	starter hole			
	15-24mm	257-24	10	2369
	15-37mm	257-37	10	2369
	15-46mm	257-46	10	2369
	Opaque pre-cut			
	20mm	257-20	10	2369
	25mm	257-25	10	2369
	30mm	257-30	10	2369
	35mm	257-35	10	2369
	40mm	257-40	10	2369
	45mm	257-45	10	2369
	Clear			
	starter hole			
	15-24mm	258-24	10	2369
	15-37mm	258-37	10	2369
	15-46mm	258-46	10	2369
	pre-cut			
	20mm	258-20	10	2369
	25mm	258-25	10	2369
	30mm	258-30	10	2369
	35mm	258-35	10	2369
	40mm	258-40	10	2369
	45mm	258-45	10	2369
	<b>Unique</b>			
	Opaque			
	starter hole			
	25mm	227-20	30	6796
	30mm	225-25	30	6796
	35mm	225-30	30	6796
	40mm	225-35	30	6796
	45mm	225-40	30	6796
	50mm	225-45	30	6796
	60mm	225-50	30	6796
	60mm	225-60	30	6796
	Clear			
	starter hole			
	25mm	228-20	30	6796
	30mm	226-25	30	6796
	35mm	226-30	30	6796
	40mm	226-35	30	6796
	45mm	226-40	30	6796
	50mm	226-45	30	6796
	60mm	226-50	30	6796
	60mm	226-60	30	6796
	Mini opaque (reference capacity: 220ml (see Note 2, page 227))			
	cut to fit			
	20-50mm	231-20	30	6256
	pre-cut			
	25mm	231-25	30	6256
	30mm	231-30	30	6256
	35mm	231-35	30	6256
	40mm	231-40	30	6256
	Oval Flange			
	Opaque - starter hole	223-15	30	6796
	Clear - starter hole	224-15	30	6796

IXC

## STOMA APPLIANCES

## COLOSTOMY BAGS

Manufacturer	Appliance	Order No.	Quantity	List Price p
Dansac Ltd	<b>Dansac Nova</b>			
	Opaque			
	starter hole	20-60mm	801-20	30 7179
	pre-cut	25mm	801-25	30 7179
		30mm	801-30	30 7179
		35mm	801-35	30 7179
		40mm	801-40	30 7179
		45mm	801-45	30 7179
		50mm	801-50	30 7179
	Clear			
	starter hole	20-60mm	802-20	30 7179
	pre-cut	25mm	802-25	30 7220 △
		30mm	802-30	30 7220 △
		35mm	802-35	30 7220 △
		40mm	802-40	30 7220 △
		45mm	802-45	30 7220 △
		50mm	802-50	30 7220 △
	<b>Dansac Nova Mini</b>			
	Opaque			
	starter hole	20-50mm	803-20	30 5874
	pre-cut	25mm	803-25	30 5874
		30mm	803-30	30 5874
		35mm	803-35	30 5874
		40mm	803-40	30 5874
	<b>Dansac Nova 1 Maxi</b>			
	Closed pouch with a skin protecting barrier			
	Clear			
	cut-to-fit	20-60mm	806-20	30 7104
	Opaque			
	cut-to-fit	20-60mm	805-20	30 7104
	<b>Dansac Nova 1 X3 Closed</b>			
	Clear			
	cut-to-fit	15-46mm	852-15	10 2600
	Opaque			
	cut-to-fit	15-46mm	851-15	10 2600
	pre-cut	20mm	851-20	10 2600
		25mm	851-25	10 2600
		30mm	851-30	10 2600
		35mm	851-35	10 2600
		40mm	851-40	10 2600
	<b>Dansac Nova 1 Convex with integral 6mm convexity</b>			
	Important: This product with integral convexity should only be used after assessment by a medical professional.			
	Opaque			
	cut-to-fit	15-24mm	831-24	10 2595
		15-37mm	831-37	10 2595
		15-46mm	831-46	10 2595
	pre-cut	20mm	831-20	10 2595
		25mm	831-25	10 2595
		30mm	831-30	10 2595
		35mm	831-35	10 2595
		40mm	831-40	10 2595
		45mm	831-45	10 2595
	Clear			
	cut-to-fit	15-24mm	832-24	10 2595
		15-37mm	832-37	10 2595
		15-46mm	832-46	10 2595

## STOMA APPLIANCES

## COLOSTOMY BAGS

Manufacturer	Appliance	Order No.	Quantity	List Price p
Dansac Ltd	<b>Dansac Nova 1 Soft Convex</b> with integral 5mm convexity Important: This product with integral convexity should only be used after assessment by a medical professional			
	Opaque			
	pre-cut 20mm	871-20	10	2595
	25mm	871-25	10	2595
	30mm	871-30	10	2595
	35mm	871-35	10	2595
	40mm	871-40	10	2595
	<b>Unique Light</b>			
	Closed pouch			
	Opaque-soft lining on both sides, tapered barrier and fully activated filter			
	cut-to-fit 20-60mm	255-20	30	6945
	pre-cut 25mm	255-25	30	6945
	30mm	255-30	30	6945
	35mm	255-35	30	6945
	40mm	255-40	30	6945
	45mm	255-45	30	6945
	50mm	255-50	30	6945
	60mm	255-60	30	6945
DBT Medical Ltd (formerly Rusch UK)	<b>Ostopore</b> Colo with adhesive & vent			
	Opaque			
	25mm	742025	30	4428
	32mm	742032	30	4428
	38mm	742038	30	4428
	45mm	742045	30	4428
	Colo with Karaya adhesive & vent			
	Opaque			
	25mm	744025	30	6028
	32mm	744032	30	6028
	38mm	744038	30	6028
	45mm	744045	30	6028
	51mm	744051	30	6028
	Transparent			
	32mm	740032	30	7697
	38mm	740038	30	7697
	45mm	740045	30	7697
	51mm	740051	30	7697
	<b>White Rubber</b> Spout outlet			
	Day Bag			
	19mm	LM 885101	1	1257
	25mm	LM 885102	1	1257
	28mm	LM 885103	1	1257
	Night Bag			
	19mm	LM 885111	1	1356
	25mm	LM 885112	1	1356
	28mm	LM 885113	1	1356

IXC

## STOMA APPLIANCES

## COLOSTOMY BAGS

Manufacturer	Appliance	Order No.	Quantity	List Price p
Hollister Ltd	<b>Compact</b>			
	Closed Pouch			
	Clear-with filter and white comfort backing on body-worn side			
	cut-to-fit 13-64mm	3460	30	7272
	Beige-with filter and beige comfort backing on both sides			
	cut-to-fit 13-64mm	3470	30	7272
	pre-cut 25mm	3472	30	7272
	32mm	3478	30	7272
	38mm	3473	30	7272
	44mm	3479	30	7272
	51mm	3474	30	7272
	64mm	3475	30	7272
	Transparent - with filter and white comfort backing on body-worn side			
	cut-to-fit 13-64mm	3520	30	7272
	pre-cut 25mm	3522	30	7272
	32mm	3528	30	7272
	38mm	3523	30	7272
	44mm	3529	30	7272
	51mm	3524	30	7272
	64mm	3525	30	7272
	<b>Karaya 5 seal without filter</b>			
	Transparent			
	32mm	7168	30	6516
	38mm	7163	30	6516
	44mm	7169	30	6516
	51mm	7164	30	6516
	64mm	7165	30	6516
	76mm	7166	30	6516
	<b>Karaya 5 seal with microporous adhesive and filter</b>			
	Transparent			
	32mm	3328	30	7727
	38mm	3323	30	7727
	44mm	3329	30	7727
	51mm	3324	30	7727
	64mm	3325	30	7727
	76mm	3326	30	7727
	<b>Microporous Adhesive only with filter</b>			
	Transparent			
	25mm	3142	50	8291
	32mm	3148	50	8291
	38mm	3143	50	8291
	44mm	3149	50	8291
	51mm	3144	50	8291
	64mm	3145	50	8291
	<b>Premium Bag with Karaya 5 seal microporous adhesive and filter</b>			
	Transparent			
	32mm	3558	15	3898
	38mm	3553	15	3898
	44mm	3559	15	3898
	51mm	3554	15	3898
	64mm	3555	15	3898
	<b>Impression "C" with convex wafer Beige with filter and beige Comfort backing on both sides</b>			
	19mm	3490	10	2531
	22mm	3491	10	2531
	25mm	3492	10	2531
	29mm	3493	10	2531
	32mm	3494	10	2531
	35mm	3495	10	2531
	38mm	3496	10	2531
	41mm	3497	10	2531
	44mm	3498	10	2531
	51mm	3499	10	2531

**STOMA APPLIANCES****COLOSTOMY BAGS**

Manufacturer	Appliance	Order No.	Quantity	List Price p
Hollister Ltd	<b>Impression "C"</b> with convex wafer, Transparent front with filter and beige Comfort backing on body worn side			
	19mm	3590	10	2485
	22mm	3591	10	2485
	25mm	3592	10	2485
	29mm	3593	10	2485
	32mm	3594	10	2485
	35mm	3595	10	2485
	38mm	3596	10	2485
	41mm	3597	10	2485
	44mm	3598	10	2485
	51mm	3599	10	2485
	<b>Moderma-Flex</b>			
	Closed Pouch with skin-resting barrier, filter and beige comfort backing on bodyworn side.			
	Transparent starter hole			
	15-55mm	22500	30	6618
	Closed pouch with skin-resting barrier, filter and beige comfort backing on both sides.			
	Beige starter hole			
	15-55mm	22100	30	6618
	20mm	22120	30	6618
	25mm	22125	30	6618
	30mm	22130	30	6618
	35mm	22135	30	6618
	40mm	22140	30	6618
	45mm	22145	30	6618
	Maxi closed pouch with skin-resting barrier, anatomical shape with integral filter and beige comfort backing on bodyworn side.			
	Beige - with comfort backing on both sides cut-to-fit			
	15-55mm	22300	30	7022
	pre-cut			
	25mm	22325	30	7022
	30mm	22330	30	7022
	35mm	22335	30	7022
	Transparent - with comfort backing on body side only cut-to-fit 15-55mm			
	15-55mm	22400	30	7022
	<b>Moderma Flex with Adapt conformable convex rings</b>			
	Closed pouch, anatomical shape with integral filter. Flexible barrier plus Adapt conformable convex ring.			
	Beige - with comfort backing on both sides			
	cut-to-fit 20-29mm + 20mm ring	22620	20	8851
	30-39mm + 30mm ring	22630	20	8851
	40-49mm + 40mm ring	22640	20	8851
	Transparent - with comfort backing on body side only			
	cut-to-fit 20-29mm + 20mm ring	22720	20	8851
	30-39mm + 30mm ring	22730	20	8851
	40-49mm + 40mm ring	22740	20	8851

IXC

## STOMA APPLIANCES

## COLOSTOMY BAGS

Manufacturer	Appliance	Order No.	Quantity	List Price p
Hollister Ltd	<b>Moderma Flex Convex</b>			
	Closed Pouch with integral convexity, anatomical shape, with integral filter			
	Maxi - Beige with comfort backing on both sides			
	cut-to-fit			
	15-38mm	22800	30	9300
	15-51mm	22801	30	9300
	pre-cut			
	20mm	22820	30	9300
	25mm	22825	30	9300
	30mm	22830	30	9300
	35mm	22835	30	9300
	Maxi - Transparent with comfort backing on body worn side			
	cut-to-fit			
	15-38mm	22900	30	9300
	15-51mm	22901	30	9300
	pre-cut			
	20mm	22920	30	9300
25mm	22925	30	9300	
30mm	22930	30	9300	
35mm	22935	30	9300	
Jade-Euro-Med Ltd	<b>Black Butyl</b> Screw-cap outlet			
	Day bag	KM 38	1	3146
	Night bag	KM 40	1	3669
	<b>White Rubber</b> Screw-cap outlet			
Day bag	KM 44	1	1748	
Night bag	KM 46	1	2003	
Marlen USA	<b>Ultra Closed Bag</b>			
	Opaque			
	Flat starter hole	801312	15	2982
	Transparent			
	Flat starter hole	861312	15	2982
	Flat pre-cut			
	Opaque			
	12mm	801412	15	2982
	16mm	801416	15	2982
	19mm	801419	15	2982
	22mm	801422	15	2982
	25mm	801425	15	2982
	29mm	801429	15	2982
	32mm	801432	15	2982
	34mm	801434	15	2982
	38mm	801438	15	2982
	41mm	801441	15	2982
	44mm	801444	15	2982
	48mm	801448	15	2982
	50mm	801450	15	2982
	54mm	801454	15	2982
	57mm	801457	15	2982
	60mm	801460	15	2982
	63mm	801463	15	2982
	67mm	801467	15	2982
	70mm	801470	15	2982
	73mm	801473	15	2982
	76mm	801476	15	2982
	Transparent			
	12mm	861412	15	2982
	16mm	861416	15	2982
	19mm	861419	15	2982
	22mm	861422	15	2982
25mm	861425	15	2982	
29mm	861429	15	2982	



## STOMA APPLIANCES

## COLOSTOMY BAGS

Manufacturer	Appliance	Order No.	Quantity	List Price p	
Marten USA	32mm	861432	15	2982	
	34mm	861434	15	2982	
	38mm	861438	15	2982	
	41mm	861441	15	2982	
	44mm	861444	15	2982	
	48mm	861448	15	2982	
	50mm	861450	15	2982	
	54mm	861454	15	2982	
	57mm	861457	15	2982	
	60mm	861460	15	2982	
	63mm	861463	15	2982	
	67mm	861467	15	2982	
	70mm	861470	15	2982	
	73mm	861473	15	2982	
	76mm	861476	15	2982	
		<b>Ultra Closed Bag</b>			
		Shallow Convex pre-cut			
		Opaque			
		12mm	801512	15	2982
		16mm	801516	15	2982
	19mm	801519	15	2982	
	22mm	801522	15	2982	
	25mm	801525	15	2982	
	29mm	801529	15	2982	
	32mm	801532	15	2982	
	34mm	801534	15	2982	
	38mm	801538	15	2982	
	41mm	801541	15	2982	
	44mm	801544	15	2982	
	48mm	801548	15	2982	
	50mm	801550	15	2982	
	54mm	801554	15	2982	
	57mm	801557	15	2982	
	60mm	801560	15	2982	
	63mm	801563	15	2982	
	67mm	801567	15	2982	
	70mm	801570	15	2982	
	73mm	801573	15	2982	
	76mm	801576	15	2982	
	Transparent				
	12mm	861512	15	2982	
	16mm	861516	15	2982	
	19mm	861519	15	2982	
	22mm	861522	15	2982	
	25mm	861525	15	2982	
	29mm	861529	15	2982	
	32mm	861532	15	2982	
	34mm	861534	15	2982	
	38mm	861538	15	2982	
	41mm	861541	15	2982	
	44mm	861544	15	2982	
	48mm	861548	15	2982	
	50mm	861550	15	2982	
	54mm	861554	15	2982	
	57mm	861557	15	2982	
	60mm	861560	15	2982	
	63mm	861563	15	2982	
	67mm	861567	15	2982	
	70mm	861570	15	2982	
	73mm	861573	15	2982	
	76mm	861576	15	2982	

IXC

## STOMA APPLIANCES

## COLOSTOMY BAGS

Manufacturer	Appliance	Order No.	Quantity	List Price p	
Mann USA	<b>Ultramax Closed Bag</b>				
	Opaque				
	Flat starter hole	83400	30	6784	
	12mm	83412	30	6784	
	16mm	83416	30	6784	
	19mm	83419	30	6784	
	22mm	83422	30	6784	
	25mm	83425	30	6784	
	29mm	83429	30	6784	
	32mm	83432	30	6784	
	34mm	83434	30	6784	
	38mm	83438	30	6784	
	41mm	83441	30	6784	
	44mm	83444	30	6784	
	50mm	83450	30	6784	
	55mm	83455	30	6784	
	Convex starter hole	83500	10	2410	
	12mm	83512	10	2410	
	16mm	83516	10	2410	
	19mm	83519	10	2410	
	22mm	83522	10	2410	
	25mm	83525	10	2410	
	29mm	83529	10	2410	
	32mm	83532	10	2410	
	34mm	83534	10	2410	
	38mm	83538	10	2410	
	41mm	83541	10	2410	
	44mm	83544	10	2410	
	50mm	83550	10	2410	
	55mm	83555	10	2410	
	Transparent				
	Flat starter hole	82400	30	6784	
	12mm	82412	30	6784	
	16mm	82416	30	6784	
	19mm	82419	30	6784	
	22mm	82422	30	6784	
	25mm	82425	30	6784	
	29mm	82429	30	6784	
	32mm	82432	30	6784	
	34mm	82434	30	6784	
	38mm	82438	30	6784	
	41mm	82441	30	6784	
	44mm	82444	30	6784	
	50mm	82450	30	6784	
	55mm	82455	30	6784	
	Convex starter hole	82500	10	2410	
	12mm	82512	10	2410	
	16mm	82516	10	2410	
	19mm	82519	10	2410	
	22mm	82522	10	2410	
	25mm	82525	10	2410	
	29mm	82529	10	2410	
	32mm	82532	10	2410	
	34mm	82534	10	2410	
	38mm	82538	10	2410	
41mm	82541	10	2410		
44mm	82544	10	2410		
50mm	82550	10	2410		
55mm	82555	10	2410		

## STOMA APPLIANCES

## COLOSTOMY BAGS

Manufacturer	Appliance	Order No.	Quantity	List Price p
Mentor Medical Ltd	<b>Adhesive Stoma Bag</b>			
	25mm	32-232-80	90	14286
	32mm	32-233-88	90	14286
	38mm	32-234-85	90	14286
	44mm	32-240-07	90	14286
	51mm	32-235-82	90	14286
	64mm	32-237-87	90	14286
	With filter			
	25mm	32-242-87	90	16055
	32mm	32-243-84	90	16055
	38mm	32-244-81	90	16055
	44mm	32-241-04	90	16055
	51mm	32-245-89	90	16055
	64mm	32-246-86	90	16055
	<b>Chiron</b>			
	Disposable bags for 19mm stoma			
	305mm x 102mm	WD119-01-L	10	1121
	305mm x 127mm	WD119-02-N	10	1121
	<b>Chiron Clearseal</b>			
	Disposable bags sealed both ends for			
	22mm Stoma - small	WD222-02-U	10	1682
	38mm Stoma - small	WD238-02-B	10	1682
	38mm Stoma - medium	WD238-03-D	10	1682
	<b>Chironseal</b>			
	Disposable bags for 22mm Stoma			
	305mm x 102mm	WD022-01-E	10	1263
	305mm x 127mm	WD022-02-G	10	1263
	230mm x 127mm	WD022-03-J	10	1263
	305mm x 150mm	WD022-04-L	10	1263
	305mm x 205mm	WD022-05-N	10	1449
	305mm x 255mm	WD022-06-Q	10	1449
	Disposable bags for 38mm Stoma			
	305mm x 102mm	WD038-01-L	10	1263
	305mm x 127mm	WD038-02-N	10	1263
	230mm x 127mm	WD038-03-Q	10	1263
	305mm x 150mm	WD038-04-S	10	1263
	305mm x 205mm	WD038-05-U	10	1449
	305mm x 255mm	WD038-06-W	10	1449
	Reinforced Disposable bags Sealed at both ends			
		WD525-01-A	10	1682
		WD538-02-V	10	1682
	Spout outlet bag PVC	WD600-10-A	10	3460

IXC

## STOMA APPLIANCES

## COLOSTOMY BAGS

Manufacturer	Appliance	Order No.	Quantity	List Price p
Mentor Medical Ltd	<b>EC1 Range</b>			
	Beige			
	starter hole 15-64mm	32-330-06	30	7672
	fixed size - 25mm	32-330-14	30	7672
	fixed size - 32mm	32-330-22	30	7672
	fixed size - 38mm	32-330-30	30	7672
	fixed size - 44mm	32-330-49	30	7672
	fixed size - 51mm	32-330-57	30	7672
	fixed size - 64mm	32-330-65	30	7672
	Clear			
	starter hole 15-64mm	32-334-05	30	7672
	fixed size - 25mm	32-334-13	30	7672
	fixed size - 32mm	32-334-21	30	7672
	fixed size - 38mm	32-334-48	30	7672
	fixed size - 44mm	32-334-56	30	7672
	fixed size - 51mm	32-334-80	30	7672
	fixed size - 64mm	32-334-99	30	7672
	<b>Mirage Closed Pouches</b>			
	Beige			
	starter hole 19-44mm	32-510-10	30	6483
	starter hole 19-64mm	32-510-15	30	6483
	25mm	32-510-25	30	6483
	32mm	32-510-32	30	6483
	38mm	32-510-38	30	6483
	44mm	32-510-44	30	6483
	51mm	32-510-51	30	6483
	64mm	32-510-64	30	6483
	Large Outline cut 19-90mm	32-510-90	10	2342
	Clear			
	starter hole 19-44mm	32-515-10	30	6483
	starter hole 19-64mm	32-515-15	30	6483
	25mm	32-515-25	30	6483
	32mm	32-515-32	30	6483
	38mm	32-515-38	30	6483
	44mm	32-515-44	30	6483
	51mm	32-515-51	30	6483
	64mm	32-515-64	30	6483
	Large Outline cut 19-90mm	32-515-90	10	2342
	<b>Mirage Flushable Soft-backed Closed Pouches</b>			
	Beige			
	starter hole 19-44mm	32-610-19	30	7016
	25mm	32-610-25	30	7016
	32mm	32-610-32	30	7016
	38mm	32-610-38	30	7016
	44mm	32-610-44	30	7016
	51mm	32-610-51	30	7016
	Clear			
	starter hole 19-44mm	32-615-19	30	7016
	25mm	32-615-25	30	7016
	32mm	32-615-32	30	7016
	38mm	32-615-38	30	7016
	44mm	32-615-44	30	7016
	51mm	32-615-51	30	7016

## STOMA APPLIANCES

## COLOSTOMY BAGS

Manufacturer	Appliance	Order No.	Quantity	List Price p
Mentor Medical Ltd	<b>Omni</b> 1-piece closed bag			
	Beige			
	starter hole 15-44mm	32-311-86	30	7783
	fixed size 25mm	32-311-00	30	7783
	fixed size 32mm	32-311-19	30	7783
	fixed size 38mm	32-311-27	30	7783
	fixed size 44mm	32-311-35	30	7783
	fixed size 51mm	32-311-43	30	7783
	<b>Redifit</b>			
	Continuation bags with Karaya			
	32mm	WA009-32-N	20	8134
	38mm	WA009-38-B	20	8134
	44mm	WA009-44-V	20	8134
	51mm	WA009-51-S	20	8134
	64mm	WA009-64-C	20	8134
	<b>Symphony</b> 'WC Disposable' Closed bag			
	Beige			
	starter hole 15-44mm	32-336-18	30	8028
	fixed size 25mm	32-336-26	30	8028
	fixed size 32mm	32-336-34	30	8028
	fixed size 38mm	32-336-42	30	8028
	fixed size 44mm	32-336-50	30	8028
	fixed size 51mm	32-336-69	30	8028
	Clear			
	fixed size 25mm	32-335-10	30	8028
	fixed size 32mm	32-335-29	30	8028
	fixed size 38mm	32-335-37	30	8028
	fixed size 44mm	32-335-45	30	8028
	fixed size 51mm	32-335-53	30	8028
	<b>Symphony Classic</b> Soft-backed "WC Disposable" Closed Bag			
	Beige			
	starter hole 15-51mm	32-340-15	30	8028
	fixed size 25mm	32-340-25	30	8028
	fixed size 32mm	32-340-32	30	8028
	fixed size 38mm	32-340-38	30	8028
	fixed size 44mm	32-340-44	30	8028
	fixed size 51mm	32-340-51	30	8028

IXC

## STOMA APPLIANCES

## COLOSTOMY BAGS

Manufacturer	Appliance	Order No.	Quantity	List Price p
Oakmed Ltd	<b>Option</b> - Mini Pouch with Soft Covering to one side cut-to-fit 10mm-50mm			
	Clear	0910K	30	5536
	Opaque	1010K	30	5536
	<b>Option</b> - Colostomy with Soft Covering to one side			
	Clear			
	starter hole			
	20mm	0120K	30	6115
	25mm	0125K	30	6115
	30mm	0130K	30	6115
	35mm	0135K	30	6115
	40mm	0140K	30	6115
	45mm	0145K	30	6115
	50mm	0150K	30	6115
	55mm	0155K	30	6115
	60mm	0160K	30	6115
	Opaque			
	starter hole			
	20mm	0220K	30	6115
	25mm	0225K	30	6115
	30mm	0230K	30	6115
	35mm	0235K	30	6115
	40mm	0240K	30	6115
	45mm	0245K	30	6115
	50mm	0250K	30	6115
	55mm	0255K	30	6115
	60mm	0260K	30	6115
	<b>Option</b> - Colostomy Plus with Soft Covering to one side			
	Clear starter hole			
	20mm	0520K	30	6262
	25mm	0525K	30	6262
	30mm	0530K	30	6262
	35mm	0535K	30	6262
	40mm	0540K	30	6262
	45mm	0545K	30	6262
	50mm	0550K	30	6262
	55mm	0555K	30	6262
	60mm	0560K	30	6262
	Opaque starter hole			
	20mm	0620K	30	6262
	25mm	0625K	30	6262
	30mm	0630K	30	6262
	35mm	0635K	30	6262
	40mm	0640K	30	6262
	45mm	0645K	30	6262
	50mm	0650K	30	6262
	55mm	0655K	30	6262
	60mm	0660K	30	6262

## STOMA APPLIANCES

## COLOSTOMY BAGS

Manufacturer	Appliance	Order No.	Quantity	List Price p
Oakmed Ltd	<b>Option - Mini Pouch with Filter and Soft Covering to both sides</b>			
	Opaque			
	cut-to-fit 10mm - 50mm	1110K	30	5641
	<b>Option - Colostomy with Filter and Soft Covering to both sides</b>			
	Opaque starter hole			
	20mm	0320K	30	6379
	25mm	0325K	30	6379
	30mm	0330K	30	6379
	35mm	0335K	30	6379
	40mm	0340K	30	6379
	45mm	0345K	30	6379
	50mm	0350K	30	6379
	55mm	0355K	30	6379
	60mm	0360K	30	6379
	<b>Option - Colostomy Plus with Filter and Soft Covering to both sides</b>			
	Opaque starter hole			
	20mm	0420K	30	6534
	25mm	0425K	30	6534
	30mm	0430K	30	6534
	35mm	0435K	30	6534
	40mm	0440K	30	6534
	45mm	0445K	30	6534
	50mm	0450K	30	6534
	55mm	0455K	30	6534
	60mm	0460K	30	6534
	<b>Option - Colostomy Maxi with Filter and Soft Covering to one side</b>			
	Clear			
	cut-to-fit 20mm-100mm	0720K	30	6923
	<b>Option - Colostomy Maxi with Filter and Soft Covering to both sides</b>			
	Opaque			
	cut-to-fit 20mm-100mm	0820K	30	7064
	<b>Option - Colostomy Maxi with Filter and Soft Covering to both sides without window</b>			
	Opaque			
	cut-to-fit 20mm-100mm	0820KWW	30	7076
	<b>Option - Colostomy Microskin</b>			
	Opaque starter hole			
	20mm	M-0320K	30	7251
	25mm	M-0325K	30	7251
	30mm	M-0330K	30	7251
	35mm	M-0335K	30	7251
	40mm	M-0340K	30	7251
	45mm	M-0345K	30	7251
	50mm	M-0350K	30	7251
	55mm	M-0355K	30	7251
	60mm	M-0360K	30	7251
	<b>Option - Colostomy Plus Microskin</b>			
	Opaque starter hole			
	20mm	M-0420K	30	7353
	25mm	M-0425K	30	7353
	30mm	M-0430K	30	7353
	35mm	M-0435K	30	7353
	40mm	M-0440K	30	7353
	45mm	M-0445K	30	7353
	50mm	M-0450K	30	7353
	55mm	M-0455K	30	7353
	60mm	M-0460K	30	7353

IXC

## STOMA APPLIANCES

## COLOSTOMY BAGS

Manufacturer	Appliance	Order No.	Quantity	List Price p
Oakmed Ltd	<b>Option Alginate</b> Mini Pouch			
	Opaque starter hole 20mm	A-1110K	30	7923
	<b>Option Alginate</b> Colostomy pouch			
	Opaque starter hole			
	20mm	A-0320K	30	7923
	25mm	A-0325K	30	7923
	30mm	A-0330K	30	7923
	35mm	A-0335K	30	7923
	40mm	A-0340K	30	7923
	45mm	A-0345K	30	7923
	50mm	A-0350K	30	7923
	55mm	A-0355K	30	7923
	60mm	A-0360K	30	7923
	<b>Option Alginate</b> Colostomy Plus			
	Opaque starter hole			
	20mm	A-0420K	30	7923
	25mm	A-0425K	30	7923
	30mm	A-0430K	30	7923
	35mm	A-0435K	30	7923
	40mm	A-0440K	30	7923
	45mm	A-0445K	30	7923
	50mm	A-0450K	30	7923
	55mm	A-0455K	30	7923
	60mm	A-0460K	30	7923
Omex Medical Ltd	Schacht Colostomy Pouches	785474	100	3426
Pelican Healthcare Ltd	<b>Pelican Pouches</b> with skin protector, adhesive, filter, comfort backing			
	Closed pouches			
	Opaque - normal size			
	starter hole	100500	30	8151
	26mm	100524	30	8151
	32mm	100525	30	8151
	40mm	100526	30	8151
	45mm	100527	30	8151
	50mm	100528	30	8151
	Opaque - casual size			
	32mm	100520	30	7735
	40mm	100521	30	7735
	45mm	100522	30	7735



## STOMA APPLIANCES

## COLOSTOMY BAGS

Manufacturer	Appliance	Order No.	Quantity	List Price p
Pelican Healthcare Ltd	<b>Pelican Select</b> with skin protector,fabric both sides, filter Closed pouches Clear cut-to-fit			
	20-65mm	100700	30	7082
	pre-cut			
	27mm	101727	30	7082
	34mm	101734	30	7082
	41mm	101741	30	7082
	48mm	101748	30	7082
	55mm	101755	30	7082
	Opaque cut-to-fit			
	20-65mm	100720	30	7082
	pre-cut			
	27mm	100727	30	7082
	34mm	100734	30	7082
	41mm	100741	30	7082
	48mm	100748	30	7082
	55mm	100755	30	7082
	Mini Closed Pouches Clear cut-to-fit			
	20-65mm	100600	30	5940
	Opaque cut-to-fit			
	20-65mm	100620	30	5940
	<b>Pelican Select Afresh Closed Pouch</b> with skin protector, fabric on both sides, split fabric backing for viewing/positioning and filter.			
	Opaque - Standard shape cut-to-fit 20-65mm	102120	30	6975
	pre-cut 22.5mm	102122	30	6975
	25mm	102125	30	6975
	27.5mm	102127	30	6975
	30mm	102130	30	6975
	32.5mm	102132	30	6975
	35mm	102135	30	6975
	37.5mm	102137	30	6975
	40mm	102140	30	6975
	45mm	102145	30	6975
	50mm	102150	30	6975
	55mm	102155	30	6975

IXC

## STOMA APPLIANCES

## COLOSTOMY BAGS

Manufacturer	Appliance	Order No.	Quantity	List Price p	
Pelican Healthcare Ltd	Clear - Standard shape				
	cut-to-fit 20-65mm	102220	30	6975	
	pre-cut 22.5mm	102222	30	6975	
	25mm	102225	30	6975	
	27.5mm	102227	30	6975	
	30mm	102230	30	6975	
	32.5mm	102232	30	6975	
	35mm	102235	30	6975	
	37.5mm	102237	30	6975	
	40mm	102240	30	6975	
	45mm	102245	30	6975	
	50mm	102250	30	6975	
	55mm	102255	30	6975	
	Opaque - Mini shape				
	cut-to-fit 20-65mm	102320	30	6975	
	pre-cut 22.5mm	102322	30	6975	
	25mm	102325	30	6975	
	27.5mm	102327	30	6975	
	30mm	102330	30	6975	
	32.5mm	102332	30	6975	
	35mm	102335	30	6975	
	37.5mm	102337	30	6975	
	40mm	102340	30	6975	
	45mm	102345	30	6975	
	50mm	102350	30	6975	
	55mm	102355	30	6975	
	Clear - Mini shape				
	cut-to-fit 20-65mm	102300	30	6975	
	Opaque - Maxi shape				
	cut-to-fit 20-65mm	102420	30	7054	
	Clear - Maxi shape				
	cut-to-fit 20-65mm	102400	30	7054	
	<b>Pelican Select Closed Convex Pouch - integral convexity with filter and split fabric backing</b>				
	Opaque - Standard				
	cut-to-fit 12-40mm	103312	10	2681	
	pre-cut 20mm	103320	10	2681	
	22.5mm	103322	10	2681	
	25mm	103325	10	2681	
	27.5mm	103327	10	2681	
	30mm	103330	10	2681	
	32.5mm	103332	10	2681	
	35mm	103335	10	2681	
37.5mm	103337	10	2681		
40mm	103340	10	2681		

## STOMA APPLIANCES

## COLOSTOMY BAGS

Manufacturer	Appliance	Order No.	Quantity	List Price p	
Pelican Healthcare Ltd	Clear - Standard				
	cut-to-fit 12-40mm	103412	10	2681	
	pre-cut 20mm	103420	10	2681	
	22.5mm	103422	10	2681	
	25mm	103425	10	2681	
	27.5mm	103427	10	2681	
	30mm	103430	10	2681	
	32.5mm	103432	10	2681	
	35mm	103435	10	2681	
	37.5mm	103437	10	2681	
	40mm	103440	10	2681	
	Opaque - Maxi				
	cut-to-fit 12-40mm	103512	10	2681	
	pre-cut 20mm	103520	10	2681	
	22.5mm	103522	10	2681	
	25mm	103525	10	2681	
	27.5mm	103527	10	2681	
	30mm	103530	10	2681	
	32.5mm	103532	10	2681	
	35mm	103535	10	2681	
	37.5mm	103537	10	2681	
	40mm	103540	10	2681	
	Opaque - Mini				
	cut-to-fit 12-40mm	103112	10	2681	
	Clear - Maxi				
	cut-to-fit 12-40mm	103612	10	2681	

IXC

Rusch UK see DBT Medical Ltd

Salts Healthcare	<b>Cohflex - with filter</b>			
	Closed			
	starter hole (10-60mm)			
	Flesh/Flesh	515410	30	6775 △
	Flesh/Clear	515420	30	6775 △
	pre-cut Flesh/Flesh			
	25mm	515425	30	6775 △
	30mm	515430	30	6775 △
	35mm	515435	30	6775 △
	40mm	515440	30	6775 △
	45mm	515445	30	6775 △
	50mm	515450	30	6775 △
	<b>Coloset</b>			
	Closed bag			
	Small starter	713656	30	1181 △
	<b>Confidence</b>			
	Closed pouches			
	Opaque			
	starter hole			
	13mm	C13	30	6852 △
	pre-cut			
25mm	C25	30	6852 △	
32mm	C32	30	6852 △	
38mm	C38	30	6852 △	
45mm	C45	30	6852 △	
52mm	C52	30	6852 △	
Mini Closed pouches				
starter hole				
13mm	CM13	30	5398 △	
pre-cut				
25mm	CM25	30	5398 △	
32mm	CM32	30	5398 △	

## STOMA APPLIANCES

## COLOSTOMY BAGS

Manufacturer	Appliance	Order No.	Quantity	List Price p	
Salts Healthcare	Closed pouches - transparent/overlap film				
	Standard starter hole				
	13mm	CT13	30	6560 △	
	Closed pouches - transparent/no overlap				
	Standard starter hole				
	13mm	CTT13	30	6560 △	
	Closed pouches-transparent/overlap film pre-cut				
	25mm	CT25	30	6758 △	
	32mm	CT32	30	6758 △	
	38mm	CT38	30	6758 △	
	45mm	CT45	30	6758 △	
	52mm	CT52	30	6758 △	
	Closed pouches-transparent/overlap film				
	Large starter hole				
	13mm	CLT13	30	6642 △	
	Closed pouches - transparent/no overlap				
	Large starter hole				
	13mm	CLTT13	30	6642 △	
	<b>Confidence Comfort</b> closed pouches - Opaque film/beige overlap comfort backing on both sides. Hypoallergenic hydrocolloid, protected filter, anatomical shape.				
	Standard starter hole				
	13mm	CFO13	30	7750	
	Large starter hole				
	13mm	CFLO13	30	7750	
	<b>Confidence Comfort</b> closed pouches - Transparent film. Comfort backing on body side. Hypoallergenic hydrocolloid, protected filter, anatomical shape.				
	Standard starter hole				
	13mm	CFT13	30	7750	
	Large starter hole				
	13mm	CFLT13	30	7750	
	<b>Confidence Comfort</b> closed pouches - Transparent film/beige overlap comfort backing on both sides. Hypoallergenic hydrocolloid, protected filter, anatomical shape.				
	Standard starter hole				
	13mm	CF13	30	7901 △	
	pre-cut				
25mm	CF25	30	7901 △		
32mm	CF32	30	7901 △		
35mm	CF35	30	7901 △		
38mm	CF38	30	7901 △		
41mm	CF41	30	7901 △		
Large starter hole					
13mm	CFL13	30	7901 △		
pre-cut					
25mm	CFL25	30	7901 △		
32mm	CFL32	30	7901 △		
35mm	CFL35	30	7901 △		
38mm	CFL38	30	7901 △		
41mm	CFL41	30	7901 △		

## STOMA APPLIANCES

## COLOSTOMY BAGS

Manufacturer	Appliance	Order No.	Quantity	List Price p
Salts Healthcare	<b>Confidence Gold</b> with hypoallergenic hydrocolloid and soft beige comfort backing on both sides, filter			
	Closed Pouches Opaque starter hole			
	13mm	CNW13	30	6734 △
	pre-cut			
	25mm	CNW25	30	6734 △
	32mm	CNW32	30	6734 △
	35mm	CNW35	30	6734 △
	38mm	CNW38	30	6734 △
	45mm	CNW45	30	6734 △
	52mm	CNW52	30	6734 △
	Mini Closed Pouches starter hole			
	13mm	CMNW13	30	5306 △
	pre-cut			
	25mm	CMNW25	30	5306 △
	32mm	CMNW32	30	5306 △
	35mm	CMNW35	30	5306 △
	Closed Pouches - Transparent Film/Beige Overlap Comfort Backing			
	Standard starter hole			
	13mm	CTNW13	30	6447 △
	pre-cut			
	25mm	CTNW25	30	6642 △
	32mm	CTNW32	30	6642 △
	35mm	CTNW35	30	6642 △
	38mm	CTNW38	30	6642 △
	45mm	CTNW45	30	6642 △
	52mm	CTNW52	30	6642 △
	Large starter hole			
	13mm	CLTNW13	30	6642 △
	<b>Confidence Gold Convex</b> 1 piece integral convexity with hypoallergenic hydrocolloid and soft beige comfort backing on both sides, filter. Important: This product with integral convexity should only be used after assessment by a medical professional.			
	Closed Pouches Transparent Film/Beige Overlap Comfort Backing			
	Standard starter hole			
	13-25mm	CC13-25	10	2599 △
	13-38mm	CC13-38	10	2599 △
	13-52mm	CC13-52	10	2599 △
	pre-cut			
	21mm	CC21	10	2599 △
	25mm	CC25	10	2599 △
	28mm	CC28	10	2599 △
	32mm	CC32	10	2599 △
	35mm	CC35	10	2599 △
	38mm	CC38	10	2599 △
	41mm	CC41	10	2599 △
45mm	CC45	10	2599 △	

IXC

## STOMA APPLIANCES

## COLOSTOMY BAGS

Manufacturer	Appliance	Order No.	Quantity	List Price p
Salts Healthcare	<b>Eakin</b>			
	Closed bag			
	Clear			
	32mm	839130	20	5009 △
	45mm	839131	20	5009 △
	64mm	839132	20	5009 △
	<b>Simplicity 1 - with filter</b>			
	Closed			
	starter hole (10mm-60mm)			
	White/White	511310	30	7951 △
	White/Clear	511311	30	7951 △
	pre-cut			
	White/White			
	30mm	511330	30	7951 △
	40mm	511340	30	7951 △
50mm	511350	30	7951 △	
60mm	511360	30	7951 △	
<b>Simplicity 1 Anatomical</b>				
Closed				
Opaque - starter hole	541310	30	7538 △	
30mm	541330	30	7538 △	
40mm	541340	30	7538 △	
50mm	541350	30	7538 △	
T J Shannon Ltd	Night bags	TJS 948e	1	2813
	Day bags	TJS 948f	1	2458
	Disposable bags	TJS 948g	100	1218
	Day bags tap outlet	TJS 948j	1	2813
	Night bags tap outlet	TJS 948k	1	3067
	Bags with elastic necks		50	2456
	Disposable bags and plaster sealed both ends		12	672
A H Shaw & Partners Ltd	Hainsworth bags with body mould adhesive hole size 25mm, 32mm, 38mm, and 51mm	NSI 63	20	4768
	Hainsworth bags with Healwell adhesive hole size 25mm, 32mm, 38mm, and 51mm	NSI 39	20	2503
	Stick on bags with plasters	NSI 62	10	948
	Shaw double seal			
	280mm x 154mm	NSI 64	100	1141
	Colostomy bags			
350mm x 204mm	NSI 65	100	1248	

## STOMA APPLIANCES

## COLOSTOMY BAGS

Manufacturer	Appliance	Order No.	Quantity	List Price p
Ward Surgical Appliance Co	Colostomy Disposable bags, sealed both ends			
	30.5cm x 102mm with			
	102mm x 76mm plasters	WM 15	10	887
	30.5cm x 127mm with			
	102mm x 102mm plasters	WM 16	10	887
	Rubber colostomy bag with mount outlet	WM 12	1	1531
Welland Medical Ltd	<b>Curvex</b> closed pouches with soft flexible flange, all over soft cover and filter			
	Beige			
	25mm plateau starter hole	CCS 513	10	2361
	32mm plateau starter hole	CCM 513	10	2361
	32mm plateau 25mm pre-cut	CCM 525	10	2361
	32mm plateau 32mm pre-cut	CCM 532	10	2361
	43mm plateau starter hole	CCL 513	10	2361
	43mm plateau 32mm pre-cut	CCL 532	10	2361
	43mm plateau 38mm pre-cut	CCL 538	10	2361
	Clear			
	25mm plateau starter hole	CCS 713	10	2361
	32mm plateau starter hole	CCM 713	10	2361
	43mm plateau starter hole	CCL 713	10	2361
	<b>Silhouette</b> Standard Length Closed Pouches			
	Beige			
	10mm	SCS 510	30	6626
	25mm	SCS 525	30	6626
	29mm	SCS 529	30	6626
	32mm	SCS 532	30	6626
	35mm	SCS 535	30	6626
	38mm	SCS 538	30	6626
	44mm	SCS 544	30	6626
	51mm	SCS 551	30	6626
	60mm	SCS 560	30	6626
	Clear			
	10mm	SCS 710	30	6626
	25mm	SCS 725	30	6626
	29mm	SCS 729	30	6626
	32mm	SCS 732	30	6626
	35mm	SCS 735	30	6626
	38mm	SCS 738	30	6626
	44mm	SCS 744	30	6626
	51mm	SCS 751	30	6626
	60mm	SCS 760	30	6626

IXC

## STOMA APPLIANCES

## COLOSTOMY BAGS

Manufacturer	Appliance	Order No.	Quantity	List Price p
Welland Medical Ltd	<b>Silhouette Vogue</b> Shorter Length Closed Pouches			
	Beige 10mm	SCV 510	30	5878
	25mm	SCV 525	30	5878
	29mm	SCV 529	30	5878
	32mm	SCV 532	30	5878
	35mm	SCV 535	30	5878
	38mm	SCV 538	30	5878
	44mm	SCV 544	30	5878
	51mm	SCV 551	30	5878
	<b>Vogue Mini Bags</b>			
	Beige starter hole 10mm	VOG 910	30	6126
	25mm	VOG 925	30	6126
	29mm	VOG 929	30	6126
	32mm	VOG 932	30	6126
	35mm	VOG 935	30	6126
	38mm	VOG 938	30	6126
	44mm	VOG 944	30	6126
	51mm	VOG 951	30	6126
	<b>Welland</b> Colostomy Bags with soft backing			
	Beige starter hole 10mm	FSC 910	30	6908
	25mm	FSC 925	30	6908
	29mm	FSC 929	30	6908
	32mm	FSC 932	30	6908
	35mm	FSC 935	30	6908
	38mm	FSC 938	30	6908
	44mm	FSC 944	30	6908
	51mm	FSC 951	30	6908
	60mm	FSC 960	30	6908
	Clear starter hole 10mm	FSC 710	30	6908
	25mm	FSC 725	30	6908
	29mm	FSC 729	30	6908
	32mm	FSC 732	30	6908
	35mm	FSC 735	30	6908
	38mm	FSC 738	30	6908
	44mm	FSC 744	30	6908
	51mm	FSC 751	30	6908
	60mm	FSC 760	30	6908
	<b>Welland FreeStyle</b> Colostomy Pouches (incorporating Dual-Carb Filter)			
	Closed pouch with clear odour barrier film on flange side, opaque odour barrier film on filter side. Both sides covered with beige polyethylene soft back.			
	Medium 13mm starter hole (cuts to 60mm)			
	pre-cut	FMC 513	30	7079
	25mm	FMC 525	30	6944
	29mm	FMC 529	30	6944
	32mm	FMC 532	30	6944
	35mm	FMC 535	30	6944
	38mm	FMC 538	30	6944
	44mm	FMC 544	30	6944
	Large 13mm starter hole (cuts to 60mm)			
		FLC 513	30	7079



## STOMA APPLIANCES

## COLOSTOMY BAGS

Manufacturer	Appliance	Order No.	Quantity	List Price p	
Welland Medical Ltd	pre-cut				
	25mm	FLC 525	30	7079	
	29mm	FLC 529	30	7079	
	32mm	FLC 532	30	7079	
	35mm	FLC 535	30	6944	
	38mm	FLC 538	30	7079	
	44mm	FLC 544	30	7079	
	Closed pouch with clear odour barrier film on both sides and a white polyethylene soft back layer on the flange side.				
		Medium 13mm starter hole (cuts to 60mm)	FMC 713	30	7079
		Large 13mm starter hole (cuts to 60mm)	FLC 713	30	7079
	pre-cut				
	25mm	FLC 725	30	6944	
	29mm	FLC 729	30	6944	
	32mm	FLC 732	30	6944	
	35mm	FLC 735	30	6944	
	38mm	FLC 738	30	6944	
	44mm	FLC 744	30	6944	
	Closed pouch with integral convexity with soft backing Beige soft backing to both sides				
		Medium 13mm starter hole (cuts to 35mm)	NCM 513	10	2621
	pre-cut				
	25mm	NCM 525	10	2621	
	29mm	NCM 529	10	2621	
	32mm	NCM 532	10	2621	
	35mm	NCM 535	10	2621	
		Large 13mm starter hole (cuts to 48mm)	NCL 513	10	2621
	pre-cut				
	35mm	NCL 535	10	2621	
38mm	NCL 538	10	2621		
44mm	NCL 544	10	2621		
Clear with white soft backing on flange side					
	Medium 13mm starter hole (cuts to 35mm)	NCM 713	10	2621	
	Large 13mm starter hole (cuts to 48mm)	NCL 713	10	2621	
<b>Welland FreeStyle Flushable</b> Colostomy Pouches (incorporating Dual-Carb Filter)					
Seam welded closed pouch with softback layer on both sides, a hydrocolloid wafer and an inner collection pouch which is toilet disposable					
	Medium				
	19mm	FFM 519	30	8117	
	25mm	FFM 525	30	8117	
	29mm	FFM 529	30	8117	
	32mm	FFM 532	30	8117	
	35mm	FFM 535	30	8117	
	38mm	FFM 538	30	8117	
	44mm	FFM 544	30	8117	
	Large				
	19mm	FFL 519	30	8117	
	25mm	FFL 525	30	8117	
	29mm	FFL 529	30	8117	
	32mm	FFL 532	30	8117	
	35mm	FFL 535	30	8117	
	38mm	FFL 538	30	8117	
	44mm	FFL 544	30	8117	

IXC

## STOMA APPLIANCES

## COLOSTOMY BAGS

Manufacturer	Appliance	Order No.	Quantity	List Price p
Welland Medical Ltd	<b>Welland FreeStyle Oval</b> Colostomy Pouches with soft backing			
	Beige starter hole 13mm	FCV 513	30	7053
	Clear starter hole 13mm	FCV 713	30	7053
	<b>Welland Impact</b> Colostomy Bags with Toilet disposable liner and soft backing			
	Mini			
	Beige			
	19mm	IMP 219	30	5845
	25mm	IMP 225	30	5845
	29mm	IMP 229	30	5845
	32mm	IMP 232	30	5845
	35mm	IMP 235	30	5845
	38mm	IMP 238	30	5845
	44mm	IMP 244	30	5845
	51mm	IMP 251	30	5845
	Standard			
	Beige			
	19mm	IMP 919	30	7113
	25mm	IMP 925	30	7113
	29mm	IMP 929	30	7113
	32mm	IMP 932	30	7113
	35mm	IMP 935	30	7113
	38mm	IMP 938	30	7113
	44mm	IMP 944	30	7113
	51mm	IMP 951	30	7113
	Maxi			
	Beige			
	19mm	IMP 319	30	7113
	25mm	IMP 325	30	7113
	29mm	IMP 329	30	7113
	32mm	IMP 332	30	7113
	35mm	IMP 335	30	7113
	38mm	IMP 338	30	7113
	44mm	IMP 344	30	7113
	51mm	IMP 351	30	7113
	<b>Welland Ovation</b> Closed Pouch with oval skin protector.			
	Clear			
	starter hole 10mm	FCO 710	30	7143
	Beige			
	starter hole 10mm	FCO 910	30	7143

## STOMA APPLIANCES

## COLOSTOMY SETS

Manufacturer	Appliance	Order No.	Quantity	List Price p
Mentor Medical Ltd	Chiron Appliances Adhesive model with spout bag			
	MK I	WE001-38-W	1	7754
	MK III	WE007-38-X	1	7754
Omex Medical Ltd	Schacht Odourproof Colostomy Appliance	785466	1	2955
T J Shannon Ltd	Easychange Colostomy Appliance 27mm, 40mm, 57mm		1	492
	Colostomy Outfit	TJS 948A	1	8301
	Colostomy Outfit	TJS 948NA	1	8038
	Colostomy Outfit	TJS 948T	1	4401
	Adhesive Appliance	TJS 948B	1	5360
A H Shaw & Partners Ltd	Complete Colostomy outfit comprising of a 102mm wide elastic web belt with groin-strap 660mm, 715mm etc. to 107cm, 1 Colostomy facepiece (flange), 100 Colostomy bags 280mm x 154mm	NSI 6	1	4418
	Complete Colostomy outfit comprising of an adjustable 102mm wide elastic web belt with groin-strap 660mm, 715mm etc. to 107cm, 1 Colostomy facepiece, 100 Colostomy bags 280mm x 154mm	NSI 8	1	4825

IXC

## STOMA APPLIANCES

## DEODORANTS

Manufacturer	Appliance	Order No.	Quantity	List Price p
Adams Healthcare see Ecolab				
Anglo Venture 2000 Ltd	Friends Ostomy Deodorant Spray			
	Cinnamon	012345	75ml	355
	Victorian Rose	012346	75ml	355
	Lemon	012347	75ml	355
C S Bullen Ltd	Shelter Deodorant	520	125ml	321
	Shelter Deodorant Sachet	530	50	975
CliniMed Ltd Essentials Accessories	LiMone Ostomy Deodorant Spray	3905	50ml	482
Coloplast Ltd	Coloplast OAD	1523	36ml	463
	● Ostobon Deodorising Powder Tube	4750	22g	472
● Please refer to manufacturer for availability				
Dansac Ltd	Nodor S	080-00	50ml	412
		080-01	250ml	843
Ecolab (formerly Adams Healthcare)	Atmocol Pocket Spray	785911	25ml	209
Hollister Ltd	Adapt Lubricating Deodorant	78500	236ml	897
	Adapt Lubricating Deodorant Sachet	78501	50	1274
Loxley Products	Day-drop	LL04	7.5ml	109
		LL05	15ml	181
		LL06	30ml	309
	Lemon Day-drop	LL07	7.5ml	109
		LL08	15ml	181
	Lemon Day-drop Spray	LL010	50ml	345
Mentor Medical Ltd	Chironair Odour Control Liquid	WN003-01-F	110ml	649
Opus Healthcare	NaturCare (pump spray)	1100	50ml	390
	NaturCare Fragrant (pump spray)	1101	50ml	382
	NaturCare Zest (pump spray)	1102	50ml	382
	NaturCare Breeze (pump spray)	1103	50ml	382
	NaturCare (aerosol spray)	1100A	50ml	469
	NaturCare Fragrant (aerosol spray)	1101A	50ml	469
	NaturCare Zest (aerosol spray)	1102A	50ml	469
	NaturCare Breeze (aerosol spray)	1103A	50ml	469
OstoMart	OstoMIST Odour Neutralising Spray	BDW1	100ml	755
		BDW2	50ml	387
	Grapefruit	DWR1	100ml	755
		DWR2	50ml	387
	Apple	DPA1	100ml	755
		DPA2	50ml	387
	OstoZYME Odour Neutralising Lubricating Gel sachets	TCB3	30 x 8ml	1750
	Pelican Healthcare Ltd	Dor Pouch Deodorant	130103	7ml
Citrus Fresh Pouch Deodorant Spray		2200	50ml	395

**STOMA APPLIANCES****DEODORANTS**

Manufacturer	Appliance	Order No.	Quantity	List Price p
Rusch UK see Teleflex Medical				
Salts Healthcare	Noroma	833021	28ml	269 △
		833056	227ml	877 △
	Fresh Aire	FA1	50ml	382 △
T J Shannon	Colostomy Plus		7ml	298
A H Shaw & Partners Ltd	Forest Breeze	NSI 61	14ml	378
Teleflex Medical (formerly Rusch UK)	Rusch Translet			
	Plus One Male	703001	7ml	314
	Plus Two Female	703002	7ml	314
UCI Healthcare Ltd	Auricare Faecal Odour Eliminator	ACD125	125ml	907
		ACD60	60ml	427

**DISCHARGE SOLIDIFYING AGENTS****IXC**

Manufacturer	Appliance	Order No.	Quantity	List Price p
B.Braun Medical	Ileo Gel Tablets	005010	30	916
C S Bullen Ltd	Absorbian Core (only for use with Absorbian drainable pouch)	UFAS04	20	1500
	Absorbian Sachet	UFAS-01	30	750
	Absorbian Sachet Plus	UFAS-02	30	750
	Absorbian Wand	UFAS-03	60	1500
CliniMed Ltd Essentials Accessories	Morform Sachet	3837	60	1835
Oakmed Ltd	Gel-X Capsules		140	1425
	Gel-X Tablets		140	1425
Opus Healthcare Ltd	AbsorbaGel	9900	150	4500
OstoMart	OstoSORB 3g sachets	PFW5	30	918
ProSys International Ltd	ProSys Absorbent Strips	P100AS	100	950

**STOMA APPLIANCES****FILTERS/BRIDGES**

Manufacturer	Appliance	Order No.	Quantity	List Price p
B. Braun Medical	Biotrol Flatus Filters	35-500	50	1335
Coloplast Ltd	Filtrodor Filters	0509	50	2200
Cuxson Gerrard	Flatus Patches T33 3.8cm x 3.8cm	FLA 830	50	360
Hollister Ltd	Replacement Filter elements for series 366 drainable bags	7766	20 100	337 1654
Mentor Medical Ltd	Doublesure Flatus Filter (pack)	WJ130-11-N	10	391
	Stoma Bridge	32-298-07	20	351
	Spare filters for Beta & Omni range	32-297-34	20	826
	Spare filters for Mirage drainable pouches	32-560-20	20	453
Opus Healthcare Ltd	ClearWay Stoma Bridge	7700	30	966
	ClearWay Stoma Bridge Mini	8800	30	968 △
Salts Healthcare	Metal Bridges- for use with other disposable bags	833053	30	1546 △

## STOMA APPLIANCES

## FLANGES

Manufacturer	Appliance	Order No.	Quantity	List Price p
C S Bullen Ltd	Lenbul			
	25mm diameter 51mm base	UF 24	1	934
	38mm diameter 76mm base	UF 25	1	1421
	51mm diameter 102mm base	UF 26	1	1658
Coloplast Ltd	St Mark's Flange with Inner Cuff			
	25mm diam, 16mm deep 76mm base	781704	1	1468
	32mm diam, 16mm deep 76mm base	781705	1	1468
	35mm diam, 16mm deep 100mm base	781706	1	1468
	38mm diam, 16mm deep 100mm base	781707	1	1468
	45mm diam, 16mm deep 100mm base	781708	1	1468
	50mm diam, 16mm deep 100mm base	781709	1	1468
	DBT Medical Ltd (Formerly Rusch UK)	St Mark's Flanges made in two Rubbers with Hard Centre		
	22mm int diam, 16mm deep, 76mm base	LM 841101	2	3657
	32mm int diam, 16mm deep, 76mm base	LM 841103	2	3657
	32mm int diam, 10mm deep, 76mm base	LM 841104	2	3657
	38mm int diam, 16mm deep, 76mm base	LM 841105	2	3657
	38mm int diam, 10mm deep, 76mm base	LM 841106	2	3657
	44mm int diam, 16mm deep, 102mm base	LM 841107	2	3657
	25mm int diam, 13mm deep, 76mm base	LM 841110	2	3657
	51mm int diam, 16mm deep, 102mm base	LM 841109	2	3657
	St Mark's Flanges made in Soft Honey Coloured Rubber			
	25mm int diam, 13mm deep, 51mm base	LM 842101	2	2133
	32mm int diam, 16mm deep, 76mm base	LM 842103	2	2133
	32mm int diam, 10mm deep, 76mm base	LM 842104	2	2133
	38mm int diam, 16mm deep, 76mm base	LM 842105	2	2133
	38mm int diam, 10mm deep, 76mm base	LM 842106	2	2133
	44mm int diam, 16mm deep, 102mm base	LM 842107	2	2133
	51mm int diam, 16mm deep, 102mm base	LM 842109	2	2133
	25mm int diam, 13mm deep, 76mm base	LM 842111	2	2133
	Any of the above Flanges are available with a Diaphragm, or Cowl, or Dressing Retainer at the extra cost of:			324

IXC

## STOMA APPLIANCES

## FLANGES

Manufacturer	Appliance	Order No.	Quantity	List Price p
DBT Medical Ltd (Formerly Rusch UK)	St Mark's Flanges, Black Firm Rubber			
	22mm int diam, 13mm deep, 51mm base	LM 843101	2	2441
	32mm int diam, 16mm deep, 76mm base	LM 843103	2	2441
	32mm int diam, 10mm deep, 76mm base	LM 843104	2	2441
	38mm int diam, 16mm deep, 76mm base	LM 843105	2	2441
	38mm int diam, 10mm deep, 76mm base	LM 843106	2	2441
	44mm int diam, 16mm deep, 102mm base	LM 843107	2	2441
	51mm int diam, 16mm deep, 102mm base	LM 843109	2	2441
	Birkbeck Flanges, White Rubber			
	20mm int diam, 16mm deep, 75mm base	LM 722019	2	2441
38mm int diam, 16mm deep, 90mm base	LM 722038	2	2441	
Jade-Euro-Med Ltd	Colostomy flange St Mark's pattern, state size	KM54	1	1485
	Colostomy flange St Mark's pattern with diaphragm, state size	KM55	1	1485
Mentor Medical Ltd	Chiron Flanges,			
	38mm int diam,			
	10mm deep	WK102-38-K	1	1821
	32mm 16mm deep	WK104-32-F	1	1821
	38mm 16mm deep	WK104-38-T	1	1821
	Rubber Flange			
	38mm int diam, 16mm deep	WK108-38-L	1	1821
	St Mark's Pattern Flanges			
	25mm diam, 13mm deep			
	51mm base	WK111-25-B	1	1551
	76mm base	WK113-25-K	1	1551
	32mm diam, 10mm deep			
	76mm base	WK115-32-Q	1	1551
	32mm diam, 16mm deep			
	76mm base	WK117-32-Y	1	1551
	38mm diam, 10mm deep			
	76mm base	WK119-38-V	1	1551
38mm diam, 16mm deep				
76mm base	WK121-38-R	1	1551	
44mm diam, 16mm deep	WK123-44-U	1	1551	
102mm base				
51mm diam, 16mm deep	WK125-51-A	1	1551	
102mm base				
38mm with dressing retainer	WK126-01-N	1	1959	
38mm with 16mm canopy	WK126-02-Q	1	1959	



## STOMA APPLIANCES

## FLANGES

Manufacturer	Appliance	Order No.	Quantity	List Price p
Mentor Medical Ltd	Flanges all Blue Rubber			
	25mm int diam, 13mm deep, 51mm base	WK132-25-R	1	1647
	38mm int diam, 10mm deep, 76mm base	WK135-38-P	1	1647
	38mm int diam, 16mm deep, 76mm base	WK138-38-C	1	1647
	Flanges Blue and Brown			
	25mm int diam, 13mm deep, 76mm base	WK141-25-S	1	2391
	38mm int diam, 10mm deep, 76mm base	WK144-38-Q	1	2391
	38mm int diam, 16mm deep, 76mm base	WK147-38-D	1	2391
	Rubber Flanges, double base hole 38mm int diam	WK160-38-J	1	2413
	Redifit belt flange			
	25mm	WL124-01-25	1	74
	32mm	WL124-01-32	1	74
	38mm	WL124-01-38	1	74
	44mm	WL124-01-44	1	74
	51mm	WL124-01-51	1	74
	64mm	WL124-01-64	1	74
	75mm	WL124-01-75	1	74
Omex Medical Ltd	Schacht Colo Flanges and Locking Rings	784583	1	540
	Schacht Ileo Flanges and Locking Rings	784575	1	540
Rusch UK see DBT Medical Ltd				
Salts Healthcare	Latex Foam Diaphragm with Rigid Face Piece Flanges 38mm	811002	1	4660 △
	Latex Sheath for use with 811002 Flanges	811003	1	775 △
	SF1 Soft Rubber Flanges 25mm	822001	1	821 △
	SF4 Soft Rubber Flange 38mm	822004	1	834 △
	SF5 Semi-Rigid Flange 38mm	822005	1	1429 △
	SF6 Semi-Rigid Hard Rubber Flange 38mm	822006	1	953 △
A H Shaw & Partners Ltd	Rubber Adhesive Flange	NSI 1	1	668
	Rubber Non-Stick Flange	NSI 2	1	808
	Adhesive Flange & Diaphragm	NSI 3	1	1051
	Colostomy facepiece rubber-foam face, hole diameter 45mm, 65mm, 77mm	NSI 9	1	1222
Ward Surgical Appliance Co	Plastic/Rubber airfilled Flange	WM 88	1	1784
	St Mark's standard flange	WM 100	1	1174
	St Mark's flange with diaphragm	WM 101	1	1435

IXC

## STOMA APPLIANCES

## ILEOSTOMY (DRAINABLE) BAGS

Manufacturer	Appliance	Order No.	Quantity	List Price p
B. Braun Medical	<b>Biotrol</b>			
	Elite bag with skin protector adhesive and fabric backing			
	Beige			
	starter hole	38-810	30	7860
	20mm	38-820	30	7860
	25mm	38-825	30	7860
	30mm	38-830	30	7860
	35mm	38-835	30	7860
	40mm	38-840	30	7860
	45mm	38-845	30	7860
	50mm	38-850	30	7860
	60mm	38-860	30	7860
	70mm	38-870	30	7860
	Transparent			
	starter hole	31-810	30	7415
	20mm	31-820	30	7280
	25mm	31-825	30	7280
	30mm	31-830	30	7280
	35mm	31-835	30	7280
	40mm	31-840	30	7280
	45mm	31-845	30	7280
	50mm	31-850	30	7280
	60mm	31-860	30	7280
	70mm	31-870	30	7280
	White			
	starter hole	34-815	30	7860
	20mm	34-820	30	7860
	25mm	34-825	30	7860
	30mm	34-830	30	7860
	35mm	34-835	30	7860
	40mm	34-840	30	7860
	45mm	34-845	30	7860
	50mm	34-850	30	7860
	60mm	34-860	30	7860
	70mm	34-870	30	7860
	Elite Petite bag with skin protector adhesive and fabric backing			
	Beige			
	starter hole	37-710	30	6744
	25mm	37-725	30	6744
	30mm	37-730	30	6744
	35mm	37-735	30	6744
	40mm	37-740	30	6744
	45mm	37-745	30	6744
	Ileo S Bag with skin protector			
	White			
	starter hole	32-715	30	7860
	20mm	32-720	30	7860
	25mm	32-725	30	7860
	30mm	32-730	30	7860
	35mm	32-735	30	7860
	40mm	32-740	30	7860
	45mm	32-745	30	7860
	50mm	32-750	30	7860
	60mm	32-760	30	7860
	70mm	32-770	30	7860
	Post-op Bag			
	Transparent			
	Small	32-210	30	8190
	Large	32-215	30	11503

## STOMA APPLIANCES

## ILEOSTOMY (DRAINABLE) BAGS

Manufacturer	Appliance	Order No.	Quantity	List Price p	
B.Braun Medical	Preference Bag with skin protector, microporous adhesive and fabric backing				
	Beige	starter hole	34-615	30 7860	
		20mm	34-620	30 7860	
		25mm	34-625	30 7860	
		30mm	34-630	30 7860	
		35mm	34-635	30 7860	
		40mm	34-640	30 7860	
		45mm	34-645	30 7860	
		50mm	34-650	30 7860	
		60mm	34-660	30 7860	
		Almays bag with Interface adhesive and all over, soft non-woven cover.			
		Transparent	starter hole	77-015	30 7105
		Beige	starter hole	77-115	30 7105
			25mm	77-025	30 7105
			30mm	77-030	30 7105
			35mm	77-035	30 7105
			40mm	77-040	30 7105
			45mm	77-045	30 7105
			50mm	77-050	30 7105
			60mm	77-060	30 7105
		Almays Optima Drainable bag with all over soft non-woven cover			
		Transparent	starter hole	F018710E	30 6845
		Beige	starter hole	F008710E	30 6845
			25mm	F008725E	30 6845
			30mm	F008730E	30 6845
			35mm	F008735E	30 6845
			40mm	F008740E	30 6845
			45mm	F008745E	30 6845
			50mm	F008750E	30 6845
		60mm	F008760E	30 6845	
	Almays Optima Mini Drainable bag with all over soft non woven cover				
	Beige	20mm	F008820E	30 6367	
		25mm	F008825E	30 6367	
		30mm	F008830E	30 6367	
		35mm	F008835E	30 6245	
		40mm	F008840E	30 6367	
	Almays Optima Drainable bag with filter and soft cover				
	Transparent	starter hole 10mm	F019510E	30 6728	
	Beige	starter hole 10mm	F009510E	30 6728	
		25mm	F009525E	30 6728	
		30mm	F009530E	30 6728	
		35mm	F009535E	30 6728	
		40mm	F009540E	30 6728	
		45mm	F009545E	30 6728	
		50mm	F009550E	30 6728	
		60mm	F009560E	30 6728	
	Almays Preference Drainable bag with skin protector and microporous adhesive and all over soft non-woven cover				
	Transparent	starter hole 10mm	F018410E	30 6845	
	Beige	starter hole 10mm	F008410E	30 6845	

IXC

## STOMA APPLIANCES

## ILEOSTOMY (DRAINABLE) BAGS

Manufacturer	Appliance	Order No.	Quantity	List Price p
B.Braun Medical	<b>Softima</b> drainable pouch with filter, skin protector, protective cover and "Flow Control" soft outlet			
	Beige			
	cut-to-fit 16-60mm	043716E	30	8612
	pre-cut 24mm	043724E	30	8612
	28mm	043728E	30	8612
	32mm	043732E	30	8612
	36mm	043736E	30	8612
	40mm	043740E	30	8612
	45mm	043745E	30	8612
	Transparent			
	cut-to-fit 16-60mm	043816E	30	8612
C S Bullen Ltd	<b>Absorbian</b> drainable pouch - 2 Openings with Bio-dressing resin, microporous adhesive and skin barrier			
	Clear			
	cut-to-fit 13mm-80mm	UFAS05	15	3190
	<b>Lenbul</b>			
	With screw outlet			
	Day Bag	F5	1	1321
	Night Bag	F6	1	1455
	<b>Shelter Drainable Pouch</b>			
	Extra Large Opaque			
	cut-to-fit 13-80mm	3600/00	15	2440
	Bio dressing, resin			
	Beige			
	cut-to-fit 13mm-64mm	3250/00	15	2540
	13mm-80mm	3450/00	15	2555
	pre-cut 19mm	3250/19	15	2540
	25mm	3250/25	15	2540
	32mm	3250/32	15	2540
	38mm	3250/38	15	2540
	44mm	3250/44	15	2540
	51mm	3250/51	15	2540
	58mm	3250/58	15	2540
	64mm	3250/64	15	2540
	Clear Infant			
	cut-to-fit 8mm-51mm	3350/00	15	2540
	Newborn			
	cut-to-fit 8mm-25mm	3550/00	15	2540
	Microporous adhesive, bio dressing resin			
	Beige			
	cut-to-fit 13mm-64mm	3245/00	15	2440
	13mm-80mm	3445/00	15	2795
	pre-cut 19mm	3245/19	15	2440
	25mm	3245/25	15	2440
	32mm	3245/32	15	2440
	38mm	3245/38	15	2440
	44mm	3245/44	15	2440
	51mm	3245/51	15	2440
	58mm	3245/58	15	2440
	64mm	3245/64	15	2440
	Pouch with 2 openings Microporous adhesive, bio dressing resin			
	Beige			
	cut-to-fit 13mm-64mm	4102/00	15	2780
	19mm	4102/19	15	2780
	pre-cut 25mm	4102/25	15	2780
	32mm	4102/32	15	2780
	38mm	4102/38	15	2780
	44mm	4102/44	15	2780
	51mm	4102/51	15	2780
	57mm	4102/57	15	2780
	64mm	4102/64	15	2780

## STOMA APPLIANCES

## ILEOSTOMY (DRAINABLE) BAGS

Manufacturer	Appliance	Order No.	Quantity	List Price p	
C S Bullen Ltd	<b>Shelter Drainable Pouch</b> Microporous adhesive				
	Clear				
	cut-to-fit 13-64mm	3200/00	15	2780	
	pre-cut 19mm	3200/19	15	2780	
	25mm	3200/25	15	2780	
	32mm	3200/32	15	2780	
	38mm	3200/38	15	2780	
	44mm	3200/44	15	2780	
	51mm	3200/51	15	2780	
	58mm	3200/58	15	2780	
	64mm	3200/64	15	2780	
Coloplast Ltd	<b>Assura Inspire Drainable Bag with Integral Filter and Soft Backing</b>				
	Mini Transparent				
	starter hole 10-55mm	13300	30	7419	
	Midi Transparent				
	starter hole 10-55mm	13330	30	7419	
	pre-cut 25mm	13334	30	7290	
	30mm	13335	30	7290	
	35mm	13336	30	7290	
	Maxi Transparent				
	starter hole 10-70mm	13360	30	7419	
	pre-cut 25mm	13364	30	7290	
	30mm	13365	30	7290	
	35mm	13366	30	7290	
	<b>Inspire Drainable Bag with Integral Filter and Opaque Soft Cover Front and Back</b>				
	Mini Soft Cover				
	starter hole 10-55mm	13310	30	7419	
	Midi Soft Cover				
	starter hole 10-55mm	13340	30	7419	
	ready cut 25mm	13344	30	7419	
	30mm	13345	30	7419	
	35mm	13346	30	7419	
	Maxi Soft Cover				
	starter hole 10-70mm	13370	30	7419	
	pre-cut 25mm	13374	30	7290	
	30mm	13375	30	7290	
	35mm	13376	30	7290	
	<b>Inspire Drainable Bag with Integral Filter and Soft Cover Front and Back</b>				
Mini Design					
starter hole 10-55mm	13320	30	7419		
Midi Design					
starter hole 10-55mm	13350	30	7419		
pre-cut 25mm	13354	30	7290		
30mm	13355	30	7290		
35mm	13356	30	7290		
Maxi Design					
starter hole 10-70mm	13380	30	7419		
pre-cut 25mm	13384	30	7290		
30mm	13385	30	7290		
35mm	13386	30	7290		

IXC

## STOMA APPLIANCES

## ILEOSTOMY (DRAINABLE) BAGS

Manufacturer	Appliance	Order No.	Quantity	List Price p
Coloplast Ltd	<b>Assura</b> Drainable Bag with soft backing			
	Mini Opaque starter hole 10mm	2400	30	7563
	Midi Clear starter hole 10mm	2450	30	7563
	25mm	2454	30	7563
	30mm	2455	30	7563
	35mm	2456	30	7563
	40mm	2457	30	7563
	Midi Opaque starter hole 10mm	2440	30	7563
	25mm	2444	30	7563
	30mm	2445	30	7563
	35mm	2446	30	7563
	40mm	2447	30	7563
	Maxi Clear starter hole 10mm	2490	30	7563
	25mm	2494	30	7563
	30mm	2495	30	7563
	35mm	2496	30	7563
	40mm	2497	30	7563
	Maxi Opaque starter hole 10mm	2520	30	7563
	25mm	2524	30	7563
	30mm	2525	30	7563
	35mm	2526	30	7563
	40mm	2527	30	7563
	Inspire Drainable Bag with Integral Filter and Soft Cover Front and Back.			
	Paediatric Clear starter hole 10-35mm	2115	30	6414
	Paediatric Opaque starter hole 10-35mm	2110	30	6414
	Large Post-Op for high output Clear starter hole 10-70mm	12805	10	2829
	Drainable Bag with opaque Soft Cover front and back			
	Mini starter hole 10-55mm	12400	30	7563
	Midi starter hole 10-55mm	12440	30	7563
	pre-cut 25mm	12444	30	7563
	30mm	12445	30	7563
	35mm	12446	30	7563
	40mm	12447	30	7563
	45mm	12448	30	7563
	50mm	12449	30	7563
	Maxi starter hole 10-70mm	12490	30	7563

## STOMA APPLIANCES

## ILEOSTOMY (DRAINABLE) BAGS

Manufacturer	Appliance	Order No.	Quantity	List Price p
Coloplast Ltd	<b>Assura Seal</b> Integral Convexity Drainable Bags with Soft Backing			
	Important: This product with Integral Convexity should only be used after prior assessment of suitability by an appropriate medical professional.			
	Maxi Clear	21mm	12953	10 2562
		25mm	12954	10 2562
		28mm	12955	10 2562
		31mm	12956	10 2562
		35mm	12957	10 2562
		38mm	12958	10 2562
		41mm	12959	10 2562
	Maxi Opaque			
	starter hole	15-33mm	12582	10 2562
		15-43mm	12583	10 2562
	Maxi Opaque	18mm	12962	10 2562
		21mm	12963	10 2562
		25mm	12964	10 2562
		28mm	12965	10 2562
		31mm	12966	10 2562
		35mm	12967	10 2562
		38mm	12968	10 2562
		41mm	12969	10 2562
	<b>Assura Inspire Seal</b> Integral Convexity Drainable Bags with integral filter and Soft Backing with Hide-away outlet.			
	Important: This product with Integral Convexity should only be used after prior assessment of suitability by an appropriate medical professional.			
	Maxi Transparent			
	starter hole	15-33mm	14102	10 2758
		15-43mm	14103	10 2758
	pre-cut	21mm	14163	10 2758
	pre-cut	25mm	14164	10 2758
	pre-cut	28mm	14165	10 2758
	pre-cut	31mm	14166	10 2758
	<b>Assura Inspire Seal</b> Integral Convexity Drainable Bags with integral filter, opaque Soft Cover Front and Back with Hide-away outlet.			
	Important: This product with Integral Convexity should only be used after prior assessment of suitability by an appropriate medical professional.			
	Midi Soft Cover			
	starter hole	15-33mm	14195	10 2758
		15-43mm	14196	10 2758
	Maxi Soft Cover			
	starter hole	15-33mm	14105	10 2758
		15-43mm	14106	10 2758
	pre-cut	21mm	14173	10 2758
	pre-cut	25mm	14174	10 2758
	pre-cut	28mm	14175	10 2758
	pre-cut	31mm	14176	10 2758
	Maxi Design			
	starter hole	15-33mm	14108	10 2774
		15-43mm	14109	10 2774

IXC

## STOMA APPLIANCES

## ILEOSTOMY (DRAINABLE) BAGS

Manufacturer	Appliance	Order No.	Quantity	List Price p
Coloplast Ltd	<b>Assura Inspire Drainable Bag with Integral Filter, opaque Soft Cover Front and Back with Hide-away outlet</b>			
	Mini Opaque			
	starter hole 12-55mm	13810	30	8446
	Midi Opaque			
	starter hole 12-55mm	13840	30	8446
	pre-cut 25mm	13844	30	8446
	pre-cut 30mm	13845	30	8446
	pre-cut 35mm	13846	30	8446
	Maxi Opaque			
	starter hole 12-70mm	13870	30	8446
	pre-cut 25mm	13874	30	8446
	pre-cut 30mm	13875	30	8446
	pre-cut 35mm	13876	30	8446
	<b>Assura Inspire Drainable Bag with Integral Filter, Soft Backing with Hide-away outlet</b>			
	Midi Transparent			
	starter hole 12-55mm	13830	30	8446
	Maxi Transparent			
	starter hole 12-70mm	13860	30	8446
	<b>Assura Inspire Drainable Bag with Integral Filter, opaque design Soft Cover Front and Back with Hide-away outlet</b>			
	Midi Design			
	starter hole 12-55mm	13850	30	8446
	Maxi Design			
	starter hole 12-70mm	13880	30	8494
	<b>Assura Inspire Soft Seal Drainable bags with Hide-Away outlet</b>			
	Important: This product with Integral Convexity should only be used after prior assessment of suitability by an appropriate medical professional.			
	Midi Soft Cover			
	starter hole 15-33mm	14404	10	4088
	15-43mm	14405	10	4088
	Maxi Soft Cover			
	starter hole 15-33mm	14414	10	4088
	15-43mm	14415	10	4088
	Maxi Soft Cover			
	pre-cut 21mm	14421	10	4088
	25mm	14422	10	4088
	28mm	14423	10	4088
	31mm	14424	10	4088
	Maxi Design			
	starter hole 15-33mm	14417	10	4088
	15-43mm	14418	10	4088
	Maxi Transparent			
	starter hole 15-33mm	14411	10	4088
	15-43mm	14412	10	4088
	<b>Ileo B</b>			
	Clear 22mm	0401	100	19320
	Decorated White			
	20mm	0405	100	19320
	Mini Decorated White			
	20mm	0404	100	19200



## STOMA APPLIANCES

## ILEOSTOMY (DRAINABLE) BAGS

Manufacturer	Appliance	Order No.	Quantity	List Price p
Coloplast Ltd	<b>MC 2000</b>			
	Clear			
	20mm	5920	30	8520
	25mm	5925	30	8520
	30mm	5930	30	8520
	35mm	5935	30	8520
	40mm	5940	30	8520
	45mm	5945	30	8520
	50mm	5950	30	8520
	55mm	5955	30	8520
	60mm	5960	30	8520
	Opaque			
	25mm	6325	30	8520
	30mm	6330	30	8520
	35mm	6335	30	8520
	40mm	6340	30	8520
	45mm	6345	30	8520
	Large Open Adjustable			
	10mm-80mm	6100	30	8520
	Mini Opaque			
	20mm	5820	30	8040
	25mm	5825	30	8040
	30mm	5830	30	8040
	35mm	5835	30	8040
	40mm	5840	30	8040
	<b>PC 3000</b>			
	Clear			
	20mm	8520	30	7782
	25mm	8525	30	7782
	30mm	8530	30	7782
	35mm	8535	30	7782
	40mm	8540	30	7782
45mm	8545	30	7782	
50mm	8550	30	7782	
Opaque				
20mm	8620	30	7782	
25mm	8625	30	7782	
30mm	8630	30	7782	
35mm	8635	30	7782	
40mm	8640	30	7782	
Mini starter hole				
15mm	8980	30	7047	
20mm	8981	30	7047	
30mm	8983	30	7047	
ConvaTec Ltd	<b>Esteem Drainable Pouches with Integral Filter and InvisiClose Outlet</b>			
Medium - Opaque				
cut-to-fit	20-70mm	S5079	30	8345
pre-cut	25mm	S5080	30	8345
	30mm	S5081	30	8345
	35mm	S5082	30	8345
	40mm	S5083	30	8345
	50mm	S5084	30	8345
Small - Opaque				
cut-to-fit	20-50mm	S5072	30	8345
pre-cut	25mm	S5073	30	8345
	30mm	S5074	30	8345
	35mm	S5075	30	8345
	40mm	S5076	30	8345
	50mm	S5077	30	8345
Medium - Transparent				
cut-to-fit	20-70mm	S5078	30	8345
Small - Transparent				
cut-to-fit	20-50mm	S5071	30	8345

IXC

## STOMA APPLIANCES

## ILEOSTOMY (DRAINABLE) BAGS

Manufacturer	Appliance	Order No.	Quantity	List Price p
Conva tec Ltd	<b>Esteem Drainable Pouches with Integral Filter</b>			
	Small - clear			
	starter hole 20mm	S5040	10	2101
	Small - opaque			
	starter hole 20mm	S5041	10	2101
	pre-cut 25mm	S5042	10	2101
	30mm	S5043	10	2101
	35mm	S5046	10	2066
	40mm	S5044	10	2101
	50mm	S5045	10	2101
	Medium - clear			
	starter hole 20mm	S5047	10	2335
	Medium - opaque			
	starter hole 20mm	S5048	10	2335
	pre-cut 25mm	S5049	10	2335
	30mm	S5050	10	2335
	35mm	S5054	10	2295
	40mm	S5051	10	2335
	50mm	S5052	10	2335
	60mm	S5053	10	2335
	Large - clear			
	starter hole 20mm	S5055	10	2335
	pre-cut 25mm	S5056	10	2335
	30mm	S5057	10	2335
	35mm	S5069	10	2295
	40mm	S5058	10	2335
	50mm	S5059	10	2335
	60mm	S5060	10	2335
	70mm	S5061	10	2335
	Large - opaque			
	starter hole 20mm	S5062	10	2335
	pre-cut 25mm	S5063	10	2335
	30mm	S5064	10	2335
	35mm	S5070	10	2295
	40mm	S5065	10	2335
	50mm	S5066	10	2335
	60mm	S5067	10	2335
	70mm	S5068	10	2335
	<b>Esteem One-Piece Convex Drainable Pouch with InvisiClose Outlet, Flexible Hydrocolloid Collar, Filter and 2-sided Flocking</b>			
	Opaque			
	pre-cut 19mm	S5151	10	4200
	22mm	S5152	10	4200
	25mm	S5153	10	4200
	28mm	S5154	10	4200
	32mm	S5155	10	4200
	35mm	S5156	10	4200
	38mm	S5157	10	4200
	45mm	S5158	10	4200
	50mm	S5159	10	4200

## STOMA APPLIANCES

## ILEOSTOMY (DRAINABLE) BAGS

Manufacturer	Appliance	Order No.	Quantity	List Price p
Conva tec Ltd	<b>Esteem</b> One-Piece Convex Drainable Pouch with InvisiClose Outlet, Flexible Hydrocolloid Collar, Filter and 1-sided Flocking			
	Transparent			
	pre-cut			
	19mm	S5161	10	4200
	22mm	S5162	10	4200
	25mm	S5163	10	4200
	28mm	S5164	10	4200
	32mm	S5165	10	4200
	35mm	S5166	10	4200
	38mm	S5167	10	4200
	45mm	S5168	10	4200
	50mm	S5169	10	4200
	<b>Ileodress Pouches</b>			
	Small Size			
	Opaque			
	19mm starter hole	S851	10	2461
	25mm starter hole	S852	10	2461
	32mm starter hole	S853	10	2461
	38mm starter hole	S855	10	2461
	45mm starter hole	S856	10	2461
	50mm starter hole	S857	10	2461
	64mm starter hole	S860	10	2461
	Standard Size			
	Clear			
	19mm starter hole	S841	10	2489
	38mm pre-cut	S845	10	2489
	45mm pre-cut	S846	10	2489
	50mm pre-cut	S847	10	2489
	64mm pre-cut	S850	10	2489
	Standard Size			
	Opaque			
	19mm starter hole	S831	10	2489
	25mm pre-cut	S832	10	2489
	32mm pre-cut	S833	10	2489
	38mm pre-cut	S835	10	2489
	45mm pre-cut	S836	10	2489
	50mm pre-cut	S837	10	2489
	64mm pre-cut	S840	10	2489
	<b>Ileodress Plus</b>			
	- with modified Stomahesive wafer, perforated plastic backing and beige clip pouches			
	Standard Size			
	Clear			
	19mm starter hole	S420	10	2489
	38mm pre-cut	S423	10	2489
	45mm pre-cut	S424	10	2489
	50mm pre-cut	S425	10	2489
	64mm pre-cut	S426	10	2489
	Opaque			
	19mm starter hole	S411	10	2489
	25mm pre-cut	S412	10	2489
	32mm pre-cut	S413	10	2489
	38mm pre-cut	S414	10	2489
	45mm pre-cut	S415	10	2489
	50mm pre-cut	S416	10	2489
	64mm pre-cut	S417	10	2489
	Small Size			
	Opaque			
	19mm starter hole	S430	10	2199
	25mm	S431	10	2199
	32mm	S432	10	2199
	38mm	S433	10	2199
	45mm	S434	10	2199
	50mm	S436	10	2199
	<b>Little-Ones</b>			
	Mini Size			
	8mm starter hole	S880	15	3425
	<b>Stomadress Pouches</b>			
	Clear			
	8mm starter hole	S439	10	2421

IXC

## STOMA APPLIANCES

## ILEOSTOMY (DRAINABLE) BAGS

Manufacturer	Appliance	Order No.	Quantity	List Price p	
Dansac Ltd	<b>InVent</b> Drainable with filter, soft spunlace material on both sides anatomically shaped				
	Opaque cut-to-fit	15-60mm	339-15	30 7249	
	pre-cut	20mm	339-20	30 7249	
		25mm	339-25	30 7249	
		30mm	339-30	30 7249	
		35mm	339-35	30 7249	
		40mm	339-40	30 7249	
		45mm	339-45	30 7249	
		50mm	339-50	30 7249	
		<b>InVent Mini</b> Drainable with filter, soft spunlace material on both sides, anatomically shaped			
		Opaque cut-to-fit	15-50mm	335-15	30 7128
		pre-cut	20mm	335-20	30 7128
			25mm	335-25	30 7128
			30mm	335-30	30 7128
			35mm	335-35	30 7128
		<b>InVent Symmetrical</b> Drainable with filter, soft spunlace cover front and back (opaque) and back only (clear), symmetrically shaped			
		Clear cut-to-fit	15-60mm	338-15	30 7117
		pre-cut	20mm diam	338-20	30 7117
			25mm diam	338-25	30 7117
			30mm diam	338-30	30 7117
			35mm diam	338-35	30 7117
			40mm diam	338-40	30 7117
			45mm diam	338-45	30 7117
			50mm diam	338-50	30 7117
		Opaque cut-to-fit	15-60mm	337-15	30 7117
		pre-cut	20mm diam	337-20	30 7117
			25mm diam	337-25	30 7117
			30mm diam	337-30	30 7117
			35mm diam	337-35	30 7117
			40mm diam	337-40	30 7117
			45mm diam	337-45	30 7117
			50mm diam	337-50	30 7117
	<b>Dansac InVent Convex</b> Integral convexity drainable bag with filter, soft spunlace cover front and back, anatomically shaped				
	Important: This product with integral convexity should only be used after prior assessment of suitability by an appropriate medical professional				
	Opaque starter hole	15-24mm	341-24	10 2546	
		15-37mm	341-37	10 2546	
		15-46mm	341-46	10 2546	
	Opaque pre-cut	25mm	341-25	10 2546	
		30mm	341-30	10 2546	
		35mm	341-35	10 2546	

## STOMA APPLIANCES

## ILEOSTOMY (DRAINABLE) BAGS

Manufacturer	Appliance	Order No.	Quantity	List Price p
Dansac Ltd	<b>Dansac InVent Symm Convex</b>			
	Integral convexity drainable bag with filter, soft spunlace cover front and back (opaque) and back only (clear) symmetrically shaped			
	Important: This product with integral convexity should only be used after prior assessment of suitability by an appropriate medical professional			
	Opaque			
	starter hole	15-24mm	343-24	10 2546
		15-37mm	343-37	10 2546
		15-46mm	343-46	10 2546
	Opaque pre-cut			
		25mm	343-25	10 2546
		30mm	343-30	10 2546
		35mm	343-35	10 2546
	Clear			
	starter hole	15-24mm	344-24	10 2546
		15-37mm	344-37	10 2546
		15-46mm	344-46	10 2546
	Clear pre-cut			
		20mm	344-20	10 2546
		25mm	344-25	10 2546
		30mm	344-30	10 2546
	<b>Dansac Nova 1 Convex EasiFold Drainable</b> with integral 6mm convexity.			
	Important: This product with integral convexity should only be used after assessment by a medical professional			
	Opaque			
	cut-to-fit	15-24mm	841-24	10 3868
		15-37mm	841-37	10 3868
		15-46mm	841-46	10 3868
	pre-cut			
		20mm	841-20	10 3868
		25mm	841-25	10 3868
		30mm	841-30	10 3868
		35mm	841-35	10 3868
	Clear			
	cut-to-fit	15-24mm	842-24	10 3868
		15-37mm	842-37	10 3868
		15-46mm	842-46	10 3868
	<b>Dansac Nova 1 Soft Convex EasiFold Drainable</b> with 5mm integral convexity			
	Important: This product with integral convexity should only be used after assessment by a medical professional			
	Opaque			
	pre-cut	20mm	881-20	10 3868
		25mm	881-25	10 3868
		30mm	881-30	10 3868
		35mm	881-35	10 3868
	Clear			
	pre-cut	25mm	882-25	10 3868
		30mm	882-30	10 3868
		35mm	882-35	10 3868

IXC

## STOMA APPLIANCES

## ILEOSTOMY (DRAINABLE) BAGS

Manufacturer	Appliance	Order No.	Quantity	List Price p	
Dansac Ltd	<b>Dansac Nova 1 Drainable</b> With twin filter and water repellent soft covers includes increased outlet. Anatomical Opaque cut-to-fit	15-60mm 20-60mm 25-60mm 30-60mm 35-60mm 40-60mm 45-60mm	811-15 811-20 811-25 811-30 811-35 811-40 811-45	30 30 30 30 30 30 30	7101 7101 7101 7101 7101 7101 7101
	Clear Cut-to-fit Symmetrical	15-60mm	812-15	30	7101
	Opaque cut-to-fit	15-60mm 20-60mm 25-60mm 30-60mm 35-60mm 40-60mm 45-60mm	813-15 813-20 813-25 813-30 813-35 813-40 813-45	30 30 30 30 30 30 30	7101 7101 7101 7101 7101 7101 7101
	Clear cut-to-fit	15-60mm	814-15	30	7101
	<b>Dansac Nova 1 Drainable Infant.</b> One piece drainable ostomy pouch with flange opening				
	Clear cut-to-fit	0-40mm	818-00	30	6783
	cut-to-fit	10-40mm	818-10	30	6783
	<b>Dansac Nova 1 Drainable with EasiFold closure.</b> With Twin filter and water repellent soft covers				
	Symmetrical Opaque cut-to-fit	15-60mm 20-60mm 25-60mm 30-60mm 35-60mm 40-60mm 45-60mm	823-15 823-20 823-25 823-30 823-35 823-40 823-45	30 30 30 30 30 30 30	8195 8195 8195 8195 8195 8195 8195
	Clear cut-to-fit	15-60mm	824-15	30	8205
	<b>Dansac Nova 1 Mini EasiFold Drainable bag.</b> Twin filter and soft covers front and back. Plus Integrated Closure System.				
	Clear cut-to-fit	15-50mm	826-15	30	8190
	Opaque cut-to-fit	15-50mm	825-15	30	8190
	<b>Dansac Nova 1 Maxi EasiFold</b> Drainable bag, twin filter and soft covers front and back, plus integrated closure system				
	Opaque cut-to-fit	15-90mm	815-15	10	2740
	Clear cut-to-fit	15-90mm	816-15	10	2740

## STOMA APPLIANCES

## ILEOSTOMY (DRAINABLE) BAGS

Manufacturer	Appliance	Order No.	Quantity	List Price p
Dansac Ltd	<b>Dansac Nova 1 EasiFold X3 Drainable</b>			
	Clear			
	cut-to-fit 15-46mm	862-15	10	3874
	Opaque			
	cut-to-fit 15-46mm	861-15	10	3874
	pre-cut 18mm	861-18	10	3874
	20mm	861-20	10	3874
	23mm	861-23	10	3874
	25mm	861-25	10	3874
	28mm	861-28	10	3874
	30mm	861-30	10	3874
	32mm	861-32	10	3874
	35mm	861-35	10	3874
	<b>Unique</b>			
	Maxi Clear			
	cut-to-fit 10mm-90mm	324-10	10	2464
	Opaque starter hole	321-15	30	7014
	20mm	319-20	30	7014
	25mm	319-25	30	7014
	30mm	319-30	30	7014
	35mm	319-35	30	7014
	40mm	319-40	30	7014
	45mm	319-45	30	7014
	50mm	319-50	30	7014
	60mm	319-60	30	7014
	Clear starter hole	322-15	30	7014
	20mm	320-20	30	7014
	25mm	320-25	30	7014
	30mm	320-30	30	7014
	35mm	320-35	30	7014
	40mm	320-40	30	7014
	45mm	320-45	30	7014
	50mm	320-50	30	7014
	60mm	320-60	30	7014
	Mini opaque (reference capacity: 250ml (see Note 2, page 227))			
	cut-to-fit 15mm-50mm	315-15	30	6778
	pre-cut			
	20mm	315-20	30	6778
	25mm	315-25	30	6778
	30mm	315-30	30	6778
	35mm	315-35	30	6778
	Mini clear (reference capacity: 250ml (see Note 2, page 227))			
	cut-to-fit 15mm-50mm	316-15	30	6770
	Oval flange			
	Opaque starter hole	317-15	30	7014
	Clear starter hole	318-15	30	7014

IXC

## STOMA APPLIANCES

## ILEOSTOMY (DRAINABLE) BAGS

Manufacturer	Appliance	Order No.	Quantity	List Price p
DBT Medical (formerly Rusch UK)	<b>Birkbeck</b>			
	with Screwcap outlet			
	Black Rubber			
	Day Bag			
	19mm	LM 723225	1	2910
	38mm	LM 723230	1	2910
	54mm	LM 723235	1	2910
	Night Bag			
	19mm	LM 723275	1	3329
	38mm	LM 723280	1	3329
	54mm	LM 723295	1	3329
	Disposable Plastic Bag	LM 724000	100	1696
	Pink Rubber			
	Day Bag			
	19mm	LM 724225	1	2910
	38mm	LM 724230	1	2910
	54mm	LM 724235	1	2910
	Night Bag			
	19mm	LM 724275	1	3329
	38mm	LM 724280	1	3329
	54mm	LM 724295	1	3329
	<b>White Rubber</b>			
	with Screwcap outlet			
	Day Bag			
	38mm	LM 882111	1	1303
	44mm	LM 882112	1	1303
	51mm	LM 882113	1	1303
	with air vent			
	38mm	LM 882114	1	1559
	on body side			
	38mm	LM 882115	1	1407
	Child's			
	Day Bag			
19mm	LM 882101	1	1257	
25mm	LM 882102	1	1257	
28mm	LM 882103	1	1257	
Night Bag				
19mm	LM 882121	1	1537	
25mm	LM 882122	1	1537	
28mm	LM 882123	1	1537	
<b>Ostopore</b>				
Ileo Karaya adhesive and vent				
Opaque				
25mm	746025	30	6744	
32mm	746032	30	6744	
38mm	746038	30	6744	
Hollister Ltd	<b>Compact Drainable Pouch</b>			
Clear-with beige comfort backing on body-worn side				
cut-to-fit 13-64mm	3250	10	2545	
Beige-with beige comfort backing on both sides				
cut-to-fit 13-64mm	3251	10	2545	
25mm	3252	10	2545	
32mm	3258	10	2545	
38mm	3253	10	2545	
Mini-Drainable Pouch Beige-with beige comfort backing on both sides				
cut-to-fit 13-51mm	3241	10	2328	



## STOMA APPLIANCES

## ILEOSTOMY (DRAINABLE) BAGS

Manufacturer	Appliance	Order No.	Quantity	List Price p
Hollister Ltd	<b>Karaya 5 seal</b>			
	with microporous adhesive			
	229mm Length			
	32mm	3138	30	8536
	38mm	3133	30	8536
	44mm	3139	30	8536
	51mm	3134	30	8536
	30.5cm Length			
	Opaque			
	25mm	3112	30	8301
	32mm	3118	30	8301
	38mm	3113	30	8301
	44mm	3119	30	8301
	51mm	3114	30	8301
	64mm	3115	30	8301
	30.5cm Length			
	Transparent			
	25mm	3222	30	8536
	32mm	3228	30	8536
	38mm	3223	30	8536
	44mm	3229	30	8536
	51mm	3224	30	8536
	64mm	3225	30	8536
	76mm	3226	30	8536
	41cm Length			
	Transparent			
	32mm	3278	30	8536
	38mm	3273	30	8536
	44mm	3279	30	8536
	51mm	3274	30	8536
	64mm	3275	30	8536
	76mm	3276	30	8536
	with microporous adhesive and quiet film			
	Transparent			
	32mm	3608	15	4188
	38mm	3603	15	4188
	44mm	3609	15	4188
	51mm	3604	15	4188
	64mm	3605	15	4188
	76mm	3606	15	4188
	<b>Premium</b>			
	with integral filter holder and twenty replacement filters			
	25mm	3662	15	4568
	32mm	3668	15	4568
	38mm	3663	15	4568
	44mm	3669	15	4568
	51mm	3664	15	4568
	64mm	3665	15	4568
	<b>Impression with Convex wafer</b>			
	Transparent			
	19mm	3610	10	2750
	22mm	3611	10	2750
	25mm	3612	10	2750
	29mm	3613	10	2750
	32mm	3614	10	2750
	35mm	3615	10	2750
	38mm	3616	10	2750
	41mm	3617	10	2750
	44mm	3618	10	2750

IXC

## STOMA APPLIANCES

## ILEOSTOMY (DRAINABLE) BAGS

Manufacturer	Appliance	Order No.	Quantity	List Price p
Hollister Ltd	<b>Impression "C"</b> with convex wafer			
	Beige with beige Comfort backing on both sides			
	19mm	3260	10	2590
	22mm	3261	10	2590
	25mm	3262	10	2590
	29mm	3263	10	2590
	32mm	3264	10	2590
	35mm	3265	10	2590
	38mm	3266	10	2590
	41mm	3267	10	2590
	51mm	3269	10	2590
	Transparent with beige Comfort backing on body worn side			
	19mm	3280	10	2543
	22mm	3281	10	2543
	25mm	3282	10	2543
	29mm	3283	10	2543
	32mm	3284	10	2543
	35mm	3285	10	2543
	38mm	3286	10	2543
	41mm	3287	10	2543
	<b>Moderma - Flex</b>			
	Drainable Pouch with skin resting barrier, filter, transparent front. Anatomical shape.			
	Beige comfort backing on body worn side. starter hole			
	15-55mm	26500	30	7291
	Drainable Pouch with skin-resting barrier, filter. Anatomical shape.			
	Beige comfort backing on both sides. starter hole			
	15-55mm	26200	30	7291
	20mm	26220	30	7291
	25mm	26225	30	7291
	30mm	26230	30	7291
	35mm	26235	30	7291
	40mm	26240	30	7291
	Mini Drainable Pouch with skin resting barrier, filter.			
	Beige comfort backing on both sides. starter hole			
	15-55mm	26100	30	7291
	20mm	26120	30	7291
	25mm	26125	30	7291
	30mm	26130	30	7291
	35mm	26135	30	7291
	40mm	26140	30	7291
	<b>Moderma - Flex with Adapt conformable convex rings</b>			
	Drainable pouch, with integral filter. Lock and Roll closure system with flexible barrier plus Adapt conformable convex ring.			
	Midi - Beige with comfort backing on both sides, anatomical shape			
	cut-to-fit 20-29mm + 20mm ring	28620	20	9991
	30-39mm + 30mm ring	28630	20	9991
	40-49mm + 40mm ring	28640	20	9991
	Midi - Transparent with comfort backing on body side only, anatomical shape.			
	cut-to-fit 20-29mm + 20mm ring	28720	20	9991
	30-39mm + 30mm ring	28730	20	9991
	40-49mm + 40mm ring	28740	20	9991
	Maxi - Beige with comfort backing on both sides, symmetrical shape			
	cut-to-fit 20-29mm + 20mm ring	28820	20	9991
	30-39mm + 30mm ring	28830	20	9991
	40-49mm + 40mm ring	28840	20	9991
	Maxi - Transparent with comfort backing on body side only, symmetrical shape.			
	cut-to-fit 20-29mm + 20mm ring	28920	20	9991
	30-39mm + 30mm ring	28930	20	9991
	40-49mm + 40mm ring	28940	20	9991

## STOMA APPLIANCES

## ILEOSTOMY (DRAINABLE) BAGS

Manufacturer	Appliance	Order No.	Quantity	List Price p
Hollister Ltd	<b>Moderma Flex with Lock n Roll Closure</b>			
	Mini Drainable Pouch, symmetrical shape with integral filter and lock and roll closure system			
	Beige comfort backing on both sides			
	cut-to-fit 15-55mm	28100	30	7350
	20mm	28120	30	7350
	25mm	28125	30	7350
	30mm	28130	30	7350
	35mm	28135	30	7350
	40mm	28140	30	7350
	Drainable Pouch, anatomical shape, flexible barrier plus integral filter and Lock and Roll closure system.			
	Midi - Beige with comfort backing on both sides			
	cut-to-fit 15-55mm	28200	30	8179
	20mm	28220	30	8179
	25mm	28225	30	8179
	30mm	28230	30	8179
	35mm	28235	30	8179
	40mm	28240	30	8179
	Midi - Transparent with comfort backing on body side only			
	cut-to-fit 15-55mm	28500	30	8179
	Drainable Pouch, symmetrical shape, flexible barrier plus integral filter and Lock and Roll closure system			
	Maxi - Beige with comfort backing on both sides			
	cut-to-fit 15-55mm	28300	30	8330
	20mm	28320	30	8330
	25mm	28325	30	8330
	30mm	28330	30	8330
	35mm	28335	30	8330
	40mm	28340	30	8330
	Maxi - Transparent with comfort backing on body side only			
	cut-to-fit 15-55mm	28400	30	8330
	<b>Moderma Flex Convex</b>			
	Drainable pouch with integral convexity, symmetrical shape, integral filter and Lock 'n' Roll closure system			
	Maxi - Beige with comfort backing on both sides			
	cut-to-fit 15-38mm	26800	30	10950
	15-51mm	26801	30	10950
	pre-cut 20mm	26820	30	10950
	25mm	26825	30	10950
	30mm	26830	30	10950
	35mm	26835	30	10950
	Maxi - Transparent with comfort backing on body worn side			
	cut-to-fit 15-38mm	26900	30	10950
	15-51mm	26901	30	10950
	pre-cut 20mm	26920	30	10950
	25mm	26925	30	10950
	30mm	26930	30	10950
	35mm	26935	30	10950

IXC

## STOMA APPLIANCES

## ILEOSTOMY (DRAINABLE) BAGS

Manufacturer	Appliance	Order No.	Quantity	List Price p	
Jade-Euro-Med Ltd	<b>Black Butyl</b>				
	Spout outlet				
	Day Bag	KM 42	1	3322	
	Night Bag	KM 43	1	3322	
	<b>White Rubber</b>				
	Spout outlet				
	Day Bag	KM 48	1	1571	
	Night Bag	KM 49	1	1571	
Marlen USA	<b>Ultra Small Bag</b>				
	Transparent starter hole	561312	15	3339	
	Opaque starter hole	501312	15	3339	
	12mm	501412	15	3339	
	16mm	501416	15	3339	
	19mm	501419	15	3339	
	22mm	501422	15	3339	
	25mm	501425	15	3339	
	29mm	501429	15	3339	
	32mm	501432	15	3339	
	34mm	501434	15	3339	
	38mm	501438	15	3339	
	41mm	501441	15	3339	
	44mm	501444	15	3339	
	48mm	501448	15	3339	
	50mm	501450	15	3339	
	54mm	501454	15	3339	
	57mm	501457	15	3339	
	60mm	501460	15	3339	
	63mm	501463	15	3339	
	67mm	501467	15	3339	
	70mm	501470	15	3339	
	73mm	501473	15	3339	
	76mm	501476	15	3339	
		<b>Large Bag</b>			
		Transparent starter hole	562312	15	3339
		Opaque starter hole	502312	15	3339
		12mm	502412	15	3339
		16mm	502416	15	3339
		19mm	502419	15	3339
		22mm	502422	15	3339
		25mm	502425	15	3339
		29mm	502429	15	3339
		32mm	502432	15	3339
		34mm	502434	15	3339
		38mm	502438	15	3339
	41mm	502441	15	3339	
	44mm	502444	15	3339	
	48mm	502448	15	3339	
	50mm	502450	15	3339	
	54mm	502454	15	3339	
	57mm	502457	15	3339	
	60mm	502460	15	3339	
	63mm	502463	15	3339	
	67mm	502467	15	3339	
	70mm	502470	15	3339	
	73mm	502473	15	3339	
	76mm	502476	15	3339	

## STOMA APPLIANCES

## ILEOSTOMY (DRAINABLE) BAGS

Manufacturer	Appliance	Order No.	Quantity	List Price p
Marlen USA	<b>Ultra</b>			
	Small Bag with Convex Flange			
	Opaque 12mm	501512	15	3417
	16mm	501516	15	3417
	19mm	501519	15	3417
	22mm	501522	15	3417
	25mm	501525	15	3417
	29mm	501529	15	3417
	32mm	501532	15	3417
	34mm	501534	15	3417
	38mm	501538	15	3417
	41mm	501541	15	3417
	44mm	501544	15	3417
	48mm	501548	15	3417
	50mm	501550	15	3417
	54mm	501554	15	3417
	57mm	501557	15	3417
	60mm	501560	15	3417
	63mm	501563	15	3417
	67mm	501567	15	3417
	70mm	501570	15	3417
	73mm	501573	15	3417
	76mm	501576	15	3417
	Large Bag with Convex Flange			
	Opaque 12mm	502512	15	3417
	16mm	502516	15	3417
	19mm	502519	15	3417
	22mm	502522	15	3417
	25mm	502525	15	3417
	29mm	502529	15	3417
	32mm	502532	15	3417
	34mm	502534	15	3417
	38mm	502538	15	3417
	41mm	502541	15	3417
	44mm	502544	15	3417
	48mm	502548	15	3417
	50mm	502550	15	3417
	54mm	502554	15	3417
	57mm	502557	15	3417
	60mm	502560	15	3417
	63mm	502563	15	3417
	67mm	502567	15	3417
	70mm	502570	15	3417
	73mm	502573	15	3417
	76mm	502576	15	3417

IXC

## STOMA APPLIANCES

## ILEOSTOMY (DRAINABLE) BAGS

Manufacturer	Appliance	Order No.	Quantity	List Price p
Marlen USA	<b>UltraMax</b>			
	Opaque			
	Flat starter hole	53400	30	6900
	12mm	53412	30	6900
	16mm	53416	30	6900
	19mm	53419	30	6900
	22mm	53422	30	6900
	25mm	53425	30	6900
	29mm	53429	30	6900
	32mm	53432	30	6900
	34mm	53434	30	6900
	38mm	53438	30	6900
	41mm	53441	30	6900
	44mm	53444	30	6900
	50mm	53450	30	6900
	55mm	53455	30	6900
	Convex starter hole	53500	10	2576
	12mm	53512	10	2576
	16mm	53516	10	2576
	19mm	53519	10	2576
	22mm	53522	10	2576
	25mm	53525	10	2576
	29mm	53529	10	2576
	32mm	53532	10	2576
	34mm	53534	10	2576
	38mm	53538	10	2576
	41mm	53541	10	2576
	44mm	53544	10	2576
	50mm	53550	10	2576
	55mm	53555	10	2576
	Transparent			
	Flat starter hole	52400	30	6900
	12mm	52412	30	6900
	16mm	52416	30	6900
	19mm	52419	30	6900
	22mm	52422	30	6900
	25mm	52425	30	6900
	29mm	52429	30	6900
	32mm	52432	30	6900
	34mm	52434	30	6900
	38mm	52438	30	6900
	41mm	52441	30	6900
	44mm	52444	30	6900
	50mm	52450	30	6900
	55mm	52455	30	6900

## STOMA APPLIANCES

## ILEOSTOMY (DRAINABLE) BAGS

Manufacturer	Appliance	Order No.	Quantity	List Price p	
Marlen USA	Convex starter hole	52500	10	2576	
	12mm	52512	10	2576	
	16mm	52516	10	2576	
	19mm	52519	10	2576	
	22mm	52522	10	2576	
	25mm	52525	10	2576	
	29mm	52529	10	2576	
	32mm	52532	10	2576	
	34mm	52534	10	2576	
	38mm	52538	10	2576	
	41mm	52541	10	2576	
	44mm	52544	10	2576	
	50mm	52550	10	2576	
	55mm	52555	10	2576	
Mentor Medical Ltd	<b>Adhesive Stoma Bag</b>				
	19mm	32-250-89	60	10443	
	25mm	32-251-86	60	10443	
	32mm	32-252-83	60	10443	
	38mm	32-253-80	60	10443	
	51mm	32-254-88	60	10443	
	<b>Cavendish</b>				
	Clear PVC Bag	25mm	WD650-25-R	10	3540
		32mm	WD650-32-N	10	3540
		38mm	WD650-38-B	10	3540
	Plastic Bag	25mm	WC010-25-X	10	3519
		32mm	WC010-32-U	10	3519
		38mm	WC010-38-H	10	3519
	with adhesive flange	25mm	WC013-25-L	10	4238
		32mm	WC013-32-H	10	4238
		38mm	WC013-38-V	10	4238
	<b>Chiron</b>				
	Black Butyl Screw Cap Outlet				
	Day Bag	38mm	WF005-38-W	1	3660
		44mm	WF005-44-R	1	3660
		51mm	WF005-51-N	1	3660
	Night Bag	38mm	WF025-38-H	1	4393
		44mm	WF025-44-C	1	4393
	Latex Rubber Screw cap outlet				
Day Bag	38mm	WF003-38-N	1	1860	
Night Bag	38mm	WF023-38-Y	1	2461	
White Rubber Screw cap outlet					
Day Bag	38mm	WF001-38-E	1	2108	
	44mm	WF001-44-Y	1	2108	
	51mm	WF001-51-V	1	2108	
Night Bag	38mm	WF021-38-Q	1	2461	
Screw cap outlet on body side					
Day Bag	38mm	WF002-38-J	1	2108	
Night Bag	38mm	WF031-01-V	1	2014	
Children's Bag	38mm	WF011-38-K	1	1663	

IXC

## STOMA APPLIANCES

## ILEOSTOMY (DRAINABLE) BAGS

Manufacturer	Appliance	Order No.	Quantity	List Price p
Mentor Medical Ltd	<b>EC1 Range</b>			
	10-64mm	32-331-62	30	8038
	19mm	32-331-03	30	8038
	25mm	32-331-11	30	8038
	32mm	32-331-38	30	8038
	38mm	32-331-46	30	8038
	44mm	32-331-54	30	8038
	Mini (Clear)	32-333-08	30	8038
	Mini (Opaque)	32-333-16	30	8038
	Post Op			
	Large outline 10-90mm	32-338-12	30	11731
	Small outline 10-64mm	32-338-04	30	8290
	<b>Mirage Drainable Pouches</b>			
	Beige			
	starter hole 19-44mm	32-520-10	30	6958
	starter hole 19-64mm	32-520-15	30	6958
	25mm	32-520-25	30	6958
	32mm	32-520-32	30	6958
	38mm	32-520-38	30	6958
	44mm	32-520-44	30	6958
	51mm	32-520-51	30	6958
	Large Outline cut 19-90mm			
		32-520-90	10	2424
	Clear			
	starter hole 19-44mm	32-525-10	30	6958
	starter hole 19-64mm	32-525-15	30	6958
	25mm	32-525-25	30	6958
	32mm	32-525-32	30	6958
	38mm	32-525-38	30	6958
	44mm	32-525-44	30	6958
	51mm	32-525-51	30	6958
	Large Outline cut 19-90mm			
		32-525-90	10	2423
	<b>Omni-1-Piece</b>			
	with flatus filter and 20 replacement filters			
	Beige			
	starter hole 10-44mm	32-299-55	20	5354
	25mm	32-299-12	20	5354
	32mm	32-299-20	20	5354
	38mm	32-299-39	20	5354
	44mm	32-299-47	20	5354
	Clear			
	starter hole 10-44mm	32-318-79	20	5354
	<b>Redifit with Karaya</b>			
	Clear Medium			
	25mm	WA027-25-T	20	7862
	44mm	WA027-44-X	20	7862
	Opaque Medium			
	25mm	WA018-25-S	20	7862
	32mm	WA018-32-P	20	7862
	38mm	WA018-38-C	20	7862
	44mm	WA018-44-W	20	7862
	51mm	WA018-51-T	20	7862
	64mm	WA018-64-D	20	7862
	Small			
	25mm	WA020-25-N	20	7862
	32mm	WA020-32-K	20	7862
	38mm	WA020-38-X	20	7862



## STOMA APPLIANCES

## ILEOSTOMY (DRAINABLE) BAGS

Manufacturer	Appliance	Order No.	Quantity	List Price p
Oakmed Ltd	<b>Option - Mini Ileostomy with Soft Covering to one side cut-to-fit 10mm-50mm</b>			
	Clear	2410K	30	5864
	Opaque	2510K	30	5864
	<b>Option - Ileostomy with Soft Covering to one side</b>			
	Clear			
	starter hole 20mm	2020K	30	6262
	25mm	2025K	30	6262
	30mm	2030K	30	6262
	35mm	2035K	30	6262
	40mm	2040K	30	6262
	45mm	2045K	30	6262
	50mm	2050K	30	6262
	55mm	2055K	30	6262
	60mm	2060K	30	6262
	Opaque			
	starter hole 20mm	2120K	30	6262
	25mm	2125K	30	6262
	30mm	2130K	30	6262
	35mm	2135K	30	6262
	40mm	2140K	30	6262
	45mm	2145K	30	6262
	50mm	2150K	30	6262
	55mm	2155K	30	6262
	60mm	2160K	30	6262
	<b>Option - Ileostomy Alginate with Velcro Fastening</b>			
	Opaque			
	starter hole 20mm	AV-4120K	30	8447
	25mm	AV-4125K	30	8447
	30mm	AV-4130K	30	8447
	35mm	AV-4135K	30	8447
	40mm	AV-4140K	30	8447
	45mm	AV-4145K	30	8447
	50mm	AV-4150K	30	8447
	55mm	AV-4155K	30	8447
	60mm	AV-4160K	30	8447
	<b>Option - Ileostomy Midi with Filter and Soft Covering to one side</b>			
	Clear			
	starter hole 20mm	3220k	30	6219
	25mm	3225k	30	6219
	30mm	3230k	30	6219
	35mm	3235k	30	6219
	40mm	3240k	30	6219
	45mm	3245k	30	6219
	50mm	3250k	30	6219
	55mm	3255k	30	6219
	60mm	3260k	30	6219
	Opaque			
	starter hole 20mm	3320k	30	6219
	25mm	3325k	30	6219
	30mm	3330k	30	6219
	35mm	3335k	30	6219
	40mm	3340k	30	6219
	45mm	3345k	30	6219
	50mm	3350k	30	6219
	55mm	3355k	30	6219
	60mm	3360k	30	6219

IXC

## STOMA APPLIANCES

## ILEOSTOMY (DRAINABLE) BAGS

Manufacturer	Appliance	Order No.	Quantity	List Price p
Oakmed Ltd	<b>Option - Ileostomy with Filter and Soft Covering to one side</b>			
	Clear			
	starter hole 20mm	3020k	30	6576
	25mm	3025k	30	6576
	30mm	3030k	30	6576
	35mm	3035k	30	6576
	40mm	3040k	30	6576
	45mm	3045k	30	6576
	50mm	3050k	30	6576
	55mm	3055k	30	6576
	60mm	3060k	30	6576
	Opaque			
	starter hole 20mm	3120k	30	6576
	25mm	3125k	30	6576
	30mm	3130k	30	6576
	35mm	3135k	30	6576
	40mm	3140k	30	6576
	45mm	3145k	30	6576
	50mm	3150k	30	6576
	55mm	3155k	30	6576
	60mm	3160k	30	6576
	<b>Option - Mini Ileostomy with Soft Cover to Both Sides</b>			
	Opaque			
	starter hole cut-to-fit 10mm-50mm	2610K	30	6075
	<b>Option - Ileostomy Midi with Filter and Soft Covering to both sides</b>			
	Opaque			
	starter hole 20mm	4320k	30	6520
	25mm	4325k	30	6520
	30mm	4330k	30	6520
	35mm	4335k	30	6520
	40mm	4340k	30	6520
	45mm	4345k	30	6520
	50mm	4350k	30	6520
	55mm	4355k	30	6520
	60mm	4360k	30	6520
	<b>Option - Ileostomy with Filter and Soft Covering to both sides</b>			
	Opaque			
	starter hole 20mm	4120k	30	6868
	25mm	4125k	30	6868
	30mm	4130k	30	6868
	35mm	4135k	30	6868
	40mm	4140k	30	6868
	45mm	4145k	30	6868
	50mm	4150k	30	6868
	55mm	4155k	30	6868
	60mm	4160k	30	6868

## STOMA APPLIANCES

## ILEOSTOMY (DRAINABLE) BAGS

Manufacturer	Appliance	Order No.	Quantity	List Price p
Oakmed Ltd	<b>Option - Ileostomy Microskin with Velcro Fastening</b>			
	Opaque			
	starter hole			
	20mm	MV-4120K	30	8447
	25mm	MV-4125K	30	8447
	30mm	MV-4130K	30	8447
	35mm	MV-4135K	30	8447
	40mm	MV-4140K	30	8447
	45mm	MV-4145K	30	8447
	50mm	MV-4150K	30	8447
	55mm	MV-4155K	30	8447
	60mm	MV-4160K	30	8447
	<b>Option - Ileostomy with Velcro Fastening</b>			
	Opaque			
	starter hole			
	20mm	V-4120K	30	8447
	25mm	V-4125K	30	8447
	30mm	V-4130K	30	8447
	35mm	V-4135K	30	8447
	40mm	V-4140K	30	8447
	45mm	V-4145K	30	8447
	50mm	V-4150K	30	8447
	55mm	V-4155K	30	8447
	60mm	V-4160K	30	8447
	<b>Option - Ileostomy microskin with window, Filter and Soft Covering to both sides</b>			
	Opaque			
	starter hole			
	20mm	M-4120K	30	8103
	25mm	M-4125K	30	8103
	30mm	M-4130K	30	8103
	35mm	M-4135K	30	8103
	40mm	M-4140K	30	8103
	45mm	M-4145K	30	8103
	50mm	M-4150K	30	8103
	55mm	M-4155K	30	8103
	60mm	M-4160K	30	8103
	<b>Option - Ileostomy Midi Microskin</b>			
	Opaque			
	starter hole			
	20mm	M-4320K	30	7818
	25mm	M-4325K	30	7818
	30mm	M-4330K	30	7818
	35mm	M-4335K	30	7818
	40mm	M-4340K	30	7818
	45mm	M-4345K	30	7818
	50mm	M-4350K	30	7818
	55mm	M-4355K	30	7818
	60mm	M-4360K	30	7818
	<b>Option - Ileo Microskin Mini</b>			
	Opaque			
	cut-to-fit 13mm-50mm	M-2610K	30	7008
	<b>Option Ileo Oval - Ileostomy pouch with filter and soft covering to one side, MacKintosh liners</b>			
	Clear			
	cut-to-fit			
	20mm-80mm	6020k	20	6820

IXC

## STOMA APPLIANCES

## ILEOSTOMY (DRAINABLE) BAGS

Manufacturer	Appliance	Order No.	Quantity	List Price p
Omex Medical Ltd	Schacht	470511	50	2100
Pelican Healthcare Ltd	<b>Pelican Pouch</b> - with Skin Protector, Adhesive, Comfort Backing, Paediatric/Neonatal Pouch 7mm-40mm	120705	30	7379
	<b>Pelican Select</b> Drainable Pouch with skin protector, fabric both sides			
	Clear cut-to-fit 20mm-65mm	110620	30	7202
	Opaque cut-to-fit 20mm-65mm	110720	30	7202
	<b>Pelican Select</b> Paediatric Pouch - with skin protector, plain fabric both sides			
	Clear cut-to-fit 10mm-50mm	101600	30	6442
	Opaque cut-to-fit 10mm-50mm	101602	30	6442
	Paediatric Pouch - with skin protector, fabric both sides with printed motif			
	Clear cut-to-fit 10mm-50mm	101601	30	6442
	Opaque cut-to-fit 10mm-50mm	101603	30	6442
	Paediatric Pouch - with filter, skin protector, fabric both sides with printed motif			
	Clear cut-to-fit 10mm-50mm	101608	30	6760
	Neonatal Pouch - Plain split fabric front and back			
	Clear cut-to-fit 10mm-50mm	101604	30	6224
	Neonatal Pouch - Split fabric front and back with printed motif			
	Clear cut-to-fit 10mm-50mm	101605	30	6224
	<b>Pelican Select Drainable DuoVent</b> - with two filters, easy access outlet, skin protector, fabric both sides			
	Clear - Standard cut-to-fit 15mm-65mm	110215	30	7097
	Opaque - Standard cut-to-fit 15-65mm	110315	30	7097
	Clear - Mini cut-to-fit 15-65mm	111200	30	6878
	Opaque - Mini cut-to-fit 15-65mm	111215	30	6878

## STOMA APPLIANCES

## ILEOSTOMY (DRAINABLE) BAGS

Manufacturer	Appliance	Order No.	Quantity	List Price p	
Pelican Healthcare Ltd	<b>Pelican Select Afresh - Drainable Pouch with Clipless System &amp; Integral Filter</b>				
	Opaque Maxi pre-cut				
	20mm	112520	30	7773	
	25mm	112525	30	7773	
	27.5mm	112527	30	7773	
	30mm	112530	30	7773	
	32.5mm	112532	30	7773	
	35mm	112535	30	7773	
	37.5mm	112537	30	7773	
	40mm	112540	30	7773	
	45mm	112545	30	7773	
	50mm	112550	30	7773	
	55mm	112555	30	7773	
	Clear Maxi pre-cut				
	20mm	112620	30	7773	
	25mm	112625	30	7773	
	27.5mm	112627	30	7773	
	30mm	112630	30	7819	
	32.5mm	112632	30	7773	
	35mm	112635	30	7773	
	37.5mm	112637	30	7773	
	40mm	112640	30	7773	
	45mm	112645	30	7773	
	50mm	112650	30	7773	
	55mm	112655	30	7773	
	<b>Pelican Select Afresh - Drainable Pouch with filter</b>				
	Opaque Maxi cut-to-fit	15-65mm	112515	30	7773
	Clear Maxi cut-to-fit	15-65mm	112615	30	7773
	Opaque Standard cut-to-fit	15-65mm	112115	30	7773
	pre-cut	20mm	112120	30	7773
		25mm	112125	30	7773
		27.5mm	112127	30	7773
		30mm	112130	30	7773
		32.5mm	112132	30	7773
		35mm	112135	30	7773
		37.5mm	112137	30	7773
		40mm	112140	30	7773
	45mm	112145	30	7773	
	50mm	112150	30	7773	
	55mm	112155	30	7773	

IXC

## STOMA APPLIANCES

## ILEOSTOMY (DRAINABLE) BAGS

Manufacturer	Appliance	Order No.	Quantity	List Price p	
Pelican Healthcare Ltd	<b>Pelican Select Afresh - Drainable Pouch with filter</b>				
	Clear Standard				
	cut-to-fit	15-65mm	112215	30 7773	
	pre-cut	20mm	112220	30 7773	
		25mm	112225	30 7773	
		27.5mm	112227	30 7773	
		30mm	112230	30 7773	
		32.5mm	112232	30 7773	
		35mm	112235	30 7773	
		37.5mm	112237	30 7773	
		40mm	112240	30 7773	
		45mm	112245	30 7773	
		50mm	112250	30 7773	
		55mm	112255	30 7773	
		Opaque Mini			
	cut-to-fit	15-65mm	112315	30 7773	
	pre-cut	20mm	112320	30 7773	
		25mm	112325	30 7773	
		27.5mm	112327	30 7773	
		30mm	112330	30 7773	
		32.5mm	112332	30 7773	
		35mm	112335	30 7773	
		37.5mm	112337	30 7773	
		40mm	112340	30 7773	
		45mm	112345	30 7773	
		50mm	112350	30 7773	
		55mm	112355	30 7773	
		Clear Mini			
	cut-to-fit	15-65mm	112415	30 7773	
		<b>Pelican Select Afresh</b>			
		Paediatric Pouch-with filter, skin protector, fabric, printed motif and clipless outlet			
		Clear			
	cut-to-fit	10-50mm	112701	30 7861	
	Paediatric Pouch-with filter, skin protector, fabric and clipless outlet				
	Opaque				
cut-to-fit	10-50mm	112702	30 7861		
	Neonatal Pouch-with filter, skin protector, fabric, printed motif and clipless outlet				
	Clear				
cut-to-fit	0-40mm	112703	30 7861		
	Neonatal Pouch-with filter, skin protector, fabric and clipless outlet				
	Opaque				
cut-to-fit	0-40mm	112704	30 7861		

## STOMA APPLIANCES

## ILEOSTOMY (DRAINABLE) BAGS

Manufacturer	Appliance	Order No.	Quantity	List Price p
Pelican Healthcare Ltd	<b>Pelican Select Drainable Convex Pouch</b> - integral convexity with filter, split fabric backing and clipless outlet			
	Opaque - Standard			
	cut-to-fit 12-40mm	113312	10	3946
	20mm	113320	10	3946
	22.5mm	113322	10	3946
	25mm	113325	10	3946
	27.5mm	113327	10	3946
	30mm	113330	10	3946
	32.5mm	113332	10	3946
	35mm	113335	10	3946
	37.5mm	113337	10	3946
	40mm	113340	10	3946
	Clear - Standard			
	cut-to-fit 12-40mm	113412	10	3946
	20mm	113420	10	3946
	22.5mm	113422	10	3946
	25mm	113425	10	3946
	27.5mm	113427	10	3946
	30mm	113430	10	3946
	32.5mm	113432	10	3946
	35mm	113435	10	3946
	37.5mm	113437	10	3946
	40mm	113440	10	3946
	Opaque - Maxi			
	cut-to-fit 12-40mm	113512	10	3946
	20mm	113520	10	3946
	22.5mm	113522	10	3946
	25mm	113525	10	3946
	27.5mm	113527	10	3946
	30mm	113530	10	3946
	32.5mm	113532	10	3946
	35mm	113535	10	3946
	37.5mm	113537	10	3946
	40mm	113540	10	3946
	Opaque - Mini			
	cut-to-fit 12-40mm	113112	10	3946
	Clear - Mini			
	cut-to-fit 12-40mm	113212	10	3946
	Clear - Maxi			
	cut-to-fit 12-40mm	113612	10	3946

IXC

Rusch UK see DBT Medical Ltd

## STOMA APPLIANCES

## ILEOSTOMY (DRAINABLE) BAGS

Manufacturer	Appliance	Order No.	Quantity	List Price p
Safts Healthcare	<b>Conflex</b>			
	Drainable			
	starter hole 10-60mm			
	Flesh/Flesh	514410	30	7272 △
	Flesh/Clear	514420	30	7272 △
	pre-cut			
	Flesh/Flesh			
	25mm	514425	30	7272 △
	30mm	514430	30	7272 △
	35mm	514435	30	7272 △
	40mm	514440	30	7272 △
	45mm	514445	30	7272 △
	Paediatric			
	10mm starter	632310	30	6444 △
	Paediatric (Flesh)			
	10mm starter	632410	30	6439 △
	<b>Confidence Drainable</b> pouches			
	Small			
	starter hole			
	13mm	DS13	30	5307 △
	pre-cut			
	25mm	DS25	30	5307 △
	32mm	DS32	30	5307 △
	<b>Confidence</b>			
	Drainable pouches - transparent/overlap film			
	Standard starter hole			
	13mm	DT13	30	6370 △
	Drainable pouches - transparent/no overlap			
	Standard starter hole			
	13mm	DTT13	30	6370 △
	Drainable pouches - transparent /overlap film			
	Large starter hole			
	13mm	DLT13	30	6652 △
	Drainable pouches - transparent/no overlap			
	Large starter hole			
	13mm	DLTT13	30	6652 △
	Drainable pouch - transparent/overlap film			
	pre-cut			
	25mm	DT25	30	6758 △
	32mm	DT32	30	6758 △
	38mm	DT38	30	6758 △
	45mm	DT45	30	6758 △
	52mm	DT52	30	6758 △
	<b>Confidence Comfort Drainable</b>			
	Drainable pouches with an easy clean integral closure. Hypoallergenic hydrocolloid, integral filter and soft beige cover.			
	Large Opaque starter hole			
	13-65mm	CFDL13	30	8450
	Large Transparent starter hole			
	13-70mm	CFDLT13	30	8450
	Standard Opaque starter hole			
	13-65mm	CFD13	30	8450
	pre-cut			
	25mm	CFD25	30	8450
	32mm	CFD32	30	8450
	35mm	CFD35	30	8450
	38mm	CFD38	30	8450
	45mm	CFD45	30	8450
	Standard Transparent/overlap starter hole			
	13-65mm	CFDT13	30	8450
	Small Opaque starter hole			
	13-65mm	CFDS13	30	8450



## STOMA APPLIANCES

## ILEOSTOMY (DRAINABLE) BAGS

Manufacturer	Appliance	Order No.	Quantity	List Price	p	
Salts Healthcare	<b>Confidence Gold</b>					
	with hypoallergenic hydrocolloid and soft beige comfort backing on both sides					
	Drainable Pouches					
		Opaque starter hole				
		13mm	DNW13	30	6538	△
		pre-cut				
		25mm	DNW25	30	6538	△
		32mm	DNW32	30	6538	△
		Small Drainable Pouches				
		starter hole				
		13mm	DSNW13	30	5216	△
		<b>Confidence Gold</b>				
		Drainable Pouches - Transparent Film/Beige				
		Overlap Comfort Backing				
		Standard				
		starter hole				
		13mm	DTNW13	30	6260	△
		pre-cut				
		25mm	DTNW25	30	6642	△
		32mm	DTNW32	30	6642	△
		Large starter hole				
		13mm	DLTNW13	30	6538	△
		<b>Confidence Gold Soft and Secure</b>				
		Drainable pouches with an easy clean, soft and secure integral closure.				
		Hypoallergenic hydrocolloid, transparent overlap, beige comfort backing on both sides, filter				
		Standard				
		starter hole				
		13mm	SST13	30	8337	△
		pre-cut				
		25mm	SST25	30	8337	△
		32mm	SST32	30	8337	△
		35mm	SST35	30	8337	△
		38mm	SST38	30	8337	△
	45mm	SST45	30	8337	△	
	52mm	SST52	30	8337	△	
	<b>Confidence Gold Convex</b>					
	1 Piece integral convexity with hypoallergenic hydrocolloid and soft beige comfort backing on both sides, filter.					
	Important: This product with integral convexity should only be used after assessment by a medical professional.					
	Drainable Pouches					
	Transparent film/beige overlap comfort backing					
	Standard					
	starter hole					
	13-25mm	CD13-25	10	2694	△	
	13-38mm	CD13-38	10	2694	△	
	13-52mm	CD13-52	10	2694	△	
	pre-cut					
	21mm	CD21	10	2694	△	
	25mm	CD25	10	2694	△	
	28mm	CD28	10	2694	△	
	32mm	CD32	10	2694	△	
	35mm	CD35	10	2694	△	
	38mm	CD38	10	2694	△	
	41mm	CD41	10	2694	△	
	45mm	CD45	10	2694	△	

IXC

## STOMA APPLIANCES

## ILEOSTOMY (DRAINABLE) BAGS

Manufacturer	Appliance	Order No.	Quantity	List Price p
Salts Healthcare	<b>Confidence Gold Convex Soft and Secure</b>			
	Drainable pouches with 1 piece integral Convexity with an easy clean soft and secure closure. Hypoallergenic Hydrocolloid, transparent overlap, soft beige comfort backing on both sides, filter. Important: This product with integral convexity should only be used after assessment by a medical professional.			
	Standard starter hole			
	13-25mm	SSCT1325	10	4017 △
	13-38mm	SSCT1338	10	4017 △
	13-52mm	SSCT1352	10	4017 △
	pre-cut			
	21mm	SSCT21	10	4017 △
	25mm	SSCT25	10	4017 △
	28mm	SSCT28	10	4017 △
	32mm	SSCT32	10	4017 △
	35mm	SSCT35	10	4017 △
	38mm	SSCT38	10	4017 △
	41mm	SSCT41	10	4017 △
	45mm	SSCT45	10	4017 △
	<b>Confidence Gold with Filter</b>			
	With hypoallergenic hydrocolloid and soft beige comfort backing on both sides, filter			
	Drainable Pouches - Opaque			
	starter hole			
	13mm	GDF13	30	6759 △
	pre-cut			
	25mm	GDF25	30	6759 △
	32mm	GDF32	30	6759 △
	35mm	GDF35	30	6759 △
	38mm	GDF38	30	6759 △
	45mm	GDF45	30	6759 △
	Small starter hole			
	13mm	GDSF13	30	6759 △
	Drainable Pouches - Transparent Film/Beige, Overlap comfort backing			
	Standard starter hole			
	13mm	GDTF13	30	6759 △
	<b>Eakin</b>			
	Clear			
	Large			
	32mm	839120	20	5787 △
	45mm	839121	20	5787 △
	64mm	839122	20	5787 △
	Small			
	32mm	839110	20	5787 △
	45mm	839111	20	5787 △
	64mm	839112	20	5787 △
	<b>Eakin Fistula</b>			
	Infant	839210	10	4241 △
Small	839211	10	6020 △	
Medium	839212	10	7787 △	
Large	839213	10	14317 △	
Large (Open)	839214	10	14317 △	
Wide 90mm opening	839230	20	11901 △	
with remote drainage				
Infant	839220	10	4241 △	
Small	839221	10	6020 △	
Medium	839222	10	7787 △	
Large	839223	10	14317 △	
Large (Open)	839224	10	14317 △	
Large (Vertical)	839225	10	14317 △	

## STOMA APPLIANCES

## ILEOSTOMY (DRAINABLE) BAGS

Manufacturer	Appliance	Order No.	Quantity	List Price p
Salts Healthcare	<b>Koenig Rutzen</b> All Rubber Black Screw Outlet			
	Large			
	25mm	161125	1	3578 △
	29mm	161129	1	3578 △
	32mm	161132	1	3578 △
	35mm	161135	1	3578 △
	38mm	161138	1	3578 △
	44mm	161144	1	3578 △
	51mm	161151	1	3578 △
	Small			
	25mm	161225	1	3578 △
	32mm	161232	1	3578 △
	38mm	161238	1	3578 △
	Special	161099	1	3717 △
	Spout Outlet			
	Large			
	25mm	171125	1	2676 △
	29mm	171129	1	2676 △
	32mm	171132	1	2676 △
	38mm	171138	1	2676 △
	44mm	171144	1	2676 △
	51mm	171151	1	2676 △
	Small			
	25mm	171225	1	2676 △
	32mm	171232	1	2676 △
	38mm	171238	1	2676 △
	Special	171099	1	2775 △
	<b>Koenig Rutzen</b> with metal bridge, screw outlet			
	Large			
	25mm	165125	1	4801 △
	32mm	165132	1	4801 △
	38mm	165138	1	4801 △
	44mm	165144	1	4801 △
	Small			
	25mm	165225	1	4756 △
	32mm	165232	1	4756 △
	38mm	165238	1	4756 △
	Special	165099	1	4986 △
	with metal bridge, spout outlet			
	Large			
	32mm	175132	1	3467 △
	38mm	175138	1	3467 △
	with reinforced rubber plate, black, screw outlet			
	Large			
	25mm	163125	1	4801 △
	32mm	163132	1	4801 △
	38mm	163138	1	4801 △
	Small			
	25mm	163225	1	4801 △
	32mm	163232	1	4801 △
	Special	163099	1	4829 △

IXC

## STOMA APPLIANCES

## ILEOSTOMY (DRAINABLE) BAGS

Manufacturer	Appliance	Order No.	Quantity	List Price p
Salts Healthcare	<b>Koenig Rutzen</b> with reinforced rubber plate, black, spout outlet			
	Large			
	25mm	173125	1	3597 △
	32mm	173132	1	3597 △
	38mm	173138	1	3597 △
	Small			
	25mm	173225	1	3597 △
	32mm	173232	1	3597 △
	38mm	173238	1	3597 △
	with plate and metal bridge, screw outlet			
	Large			
	25mm	168125	1	5595 △
	32mm	168132	1	5595 △
	38mm	168138	1	5595 △
	44mm	168144	1	5595 △
	51mm	168151	1	5595 △
	Small			
	25mm	168225	1	5595 △
	32mm	168232	1	5595 △
	38mm	168238	1	5595 △
	Special	168099	1	5809 △
	Spout Outlet			
	Large			
	32mm	178132	1	4430 △
	38mm	178138	1	4430 △
	<b>Light White</b>			
	Opaque			
	Large			
	25mm	273125	30	5704 △
	32mm	273132	30	5704 △
	38mm	273138	30	5704 △
	Medium			
	25mm	273325	30	5704 △
	32mm	273332	30	5704 △
	38mm	273338	30	5704 △
	Small			
	25mm	273225	30	5704 △
	32mm	273232	30	5704 △
	Adhesive Bag			
	Opaque			
	Large			
	25mm	274125	30	6456 △
	32mm	274132	30	6456 △
	38mm	274138	30	6456 △
	44mm	274144	30	6456 △
	Medium			
	25mm	274325	30	6456 △
	32mm	274332	30	6456 △
	38mm	274338	30	6456 △
	Small			
	25mm	274225	30	6456 △
	32mm	274232	30	6456 △
	38mm	274238	30	6456 △

## STOMA APPLIANCES

## ILEOSTOMY (DRAINABLE) BAGS

Manufacturer	Appliance	Order No.	Quantity	List Price p
Salts Healthcare	<b>Simplicity 1</b>			
	Drainable			
	starter hole (10mm-60mm)			
	White/White	510310	30	8293 △
	White/Clear	510311	30	8293 △
	pre-cut			
	White/White			
	30mm	510330	30	8293 △
	40mm	510340	30	8293 △
	50mm	510350	30	8293 △
	60mm	510360	30	8293 △
	<b>Simplicity 1 Anatomical</b>			
	Clear - starter hole	540311	30	8083 △
	Opaque - starter hole	540310	30	8083 △
30mm	540330	30	8083 △	
40mm	540340	30	8083 △	
50mm	540350	30	8083 △	
60mm	540360	30	8083 △	
A H Shaw & Partner Ltd	<b>Black Rubber Day Bag</b>			
	(with screw cap)			
	22mm	NSI 66	1	2680
	29mm		1	2680
	38mm		1	2680
	<b>Black Rubber Night Bag</b>			
	(with screw cap)			
	22mm	NSI 67	1	2840
	29mm		1	2840
	38mm		1	2840
Ward Surgical Appliance Co	<b>Black Rubber</b>			
	(with screw outlet)			
	19mm, 35mm or 54mm			
	Day Size	WM 08	1	1849
	Night Size	WM 09	1	1932
	<b>White Rubber</b>			
	with screw outlet			
	Day Size	WM 01	1	1264
	Night Size	WM 02	1	1421
	with spout outlet			
	Day Size	WM 03	1	1264
	Night Size	WM 04	1	1421
	with tap outlet			
	Day Size	WM 05	1	1851
	Night Size	WM 06	1	2052
	with flange attached	WM 99	1	2795
	Transverse bag tap and mount outlet all sizes black and white rubber	WM 07	1	2954
	Donald Rose registered design rubber bags with celluloid collars, solid, flat or fluid rims.	9	1	1977
	New improved rubber bag only, complete with collar.	12	1	2146
	Extra tap outlet and skirt (also extra for Donald Rose RD bag)	13	1	252
Shaped rubber night bag with long vertical spring vulcanite screw outlet	18	1	1967	

IXC

## STOMA APPLIANCES

## ILEOSTOMY (DRAINABLE) BAGS

Manufacturer	Appliance	Order No.	Quantity	List Price p
Welland Medical Ltd	<b>Curvex</b> drainable pouches with soft flexible flange, all-over soft cover, Integral Closure and Dual-Carb Filter Maxi size, beige double sided softback			
	25mm plateau starter hole	CDS 513	10	3910
	32mm plateau starter hole	CDM 513	10	3910
	32mm plateau 25mm pre-cut	CDM 525	10	3910
	32mm plateau 32mm pre-cut	CDM 532	10	3910
	43mm plateau starter hole	CDL 513	10	3910
	43mm plateau 32mm pre-cut	CDL 532	10	3910
	43mm plateau 38mm pre-cut	CDL 538	10	3910
	Maxi size, clear front			
	25mm plateau starter hole	CDS 713	10	3910
	32mm plateau starter hole	CDM 713	10	3910
	43mm plateau starter hole	CDL 713	10	3910
	<b>Curvex</b> drainable pouches with soft flexible flange, all-over soft cover and filter			
	Beige			
	25mm plateau starter hole	CFS 513	10	2468
	32mm plateau starter hole	CFM 513	10	2468
	43mm plateau starter hole	CFL 513	10	2468
	<b>Curvex</b> drainable pouches with soft flexible flange, soft cover and filter			
	Clear			
	25mm plateau starter hole	CFS 713	10	2468
	32mm plateau starter hole	CFM 713	10	2468
	43mm plateau starter hole	CFL 713	10	2468
	<b>FreeStyle</b> drainable pouches with hydrocolloid wafer, protected Dual-Carb charcoal-based filter and integral closure			
	Beige double-sided softback large bags			
	13mm starterhole			
	(cut to 60mm)	FLD 513	30	8322
	25mm	FLD 525	30	8322
	29mm	FLD 529	30	8322
	32mm	FLD 532	30	8322
	35mm	FLD 535	30	8322
	38mm	FLD 538	30	8322
	44mm	FLD 544	30	8322
	White softback on body side large bags			
	13mm starter hole			
	(cut to 60mm)	FLD 713	30	8030
	Beige double-sided softback medium anatomical bags			
	13mm starter hole			
	(cut to 60mm)	FMD 513	30	8322
	25mm	FMD 525	30	8322
	29mm	FMD 529	30	8322
	32mm	FMD 532	30	8322
	35mm	FMD 535	30	8322
	38mm	FMD 538	30	8322
	44mm	FMD 544	30	8322
	<b>FreeStyle</b> Drainable Pouch with integral convexity with soft backing and Dual Carb Filter and Integral closure			
	Beige soft backing to both sides			
	Medium			
	13mm starter hole			
	(cut to 35mm)	NDM 513	10	3910
	25mm	NDM 525	10	3910
	29mm	NDM 529	10	3910
	32mm	NDM 532	10	3910
	35mm	NDM 535	10	3910
	Large			
	13mm starter hole			
	(cut to 48mm)	NDL 513	10	3910
	35mm	NDL 535	10	3910
	38mm	NDL 538	10	3910
	44mm	NDL 544	10	3910

## STOMA APPLIANCES

## ILEOSTOMY (DRAINABLE) BAGS

Manufacturer	Appliance	Order No.	Quantity	List Price p
Welland Medical Ltd	Clear with soft backing on flange side Medium 13mm starter hole (cut to 35mm)	NDM 713	10	3910
	Large 13mm starter hole (cut to 48mm)	NDL 713	10	3910
	<b>Silhouette Plus</b> Drainable Pouches with filter			
	Beige			
	19mm	SDF 519	30	7135
	25mm	SDF 525	30	7135
	29mm	SDF 529	30	7135
	32mm	SDF 532	30	7135
	35mm	SDF 535	30	7135
	38mm	SDF 538	30	7135
	44mm	SDF 544	30	7135
	51mm	SDF 551	30	7135
	Clear			
	19mm	SDF 719	30	7135
	25mm	SDF 725	30	7135
	29mm	SDF 729	30	7135
	32mm	SDF 732	30	7135
	35mm	SDF 735	30	7135
	38mm	SDF 738	30	7135
	44mm	SDF 744	30	7135
	51mm	SDF 751	30	7135
	Standard Length Drainable Bags with soft backing			
	Beige			
	starter hole 19mm	FSI 919	30	7162
	25mm	FSI 925	30	7162
	29mm	FSI 929	30	7162
	32mm	FSI 932	30	7162
	35mm	FSI 935	30	7162
	38mm	FSI 938	30	7162
	44mm	FSI 944	30	7162
	51mm	FSI 951	30	7162
	Clear			
	starter hole 19mm	FSI 719	30	7162
	25mm	FSI 725	30	7162
	29mm	FSI 729	30	7162
	32mm	FSI 732	30	7162
	35mm	FSI 735	30	7162
	38mm	FSI 738	30	7162
	44mm	FSI 744	30	7162
	51mm	FSI 751	30	7162
	<b>Welland Ovation</b> Drainable Pouch with oval skin protector			
	Beige starter hole 10mm	FSI 910	30	7541
	Clear starter hole 10mm	FSI 710	30	7541
	<b>Welland Ovation</b> Drainable Pouch with large vertical oval skin protector			
	Clear starter hole 10mm	FVI 710	10	2471
	<b>Large Post-Op</b> Drainable Bag with Softbacking			
	Clear starter hole 10mm	FSP 700	30	7382
	Beige starter hole 10mm	FSP 900	30	7382
	<b>Welland Ovation</b> Mini Drainable Pouch with oval skin protector			
	Clear starter hole 10mm	FSM 710	30	6600
	<b>Welland Ovation</b> Mini Drainable with vertical skin protector			
	Clear starter hole 10mm	FVM 710	10	2162

IXC

---

**STOMA APPLIANCES**


---



---

**ILEOSTOMY SETS**


---

Manufacturer	Appliance	Order No.	Quantity	List Price p
DBT Medical Ltd (formerly Rusch UK)	<b>Birkbeck</b>			
	Appliance "A"			
	19mm	LM 720119	1	10160
	38mm	LM 720138	1	10160
	54mm	LM 720154	1	10160
	Appliance "B"			
	19mm	LM 720519	1	6557
	38mm	LM 720538	1	6557
	54mm	LM 720554	1	6557
Omex Medical Ltd	Schacht Odourproof Ileostomy Appliance	470538	1	3103
Rusch UK see DBT Medical Ltd				
Ward Surgical Appliance Co	Donald Rose Ileostomy Appliance			
	First Stage	1	1	4838
	Second Stage	8	1	4786
	New Improved	11	1	5079



## STOMA APPLIANCES

**IRRIGATION/WASH - OUT APPLIANCES - (Replacement Parts)  
(SLEEVES/DRAINS/BAGS/CONES/LUBRICATION)  
NB. Complete Appliances are not prescribable**

Manufacturer	Appliance	Order No.	Quantity	List Price p
Astra Tech Ltd	Medena Ileostomy Catheter	M8730	5	493
B. Braun Medical	Biotrol Irrigation Sleeves	F05066E	50	4305
	Cone	F05062E	1	298
Coloplast Ltd	Disposable Sleeve	1540	30	3813
	Disposable Sleeve	1560	30	3813
	Colotip	1110	1	723
	Irrigator Bag	1511	1	1369
Dansac Ltd	Irri-Drain with Ring Holder for Silicone Ring	950-20	20	2526
	Silicone Ring	09547-0000	1	507
	Irri-Drain Adhesive	950-35	20	2463
	Water Container	95200-0000	1	1976
	Clamp	95210-0000	1	855
	Cone	95205-0000	1	1269
	Brush	95220-0000	1	215
	Tube	95215-0000	1	151
Hollister Ltd	Stoma Cone/Irrigator Kit	7718	1	2242
	Irrigator Drain	7724	20	3093
	Replacement Cones	7723	10	7954
			1	972
	Stoma Lubricant	7740	1	550
Medicina Ltd	Medicina Caecostomy and ACE Washout sets			
	For Caecostomy Button	AS01	1	880
	For Caecostomy Tube or ACE Catheter	AS02	1	880
	Ace Stopper	AP8/15- AP14/100	1	1400
	Ace Dressing			
	Standard	SD01	30	2700
	Key Hole	KD08-KD18	30	4800
Oakmed Ltd	Option Connect 2 Irrigation Sleeve	JH990	30	3741
	Oakmed Option PEG	PEG 50-3	30	4800
		PEG 50-7	30	4800
		PEG 75-10	30	4800
		PEG 75-15	30	4800
Ward Surgical Appliance Co	Belt	WM 79	1	838

IXC

## STOMA APPLIANCES

## PRESSURE PLATES/SHIELDS

Manufacturer	Appliance	Order No.	Quantity	List Price p
Coloplast Ltd	Supporting Plate	1120	1	689
ConvaTec Ltd	Combihesive Natura Convex Inserts (for use with Combihesive Natura flanges)			
	38mm (25mm internal dia)	S7624	5	147
	45mm (32mm internal dia)	S7626	5	147
	45mm (35mm internal dia)	S7627	5	147
	57mm (41mm internal dia)	S7629	5	147
Mentor Medical Ltd	Surrey Model Plastic Pressure Plate			
	25mm diam	WK001-25-P	1	820
	32mm diam	WK001-32-L	1	820
	Standard Plastic Pressure Plates to use with Lightweight Bag attached			
	Flange			
	25mm int diameter	WK004-25-C	1	820
	38mm int diameter	WK004-38-M	1	820
	Stainless Wire Pressure Frames, Hook and Lug			
	To fit			
	25mm Flange	WK012-25-Y	1	999
	32mm Flange	WK012-32-V	1	999
	38mm Flange	WK012-38-J	1	999
	44mm Flange	WK012-44-D	1	999
	51mm Flange	WK012-51-A	1	999
	Cotton Facepiece	WS300-01-P	1	2486
OstoMart Ltd	Ostoshield (without belt)	Res50	1	667
	Ostoshield Belt Small/Medium			
	45cm/85cm	Res40	1	344
	Ostoshield Belt Large/Extra Large			
	66cm/124cm	Res45	1	344

## STOMA APPLIANCES

## PRESSURE PLATES/SHIELDS

Manufacturer	Appliance	Order No.	Quantity	List Price p	
Salts Healthcare	Plastic Retaining Shield Single	833008	1	363 △	
	SS Wire Retaining Ring Medium	833011	1	346 △	
	Plastic Retaining Shield Large	833030	1	444 △	
	Light White Anti-Sag Ring For Belt use	833038	1	164 △	
	For Velcro Belt Fastening	833086	1	187 △	
	Light White Stabilising Ring	833039	1	144 △	
	Convex Plate for Light White Bag 32mm	833046	5	1568 △	
	44mm	833048	5	1568 △	
	Pressure Plate for Simplicity, Kombo & Solo 50mm	833059	1	226 △	
	60mm	833060	1	226 △	
	Pressure Plate Kombo 50mm	833090	1	214 △	
	60mm	833091	1	214 △	
	Second Nature Convex Inserts (for use with Second Nature Adhesive Flanges)				
	38mm (19mm internal dia)	CI3819	5	142 △	
	38mm (22mm internal dia)	CI3822	5	142 △	
	38mm (25mm internal dia)	CI3825	5	142 △	
	45mm (29mm internal dia)	CI4529	5	142 △	
	45mm (32mm internal dia)	CI4532	5	142 △	
	45mm (35mm internal dia)	CI4535	5	142 △	
	57mm (38mm internal dia)	CI5738	5	142 △	
57mm (41mm internal dia)	CI5741	5	142 △		
T J Shannon	Facepiece	TJS 948b	1	837	
Ward Surgical Appliance Co	Celluloid Colostomy Cup With sponge or solid rim, Small, Medium or Large	WM10	1	3683	
	With Sponge Rubber or Solid Rim, Belt Fitting	WM11	1	4201	
	St Mark's Shields (celluloid) 4 studs	WM13	1	800	

IXC

## STOMA APPLIANCES

**SKIN FILLERS AND PROTECTIVES**  
**(Barrier Creams, Pastes, Aerosols, Lotions, Powders, Gels and Wipes)**

Manufacturer	Appliance	Order No.	Quantity	List Price p		
3M Health Care Ltd	3M Cavilon Durable Barrier Cream 2g sachet	3392S	20	758		
		3391E	28g	400		
		3392E	92g	815		
	3M Cavilon No Sting Barrier Film	Pump Spray (Sterilised)	3346P	28ml	667 △	
			3343P	5	498 △	
		Foam Applicators (Sterile)	(1ml)	3345P	5	799 △
			(3ml)	3344E	30	2340
	C S Bullen Ltd	Balspray Aerosol	UF95	1	712	
		Karaya Gum Powder	UF65	70g	473	
	CliniMed Ltd Essentials Accessories	CliniShield Wipes	3800	50	1365	
LBF No Sting Barrier Film (Sterile)		3820	30 sachets	2377		
Ostagel Skin Cleanser bottle		8801	100ml	272		
sachets 1.5ml		8802	30	870		
Coloplast Ltd	Coloplast Strip Paste	2655	10 strips	739		
	Comfeel Barrier Cream	4720	60g	463		
	Comfeel Protective Film	Sachets	4735	30	1059	
		Applicator	4731	1	502	
	Conveen Prep	62042	54	988		
	Ostomy Powder	1907	25g	224		
	ConvaTec Ltd	ConvaCare Protective Barrier Wipes	S209	100 wipes	1700	
Orabase Paste		S103	30g	198		
		S104	100g	440		
Orashesive Powder		S106	25g	228		
Stomahesive Paste		S105	60g	746		
Dansac Ltd	Soft Paste	77550-0	50g	347		
Hollister Ltd	Adapt Barrier Strips (6g strip)	79400	10 strips	729		
	Adapt Paste	79300	57g	357		
	Karaya Paste	7910	128g	812		
	Karaya Powder	7905	71g	936		
	Premium Powder	7906	1	244		
	Skin Gel Protective Dressing Wipes	7917	50	1314		
Manfred Sauer GmbH	Preventox Skin Protecting Film Individually Packed Wipes	50.50	50	869		
	Preventox Skin Protecting Film with Roll-on applicator	50.58	50ml	713		

## STOMA APPLIANCES

**SKIN FILLERS AND PROTECTIVES (Barrier Creams, Pastes, Aerosols, Lotions, Powders, Gels and Wipes)**

Manufacturer	Appliance	Order No.	Quantity	List Price p
MedLogic Global Ltd	SuperSkin Liquid Barrier Film (0.7g)	SS0009	10	814
	(2g)	SS0010	10	1323
Mentor Medical Ltd	Chiron Barrier Cream	WM102-01-A	52g	543
	Karaya Powder	WM083-01-R	100g	787
	Derma-gard Skin Wipes	32-291-06	50	1591
Opus Healthcare Ltd	LaVera Barrier Cream	3300	30 sachets	1119 △
	SkinSafe Non Sting Protective Film	6600	50 sachets	3571
	SkinSafe Non Sting Protective Film	6601	50ml	1150
	Spray			
OstoMart Ltd	OstoCLENZ No rinse Skin Cleansing Gel	LGS2	100ml	267
	(sachets 2ml)	LGS3	30	1140
	OstoGuard Barrier Cream	RMC1	60g	460
	(sachets 2g)	RMC2	20	761
	OstoSEAL Protective Powder	ABP1	25g	228
S G & P Payne	Payne's Barrier Cream	1320	50g	399
Pelican Healthcare Ltd	Pelican Paste	130101	100g	743
	Pelican Ultra Barrier Cream	130105	50ml	443
	Pelican Protect	133004	30	2315
	Pelican Strip Paste	130400	30	2167
Rusch UK see Teleflex Medical				
Salts Healthcare	Stoma Paste	SP60	60g	360 △
	Karaya Powder 4oz Puffer Pack	833004	1	508 △
	Ostomy Cleaning Soap (Saltair Soap)	833007	110ml	305 △
	Peri-Prep Wipes	840001	50	1650 △
Teleflex Medical (formerly Rusch UK)	Rusch Translet Barrier Wipes	732730	30	616
Welland Medical Ltd	See CliniMed Ltd Essential Accessories			

IXC

## STOMA APPLIANCES

**SKIN PROTECTORS  
(Wafers, Blankets, Foam Pads, Washers)**

Manufacturer	Appliance	Order No.	Quantity	List Price p
B. Braun Medical	Biotrol Skin Protectors			
	10cm x 10cm	32-075	10	1881
	10cm diam	32-076	10	1881
C S Bullen Ltd	Karaya Gum Washers in tins			
	51mm diameter			
	Regular			
	51mm x 22mm opening	UF601	10	1285
	51mm x 29mm opening	UF602	10	1285
	Extra Hard			
	51mm x 22mm opening	UF6601	10	1285
	51mm x 29mm opening	UF6602	10	1285
	64mm diameter			
	Regular			
	64mm x 32mm opening	UF603	10	1490
	Extra Hard			
	64mm x 32mm opening	UF6603	10	1490
	76mm diameter			
	Regular			
	76mm x 22mm opening	UF 604	10	1709
	76mm x 29mm opening	UF 605	10	1709
	76mm x 38mm opening	UF 606	10	1709
	76mm x 51mm opening	UF 607	10	1709
	Extra Hard			
76mm x 22mm opening	UF 6604	10	1709	
76mm x 29mm opening	UF 6605	10	1709	
76mm x 38mm opening	UF 6606	10	1709	
76mm x 51mm opening	UF 6607	10	1709	
CliniMed Ltd Essentials Accessories	Hyperseal Washers			
	Small	HWA 300	20	2400
	Large	HWA 350	5	1000

## STOMA APPLIANCES

## SKIN PROTECTORS (Wafers, Blankets, Foam Pads, Washers)

Manufacturer	Appliance	Order No.	Quantity	List Price p
Coloplast Ltd	Coloplast Protective Sheets Non Sterile			
	10cm x 10cm	3210	10	2349
	15cm x 15cm	3215	5	2781
	20cm x 20cm	3220	5	5060
	Coloplast Protective Rings			
	10mm	2310	30	4077
	15mm	2315	30	4077
	20mm	2320	30	4077
	25mm	2325	30	4077
	30mm	2330	30	4077
	40mm	2340	30	4077
	50mm	2350	30	4077
	ConvaTec Ltd	Stomahesive Wafers		
100mm x 100mm		S100	5	1125
200mm x 200mm		S101	3	2757
Varihesive Wafers				
100mm x 100mm	S108	5	983	
Dansac Ltd	Dansac GX-tra Seals			
	Washers			
	20mm (50mm outer diameter)	725-20/30	30	4081 △
	30mm (60mm outer diameter)	725-30/30	30	4081 △
	40mm (70mm outer diameter)	725-40/30	30	4081 △
50mm (80mm outer diameter)	725-50/30	30	4081 △	
Hollister Ltd	Adapt Conformable Rings			
	17-26mm	79520	10	1700
	27-36mm	79530	10	1700
	37-46mm	79540	10	1700
	Hollister Skin Barrier			
	102mm x 102mm	7700	5	1160
203mm x 203mm	7701	4	3650	
Mentor Medical Ltd	White Foam Pads			
	76mm diam			
	25mm opening	WJ275-25-A	5	535
	29mm opening	WJ275-29-J	5	732
	32mm opening	WJ275-32-W	5	732
	38mm opening	WJ275-38-K	5	732
	90mm diam			
	32mm opening	WJ290-32-L	5	732
38mm opening	WJ290-38-Y	5	732	

IXC

## STOMA APPLIANCES

## SKIN PROTECTORS (Wafers, Blankets, Foam Pads, Washers)

Manufacturer	Appliance	Order No.	Quantity	List Price p
Mentor Medical Ltd	Karaya Washers to fit (Redifit) Bag			
	25mm	WM080-25-T	10	1580
	32mm	WM080-32-Q	10	1580
	38mm	WM080-38-D	10	1580
	44mm	WM080-44-X	10	1580
	51mm	WM080-51-U	10	1580
	Downs Adhesive Karaya Gum Washers			
	22mm centre opening 51mm base	WM051-23-C	10	1281
	29mm centre opening 51mm base	WM051-28-N	10	1281
	22mm centre opening 70mm base	WM070-23-J	10	1580
	29mm centre opening 70mm base	WM070-28-U	10	1580
	Karaya Rings			
	19mm	32-263-87	20	2876
	25mm	32-264-84	20	2876
	32mm	32-265-81	20	2876
	38mm	32-266-89	20	2876
	51mm	32-267-86	20	2876
	Seel-a-Peel Squares			
	100mm sq	32-292-03	20	4434
	150mm sq	32-292-11	5	2730
	Rings			
	19mm	32-293-00	20	2631
	25mm	32-293-19	20	2631
32mm	32-293-27	20	2631	
38mm	32-293-35	20	2631	
44mm	32-293-43	20	2631	
Oakmed Ltd	Option Seals Rings 20mm	WM-100	10	1767
Omex Medical Ltd	Schacht Foam Rings			
	Colostomy Ileostomy	784885 784893	10 10	752 752
Pelican Healthcare Ltd	Pelican Skin Protector 100mm x 100mm	130320	10	2155
	Pelican Superseal Washers			
	20mm 30mm	130325 130326	32 32	4459 4459



## STOMA APPLIANCES

## SKIN PROTECTORS (Wafers, Blankets, Foam Pads, Washers)

Manufacturer	Appliance	Order No.	Quantity	List Price p
Salts Healthcare	Salts Saltair Twin Pack			
	Small	833001	1	1066 △
	Large	833002	1	1491 △
	Salts Small Karaya Washers	833003	10	871 △
	Foam Seals as in small twin pack	833031	10	217 △
	Salts Large Karaya Washers	833084	10	1419 △
	Foam Seals as in large twin pack	833085	10	217 △
	Cohesive Slims			
	Small 48mm	839005	30	5394
	Cohesive Washers			
	Small 48mm	839002	20	3666 △
	Large 98mm	839001	10	2448 △
	Protective Wafer			
	10cm x 10cm	PW1010	10	2237 △
	15cm x 15cm	PW1515	5	2400 △
	Realistic Washers			
	13mm	833070	10	1778 △
	19mm	833071	10	1778 △
	22mm	833072	10	1778 △
	25mm	833073	10	1778 △
29mm	833074	10	1778 △	
32mm	833075	10	1778 △	
38mm	833076	10	1778 △	
SASH	SoftPads	SP101	8	1210
T J Shannon Ltd	Kaygee Washers			
	64mm base (29mm or 22mm hole)		10	733
	70mm base (35mm or 22mm hole)		10	733
A H Shaw & Partners Ltd	Shaw Healwell Squares hole sizes 25mm, 32mm and 38mm	NSI 53	12	1167
	Body Mould Squares hole sizes 25mm, 32mm and 38mm	NSI 56	5	1230
	Washers hole sizes 25mm, 32mm	NSI 59	10	1127
	Rings hole sizes 25mm, 32mm and 38mm	NSI 55	5	1127
	Shaw Healwell Rings hole sizes 25mm, 32mm and 38mm	NSI 52	21	1008
Welland Medical Ltd	See CliniMed Ltd Essentials Accessories			

IXC

## STOMA APPLIANCES

## STOMA CAPS/DRESSINGS

Manufacturer	Appliance	Order No.	Quantity	List Price p
B. Braun Medical	Biotrol Petite	F00015E	30	3564
	15-35mm (starter hole)	F00011E	30	3564
C S Bullen Ltd	Shelter Stomacap			
	Microporous adhesive cut-to-fit			
	13mm-64mm	1240/00	15	1495
	pre-cut			
	19mm	1240/19	15	1495
	25mm	1240/25	15	1495
	32mm	1240/32	15	1495
	38mm	1240/38	15	1495
	44mm	1240/44	15	1495
	51mm	1240/51	15	1495
	58mm	1240/58	15	1495
	64mm	1240/64	15	1495
	Mini Stomacap cut-to-fit			
	10mm-32mm	1740/00	50	4500
	Microporous adhesive, bio dressing resin cut-to-fit			
	13mm-64mm	1245/00	15	1795
	pre-cut			
	19mm	1245/19	15	1795
	25mm	1245/25	15	1795
	32mm	1245/32	15	1795
38mm	1245/38	15	1795	
44mm	1245/44	15	1795	
51mm	1245/51	15	1795	
58mm	1245/58	15	1795	
64mm	1245/64	15	1795	
Coloplast Ltd	Colocap	1014	100	12970
	Assura Minicap Opaque 20mm starter hole	2501	30	3867
ConvaTec Ltd	Colodress Plus Stoma Cap 19mm starter hole	S821	30	3677
Dansac Ltd	Dansac Nova Mini Caps (Opaque) cut-to-fit			
	20-50mm	829-20	30	3757
	pre-cut			
	25mm	829-25	30	3757
	30mm	829-30	30	3757
	40mm	829-40	30	3757
	50mm	829-50	30	3757
	Dansac Unique Mini Cap (Opaque) cut-to-fit			
	20-50mm	229-20	30	3692
	pre-cut			
30mm	229-30	30	3692	
40mm	229-40	30	3692	
50mm	229-50	30	3692	
Hollister Ltd	Hollister Stoma Cap			
	51mm	3184	30	3701
	76mm	3186	30	3701

**STOMA APPLIANCES****STOMA CAPS/DRESSINGS**

Manufacturer	Appliance	Order No.	Quantity	List Price p
Mentor Medical Ltd	Leisure Pouch	32-287-11	20	2589
Oakmed Ltd	Option Stoma Cap	1320K	50	5339
	Option Stoma Cap with Soft Covering and Filter Opaque for:- cut-to-fit 20mm - 50mm	1420K	50	5799
	50mm flange	1750K	30	3159
	Option Stoma Cap Mini with Soft Covering Opaque for:- cut-to-fit 20mm - 40mm	1120K	50	5699
	Option Stoma Cap with Soft Covering Opaque for:- cut-to-fit 20mm - 50mm	1520K	50	5699
Pelican Healthcare	Pelican Select Minuet 10-40mm (starter hole)	102380	30	3715
Salts Healthcare	Confidence Gold Stomacap with Filter starter hole 13mm	SCG13	30	3408 △
	Confidence Stomacap with Filter starter hole 13mm	SC13	30	3467 △
	Second Nature Stoma Cap with filter 32mm	2SC32	30	3228 △
	38mm	2SC38	30	3228 △
	45mm	2SC45	30	3228 △
	57mm	2SC57	30	3228 △
Ward Surgical Appliance Co	Two zip fasteners fitted to colostomy belt	36	1	795
	Waterproof front, fitted to colostomy belt	37	1	656
	Donald Rose rubber ileo/colostomy bath belt with internal chamber for dressings, with stud fastenings for adjustment	51	1	1970
	Woven understraps with buttonhold ends	21	1 pair	304

IXC

**TUBING**

Manufacturer	Appliance	Order No.	Quantity	List Price p
Hollister Ltd	Urostomy Drain Tube	7328	10	2742
	Urostomy Drain Tube for fitting to LO-Profile Urostomy Bags	7330	8	2550
	Premium Urostomy drain tube adaptor	7331	10	2231
Mentor Medical Ltd	Carshalton Connector	11-110-19	10	462
Salts Healthcare	Salts Night Tube Adaptor	833043	2	110 △
	Urostomy Night Drainage Adaptor	NDA6	6	1223 △
Ward Surgical Appliance Co	Metal Spring Tubing Clip	48	1	221

## STOMA APPLIANCES

## TWO PIECE OSTOMY SYSTEMS

Manufacturer	Appliance	Order No.	Quantity	List Price p
B. Braun Medical	<b>Almarys Twin</b>			
	Closed Bag with filter			
	Beige 40mm	F032240E	30	3695
	50mm	F032250E	30	3695
	60mm	F032260E	30	3695
	80mm	F032280E	30	3695
	Transparent			
	40mm	F032340E	30	3695
	50mm	F032350E	30	3695
	60mm	F032360E	30	3695
	80mm	F032380E	30	3695
	Drainable Bag without filter			
	Beige 40mm	F032540E	30	3626
	50mm	F032550E	30	3626
	60mm	F032560E	30	3626
	80mm	F032580E	30	3626
	Transparent			
	40mm	F032440E	30	3626
	50mm	F032450E	30	3626
	60mm	F032460E	30	3626
	80mm	F032480E	30	3626
	Drainable Bag with filter			
	Beige 40mm	F032640E	30	3666
	50mm	F032650E	30	3666
	60mm	F032660E	30	3666
	Urostomy Bag			
	Transparent			
	40mm	F032940E	20	5256
	50mm	F032950E	20	5256
	60mm	F032960E	20	5256
	<b>Almarys Twin +</b>			
	Base Plate			
	40mm (15-35mm)	036240E	10	2911
	50mm (15-45mm)	036250E	10	2911
	60mm (15-55mm)	036260E	10	2911
	80mm (15-75mm)	036280E	10	2911
	Convex Base Plate			
	Important: This product with integral convexity should only be used after prior assessment of suitability by an appropriate medical professional.			
	40mm/17mm	036342E	5	1508
	40mm/20mm	036343E	5	1508
	50mm/24mm	036351E	5	1508
	50mm/27mm	036352E	5	1508
	50mm/30mm	036353E	5	1508
	50mm/17-30mm	036355E	5	1508
	60mm/34mm	036361E	5	1508
	60mm/37mm	036362E	5	1508
	60mm/40mm	036363E	5	1508
	60mm/17-40mm	036365E	5	1508
	80mm/17-60mm	036385E	5	1508

## STOMA APPLIANCES

## TWO PIECE OSTOMY SYSTEMS

Manufacturer	Appliance	Order No.	Quantity	List Price p
B. Braun Medical	Closed Pouch with filter and protective cover			
	Beige 40mm	037240E	30	4254
	50mm	037250E	30	4254
	60mm	037260E	30	4254
	80mm	037280E	30	4254
	Transparent			
	40mm	037340E	30	4254
	50mm	037350E	30	4254
	60mm	037360E	30	4254
	80mm	037380E	30	4254
	Drainable pouch with filter, protective cover and "Flow Control" soft outlet			
	Beige 40mm	038840E	30	4461
	50mm	038850E	30	4461
	60mm	038860E	30	4461
	Transparent			
	40mm	038740E	30	4461
	50mm	038750E	30	4461
	60mm	038760E	30	4461
	High Flow Drainable collection pouch			
	Beige 50mm	039850E	30	11200
	60mm	039860E	30	11200
	Transparent			
	80mm	039880E	30	11200
	<b>Biotrol LockRing 2</b>			
	Flange			
	35mm	22-135	5	1412
	50mm	22-150	5	1412
	75mm	22-175	5	1412
	Hydrocolloid Flange			
	35mm	24-235	5	1385
	50mm	24-250	5	1385
	62mm	24-262	5	1385
	75mm	24-275	5	1385
	Closed Bag			
	Beige 35mm	22-835	30	3458
	50mm	22-850	30	3458
	62mm	22-862	30	3458
	75mm	22-875	30	3458
	White 35mm	22-335	30	3518
	50mm	22-350	30	3518
	Transparent			
	75mm	22-375	30	3518
	Drainable Bag			
	Beige 35mm	22-535	30	3458
	50mm	22-550	30	3458
	62mm	22-562	30	3458
	75mm	22-575	30	3458
	White 35mm	22-435	30	3518
	50mm	22-450	30	3518
	Transparent			
	75mm	22-475	30	3518
	<b>Biotrol</b>			
	+ Paediatric			
	Flange			
	35mm	23-035	5	1371
	Paediatric			
	Closed Bag			
	Beige			
	35mm	23-435	30	3084

IXC

+ to be deleted 1 March 2006

## STOMA APPLIANCES

## TWO PIECE OSTOMY SYSTEMS

Manufacturer	Appliance	Order No.	Quantity	List Price p
B. Braun Medical	+ Drainable Bag Beige 35mm	23-735	30	3403
<b>+ to be deleted 1 March 2006</b>				
	Urostomy Bag Transparent Baby 35mm	23-835	10	2600
	Child 35mm	23-935	10	2600
	Urostomy Bag Transparent 35mm	22-635	10	2646
	50mm	22-650	10	2646
	75mm	22-775	10	2646
	<b>Softima Key</b>			
	Flexible Base Plate 40mm	63040E	10	3623
	50mm	63050E	10	3623
	60mm	63060E	10	3623
	80mm	63080E	10	3623
	Drainable Pouch with Filter and Flow Control Beige 40mm	63340E	30	4824
	50mm	63350E	30	4824
	60mm	63360E	30	4824
	Transparent 40mm	63440E	30	4824
	50mm	63450E	30	4824
	60mm	63460E	30	4824
	Closed Pouch with Filter Beige 40mm	63140E	30	4884
	50mm	63150E	30	4884
	60mm	63160E	30	4884
	80mm	63180E	30	4884
	Transparent 40mm	63240E	30	4884
	50mm	63250E	30	4884
	60mm	63260E	30	4884
	80mm	63280E	30	4884
C S Bullen Ltd	<b>Shelter</b>			
	Flexible Plate Microporous adhesive and Bio dressing resin 38mm	745/38	5	1125
	45mm	745/45	5	1125
	57mm	745/57	5	1125
	Rigid Plate Bio dressing resin 38mm	750/38	5	1105
	45mm	750/45	5	1105
	57mm	750/57	5	1105
	Closed Pouch 38mm	2700/38	10	1026
	45mm	2700/45	10	1026
	57mm	2700/57	10	1026
	Drainable Pouch 38mm	3700/38	10	1026
	45mm	3700/45	10	1026
	57mm	3700/57	10	1026
	Stoma Cap 38mm	1700/38	10	885
	45mm	1700/45	10	885
	57mm	1700/57	10	885
	Drainable Pouch Extra Large 38mm	4700/38	10	1231
	45mm	4700/45	10	1231
	57mm	4700/57	10	1231
	70mm	4700/70	10	1231

## STOMA APPLIANCES

## TWO PIECE OSTOMY SYSTEMS

Manufacturer	Appliance	Order No.	Quantity	List Price p	
Coloplast Ltd	<b>Assura</b> Base Plates with 10mm starter hole:				
	40mm for 15-35mm stoma	13141	5	1598	
	50mm for 15-45mm stoma	13151	5	1598	
	60mm for 15-55mm stoma	13161	5	1598	
	Convex inserts for use with the above - see "Pressure Plates"				
	<b>Assura</b> Base Plates 40mm for paediatric bags	2180	5	1621	
	<b>Assura Extra</b>				
	Base Plates				
	40mm flange	2831	5	1884	
	50mm flange	2832	5	1884	
	60mm flange	2833	5	1884	
	<b>Assura Seal Extra</b>				
	Base Plates with integral deep convexity				
	40mm flange starter hole 15-23mm	14243	5	1884	
	50mm flange starter hole 15-33mm	14246	5	1884	
	60mm flange starter hole 15-43mm	14249	5	1884	
	<b>Assura Seal Integral Convexity Baseplates</b>				
	Important: This product with Integral Convexity should only be used after prior assessment of suitability by an appropriate medical professional.				
	40mm flange for 15mm pre-cut	12721	5	1522	
	40mm flange for 18mm pre-cut	12722	5	1522	
	40mm flange for 21mm pre-cut	12723	5	1522	
	50mm flange starter hole 15mm	12717	5	1522	
	50mm flange for 25mm pre-cut	12724	5	1522	
50mm flange for 28mm pre-cut	12725	5	1522		
50mm flange for 31mm pre-cut	12726	5	1522		
60mm flange starter hole 15-43mm	12718	5	1522		
60mm flange for 35mm pre-cut	12727	5	1522		
60mm flange for 38mm pre-cut	12728	5	1522		
60mm flange for 41mm pre-cut	12729	5	1522		

IXC

## STOMA APPLIANCES

## TWO PIECE OSTOMY SYSTEMS

Manufacturer	Appliance	Order No.	Quantity	List Price p
Coloplast Ltd	<b>Assura Soft Seal Baseplates with shallow convexity</b>			
	Important: This product with integral convexity should only be used after prior assessment of suitability by an appropriate medical professional			
	40mm flange starter hole 15-23mm	14261	5	1708
	40mm flange 18mm pre-cut	14271	5	1708
	40mm flange 21mm pre-cut	14272	5	1708
	50mm flange starter hole 15-33mm	14262	5	1708
	50mm flange 25mm pre-cut	14273	5	1708
	50mm flange 28mm pre-cut	14274	5	1708
	50mm flange 31mm pre-cut	14275	5	1708
	60mm flange starter hole 15-43mm	14263	5	1708
	60mm flange 35mm pre-cut	14276	5	1708
	60mm flange 38mm pre-cut	14277	5	1708
	60mm flange 41mm pre-cut	14278	5	1708
	<b>Assura Soft Seal Extra Baseplate</b>			
	Important: This product with integral convexity should only be used after prior assessment of suitability by an appropriate medical professional.			
	40mm flange starter hole 15-23mm	14281	5	1884
	50mm flange starter hole 15-33mm	14282	5	1884
	60mm flange starter hole 15-43mm	14283	5	1884
	40mm flange pre-cut 18mm	14291	5	1884
	40mm flange pre-cut 21mm	14292	5	1884
	50mm flange pre-cut 25mm	14293	5	1884
	50mm flange pre-cut 28mm	14294	5	1884
	50mm flange pre-cut 31mm	14295	5	1884
	60mm flange pre-cut 35mm	14296	5	1884
	60mm flange pre-cut 38mm	14297	5	1884
	60mm flange pre-cut 41mm	14298	5	1884
	<b>Assura Closed Bags:</b>			
	<b>Paediatric Opaque</b>			
	40mm	2160	30	3018
	<b>Mini Opaque</b>			
	40mm	2724	30	3324
	50mm	2725	30	3324
	<b>Midi Clear</b>			
	40mm	2774	30	4125
	50mm	2775	30	4125
	60mm	2776	30	4125
	<b>Midi Opaque</b>			
	40mm	2764	30	4125
	50mm	2765	30	4125
	60mm	2766	30	4125
	<b>Maxi Clear</b>			
	40mm	2784	30	4125
	50mm	2785	30	4125
	60mm	2786	30	4125
	<b>Maxi Opaque</b>			
	40mm	2814	30	4125
	50mm	2815	30	4125
	60mm	2816	30	4125
	<b>Minicap Opaque</b>			
	40mm	2804	30	3300
	50mm	2805	30	3300



## STOMA APPLIANCES

## TWO PIECE OSTOMY SYSTEMS

Manufacturer	Appliance	Order No.	Quantity	List Price p
Coloplast Ltd	<b>Assura</b> Uro Minicap 2 piece			
	Opaque with 40mm coupling	2807	30	13515
	Opaque with 50mm coupling	2808	30	13497
	<b>Assura</b> Drainable Bags			
	Paediatric Opaque			
	40mm	2150	30	3498
	Midi Clear			
	40mm	2754	30	4125
	50mm	2755	30	4125
	60mm	2756	30	4125
	Midi Opaque			
	40mm	2744	30	4125
	50mm	2745	30	4125
	60mm	2746	30	4125
	Maxi Clear			
	40mm	2794	30	4125
	50mm	2795	30	4125
	60mm	2796	30	4125
	Maxi Opaque			
	40mm	2824	30	4125
	50mm	2825	30	4125
	60mm	2826	30	4125
	Closed Bag with Integral Filter and Opaque Soft Cover front and back			
	Midi			
	40mm	12461	30	4125
	50mm	12462	30	4125
	60mm	12463	30	4125
	Maxi			
	40mm	12481	30	4125
	50mm	12482	30	4125
	60mm	12483	30	4125
	Drainable Bag with Opaque Soft Cover front and back			
	Midi			
	40mm	12441	30	4125
	50mm	12442	30	4125
	60mm	12443	30	4125
	<b>Assura</b> Urostomy Bag (include 4 drain tube adaptors per pack)			
	Midi Clear with soft backing on body-worn side			
	40mm	2854	30	8238
	50mm	2855	30	8238
	Maxi Clear with soft backing on body-worn side			
	40mm	2874	30	8238
	50mm	2875	30	8238
	60mm	2876	30	8238
	Paediatric Clear with soft backing on body-worn side			
	40mm	2175	30	8238
	Maxi Opaque with soft backing on body-worn side			
	40mm	2864	30	8238
	50mm	2865	30	8238
	60mm	2866	30	8238
	Paediatric Opaque with soft backing on body-worn side			
	40mm	2170	30	8238

IXC

## STOMA APPLIANCES

## TWO PIECE OSTOMY SYSTEMS

Manufacturer	Appliance	Order No.	Quantity	List Price p
Coloplast Ltd	<b>Assura Inspire</b>			
	Closed Bag with integral filter and soft backing			
	Midi Transparent			
	40mm	12344	30	4110
	50mm	12345	30	4110
	60mm	12346	30	4110
	Maxi Transparent			
	40mm	12374	30	4110
	50mm	12375	30	4110
	60mm	12376	30	4110
	Closed Bag with integral filter and opaque soft cover front and back			
	Midi Soft Cover			
	40mm	12354	30	4110
	50mm	12355	30	4110
	60mm	12356	30	4110
	Maxi Soft Cover			
	40mm	12384	30	4110
	50mm	12385	30	4110
	60mm	12386	30	4110
	Closed Bag with integral filter and soft cover front and back			
	Midi Design			
	40mm	12364	30	4110
	50mm	12365	30	4110
	60mm	12366	30	4110
	Maxi Design			
	40mm	12394	30	4110
	50mm	12395	30	4110
	60mm	12396	30	4110
	Drainable Bag with integral filter and soft backing			
	Midi Transparent			
	40mm	13444	30	4110
	50mm	13445	30	4110
	60mm	13446	30	4110
	Maxi Transparent			
	40mm	13474	30	4110
	50mm	13475	30	4110
	60mm	13476	30	4110
	Drainable Bag with integral filter and opaque soft cover front and back			
	Midi Soft Cover			
	40mm	13454	30	4110
	50mm	13455	30	4110
	60mm	13456	30	4110
	Maxi Soft Cover			
	40mm	13484	30	4110
	50mm	13485	30	4110
	60mm	13486	30	4110
	Drainable Bag with integral filter and soft cover front and back			
	Midi Design			
	40mm	13464	30	4110
	50mm	13465	30	4110
	60mm	13466	30	4110
	Maxi Design			
	40mm	13494	30	4110
	50mm	13495	30	4110
	60mm	13496	30	4110

## STOMA APPLIANCES

## TWO PIECE OSTOMY SYSTEMS

Manufacturer	Appliance	Order No.	Quantity	List Price p
Coloplast Ltd	<b>Assura Inspire</b> with Hide-away outlet			
	Drainable Bag with integral filter and soft backing with Hide-away outlet.			
	Midi Transparent			
	40mm	13944	30	4362
	50mm	13945	30	4362
	60mm	13946	30	4362
	Maxi Transparent			
	40mm	13974	30	4362
	50mm	13975	30	4362
	60mm	13976	30	4362
	Drainable Bag with integral filter, opaque soft cover front and back with Hide-away outlet.			
	Mini Soft Cover			
	40mm	13924	30	4362
	50mm	13925	30	4362
	60mm	13926	30	4362
	Midi Soft Cover			
	40mm	13954	30	4362
	50mm	13955	30	4362
	60mm	13956	30	4362
	Maxi Soft Cover			
	40mm	13984	30	4362
	50mm	13985	30	4362
	60mm	13986	30	4362
	Drainable Bag with integral filter, opaque design soft cover front and back with Hide-away outlet.			
	Midi Design			
	40mm	13964	30	4362
	50mm	13965	30	4362
	60mm	13966	30	4362
	<b>Assura</b> Multichamber Urostomy Bag			
	Midi Transparent			
	40mm	14217	30	8082
	50mm	14218	30	8082
	60mm	14219	30	8082
	Maxi Transparent			
	40mm	14227	30	8082
	50mm	14228	30	8082
	60mm	14229	30	8082
	Midi White			
	40mm	14214	30	8082
	50mm	14215	30	8082
	60mm	14216	30	8082
	Maxi White			
	40mm	14224	30	8082
	50mm	14225	30	8082
	60mm	14226	30	8082

IXC

## STOMA APPLIANCES

## TWO PIECE OSTOMY SYSTEMS

Manufacturer	Appliance	Order No.	Quantity	List Price p
Coloplast Ltd	<b>Easiflex Baseplate</b>			
	35mm flange, starter hole 10-33mm	14301	10	3623
	50mm flange, starter hole 10-48mm	14302	10	3623
	70mm flange, starter hole 10-68mm	14303	10	3623
	90mm flange, starter hole 15-88mm	14309	5	1780
	Extra 35mm flange, starter hole 10-33mm	14304	10	3623
	Extra 50mm flange, starter hole 10-48mm	14305	10	3623
	Extra 70mm flange, starter hole 10-68mm	14306	10	3623
	35mm flange, pre-cut 18mm	14381	10	3623
	35mm flange, pre-cut 21mm	14382	10	3623
	35mm flange, pre-cut 25mm	14383	10	3623
	35mm flange, pre-cut 28mm	14384	10	3623
	50mm flange, pre-cut 25mm	14385	10	3623
	50mm flange, pre-cut 28mm	14386	10	3623
	50mm flange, pre-cut 31mm	14387	10	3623
	50mm flange, pre-cut 35mm	14388	10	3623
	50mm flange, pre-cut 41mm	14389	10	3623
	Extra 35mm flange, pre-cut 18mm	14391	10	3623
	Extra 35mm flange, pre-cut 21mm	14392	10	3623
	Extra 35mm flange, pre-cut 25mm	14393	10	3623
	Extra 35mm flange, pre-cut 28mm	14394	10	3623
	Extra 50mm flange, pre-cut 25mm	14395	10	3623
	Extra 50mm flange, pre-cut 28mm	14396	10	3623
	Extra 50mm flange, pre-cut 31mm	14397	10	3623
	Extra 50mm flange, pre-cut 35mm	14398	10	3623
	Extra 50mm flange, pre-cut 41mm	14399	10	3623
	Paediatric			
	17mm flange, starter hole 0-15mm	14307	10	3560
	27mm flange, starter hole 0-25mm	14308	10	3560
	<b>Easiflex Closed Bags with Dual Filter</b>			
	Mini Soft Cover			
	35mm	14471	30	4884
	50mm	14472	30	4884
	Mini Design			
	35mm	14473	30	4884
	50mm	14474	30	4884
	Midi Transparent			
	35mm	14461	30	4884
	50mm	14462	30	4884
	Midi Soft Cover			
	35mm	14464	30	4884
	50mm	14465	30	4884
	50mm Custom Peel	14466	30	4884
	Midi Design			
	35mm	14467	30	4884
	50mm	14468	30	4884
	50mm Custom Peel	14469	30	4884
	Maxi Transparent			
	35mm	14481	30	4884
	50mm	14482	30	4884
	50mm Custom Peel	14483	30	4884
	70mm	14478	30	4884

## STOMA APPLIANCES

## TWO PIECE OSTOMY SYSTEMS

Manufacturer	Appliance	Order No.	Quantity	List Price p
Coloplast Ltd	Maxi Soft Cover			
	35mm	14484	30	4884
	50mm	14485	30	4884
	50mm Custom Peel	14486	30	4884
	70mm	14479	30	4884
	Maxi Design			
	35mm	14487	30	4884
	50mm	14488	30	4884
	50mm Custom Peel	14489	30	4884
	Extra Large Transparent			
	70mm	14476	30	4884
	Extra Large Soft Cover			
	70mm	14477	30	4884
	<b>Easiflex Drainable Bags with Hide-Away Outlet</b>			
	Soft Cover			
	90mm	14379	30	4828
	Midi Transparent			
	35mm	14341	30	4824
	50mm	14342	30	4824
	Midi Soft Cover			
	35mm	14346	30	4824
	50mm	14347	30	4824
	50mm Custom Peel	14348	30	4824
	Midi design			
	35mm	14351	30	4824
	50mm	14352	30	4824
	50mm Custom Peel	14353	30	4824
	Maxi Transparent			
	35mm	14356	30	4824
	50mm	14357	30	4824
	50mm Custom Peel	14358	30	4824
	70mm	14344	30	4824
	Maxi Soft Cover			
	35mm	14361	30	4824
	50mm	14362	30	4824
	50mm Custom Peel	14363	30	4824
	70mm	14349	30	4824
	Maxi Design			
	35mm	14366	30	4824
	50mm	14367	30	4824
	50mm Custom Peel	14368	30	4824
	Extra Large Transparent			
	70mm	14359	30	4824
	Extra Large Soft Cover			
	70mm	14364	30	4824
	Mini Soft Cover			
	35mm	14376	30	4824
	50mm	14377	30	4824
	Paediatric Transparent			
	17mm	14681	30	4828
	27mm	14682	30	4828
	Paediatric Design			
	17mm	14691	30	4828
	27mm	14692	30	4828

IXC

## STOMA APPLIANCES

## TWO PIECE OSTOMY SYSTEMS

Manufacturer	Appliance	Order No.	Quantity	List Price p
Coloplast Ltd	<b>Easiflex Soft Seal</b> baseplate			
	Important: This product with integral convexity should only be used after prior assessment of suitability by an appropriate medical professional.			
	35mm flange, starter hole 15-23mm	14401	5	1886
	50mm flange, starter hole 15-33mm	14402	5	1886
	50mm flange, starter hole 15-43mm	14403	5	1886
	35mm flange, pre-cut 18mm	14641	5	1886
	35mm flange, pre-cut 21mm	14642	5	1886
	50mm flange, pre-cut 25mm	14643	5	1886
	50mm flange, pre-cut 28mm	14644	5	1886
	50mm flange, pre-cut 31mm	14645	5	1886
	50mm flange, pre-cut 35mm	14646	5	1886
	50mm flange, pre-cut 38mm	14647	5	1886
	50mm flange, pre-cut 41mm	14648	5	1886
	<b>MC 2002</b>			
	Base Plates			
	40mm flanges 15mm stoma	6742	5	1677
	40mm flanges 25mm stoma	6743	5	1677
	60mm flanges 35mm stoma	6764	5	1677
	60mm flanges 45mm stoma	6765	5	1677
	Closed Pouches			
	Clear			
	40mm	6641	30	4542
	60mm	6661	30	4542
	Opaque			
	40mm	6642	30	4542
	60mm	6662	30	4542
	Open Pouches			
	Clear - 40mm	6541	30	5013
	60mm	6561	30	5013
	Opaque - 40mm	6542	30	5013
	60mm	6562	30	5013
	Belt Plates			
	40mm	4270	1	68
	60mm	4271	1	68
	<b>URO2002</b>			
	Base Plates			
	40mm flange	4245	5	1720
	60mm flange	4265	5	1720
	Bags			
	40mm Large	4240	20	6660
	Small	4241	20	6660
	60mm Large	4260	20	6660
	<b>Conseal</b>			
	Base Plates			
	40mm	1200	5	1607
	50mm	1250	5	1607
	Colostomy Plug			
	40 x 35mm	1235	10	1464
	40 x 45mm	1245	10	1464
	50 x 35mm	1285	10	1464
	50 x 45mm	1295	10	1464
	Closed Bag			
	40mm	1210	30	4344
	50mm	1260	30	4344

## STOMA APPLIANCES

## TWO PIECE OSTOMY SYSTEMS

Manufacturer	Appliance	Order No.	Quantity	List Price p
Conva Tec Ltd	<b>Combihesive Natura</b>			
	Durahesive Convex flange with Flexible Collar. Mouldable			
	Important: This product with integral convexity should only be used after prior assessment of suitability by an appropriate medical professional.			
	13-22mm (for 45mm pouches)	S7304	10	3124
	22-33mm (for 45mm pouches)	S7305	10	3124
	33-45mm (for 57mm pouches)	S7306	10	3124
	Durahesive with Convex-IT Flange			
	Important: This product with deep convexity should only be used after prior assessment of suitability by an appropriate medical professional.			
	13mm/45mm	S7325	5	1557
	16mm/45mm	S7326	5	1557
	19mm/45mm	S7327	5	1557
	22mm/45mm	S7328	5	1557
	25mm/45mm	S7329	5	1557
	28mm/45mm	S7330	5	1557
	32mm/45mm	S7331	5	1557
	35mm/45mm	S7332	5	1557
	38mm/57mm	S7335	5	1557
	41mm/57mm	S7336	5	1557
	45mm/57mm	S7337	5	1557
	50mm/57mm	S7338	5	1557
	Flexible Flange with Micropore Surround (Oval)			
	32mm	S7244	5	1528
	38mm	S7245	5	1528
	45mm	S7246	5	1528
	57mm	S7247	5	1528
	70mm	S7248	5	1528
	Flexible Flange with Micropore Surround (Square)			
	Wafer size 100mm x 100mm			
	32mm	S7238	10	2900
	38mm	S7239	10	2900
	45mm	S7240	10	2900
	Wafer size 127mm x 127mm			
	57mm	S7241	10	2900
	70mm	S7242	10	2900
	Stomahesive Flange			
	32mm	S7294	10	2676
	38mm	S7295	10	2676
	45mm	S7296	10	2676
	57mm	S7297	10	2676
	70mm	S7298	10	2676
	100mm	S7299B	5	1338

IXC

## STOMA APPLIANCES

## TWO PIECE OSTOMY SYSTEMS

Manufacturer	Appliance	Order No.	Quantity	List Price p
Conva Tec Ltd	<b>Combihesive Natura</b>			
	Stomahesive Flexible Flange			
	32mm	S7340	10	2891
	38mm	S7341	10	2891
	45mm	S7342	10	2891
	57mm	S7343	10	2891
	70mm	S7344	10	2891
	Flange Cap with Filter			
	Opaque			
	38mm	S7250	25	2528
	45mm	S7251	25	2528
	57mm	S7252	25	2528
	Closed Pouch with filter			
	Standard Size - Opaque			
	32mm	S7254	30	3697
	38mm	S7255	30	3697
	45mm	S7256	30	3697
	57mm	S7257	30	3697
	70mm	S7258	30	3697
	Midi Size - Opaque			
	32mm	S7290F	20	2176
	38mm	S7291F	20	2176
	45mm	S7292F	20	2176
	57mm	S7293F	20	2176
	Closed pouch no filter			
	Standard size - Opaque			
	32mm	S7215	30	3476
	38mm	S7216	30	3476
	45mm	S7217	30	3476
	57mm	S7218	30	3476
	70mm	S7219	30	3476
	Mini size - Opaque			
	32mm	S7290	20	2027
	38mm	S7291	20	2027
	45mm	S7292	20	2027
	57mm	S7293	20	2027
	Convex inserts for use with above - see Pressure Plates			
	Drainable Pouch			
	Standard Size - Opaque			
	32mm	S7269	10	1224
	38mm	S7270	10	1224
	45mm	S7271	10	1224
	57mm	S7272	10	1224
	70mm	S7273	10	1224



## STOMA APPLIANCES

## TWO PIECE OSTOMY SYSTEMS

Manufacturer	Appliance	Order No.	Quantity	List Price p
Conva Tec Ltd	<b>Combihesive Natura</b>			
	Small Size - Opaque			
	32mm	S7279	10	1224
	38mm	S7280	10	1224
	45mm	S7281	10	1224
	57mm	S7282	10	1224
	70mm	S7283	10	1224
	Standard Size - Clear			
	32mm	S7228	10	1224
	38mm	S7229	10	1224
	45mm	S7230	10	1224
	57mm	S7231	10	1224
	70mm	S7232	10	1224
	100mm	S7233	10	2171
	Drainable Pouch with Filter			
	Standard Size - Opaque one sided for:-			
	32mm flange	S7411	10	1224
	38mm flange	S7412	10	1224
	45mm flange	S7413	10	1224
	57mm flange	S7414	10	1224
	70mm flange	S7415	10	1224
	Standard Size - Opaque for:-			
	32mm flange	S7400	10	1200
	38mm flange	S7401	10	1200
	45mm flange	S7402	10	1200
	57mm flange	S7403	10	1200
	70mm flange	S7404	10	1200
	Small Size - Opaque for:-			
	32mm flange	S7406	10	1200
	38mm flange	S7407	10	1200
	45mm flange	S7408	10	1200
	57mm flange	S7409	10	1200
	70mm flange	S7410	10	1200
	Stomahesive Flange with Flexible Hydrocolloid Collar			
	32mm	S7201	10	3192
	38mm	S7202	10	3192
	45mm	S7203	10	3192
	57mm	S7204	10	3192
	70mm	S7205	10	3192
	Urostomy Pouch with Improved Accuseal Tap			
	Standard Size - Clear for:-			
	32mm flange	S7380	10	2681
	38mm flange	S7381	10	2681
	45mm flange	S7382	10	2681
	57mm flange	S7383	10	2681
	70mm flange	S7384	10	2681
	Urostomy Pouch with Improved Accuseal Tap			
	Standard Size - Opaque for:-			
	32mm flange	S7370	10	2681
	38mm flange	S7371	10	2681
	45mm flange	S7372	10	2681
	57mm flange	S7373	10	2681

IXC

## STOMA APPLIANCES

## TWO PIECE OSTOMY SYSTEMS

Manufacturer	Appliance	Order No.	Quantity	List Price p
Conva Tec Ltd	<b>Combihesive Natura</b>			
	Small Size - Opaque for:-			
	32mm flange	S7390	10	2681
	38mm flange	S7391	10	2681
	45mm flange	S7392	10	2681
	57mm flange	S7393	10	2681
	Urostomy Pouch with Standard Tap			
	Standard Size - Clear for:-			
	32mm flange	S7350	10	2617
	38mm flange	S7351	10	2617
	45mm flange	S7352	10	2617
	57mm flange	S7353	10	2617
	70mm flange	S7354	10	2834
	100mm flange	S7355	10	3934
	Small Size - Clear for:-			
	32mm flange	S7360	10	2617
	38mm flange	S7361	10	2617
	45mm flange	S7362	10	2617
	57mm flange	S7363	10	2617
	<b>Combihesive Natura</b> Drainable Pouches with InvisiClose Outlet, Integral Filter and 2-sided Flocking			
	Standard - Opaque pre-cut			
	32mm	S7431F	30	4300
	38mm	S7432F	30	4300
	45mm	S7433F	30	4300
	57mm	S7434F	30	4300
	70mm	S7435F	30	4300
	Small - Opaque pre-cut			
	32mm	S7436F	30	4300
	38mm	S7437F	30	4300
	45mm	S7438F	30	4300
	57mm	S7439F	30	4300
	70mm	S7440F	30	4300
	<b>Combihesive Natura</b> Drainable Pouches with InvisiClose Outlet, Integral Filter and 1-sided Flocking			
	Standard - Opaque pre-cut			
	32mm	S7447F	30	4300
	38mm	S7448F	30	4300
	45mm	S7449F	30	4300
	57mm	S7450F	30	4300
	70mm	S7451F	30	4300
	<b>Combihesive Natura</b> Drainable Pouches with InvisiClose Outlet, 1-sided Flocking			
	Standard - Clear pre-cut			
	32mm	S7441N	30	4300
	38mm	S7442N	30	4300
	45mm	S7443N	30	4300
	57mm	S7444N	30	4300
	70mm	S7445N	30	4300
	<b>Combihesive Natura Little Ones</b>			
	Stomahesive Wafer with Flexible Collar			
	32mm (75mm x 75mm)	S7811	5	1529
	45mm (100mm x 100mm)	S7812	5	1529
	Closed Pouch			
	32mm	S7891	20	2051
	45mm	S7892	20	2051
	Drainable Pouch			
	32mm	S7880	10	1202
	45mm	S7881	10	1202
	Urostomy Pouch			
	32mm	S7850	10	2619

## STOMA APPLIANCES

## TWO PIECE OSTOMY SYSTEMS

Manufacturer	Appliance	Order No.	Quantity	List Price p	
Conva Tec Ltd	<b>Combihesive Natura High Output</b>				
	Drainable Pouch with Filter Opaque for:-				
	45mm	S7467	5	1959	
	57mm	S7468	5	1959	
	70mm	S7469	5	1959	
	<b>Consecura Low Profile</b>				
	Locking flange with Micropore surround				
	35mm	S601LP	5	1418	
	45mm	S602LP	5	1418	
	57mm	S603LP	5	1418	
	70mm	S604LP	5	1418	
	Stomahesive Locking Flange				
	35mm	S590LP	5	1418	
	45mm	S591LP	5	1418	
	57mm	S592LP	5	1418	
	70mm	S593LP	5	1418	
	100mm	S594LP	5	3134	
	Closed Pouch with Filter Standard Size				
	Opaque for:				
	35mm flange	S616LP	30	3566	
	45mm flange	S617LP	30	3566	
	57mm flange	S618LP	30	3566	
	70mm flange	S619LP	30	3566	
	Clear for:-				
	35mm flange	S630LP	30	3566	
	45mm flange	S631LP	30	3566	
	57mm flange	S632LP	30	3566	
	70mm flange	S633LP	30	3566	
	Drainable Pouch Standard Size				
	Opaque for:-				
	35mm flange	S606LP	10	1181	
	45mm flange	S607LP	10	1181	
	57mm flange	S608LP	10	1181	
70mm flange	S609LP	10	1181		
Clear for:-					
35mm flange	S611LP	10	1181		
45mm flange	S612LP	10	1181		
57mm flange	S613LP	10	1181		
70mm flange	S614LP	10	1181		
100mm flange	S615LP	10	2024		
Urostomy Pouch with Accuseal Tap Standard Size -					
Clear for:-					
35mm flange	S640LP	10	2575		
45mm flange	S641LP	10	2575		
57mm flange	S642LP	10	2575		
Opaque for:-					
35mm flange	S655LP	10	2575		
45mm flange	S656LP	10	2575		
57mm flange	S657LP	10	2575		
70mm flange	S658LP	10	2575		
Urostomy Pouch with Fold-up Tap Standard Size -					
Clear for:-					
35mm flange	S635LP	10	2575		
45mm flange	S636LP	10	2575		
57mm flange	S637LP	10	2575		

IXC

## STOMA APPLIANCES

## TWO PIECE OSTOMY SYSTEMS

Manufacturer	Appliance	Order No.	Quantity	List Price p
ConvaTec Ltd	<b>Esteem Synergy</b>			
	Durahesive Convex Skin Barrier with Flexible Collar Mouldable			
	13-22mm (for 13-35mm pouches)	S1180	10	3690
	22-33mm (for 13-48mm pouches)	S1181	10	3690
	33-45mm (for 13-61mm pouches)	S1182	10	3690
	Stomahesive Skin Barrier			
	cut-to-fit			
	13-35mm	S1130	10	3158
	13-48mm	S1131	10	3158
	13-61mm	S1132	10	3158
	13-89mm	S1133	10	3158
	Stomahesive Skin Barrier with Flexible Collar			
	cut-to-fit			
	13-35mm	S1100	10	3422
	13-48mm	S1101	10	3422
	13-61mm	S1102	10	3422
	pre-cut			
	19mm	S1142	10	3419
	25mm	S1144	10	3419
	32mm	S1146	10	3419
	35mm	S1147	10	3419
	38mm	S1148	10	3419
	45mm	S1150	10	3419
	Stomahesive Skin Barrier with Flexible Hydrocolloid Collar			
	cut-to-fit			
	13-35mm	S1190	10	3690
	13-48mm	S1191	10	3690
	13-61mm	S1192	10	3690
	Closed Pouch with Filter (2-sided Comfort Backing)			
	Opaque - Standard (22.8cm) for:-			
	13-35mm barrier	S1062F	30	4387
	13-48mm barrier	S1063F	30	4387
	13-61mm barrier	S1064F	30	4387
	Opaque - Small (19.8cm) for:-			
	13-35mm barrier	S1053F	30	4112
	13-48mm barrier	S1054F	30	4112
	13-61mm barrier	S1055F	30	4112
	Closed Pouch with Filter (1-sided Comfort Backing)			
	Transparent - Standard (22.8cm) for:-			
	13-35mm barrier	S1050F	30	4387
	13-48mm barrier	S1051F	30	4387
	13-61mm barrier	S1052F	30	4387
	Transparent - Small (19.8cm) for:-			
	13-35mm barrier	S1056F	30	4112
	13-48mm barrier	S1057F	30	4112
	13-61mm barrier	S1058F	30	4112

## STOMA APPLIANCES

## TWO PIECE OSTOMY SYSTEMS

Manufacturer	Appliance	Order No.	Quantity	List Price p
ConvaTec Ltd	<b>Esteem Synergy</b>			
	Closed Pouch without Filter (2-sided Comfort Backing)			
	Opaque - Standard (22.8cm) for:-			
	13-35mm barrier	S1058N	30	4112
	13-48mm barrier	S1056N	30	4112
	13-61mm barrier	S1057N	30	4112
	Opaque - Small (19.8cm) for:-			
	13-35mm barrier	S1053N	30	3558
	13-48mm barrier	S1054N	30	3558
	13-61mm barrier	S1055N	30	3558
	Closed Pouch without Filter (1-sided Comfort Backing)			
	Opaque - Mini (16.3cm) for:-			
	13-35mm barrier	S1060N	20	2376
	13-48mm barrier	S1061N	20	2376
	Drainable Pouch with InvisiClose outlet and Filter (2-sided Comfort Backing)			
	Opaque - Standard - Right (30.8cm) for:-			
	13-35mm barrier	S1210F	30	4914
	13-48mm barrier	S1211F	30	4914
	13-61mm barrier	S1212F	30	4914
	Opaque - Small - Right (27.6cm) for:-			
	13-35mm barrier	S1230F	30	4914
	13-48mm barrier	S1231F	30	4914
	Drainable Pouch with Filter (2-sided Comfort Backing)			
	Opaque - Standard - Right (30.4cm) for:-			
	13-35mm barrier	S1020F	10	1464
	13-48mm barrier	S1021F	10	1464
	13-61mm barrier	S1022F	10	1464
	Opaque - Small - Right (26.5cm) for:-			
	13-35mm barrier	S1040F	10	1464
	13-48mm barrier	S1041F	10	1464
	Drainable Pouch with InvisiClose outlet and Filter (1-sided Comfort Backing)			
	Transparent - Standard - Right (30.8cm) for:-			
	13-35mm barrier	S1220F	30	4914
	13-48mm barrier	S1221F	30	4914
	13-61mm barrier	S1222F	30	4914
	Opaque - Standard - Left (30.8cm) for:-			
	13-35mm barrier	S1215F	30	4914
	13-48mm barrier	S1216F	30	4914
	13-61mm barrier	S1217F	30	4914
	Drainable Pouch with Filter (1-sided Comfort Backing)			
	Transparent - Standard - Right (30.4cm) for:-			
	13-35mm barrier	S1005F	10	1464
	13-48mm barrier	S1006F	10	1464
	13-61mm barrier	S1007F	10	1464
	Transparent - Standard - Left (30.4cm) for:-			
	13-35mm barrier	S1001F	10	1464
	13-48mm barrier	S1002F	10	1464
	13-61mm barrier	S1003F	10	1464

IXC

**STOMA APPLIANCES****TWO PIECE OSTOMY SYSTEMS**

Manufacturer	Appliance	Order No.	Quantity	List Price p
ConvaTec Ltd	Drainable Pouch with InvisiClose outlet and no Filter (2-sided Comfort Backing)			
	Opaque - Small - Right (27.6cm) for:-			
	13-35mm barrier	S1235N	10	1585
	13-48mm barrier	S1236N	10	1585
	Drainable Pouch no Filter (2-sided Comfort Backing)			
	Opaque - Standard - Right (30.4cm) for:-			
	13-35mm barrier	S1020N	10	1416
	13-48mm barrier	S1021N	10	1416
	13-61mm barrier	S1022N	10	1416
	Opaque - Small - Right (26.5cm) for:-			
	13-35mm barrier	S1040N	10	1416
	13-48mm barrier	S1041N	10	1416
	Opaque - Standard - Left (30.4cm) for:-			
	13-35mm barrier	S1025N	10	1416
	13-48mm barrier	S1026N	10	1416
	13-61mm barrier	S1027N	10	1416
	Opaque - Small - Left (26.5cm) for:-			
	13-35mm barrier	S1045N	10	1416
	13-48mm barrier	S1046N	10	1416
	Drainable Pouch no Filter (1-sided Comfort Backing)			
	Transparent - Extra Large - Straight (35.2cm) for:-			
	13-89mm barrier	S1009N	10	2928
	Urostomy pouch with Accuseal Tap (includes 2 drain tube adapters per pack) and 1-sided comfort backing (For use with Esteem Synergy Durahesive Convex skin barrier)			
	Standard - Opaque for:-			
	13-35mm barrier	S1080	10	3500
	13-48mm barrier	S1081	10	3500
	13-61mm barrier	S1082	10	3500
	Small - Opaque for:-			
	13-35mm barrier	S1090	10	3500
	13-48mm barrier	S1091	10	3500
	Standard - Transparent for:-			
	13-35mm barrier	S1085	10	3500
	13-48mm barrier	S1086	10	3500
	13-61mm barrier	S1087	10	3500
	Small - Transparent for:-			
	13-35mm barrier	S1075	10	3500
	13-48mm barrier	S1076	10	3500

## STOMA APPLIANCES

## TWO PIECE OSTOMY SYSTEMS

Manufacturer	Appliance	Order No.	Quantity	List Price p
Dansac Ltd	<b>Dansac Nova 2 Mini</b> Closed pouch			
	Opaque			
	36mm Flange	1203-36	30	3210
	43mm Flange	1203-43	30	3210
	55mm Flange	1203-55	30	3210
	<b>Dansac Nova 2 Mini EasiFold</b> Drainable pouch			
	Opaque			
	36mm Flange	1219-36	10	1420
	43mm Flange	1219-43	10	1420
	55mm Flange	1219-55	10	1420
	Clear			
	36mm Flange	1220-36	10	1420
	43mm Flange	1220-43	10	1420
	55mm Flange	1220-55	10	1420
	<b>Nova 2 Convex Flange</b>			
	Important: this product with deep convexity should only be used after prior assessment of suitability by an appropriate medical professional.			
	<b>36mm Flange</b>			
	cut-to-fit 15-23mm	1536-15	5	1526
	pre-cut 20mm	1536-20	5	1526
	pre-cut 23mm	1536-23	5	1526
	<b>43mm Flange</b>			
	cut-to-fit 15-30mm	1543-15	5	1526
	pre-cut 25mm	1543-25	5	1526
	pre-cut 30mm	1543-30	5	1526
	<b>55mm Flange</b>			
	cut-to-fit 15-42mm	1555-15	5	1526
	pre-cut 35mm	1555-35	5	1526
	pre-cut 40mm	1555-40	5	1526
	<b>Nova 2 Easifold Drainable Pouches</b>			
	Opaque Symmetrical			
	36mm Flange	1215-36	10	1420
	43mm Flange	1215-43	10	1420
	55mm Flange	1215-55	10	1420
	70mm Flange	1215-70	10	1420
	Clear Symmetrical			
	36mm Flange	1216-36	10	1420
	43mm Flange	1216-43	10	1420
	55mm Flange	1216-55	10	1420
	70mm Flange	1216-70	10	1420
	<b>Nova 2 X3</b>			
	<b>43mm Flange</b> (3mm depth)			
	cut-to-fit (15-30mm)	1343-15	5	1526
	pre-cut 25mm	1343-25	5	1526
	<b>55mm Flange</b> (3mm depth)			
	cut-to-fit (15-42mm)	1355-15	5	1526
	pre-cut 32mm	1355-32	5	1526
	pre-cut 35mm	1355-35	5	1526
	<b>Nova 2 Soft Convex Flange</b>			
	<b>43mm Flange</b> (5mm depth)			
	pre-cut 18mm	1443-18	5	1526
	pre-cut 21mm	1443-21	5	1526
	pre-cut 25mm	1443-25	5	1526
	pre-cut 28mm	1443-28	5	1526
	<b>55mm Flange</b> (5mm depth)			
	pre-cut 32mm	1455-32	5	1526
	pre-cut 35mm	1455-35	5	1526
	pre-cut 38mm	1455-38	5	1526

IXC

## STOMA APPLIANCES

## TWO PIECE OSTOMY SYSTEMS

Manufacturer	Appliance	Order No.	Quantity	List Price p
Dansac Ltd	<b>Nova 2 Flange</b>			
	<b>36mm Flange</b>			
	starter hole 12-28mm	1136-12	5	1470
	starter hole 15-28mm	1136-15	5	1497
	pre-cut 20mm	1136-20	5	1497
	pre-cut 25mm	1136-25	5	1497
	<b>43mm Flange</b>			
	starter hole 15-35mm	1143-15	5	1497
	pre-cut 25mm	1143-25	5	1497
	pre-cut 30mm	1143-30	5	1497
	<b>55mm Flange</b>			
	starter hole 15-47mm	1155-15	5	1497
	pre-cut 35mm	1155-35	5	1497
	pre-cut 40mm	1155-40	5	1497
	<b>70mm Flange</b>			
	starter hole 15-60mm	1170-15	5	1497
	pre-cut 45mm	1170-45	5	1497
	pre-cut 50mm	1170-50	5	1497
	<b>Nova 2 Closed Pouches</b> including water repellent soft fabric cover and twin filter technology			
	<b>Opaque</b>			
	36mm Flange	1201-36	30	3778
	43mm Flange	1201-43	30	3778
	55mm Flange	1201-55	30	3778
	70mm Flange	1201-70	30	3778
	<b>Clear</b>			
	36mm Flange	1202-36	30	3778
	43mm Flange	1202-43	30	3778
	55mm Flange	1202-55	30	3778
	70mm Flange	1202-70	30	3778
	<b>Nova 2 Drainable Pouches</b> including filtration system and water repellent soft fabric covers			
	<b>Opaque</b>			
	36mm Flange	1213-36	10	1256
	43mm Flange	1213-43	10	1256
	55mm Flange	1213-55	10	1256
	70mm Flange	1213-70	10	1256
	<b>Clear</b>			
	36mm Flange	1214-36	10	1256
	43mm Flange	1214-43	10	1256
	55mm Flange	1214-55	10	1256
	70mm Flange	1214-70	10	1256
	<b>Nova 2 Sym Drainable Pouches</b> including filtration system and water repellent soft fabric covers			
	<b>Opaque</b>			
	36mm Flange	1211-36	10	1256
	43mm Flange	1211-43	10	1256
	55mm Flange	1211-55	10	1256
	70mm Flange	1211-70	10	1256
	<b>Clear</b>			
	36mm Flange	1212-36	10	1256
	43mm Flange	1212-43	10	1256
	55mm Flange	1212-55	10	1256
	70mm Flange	1212-70	10	1256



## STOMA APPLIANCES

## TWO PIECE OSTOMY SYSTEMS

Manufacturer	Appliance	Order No.	Quantity	List Price p
Dansac Ltd	<b>Nova 2 Urostomy pouch</b>			
	<b>Opaque</b>			
	36mm Flange	1217-36	10	2683
	43mm Flange	1217-43	10	2683
	55mm Flange	1217-55	10	2683
	<b>Clear</b>			
	36mm Flange	1218-36	10	2683
	43mm Flange	1218-43	10	2683
	55mm Flange	1218-55	10	2683
	<b>Unique 2 Flexi Flange</b>			
	<b>36mm Flange</b> (100mm x 100mm)			
	starter hole (15-28mm)	536-15	5	1541
	pre-cut 20mm	536-20	5	1541
	pre-cut 25mm	536-25	5	1541
	<b>43mm Flange</b> (100mm x 100mm)			
	starter hole (15-35mm)	543-15	5	1541
	pre-cut 30mm	543-30	5	1541
	<b>55mm Flange</b> (100mm x 100mm)			
	starter hole (15-47mm)	555-15	5	1541
	pre-cut 35mm	555-35	5	1541
	pre-cut 40mm	555-40	5	1541
	<b>80mm Flange</b> (125mm x 125mm)			
	starter hole (15-70mm)	580-15	5	1572
	pre-cut 45mm	580-45	5	1572
	pre-cut 50mm	580-50	5	1572
	<b>Unique 2 S Flange</b>			
	<b>30mm Flange</b> (100mm x 100mm)			
	starter hole (10-22mm)	430-10	5	1487
	pre-cut 15mm	430-15	5	1487
	<b>36mm Flange</b> (100mm x 100mm)			
	starter hole (15-28mm)	436-15	5	1487
	pre-cut 20mm	436-20	5	1487
	pre-cut 25mm	436-25	5	1487
	<b>43mm Flange</b> (100mm x 100mm)			
	starter hole (15-35mm)	443-15	5	1487
	pre-cut 30mm	443-30	5	1487
	<b>55mm Flange</b> (100mm x 100mm)			
	starter hole (15-47mm)	455-15	5	1487
	pre-cut 35mm	455-35	5	1487
	pre-cut 40mm	455-40	5	1487
	<b>80mm Flange</b> (125mm x 125mm)			
	starter hole (15-70mm)	480-15	5	1489
	pre-cut 45mm	480-45	5	1489
	pre-cut 50mm	480-50	5	1489
	<b>Unique 2 Convex Flange</b>			
	Important: This product with deep convexity should only be used after prior assessment of suitability by an appropriate medical professional.			
	<b>36mm Flange</b> (100mm x 100mm)			
	starter hole (15-25mm)	736-15	5	1544
	pre-cut 20mm	736-20	5	1544
	pre-cut 25mm	736-25	5	1544
	<b>43mm Flange</b> (100mm x 100mm)			
	starter hole (15-32mm)	743-15	5	1544
	pre-cut 25mm	743-25	5	1544
	pre-cut 30mm	743-30	5	1544
	<b>55mm Flange</b> (115mm x 115mm)			
	starter hole (15-44mm)	755-15	5	1544
	pre-cut 35mm	755-35	5	1544
	pre-cut 40mm	755-40	5	1544

IXC

## STOMA APPLIANCES

## TWO PIECE OSTOMY SYSTEMS

Manufacturer	Appliance	Order No.	Quantity	List Price p
Dansac Ltd	<b>Urostomy Drainable Pouch</b> (includes 1 Dansac Drain Tube Adaptor and 3 caps)			
	Opaque with spunlace backing for:			
	30mm Flange	401-30	10	2674
	36mm Flange	401-36	10	2674
	43mm Flange	401-43	10	2674
	55mm Flange	401-55	10	2674
	Clear with spunlace backing for:			
	30mm Flange	402-30	10	2674
	36mm Flange	402-36	10	2674
	43mm Flange	402-43	10	2674
	55mm Flange	402-55	10	2674
	<b>Unique 2 Closed Pouch</b>			
	Opaque with spunlace cover next to skin for:			
	36mm Flange	501-36	30	3766
	43mm Flange	501-43	30	3766
	55mm Flange	501-55	30	3766
	80mm Flange	501-80	30	3766
	Clear with spunlace cover next to skin for:			
	36mm Flange	502-36	30	3766
	43mm Flange	502-43	30	3766
	55mm Flange	502-55	30	3766
	80mm Flange	502-80	30	3766
	<b>Unique 2 Plus Closed Pouch</b>			
	Opaque with spunlace cover front and back for:			
	36mm Flange	505-36	30	3685
	43mm Flange	505-43	30	3685
	55mm Flange	505-55	30	3685
	80mm Flange	505-80	30	3685
	<b>Unique 2 Mini Closed Pouch</b>			
	Opaque with spunlace cover front and back for:			
	36mm Flange	503-36	30	3129
	43mm Flange	503-43	30	3129
	55mm Flange	503-55	30	3129
	<b>Unique 2 MiniCap</b>			
	Opaque for:			
	36mm Flange	507-36	30	3283
	43mm Flange	507-43	30	3283
	55mm Flange	507-55	30	3283
	<b>Unique 2 Drainable Regular</b>			
	Opaque with spunlace cover next to skin for:			
	36mm Flange	511-36	10	1245
	43mm Flange	511-43	10	1245
	55mm Flange	511-55	10	1245
	80mm Flange	511-80	10	1245
	Clear with spunlace cover next to skin for:			
	36mm Flange	512-36	10	1245
	43mm Flange	512-43	10	1245
	55mm Flange	512-55	10	1245
	80mm Flange	512-80	10	1245

## STOMA APPLIANCES

## TWO PIECE OSTOMY SYSTEMS

Manufacturer	Appliance	Order No.	Quantity	List Price p
Dansac Ltd	<b>Unique 2 Drainable Large</b>			
	Opaque with spunlace cover next to skin for:			
	36mm Flange	521-36	10	1245
	43mm Flange	521-43	10	1245
	55mm Flange	521-55	10	1245
	80mm Flange	521-80	10	1245
	Clear with spunlace cover next to skin for:			
	36mm Flange	522-36	10	1245
	43mm Flange	522-43	10	1245
	55mm Flange	522-55	10	1245
	80mm Flange	522-80	10	1245
	<b>InVent 2 - Drainable with filter</b> , soft spunlace backing on both sides, anatomically shaped			
	Opaque			
	36mm Flange	513-36	10	1200
	43mm Flange	513-43	10	1200
	55mm Flange	513-55	10	1200
	<b>InVent 2 Mini Drainable with filter</b> , soft spun lace material on both sides, anatomically shaped			
	Opaque			
	36mm Flange	519-36	10	1203
	43mm Flange	519-43	10	1203
	55mm Flange	519-55	10	1203
	<b>InVent 2 Sym - Drainable Symmetrical pouch with filter</b> , soft spunlace backing, symmetrically shaped			
	Opaque			
	36mm Flange	515-36	10	1221
	43mm Flange	515-43	10	1221
	55mm Flange	515-55	10	1221
	Clear			
	36mm Flange	516-36	10	1221
	43mm Flange	516-43	10	1221
	55mm Flange	516-55	10	1221
	80mm Flange	518-80	10	1221

IXC

## STOMA APPLIANCES

## TWO PIECE OSTOMY SYSTEMS

Manufacturer	Appliance	Order No.	Quantity	List Price p
Hollister Ltd	<b>Conform 2</b>			
	Fixed Flange			
	35mm flange 13-30mm stoma	23100	5	1444
	35mm flange 20mm stoma	23120	5	1444
	35mm flange 25mm stoma	23125	5	1444
	35mm flange 30mm stoma	23130	5	1444
	45mm flange 30mm stoma	24130	5	1444
	45mm flange 13-40mm stoma	24100	5	1444
	55mm flange 13-50mm stoma	25100	5	1444
	55mm flange 45mm stoma	25145	5	1444
	70mm flange 13-65mm stoma	27100	5	1444
	Flex Wear Flange			
	35mm fixed flange 20mm	33120	5	1447
	35mm fixed flange 25mm	33125	5	1447
	35mm fixed flange 30mm	33130	5	1447
	45mm fixed flange 13-40mm	34100	5	1447
	45mm fixed flange 35mm	34135	5	1447
	45mm fixed flange 40mm	34140	5	1447
	55mm fixed flange 13-40mm	35200	5	1447
	Floating Flange			
	45mm flange 13-30mm stoma	24200	5	1444
	55mm flange 13-40mm stoma	25200	5	1444
	70mm flange 13-55mm stoma	27200	5	1444
	Convex-Floating Flange			
	45mm flange 13-25mm stoma	24300	5	1549
	45mm flange 22mm stoma	24322	5	1549
	45mm flange 25mm stoma	24325	5	1549
	55mm flange 13-38mm stoma	25300	5	1549
	55mm flange 29mm stoma	25329	5	1549
	55mm flange 32mm stoma	25332	5	1549
	70mm flange 15-51mm stoma	27300	5	1549
	Closed Pouch			
	With beige comfort backing			
	45mm	24400	30	3499
	55mm	25400	30	3499
	70mm	27400	30	3499
	transparent front, beige comfort backing on body worn side			
	45mm	24500	30	3499
	55mm	25500	30	3499
	70mm	27500	30	3499
	Drainable Pouch			
	Transparent			
	45mm	24600	10	1178
	55mm	25600	10	1178
	70mm	27600	10	1178
	Drainable Pouch with Filter - anatomical shape			
	Beige			
	35mm	23720	30	3668
	45mm	24720	30	3668
	55mm	25720	30	3668

## STOMA APPLIANCES

## TWO PIECE OSTOMY SYSTEMS

Manufacturer	Appliance	Order No.	Quantity	List Price p
Hollister Ltd	<b>Conform 2</b>			
	Transparent			
	35mm	23820	30	3668
	45mm	24820	30	3668
	55mm	25820	30	3668
	Beige with comfort backing on both sides			
	45mm	24420	30	3969
	55mm	25420	30	3969
	70mm	27420	30	3969
	Mini Drainable Pouch with Filter, Beige			
	35mm	23710	30	3668
	45mm	24710	30	3668
	55mm	25710	30	3668
	Urostomy Pouches			
	Beige			
	35mm	23730	10	2648
	45mm	24730	10	2648
	55mm	25730	10	2648
	Transparent			
	35mm	23830	10	2648
	45mm	24830	10	2648
	55mm	25830	10	2648
	<b>Conform 2 with Lock'n'Roll Closure</b>			
	Drainable Pouch, anatomical shape with integral filter and Lock and Roll closure system			
	Midi - Beige with comfort backing on both sides			
	35mm	23750	30	4222
	45mm	24750	30	4222
	55mm	25750	30	4222
	Midi - Transparent with comfort backing on body side only			
	35mm	23850	30	4222
	45mm	24850	30	4222
	55mm	25850	30	4222
	Drainable Pouch, symmetrical shape with integral filter and Lock and Roll closure system			
	Mini - Beige with comfort backing on both sides			
	35mm	23743	30	3750
	45mm	24743	30	3750
	55mm	25743	30	3750
	Maxi - Beige with comfort backing on both sides			
	35mm	23760	30	4300
	45mm	24760	30	4300
	55mm	25760	30	4300
	70mm	27760	30	4300
	Maxi - Transparent with comfort backing on body side only			
	35mm	23860	30	4300
	45mm	24860	30	4300
	55mm	25860	30	4300
	70mm	27860	30	4300

IXC

## STOMA APPLIANCES

## TWO PIECE OSTOMY SYSTEMS

Manufacturer	Appliance	Order No.	Quantity	List Price p
Hollister Ltd	<b>Tandem Range</b>			
	Floating Flange - Barrier and adhesive			
	cut-to-fit			
	25mm	3727	5	1475
	32mm	3722	5	1475
	44mm	3723	5	1475
	57mm	3724	5	1475
	89mm	3726	5	1530
	pre-cut			
	19mm	3747	5	1475
	25mm	3742	5	1475
	32mm	3748	5	1475
	38mm	3743	5	1475
	44mm	3749	5	1475
	Floating Flange - Barrier only			
	cut-to-fit			
	25mm	3767	5	1475
	32mm	3762	5	1475
	44mm	3763	5	1475
	57mm	3764	5	1475
	89mm	3766	5	1530
	<b>Tandem Range - Impression CPL</b>			
	<b>Convex Flange</b>			
	Convex Flange			
	pre-cut			
	13mm	3730	5	1579
	16mm	3731	5	1579
	19mm	3732	5	1579
	22mm	3733	5	1579
	25mm	3734	5	1579
	29mm	3735	5	1579
	32mm	3736	5	1579
	35mm	3737	5	1579
	38mm	3738	5	1579
	41mm	3739	5	1579
	44mm	37310	5	1579
	51mm	37311	5	1579
	Convex Flange - Barrier only			
	pre-cut			
	13mm	3780	5	1579
	16mm	3781	5	1579
	19mm	3782	5	1579
	22mm	3783	5	1579
	25mm	3784	5	1579
	29mm	3785	5	1579
	32mm	3786	5	1579
	35mm	3787	5	1579
	38mm	3788	5	1579

## STOMA APPLIANCES

## TWO PIECE OSTOMY SYSTEMS

Manufacturer	Appliance	Order No.	Quantity	List Price p	
Hollister Ltd	<b>Tandem Range - Impression CPL Pouches</b>				
	cut-to-fit				
		Up to 25mm	3794	5	1579
		Up to 38mm	3798	5	1579
		Up to 51mm	37911	5	1579
	Closed Pouch				
	Beige - with filter and comfort backing on both sides				
		44mm	3342	30	3636
		57mm	3343	30	3636
		70mm	3344	30	3636
	Drainable Pouch				
	Transparent - with comfort backing on body-worn side only				
		38mm	3807	10	1224
		44mm	3802	10	1224
		57mm	3803	10	1224
		70mm	3804	10	1224
		102mm	3806	10	2353
	Beige - with comfort backing on both sides				
		38mm	3817	10	1224
		44mm	3812	10	1224
		57mm	3813	10	1224
		70mm	3814	10	1224
	Urostomy Pouch				
	Transparent - with comfort backing on the body-worn side				
		38mm	3907	10	2695
		44mm	3902	10	2695
		57mm	3903	10	2695
	70mm	3904	10	2695	
Mentor Medical Ltd	Beta 2 Piece kit	32-294-08	1	5903	
	Beta 2 Piece spare bags	32-294-16	90	16253	
Oakmed Ltd	<b>Option Connect 2</b>				
	Option Connect 2 Skin Wafer				
	cut-to-fit				
		15mm-45mm	JH0015	10	3255
	pre-cut				
		20mm	JH0020	10	3255
		25mm	JH0025	10	3255
		30mm	JH0030	10	3255
		35mm	JH0035	10	3255
		40mm	JH0040	10	3255
		45mm	JH0045	10	3255
	Colostomy with Filter and Soft Covering to both sides				
		To fit up to 45mm Stoma	JH600	30	4060
	Colostomy with Filter and Soft Covering to both sides includes a window				
		To fit up to 45mm Stoma	JH610	30	4060
Colostomy with Filter and Soft Covering to one side Clear					
	To fit up to 45mm Stoma	JH620	30	4060	

IXC

## STOMA APPLIANCES

## TWO PIECE OSTOMY SYSTEMS

Manufacturer	Appliance	Order No.	Quantity	List Price p
Oakmed Ltd	Colostomy Mini with Filter and Soft Covering to both sides To fit up to 45mm Stoma	JH500	30	3939
	Colostomy Mini with Filter and Soft Covering to both sides includes a window To fit up to 45mm Stoma	JH510	30	3939
	Colostomy Mini with Filter and Soft Covering to one side Clear To fit up to 45mm Stoma	JH520	30	3939
	Colostomy Plus with Filter and Soft Covering to both sides To fit up to 45mm Stoma	JH700	30	4193
	Colostomy Plus with Filter and Soft Covering to both sides includes a window To fit up to 45mm Stoma	JH710	30	4193
	Colostomy Plus with Filter and Soft Covering to one side Clear To fit up to 45mm Stoma	JH720	30	4193
	Ileostomy with Filter and Soft Covering to both sides To fit up to 45mm Stoma	JH300	30	4509
	Ileostomy with Filter and Soft Covering to both sides includes a window To fit up to 45mm Stoma	JH310	30	4509
	Ileostomy with Filter and Soft Covering to one side Clear To fit up to 45mm Stoma	JH320	30	4509
	Ileostomy Midi with Filter and Soft Covering to both sides To fit up to 45mm Stoma	JH200	30	4476
	Ileostomy Midi with Filter and Soft Covering to both sides includes a window To fit up to 45mm Stoma	JH210	30	4476
	Ileostomy Midi with Filter and Soft Covering to one side Clear To fit up to 45mm Stoma	JH220	30	4476
	Ileostomy Mini with Filter and Soft Covering to both sides To fit up to 45mm Stoma	JH100	30	4204
	Ileostomy Mini with Filter and Soft Covering to both sides includes a window To fit up to 45mm Stoma	JH110	30	4204
	Ileostomy Mini with Filter and Soft Covering to one side Clear To fit up to 45mm Stoma	JH120	30	4204
	Stoma Cap Soft Cover with Filter	JH900	30	4060
	Option Connect 2 Skin Wafer cut-to-fit 20mm-90mm	JH0090 Oval	10	9313
	<b>Option Connect 2 PL</b> Ileostomy Opaque 20mm-90mm	JHPL90	20	10062



## STOMA APPLIANCES

## TWO PIECE OSTOMY SYSTEMS

Manufacturer	Appliance	Order No.	Quantity	List Price p
Oakmed Ltd	<b>Option Connect 2 Alginate Skin Wafer</b>			
	cut-to-fit			
	15mm - 45mm	AJH0015	10	3690
	pre-cut			
	20mm	AJH0020	10	3690
	25mm	AJH0025	10	3690
	30mm	AJH0030	10	3690
	35mm	AJH0035	10	3690
	40mm	AJH0040	10	3690
	45mm	AJH0045	10	3690
	<b>Option Connect 2 Microskin Skin Wafer</b>			
	cut-to-fit			
	15mm - 45mm	MJH0015	10	3690
	pre-cut			
	20mm	MJH0020	10	3690
	25mm	MJH0025	10	3690
	30mm	MJH0030	10	3690
	35mm	MJH0035	10	3690
	40mm	MJH0040	10	3690
	45mm	MJH0045	10	3690
	<b>Option Connect 2 Ileostomy with Velcro Fastening</b>			
	To fit upto 45mm stoma	VJH310	30	4828
	<b>Option Range</b>			
	Option Flange			
	50mm	F500K	5	1382
	70mm	F700K	5	1382
	Colostomy with Filter and Soft Covering to both sides Opaque for:-			
	50mm flange	CA50K	30	3475
	Colostomy Plus with Filter and Soft Covering to one side Clear for:-			
	70mm flange	CD70K	30	3490
	Colostomy Plus with Filter and Soft Covering to both sides Opaque for:-			
	70mm flange	CC70K	30	3531
	Colostomy Plus with Soft Covering to both sides Opaque for:-			
	50mm flange	CH50K	30	3470
	Ileostomy Midi with Filter and Soft Covering to one side Clear for:-			
	50mm flange	IG50K	30	3490
	70mm flange	IG70K	30	3490
	Ileostomy with filter and Soft Covering to one side Clear for:-			
	50mm flange	IB50K	30	3490
	70mm flange	IB70K	30	3490
	Ileostomy Midi with Filter and Soft Covering to both sides Opaque for:-			
	50mm flange	ID50K	30	3511
	70mm flange	ID70K	30	3511
	Ileostomy with Filter and Soft Covering to both sides Opaque for:-			
	50mm flange	IA50K	30	3511
	70mm flange	IA70K	30	3511

IXC

## STOMA APPLIANCES

## TWO PIECE OSTOMY SYSTEMS

Manufacturer	Appliance	Order No.	Quantity	List Price p
Salts Healthcare	<b>Black Rubber Bag</b> (for use with flange)			
	Screw outlet			
	Large	362129	1	3539 △
	Small	362229	1	3539 △
	Special	362099	1	3676 △
	Spout outlet			
	Large	372129	1	2472 △
	Small	372229	1	2472 △
	<b>White Rubber Bag</b> (for use with flange)			
	Screw outlet			
	Small	461229	1	1178 △
	Tap outlet			
	Medium	482329	1	1275 △
	<b>Second Nature</b> Wafer 110 x 100mm			
	32mm flange	2FL32	5	1299 △
	38mm flange	2FL38	5	1299 △
	45mm flange	2FL45	5	1299 △
	Wafer 134 x 124m			
	57mm flange	2FL57	5	1299 △
	Wafer 151 x 140mm			
	70mm flange	2FL70	10	2932 △
	Convex inserts for use with above - see "Pressure Plates"			
	<b>Second Nature</b> Closed Pouches			
	Opaque for:			
	32mm Flange	2C32	30	3789 △
	38mm Flange	2C38	30	3789 △
	45mm Flange	2C45	30	3789 △
	57mm Flange	2C57	30	3789 △
	Transparent/overlap film for:			
	45mm Flange	2CT45	30	3789 △
	57mm Flange	2CT57	30	3789 △
	Large 70mm Flange	2CLT70	30	3724 △
	Transparent/no overlap			
	Large 70mm Flange	2CLTT70	30	3724 △
	<b>Second Nature</b> Drainable Pouches			
	Opaque for:			
	32mm Flange	2D32	30	3725 △
	38mm Flange	2D38	30	3725 △
	45mm Flange	2D45	30	3725 △
	57mm Flange	2D57	30	3725 △
	Transparent/overlap film for:			
	45mm Flange	2DT45	30	3725 △
	57mm Flange	2DT57	30	3725 △
	Transparent/overlap film			
	Large 70mm Flange	2DLT70	30	3660 △
	Transparent/no overlap			
	Large 70mm Flange	2DLTT70	30	3660 △
<b>Second Nature</b> Mini Closed Pouches				
Opaque for:				
32mm Flange	2CM32	30	3157 △	
38mm Flange	2CM38	30	3157 △	
45mm Flange	2CM45	30	3157 △	
57mm Flange	2CM57	30	3157 △	
<b>Second Nature</b> Mini Drainable Pouches				
Opaque for:				
32mm Flange	2DM32	30	3619 △	
38mm Flange	2DM38	30	3619 △	
45mm Flange	2DM45	30	3619 △	
57mm Flange	2DM57	30	3619 △	

## STOMA APPLIANCES

## TWO PIECE OSTOMY SYSTEMS

Manufacturer	Appliance	Order No.	Quantity	List Price p	
Salts Healthcare	<b>Second Nature</b> Urostomy Pouch - transparent/overlap (includes 2 drain tube connectors per pack)				
	32mm Flange	2U32	10	2639 △	
	38mm Flange	2U38	10	2639 △	
	45mm Flange	2U45	10	2639 △	
	57mm Flange	2U57	10	2639 △	
	<b>Secuplast</b> Circular Plasters				
	32mm	SP32	10	1096 △	
	38mm	SP38	10	1096 △	
	45mm	SP45	10	1096 △	
	57mm	SP57	10	1096 △	
	70mm	SP70	10	1078 △	
	<b>Secu-Ring</b> to fit:				
	32mm Flange	SR32	10	1154 △	
	38mm Flange	SR38	10	1154 △	
	45mm Flange	SR45	10	1154 △	
	57mm Flange	SR57	10	1154 △	
	70mm Flange	SR70	10	1133 △	
	Welland Medical Ltd	<b>Silhouette 2</b> closed pouch with soft backing and filter			
		Beige			
45mm		UNC545	30	3481	
60mm		UNC560	30	3481	
<b>Silhouette 2</b> drainable pouch with soft backing and filter					
Beige					
45mm		UNF545	30	3535	
60mm		UNF560	30	3535	
<b>Silhouette 2</b> urostomy pouch with soft backing and tap					
Beige					
45mm		UNU945	10	2589 △	
Clear					
45mm		UNU745	10	2589 △	
60mm		UNU760	10	2494	
<b>Silhouette 2</b> urostomy hydrocolloid flange					
45mm Flange starter hole		UUU413	5	1292 △	
60mm Flange starter hole		UUU613	5	1243	
<b>Silhouette 2</b> hydrocolloid flange					
45mm Flange					
starter hole		UNH410	5	1305	
pre-cut 25mm		UNH425	5	1305	
pre-cut 32mm		UNH432	5	1305	
pre-cut 38mm		UNH438	5	1305	
60mm Flange					
starter hole		UNH610	5	1305	
pre-cut 32mm		UNH632	5	1305	
pre-cut 44mm		UNH644	5	1305	
pre-cut 51mm		UNH651	5	1305	
pre-cut 57mm		UNH657	5	1305	
<b>Silhouette 2</b> dual adhesive flange					
45mm Flange					
starter hole		UNB410	5	1305	
pre-cut 25mm		UNB425	5	1305	
pre-cut 32mm	UNB432	5	1305		
pre-cut 38mm	UNB438	5	1305		
60mm Flange					
starter hole	UNB610	5	1305		
pre-cut 32mm	UNB632	5	1305		
pre-cut 44mm	UNB644	5	1305		
pre-cut 51mm	UNB651	5	1305		
pre-cut 57mm	UNB657	5	1305		

IXC

## STOMA APPLIANCES

## UROSTOMY BAGS

Manufacturer	Appliance	Order No.	Quantity	List Price p
C S Bullen Ltd	<b>Lenbul</b>			
	Bag with tap			
	Day	U5	1	1536
	Night	U6	1	1754
	Bag with large opening			
	Day	U7	1	1594
	Night	U8	1	1821
Coloplast Ltd	<b>Assura</b> (include 4 drain tube adaptors per pack)			
	Urostomy Bag with Soft Backing			
	Midi Clear with soft backing on body-worn side cut-to-fit 10-55mm	2550	30	13779
	Midi Eu with soft backing on body-worn side cut-to-fit 10-55mm	2540	30	13779
	Maxi Clear with soft backing on body-worn side cut-to-fit 10-55mm	2570	30	13779
	Maxi Opaque with soft backing on body-worn side cut-to-fit 10-55mm	2560	30	13779
	Paediatric Clear with soft backing on body-worn side cut-to-fit 10-35mm	2135	30	13779
	Paediatric Opaque with soft backing on body-worn side cut-to-fit 10-35mm	2130	30	13779
	<b>Assura Seal Integral Convexity Urostomy Bag</b>			
	Maxi Clear			
	15mm	12991	10	4386
	18mm	12992	10	4386
	21mm	12993	10	4386
	25mm	12994	10	4386
	28mm	12995	10	4386
	31mm	12996	10	4386
	Maxi Transparent starter hole			
	15-33mm	12595	10	4386
	15-43mm	12596	10	4386
	pre-cut 35mm	12997	10	4386
	<b>Assura Soft Seal Multichamber One piece</b>			
	Important: This product with integral convexity should only be used after prior assessment of suitability by an appropriate medical professional.			
	Maxi Transparent			
	15-33mm	14716	10	5600
	15-43mm	14717	10	5600
	Maxi White			
	15-33mm	14712	10	5600
	15-43mm	14713	10	5600
	<b>Assura Multichamber One Piece</b>			
	Urostomy Bag with Soft Backing			
Midi Transparent cut-to-fit 10-55mm	14212	30	16800	
Maxi Transparent cut-to-fit 10-55mm	14222	30	16800	
Midi White cut-to-fit 10-55mm	14211	30	16800	
Maxi White cut-to-fit 10-55mm	14221	30	16800	

## STOMA APPLIANCES

## UROSTOMY BAGS

Manufacturer	Appliance	Order No.	Quantity	List Price p
ConvaTec Ltd	<b>Esteem</b> Urostomy pouch with Fold-Up Tap (includes 2 drain tube adapters per pack)			
	Standard - Opaque			
	cut-to-fit			
	13-45mm	S5140	10	4887
	pre-cut			
	20mm	S5141	10	4887
	25mm	S5142	10	4887
	30mm	S5143	10	4887
	35mm	S5144	10	4887
	Small -Opaque			
	cut-to-fit			
	13-45mm	S5120	10	4887
	pre-cut			
	20mm	S5121	10	4887
	25mm	S5122	10	4887
	30mm	S5123	10	4887
	35mm	S5124	10	4887
	Standard-Transparent			
	cut-to-fit			
	13-45mm	S5130	10	4977
	pre-cut			
	20mm	S5131	10	4977
	25mm	S5132	10	4977
	30mm	S5133	10	4977
	35mm	S5134	10	4977
	Small-Transparent			
	cut-to-fit			
	13-45mm	S5110	10	4977
	pre-cut			
	20mm	S5111	10	4977
	25mm	S5112	10	4977
	30mm	S5113	10	4977
	35mm	S5114	10	4977
	<b>Urodress</b>			
	19mm	S896	10	4977
	25mm	S897	10	4977
	32mm	S898	10	4977
	38mm	S899	10	4977
	45mm	S900	10	4977
	<b>Urodress Deep Convex</b> Urostomy Pouch			
	Clear Standard			
	16mm	S910	5	2191
	19mm	S911	5	2191
	22mm	S912	5	2191
	25mm	S913	5	2191
	28mm	S914	5	2191
	32mm	S915	5	2191
	35mm	S916	5	2191
	38mm	S917	5	2191

IXC

## STOMA APPLIANCES

## UROSTOMY BAGS

Manufacturer	Appliance	Order No.	Quantity	List Price p
Dansac Ltd	<b>Dansac Nova 1</b> Convex Urostomy pouch with 6mm convex depth			
	Clear			
	cut-to-fit			
	15-24mm	894-24	10	5200
	15-37mm	894-37	10	5200
	15-46mm	894-46	10	5200
	pre-cut			
	20mm	894-20	10	5200
	25mm	894-25	10	5200
	30mm	894-30	10	5200
	<b>Nova 1</b> Urostomy pouch with 3mm soft convexity			
	Clear			
	pre-cut			
	15mm	892-15	10	4968
	20mm	892-20	10	4968
	25mm	892-25	10	4968
	30mm	892-30	10	4968
	Opaque			
	cut-to-fit			
	12-46mm	891-12	10	5057
	pre-cut			
	15mm	891-15	10	5057
	20mm	891-20	10	5057
	25mm	891-25	10	5057
	30mm	891-30	10	5057
	Transparent			
	cut-to-fit			
	12-46mm	892-12	10	5057
DBT Medical Ltd (formerly Rusch UK)	Birkbeck Black Rubber			
	Day Bag			
	19mm	LM 723125	1	3329
	Pink Rubber			
	Day Bag			
	19mm	LM 724125	1	3329
	Night Bag			
	19mm	LM 724175	1	3631
	White Rubber Glasgow Bag			
	Small tap	LM 884230	1	2208
	Large tap	LM 884232	1	2208
	White Rubber Transverse			
	Bag Right			
	Small	LM 884104	1	2208
	Medium	LM 884105	1	2208
	Large	LM 884106	1	2208
	White Rubber Transverse			
	Bag Left			
	Small	LM 884114	1	2208
	Medium	LM 884115	1	2208
	Large	LM 884116	1	2208

## STOMA APPLIANCES

## UROSTOMY BAGS

Manufacturer	Appliance	Order No.	Quantity	List Price p
Hollister Ltd	<b>Compact</b> Urostomy Pouch (All include 1 drain tube per pack) Clear-with beige comfort backing on body-worn side cut-to-fit 13-64mm	1400	10	5040
	Transparent-with beige comfort backing on body-worn side cut-to-fit 13-64mm	1401	10	5040
	pre-cut 13mm	1440	10	5040
	16mm	1441	10	5040
	19mm	1447	10	5040
	25mm	1442	10	5040
	32mm	1448	10	5040
	38mm	1443	10	5040
	44mm	1449	10	5040
	<b>First Choice</b> Urostomy Pouch Urostomy Pouch with microporous II adhesive and synthetic skin barrier cut-to-fit 13-64mm	1460	10	5170
	<b>Lo-Profile</b> With Microporous II Adhesive and Karaya 5 Seal Gasket Size: 25mm	1432	10	5695
	32mm	1438	10	5695
	38mm	1433	10	5695
	44mm	1439	10	5695
	51mm	1434	10	5695
	<b>Impression</b> With Convex wafer (transparent) 16mm	1481	10	5270
	19mm	1482	10	5270
	22mm	1483	10	5270
	25mm	1484	10	5270
	29mm	1485	10	5270
	32mm	1486	10	5270
	35mm	1487	10	5270
	38mm	1488	10	5270
	44mm	1489	10	5270
	<b>Impression "C"</b> with convex wafer Transparent with beige comfort backing on body-worn side 13mm	1450	10	4517
	16mm	1451	10	4517
	19mm	1452	10	4517
	22mm	1453	10	4517
	25mm	1454	10	4517
	29mm	1455	10	4517
	32mm	1456	10	4517
	35mm	1457	10	4517
	38mm	1458	10	4517
	44mm	1459	10	4517
	51mm	14510	10	4517

IXC

## STOMA APPLIANCES

## UROSTOMY BAGS

Manufacturer	Appliance	Order No.	Quantity	List Price p
Hollister Ltd	<b>Moderma Flex</b>			
	Beige			
	15-55mm	29100	10	4829
	20mm	29120	10	4829
	25mm	29125	10	4829
	30mm	29130	10	4829
	35mm	29135	10	4829
	Transparent			
	15-55mm	29500	10	4829
	<b>Moderma Flex with Adapt conformable convex rings</b>			
	Urostomy pouch with flexible barrier plus Adapt conformable convex ring			
	Beige - with comfort backing on both sides			
	cut-to-fit			
	20-29mm + 20mm ring	29820	20	13909
	30-39mm + 30mm ring	29830	20	13909
	40-49mm + 40mm ring	29840	20	13909
	Transparent - with comfort backing on body side only			
	cut-to-fit			
	20-29mm + 20mm ring	29920	20	13909
	30-39mm + 30mm ring	29930	20	13909
	40-49mm + 40mm ring	29940	20	13909
	<b>Moderma Flex Convex</b>			
	Midi urostomy pouch with integral convexity, symmetrical shape			
	Beige with comfort backing on both sides			
	cut-to-fit			
	15-25mm	29200	10	4950
	15-38mm	29201	10	4950
	pre-cut			
	20mm	29220	10	4950
	25mm	29225	10	4950
	30mm	29230	10	4950
	35mm	29235	10	4950
	Transparent with comfort backing on body worn side			
	cut-to-fit			
	15-25mm	29300	10	4950
	15-38mm	29301	10	4950
	pre-cut			
	20mm	29320	10	4950
	25mm	29325	10	4950
	30mm	29330	10	4950
	35mm	29335	10	4950
Jade-Euro-Med Ltd	White rubber urostomy bags			
	Night bag tap outlet	KM 47	1	2003
	Day bag tap outlet	KM 45	1	1748
	Black Butyl bag odourless			
	Day bag tap outlet	KM 39	1	3498



## STOMA APPLIANCES

## UROSTOMY BAGS

Manufacturer	Appliance	Order No.	Quantity	List Price p
Marlen USA	<b>Ultra</b>			
	Transparent			
	starter hole			
	Small 12mm	761312	10	4063
	Large 12mm	762312	10	4063
	Small Bag Transparent			
	Flat pre-cut			
	12mm	761412	10	4063
	16mm	761416	10	4063
	19mm	761419	10	4063
	22mm	761422	10	4063
	25mm	761425	10	4063
	29mm	761429	10	4063
	32mm	761432	10	4063
	34mm	761434	10	4063
	38mm	761438	10	4063
	41mm	761441	10	4063
	44mm	761444	10	4063
	48mm	761448	10	4063
	50mm	761450	10	4063
	54mm	761454	10	4063
	57mm	761457	10	4063
	60mm	761460	10	4063
	63mm	761463	10	4063
	67mm	761467	10	4063
	70mm	761470	10	4063
	73mm	761473	10	4063
	76mm	761476	10	4063
	Large Bag Transparent			
	Flat pre-cut			
	12mm	762412	10	4063
	16mm	762416	10	4063
	19mm	762419	10	4063
	22mm	762422	10	4063
	25mm	762425	10	4063
	29mm	762429	10	4063
	32mm	762432	10	4063
	34mm	762434	10	4063
	38mm	762438	10	4063
	41mm	762441	10	4063
	44mm	762444	10	4063
	48mm	762448	10	4063
	50mm	762450	10	4063
	54mm	762454	10	4063
	57mm	762457	10	4063
	60mm	762460	10	4063
	63mm	762463	10	4063
	67mm	762467	10	4063
	70mm	762470	10	4063
	73mm	762473	10	4063
	76mm	762476	10	4063

IXC

## STOMA APPLIANCES

## UROSTOMY BAGS

Manufacturer	Appliance	Order No.	Quantity	List Price p	
Marlen USA	Small Bag Transparent				
	Shallow Convex				
	12mm	761512	10	4063	
	16mm	761516	10	4063	
	19mm	761519	10	4063	
	22mm	761522	10	4063	
	25mm	761525	10	4063	
	29mm	761529	10	4063	
	32mm	761532	10	4063	
	34mm	761534	10	4063	
	38mm	761538	10	4063	
	41mm	761541	10	4063	
	44mm	761544	10	4063	
	48mm	761548	10	4063	
	50mm	761550	10	4063	
	54mm	761554	10	4063	
	57mm	761557	10	4063	
	60mm	761560	10	4063	
	63mm	761563	10	4063	
	67mm	761567	10	4063	
	70mm	761570	10	4063	
	73mm	761573	10	4063	
	76mm	761576	10	4063	
		Large Bag Transparent			
		Shallow Convex			
		12mm	762512	10	4063
		16mm	762516	10	4063
		19mm	762519	10	4063
		22mm	762522	10	4063
		25mm	762525	10	4063
		29mm	762529	10	4063
		32mm	762532	10	4063
		34mm	762534	10	4063
		38mm	762538	10	4063
		41mm	762541	10	4063
		44mm	762544	10	4063
		48mm	762548	10	4063
		50mm	762550	10	4063
		54mm	762554	10	4063
		57mm	762557	10	4063
		60mm	762560	10	4063
		63mm	762563	10	4063
		67mm	762567	10	4063
		70mm	762570	10	4063
		73mm	762573	10	4063
		76mm	762576	10	4063



## STOMA APPLIANCES

## UROSTOMY BAGS

Manufacturer	Appliance	Order No.	Quantity	List Price p
Mentor Medical Ltd	<b>Mitcham</b>			
	Maxi			
	adhesive			
	25mm	WH119-25-G	10	4551
	32mm	WH119-32-D	10	4551
	38mm	WH119-38-R	10	4551
	non-adhesive			
	25mm	WH009-25-U	10	3716
	32mm	WH009-32-R	10	3716
	38mm	WH009-38-E	10	3716
	Mini			
	adhesive			
	19mm	WH116-19-Y	10	4551
	† 25mm	WH116-25-T	10	4551
	32mm	WH116-32-Q	10	4551
	non-adhesive			
	25mm	WH005-25-C	10	3716
	32mm	WH005-32-Y	10	3716
	Standard			
	adhesive			
	19mm	WH111-19-C	10	4551
	25mm	WH111-25-W	10	4551
	32mm	WH111-32-T	10	4551
	38mm	WH111-38-G	10	4551
	non-adhesive			
	19mm	WH002-19-U	10	3716
	25mm	WH002-25-P	10	3716
	32mm	WH002-32-L	10	3716
	38mm	WH002-38-Y	10	3716
	* With Foam Pads			
	*Replacement Bags for Surrey Urinal on page 217			
	non-adhesive			
	25mm	WH012-25-U	1	626
	32mm	WH012-32-R	1	626
	38mm	WH012-38-E	1	626
	<b>Rediflow</b>			
	adhesive			
	19mm	WG001-19-H	20	6686
	25mm	WG001-25-C	20	6686
	32mm	WG001-32-Y	20	6686
	38mm	WG001-38-M	20	6686
	44mm	WG001-44-G	20	6686
	51mm	WG001-51-D	20	6686

† to be deleted 1 April 2006

## STOMA APPLIANCES

## UROSTOMY BAGS

Manufacturer	Appliance	Order No.	Quantity	List Price p	
Oakmed Ltd	<b>Option</b> Urostomy with soft covering to both sides with window				
	cut-to-fit 13-50mm	GC1300	20	8546	
	pre-cut 16mm	GC1600	20	8546	
	19mm	GC1900	20	8546	
	22mm	GC2200	20	8546	
	25mm	GC2500	20	8546	
	32mm	GC3200	20	8546	
	38mm	GC3800	20	8546	
	<b>Option</b> Urostomy Microskin with soft covering to both sides				
	Opaque				
	cut-to-fit 13-50mm	MJ1300	20	8560	
	pre-cut 16mm	MJ1600	20	8560	
	19mm	MJ1900	20	8560	
	22mm	MJ2200	20	8560	
	25mm	MJ2500	20	8560	
	32mm	MJ3200	20	8560	
	38mm	MJ3800	20	8560	
	<b>Option</b> Urostomy Mini Microskin				
	Opaque				
	cut-to-fit 13mm-40mm	TC1300	20	8574	
	Pelican Healthcare Ltd	<b>Pelican Select</b> Urostomy Pouch with soft covering to both sides			
		cut-to-fit 15mm-65mm	114215	30	14400
		pre-cut 20mm	114220	30	14400
25mm		114225	30	14400	
27.5mm		114227	30	14400	
30mm		114230	30	14400	
32.5mm		114232	30	14400	
35mm		114235	30	14400	
37.5mm		114237	30	14400	
40mm		114240	30	14400	
45mm		114245	30	14400	
50mm		114250	30	14400	
55mm		114255	30	14400	
<b>Pelican Select Convex</b> Urostomy Pouch with soft convexity					
cut-to-fit 12mm-40mm		115412	10	4950	
pre-cut 20mm		115420	10	4950	
22.5mm		115422	10	4950	
25mm		115425	10	4950	
27.5mm		115427	10	4950	
30mm		115430	10	4950	
32.5mm		115432	10	4950	
35mm		115435	10	4950	
37.5mm		115437	10	4950	
40mm	115440	10	4950		
<b>Pelican Select Paediatric</b> Urostomy Pouch with clear medical film, split fabric backing and teddy print					
cut-to-fit 10mm-50mm	112706	30	14400		

IXC

## STOMA APPLIANCES

## UROSTOMY BAGS

Manufacturer	Appliance	Order No.	Quantity	List Price p
Penlan Medical Ltd	<b>Nu-Hope</b> Urostomy Pouch			
	Flat			
	Standard			
	pre-cut 13mm	8254	10	4833
	16mm	8255	10	4833
	19mm	8256	10	4833
	22mm	8257	10	4833
	25mm	8258	10	4833
	28mm	8259	10	4833
	31mm	8260	10	4833
	34mm	8261	10	4833
	38mm	8262	10	4833
	41mm	8263	10	4833
	44mm	8264	10	4833
	50mm	8266	10	4833
	56mm	8268	10	5008
	63mm	8270	10	5008
	69mm	8272	10	5008
	75mm	8274	10	5008
	Large			
	pre-cut 13mm	8254-L	10	4622
	16mm	8255-L	10	4622
	19mm	8256-L	10	4622
	22mm	8257-L	10	4622
	25mm	8258-L	10	4622
	28mm	8259-L	10	4622
	31mm	8260-L	10	4622
	34mm	8261-L	10	4622
	38mm	8262-L	10	4622
	Regular Convexity			
	Standard			
	pre-cut 13mm	8254-C	10	5283
	16mm	8255-C	10	5283
	19mm	8256-C	10	5283
	22mm	8257-C	10	5283
	25mm	8258-C	10	5283
	28mm	8259-C	10	5283
	31mm	8260-C	10	5283
	34mm	8261-C	10	5283
	38mm	8262-C	10	5283
	Large			
	pre-cut 13mm	8254-LC	10	5447
	16mm	8255-LC	10	5447
	19mm	8256-LC	10	5447
	22mm	8257-LC	10	5447
	25mm	8258-LC	10	5447
	28mm	8259-LC	10	5447
	31mm	8260-LC	10	5447
	34mm	8261-LC	10	5447
	38mm	8262-LC	10	5447

## STOMA APPLIANCES

## UROSTOMY BAGS

Manufacturer	Appliance	Order No.	Quantity	List Price p	
Penlan Medical Ltd	Deep Convexity				
	Standard				
	pre-cut 13mm	8254-DC	10	5523	
	16mm	8255-DC	10	5523	
	19mm	8256-DC	10	5523	
	22mm	8257-DC	10	5523	
	25mm	8258-DC	10	5523	
	28mm	8259-DC	10	5523	
	31mm	8260-DC	10	5523	
	34mm	8261-DC	10	5523	
	38mm	8262-DC	10	5523	
	Large				
	pre-cut 13mm	8254-L-DC	10	5695	
	16mm	8255-L-DC	10	5695	
	19mm	8256-L-DC	10	5695	
	22mm	8257-L-DC	10	5695	
	25mm	8258-L-DC	10	5695	
	28mm	8259-L-DC	10	5695	
	31mm	8260-L-DC	10	5695	
	34mm	8261-L-DC	10	5695	
	38mm	8262-L-DC	10	5695	

IXC

Rusch UK see DBT Medical Ltd

Salts Healthcare	<b>Confidence</b> Urostomy Pouch transparent/overlap film (includes 2 drain tube connectors per pack)			
	starter hole			
	13mm	U13	10	4304 △
	pre-cut			
	25mm	U25	10	4304 △
	32mm	U32	10	4304 △
	38mm	U38	10	4304 △
	45mm	U45	10	4304 △
	<b>Confidence Gold</b>			
	Urostomy Pouch with hypoallergenic hydrocolloid and transparent film/soft beige overlap comfort backing on both sides. (Includes 2 drain tube connectors per pack)			
Standard				
starter hole				
13mm	UNW13	10	4451	
pre-cut				
25mm	UNW25	10	4451	
32mm	UNW32	10	4451	
38mm	UNW38	10	4451	
45mm	UNW45	10	4451	
Urostomy Pouch with hypoallergenic hydrocolloid and transparent film/soft beige overlap comfort backing on both sides. (Includes 2 drain tube connectors per pack)				
Small				
starter hole				
13mm	USNW13	10	4451	

## STOMA APPLIANCES

## UROSTOMY BAGS

Manufacturer	Appliance	Order No.	Quantity	List Price p	
Salts Healthcare	<b>Confidence Gold Convex</b> Urostomy Pouch				
	1 Piece integral convexity with hypoallergenic hydrocolloid and transparent film/ beige overlap comfort backing on both sides. (Includes 2 drain tube connectors per pack) Important: This product with Integral Convexity should only be used after prior assessment of suitability by an appropriate medical professional.				
	starter hole				
	13-25mm	CU1325	10	4669 △	
	13-38mm	CU1338	10	4669 △	
	13-52mm	CU1352	10	4669 △	
	pre-cut				
	21mm	CU21	10	4669 △	
	25mm	CU25	10	4669 △	
	28mm	CU28	10	4669 △	
	32mm	CU32	10	4669 △	
	35mm	CU35	10	4669 △	
	38mm	CU38	10	4669 △	
	<b>Koenig Rutzen</b>				
	All Rubber Black with Tap outlet and N-R valve				
	Large				
	25mm	181125	1	4620 △	
	32mm	181132	1	4620 △	
	Medium				
	25mm	181325	1	4620 △	
	32mm	181332	1	4620 △	
	38mm	181338	1	4620 △	
	with metal bridge, tap outlet and N-R valve				
	Large				
	38mm	185138	1	5402 △	
	Medium				
	32mm	185332	1	5402 △	
All Rubber White Tap outlet					
Large					
32mm	281132	1	1913 △		
MB with Bridge, Tap outlet and N-R valve					
Large					
25mm	188125	1	6486 △		
32mm	188132	1	6486 △		
38mm	188138	1	6486 △		
<b>Light White</b>					
Clear					
Large					
25mm	296125	20	9552 △		
32mm	296132	20	9552 △		
38mm	296138	20	9552 △		
Opaque					
Large					
25mm	294125	20	9552 △		
32mm	294132	20	9552 △		
38mm	294138	20	9552 △		
Adhesive Bag					
Clear					
Large					
25mm	299125	20	9988 △		
32mm	299132	20	9988 △		
38mm	299138	20	9988 △		



## STOMA APPLIANCES

## UROSTOMY BAGS

Manufacturer	Appliance	Order No.	Quantity	List Price p
Salts Healthcare	Opaque			
	Large			
	25mm	298125	20	9988 △
	32mm	298132	20	9988 △
	38mm	298138	20	9988 △
	with Realistic Washer			
	Clear			
	Large			
	25mm	293125	20	12549 △
	32mm	293132	20	12549 △
	38mm	293138	20	12549 △
	Small			
	32mm	293232	20	12549 △
	Opaque			
Large				
25mm	292125	20	12525 △	
32mm	292132	20	12525 △	
38mm	292138	20	12525 △	
Ward Surgical Appliance Co	<b>Ureterostomy Bag</b>			
	tap outlet, 19mm, 35mm or 54mm opening			
	Night Size	WM 47	1	2019
	Day Size	WM 48	1	1891
Welland Medical Ltd	<b>Curvex Uro</b>			
	Urostomy pouch with flexible convex flange and soft backing			
	Clear			
	25mm plateau, cut-to-fit	CUS713	10	4728
	32mm plateau, cut-to-fit	CUM713	10	4728
	43mm plateau, cut-to-fit	CUL713	10	4728
	Beige			
	25mm plateau, cut-to-fit	CUS913	10	4728
	32mm plateau, cut-to-fit	CUM913	10	4728
	43mm plateau, cut-to-fit	CUL913	10	4728
	<b>Silhouette URO</b>			
	Urostomy pouch with soft backing			
	Clear			
	13mm	SUR 713	10	4427
	16mm	SUR 716	10	4427
	19mm	SUR 719	10	4427
	22mm	SUR 722	10	4427
	25mm	SUR 725	10	4427
	32mm	SUR 732	10	4427
	38mm	SUR 738	10	4427
	Beige			
	13mm	SUR 913	10	4427
	16mm	SUR 916	10	4427
	19mm	SUR 919	10	4427
	22mm	SUR 922	10	4427
	25mm	SUR 925	10	4427
	32mm	SUR 932	10	4427
	38mm	SUR 938	10	4427

IXC

---

**STOMA APPLIANCES**

---

---

**UROSTOMY SETS**

---

Manufacturer	Appliance	Order No.	Quantity	List Price p
† Mentor Medical Ltd	Carshalton Sets			
	Oval Bag			
	25mm	48-503-19	1	7487
	32mm	48-503-27	1	7487
	38mm	48-503-35	1	7487
	Triangle Bag			
	25mm	48-503-43	1	7487
	32mm	48-503-51	1	7487
	38mm	48-505-13	1	7487

† to be deleted 1 April 2006

## STOMA APPLIANCES

**MANUFACTURERS' ADDRESSES AND TELEPHONE NUMBERS (STOMA APPLIANCES)**

3M Health Care Ltd, 3M House, Morley Street, Loughborough, Leics, LE11 1EP (01509 611611)

Adams Healthcare see Ecolab

Anglo Venture 2000 Ltd, The Mill, Hatfield Health, Bishop's Stortford, Herts, CM22 7DL (01279 730733)

Astra Tech Ltd, Stroud Water Business Park, Brunel Way, Stonehouse, Gloucestershire GL10 3SW  
(01453 791763)

Bard Ltd, Forest House, Brighton Road, Crawley, West Sussex, RH11 9BP (01293 527888)

B. Braun Medical, Thornccliffe Park, Sheffield, S35 2PW (0114 225 9000)

C S Bullen Ltd, 3-7 Moss Street, Liverpool, L6 1EY (0151 2076995/6/7/8)

J. Chawner Surgical Belts Ltd, Unit 1B Mayfields, Southcrest, Redditch, B98 7DU (01527 404353)

CliniMed Ltd, Cavell House, Knaves Beech Way, Loudwater, High Wycombe, Bucks, HP10 9QY  
(01628 850100)

Coloplast Ltd, Peterborough Business Park, Peterborough, PE2 6FX (01733 392000)

ConvaTec Ltd, Unit 20, First Avenue, Deeside Industrial Park, Deeside, Clwyd CH5 2NU (01244 586244)

Cover Care, Trent House, Meadowbank Way, Eastwood, Nottingham, NG16 3SB (01773 536816)

Cuiwear Ltd, Winchester Avenue, Blaby, Leicester LE8 4GZ (0116 2775111)

IXC

Cuxson Gerrard & Company Ltd, 26 Fountain Lane, Oldbury, Warley, West Midlands, B69 3BB (0121 5447117)

Dansac Ltd, Victory House, Vision Park, Histon, Cambridge CB4 4ZR (01223 235100)

DBT Medical Ltd, 14 Eagle Industrial Estate, The Crofts, Witney, OX28 4DJ (01993 773673)

Dow Corning Ltd, Kings Court, 185 Kings Road, Reading, Berkshire RG1 4EX (01734 596888)

Ecolab, Lotherton Way, Garforth, Leeds LS25 2JY (0113 2320066)

Ellis, Son & Paramore Ltd, Spring Street Works, Sheffield, S3 8PD (0114 2738921/221269)

Hi-Line Ltd, Unit 28 Grange Lane Industrial Estate, Carrwood Road, Barnsley, South Yorkshire S71 5AS  
(01226 242500)

Hollister Ltd, Rectory Court, 42 Broad Street, Wokingham, Berkshire, RG40 1AB (0118 989 5000)  
(Retail Pharmacy Order Line 0800 521392)

Impfarm Nationwide Ltd, PWS Building, Nelson Street, Bolton, BL3 2JW (01204 371155)

Jade-Euro-Med Ltd, Unit 14, East Hanningfield Industrial Estate, Old Church Road, East Hanningfield,  
Chelmsford, Essex CM3 8BG (01245 400413)

Loxley Products: Unit 8, South Lincolnshire Enterprise Agency, Station Road East, Grantham, Lincolnshire,  
NG31 6HX (01476 560194)

Manfred Sauer GmbH: (UK Branch), Unit 3, io Centre, Lodge Farm, Northampton NN5 7UW (0870 1904100)

Marlen USA products: distributed by Marlen Healthcare Ltd, Shell Buildings, Maltmill Lane, Blackheath,  
Halesowen, West Midlands (0121 7082077)

Medicina Ltd, Unit 1 Adlington Business Village, Huyton Road, Adlington, PR7 4JH (01257 482200)

---

**STOMA APPLIANCES**

---

---

**MANUFACTURERS' ADDRESSES AND TELEPHONE NUMBERS (STOMA APPLIANCES)**

---

Medlogic Global Ltd, Western Wood Way, Language Science Park, Plympton, Plymouth, Devon, PL7 5BG  
(01752 209955)

Mentor Medical Ltd, Building 10, Commerce Way, Lancing, West Sussex BN15 8TJ (01903 761122)

Oakmed Ltd, 54 Adams Avenue, Northampton, NN1 4LJ (01604 239250)

Omx Medical Ltd, 25, Sea Lane, East Preston, Littlehampton, West Sussex, BN16 1NH (01903 783744)

Opus Healthcare, PO Box 8204, Ardreigh, Colchester, CO7 7WH (01206 230741)

Orthotic Services Ltd, Heartlands House, 19 Cato Street, The Heartlands, Birmingham, B7 4TS (0121 3596323)

OstoMart Ltd, 1 The Carlton Business Centre, Carlton, Nottingham NG4 3AA (0115 9403080)

S G & P Payne, Percy House, Brook Street, Hyde, Cheshire, SK14 2NS (0161 3678561)

J C Peacock & Son Ltd, Friar House, Clavering Place, Newcastle upon Tyne, NE1 3NR (0191 2329917)

Pelican Healthcare Ltd, Cardiff Business Park, Cardiff, CF14 5WF (02920 747787)

Penlan Medical Ltd, 2 New Row, Deeping St James, Lincolnshire, PE6 8NA (0784 1838036)

Rusch UK see Teleflex Medical and DBT Medical Ltd

E Sallis Ltd, Vernon Works, Waterford Street, Old Basford, Nottingham, NG6 0DH (0115 9787841/2)

Salts Healthcare, Saltair House, Lord Street, Nechells, Birmingham, B7 4DS (0121 3595123)

SASH, Woodhouse, Woodside Road, Hockley, Essex, SS5 4RU (01702 206502)

T J Shannon Ltd, 59 Bradford Street, Bolton, BL2 1HT (01204 521789)

A H Shaw and Partners Ltd, Manor Road, Ossett, West Yorkshire, WF5 0LF (01924 273474)

Teleflex Medical, Stirling Road, Cressex Business Park, High Wycombe, Buckinghamshire, HP12 3ST  
(01494 532761)

UCI Healthcare Ltd, Unit 8, Southill, Cornbury Park, Charlbury, Oxon OX7 3EW (0160 8811815)

Ward Surgical Appliance Company Ltd, 57A Brightwell Avenue, Westcliffe-on-Sea, Essex SSO 9EB  
(01702 354064)

Welland Medical Ltd Products: distributed by CliniMed Ltd, Cavell House, Knaves Beech Way, Loudwater,  
High Wycombe, Bucks. HP10 9QY (01628 850100)

## CHEMICAL REAGENTS

## APPROVED LIST OF CHEMICAL REAGENTS

The only chemical reagents which may be supplied as part of the pharmaceutical services are those listed in Part IXR of the Tariff.

The price listed in respect of a chemical reagent specified in the following list is the basic price on which payment will be calculated pursuant to Part II, Clause 6A for the dispensing of that chemical reagent.

The Notes to Part IX shall also apply to Part IXR when 'chemical reagent(s)' shall be substituted for 'appliance(s)'.  
Chemical reagents are listed in the order; detection strips (urine), and detection strips (blood).

Chemical Reagent	Quantity	Basic Price P
<b>1. DETECTION STRIPS, URINE</b> (Supplied with an instruction sheet, analysis record and colour chart)		
<b>1.1 Detection Strips, urine for Glycosuria</b>		
1.1.1 Clinistix	50	325
1.1.2 Diabur Test 5000	50	269
1.1.3 Diastix	50	276
1.1.4 Medi-Test Glucose	50	226
<b>1.2 Detection Strips, urine for Ketonuria (Acetonuria)</b>		
1.2.1 Ketostix	50	292
1.2.2 Ketur Test	50	258
<b>1.3 Detection Strips, urine for Proteinuria</b>		
1.3.1 Albustix	50	402
1.3.2 Medi Test Protein 2	50	316
<b>2. DETECTION STRIPS, BLOOD FOR GLUCOSE</b> (Supplied with an instruction sheet, analysis record and colour chart) Meters for use with Blood Glucose Testing Strips or Discs are not available on prescription		
<b>2.1 Colorimetric Strips - visually readable</b>		
2.1.1 Glucoflex-R	50	1423
2.1.2 Hypoguard Supreme	50	1364
<b>2.2 Biosensor Strips - to be read only with the appropriate meter</b>		
2.2.1 Aviva	50	1583
2.2.2 Advantage Plus (formerly Advantage II)	50	1613 △
2.2.3 Ascensia Microfill	50	1583
2.2.4 GlucoMen Sensors	50	1494
2.2.5 Medisense G2	50	1494

IXR

## CHEMICAL REAGENTS

## APPROVED LIST OF CHEMICAL REAGENTS

Chemical Reagent	Quantity	Basic Price P
2.2.6 Medisense Optium Plus	50	1587
2.2.7 Medisense SoftSense	50	1586
2.2.8 On Call Now	50	705
2.2.9 One Touch Ultra	50	1587
2.2.10 PocketScan	50	1551
2.2.11 SeNova	50	1525
2.2.12 Sensocard	50	1567
2.2.13 Freestyle (formerly Therasense Freestyle)	50	1598
2.2.14 TrueTrack System	50	1557
2.3 Biosensor Discs - to be read only with the appropriate meter		
2.3.1 Ascensia Autodisc test sensor discs	5 discs of 10 strips each	1598
2.4 Colorimetric Strips - to be read only with the appropriate meter		
2.4.1 Active	50	1613
2.4.2 BM-Accutest	50	1564
2.4.3 Compact	3 drums of 17 strips each	1626
2.4.4 One Touch	50	1571
2.4.5 Prestige Smart System	50	1556
3. DETECTION STRIPS, BLOOD FOR KETONES (Beta-Hydroxybuterate)		
- to be read only with the appropriate meter		
MediSense Optium $\beta$ -Ketone Test Strips 98761-01	8	1504
4. DETECTION STRIPS, BLOOD FOR DETERMINATION OF INTERNATIONAL NORMALISED RATIO (INR)		
- to be read only with the appropriate meter		
4.1 CoaguChek PT	12	3167
	48	12383
4.2 CoaguChek XS PT Test	24	6334
4.3 HemoSense INRatio test strips	12	3053
	48	11935
4.4 ProTime 3 cuvettes	6	1554
	25	6325

---

**HOME OXYGEN THERAPY SERVICE**

---

**1. HOME OXYGEN**

- 1.1 Oxygen should be prescribed for patients in the home only after careful evaluation and never on a placebo basis. Oxygen may be supplied in cylinders or where the quantity required justifies it, from a concentrator but in general the appropriate method of supply will depend on the type of therapy, short burst or long term, to be prescribed.
- 1.2 The British Thoracic Society has recently issued updated clinical best practice guidelines for the assessment and prescribing of oxygen therapy. See the BTS website at [www.brit-thoracic.org.uk](http://www.brit-thoracic.org.uk)
- 1.3 Extracts from the guidelines are set out below (short burst therapy at paragraph 2 and long term therapy at paragraph 12).

**New Home Oxygen Service Arrangements**

- 1.4 On 7<sup>th</sup> June 2005, the Department of Health and the Welsh Assembly Government announced the award of contracts to four companies for the delivery of an integrated home oxygen service in England and Wales. The projected start date for the new service is **1 February 2006**. In the meantime, these current arrangements will continue.

**2. SHORT BURST THERAPY (INTERMITTENT THERAPY)**

- 2.1 Short burst oxygen therapy refers to the intermittent use of supplemental oxygen at home usually for periods of about 10 to 20 minutes at a time to relieve dyspnoea. Short burst oxygen therapy has traditionally been used
- for pre-oxygenation before exercise
  - for breathlessness during recovery from exercise
  - for control of breathlessness at rest
  - in palliative care
  - after an exacerbation of Chronic Obstructive Pulmonary Disease (COPD) to bridge the time to full long term oxygen therapy (LTOT) assessment.
- 2.2 The BTS guidelines recognise that further research will be needed to support firm recommendations on the prescribing of short burst oxygen therapy but recommend that, where episodic breathlessness is not relieved by other treatments, short burst oxygen therapy should be considered for patients with the following conditions:
- severe COPD
  - interstitial lung disease
  - heart failure
  - palliative care
- 2.3 Whilst the guidelines recognise that there is no specific methodology to support the clinical assessment of short burst oxygen therapy, it is recommended that other causes of breathlessness may need to be excluded or, as appropriate, the patient may need to be assessed for long term oxygen therapy (LTOT). In addition, the guidelines recommend that short burst oxygen therapy should only continue to be prescribed where it can be documented that there is an improvement in breathlessness and/or exercise tolerance.
- 2.4 Where a patient is prescribed short burst oxygen therapy, their needs will usually be met with oxygen in cylinders. Arrangements for the prescription and supply of cylinder oxygen are set out below.

---

**HOME OXYGEN THERAPY SERVICE**

---

**3. OXYGEN CYLINDER SERVICE**

- 3.1 When prescribing for short burst (intermittent) use of oxygen therapy, GPs will wish to consider the cost effective use of the cylinder service. In some circumstances (for example, where a patient is known to require one or two cylinders in a specific period of time), it may be preferable to prescribe the number of cylinders required in a way that will produce savings by reducing the number of journeys associated with the delivery and collection of cylinders needed. On the other hand, it is accepted that it will not always be possible to prescribe in this way, for example, because of the infrequency of use of oxygen or because of safety issues associated with the storage of cylinders within the patient's home. To maintain adequate supplies of oxygen for the use of patients, cylinders will need to be prescribed in a way that meets the patient's needs yet avoids unnecessary storage of additional cylinders in the home. For those patients who make frequent use of cylinders in a specific period of time - for example, those who require or use the equivalent of 21 cylinders or more a month (8 hours a day) a concentrator service will be a more convenient and cost effective means of meeting their oxygen needs. (See also paragraph 14.6 and 19.1).
- 3.2 PCT for England and LHB for Wales lists of pharmacy contractors who provide home oxygen therapy services include only those pharmacy contractors who are authorised to hold a number of light-weight single unit oxygen sets (approved sets are listed in sub paragraph 6.1) and stands, and:
- 3.2.1 regularly stock oxygen equipment, as specified in the Drug Tariff, and oxygen gas on pharmacy premises;
- 3.2.2 are prepared, when it would not be reasonable to expect that the patient's representative could safely do so or when he is unable to do so, to deliver the oxygen set and cylinders to the patient's home, to collect empty cylinders when these are being replaced, and to collect the set and cylinders when informed that treatment has been discontinued; and
- 3.2.3 are prepared to erect and explain the operation of the oxygen set and cylinders at the patient's home, particularly when a patient is prescribed oxygen therapy for the first time.
- 3.3 At any time a pharmacy contractor willing to provide this service may apply to the PCT for England and LHB for Wales for inclusion in the list.
- 3.4 A copy of the PCT for England and LHB for Wales list of oxygen contractors, with details of the services being provided, is supplied to every pharmacy contractor and doctor in the area. A copy of the list for an adjacent area will be sent on application.
- 3.5 If a prescription for an oxygen set or cylinders is presented to a pharmacy contractor whose name is not included in the list, he should provide the patient or his representative with the name, address and telephone number of at least two pharmacies (whether pharmaceutical services contractors or Local Pharmacy Scheme providers or both, as appropriate) who provide oxygen therapy services at the time the need arises, and who are nearest to the patient's home.
- 3.6 Except where, in emergency, a set has been loaned by a distant pharmacy contractor, oxygen gas shall be supplied to a patient only by the pharmacy contractor who has loaned the set. When, exceptionally, cylinder replacements are provided by a pharmacy contractor other than the one who supplied the set, he should, at the time when cylinders are supplied, satisfy himself that the patient continues to operate the equipment satisfactorily.



---

**HOME OXYGEN THERAPY SERVICE**

---

- 3.7 Delivery and collection of sets and/or cylinders is to be undertaken by the patient's representative where he is willing, providing the pharmacy contractor can fully satisfy himself that the representative is able to transport a set and/or a cylinder, carry it and secure it in position in the house, and fit the mask after the instructions provided in the set have been explained to him. In other circumstances delivery, erection and collection of sets and/or cylinders and the explanation of the operation of oxygen equipment at the patient's home, particularly at the commencement of treatment, is to be undertaken by the pharmacy contractor.
- 3.8 The recovery of empty cylinders from patients, and their prompt return to the supplier for refilling, is essential if adequate supplies of oxygen for the use of patients are to be maintained.
- 4. OXYGEN EQUIPMENT WHICH MAY BE ORDERED**
- 4.1 The sets of equipment which may be provided by the pharmacy contractor are listed in sub para 6.1 (see also Specification 01A and 01B, para 10).
- 4.2 The oxygen masks which may be ordered are listed in sub para 6.2 (See also illustrations, para 7). The type of treatment they provide is indicated in para 6.
- 4.3 One constant performance mask (either the Intersurgical 010 Mask, 28% or the Ventimask Mk IV, 28%) is supplied as part of the set, but is packaged separately on account of bulk (see list of approved masks, sub para 6.2 and figures 1 and 2 page 388). When a constant performance mask is supplied to a patient, the recommended flow rate is 2 litres per minute (the Medium setting on the control head) (see page 389, and diagrams on pages 391-394).
- 4.4 Where the prescriber considers that a mask different to that provided in the standard set is required for treatment, he must state which mask is to be supplied.
- 4.5 Every mask is supplied for the use of one patient only. All masks, therefore, are "disposable" but each is sufficiently robust to withstand usage even over a long period of treatment.
- 4.6 Oxygen may be prescribed in cylinders with a 1360 litre or 2122 litre capacity (sections 8.2 and 8.3). As of October 2005, 2122 litre cylinders are available. These meet a patient's needs for over 17 hours instead of 11 hours. 2122 litre cylinders are physically the same as the 1360 litre cylinders and can be identified by the label which clearly states the volume of gas contained. Prescribing a 2122 litre cylinder will reduce the number of oxygen deliveries to a patient's home whilst maintaining oxygen needs. For example, a GP may prescribe 2 x 2122 litre cylinders instead of 3 x 1360 litre cylinders.
- 4.7 When 2122 litre cylinders are prescribed but are not available, the pharmacy contractor will supply the gas in 1360 litre cylinders and endorse the prescription accordingly.
- 4.8 A cylinder stand may be ordered. If, however, a stand is not ordered and the pharmacy contractor considers that the cylinder cannot be effectively secured to avoid the risk of accident to the patient or set, a cylinder stand should be supplied on loan.



---

**HOME OXYGEN THERAPY SERVICE**


---

**5. PROCEDURE TO BE FOLLOWED IN LOANING EQUIPMENT, CONFIRMING CONTINUED USE AND TERMINATION OF THE PCT'S FOR ENGLAND AND LHB'S FOR WALES LIABILITY**

- 5.1 The pharmacy contractor shall on making the loan include a note with the set saying that "This Set is the property of the Pharmacy Contractor to whom it must be returned in good condition by the patient".
- 5.2 The pharmacy contractor shall endorse the prescription form with:
- 5.2.1 Details (eg name) of set supplied;
- 5.2.2 Date of loan commences;
- 5.2.3 Size and number of cylinders supplied.
- 5.3 The pharmacy contractor shall make a monthly return to the PCT for England and LHB for Wales showing:
- 5.3.1 Date of loan set;
- 5.3.2 Date for return of set (when applicable) or date of notice by PCT for England and LHB for Wales (see 5.4.below); or
- 5.3.3 Confirmation that the set is still on loan (when applicable).
- 5.4 Where the return shows that the set has been on loan at least three months and has not been returned to the pharmacy contractor, the PCT for England and LHB for Wales shall ascertain from the doctor whether the equipment is still required; subsequent enquiries shall be made at intervals not exceeding three months during the first year of the loan.
- 5.5 Where the PCT for England and LHB for Wales are satisfied, after making enquiries, that the equipment is no longer required by the patient, or where between enquiries the doctor informs the Authority to that effect, the Authority shall notify the contractor to arrange recovery.
- 5.6 Where the patient fails to return the equipment the onus of collecting it rests on the pharmacy contractor.
- Note:** different local PCT for England and LHB for Wales arrangements may apply.

**6. OXYGEN EQUIPMENT WHICH THE PHARMACY CONTRACTOR MAY SUPPLY ON LOAN TO THE PATIENT**
**6.1 OXYGEN SETS**

The following sets (See Specification 01A and 01B, page 389 and diagrams, pages 391-394) are approved for use within the Home Oxygen Therapy Service, and any one may be loaned against an order for a set:

	Price (excluding carriage)
6.1.1 Specification 0.1 A	
BOC Domiflow Set (888830)	8648p
Oxylitre Set (M 210)	7660p
Oxylitre Set (M 410)	7660p
Puritan Bennett Set (778435)	8000p
Sabre Medical Oxydom Set	7990p
Therapy Equipment Dialreg Set (5120)	6300p
6.1.2 Specification 01B	
Air Apparatus and Valve Set (D24)	8091p

A constant performance mask (see paragraph 6.2.1, below and figures 1 and 2, page 388) shall be supplied by the manufacturer with each set.

When supplying an oxygen set meeting Specification 01B with a constant performance mask, the pharmacy contractor should ensure that the flow selector is at the Medium setting, ie 2 litres per minute (see diagram on page 392).

On no account should a pharmacy contractor attempt to modify any oxygen set to produce a higher flow rate than that for which it has been designed. To do so could create a hazardous situation for the patient.

---

**HOME OXYGEN THERAPY SERVICE**


---

**6.2 OXYGEN MASKS**

The following masks are approved for use within the Home Oxygen Therapy Service:

**6.2.1 Constant Performance Masks**

These masks provide a nearly constant concentration of 28% oxygen in air over a wide range of oxygen supply, and irrespective of breathing pattern. The most economic oxygen flow rate is 2 litres per minute (the Medium setting on the control head).

**Intersurgical 010 Mask 28%** (figure 1, page 388)+

The mask comprises a soft moulded plastic facepiece, an adjustable elastic headstrap and a metal nose clip to ensure a close fit across the nose. A lightweight white venturi diluter fitted to the front of the mask ensures a near constant oxygen concentration. This can be rotated to suit varying positions of the connecting tube.

Weight (less supply tube) 44 grams  
Supplied by Intersurgical Ltd

**Venticaire Venturi Mask 28%** (figure 4, page 388) +

The mask consists of a one piece transparent flexible moulded facepiece, with venturi barrel. It is fitted with an adjustable headstrap, and the venturi barrel can be rotated to suit convenient position of the tube.

Weight (less supply tube) 39 grams  
Supplied by Flexicare Medical Ltd

**Ventimask Mk IV 28%** (figure 2, page 388)+

The mask consists of a one piece transparent flexible moulded facepiece, incorporating a lightweight rigid clear plastic venturi device that ensures near constant concentration.

It is fitted with an adjustable elastic head-band, and has soft metal reinforcing strip to ensure a good fit over the bridge of the nose.

Weight (less supply tube) 66 grams  
Supplied by Flexicare Medical Ltd

X

**6.2.2 Variable Performance Masks**

A flow rate of 2 litres per minute is recommended for these masks, no claim being made for the resulting oxygen concentration. They provide a variable concentration of oxygen in air. The concentration varies with the rate of flow of oxygen supplied and the breathing pattern of the patient.

**Intersurgical 005 Mask** (figure 3, page 388)

This mask comprises a soft moulded plastic facepiece, adjustable elastic headstrap and a metal nose clip to ensure a close fit across the nose. A swivel connector on the front of the mask, to which the oxygen tube is connected, can be rotated to suit varying position of the connecting tube.

Weight (less supply tube) 40 grams  
Supplied by Intersurgical Ltd

**Venticaire Mask** (figure 4, page 388)

This mask comprises a soft moulded clear plastic facepiece, with either an adjustable elastic headstrap, or ear loops. A swivel connector is provided on the front of the mask, this rotates to suit varying positions of the oxygen supply tube (not included).

Weight 39 grams  
Supplied by Flexicare Medical Ltd

---

**HOME OXYGEN THERAPY SERVICE**

**7. ILLUSTRATIONS OF APPROVED OXYGEN MASKS**

(See list in sub paragraph 6.2)



Figure 1  
Inter-Surgical O10 Mask



Figure 2  
Ventimask Mk1V, 28%



Figure 3  
Inter-Surgical O05 Mask

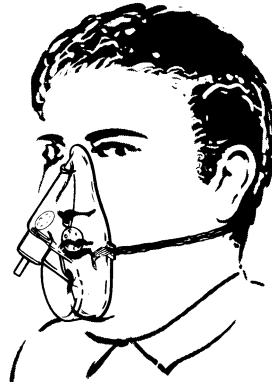


Figure 4  
Venticaire Mask  
Venticaire Venturi Mask 28%

---

**HOME OXYGEN THERAPY SERVICE**


---

**8. BASIC PRICE OF APPROVED OXYGEN EQUIPMENT**

Note: Arrangements for the provision and payment of the home oxygen service are now made on a local basis.

- 8.1 Basic Price for the supply of a mask, when prescribed after the initial order on a separate prescription form (see list of approved masks, sub paragraph 6.2 and illustrations, paragraph 7).

Intersurgical 010 Mask, 28%	figure 1	97p
Ventimask Mk IV, 28%	figure 2	145p
Intersurgical 005 Mask	figure 3	78p
Venticaire Mask	figure 4	71p
Venticaire Venturi Mask 28%	figure 4	92p

- 8.2 Basic Price for;

Oxygen BP, cylinder	1360 litres	809p
Oxygen BP, composite cylinder with integral headset to specification 02 *	1360 litres	894p

\* The supply of these cylinders is limited. They should only be supplied where their use is part of the local home oxygen therapy service or where specifically indicated for an individual patient. The Department of Health is aware of the areas where supply of these cylinders is part of local arrangements.

- 8.3 Basic Price for;

Oxygen BP, composite cylinder with integral headset*	2122 litres	1340p
--	-------------	-------

\*These cylinders are not available from all suppliers.

**Collection of Cylinders**

- 8.4 **Contractors are reminded of the importance of ensuring that as few empty cylinders as possible remain in circulation. These should be exchanged promptly. Cylinders should be withdrawn (full or empty) together with other equipment should the service cease when the patient no longer requires oxygen.**


**9. METHOD OF CLAIMING COMPENSATION FOR FINANCIAL LOSS IN RESPECT OF OXYGEN EQUIPMENT**

- 9.1 Where the pharmacy contractor suffers financial loss as a result of the act or default of a person causing the loss or damage to oxygen equipment loaned, the pharmacy contractor should inform the PCT for England and LHB for Wales of such financial loss. In this paragraph, the expression "person" means the person supplied, the patient concerned, members of his household, or the authorities of an institution to which the equipment is delivered, as the case may be.

- 9.2 Necessary out-of-pocket expenses incidentally involved in the repair of or replacement of the equipment, such as postage or carriage should also be met. Reimbursement of the loss will depend on local PCT for England and LHB for Wales arrangements.

**10. ADDITIONAL SPECIFICATIONS**

- 10.1 SPECIFICATION 01A (Lightweight (Single Unit) Oxygen Set)  
The set comprises:

- 10.1.1 The Control Head, which shall include the following features:

10.1.1.1 A valve which reduces the gas cylinder pressure from 13650 kPa. to a pressure of 70 to 415 kPa.;

10.1.1.2 A miniature contents (pressure) gauge, calibrated with 1/4, 1/2 and FULL markings;

---

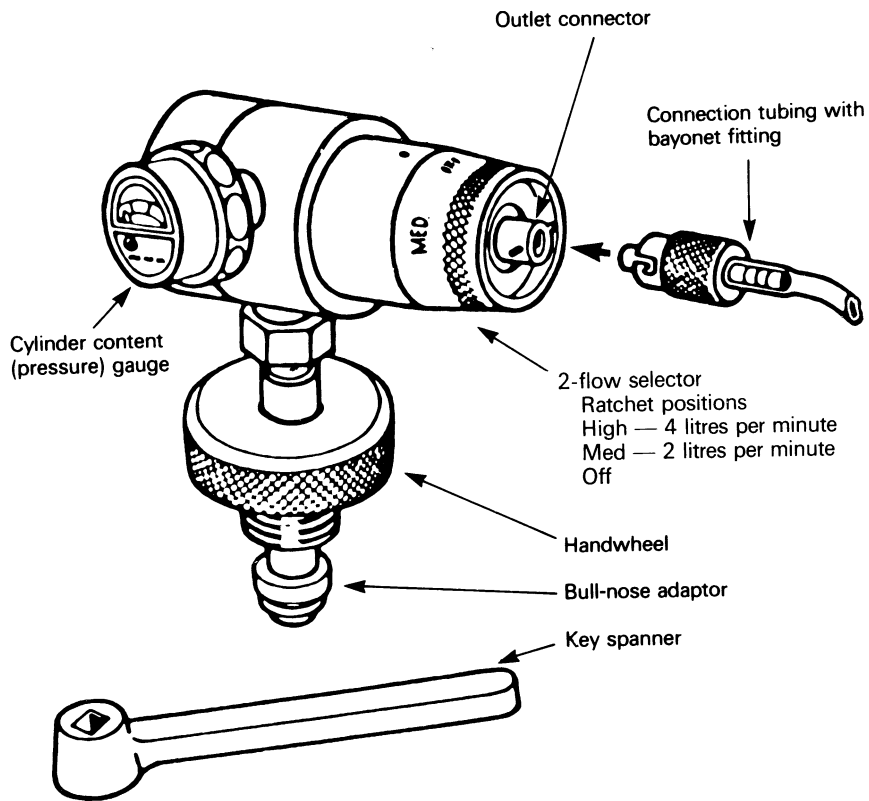
**HOME OXYGEN THERAPY SERVICE**


---

- 10.1.1.3 A cap, consisting of a two flow selector, which can be turned from the ratchet position marked OFF to ratchet positions marked MED and HIGH, these being designed to correspond to flow rates of 2 litres and 4 litres respectively per minute;
- 10.1.1.4 An outlet, being the male portion of a bayonet type connection;
- 10.1.1.5 A standard bull-nose cylinder adaptor designed for finger tightening, and preferably incorporating an O-ring washer;
- 10.1.1.6 A safety device, such as a sintered filter, to prevent the spontaneous combustion of particulate material in the control head, or in the neck of the cylinder.
- 10.1.2 Connection Tubing: 150cm (approximately) plastic tubing, 5mm bore, 8mm externally (Ref. Portex 800/012/300) with at one end a bayonet fitting to the control head.
- 10.1.3 A Key Spanner of 100mm to 150mm length, for opening the oxygen cylinder valve.
- 10.1.4 One disposable plastic mask (figure 1 or figure 2 on page 388), in a closed plastic bag.
- Note:** The set parts 1 to 3 are packed in a strong box, with full operating instructions in the lid. The mask, being partly rigid, is packed separately and supplied with the boxed parts.
- Note:** Spare O-rings may be supplied by the manufacturer with the set, but these should be removed by the contractor before the set is supplied to the patient.
- 10.2 SPECIFICATION 01B (Lightweight (Single Unit) Oxygen Set)  
The set will comply with all the requirements of Specification 01A, with the exception of clause 1c, where the following clause will apply:  
"A ratchet selection device to enable the gas flow to be set at predetermined positions to give flow rates of 2 litres and 4 litres per minute respectively. The positions will be clearly indicated and labelled 2L (MED) and 4L (HIGH); and a control knob which permits the flow of gas to be turned on and off. It will be suitably labelled to indicate the ON and OFF positions and the direction of the rotation to turn ON..."
- 10.3 SPECIFICATION 02 (Oxygen BP, Composite Cylinder with Integral Headset)
- 10.3.1 The integral valve (pillar valve/pressure regulator/flow controller), shall comply with BS EN 738 part 3: 1997  
With the following additions:
- 10.3.1.1 miniature contents (pressure) gauge with at least 1/4, 1/2 and Full markings
- 10.3.1.2 the flow control valve shall consist of either:  
a flow selector, which can be turned from the ratchet position marked OFF to ratchet positions marked 2L(MED) and 4L(HIGH), these being designed to correspond to flow rates of 2 and 4 litres per minute respectively.  
or  
shall contain a control knob which permits the flow of gas to be turned on and off. It will be suitably labelled to indicate the ON and OFF positions and the direction of the rotation to turn ON.  
A ratchet selection device to enable the gas flow to give gas flow rates of 2 and 4 litres per minute.  
The positions will be clearly indicated and labelled 2L(MED) and 4L(HIGH);
- 10.3.1.3 an outlet, being the male portion of a bayonet type connection;
- 10.3.2 Both "bayonet" and "fir tree" outlets are approved for use on home oxygen regulators, including those built into composite cylinders.
- 10.3.3 All devices should be CE marked under the European Medical Device Directive
-

HOME OXYGEN THERAPY SERVICE

SPECIFICATION 01  
Lightweight (Single Unit) Set 01A  
NB: Actual Shape of Control Head varies with make



X

Illustration approximately 4/10 actual size

The Set is packed in a strong box

A Constant performance mask is packed separately with the boxed parts

HOME OXYGEN THERAPY SERVICE

SPECIFICATION 01  
Lightweight (Single Unit) Set 01B

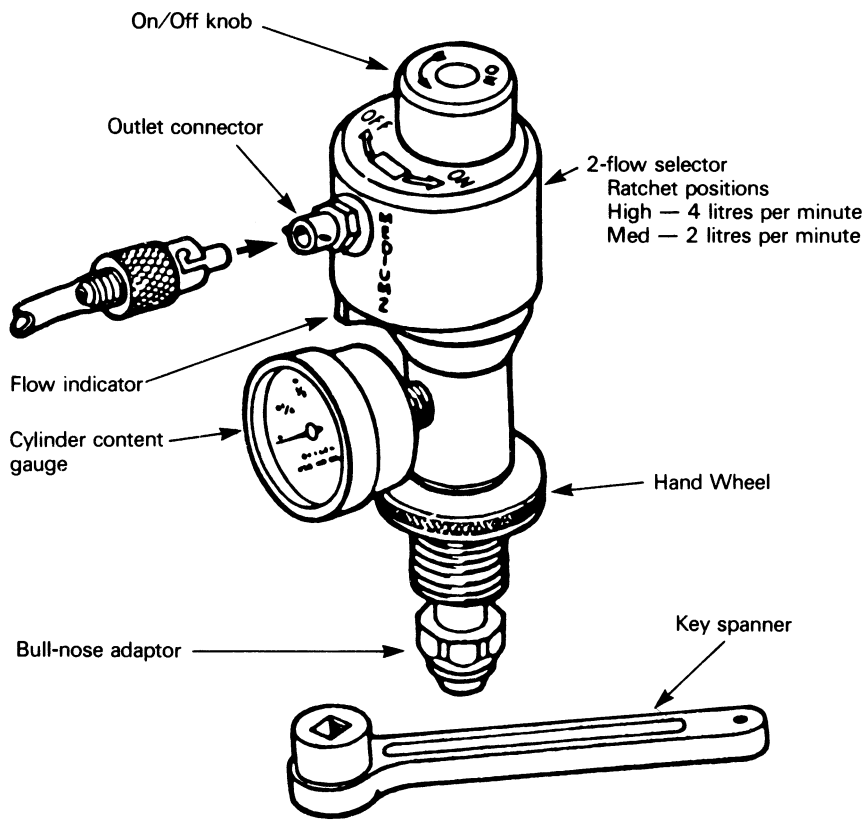


Illustration approximately 4/10 actual size

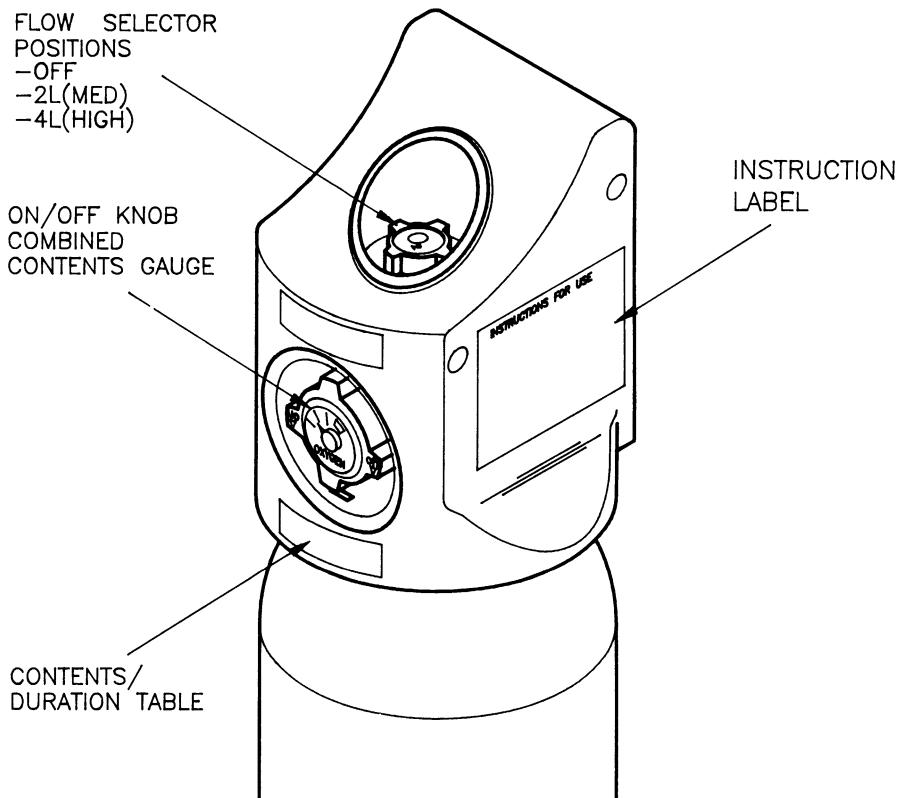
The Set is packed in a strong box

A Constant performance mask is packed separately with the boxed parts



HOME OXYGEN THERAPY SERVICE

SPECIFICATION 02  
Oxygen BP, Composite Cylinder with Integral Headset



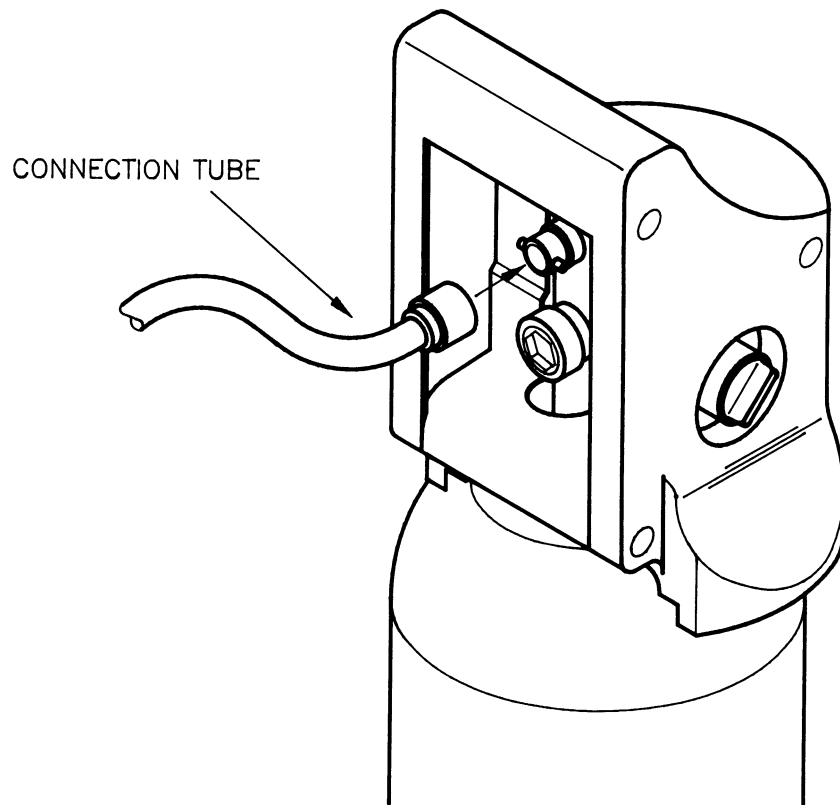
X

VIEW FROM FRONT OF CYLINDER  
APPROX. SCALE 1/3 FULL SIZE

**HOME OXYGEN THERAPY SERVICE**

---

SPECIFICATION 02  
Oxygen BP, Composite Cylinder with Integral Headset



VIEW FROM REAR OF CYLINDER  
APPROX. SCALE 1/3 FULL SIZE

---

**HOME OXYGEN THERAPY SERVICE**


---

**11. LONG TERM OXYGEN THERAPY (LTOT)**

Long term oxygen therapy is the provision of oxygen for a prolonged period of usually 15 hours or more a day (including at night). For most patients receiving LTOT, a concentrator is the most economical way of providing home oxygen therapy (see below). Once started, LTOT is likely to be life long.

**12. GUIDELINES FOR PRESCRIBING LONG TERM OXYGEN THERAPY (LTOT)**

12.1 The British Thoracic Society clinical best practice guidelines draw attention to patients with the following conditions who may benefit from the prescribing of LTOT:

- Chronic obstructive pulmonary disease
- Severe chronic asthma
- Interstitial lung disease
- Cystic fibrosis
- Bronchiectasis
- Pulmonary vascular disease
- Primary pulmonary hypertension
- Pulmonary malignancy
- Chronic heart failure

This will include patients with chronic hypoxaemia and, for these patients, it is recommended that oxygen therapy should, wherever possible, be provided by a concentrator, in view of the presence of worsening arterial hypoxaemia during sleep.

12.2 The guidelines suggest that patients for whom there is clear evidence of the value of LTOT will be those with chronic obstructive airways disease, chronic hypoxaemia and oedema. The guidelines recommend that a respiratory care physician, with access to respiratory function services, should assess these patients.

12.3 The BTS guidelines also draw attention to the benefit of LTOT for other groups of patients. For example, prescribing home oxygen therapy for palliation of dyspnoea in pulmonary malignancy and other causes of disabling dyspnoea due to terminal disease.

12.4 Where a concentrator is prescribed, the patient must be fully acquainted with the installation and the working of the concentrator. An initial flow rate will be 2L/min, but may need to be modified between 1.5 and 2.5 litres per minute following specialist assessment.

12.5 Arrangements for the prescription and supply of oxygen concentrators to those patients who require long term therapy are set out at paragraphs 15 and 16 below.

**13. SMOKING AND LONG TERM THERAPY**

13.1 Patients who continue to smoke are unlikely to gain much benefit from oxygen therapy and every effort must be made to persuade them to discontinue smoking. Smoking cessation techniques should be continued prior to any home oxygen assessment and prescription. Patients should be made aware of the dangers of continuing to smoke in the presence of home oxygen. There is also the additional hazard of fire.

**14. THE OXYGEN CONCENTRATOR SERVICE**

14.1 An oxygen concentrator is an electrically powered machine which separates a high proportion of nitrogen and some other components from ambient air and thus delivers oxygen enriched gases to patients. For the purposes of the concentrator service, England and Wales have been divided into 9 regional groups of PCTs for England and LHBs for Wales, with one supplier selected to provide the service in each group. The regional groups and the selected supplier for each one are set out in paragraph 23.

14.2 Each PCT for England and LHB for Wales will appoint an 'Authorised Officer' to whom all queries relative to the concentrator service should be addressed.



---

**HOME OXYGEN THERAPY SERVICE**

---

- 14.3 The service comprises the supply and installation of a concentrator and associated equipment in a patient's home on the prescription of a general practitioner. Full instructions are provided to the patient and the service includes maintenance and removal of the concentrator and associated equipment where this is no longer required. Concentrators are generally reliable and the risk of breakdown is low. However, in the event of a breakdown, suppliers are responsible for responding to an emergency call-out within 10 hours.
- 14.4 Where a patient is considered to be at risk in the event of a concentrator failure, a GP may prescribe an emergency back-up supply of cylinder oxygen BP, for use by the patient until the concentrator is repaired. Such back-up equipment should normally be prescribed along with the concentrator. However, a GP should review the need for back-up oxygen regularly and the supply should be withdrawn if no longer required. The emergency back-up supply will form part of the services to be provided by the concentrator supplier (See also paragraph 18).
- 14.5 The supplier will also be responsible for the payment of patients' electricity costs associated with concentrator usage.
- 14.6 Although a GP will usually prescribe a concentrator where a patient requires oxygen therapy over a prolonged period (eg 15 hours or more a day, including at night), the concentrator service should also be considered as a more cost effective way of meeting the needs of patients with high use of cylinder oxygen. That is, for those patients using cylinders for more than 2 hours a day, it will still be cost-effective to prescribe a concentrator and this will also reduce the patient's dependence on the frequent delivery and collection of large numbers of oxygen cylinders.
- 15. PRESCRIBING ARRANGEMENTS FOR OXYGEN CONCENTRATORS**
- 15.1 The following action should be taken to obtain an oxygen concentrator service for patients who require continuous oxygen therapy for prolonged period each day (including at night):
- A concentrator and any other related equipment (e.g. humidifier), should be prescribed using an FP10 form. It will be helpful if the GP is able to specify the flow rate and also indicates the need for a back-up oxygen set and cylinder, as required (see paragraph 15.4 and 17 below).
  - The prescription form should be given to the patient, together with information about the concentrator service, and the patient advised that the supplier will be in touch shortly to arrange installation. The patient should be instructed to give the prescription form to the supplier when he visits the patient's home. If the patient moves home, a new prescription will be required to arrange installation in his new home. See also arrangements for removal of a concentrator from a patient's home (paragraphs 15.4 and 17 below)
  - The GP should telephone the concentrator supplier to arrange for installation. The supplier will provide written confirmation to the GP, the patient and PCT for England and LHB for Wales. Details of suppliers providing a concentrator service for each region are set out in paragraph 23. There is a Freephone arrangement.
- Additional Equipment**
- 15.2 If at any time during the patient's treatment the GP wishes to order additional equipment e.g. emergency back-up set and cylinder if not previously ordered, he should follow the above procedure.
- Changes to a patient's requirements**
- 15.3 If for any reason the GP wishes to alter the patient's regime he should inform the patient, complete the card which has been given to the patient by the concentrator supplier (entering the date, recommended flow rate etc) and tell the patient to show it to the supplier when he next visits his home to service the machine
- 15.4 It is essential that the GP notifies the PCTs for England and LHBs for Wales Authorised Officer by telephone immediately the concentrator and/or emergency supply is no longer required by a particular patient (See paragraphs 16 and 17).
-

---

**HOME OXYGEN THERAPY SERVICE**


---

**16. UNDER-USE OF A CONCENTRATOR**

- 16.1 Once a concentrator has been installed in a patient's home, it will be important to monitor the volume of oxygen consumption to ensure that this remains a cost effective means of meeting the patient's prescribed oxygen needs.
- 16.2 Under the terms of the concentrator service contract, suppliers are required to submit for PCTs for England and LHBs for Wales a statement accompanying claims for reimbursement of patients' electricity costs, setting out in respect of each patient a comparison between the patient's average daily usage of the concentrator over a period of the claim and the daily usage as prescribed by the general practitioner.
- 16.3 In those cases where it appears that there may have been a significant under-use of the concentrator the PCT for England and LHB for Wales should bring the matter to the attention of the prescriber so that he may re-consider the prescribed regime.
- 16.4 In those cases where the average daily usage has fallen and it is no longer cost effective to meet a patient's prescribed needs with a concentrator, the PCT for England and LHB for Wales should request the prescriber to confirm that the patient has been counselled in the use of the concentrator and that usage will increase. Where no such confirmation is obtained, the PCT for England and LHB for Wales should arrange for the concentrator to be withdrawn and for the doctor to prescribe cylinder oxygen for the patient concerned.
- 16.5 Similar action should be taken if, after receiving a prescriber's confirmation of a continuing need for a concentrator at the first enquiry, a further statement from the supplier indicates that the concentrator continues to be under used. PCTs for England and LHBs for Wales should discuss these arrangements with their Local Medical Committees.

**17. WITHDRAWAL OF A CONCENTRATOR AND/OR ASSOCIATED EQUIPMENT**

Where a GP advises the PCT for England and LHB for Wales that a concentrator and/or emergency supply of cylinder oxygen (see paragraphs 14.3 and 18) is no longer required for a particular patient, the PCT for England and LHB for Wales should immediately request the supplier to arrange for removal of the equipment from the patient's home. At the same time the PCT for England and LHB for Wales should inform the Pricing Authority of the details and date of removal notification

X

**18. EMERGENCY SUPPLY FOR PATIENTS USING A CONCENTRATOR THROUGH OXYGEN CYLINDER CONTRACTORS**

- 18.1 When emergency back-up oxygen is prescribed it will normally be supplied by the concentrator supplier. However, where **exceptionally** supply is made through a cylinder contractor it is important that the PCT for England and LHB for Wales identifies the patient and notifies the Pricing Authority so that the patient's records can be co-ordinated.
- 18.2 PCTs for England and LHBs for Wales should make alternative arrangements for supply to be made through the concentrator supplier as soon as possible.

**19. THE TRANSFER OF A PATIENT USING CYLINDERS TO USE OF A CONCENTRATOR**

- 19.1 Some patients who are prescribed cylinder oxygen may reach a point where their oxygen requirements are such that supply would be more appropriate and cost effective by concentrator (see paragraph 14.6. above). The PCT for England and LHB for Wales should contact the patient's general practitioner to consider whether the prescription of a concentrator would be a more appropriate form of providing oxygen therapy. Or a GP, in reviewing his patient's needs may decide that a concentrator service is more appropriate - in which case, he should follow the procedure at paragraph 15 above. In such cases, a close liaison between the doctor, the concentrator supplier and the patient's existing cylinder supplier will be necessary to ensure that the patient receives sufficient cylinder oxygen to meet his needs until the concentrator is installed.
- 19.2 PCTs for England and LHBs for Wales should ensure the oxygen cylinder contractors are aware of concentrator installations and that they withdraw their equipment and any cylinders (empty or full) from the patient's home as soon as possible after the concentrator has been installed.

---

**HOME OXYGEN THERAPY SERVICE**


---

**20. CONCENTRATOR SERVICE: EQUIPMENT WHICH MAY BE PRESCRIBED**

Oxygen concentrator -  
 Accessories - face mask, nasal cannula, humidifier  
 Emergency back-up supply (comprising regulator, tubing, administration mask and cylinder of oxygen BP).

Oxygen concentrators together with face mask, nasal cannulae and humidifiers are included in the approved list of appliances and can be obtained in the area of the PCTs for England and LHBs for Wales listed in column 1 in the table below from the suppliers listed in column 2 of that table opposite those Authorities.

**21. CLAIMS FOR PAYMENT**

Concentrator service contractors shall despatch prescription forms together with the appropriate claim forms to the Pricing Authority not later than the fifth day of the month following that in which the supply was made.

22

<b>Regional Groups of PCTs for England and HAs for Wales</b>	<b>Concentrator Supplier</b>
<b>South Western</b>	
Avon	BOC Gases
Berkshire	
Buckinghamshire	Telephone
Cornwall & Isles of Scilly	Dial 0800 136603
Devon (S & W)	(Free of Charge)
Dorset	
Exeter & N Devon	
Gloucestershire	
Hampshire (N & Mid)	
IOW	
Oxfordshire	
Portsmouth & SE Hampshire	
Somerset	
Southampton & SW Hampshire	
Wiltshire	
 <b>West Midlands</b>	
Birmingham	De Vilbiss Medequip Ltd
Coventry	High Street
Derbyshire (N & Southern)	Wollaston
Dudley	DY8 4PS
Herefordshire	
Leicestershire	Telephone
Northamptonshire	Dial 0800 020202
Nottinghamshire ( & N Notts)	(Free of Charge)
Sandwell	
Shropshire	
Solihull	
Staffordshire (N & S)	
Walsall	
Warwickshire	
Wolverhampton	
Worcestershire	

## HOME OXYGEN THERAPY SERVICE

23

<b>Regional Groups of PCTs for England and HAs for Wales</b>	<b>Concentrator Supplier</b>
<b>Central and South Wales</b>	
Bro Taf	Medical Group Air Products PLC
Dyfed Powys	Weston Road
Gwent	Crewe
Iechyd Morgannwg	Cheshire
	CW1 6BT
	Telephone
	Dial 0800 373580
	(Free of Charge)
<b>North Western and North Wales</b>	
Bury & Rochdale	De Vilbiss Medequip Ltd
Cheshire (N & S)	High Street
Lancashire (E, NW & S)	Wollaston
Liverpool (St Helens & Knowsley, Sefton & Wirral)	DY8 4PS
Manchester	
Morecambe Bay	Telephone
North Wales	Dial 0800 020202
Salford & Trafford	(Free of Charge)
Stockport	
West Pennine	
Wigan & Bolton	
<b>London North</b>	
Barking, Havering	De Vilbiss Medequip Ltd
Barnet	High Street
Brent & Harrow	Wollaston
Camden and Islington	DY8 4PS
City and E London	
Enfield & Haringey	Telephone
Hertfordshire (E & N and W)	Dial 0800 020202
Redbridge & Waltham Forest	(Free of Charge)
<b>Eastern</b>	
Anglia (NW)	De Vilbiss Medequip Ltd
Bedfordshire	High Street
Cambridge & Huntingdon	Wollaston
Essex (N & S)	DY8 4PS
Norfolk (E)	
Suffolk	Telephone
	Dial 0800 020202
	(Free of Charge)

X

---

**HOME OXYGEN THERAPY SERVICE**


---

<b>Regional Groups of PCTs for England and HAs for Wales</b>	<b>Concentrator Supplier</b>
<b>London South</b>	
Bromley	BOC Gases
Croydon	
Ealing, Hammersmith and Hounslow	Telephone
East Sussex, Brighton & Hove	Dial 0800 136603
Greenwich & Bexley	(Free of Charge)
Hillingdon	
Kensington, Chelsea and Westminster	
Kent (E & W)	
Kingston & Richmond	
Lambeth, Southwark and Lewisham	
Merton, Sutton and Wandsworth	
Surrey (E & W)	
Sussex (W)	
<b>Yorkshire (South &amp; West) and Humberside</b>	
Barnsley	Medical Group Air Products PLC
Bradford	Weston Road
Calderdale & Kirklees	Crewe
Doncaster	Cheshire
E Riding & S. Humber	CW1 6BT
Leeds	
Lincolnshire	Telephone
North Lindsey	Dial 0800 373580
Rotherham	(Free of Charge)
Sheffield	
Wakefield	
<b>Northern</b>	
Cumbria (N)	Medical Group Air Products PLC
Durham	Weston Road
Gateshead & S Tyneside	Crewe
Newcastle & N Tyneside	Cheshire
Northumberland	CW1 6BT
N Yorkshire	
Sunderland	Telephone
Tees	Dial 0800 373580
	(Free of Charge)



---

**EXIT PAYMENTS (PHARMACY CONTRACTORS)**


---

**1. Interpretation**

In this part -

“Authority” (except in the term “Pricing Authority”) means the PCT for England and LHB for Wales in whose locality the pharmacy is located.

“pharmacy” means any premises where drugs are provided by a pharmacist as part of pharmaceutical services under section 41 (arrangements for pharmaceutical services) of the Act and for which a pharmacy contractor is claiming an Exit Payment.

**2. Entitlement****2.1 Where**

2.1.1 the pharmacy dispensed less than 30,000 prescription items in the year ending 31 March 2005;

2.1.2 the pharmacy is still providing services as at 1 April 2005;

2.1.3 the pharmacy has not changed ownership since 31 March 2005; and

2.1.4 the pharmacy contractor advises the Authority in writing by 31 March 2006 of his decision no longer to provide pharmaceutical services from the pharmacy

the pharmacy contractor will, subject to 2.2 below, be entitled to an Exit Payment of £10,000 or the total Professional Allowance that a pharmacy contractor received in 2004/05, whichever is greater, giving a range of £10,000-£18,000.

2.2 Any allowances for the electronic transmission of prescriptions (ETP), if already paid, will be deducted from the Exit Payment which would otherwise be payable.

2.3 Where the pharmacy contractor is eligible for payments under Part XII (Essential Small Pharmacy Scheme), the pharmacy contractor must give the Authority three months notice of his intention no longer to provide pharmaceutical services from the pharmacy and to claim an Exit Payment. The Exit Payment for such a pharmacy will be calculated on the basis of the Professional Allowance such a pharmacy would have received according to the actual number of prescription items submitted, and reimbursed by the Pricing Authority, were it not eligible for payment under Part XII, or £10,000, whichever is greater. Paragraph 2.2 also applies.

**XI**

**3. Payments**

3.1 The Authority will notify the Pricing Authority of any payment that is due, at the date the pharmacy is removed from the pharmaceutical list.

---

**EXIT PAYMENTS (PHARMACY CONTRACTORS)**

---

This Page is Intentionally Blank

---

**ESSENTIAL SMALL PHARMACIES SCHEME (ESPS)**


---

For England, ESPS arrangements will continue until 31 March 2006 for those pharmacy contractors in receipt of ESPS payments as at 1 November 2005. A Standard Form LPS has been developed for those meeting similar criteria to current ESPS provisions to provide services after 1 April 2006. Details are set out in Local Pharmaceutical Services (Essential Small Pharmacies) Directions 2005, available on DH website at [www.dh.gov.uk/localpharmaceuticalservices](http://www.dh.gov.uk/localpharmaceuticalservices). Provided conditions are met Primary Care Trusts will enter into ESPLPS agreements with such pharmacies.

For those pharmacies not transferring to the new arrangements (ESPLPS), which were previously designated ESPS as "special consideration" cases and those ESPS pharmacies that dispensed less than 6,000 items per annum, ESPS arrangements shall continue until 31 March 2007.

For Wales, the ESPS arrangements will continue.

ESPS arrangements for those pharmacy contractors qualifying for ESPS payments from April 2005 are as follows:

**1. Interpretation**

In this Part -

"Authority" means the PCT for England and LHB for Wales in whose locality the premises are located;

"Contractor" means only the pharmacy contractor whose name is included in a pharmaceutical list of the Authority;

"pharmacy" means a pharmacy at premises from which the contractor supplies pharmaceutical services;

"premises" means the premises from which the contractor provides pharmaceutical services;

"year" means the period from 1 April in any one year to 31 March of the following year.

**2. Entitlement**

2.1 Where, in any year -

2.1.1 the pharmacy dispenses fewer than 26,400 prescriptions; and

2.1.2 that pharmacy is more than 1 kilometre by the nearest practicable route available to the public on foot from the next nearest pharmacy or is less than 1 kilometre but previously qualified as a special consideration case and the circumstances of the pharmacy remain unchanged; and

2.1.3 in the case of pharmacy which has, in the year immediately preceding that year, dispensed fewer than 6,000 prescriptions, the authority certifies in writing at the beginning of that year that the pharmacy is essential to the proper provision of pharmaceutical services, the contractor shall, subject to the following subparagraphs, be entitled to ESPS payments calculated in accordance with paragraph 3 below.

(Note. No new special consideration cases will be entertained).

2.2 A contractor shall be entitled to claim ESPS payments in 2005/06 if, on or before 31 January 2005, he estimates, on the basis of the number of prescriptions dispensed in the preceding twelve months or having regard to any special circumstances, that the number of items to be dispensed in the next year will be less than 26,400.

2.3 The contractor shall apply to the Authority for ESPS payments, in the form specified (Form ESPS1 for contractors on the list not less than 10 months at 31 January 2005 and Form ESPS2 for those on list less than 10 months) on or before 31 January 2005.

2.4 On 1 April 2005, or as soon as practicable thereafter, but before any payment is made, the contractor shall declare to the Authority his estimate of the number of prescriptions dispensed by the pharmacy in the year just ended, if the Authority is satisfied that -

2.4.1 that number is less than 26,400

2.4.2 that the number of prescriptions to be dispensed in the year to which the claim relates is unlikely to exceed 26,400 and

**ESSENTIAL SMALL PHARMACIES SCHEME (ESPS)**

- 2.4.3 the conditions set out in sub-paragraph 2.1.2 and 2.1.3 above are met, payments shall be made by the Authority in accordance with paragraph 3, subject to the conditions in sub-paragraphs 2.5 and 2.6.
- 2.5 The Authority, will as soon in the current financial year as they have available the Pricing Authority figure of prescriptions dispensed by the contractor during the preceding financial year, compare this with the contractor's declared estimated figure (sub-paragraph 2.4 above) and if the PA figure of prescriptions dispensed in the previous financial year is 26,400 or more, the ESPS payments made so far in the current financial year shall be recovered from the contractor in the 3 months following that in which the last ESPS payment was made.
- 2.6 Where, at any time in any year during which ESPS payments are made to the contractor in respect of a pharmacy.
- 2.6.1 the number of prescriptions dispensed by that pharmacy exceeds 26,400 the contractor shall be deemed not to have been entitled to ESPS payments for that year in respect of that pharmacy, and any such payment made to him in that year shall be recovered from the remuneration due to him in the 3 months immediately following the month in which the number of prescriptions dispensed reached 26,400.
- 2.6.2 a second contractor begins to provide pharmaceutical services from a pharmacy at premises which are less than 1 kilometre by the nearest practicable route available to the public on foot from the premises of the first contractor, payment to the first contractor shall continue at the full rate for the remainder of the year and will then cease.
- 2.6.3 in a case to which sub-paragraph 2.1.3 applies, the Authority decides that the pharmacy is no longer essential, it shall notify the contractor and after the date of that notification no further ESPS payments shall be paid in that year in respect of that pharmacy.
- 2.7 For Wales, where the provision by the contractor of pharmaceutical services from any premises has just begun, the preceding sub-paragraphs shall be modified as follows:  
In England, where the provision by the contractor of pharmaceutical services from any premises has begun after 31 January 2005 and before 31 October 2005, or the Authority is satisfied there is a substantial change of circumstances such as to entitle the contractor to claim ESPS, the preceding sub-paragraphs shall be modified as follows, but these provisions are not available to pharmacies beginning services by virtue of Regulation 35(3):-
- 2.7.1 the contractor may apply to the Authority for ESPS payments, in the form specified (Form ESPS2) at any time during the year;
- 2.7.2 he shall be entitled to ESPS payments if -
- 2.7.2.1 in the case of a contractor who is providing services from premises from which, immediately before the day on which he began to provide those services, those services were provided by another contractor, the number of prescriptions dispensed in the twelve months immediately preceding that day was less than 26,400;
- 2.7.2.2 in any other case, he estimates, and the Authority is satisfied that, less than 26,400 prescriptions will be dispensed in the first twelve months of the provision of pharmaceutical services, and
- 2.7.2.3 in any case the condition in sub-paragraph 2.1.2 is satisfied;
- 2.7.3 any entitlement shall begin -
- 2.7.3.1 if the claim is made within 3 months of the entry on the list in question, from the date of entry;
- 2.7.3.2 in any case, from the date on which the application is made.
- 2.8 For England, no payment under these arrangements will be payable after 31 March 2006, except payments that represent adjustments appropriate to the year ended 31 March 2006.

**3. Payments**

---

**ESSENTIAL SMALL PHARMACIES SCHEME (ESPS)**


---

- 3.1 From 1 April 2005, ESPS payments shall be the difference between one-twelfth of the target payment (£56,253) and the remuneration due (i.e. professional fees as in Part IIIA and any payments made under Part VIA but excluding payments made under Part IIIA 2.F), subject to para 3.3 below. See worked example.
- 3.2 Payments shall be made in arrears.
- 3.3 From 1 April 2005, the maximum monthly payment shall be £4,078. If in any month the contractor is entitled to more than the maximum payment, the amount due shall be carried forward and paid in the following month, again subject to the maximum monthly payment applicable to that second month.
- 3.4 Any over, or any under, ESPS payment shall be if necessary, corrected in the remuneration paid in the first month of the following year.
- 3.5 Where a contractor normally provides pharmaceutical services at a pharmacy for less than 40 hours a week, any ESPS payment shall be calculated by reference to the following formula:
- 3.5.1 From 1 April 2005 to 30 September 2005, average hours/30 x payments appropriate to a full-time pharmacy with the same prescription volume, as determined by the Secretary of State for Health as respects England and the National Assembly for Wales as respects Wales.
- 3.5.2 From 1 October 2005, average hours/35 x payments appropriate to a full-time pharmacy with the same prescription volume, as determined by the Secretary of State for Health as respects England and the National Assembly for Wales as respects Wales.
- 4. Worked Example**
- 4.1 Month 1.
- April calculate 1/12 of target payment £56,253
- make ESPS payment of the difference between calculated amount and remuneration due.
- 4.2 Month 2.
- May calculate 2/12 of target payment £56,253
- make ESPS payment of the difference between calculated amount and sum of total payment of remuneration due plus ESPS made in month 1 and remuneration due in month 2.
- 4.3 Month 3.
- June calculate 3/12 of target payment £56,253
- make ESPS payment of difference between calculated amount and sum of total payments made in months 1 and 2 and remuneration due in month 3.

---

**ESSENTIAL SMALL PHARMACIES SCHEME (ESPS)**

---

This Page is Intentionally Blank

---

**PAYMENTS IN RESPECT OF PRE-REGISTRATION TRAINEES**

---

1. From 1 April 2005 a grant of £16,440 is payable to pharmacy contractors who provide the pre-registration training experience needed by pharmacy graduates and certain undergraduates for admission to the Royal Pharmaceutical Society of Great Britain's Register of Pharmaceutical Chemists. The grants are payable at annual rates, determined annually in respect of each pre-registration training place filled by a pharmacy graduate or an undergraduate on a sandwich course recognised by the Royal Pharmaceutical Society of Great Britain as pre-registration training.
2. Pharmacy contractors who have undertaken to provide pre-registration training should submit a claim to the PCT for England and LHB for Wales at the start of the training period. PCTs for England and LHBs for Wales will arrange for the payment to be made monthly in arrears. Contractors MUST notify the PCT for England and LHB for Wales immediately in writing if the arrangement to provide pre-registration training ceases.

---

**PAYMENTS IN RESPECT OF PRE-REGISTRATION TRAINEES**

---

This Page is Intentionally Blank



---

**REWARD SCHEME - FRAUDULENT PRESCRIPTION FORMS**


---

Payments to chemists who claim a payment under Regulation 59(1) of the National Health Service (Pharmaceutical Services) Regulations 2005 for England and The National Health Service (Pharmaceutical Services)(Amendment)(Wales) Regulations 2005.

The Scheme allows chemists to claim a financial reward where they have identified a fraudulent prescription form and thereby either prevented fraud or contributed with valuable information to the investigation of fraud. A reward is payable where:

- fraudulent activity can be proven
- the conditions for the scheme are met as set out below.

Slightly different versions of the Scheme apply in England and Wales.

**PART I: ENGLAND**

The NHS Counter Fraud and Security Management Service (Referred to below as the Authority) is responsible for receiving and considering claims for reward payments in England.

The Scheme applies to all claims which are received by the Authority on or after 7 May 2003.

*Retention and Reporting Reward:* claims where a chemist -

- (a) has not provided the drugs, medicines or listed appliances ordered on the fraudulent prescription form, or
- (b) has provided the drugs, medicines or listed appliances ordered on the fraudulent prescription form, but had reason to believe at the time or subsequently came to have reason to believe that the form is fraudulent,

and reports this to the relevant authorities as laid out below.

The chemist will be eligible for a payment of £70, where all the conditions for *either* the retention element of the reward or the reporting element of the reward are met. Only one reward will be payable for each dispensing occasion.

The conditions for the *retention* element of the reward are:

- i the drugs, medicines or listed appliances specified on the fraudulent prescription form have not been provided, the prescription form has been retained by the chemist, and the Primary Care Trust has been informed as soon as practicable, in accordance with Regulation 18B(1)(i);
- ii a claim is made by contacting the Authority as soon as practicable, normally within 7 days of the form having been presented. A claim form provided by the Authority must be completed and returned to the Authority, along with the original prescription form, normally within 28 days of the form having been presented; and
- iii the form presented as a prescription form was not a genuine order for the person named on the form. An order would not be a genuine order if, for example, it had been stolen or counterfeited and not signed by an authorised prescriber; or had been altered otherwise than by the authorised prescriber by whom it was issued.

**XIV**

The conditions for the *reporting* element of the reward are:

- i the drugs, medicines or listed appliances specified on the fraudulent prescription form have been dispensed, but the chemist has reason to believe at the time or subsequently comes to have reason that the order is not genuine;
- ii the chemist has notified the Primary Care Trust as soon as practicable, in accordance with Regulation 18B(1)(ii);
- iii a claim is made by contacting the Authority as soon as practicable, normally within 7 days of the form having been presented. A claim form provided by the Authority must be completed and returned to the Authority along with the original prescription form, normally within 28 days of the form having been presented;

**REWARD SCHEME - FRAUDULENT PRESCRIPTION FORMS**

- 
- iv a detailed explanation of why the chemist felt it necessary to dispense must be included on the claim form. A reward will only be payable where the Authority is satisfied that the chemist had good and sufficient reasons to dispense; and
  - v the form presented as a prescription form was not a genuine order for the person named on the form. An order would not be a genuine order if, for example, it had been stolen or counterfeited and not signed by an authorised prescriber; or had been altered otherwise than by the authorised prescriber by whom it was issued.

Where the time-limits for either contacting the Authority and the Primary Care Trust or for returning a claim form to the Authority, as specified above, are exceeded, the Authority will nevertheless consider a claim if there are exceptional circumstances justifying the delay.

**Pharmacists who are eligible to claim a reward under the scheme should contact:****England**

Alan Harrison  
 NHS Counter Fraud and Security Management Service  
 PO Box 331  
 Newcastle-upon-Tyne  
 NE99 1GU

Freephone: 0800-068-6161  
 Fax: 0191-203-5730

**PART II: WALES**

Health Solutions Wales (Velindre NHS Trust) (referred to below as HSW) is responsible for receiving and considering claims for reward payments in Wales.

The Scheme applies to all claims which are received by HSW on or after 1 February 2003.

*Retention and Reporting Reward:* claims where a chemist -

- (a) has not provided the drugs, medicines or listed appliances ordered on the fraudulent prescription form,  
or
- (b) has provided the drugs, medicines or listed appliances ordered on the fraudulent prescription form, but had reason to believe at the time or subsequently came to have reason to believe that the form is fraudulent,

and reports this to the relevant authorities as laid out below.

The chemist will be eligible for a payment of £70, where all the conditions for *either* the retention element of the reward *or* the reporting element of the reward are met. Only one reward will be payable for each dispensing occasion.

The conditions for the retention element of the reward are:

- i the drugs, medicines or listed appliances specified on the fraudulent prescription form have not been provided, the prescription form has been retained by the chemist, and the Local Health Board has been informed immediately, in accordance with regulation 18B(1)(i);
  - ii a claim is made by contacting the Local Health Board as soon as practicable, normally within 7 days of the form having been presented. A claim form provided by the Local Health Board must be completed and returned to HSW, along with the original prescription form, normally within 28 days of the form having been presented; and
  - iii the form presented as a prescription form was not a genuine order for the person named on the form. An order would not be a genuine order if, for example, it had been stolen or counterfeited and not signed by an authorised prescriber; or had been altered otherwise than by the authorised prescriber by whom it was issued.
-

---

**REWARD SCHEME - FRAUDULENT PRESCRIPTION FORMS**

---

The conditions for the reporting element of the reward are:

- i the drugs, medicines or listed appliances specified on the fraudulent prescription form have been dispensed, but the chemist believes at the time or subsequently comes to believe that the order is not genuine;
- ii the chemist has notified the Local Health Board as soon as practicable, and in any case within 14 days of the order being presented to the chemist, in accordance with regulation 18B(1)(ii);
- iii a claim is made by contacting the Local Health Board as soon as practicable. A claim form provided by the Local Health Board must be completed and returned to HSW along with the original prescription form, normally within 28 days of the form having been presented;
- iv a detailed explanation of why the chemist felt it necessary to dispense must be included on the claim form. A reward will only be payable where HSW is satisfied that the chemist had good and sufficient reasons to dispense; and
- v the form presented as a prescription form was not a genuine order for the person named on the form. An order would not be a genuine order if, for example, it had been stolen or counterfeited and not signed by an authorised prescriber; or had been altered otherwise than by the authorised prescriber by whom it was issued.

Where the time-limits for either contacting HSW and the Local Health Board or for returning a claim form to HSW, as specified above, are exceeded, HSW will nevertheless consider a claim if there are exceptional circumstances justifying the delay.

**Pharmacists who are eligible to claim a reward under the scheme should contact:**

**Wales**  
Margaret Willis  
Health Solutions Wales  
Brunel House  
Fitzalan Road  
Cardiff  
CF24 0HA  
Tel: 029 2050 0500

**REWARD SCHEME - FRAUDULENT PRESCRIPTION FORMS**

---

This Page is Intentionally Blank

---

**BORDERLINE SUBSTANCES**

---

**Borderline Substances**

In certain conditions some foods and toilet preparations have characteristics of drugs and the Advisory Committee on Borderline Substances advises as to the circumstances in which such substances may be regarded as drugs. The Advisory Committee's recommendations are listed below. Prescriptions issued in accordance with the Committee's advice and endorsed "ACBS" will normally not be investigated.

Manufacturers wishing to notify changes to their products should contact the ACBS by post: c/o NICE, MidCity Place, 71 High Holborn, Holborn. WC1V 6NA.

**LIST A**

This is an alphabetical index of products which the ACBS has recommended for the management of the conditions shown under each product.

**General Practitioners are reminded that the Advisory Committee on Borderline Substances recommends products on the basis that they may be regarded as drugs for the treatment of specified conditions. Doctors should satisfy themselves that the products can be safely prescribed, that patients are adequately monitored and that, where necessary, expert hospital supervision is available. Prescriptions for products recommended by the Committee should be endorsed "ACBS".**

Note: The Committee has recommended a number of products as complete feeds for certain conditions. They may be prescribed both as sole sources of nutrition and as necessary nutritional supplements prescribable on medical grounds.

**Definitions**

1. The Committee has defined proven lactose or sucrose intolerance as "A condition of intolerance to an intake of the relevant disaccharide confirmed by:

- (i) demonstrated clinical benefit of the effectiveness of the disaccharide free diet;  
and
  - (ii) the presence of reducing substances and/or excessive acid (1.00pH) in the stools, a low concentration of the correspondent disaccharidase enzyme on intestinal biopsy, or by breath tests or lactose tolerance tests."
2. The Committee has defined proven whole protein sensitivity as "Intolerance to whole protein, proven by at least two withdrawal and challenge tests, as suggested by an accurate dietary history."
3. The Committee has defined dysphagia as that associated with "Intrinsic disease of the oesophagus, eg. oesophagitis; neuromuscular disorders, eg. multiple sclerosis and motor neurone disease; major surgery and/or radiotherapy for cancer of the upper digestive tract; protracted severe inflammatory disease of the upper digestive tract, eg. Stevens-Johnson Syndrome and epidermolysis bullosa."

---

**BORDERLINE SUBSTANCES**

---

---

**LIST A**

---

**AGLUTELLA LOW-PROTEIN PRODUCTS**

See: Low-Protein Products

**ALCOHOLIC BEVERAGES**

See: Rectified Spirit

**ALEMBICOL-D (MCT OIL)**

Steatorrhoea associated with cystic fibrosis of the pancreas, intestinal lymphangiectasia, surgery of the intestine, chronic liver disease, liver cirrhosis, other proven malabsorption syndromes, a ketogenic diet in the management of epilepsy and in type 1 hyperlipoproteinaemia.

**AMINOGRAN FOOD SUPPLEMENT**

Phenylketonuria

**AMINOGRAN MINERAL MIXTURE**

Phenylketonuria and as a mineral supplement in synthetic diets.

**AMINOGRAN PKU TABLETS**

For use in the dietary management of phenylketonuria. Not to be prescribed for any child under 8 years of age.

**ANALOG MSUD**

Maple Syrup Urine Disease

**ANALOG RVHB**

Hypermethioninaemia, homocystinuria

**ANALOG XLYS**

Hyperlysinaemia

**ANALOG XMET, THRE, VAL, ISOLEU**

Methylmalonic acidaemia, propionic acidaemia

**ANALOG XP**

Phenylketonuria

**ANALOG XP LPC**

Phenylketonuria in infants and children under two years of age.

**ANALOG XPHEN, TYR****ANALOG XPHEN, TYR, MET**

Tyrosinaemia

**APROTEN GLUTEN-FREE AND LOW-PROTEIN PRODUCTS**

See: Gluten-Free and Low-Protein Products.

**ARNOTT'S GLUTEN-FREE PRODUCTS**

See: Gluten-Free Products.

**A.S. SALIVA ORTHANA**

Patients suffering from a dry mouth as a result of having or having undergone radiotherapy or sicca syndrome/Xerostomia.

**AVEENO BABY COLLOIDAL****AVEENO BATH OIL****AVEENO COLLOIDAL****AVEENO CREAM****AVEENO LOTION**

Endogenous and exogenous eczema, xeroderma, ichthyosis and senile pruritus associated with dry skin.

**BAKERS DELIGHT**

See: Gluten-Free Products

**BORDERLINE SUBSTANCES****BARKAT GLUTEN-FREE PRODUCTS**

See: Gluten-Free Products.

**BI-AGLUT GLUTEN-FREE PRODUCTS**

See: Gluten-Free Products.

**BIOTENE ORALBALANCE DRY MOUTH SALIVA REPLACEMENT GEL**

Patients suffering from a dry mouth as a result of having or having undergone radiotherapy or sicca syndrome/Xerostomia.

**BIOXTRA MOISTURING GEL**

Patients suffering from a dry mouth as a result of having or having undergone radiotherapy or sicca syndrome/Xerostomia.

**CALOGEN**

Disease related malnutrition, malabsorption states or other conditions requiring fortification with a high fat supplement.

**CALOGEN BANANA****CALOGEN BUTTERSCOTCH****CALOGEN STRAWBERRY**

For use in the dietary management of disease-related malnutrition, malabsorption states, or other conditions requiring fortification with a high fat supplement, with or without fluid and electrolyte restrictions.

**CALOREEN**

Disease related malnutrition, malabsorption states or other conditions requiring fortification with a high or readily available carbohydrate supplement.

**CALSHAKE**

Disease related malnutrition, malabsorption states or other conditions requiring fortification with a fat/carbohydrate supplement.

**CALSIP**

Disease related malnutrition, malabsorption states or other conditions requiring fortification with a high or readily available carbohydrate supplement.

**CAPRILON**

Disorders in which a high intake of MCT is beneficial

**CASILAN 90**

Biochemically proven hypoproteinaemia.

**CLINUTREN DESSERT**

As a necessary nutritional supplement prescribed on medical grounds for:

Short bowel syndrome, intractable malabsorption, pre-operative preparation of patients who are undernourished, patients with proven inflammatory bowel disease, following total gastrectomy, dysphagia, bowel fistulae, disease-related malnutrition, continuous ambulatory peritoneal dialysis (CAPD) and haemodialysis. Not suitable for any child under 3 years; maximum recommended amount of 3 units for 3+ to 6 years.

**CLINUTREN FRUIT**

As a necessary nutritional supplement prescribed on medical grounds for:

Short bowel syndrome, intractable malabsorption, pre-operative preparation of patients who are undernourished, patients with proven inflammatory bowel disease, following total gastrectomy, dysphagia, bowel fistulae, disease-related malnutrition. Not suitable for any child under 3 years; maximum recommended amount of 3 units for 3+ to 6 years.

**CLINUTREN 1.5****CLINUTREN 1.5 FIBRE**

For use as the sole source of nutrition or as a necessary nutritional supplement prescribed on medical grounds for:

Short bowel syndrome, intractable malabsorption, pre-operative preparation of patients who are undernourished, proven inflammatory bowel disease, following total gastrectomy, dysphagia and disease related malnutrition.

**BORDERLINE SUBSTANCES****CLINUTREN ISO**

For use as the sole source of nutrition or as a necessary nutritional supplement prescribed on medical grounds for:

Short bowel syndrome, intractable malabsorption, pre-operative preparation of patients who are undernourished, patients with proven inflammatory bowel disease, following total gastrectomy, dysphagia, bowel fistulae, disease-related malnutrition. Not suitable for any child under 3 years; not suitable as a sole source of nutrition for patients under 6 years; maximum recommended amount of 3 units for 3+ to 6 years.

**CLINUTREN JUNIOR (formerly SONDALIS JUNIOR)**

For use as the sole source of nutrition, or as a necessary nutritional supplement prescribed on medical grounds for:

Short bowel syndrome, intractable malabsorption, pre-operative preparation of patients who are undernourished, patients with proven inflammatory bowel disease, following total gastrectomy, dysphagia, bowel fistulae, disease-related malnutrition, growth failure in children aged 1-10 years. Not to be prescribed for any child under one year.

**CLINUTREN THICKENER****CLINUTREN THICKENED DRINKS**

Thickening of foods and fluids in dysphagia. Not to be used for children under three years of age.

**COLIEF**

Is indicated for: the relief of symptoms associated with lactose intolerance, provided that lactose intolerance is confirmed by the presence of reducing substances and/or excessive acid in stools, a low concentration of the corresponding disaccharide enzyme on intestinal biopsy or by breath hydrogen test or lactose intolerance test.

**COMMUNUTED CHICKEN MEAT (SHS)**

Carbohydrate intolerance in association with possible or proven intolerance of milk, glucose and galactose intolerance.

**COMPLAN READY-TO-DRINK**

For use as the sole source of nutrition or as a necessary nutritional supplement prescribed on medical grounds for:

Short bowel syndrome, intractable malabsorption, pre-operative preparation of patients who are undernourished, patients with proven inflammatory bowel disease, following total gastrectomy, dysphagia, bowel fistulae, disease-related malnutrition. Not to be prescribed for any child under one year; use with caution for young children up to five years of age.

**CORN FLOUR AND CORN STARCH**

Hypoglycaemia associated with glycogen storage disease.

**COVERING CREAMS AND CONCEALMENT OF BIRTH MARKS**

Covermark Classic Foundation	Keromask Finishing Powder
Covermark Finishing Powder	Keromask Masking Cream
Dermacolor Camouflage Cream	Veil Cover Cream
Dermacolor Fixing Powder	Veil Finishing Powder

For post operative scars and other deformities and as adjunctive therapy in the relief of emotional disturbance due to disfiguring skin disease, such as vitiligo.

**COVERMARK PRODUCTS**

See: Covering Creams

**COW & GATE PEPTI**

For the dietary management in established cows' milk protein intolerance with/without proven secondary lactose intolerance.

**DELPH SUN LOTION SPF15, SPF20, SPF25, SPF30**

Protection from UV radiation in abnormal cutaneous photosensitivity resulting from genetic disorders or photodermatoses, including vitiligo and those resulting from radiotherapy, chronic or recurrent herpes simplex labialis.

**DERMACOLOR CAMOUFLAGE SYSTEM**

See: Covering Creams

**DEXTROSE**

Glycogen storage disease and sucrose/isomaltose intolerance.



**BORDERLINE SUBSTANCES****DIALAMINE**

Oral feeding where essential amino acid supplements are required, for example chronic renal failure, hypoproteinaemia, wound fistula leakage with excessive protein loss, conditions requiring a controlled nitrogen intake and haemodialysis.

**DIETARY SPECIALS**

See: Gluten-Free Products

**DISINFECTANTS (ANTISEPTICS)**

May be prescribed on FPIO only when ordered in such quantities and with such directions as are appropriate for the treatment of patients, but not if ordered for general hygienic purposes.

**DUOBAR (strawberry, toffee, neutral)**

Disease related malnutrition, malabsorption states or other conditions requiring fortification with a fat/carbohydrate supplement.

**DUOCAL (LIQUID, MCT POWDER AND SUPER SOLUBLE)**

Disease related malnutrition, malabsorption states or other conditions requiring fortification with a fat/carbohydrate supplement.

**E45 EMOLLIENT BATH OIL****E45 EMOLLIENT WASH CREAM**

Endogenous and exogenous eczema, xeroderma, ichthyosis and senile pruritus associated with dry skin.

**E45 LOTION**

Symptomatic relief of dry skin conditions, such as those associated with atopic eczema and contact dermatitis.

**E45 SUN BLOCK SPF 25****E45 SUN BLOCK SPF 50**

Protection from UV radiation in abnormal cutaneous photosensitivity resulting from genetic disorders or photodermatoses, including vitiligo, and those resulting from radiotherapy; chronic or recurrent herpes simplex labialis.

**EASIPHEN**

For use in the dietary management of proven phenylketonuria in older children (above 8 years) and adults.

**ELEMENTAL 028 (FLAVOURED AND UNFLAVOURED)****ELEMENTAL 028 EXTRA****ELEMENTAL 028 EXTRA (LIQUID)**

For use as the sole source of nutrition or as a necessary nutritional supplement prescribed on medical grounds for:

Short bowel syndrome, intractable malabsorption, patients with proven inflammatory bowel disease, bowel fistulae. Not to be prescribed for any child under one year; use with caution for young children up to five years of age.

**EMSOGEN (FLAVOURED AND UNFLAVOURED)**

For use as the sole source of nutrition or as a necessary nutritional supplement prescribed on medical grounds for:

Short bowel syndrome, intractable malabsorption, patients with proven inflammatory bowel disease, bowel fistulae. Not to be prescribed for any child under one year; use with caution for young children up to five years of age.

**ENER-G GLUTEN-FREE AND LOW-PROTEIN PRODUCTS**

See: Gluten-Free and Low-protein Products

**ENER-G LOW-PROTEIN PRODUCTS**

See: Low-Protein Products

**ENER-G XANTHAN GUM**

For use in the dietary management of gluten sensitive enteropathies, including steatorrhoea due to gluten-sensitivity, coeliac disease, and dermatitis herpetiformis.

**ENERGIVIT**

For infants requiring additional energy, vitamins, minerals and trace elements following a protein restricted diet.

---

**BORDERLINE SUBSTANCES**

---

**ENFAMIL AR**

Significant reflux disease. For use not in excess of a 6-month period. Not to be used in conjunction with any other thickener or antacid product.

**ENFAMIL LACTOFREE**

Proven lactose intolerance.

**ENLIVE PLUS**

As a necessary nutritional supplement prescribed on medical grounds for:  
Disease related malnutrition, short bowel syndrome, intractable malabsorption, inflammatory bowel disease, bowel fistulae, dysphagia, following total gastrectomy and for pre-operative preparation of patients who are malnourished. It is not recommended for children under 1 year of age and should be used with caution in children under 5 years of age.

**ENMIX PLUS COMMENCE**

As a necessary nutritional supplement prescribed on medical grounds for:  
Short bowel syndrome, intractable malabsorption, pre-operative preparation of patients who are undernourished, patients with proven inflammatory bowel disease, following total gastrectomy, dysphagia, bowel fistulae, and disease-related malnutrition. Not to be prescribed for any child under one year; use with caution for young children up to five years of age.

**ENRICH**

For use as the sole source of nutrition or as a necessary nutritional supplement prescribed on medical grounds for:  
Short bowel syndrome, intractable malabsorption, pre-operative preparation of patients who are undernourished, patients with proven inflammatory bowel disease, following total gastrectomy, dysphagia, disease-related malnutrition. Not to be prescribed for any child under one year; use with caution for young children up to five years of age.

**ENRICH PLUS**

For use as a nutritional supplement for patients with disease-related malnutrition, continuous ambulatory peritoneal dialysis (CAPD) and haemodialysis, short bowel syndrome, intractable malabsorption, dysphagia, proven inflammatory bowel disease, bowel fistulae, gastrectomy and for pre-operative preparation of patients who are undernourished. Not to be prescribed for any child under one year; use with caution for young children up to five years of age.

**ENSHAKE (VANILLA AND STRAWBERRY FLAVOURS)**

Disease related malnutrition, malabsorption states or other conditions requiring fortification with a fat/carbohydrate supplement. Not suitable for children under 1 year.

**ENSURE****ENSURE 500ml READY TO HANG (VANILLA FLAVOUR ONLY)****ENSURE BAR**

As a necessary nutritional supplement prescribed on medical grounds for:  
Disease-related malnutrition, intractable malabsorption, total gastrectomy, proven inflammatory bowel disease, and pre-operative preparation of patients who are undernourished. Not to be prescribed for any child under two years; use with caution for young children up to five years of age.

**ENSURE PLUS LIQUID FEED****ENSURE PLUS YOGHURT STYLE**

As a necessary nutritional supplement prescribed on medical grounds for:  
Short bowel syndrome, intractable malabsorption, pre-operative preparation of patients who are undernourished, patients with proven inflammatory bowel disease, following total gastrectomy, dysphagia, bowel fistulae, disease-related malnutrition, continuous ambulatory peritoneal dialysis (CAPD), and haemodialysis. Not to be prescribed for any child under one year; use with caution for young children up to five years of age.

**FARLEY'S SOYA FORMULA**

Proven lactose and associated sucrose intolerance in pre-school children, galactokinase deficiency, galactosaemia and cow's milk protein intolerance.

**FATE LOW PROTEIN PRODUCTS**

See: Low-Protein Products

---

**BORDERLINE SUBSTANCES**

---

**FOODLINK COMPLETE**

As a necessary nutritional supplement prescribed on medical grounds for:

Short bowel syndrome, intractable malabsorption, pre-operative preparation of patients who are undernourished, patients with proven inflammatory bowel disease, following total gastrectomy, dysphagia, bowel fistulae, disease-related malnutrition. Not to be prescribed for any child under one year; use with caution for young children up to five years of age.

**FORMANCE**

As a necessary nutritional supplement prescribed on medical grounds for:

Short bowel syndrome, intractable malabsorption, pre-operative preparation of patients who are undernourished, patients with proven inflammatory bowel disease, following total gastrectomy, dysphagia, bowel fistulae, disease-related malnutrition, continuous ambulatory peritoneal dialysis (CAPD), and haemodialysis. Not to be prescribed for any child under one year; use with caution for young children up to five years of age.

**FORTICREME**

As a necessary nutritional supplement prescribed on medical grounds for:

Short bowel syndrome, intractable malabsorption, pre-operative preparation of patients who are undernourished, patients with proven inflammatory bowel disease, following total gastrectomy, dysphagia, bowel fistulae, disease-related malnutrition, continuous ambulatory peritoneal dialysis (CAPD) and haemodialysis. Not to be prescribed for any child under one year; use with caution for young children up to five years of age.

**FORTIFRESH**

For use as the sole source of nutrition or as a necessary nutritional supplement prescribed on medical grounds for:

Short bowel syndrome, intractable malabsorption, pre-operative preparation of patients who are undernourished, patients with proven inflammatory bowel disease, following total gastrectomy, dysphagia, bowel fistulae, disease-related malnutrition. Not to be prescribed for any child under one year; use with caution for young children up to five years of age.

**FORTIJUICE**

As a necessary nutritional supplement prescribed on medical grounds for:

Short bowel syndrome, intractable malabsorption, pre-operative preparation of patients who are undernourished, patients with proven inflammatory bowel disease, following total gastrectomy, dysphagia, bowel fistulae, disease-related malnutrition. Not to be prescribed for any child under one year; use with caution for young children up to five years of age.

**FORTINI****FORTINI MULTI FIBRE**

For use as a necessary nutritional supplement prescribed on medical grounds for:

Disease-related malnutrition and growth failure. Not to be prescribed for any child under one year.

**FORTIMEL**

As a necessary nutritional supplement prescribed on medical grounds for:

Short bowel syndrome, intractable malabsorption, pre-operative preparation of patients who are undernourished, patients with proven inflammatory bowel disease, following total gastrectomy, dysphagia, bowel fistulae, disease-related malnutrition. Not to be prescribed for any child under one year; use with caution for young children up to five years of age.

**FORTISIP BOTTLE****FORTISIP MULTIFIBRE**

As a necessary nutritional supplement prescribed on medical grounds for:

Short bowel syndrome, intractable malabsorption, pre-operative preparation of patients who are undernourished, patients with proven inflammatory bowel disease, following total gastrectomy, dysphagia, bowel fistulae, disease-related malnutrition. Not to be prescribed for any child under one year; use with caution for young children up to five years of age.

**FORTISIP PROTEIN**

Approved for short bowel syndrome, intractable malabsorption, pre-operative preparation of patients who are undernourished, proven inflammatory bowel disease, following total gastrectomy, bowel fistulae, disease-related malnutrition and dysphagia.

---

**BORDERLINE SUBSTANCES**

---

**FREBINI**

For use as the sole source of nutrition or as a necessary nutritional supplement prescribed on medical grounds for children aged 1-10 years or 8-30kg for:

Short bowel syndrome, intractable malabsorption, pre-operative preparation of patients who are undernourished, patients with proven inflammatory bowel disease, following total gastrectomy, dysphagia, bowel fistulae, disease-related malnutrition and/or growth failure. Not to be prescribed for any child under one year of age.

**FREBINI ENERGY****FREBINI ENERGY DRINK (STRAWBERRY AND BANANA FLAVOURS)****FREBINI ENERGY FIBRE DRINK****FREBINI ORIGINAL FIBRE PROTEIN**

As a sole source of nutrition, or as a nutritional supplement for children aged 1-6 years with disease-related malnutrition and/or growth failure, proven inflammatory bowel disease, following total gastrectomy, short bowel syndrome, intractable malabsorption, dysphagia, bowel fistulae, and for the pre-operative preparation of patients who are malnourished. Not to be prescribed for any child under one year.

**FREBINI ENERGY FIBRE**

As a sole source of nutrition, or as a nutritional supplement for children aged 1-10 years with disease-related malnutrition and/or growth failure, proven inflammatory bowel disease, following total gastrectomy, short bowel syndrome, intractable malabsorption, dysphagia, bowel fistulae, and for the pre-operative preparation of patients who are malnourished. Not to be prescribed for any child under one year.

**FRESUBIN ENERGY****FRESUBIN ENERGY FIBRE SIP FEED****FRESUBIN ENERGY FIBRE (NEUTRAL) TUBE FEED**

For use as the sole source of nutrition or as a necessary nutritional supplement prescribed on medical grounds for:

Short bowel syndrome, intractable malabsorption, pre-operative preparation of patients who are undernourished, patients with proven inflammatory bowel disease, following total gastrectomy, dysphagia, bowel fistulae, disease-related malnutrition. Not to be prescribed for any child under one year; use with caution for young children up to five years of age.

**FRESUBIN HP ENERGY**

As a necessary nutritional supplement prescribed on medical grounds for:

Short bowel syndrome, intractable malabsorption, pre-operative preparation of patients who are undernourished, patients with proven inflammatory bowel disease, following total gastrectomy, dysphagia, bowel fistulae, disease-related malnutrition continuous ambulatory peritoneal dialysis (CAPD), and haemodialysis. Not to be prescribed for any child under one year; use with caution for young children up to five years of age.

**FRESUBIN LIQUID AND SIP FEEDS**

For use as the sole source of nutrition or as a necessary nutritional supplement prescribed on medical grounds for:

Short bowel syndrome, intractable malabsorption, pre-operative preparation of patients who are undernourished, patients with proven inflammatory bowel disease, following total gastrectomy, dysphagia, bowel fistulae, disease-related malnutrition and Refsum's Disease. Not to be prescribed for any child under one year; use with caution for young children up to five years of age.

**FRESUBIN PROTEIN ENERGY DRINK**

As a necessary nutritional supplement prescribed on medical grounds for:

Short bowel syndrome, intractable malabsorption, pre-operative preparation of patients who are undernourished, patients with proven inflammatory bowel disease, following total gastrectomy, dysphagia, bowel fistulae, disease-related malnutrition continuous ambulatory peritoneal dialysis (CAPD), and haemodialysis. Not to be prescribed for any child under one year; use with caution for young children up to five years of age.

**BORDERLINE SUBSTANCES****FRESUBIN 1000 COMPLETE**

For use as the sole source of nutrition or as a necessary nutritional supplement prescribed on medical grounds for:

Short bowel syndrome, intractable malabsorption, pre-operative preparation of patients who are undernourished, patients with proven inflammatory bowel disease, following total gastrectomy, dysphagia, bowel fistula, disease-related malnutrition. Not to be prescribed for any child under one year; use with caution for young children up to five years of age.

**FRESUBIN 1200 COMPLETE**

For use as the sole source of nutrition or as a necessary nutritional supplement prescribed on medical grounds for:

Short bowel syndrome, intractable malabsorption, pre-operative preparation of patients who are undernourished, patients with proven inflammatory bowel disease, following total gastrectomy, bowel fistulae, disease-related malnutrition. Not to be prescribed for any child under five years of age.

**FRUCTOSE**

Proven glucose/galactose intolerance.

**GADSBYS GLUTEN FREE PRODUCTS**

See: Gluten-Free Products.

**GALACTOMIN 17**

Proven lactose intolerance in pre-school children, galactosaemia and galactokinase deficiency.

**GALACTOMIN 19 (FRUCTOSE FORMULA)**

Glucose plus galactose intolerance.

**GENERAID**

Patients with chronic liver disease and/or porto-hepatic encephalopathy.

**GENERAID PLUS**

Children over one year of age with hepatic disorders.

**GLANDOSANE**

Patients suffering from a dry mouth as a result of having or having undergone radiotherapy or sicca syndrome/Xerostomia.

**GLUCOSE**

Glycogen storage disease and sucrose/isomaltose intolerance.

**GLUTAFIN GLUTEN-FREE PRODUCTS**

See: Gluten-Free Products.

**GLUTANO GLUTEN-FREE PRODUCTS**

See: Gluten-Free Products.

**GLUTEN-FREE PRODUCTS (Not necessarily low-protein, lactose or sucrose free).**

\* For established gluten enteropathy with coexisting established wheat sensitivity only

Aproten gluten-free flour  
 Arnott's gluten-free rice cookies  
 Baker's Delight wheat, gluten and dairy free bread  
 Barkat brown rice pizza crust  
 Barkat gluten-free bread mix  
 Barkat gluten-free brown rice bread  
 Barkat gluten-free wheat-free multi grain bread  
 Barkat gluten-free white rice bread  
 Barkat white rice pizza crust  
 Bi-Aglut gluten-free biscuits  
 Bi-Aglut gluten-free cracker toast  
 Bi-Aglut gluten-free crackers  
 Bi-Aglut gluten-free pastas (fusilli, lasagne, macaroni, penne, spaghetti)  
 Dietary Specials gluten-free brown bread mix  
 Dietary Specials gluten-free corn bread mix  
 Dietary Specials gluten-free cracker bread  
 Dietary Specials gluten-free digestive biscuits  
 Dietary Specials gluten-free fibre mix  
 Dietary Specials gluten-free high fibre crackers

**BORDERLINE SUBSTANCES****GLUTEN-FREE PRODUCTS (Not necessarily low-protein, lactose or sucrose free).**

\* For established gluten enteropathy with coexisting established wheat sensitivity only

- Dietary Specials gluten-free hoops tea biscuits
- Dietary Specials gluten-free multigrain sliced loaf
- Dietary Specials gluten-free part baked bloomer
- Dietary Specials gluten-free part baked brown loaf
- Dietary Specials gluten-free part baked white baguettes
- Dietary Specials gluten-free part baked white buns
- Dietary Specials gluten-free part baked white loaf
- Dietary Specials gluten-free part baked white rolls
- Dietary Specials gluten-free pasta (fusilli, penne, spaghetti)
- Dietary Specials gluten-free pastry mix
- Dietary Specials gluten-free pizza bases
- Dietary Specials gluten-free savory biscuits
- Dietary Specials gluten-free sweet biscuits
- Dietary Specials gluten-free white bread mix
- Dietary Specials gluten-free white cake mix
- Dietary Specials gluten-free white mix
- Dietary Specials gluten-free white multigrain sliced loaf
- Ener-G gluten-free brown rice bread
- Ener-G gluten-free brown rice pasta (lasagne, macaroni, spaghetti)
- Ener-G gluten-free cookies (vanilla flavour)
- Ener-G gluten-free dinner rolls
- \* Ener-G gluten-free pizza bases
- Ener-G gluten-free rice loaf
- Ener-G gluten-free rice pasta (cannelloni, lasagne, macaroni, shells, small shells, spaghetti, tagliatelle, vermicelli)
- Ener-G gluten-free Seattle brown loaf
- \* Ener-G gluten-free Seattle brown rolls (hamburger)
- \* Ener-G gluten-free Seattle brown rolls (hot dog)
- \* Ener-G gluten-free six flour loaf
- Ener-G gluten-free tapioca bread
- Ener-G gluten-free white rice bread
- Gadsbys gluten-free white bread
- Gadsbys gluten-free white bread flour
- Gadsbys gluten-free white rolls
- Gadsbys gluten-free white sliced bread
- \* Glutafin Crisp Bread
- \* Glutafin Crisp Roll
- Glutafin gluten-free biscuits
- Glutafin gluten-free crackers
- Glutafin gluten-free digestive biscuits
- Glutafin gluten-free high fibre crackers
- Glutafin gluten-free pasta (lasagne, long-cut spaghetti, macaroni penne, shells, spirals, tagliatelle nests)
- Glutafin gluten-free pizza base
- Glutafin gluten-free savoury biscuits
- Glutafin gluten-free savoury shorts
- Glutafin gluten-free shortbread biscuit
- Glutafin gluten-free sweet biscuits (without chocolate or sultanas)
- Glutafin gluten-free tea biscuits
- \* Glutafin gluten-free wheat-free bread mix
- \* Glutafin gluten-free wheat-free cake mix
- \* Glutafin gluten-free wheat-free fibre bread mix
- Glutafin gluten-free wheat-free fibre loaf (sliced and unsliced)
- Glutafin gluten-free wheat-free fibre mix
- Glutafin gluten-free wheat-free fibre rolls
- \* Glutafin gluten-free wheat-free pastry mix
- Glutafin gluten-free wheat-free white loaf (sliced and unsliced)
- Glutafin gluten-free wheat-free white mix
- Glutafin gluten-free wheat-free white rolls

**BORDERLINE SUBSTANCES****GLUTEN-FREE PRODUCTS (Not necessarily low-protein, lactose or sucrose free).**

\* For established gluten enteropathy with coexisting established wheat sensitivity only

Glutafin gluten-free white bread (canned) with added soya bran  
 Glutafin Select gluten-free bread mix  
 Glutafin Select gluten-free cake mix  
 Glutafin Select gluten-free fibre bread mix  
 Glutafin Select gluten-free fibre loaf (sliced and unsliced)  
 Glutafin Select gluten-free fibre mix  
 Glutafin Select gluten-free fibre rolls  
 Glutafin Select gluten-free fresh bread  
 Glutafin Select gluten-free part-baked fibre loaf  
 Glutafin Select gluten-free part-baked fibre rolls  
 Glutafin Select gluten-free part-baked long fibre rolls  
 Glutafin Select gluten-free part-baked long white rolls  
 Glutafin Select gluten-free part-baked white loaf  
 Glutafin Select gluten-free part-baked white rolls  
 Glutafin Select gluten-free pastry mix  
 Glutafin Select gluten-free seeded loaf  
 Glutafin Select gluten-free white loaf (sliced and unsliced)  
 Glutafin Select gluten-free white mix  
 Glutafin Select gluten-free white rolls  
 Glutano gluten-free biscuits  
 Glutano gluten-free crackers  
 Glutano gluten-free crispbread  
 Glutano gluten-free flour mix  
 Glutano gluten-free par-baked (baguette, rolls, white sliced bread)  
 Glutano gluten-free pasta (animal shapes, macaroni, spaghetti, spirals, tagliatelle)  
 Glutano gluten-free shortcake rings  
 Glutano gluten-free wheat-free digestive biscuit  
 Glutano gluten-free wholemeal bread (sliced)  
 Glutano gluten-free wholemeal par-baked bread  
 Gratis gluten-free pasta (alphabets, macaroni, shells, short cut spaghetti, spirals)  
 Heron Foods Organic gluten-free bread mix  
 Heron Foods Organic gluten-free hi-fibre bread mix  
 \* Heron Foods Organic gluten-free wheat-free bread/cake mix  
 \* Heron Foods Organic gluten-free wheat-free hi-fibre bread mix  
 Juvela gluten-free bread rolls  
 Juvela gluten-free crispbread  
 Juvela gluten-free digestive biscuits  
 Juvela gluten-free fibre bread rolls  
 Juvela gluten-free fibre loaf (sliced and unsliced)  
 Juvela gluten-free fibre mix  
 Juvela gluten-free harvest mix  
 Juvela gluten-free lasagne  
 Juvela gluten-free loaf (sliced and unsliced)  
 Juvela gluten-free mix  
 Juvela gluten-free part-baked bread rolls  
 Juvela gluten-free part-baked fibre bread rolls  
 Juvela gluten-free part-baked fibre loaf  
 Juvela gluten-free part-baked loaf  
 Juvela gluten-free pasta (fusilli, lasagne, macaroni, spaghetti)  
 Juvela gluten-free pizza base  
 Juvela gluten-free savoury biscuits  
 Juvela gluten-free sweet biscuits  
 Juvela gluten-free tagliatelle  
 Juvela gluten-free tea biscuits  
 Lifestyle gluten-free bread rolls  
 Lifestyle gluten-free brown bread  
 Lifestyle gluten-free high fibre bread  
 Lifestyle gluten-free high fibre bread rolls

**BORDERLINE SUBSTANCES****GLUTEN-FREE PRODUCTS (Not necessarily low-protein, lactose or sucrose free).**

\* For established gluten enteropathy with coexisting established wheat sensitivity only

Lifestyle gluten-free white bread  
 Liga gluten-free rusks (Jacob's)  
 Mrs Leepers pasta (corn elbows, corn fettucine, corn penne, corn rotelli, corn vegetable radiatore, rice spaghetti, rice vegetable penne rigate, rice vegetable twists)  
 Orgran bread mix  
 Orgran gluten-free buckwheat spirals pasta  
 Orgran gluten-free corn lasagne, corn spaghetti, corn spirals pasta  
 Orgran gluten-free crispbread corn, crispbread rice  
 Orgran gluten-free organic brown rice spirals  
 Orgran gluten-free pizza & pastry mix  
 Orgran gluten-free rice spaghetti, rice spirals  
 Orgran gluten-free rice and millet spirals  
 Orgran gluten-free ris o'mais (rice and maize) lasagne, ris o'mais spaghetti, ris o'mais spirals  
 Orgran gluten-free split pea & soya pasta shells  
 Orgran ris 'o' mais macaroni  
 Orgran self-raising flour  
 Pleniday gluten-free bread (sliced country loaf, petit pain (par-baked), rustic loaf sliced)  
 Pleniday gluten-free pasta (conchigli, penne, rigate, tagliatelli)  
 Pleniday sesame rolls  
 Polial gluten-free biscuits  
 \* Proceli brown rice bread  
 \* Proceli pizza bases  
 \* Proceli sliced white bread  
 Pure gluten-free blended flour  
 Rite-Diet gluten-free fibre mix  
 Rite-Diet gluten-free fibre rolls  
 Rite-Diet gluten-free fibre bread (sliced and unsliced)  
 Rite-Diet gluten-free white bread (sliced and unsliced)  
 Rite-Diet gluten-free white mix  
 Rite-Diet gluten-free white rolls  
 Rite-Diet gluten-free part-baked fibre loaf  
 Rite-Diet gluten-free 2 part-baked long fibre rolls  
 Rite-Diet gluten-free 2 part-baked long white rolls  
 Rite-Diet gluten-free part-baked white loaf  
 Sarahvee gluten-free mix  
 Schar gluten-free biscuits  
 Schar gluten-free bread  
 Schar gluten-free bread mix  
 Schar gluten-free bread rolls  
 Schar gluten-free brown bread ertha  
 Schar gluten-free cake mix  
 Schar gluten-free crackers  
 Schar gluten-free cracker toast  
 Schar gluten-free crispbread  
 Schar gluten-free flour mix for cooking  
 Schar gluten-free french bread (baguette)  
 Schar gluten-free frollini tea biscuits  
 Schar gluten-free grissini breadsticks  
 Schar gluten-free pasta (alphabet pasta, bavette, fusilli, lasagne, macaroni, penne, spaghetti)  
 Schar gluten-free pizza base  
 Schar gluten-free savoy biscuits  
 Schar gluten-free wheat-free biscottini  
 Schar gluten-free wheat-free bread buns (white)  
 Schar gluten-free wheat-free lunch rolls  
 Schar gluten-free white bread  
 Schar gluten-free wholemeal bread  
 Schar gluten-free wholemeal flour mix  
 Sunnyvale gluten-free mixed grain sourdough bread  
 Tritamyl gluten-free brown bread mix



**BORDERLINE SUBSTANCES****GLUTEN-FREE PRODUCTS (Not necessarily low-protein, lactose or sucrose free).**

\* For established gluten enteropathy with coexisting established wheat sensitivity only

Tritamyl gluten-free flour mix  
 Tritamyl gluten-free white bread mix  
 Ultra gluten-free baguette  
 Ultra gluten-free bread  
 Ultra gluten-free bread rolls  
 Ultra gluten-free crackerbread  
 Ultra gluten-free high fibre bread  
 Ultra gluten-free pasta (tagliatelle, spaghetti, penne, fusili)  
 Ultra gluten-free pizza base  
 Ultra gluten-free sweet biscuits  
 Valpiform gluten-free and wheat free pastry mix  
 Valpiform gluten-free bread mix  
 Valpiform gluten-free country loaf  
 Valpiform gluten-free crac'form toast  
 Valpiform gluten-free crisp rolls  
 Valpiform gluten-free maxi baguettes  
 Valpiform gluten-free pastry mix  
 Valpiform gluten-free petites baguettes  
 Wellfoods gluten-free burger buns  
 Wellfoods gluten-free flour alternative  
 Wellfoods gluten-free loaf  
 Wellfoods gluten-free pizza bases  
 Wellfoods gluten-free rolls  
 Wellfoods gluten-free sliced loaf

For established gluten enteropathy

**GRATIS GLUTEN-FREE PRODUCTS**

See: Gluten-Free Products

**HARIFEN PRODUCTS**

See: Low Protein Products

**HERON FOODS**

See: Gluten-Free Products

**INFATRINI**

Disease-related malnutrition, malabsorption, and growth failure in infancy.

**INFASOY**

Proven lactose and associated sucrose intolerance in pre-school children, galactokinase deficiency, galactosaemia and proven whole cows milk sensitivity.

**INSTANT CAROBEL**

Thickening feeds in the treatment of vomiting.

**ISOMIL**

Proven lactose intolerance in pre-school children, galactokinase deficiency, galactasaemia and proven whole cows milk sensitivity.

**ISOSOURCE ENERGY**

For use as the sole source of nutrition or as a necessary nutritional supplement prescribed on medical grounds for:

Short bowel syndrome, intractable malabsorption, pre-operative preparation of patients who are undernourished, patients with proven inflammatory bowel disease, following total gastrectomy, dysphagia, bowel fistulae, disease-related malnutrition. Not to be prescribed for any child under one year; use with caution for young children up to five years of age.

**ISOSOURCE ENERGY FIBRE**

A high energy nutritionally complete enteral tube feed liquid with fibre prescribed on medical grounds for:- Dietary management of patients with short bowel syndrome, intractable malabsorption, pre-operative preparation of patients who are undernourished, inflammatory bowel disease, following total gastrectomy,

---

**BORDERLINE SUBSTANCES**

---

dysphagia and disease related malnutrition. It can also be recommended for patients requiring high energy intake or a fluid restricted diet.

**ISOSOURCE FIBRE****ISOSOURCE STANDARD**

For use as the sole source of nutrition or as a necessary nutritional supplement prescribed on medical grounds for:

Short bowel syndrome, intractable malabsorption, pre-operative preparation of patients who are undernourished, patients with proven inflammatory bowel disease, following total gastrectomy, dysphagia, bowel fistulae, disease-related malnutrition. Not to be prescribed for any child under one year; use with caution for young children up to five years of age.

**ISOSOURCE JUNIOR**

A nutritionally complete feed approved for disease related malnutrition, short bowel syndrome, intractable malabsorption, pre-operative preparation of patients who are malnourished, proven inflammatory bowel disease, following total gastrectomy, dysphagia and growth failure from 1 to 6 years of age and 8 to 20kg.

**JEVITY**

For use as the sole source of nutrition or as a necessary nutritional supplement prescribed on medical grounds for:

Short bowel syndrome, intractable malabsorption, pre-operative preparation of patients who are undernourished, patients with proven inflammatory bowel disease, following total gastrectomy, dysphagia, disease-related malnutrition. Not to be prescribed for any child under one year; use with caution for young children up to five years of age.

**JEVITY PLUS**

For use as the sole source of nutrition or as a necessary nutritional supplement prescribed on medical grounds for:

Short bowel syndrome, intractable malabsorption, pre-operative preparation of patients who are undernourished, patients with proven inflammatory bowel disease, following total gastrectomy, dysphagia, bowel fistulae, disease-related malnutrition. Not recommended for any child under ten years of age.

**JEVITY 1.5 KCAL**

For use as the sole source of nutrition or as a necessary nutritional supplement prescribed on medical grounds for:

Short bowel syndrome, intractable malabsorption, pre-operative preparation of patients who are undernourished, patients with proven inflammatory bowel disease, following total gastrectomy, dysphagia, disease-related malnutrition, bowel fistulae.

**JUVELA GLUTEN-FREE PRODUCTS**

See: Gluten-Free Products.

**JUVELA LOW-PROTEIN PRODUCTS**

See: Low-Protein Products

**KEROMASK**

See: Covering creams.

**KINDERGEN**

Complete nutritional support or supplementary feeding for infants and children with chronic renal failure who are receiving peritoneal rapid overnight dialysis.

**L-ARGININE SUPPLEMENT FOR UREA CYCLE DISORDERS (S.H.S.)**

Urea cycle disorders other than arginase deficiency, such as hyperammonaemia types I and II, citrullaemia, arginossuccinic aciduria, and deficiency of N-acetyl glutamate synthetase.

**LIFESTYLE GLUTEN-FREE PRODUCTS**

See: Gluten-Free Products.

**LIGA GLUTEN-FREE RUSKS ( JACOB'S )**

See: Gluten-Free Products.

**LIQUIGEN**

Steatorrhoea associated with cystic fibrosis of the pancreas, intestinal lymphangiectasia, surgery of the intestine, chronic liver disease, liver cirrhosis, other proven malabsorption syndromes, a ketogenic diet in the management of epilepsy and in type 1 hyperlipoproteinaemia.

**BORDERLINE SUBSTANCES****LOCASOL**

Calcium intolerance

**LOPHLEX (UNFLAVOURED, ORANGE FLAVOUR AND BERRY FLAVOUR)**

For use in the dietary management of proven phenylketonuria in older children (over 8 years) and adults (includes use in pregnant women).

**LOPROFIN LOW-PROTEIN PRODUCTS**

See: Low-Protein Products

**LOPROFIN PKU DRINK**

Phenylketonuria

**LOW-PROTEIN PRODUCTS**

Aglutella low-protein rice  
 Aprotin low-protein biscuits  
 Aprotin low-protein bread mix  
 Aprotin low-protein crispbread  
 Aprotin low-protein pastas (anellini, ditalini, rigatini, spaghetti, tagliatelle)  
 Ener-G low-protein egg replacer  
 Ener-G low-protein pasta (lasagne, macaroni, large shells, small shells, spaghetti)  
 Ener-G low-protein rice bread  
 Fate low-protein all-purpose mix  
 Fate low-protein cake mix  
 Fate low-protein chocolate flavour cake mix  
 Fate low-protein potato mix  
 Harifen Low Protein Cracker Toast  
 Harifen White Chip Cookies  
 Juvela low-protein bread rolls  
 Juvela low-protein chocolate chip, cinnamon and orange flavour cookies  
 Juvela low-protein loaf (sliced and unsliced)  
 Juvela low-protein mix  
 Juvela low-protein pizza base  
 Loprofin low-protein breakfast cereal  
 Loprofin low-protein chocolate flavour cream biscuits  
 Loprofin low-protein chocolate, orange and vanilla flavour cream wafers  
 Loprofin low-protein cinnamon and chocolate chip cookies  
 Loprofin low-protein crackers  
 Loprofin low-protein crunch bar  
 Loprofin low-protein egg replacer  
 Loprofin low-protein egg white replacer  
 Loprofin low-protein fibre bread (sliced and unsliced)  
 Loprofin low-protein herb crackers  
 Loprofin low-protein loaf (sliced and unsliced)  
 Loprofin low-protein mix  
 Loprofin low-protein part baked rolls  
 Loprofin low-protein pasta (long-cut spaghetti, macaroni penne, spirals, vermicelli, lasagne)  
 Loprofin low-protein snack pot  
 Loprofin low-protein sweet biscuits  
 Loprofin low-protein white bread rolls  
 PK Foods Aminex low-protein biscuits  
 PK Foods Aminex low-protein cookies  
 PK Foods Aminex low-protein rusks  
 PK Foods low-protein crispbread  
 PK Foods low-protein pasta spirals  
 PK Foods low-protein white sliced bread  
 Promin low-protein cous cous  
 Promin low-protein hot breakfast (apple & cinnamon, chocolate and original flavours)  
 Promin low-protein imitation rice  
 Promin low-protein lasagne sheets  
 Promin low-protein pasta (alphabets, macaroni, shells, short cut spaghetti, spirals)  
 Promin low-protein pasta in sauce (cheese and broccoli, tomato pepper and herb flavours)  
 Promin low-protein pastameal

---

**BORDERLINE SUBSTANCES**

---

**LOW-PROTEIN PRODUCTS**

Promin low protein tricolour pasta (alphabets, shells, spirals)  
Rite-Diet low-protein baking mix.  
Rite-Diet low-protein flour mix  
Ultra low-protein canned brown bread  
Ultra low-protein canned white bread  
Ultra PKU biscuits  
Ultra PKU bread  
Ultra PKU cookies  
Ultra PKU flour mix  
Ultra PKU pizza base  
Ultra PKU savoy biscuits  
Valpiform low-protein cookies with chocolate nuggets and hazelnut flavour  
Valpiform low-protein savory bites (herbs flavour)  
Valpiform low-protein savory bites (tomato flavour)  
Valpiform low-protein shortbread biscuits

Inherited metabolic disorders, renal or liver failure requiring a low-protein diet

**L-TYROSINE SUPPLEMENT FOR PHENYLKETONURIA**

Maternal Phenylketonurics who have low plasma tyrosine levels

**LUBORANT SALIVA REPLACEMENT**

Patients suffering from a dry mouth as a result of having or having undergone radiotherapy or sicca syndrome/Xerostomia.

**MAPLEFLEX (UNFLAVOURED)**

A leucine, isoleucine and valine free mix for use in the dietary management of MSUD approved for patients aged between 1 and 10 years.

**MAXIJUL LE****MAXIJUL LIQUID****MAXIJUL SUPER SOLUBLE**

Disease related malnutrition, malabsorption states or other conditions requiring fortification with a high or readily available carbohydrate supplement.

**MAXIPRO SUPER SOLUBLE**

Biochemically proven hypoproteinaemia. Not to be prescribed for any child under one year; unsuitable as a sole source of nutrition

**MAXISORB**

Biochemically proven or clinical evidence of protein deficiency, and if recommended by a renal unit.

**MCT PEPDITE****MCT PEPDITE 1+**

Disorders in which a high intake of MCT is beneficial

**MEDIUM-CHAIN TRIGLYCERIDE (MCT) OIL**

Steatorrhoea associated with cystic fibrosis of the pancreas, intestinal lymphangiectasia, surgery of the intestine, chronic liver disease, liver cirrhosis, other proven malabsorption syndromes, in a ketogenic diet in the management of epilepsy and in type 1 hyperlipoproteinaemia.

**METABOLIC MINERAL MIXTURE**

Mineral supplement in synthetic diets.

**MILUPA LOW-PROTEIN DRINK**

Inherited disorders of amino acid metabolism in childhood.

**MINAPHEX FLAVOURED & UNFLAVOURED**

For use in the dietary management of children with phenylketonuria.

**MODULEN IBD**

For the sole source of nutrition during the active phase of Crohn's disease, and for nutritional support during the remission phase in patients who are malnourished. Not to be prescribed for any child under one year;

**BORDERLINE SUBSTANCES**

use with caution for young children up to five years of age. This product may be flavoured with NESTLE CLINICAL NUTRITION FLAVOUR SACHETS.

**MONOGEN**

Long chain acyl-coa dehydrogenase deficiency (LCAD), carnitine palmitoyl transferase deficiency (CPTD), and primary and secondary lipoprotein lipase deficiency

**MRS LEEPERS PRODUCTS**

See: Gluten - Free products

**MSUD AID III**

Maple syrup urine disease (MSUD) and related conditions when it is necessary to limit the intake of branched chain amino acids

**MSUD GEL**

For use in the dietary management of Maple syrup urine disease in children aged between 1 and 10 years.

**MSUD MAXAMAID****MSUD MAXAMUM**

Maple syrup urine disease

**NEOCATE**

Proven whole protein intolerance, short bowel syndrome, intractable malabsorption, and other gastrointestinal disorders where an elemental diet is specifically indicated.

**NEOCATE ADVANCE (UNFLAVOURED, BANANA VANILLA FLAVOUR AND STRAWBERRY VANILLA FLAVOUR)**

Proven whole protein intolerance, short bowel syndrome, intractable malabsorption, and other gastrointestinal disorders where an elemental diet is specifically indicated.

**NEPRO**

Patients with chronic renal failure who are on haemodialysis or complete ambulatory peritoneal dialysis (CAPD), or patients with cirrhosis or other conditions requiring a high energy, low fluid, low electrolyte diet.

**NESTARGEL**

Thickening of foods in the treatment of vomiting.

**NESTLE NUTRITION FLAVOUR MIX (formerly NESTLE CLINICAL NUTRITION FLAVOUR SACHETS)**

For use with VANILLA-FLAVOURED PEPTAMEN and MODULEN IBD.

**NESTLE CLINICAL NUTRITION FLAVOUR SACHETS**

See: NESTLE NUTRITION FLAVOUR MIX.

**NOVASOURCE FORTE**

For use as the sole source of nutrition, or as a necessary nutritional supplement prescribed on medical grounds for:

Short bowel syndrome, intractable malabsorption, pre-operative preparation of patients who are undernourished, patients with proven inflammatory bowel disease, following total gastrectomy, dysphagia, bowel fistulae, disease-related malnutrition, neoplasia-related cachexia. Not to be prescribed for any child under one year; use with caution for young children up to five years of age.

**NOVASOURCE GI CONTROL**

For use as the sole source of nutrition, or as a necessary nutritional supplement prescribed on medical grounds for:

Short bowel syndrome, intractable malabsorption, pre-operative preparation of patients who are undernourished, patients with proven inflammatory bowel disease, following total gastrectomy, dysphagia, bowel fistulae, disease-related malnutrition. Not to be prescribed for any child under one year, use with caution for young children up to five years of age.

**NUTILIS**

Thickening of foods in dysphagia. Not to be prescribed for children under one year old except in cases of failure to thrive.

**NUTRAMIGEN 1**

Disaccharide and/or whole protein intolerance where additional MCT is not indicated

**NUTRAMIGEN 2**

Established whole protein sensitivity and/or disaccharide intolerance in patients over 6 months in age.

---

**BORDERLINE SUBSTANCES**

---

**NUTRINI**

For use as the sole source of nutrition or as a necessary nutritional supplement prescribed on medical grounds for:

Short bowel syndrome, intractable malabsorption, pre-operative preparation of patients who are undernourished, dysphagia, bowel fistulae, disease-related malnutrition and/or growth failure. Not to be prescribed for any child under one year.

**NUTRINI ENERGY**

For use as the sole source of nutrition or as a necessary nutritional supplement prescribed on medical grounds for:

Short bowel syndrome, intractable malabsorption, pre-operative preparation of patients who are undernourished, patients with proven inflammatory bowel disease, following total gastrectomy, dysphagia, bowel fistulae, disease-related malnutrition and/or growth failure. Not to be prescribed for any child under one year.

**NUTRINI ENERGY MULTIFIBRE**

It is indicated for:

Short bowel syndrome, intractable malabsorption, pre operative preparation of undernourished patients, total gastrectomy, dysphagia, disease related malnutrition and growth failure.

**NUTRINI LOW ENERGY MULTIFIBRE**

It is indicated for:

Short bowel syndrome, intractable malabsorption, pre operative preparation of undernourished patients, total gastrectomy, dysphagia, disease related malnutrition and growth failure.

**NUTRINI MULTIFIBRE**

For use as the sole source of nutrition or as a necessary nutritional supplement prescribed on medical grounds for:

Short bowel syndrome, intractable malabsorption, pre-operative preparation of patients who are undernourished, patients with proven inflammatory bowel disease , following total gastrectomy, dysphagia, bowel fistulae, disease-related malnutrition and/or growth failure. Not to be prescribed for any child under one year.

**NUTRIPREM 2****NUTRIPREM 2 LIQUID**

Suitable for catch-up growth in pre-term infants (ie less than 35 weeks at birth) and small for gestational age infants, until 6 months corrected age.

**NUTRISON ENERGY**

As a necessary nutritional supplement prescribed on medical grounds for:

Short bowel syndrome, intractable malabsorption, pre-operative preparation of patients who are undernourished, patients with proven inflammatory bowel disease, following total gastrectomy, dysphagia, bowel fistulae, disease-related malnutrition. Not to be prescribed for any child under one year; use with caution for young children up to five years of age.

**NUTRISON MCT**

As a necessary nutritional supplement prescribed on medical grounds for:

Short bowel syndrome, intractable malabsorption, pre-operative preparation of patients who are undernourished, patients with proven inflammatory bowel disease, following total gastrectomy, dysphagia, bowel fistulae, disease-related malnutrition. Not to be prescribed for any child under one year; use with caution for young children up to five years of age.

**NUTRISON ENERGY MULTIFIBRE****NUTRISON MULTIFIBRE**

For use as the sole source of nutrition or as a necessary nutritional supplement prescribed on medical grounds for:

Short bowel syndrome, intractable malabsorption, pre-operative preparation of patients who are undernourished, patients with proven inflammatory bowel disease, following total gastrectomy, dysphagia, bowel fistulae, disease-related malnutrition. Not to be prescribed for any child under one year; use with caution for young children up to five years of age.

**NUTRISON PROTEIN PLUS****NUTRISON PROTEIN PLUS MULTIFIBRE**

For use as dietary management of disease related malnutrition.

**BORDERLINE SUBSTANCES****NUTRISON SOYA**

For use as the sole source of nutrition or as a necessary nutritional supplement prescribed on medical grounds for:

Short bowel syndrome, intractable malabsorption, pre-operative preparation of patients who are undernourished, patients with proven inflammatory bowel disease, following total gastrectomy, dysphagia, bowel fistulae, disease-related malnutrition, cows milk protein and lactose intolerance. Not to be prescribed for any child under one year; use with caution for young children up to five years of age.

**NUTRISON STANDARD**

For use as the sole source of nutrition or as a necessary nutritional supplement prescribed on medical grounds for:

Short bowel syndrome, intractable malabsorption, pre-operative preparation of patients who are undernourished, patients with proven inflammatory bowel disease, following total gastrectomy, dysphagia, bowel fistulae, disease-related malnutrition. Not to be prescribed for any child under one year; use with caution for young children up to five years of age.

**NUTRISON VITAPLUS MULTI FIBRE**

Approved for short bowel syndrome, intractable malabsorption, pre-operative preparation of patients who are undernourished, proven inflammatory bowel disease, following total gastrectomy, disease-related malnutrition and dysphagia.

**ORALBALANCE DRY MOUTH SALIVA REPLACEMENT GEL**

See: Biotene Oralbalance

**OGRAN GLUTEN-FREE PRODUCTS**

See: Gluten-Free Products

**OSMOLITE**

For use as the sole source of nutrition or as a necessary nutritional supplement prescribed on medical grounds for:

Short bowel syndrome, intractable malabsorption, pre-operative preparation of patients who are undernourished, patients with proven inflammatory bowel disease, following total gastrectomy, dysphagia, bowel fistulae, disease-related malnutrition. Not to be prescribed for any child under one year; use with caution for young children up to five years of age.

**OSMOLITE PLUS**

For use as the sole source of nutrition or as a necessary nutritional supplement prescribed on medical grounds for:

Short bowel syndrome, intractable malabsorption, pre-operative preparation of patients who are undernourished, patients with proven inflammatory bowel disease, following total gastrectomy, dysphagia, bowel fistulae, disease-related malnutrition. Not recommended for any child under ten years of age.

**PAEDIASURE**

For use as the sole source of nutrition or as a necessary nutritional supplement prescribed on medical grounds for children aged 1-10 years or 8-30kg for:

Short bowel syndrome, intractable malabsorption, pre-operative preparation of patients who are undernourished, dysphagia, bowel fistulae, disease-related malnutrition and/or growth failure. Not to be prescribed for any child under one year.

**PAEDIASURE PLUS**

For use as the sole source of nutrition, or as a necessary nutritional supplement prescribed on medical grounds for children aged 1-10 years or 8-30kg for:

Short bowel syndrome, intractable malabsorption, pre-operative preparation of patients who are undernourished, dysphagia, bowel fistulae, disease-related malnutrition, and/or growth failure. Not to be prescribed for any child under one year.

**PAEDIASURE WITH FIBRE**

For use as the sole source of nutrition, or as a necessary nutritional supplement prescribed on medical grounds for children aged 1-10 years or 8-30kg for:

Short bowel syndrome, intractable malabsorption, pre-operative preparation of patients who are undernourished, dysphagia, bowel fistulae, disease-related malnutrition, and/or growth failure. Not to be prescribed for any child under one year.

---

**BORDERLINE SUBSTANCES**

---

**PAEDIASURE PLUS WITH FIBRE (TETRAPAK AND TUBE FEED)**

As a sole source of nutrition, or as a nutritional supplement for children aged 1-10 years or 8-30kg with disease-related malnutrition and/or growth failure, short bowel syndrome, intractable malabsorption, dysphagia, bowel fistulae, and for the pre-operative preparation of patients who are malnourished. Not to be prescribed for any child under one year.

**PAEDIATRIC SERAVIT**

Vitamin and mineral supplement in restrictive therapeutic diets in infants and children.

**PEPDITE****PEPDITE 1+**

Disaccharide and/or whole protein intolerance, or where amino acids or peptides are indicated in conjunction with MCT.

**PEPDITE 1+ (BANANA FLAVOUR)**

Whole protein intolerance, or where amino acids or peptides are indicated in conjunction with MCT.

**PEPTAMEN (FLAVOURED AND UNFLAVOURED)**

For use as the sole source of nutrition or as a necessary nutritional supplement prescribed on medical grounds for:

Short bowel syndrome, intractable malabsorption, patients with proven inflammatory bowel disease, bowel fistulae. Not to be prescribed for any child under one year; use with caution for young children up to five years of age. This product may be flavoured with NESTLE CLINICAL NUTRITION FLAVOUR SACHETS

**PEPTI - JUNIOR**

Disaccharide and/or whole protein intolerance, or where amino acids and peptides are indicated in conjunction with MCT.

**PEPTISORB**

For use as the sole source of nutrition or as a necessary nutritional supplement prescribed on medical grounds for:-

Short bowel syndrome, intractable malabsorption, patients with proven inflammatory bowel disease, bowel fistulae. Not to be prescribed for any child under one year; use with caution for young children up to five years of age.

**PERATIVE**

As a necessary nutritional supplement prescribed on medical grounds for:

Short bowel syndrome, intractable malabsorption, pre-operative preparation of patients who are undernourished, patients with proven inflammatory bowel disease, following total gastrectomy, bowel fistulae, disease-related malnutrition. Not to be prescribed for any child under five years of age.

**PHLEXY-10 EXCHANGE SYSTEM (BAR, CAPSULES AND DRINK MIX)**

Phenylketonuria

**PHLEXY-10 TABLETS**

For Phenylketonuria only

**PHLEXYVITS**

For use as a vitamin and mineral component of restricted therapeutic diets for older children, from the age of around eleven years, and adults with phenylketonuria and similar amino acid abnormalities.

**PK AID 4**

Phenylketonuria

**PK FOODS LOW-PROTEIN PRODUCTS**

See: Low-Protein Products

**PK FOODS LOW-PROTEIN RANGE (FLOUR MIX, EGG REPLACER, CHOCOLATE CHIP COOKIES, CINNAMON COOKIES, ORANGE COOKIES, JELLY MIX DESSERT ORANGE FLAVOUR, JELLY MIX DESSERT CHERRY FLAVOUR)**

Phenylketonuria

**PKU 2 (MILUPA)**

Phenylketonuria

**PKU 3 (MILUPA)**

Phenylketonuria (not normally to be prescribed for a child below about 8 months old.)



**BORDERLINE SUBSTANCES**

- 
- PKU EXPRESS  
Phenylketonuria
- PKU EXPRESS COOLER (formerly PKU EXPRESS LIQUID)  
For use in the dietary management of phenylketonuria.
- PKU EXPRESS LIQUID  
See: PKU EXPRESS COOLER
- PKU-GEL  
As part of the low-protein dietary management of phenylketonuria in children aged one to ten years. Not recommended for children under one year of age.
- PLENIDAY GLUTEN-FREE PRODUCTS  
See: Gluten-Free Products.
- POLIAL GLUTEN-FREE PRODUCTS  
See: Gluten-Free Products.
- POLYCAL LIQUID  
Disease related malnutrition, malabsorption states or other conditions requiring fortification with a high or readily available carbohydrate supplement.
- POLYCOSE POWDER  
Disease related malnutrition, malabsorption states or other conditions requiring fortification with a high or readily available carbohydrate supplement.
- PREGESTIMIL  
Disaccharide and/or whole protein intolerance, or where amino acids or peptides are indicated in conjunction with MCT.
- PREJOMIN (MILUPA)  
Disaccharide and/or whole protein intolerance where additional MCT is not indicated
- PREMCARE  
Suitable for catch-up growth in pre-term infants (ie less than 35 weeks at birth) and small for gestational age infants, until 6 months post-natal age.
- PRO-CAL  
Disease-related malnutrition, malabsorption states or other conditions requiring fortification with a fat/ carbohydrate supplement. Not to be prescribed for any child under one year; use with caution for young children up to five years of age.
- PROCELI PRODUCTS  
See: Gluten-Free Products
- PROMIN LOW-PROTEIN PRODUCTS  
See: Low-Protein Products
- PRO-MOD  
Biochemically proven hypoproteinaemia.
- PROSOBEE LIQUID AND POWDER  
Proven lactose and associated sucrose intolerance in pre-school children, galactokinase deficiency, galactosaemia and proven whole cows milk sensitivity.
- PROSURE  
As a nutritional supplement for patients with cancer cachexia.
- PROSURE 500ml READY TO HANG  
As a sole source of nutrition, or as a nutritional supplement for children aged 1-6 years with disease-related malnutrition and/or growth failure, short bowel syndrome, intractable malabsorption, dysphagia, bowel fistulae, and for the pre-operative preparation of patients who are malnourished. Not to be prescribed for any child under one year.
- PROTIFAR  
Biochemically proven hypoproteinaemia.

---

**BORDERLINE SUBSTANCES**

---

**PROVIDE XTRA**

As a necessary nutritional supplement prescribed on medical grounds for:  
Short bowel syndrome, intractable malabsorption, pre-operative preparation of patients who are undernourished, patients with proven inflammatory bowel disease, following total gastrectomy, dysphagia, bowel fistulae, disease-related malnutrition. Not to be prescribed for any child under one year; use with caution for young children up to five years of age.

**PURE GLUTEN-FREE PRODUCTS**

See: Gluten-Free products

**PURE XANTHAN GUM**

For use in the dietary management of gluten-sensitive enteropathies, including steatorrhoea due to gluten-sensitivity, coeliac disease, and dermatitis herpetiformis.

**QUICKCAL**

Disease-related malnutrition, malabsorption states or other conditions requiring fortification with a fat/carbohydrate supplement. Not to be prescribed for any child under one year; use with caution for young children up to five years of age.

**RECTIFIED SPIRIT**

Where the therapeutic qualities of alcohol are required rectified spirit (suitably flavoured and diluted) should be prescribed.

**RENAMIL**

Chronic renal failure. Not suitable for infants and young children under one year of age.

**RENAPRO**

Dialysis and hypoproteinaemia. Not suitable for infants and children under one year of age.

**RESOURCE BENEFIBER**

As a necessary nutritional supplement prescribed on medical grounds for:  
Short bowel syndrome, intractable malabsorption, pre-operative preparation of patients who are undernourished, patients with proven inflammatory bowel disease, following total gastrectomy, bowel fistulae, disease-related malnutrition. Not to be prescribed for any child under five years of age.

**RESOURCE ENERGY DESSERT**

As a necessary nutritional supplement prescribed on medical grounds for:  
Short bowel syndrome, intractable malabsorption, pre-operative preparation of patients who are undernourished, patients with proven inflammatory bowel disease, following total gastrectomy, dysphagia, bowel fistulae, disease-related malnutrition, continuous ambulatory peritoneal dialysis (CAPD) and haemodialysis. Not to be prescribed for any child under one year; use with caution for young children up to five years of age.

**RESOURCE FRUIT FLAVOUR DRINK**

Nutritionally balanced medical food, formulated to prevent or correct malnutrition in patients requiring a non-milk tasting, lactose free and fat free nutritional supplement.

**RESOURCE PROTEIN EXTRA**

As a necessary nutritional supplement prescribed on medical grounds for:  
Short bowel syndrome, intractable malabsorption, pre-operative preparation of patients who are undernourished, patients with proven inflammatory bowel disease, following total gastrectomy, dysphagia, bowel fistulae, disease-related malnutrition. Not to be prescribed for any child under one year; use with caution for young children up to five years of age.

**RESOURCE SHAKE NUTRITIONAL SUPPLEMENT**

As a necessary nutritional supplement prescribed on medical grounds for:  
Disease-related malnutrition, short bowel syndrome, intractable malabsorption, proven inflammatory bowel disease, bowel fistulae, dysphagia. May also be used for pre-operative preparation of undernourished patients and after total gastrectomy

**RESOURCE THICKENUP WITHOUT VITAMINS AND MINERALS**

Thickening of foods in dysphagia. Not to be prescribed for children under three years of age.

**RESOURCE THICKENED SQUASH AND RESOURCE READY THICKENED DRINKS**

Dysphagia. Not suitable for infants and children under one year of age.

**RITE-DIET GLUTEN-FREE AND LOW-PROTEIN PRODUCTS**

See: Gluten-Free and Low-Protein Products.

---

**BORDERLINE SUBSTANCES**

- ROC SANTE SOLEIL SPF25 (formerly ROC TOTAL SUNBLOCK CREAM SPF 25)**  
Protection from UV radiation in abnormal cutaneous photosensitivity resulting from genetic disorders or photodermatoses, including vitiligo and those resulting from radiotherapy; chronic or recurrent herpes simplex labialis
- ROC TOTAL SUNBLOCK CREAM SPF 25**  
See: ROC SANTE SOLEIL SPF25
- SALIVEZE**
- SALIVIX PASTILLES**  
Patients suffering from a dry mouth as a result of having or having undergone radiotherapy or sicca syndrome/Xerostomia.
- SARAHVEE GLUTEN-FREE PRODUCTS**  
See: Gluten-Free products.
- SARHVEE XANTHAN GUM**  
For use in the dietary management of gluten sensitive enteropathies, including steatorrhoea due to gluten-sensitivity, coeliac disease, and dermatitis herpetiformis.
- SCANDISHAKE MIX FLAVOURED AND UNFLAVOURED**  
Disease related malnutrition, malabsorption states or other conditions requiring fortification with a fat/carbohydrate supplement.
- SCHAR GLUTEN-FREE PRODUCTS**  
See: Gluten-Free Products
- SHS FLAVOUR MODJUL**  
For use with any unflavoured product based on peptides or amino acids.
- SHS FLAVOUR SACHETS**  
For use with SHS unflavoured amino acid and peptide based products.
- SMA HIGH ENERGY**  
Disease-related malnutrition, malabsorption and growth failure in infancy.
- SMA LF**  
Proven lactose intolerance
- SMA STAYDOWN**  
For use in significant reflux disease, for use not in excess of a 6 month period and not to be used in conjunction with any other thickener or antacid product.
- SNO-PRO DRINK**  
Phenylketonuria, chronic renal failure, and other inborn errors of metabolism
- SONDALIS 1.5 LIQUID FEED**
- SONDALIS FIBRELIQUID FEED**
- SONDALIS ISO LIQUID FEED**  
For use as the sole source of nutrition or as necessary nutritional supplements prescribed on medical grounds for:  
Short bowel syndrome, intractable malabsorption, pre-operative preparation of patients who are undernourished, patients with proven inflammatory bowel disease, following total gastrectomy, dysphagia, bowel fistulae, disease-related malnutrition.  
Not to be prescribed for any child under one year; use with caution for young children up to five years of age.
- SONDALIS JUNIOR**  
See: CLINUTREN JUNIOR.
- SPECTRABAN 25**
- SPECTRABAN ULTRA**  
Protection from UV radiation in abnormal cutaneous photosensitivity resulting from genetic disorders or photodermatoses, including vitiligo and those resulting from radiotherapy; chronic or recurrent herpes simplex labialis.

---

**BORDERLINE SUBSTANCES**

---

**SPS ENERGY BAR**

Disease related malnutrition, malabsorption states or other conditions requiring fortification with a fat/carbohydrate supplement.

**SUNNYVALE PRODUCTS**

See: Gluten-Free Products

**SUNSENSE ULTRA (EGO)**

Protection from UV radiation in abnormal cutaneous photosensitivity resulting from genetic disorders or photodermatoses, including vitiligo, and those resulting from radiotherapy; chronic or recurrent herpes simplex labialis.

**SUPLENA LIQUID NUTRITION**

Patients with chronic or acute renal failure who are not undergoing dialysis; patients with chronic or acute liver disease with fluid restriction; other conditions requiring a high energy, low protein, low electrolyte, low volume enteral feed.

**SURVIMED OPD**

As a necessary nutritional supplement prescribed on medical grounds for:

Short bowel syndrome, intractable malabsorption, pre-operative preparation of patients who are undernourished, patients with proven inflammatory bowel disease, following total gastrectomy, dysphagia, bowel fistulae, disease-related malnutrition and/or growth failure. Not to be prescribed for any child under one year; use with caution for young children up to five years of age.

**TENTRINI****TENTRINI ENERGY**

As indicated for:-

Short bowel syndrome, intractable malabsorption, pre operative preparation of undernourished patients, inflammatory bowel disease, total gastrectomy, bowel fistulae, dysphagia, disease related malnutrition and growth failure.

**TENTRINI ENERGY MULTI FIBRE****TENTRINI MULTI FIBRE**

As indicated for:-

Short bowel syndrome, intractable malabsorption, pre operative preparation of undernourished patients, inflammatory bowel disease, total gastrectomy, dysphagia, disease related malnutrition and growth failure.

**THICK AND EASY****THICK AND EASY DAIRY****THIXO-D**

Thickening of foods in dysphagia. Not to be prescribed for children under one year old except in cases of failure to thrive.

**THIXO-D LOW-CAL**

Thickening feeds in the treatment of vomiting and dysphagia.

**TRITAMYL PRODUCTS**

See: Gluten-Free Products

**ULTRA GLUTEN-FREE AND LOW-PROTEIN PRODUCTS**

See: Gluten-Free and Low-Protein Products

**UVISTAT SUNBLOCK CREAM FACTOR 20****UVISTAT ULTRABLOCK SUNCREAM FACTOR 30**

Protection from UV radiation in abnormal cutaneous photosensitivity resulting from genetic disorders or photodermatoses, including vitiligo and those resulting from radiotherapy; chronic or recurrent herpes simplex labialis.

**VALPIFORM GLUTEN-FREE AND LOW-PROTEIN PRODUCTS**

See: Gluten-Free and Low-Protein Products

**VASELINE DERMACARE LOTION****VASELINE DERMACARE CREAM**

Endogenous and exogenous eczema, xeroderma, ichthyosis and senile pruritis associated with dry skin.

---

**BORDERLINE SUBSTANCES****VEIL COVER CREAM****VEIL FINISHING POWDER**

See: Covering Creams

**VITA-BITE**

Inherited metabolic disorders, renal or liver failure requiring a low protein diet. Not recommended for any child under one year of age.

**VITAFLO FLAVOUR PAC**

Specifically designed to use in conjunction with Vitaflo's Inborn Error range of protein substitutes.

**VITAFLO - HCU EXPRESS**

A nutritional supplement designed for patients with Homocystinuria (HCU); this is a Methionine-free powder protein substitute approved for patients over 8 years old.

**VITAFLO HCU GEL**

A methionine free protein substitute for use in the dietary management of homocystinuria in children between the ages 12 months and 10 years of age.

**VITAFLO - MSUD EXPRESS**

This is a protein substitute for maple syrup urine disease in children over the age of 8.

**VITAFLO - TYR GEL**

A Tyrosine and Phenylalanine free protein substitute for use in the dietary management of Tyrosinaemia, approved for patients between the ages 12 months and 10 years.

**VITAFLO - ISOLEUCINE AMINO ACID SUPPLEMENT****VITAFLO - VALINE AMINO ACID SUPPLEMENT**

Supplements for maple syrup urine disease.

**VITAMIN & MINERAL PREPARATIONS**

Only in the management of actual or potential vitamin or mineral deficiency; not to be prescribed as dietary supplements or "pick-me-ups".

**VITAJOULE**

Disease related malnutrition, malabsorption states or other conditions requiring fortification with a high or readily available carbohydrate supplement.

**VITAPRO**

Biochemically proven hypoproteinaemia.

**VITAQUICK**

Thickening of foods in dysphagia. Not to be prescribed for children under one year old except in cases of failure to thrive.

**VITASAVOURY**

Disease-related malnutrition, malabsorption states or other conditions requiring fortification with a fat/carbohydrate supplement. Not to be prescribed for any child under one year; use with caution for young children up to five years of age.

**WYSOY**

Proven lactose and associated sucrose intolerance in pre-school children, galactokinase deficiency, galactosaemia and proven whole cows milk sensitivity.

**XLEU ANALOG****XLEU FALADON****XLEU MAXAMAID**

Isovaleric acidaemia

**XLYS MAXAMAID**

Hyperlysinaemia

**XLYS, TRY LOW ANALOG**

Type 1 glutaric aciduria

**XLYS LOW TRY MAXAMAID**

Glutaric aciduria

---

**BORDERLINE SUBSTANCES**

---

- XMET HOMIDON  
Homocystinuria or hypermethioninaemia
- XMET MAXAMAID
- XMET MAXAMUM  
Hypermethioninaemia, homocystinuria
- XMET, THRE, VAL, ISOLEU MAXAMAID
- XMET, THRE, VAL, ISOLEU MAXAMUM  
Methylmalonic acidaemia and propionic acidaemia
- XMTVI ASADON  
Methylmalonic acidaemia or propionic acidaemia
- XP MAXAMAID & XP MAXAMAID ORANGE
- XP MAXAMAID CONCENTRATE  
Phenylketonuria
- XP MAXAMUM (ORANGE AND UNFLAVOURED)  
Phenylketonuria. Not to be prescribed for children under 8 years old  
Tyrosinaemia
- XPHEN, TYR MAXAMAID
- XPT TYROSIDON  
Tyrosinaemia where plasma methionine levels are normal
- XPTM TYROSIDON  
Tyrosinaemia type 1 where plasma levels are above normal

**BORDERLINE SUBSTANCES****LIST B**

This is a cross index listing clinical conditions and the products which the ACBS has approved for the management of those conditions. It is essential to consult LIST A for more precise guidance.

**LIST B****AMINO ACID METABOLIC DISORDERS AND SIMILAR PROTEIN DISORDERS**

Histidinaemia  
 Homocystinuria  
 Low-Protein Products  
 Maple Syrup Urine Disease  
 Phenylketonuria  
 Synthetic Diets  
 Tyrosinaemia

**BIRTHMARKS**

See: Disfiguring Skin Lesions

**BOWEL FISTULAE**

Clinutren 1.5  
 Clinutren Dessert (as a supplement)  
 Clinutren Fruit (as a supplement)  
 Clinutren ISO  
 Clinutren Junior  
 Complan Ready-to-drink  
 Elemental 028  
 Elemental 028 Extra  
 Elemental 028 Extra (Liquid)  
 Emsogen  
 Enlive Plus (as a supplement)  
 Enmix Plus Commence (as a supplement)  
 Enrich  
 Enrich Plus  
 Ensure  
 Ensure 500ml Ready to Hang (Vanilla Flavour only)  
 Ensure Plus Liquid Feed (as a supplement)  
 Ensure Plus Yoghurt Style (as a supplement)  
 Foodlink Complete  
 Formance (as a supplement)  
 Forticreme (as a supplement)  
 Fortifresh  
 Fortijuice (as a supplement)  
 Fortimel (as a supplement)  
 Fortisip Bottle (as a supplement)  
 Fortisip Multifibre (as a supplement)  
 Fortisip Protein  
 Frebini  
 Frebini Energy  
 Frebini Energy Drink (Strawberry and Banana Flavours)  
 Frebini Energy Fibre  
 Frebini Energy Fibre Drink  
 Frebini Original Fibre  
 Fresubin Energy  
 Fresubin Energy Fibre Sip Feed  
 Fresubin Energy Fibre (Neutral) Tube Feed  
 Fresubin HP Energy (as a supplement)

---

**BORDERLINE SUBSTANCES**

---

**BOWEL FISTULAE**

Fresubin Liquid and Sip Feeds  
Fresubin Protein Energy Drink (as a supplement)  
Fresubin 1000 Complete  
Fresubin 1200 Complete  
Isosource Energy  
Isosource Fibre  
Isosource Standard  
Jevity  
Jevity 1.5kcal  
Jevity Plus  
Modulen IBD  
Novasource Forte  
Novasource GI Control  
Nutrini  
Nutrini Energy  
Nutrini Multifibre  
Nutrison Energy (as a supplement)  
Nutrison Energy Multifibre  
Nutrison MCT (as a supplement)  
Nutrison Multifibre  
Nutrison Standard  
Osmolite  
Osmolite Plus  
Paediasure  
Paediasure Plus  
Paediasure with Fibre  
Paediasure Plus with Fibre  
Peptamen  
Peptisorb  
Perative (as a supplement)  
ProSure 500ml Ready to Hang  
Provide Xtra (as a supplement)  
Resource Benefiber (as a supplement)  
Resource Energy Dessert (as a supplement)  
Resource Protein Extra (as a supplement)  
Resource Shake Nutritional Supplement  
Sondalis 1.5 Liquid Feed  
Sondalis Fibre Liquid Feed  
Sondalis Iso Liquid Feed  
Survimed OPD (as a supplement)  
Tentrini  
Tentrini Energy

**CALCIUM INTOLERANCE**

Locasol

**CARBOHYDRATE MALABSORPTION**

for definition of lactose or sucrose intolerance, see page 413

Calogen  
Pro-Cal  
QuickCal  
Vitasavoury

See: Synthetic Diets  
Malabsorption States



**BORDERLINE SUBSTANCES****CARBOHYDRATE MALABSORPTION**a) Disaccharide intolerance (without isomaltose intolerance)

Caloreen  
 Duocal (Liquid and Super Soluble)  
 Maxijul LE  
 Maxijul Liquid  
 Maxijul Super Soluble  
 Nutramigen 1  
 Nutramigen 2  
 Nutrison Soya  
 Pepdite  
 Pepdite 1+  
 Pepti-Junior  
 Polycal (Liquid & Powder)  
 Polycose Powder  
 Pregestimil  
 Prejomin  
 Pro-Cal  
 QuickCal  
 Vitajoule  
 Vitasavoury

See: Lactose intolerance  
 Lactose with associated sucrose intolerance

b) Isomaltose intolerance

Glucose

c) Glucose + galactose intolerance

Comminuted Chicken Meat (SHS)  
 Fructose  
 Galactomin 19 (Fructose Formula)

d) Lactose intolerance

Colief  
 Comminuted Chicken Meat (SHS)  
 Cow & Gate Pepti  
 Enfamil Lacto free  
 Farley's Soya Formula  
 Galactomin 17  
 Infasoy  
 Isomil Powder  
 Nutramigen 1  
 Nutrison Soya  
 Pepdite  
 Pepdite 1+  
 Pepdite 1+ (Banana Flavour)  
 Pregestimil  
 Prejomin  
 Prosobee liquid and powder  
 SMA LF  
 Wysoy

---

**BORDERLINE SUBSTANCES**

---

**CARBOHYDRATE MALABSORPTION**

- e) Lactose with associated sucrose intolerance  
Comminuted Chicken Meat (SHS)  
Farley's Soya Formula  
Galactomin 17  
Infasoy  
Nutramigen 1  
Nutrison Soya  
Pepti-Junior  
Pregestimil  
Prejomin  
Prosobee liquid and powder  
Wysoy
  - f) Sucrose intolerance  
Glucose (dextrose)
- See: Synthetic Diets  
Malabsorption  
Lactose with associated sucrose intolerance

**CARNITINE PALMITOYL TRANSFERASE DEFICIENCY (CPTD)**  
Monogen

**COELIAC DISEASE**  
See: Gluten-Sensitive Enteropathies

**CONTINUOUS AMBULATORY PERITONEAL DIALYSIS (CAPD)**  
See: Dialysis

**CYSTIC FIBROSIS**  
See: Malabsorption

**DERMATITIS**

Aveeno Baby Colloidal  
Aveeno Bath Oil  
Aveeno Colloidal  
Aveeno Cream  
Aveeno Lotion  
E45 Emollient Bath Oil  
E45 Emollient Wash Cream  
E45 Lotion  
Vaseline Dermacare Cream  
Vaseline Dermacare Lotion

**DERMATITIS HERPETIFORMIS**  
See: Gluten-Sensitive Enteropathies.

**DIALYSIS**

Nutritional Supplements for Haemodialysis or Continuous Ambulatory Peritoneal Dialysis (CAPD) patients.

- Clinutren Dessert
- Enrich Plus
- Ensure Plus Liquid Feed
- Ensure Plus Yoghurt Style
- Formance
- Forticreme
- Fresubin HP Energy
- Fresubin Protein Energy Drink
- Kindergen
- Nepro

**BORDERLINE SUBSTANCES****DIALYSIS**

Renapro  
Resource Energy Dessert  
Suplena

**DISACCHARIDE INTOLERANCE**

See: Carbohydrate malabsorption

**DISFIGURING SKIN LESIONS (BIRTHMARKS, MUTILATING LESIONS, AND SCARS)**

Covermark Classic Foundation  
Covermark Finishing Powder  
Dermacolor Camouflage Cream  
Dermacolor Fixing Powder  
Keromask Finishing Powder  
Keromask Masking Cream  
Veil Cover Cream  
Veil Finishing Powder

**DYSPHAGIA**

for definition, see page 413

Clinutren 1.5  
Clinutren 1.5 Fibre  
Clinutren Dessert (as a supplement)  
Clinutren Fruit (as a supplement)  
Clinutren ISO  
Clinutren Junior  
Clinutren Thickened Drinks  
Clinutren Thickener  
Complan Ready-to-drink  
Enfamil AR  
Enlive Plus (as a supplement)  
Enmix Plus Commence (as a supplement)  
Enrich  
Enrich Plus  
Ensure  
Ensure 500ml Ready to Hang (Vanilla Flavour only)  
Ensure Plus Liquid Feed (as a supplement)  
Ensure Plus Yoghurt Style (as a supplement)  
Foodlink Complete  
Formance (as a supplement)  
Forticreme (as a supplement)  
Fortifresh  
Fortijuice (as a supplement)  
Fortimel (as a supplement)  
Fortisip Bottle (as a supplement)  
Fortisip Multifibre (as a supplement)  
Fortisip Protein  
Frebini  
Frebini Energy  
Frebini Energy Drink (Strawberry and Banana Flavours)  
Frebini Energy Fibre  
Frebini Energy Fibre Drink  
Frebini Original Fibre  
Fresubin Energy  
Fresubin Energy Fibre Sip Feed  
Fresubin Energy Fibre (Neutral) Tube Feed  
Fresubin HP Energy (as a supplement)  
Fresubin Liquid and Sip Feeds  
Fresubin Protein Energy Drink (as a supplement)

---

**BORDERLINE SUBSTANCES**

---

**DYSPHAGIA**

Fresubin 1000 Complete  
Isosource Energy  
Isosource Energy Fibre  
Isosource Fibre  
Isosource Junior  
Isosource Standard  
Jevity  
Jevity Plus  
Jevity 1.5kcal  
Modulen IBD  
Novasource Forte  
Novasource GI Control  
Nutilis (as a thickener)  
Nutrini  
Nutrini Energy  
Nutrini Energy Multifibre  
Nutrini Low Energy Multifibre  
Nutrini Multifibre  
Nutrison Energy (as a supplement)  
Nutrison Energy Multifibre  
Nutrison MCT (as a supplement)  
Nutrison Multifibre  
Nutrison Soya  
Nutrison Standard  
Nutrison Vitaplus Multi Fibre  
Osmolite  
Osmolite Plus  
Paediasure  
Paediasure Plus  
Paediasure Plus with Fibre  
Paediasure with Fibre  
ProSure 500ml Ready to Hang  
Provide Xtra (as a supplement)  
Resource Benefiber  
Resource Energy Dessert (as a supplement)  
Resource Junior (as a supplement)  
Resource Protein Extra (as a supplement)  
Resource Shake Nutritional Supplement  
Resource ThickenUp without Vitamins and Minerals  
Resource Thickened Squash and Resource Ready Thickened Drinks  
SMA Staydown  
Sondalis 1.5 Liquid Feed  
Sondalis Fibre Liquid Feed  
Sondalis ISO Liquid Feed  
Survimed OPD (as a supplement)  
Tentrini  
Tentrini Energy  
Tentrini Energy Multi Fibre  
Tentrini Multi Fibre  
Thick and Easy (as a thickener)  
Thick and Easy Dairy  
Thixo-D (as a thickener)  
Thixo-D Low-Cal (as a thickener)  
Vitaquick (as a thickener)

**ECZEMA**

See: Dermatitis

**BORDERLINE SUBSTANCES****EPILEPSY (KETOGENIC DIET IN)**

Alembicol D  
Liquigen  
Medium-chain triglyceride oil (MCT)

**FLAVOURING FOR USE WITH ANY UNFLAVOURED PRODUCT BASED ON PEPTIDES OR AMINO ACIDS**

SHS Flavour Modjul  
SHS Flavour Sachet

**GALACTOKINASE DEFICIENCY AND GALACTOSAEMIA**

Farley's Soya Formula  
Galactomin 17  
Infasoy  
Isomil Powder  
Prosobee Liquid and Powder  
Wysoy

**GASTRECTOMY (TOTAL)**

Clinutren 1.5  
Clinutren 1.5 Fibre  
Clinutren Dessert (as a supplement)  
Clinutren Fruit (as a supplement)  
Clinutren ISO  
Clinutren Junior  
Complan Ready-to-drink  
Enlive Plus (as a supplement)  
Enmix Plus Commence (as a supplement)  
Enrich  
Enrich Plus  
Ensure  
Ensure 500ml Ready to Hang (Vanilla Flavour only)  
Ensure Bar  
Ensure Plus Liquid Feed (as a supplement)  
Ensure Plus Yoghurt Style (as a supplement)  
Foodlink Complete  
Formance (as a supplement)  
Forticreme (as a supplement)  
Fortifresh  
Fortijuice (as a supplement)  
Fortimel (as a supplement)  
Fortisip Bottle (as a supplement)  
Fortisip Multifibre (as a supplement)  
Fortisip Protein  
Frebini  
Frebini Energy  
Frebini Energy Drink (Strawberry and Banana Flavours)  
Frebini Energy Fibre  
Frebini Energy Fibre Drink  
Frebini Original Fibre  
Fresubin Energy  
Fresubin Energy Fibre Sip Feed  
Fresubin Energy Fibre (Neutral) Tube Feed  
Fresubin HP Energy (as a supplement)  
Fresubin Liquid and Sip Feeds  
Fresubin Protein Energy Drink (as a supplement)  
Fresubin 1000 Complete  
Fresubin 1200 Complete  
Isosource Energy

---

**BORDERLINE SUBSTANCES**

---

**GASTRECTOMY (TOTAL)**

Isosource Energy Fibre  
Isosource Fibre  
Isosource Junior  
Isosource Standard  
Jevity  
Jevity Plus  
Jevity 1.5kcal  
Modulen IBD  
Novasource Forte  
Novasource GI Control  
Nutrini Energy  
Nutrini Energy Multifibre  
Nutrini Low Energy Multifibre  
Nutrini Multifibre  
Nutrison Energy (as a supplement)  
Nutrison Energy Multifibre  
Nutrison MCT (as a supplement)  
Nutrison Multifibre  
Nutrison Soya  
Nutrison Standard  
Nutrison Vitaplus Multi Fibre  
Osmolite  
Osmolite Plus  
Perative (as a supplement)  
Provide Xtra (as a supplement)  
Resource Benefiber  
Resource Energy Dessert (as a supplement)  
Resource Junior (as a supplement)  
Resource Protein Extra (as a supplement)  
Resource Shake Nutritional Supplement  
Sondalis 1.5 Liquid Feed  
Sondalis Fibre Liquid Feed  
Sondalis ISO Liquid Feed  
Survimed OPD (as a supplement)  
Tentrini  
Tentrini Energy  
Tentrini Energy Multi Fibre  
Tentrini Multi Fibre

**GLUCOSE/GALACTOSE INTOLERANCE**

Comminuted Chicken Meat (SHS)  
Galactomin 19 (Fructose Formula)  
See: Carbohydrate Malabsorption

**GLUTARIC ACIDURIA**

XYLS, TRY Low Analog  
XYLS LOW TRY Maxamaid

**BORDERLINE SUBSTANCES****GLUTEN-SENSITIVE ENTEROPATHIES**

Aprotin gluten-free flour  
 Arnott's gluten-free rice cookies  
 Baker's Delight wheat, gluten and dairy free bread  
 Barkat brown rice pizza crust  
 Barkat gluten-free bread mix  
 Barkat gluten-free brown rice bread  
 Barkat gluten-free wheat-free multi grain bread  
 Barkat gluten-free white rice bread  
 Barkat white rice pizza crust  
 Bi-Aglut gluten-free biscuits  
 Bi-Aglut gluten-free cracker toast  
 Bi-Aglut gluten-free crackers  
 Bi-Aglut gluten-free pastas (fusilli, lasagne, macaroni, penne, spaghetti)  
 Dietary Specials gluten-free brown bread mix  
 Dietary Specials gluten-free corn bread mix  
 Dietary Specials gluten-free cracker bread  
 Dietary Specials gluten-free digestive biscuits  
 Dietary Specials gluten-free fibre mix  
 Dietary Specials gluten-free high fibre crackers  
 Dietary Specials gluten-free hoops tea biscuits  
 Dietary Specials gluten-free multigrain sliced loaf  
 Dietary Specials gluten-free part baked bloomer  
 Dietary Specials gluten-free part baked brown loaf  
 Dietary Specials gluten-free part baked white baguettes  
 Dietary Specials gluten-free part baked white buns  
 Dietary Specials gluten-free part baked white loaf  
 Dietary Specials gluten-free part baked white rolls  
 Dietary Specials gluten-free pasta (fusilli, penne, spaghetti)  
 Dietary Specials gluten-free pastry mix  
 Dietary Specials gluten-free pizza bases  
 Dietary Specials gluten-free savory biscuits  
 Dietary Specials gluten-free sweet biscuits  
 Dietary Specials gluten-free white bread mix  
 Dietary Specials gluten-free white cake mix  
 Dietary Specials gluten-free white mix  
 Dietary Specials gluten-free white multigrain sliced loaf  
 Ener-G gluten-free brown rice bread  
 Ener-G gluten-free brown rice pasta (lasagne, macaroni, spaghetti)  
 Ener-G gluten-free cookies (vanilla flavour)  
 Ener-G gluten-free dinner rolls  
 Ener-G gluten-free rice loaf  
 Ener-G gluten-free rice pasta (cannelloni, lasagne, macaroni, shells, small shells, spaghetti, tagliatelle, vermicelli)  
 Ener-G gluten-free Seattle brown loaf  
 Ener-G gluten-free tapioca bread  
 Ener-G gluten-free white rice bread  
 Ener-G gluten-free xanthan gum  
 Gadsbys gluten-free white bread  
 Gadsbys gluten-free white bread flour  
 Gadsbys gluten-free white rolls  
 Gadsbys gluten-free white sliced bread  
 Glutafin gluten-free biscuits  
 Glutafin gluten-free crackers  
 Glutafin gluten-free digestive biscuits  
 Glutafin gluten-free high fibre crackers  
 Glutafin gluten-free pasta (lasagne, long-cut spaghetti, macaroni penne, shells, spirals, tagliatelle nests)

---

**BORDERLINE SUBSTANCES**

---

**GLUTEN-SENSITIVE ENTEROPATHIES**

Glutafin gluten-free pizza base  
Glutafin gluten-free savoury biscuits  
Glutafin gluten-free savoury shorts  
Glutafin gluten-free shortbread biscuit  
Glutafin gluten-free sweet biscuits (without chocolate or sultanas)  
Glutafin gluten-free tea biscuits  
Glutafin gluten-free wheat-free fibre loaf (sliced and unsliced)  
Glutafin gluten-free wheat-free fibre mix  
Glutafin gluten-free wheat-free fibre rolls  
Glutafin gluten-free wheat-free white loaf (sliced and unsliced)  
Glutafin gluten-free wheat-free white mix  
Glutafin gluten-free wheat-free white rolls  
Glutafin gluten-free white bread (canned) with added soya bran  
Glutafin Select gluten-free bread mix  
Glutafin Select gluten-free cake mix  
Glutafin Select gluten-free fibre bread mix  
Glutafin Select gluten-free fibre loaf (sliced and unsliced)  
Glutafin Select gluten-free fibre mix  
Glutafin Select gluten-free fibre rolls  
Glutafin Select gluten free fresh bread  
Glutafin Select gluten-free part-baked fibre loaf  
Glutafin Select gluten-free part-baked fibre rolls  
Glutafin Select gluten-free part-baked long fibre rolls  
Glutafin Select gluten-free part-baked long white rolls  
Glutafin Select gluten-free part-baked white loaf  
Glutafin Select gluten-free pastry mix  
Glutafin Select gluten-free white loaf (sliced and unsliced)  
Glutafin Select gluten-free white mix  
Glutafin Select gluten-free white rolls  
Glutafin Select gluten-free part-baked white rolls  
Glutafin Select gluten-free seeded loaf  
Glutano gluten-free biscuits  
Glutano gluten-free crackers  
Glutano gluten-free crispbread  
Glutano gluten-free flour mix  
Glutano gluten-free par-baked (baguette, rolls, white sliced bread)  
Glutano gluten-free pasta (animal shapes, macaroni, spaghetti, spirals, tagliatelle)  
Glutano gluten-free shortcake rings  
Glutano gluten-free wheat-free digestive biscuit  
Glutano gluten-free wholemeal bread (sliced)  
Glutano gluten-free wholemeal par-baked bread  
Gratis gluten-free pasta (alphabets, macaroni, shells, short cut spaghetti, spirals)  
Heron Foods Organic gluten-free bread mix  
Heron Foods Organic gluten-free hi-fibre bread mix  
Juvela gluten-free bread rolls  
Juvela gluten-free crispbread  
Juvela gluten-free digestive biscuits  
Juvela gluten-free fibre bread rolls  
Juvela gluten-free fibre loaf (sliced and unsliced)  
Juvela gluten-free fibre mix  
Juvela gluten-free harvest mix  
Juvela gluten-free lasagne  
Juvela gluten-free loaf (sliced and unsliced)  
Juvela gluten-free mix  
Juvela gluten-free part-baked bread rolls  
Juvela gluten-free part-baked fibre bread rolls  
Juvela gluten-free part-baked fibre loaf



**BORDERLINE SUBSTANCES****GLUTEN-SENSITIVE ENTEROPATHIES**

Juvela gluten-free part-baked loaf  
 Juvela gluten-free pasta (fusilli, lasagne, macaroni, spaghetti)  
 Juvela gluten-free pizza base  
 Juvela gluten-free savoury biscuits  
 Juvela gluten-free sweet biscuits  
 Juvela gluten-free tagliatelle  
 Juvela gluten-free tea biscuits  
 Lifestyle gluten-free bread rolls  
 Lifestyle gluten-free brown bread  
 Lifestyle gluten-free high fibre bread  
 Lifestyle gluten-free high fibre bread rolls  
 Lifestyle gluten-free white bread  
 Liga gluten-free rusks (Jacobs)  
 Mrs Leepers pasta (corn elbows, corn fettucine, corn penne, corn rotelli, corn vegetable radiatore, rice spaghetti, rice vegetable penne rigate, rice vegetable twists)  
 Orgran bread mix  
 Orgran gluten-free buckwheat spirals pasta  
 Orgran gluten-free corn lasagne, corn spaghetti, corn spirals pasta  
 Orgran gluten-free crispbread corn, crispbread rice  
 Orgran gluten-free organic brown rice spirals  
 Orgran gluten-free pizza & pastry mix  
 Orgran gluten-free rice spaghetti, rice spirals  
 Orgran gluten-free rice and millet spirals  
 Orgran gluten-free ris o'mais (rice and maize) lasagne, ris o'mais spaghetti, ris o'mais spirals  
 Orgran gluten-free split pea & soya pasta shells  
 Orgran ris 'o' mais macaroni  
 Orgran self-raising flour  
 Pleniday gluten-free bread (sliced country loaf, petit pain (par baked), rustic loaf sliced)  
 Pleniday gluten-free pasta (conchigli, penne, rigate, tagliatelli)  
 Pleniday sesame rolls  
 Polial gluten-free biscuits  
 Pure gluten-free blended flour  
 Pure xanthan gum  
 Rite-Diet gluten-free fibre mix  
 Rite-Diet gluten-free fibre rolls  
 Rite-Diet gluten-free fibre bread (sliced and unsliced)  
 Rite-Diet gluten-free white bread (sliced and unsliced)  
 Rite-Diet gluten-free white mix  
 Rite-Diet gluten-free white rolls  
 Rite-Diet gluten-free part-baked fibre loaf  
 Rite-Diet gluten-free 2 part-baked long fibre rolls  
 Rite-Diet gluten-free 2 part-baked long white rolls  
 Rite-Diet gluten-free part-baked white loaf  
 Sarahvee gluten-free mix  
 Sarahvee xanthan gum  
 Schar gluten-free biscuits  
 Schar gluten-free bread  
 Schar gluten-free bread mix  
 Schar gluten-free bread rolls  
 Schar gluten-free brown bread ertha  
 Schar gluten-free cake mix  
 Schar gluten-free crackers  
 Schar gluten-free cracker toast  
 Schar gluten-free crispbread  
 Schar gluten-free flour mix for cooking  
 Schar gluten-free french bread (baguette)  
 Schar gluten-free frollini tea biscuits  
 Schar gluten-free grissini breadsticks

---

**BORDERLINE SUBSTANCES**

---

**GLUTEN-SENSITIVE ENTEROPATHIES**

Schar gluten-free pasta (alphabet pasta, bavette, fusilli, lasagne, macaroni, penne, spaghetti)  
Schar gluten-free pizza base  
Schar gluten-free savoy biscuits  
Schar gluten-free wheat-free biscottini  
Schar gluten-free wheat-free bread buns (white)  
Schar gluten-free wheat-free lunch rolls  
Schar gluten-free white bread  
Schar gluten-free wholemeal bread  
Schar gluten-free wholemeal flour mix  
Sunnyvale gluten-free mixed grain sourdough bread  
Tritamyl gluten-free brown bread mix  
Tritamyl gluten-free flour mix  
Tritamyl gluten-free white bread mix  
Ultra gluten-free baguette  
Ultra gluten-free bread  
Ultra gluten-free bread rolls  
Ultra gluten-free crackerbread  
Ultra gluten-free high fibre bread  
Ultra gluten-free pasta (tagliatelle, spaghetti, penne, fusili)  
Ultra gluten-free pizza base  
Ultra gluten-free sweet biscuits  
Valpiform gluten-free and wheat free pastry mix  
Valpiform gluten-free bread mix  
Valpiform gluten-free country loaf  
Valpiform gluten-free crac'form toast  
Valpiform gluten-free crisp rolls  
Valpiform gluten-free maxi baguettes  
Valpiform gluten-free pastry mix  
Valpiform gluten-free petites baguettes  
Wellfoods gluten-free burger buns  
Wellfoods gluten-free flour alternative  
Wellfoods gluten-free loaf  
Wellfoods gluten-free pizza bases  
Wellfoods gluten-free rolls  
Wellfoods gluten-free sliced loaf

**GLUTEN-SENSITIVE ENTEROPATHIES WITH COEXISTING ESTABLISHED WHEAT SENSITIVITY**

Ener-G gluten-free pizza bases  
Ener-G gluten-free Seattle brown rolls (hamburgers)  
Ener-G gluten-free Seattle brown rolls (hot dogs)  
Ener-G gluten-free six flour loaf  
Glutafin Crisp Bread  
Glutafin Crisp Roll  
Glutafin gluten-free wheat-free bread mix  
Glutafin gluten-free wheat-free cake mix  
Glutafin gluten-free wheat-free fibre bread mix  
Glutafin gluten-free wheat-free pastry mix  
Heron Foods Organic gluten-free wheat-free bread/cake mix  
Heron Foods Organic gluten-free wheat-free hi-fibre bread mix  
Proceli brown rice bread  
Proceli pizza bases  
Proceli sliced white bread

**GLYCOGEN STORAGE DISEASE**

Caloreen  
Corn Flour or Corn Starch  
Dextrose  
Glucose

---

**BORDERLINE SUBSTANCES**

---

**GLYCOGEN STORAGE DISEASE**

Maxijul LE  
Maxijul Liquid (Orange flavour only)  
Maxijul Super Soluble  
Polycal (Liquid & Powder)  
Polydose Powder  
Pro-Cal  
QuickCal  
Vitajoule  
Vitasavoury

**GROWTH FAILURE (DISEASE RELATED)**

Clinutren Junior  
Fortini  
Fortini Multi Fibre  
Frebini  
Frebini Energy  
Frebini Energy Drink (Strawberry and Banana Flavours)  
Frebini Energy Fibre  
Frebini Energy Fibre Drink  
Frebini Original Fibre  
Nutrini  
Nutrini Energy  
Nutrini Energy Multifibre  
Nutrini Low Energy Multifibre  
Nutrini Multifibre  
Paediasure  
Paediasure Plus  
Paediasure Plus with Fibre  
Paediasure with Fibre  
ProSure 500ml Ready to Hang  
SMA High Energy  
Survimed OPD  
Tentrini  
Tentrini Energy  
Tentrini Energy Multi Fibre  
Tentrini Multi Fibre

**HAEMODIALYSIS**

See: Dialysis

**HISTIDINAEMIA**

See: Low-Protein Products  
Synthetic Diets

**HOMOCYSTEINURIA**

Analog RVHB  
Vitaflor Flavour Pac  
Vitaflor HCU Express  
Vitaflor HCU Gel  
XMET Homidon  
XMET Maxamaid  
XMET Maxamum

See: Low-Protein Products  
Synthetic Diets

**HYPERLIPOPROTEINAEMIA TYPE 1**

Alembicol-D (MCT Oil)  
Liquigen

---

**BORDERLINE SUBSTANCES**

---

**HYPERLIPOPROTEINAEMIA TYPE 1**

Medium chain triglyceride oil

**HYPERLYSINAEMIA**Analog XLYS  
XLYS Maxamaid**HYPERMETHIONINAEMIA**Analog RVHB  
XMET Homidon  
XMET Maxamaid  
XMET Maxamum**HYPOGLYCAEMIA**Corn Flour or Corn Starch  
See: Glycogen Storage Disease**HYPOPROTEINAEMIA**Casilan 90  
Dialamine  
Maxipro Super Soluble  
Maxisorb  
Pro-Mod  
Protifar  
Renapro  
Vitapro**INFLAMMATORY BOWEL DISEASE**Clinutren 1.5  
Clinutren 1.5 Fibre  
Clinutren Dessert (as a supplement)  
Clinutren Fruit (as a supplement)  
Clinutren ISO  
Clinutren Junior  
Complan Ready-to-drink  
Elemental 028  
Elemental 028 Extra  
Elemental 028 Extra (Liquid)  
Emsogen  
Enlive Plus (as a supplement)  
Enmix Plus Commence (as a supplement)  
Enrich  
Enrich Plus  
Ensure  
Ensure 500ml Ready to Hang (Vanilla Flavour only)  
Ensure Bar  
Ensure Plus Liquid Feed (as a supplement)  
Ensure Plus Yoghurt Style (as a supplement)  
Foodlink Complete  
Formance (as a supplement)  
Forticreme (as a supplement)  
Fortifresh  
Fortijuice (as a supplement)  
Fortimel (as a supplement)  
Fortisip Bottle (as a supplement)  
Fortisip Multifibre (as a supplement)  
Fortisip Protein  
Frebini  
Frebini Energy

**BORDERLINE SUBSTANCES****INFLAMMATORY BOWEL DISEASE**

Frebini Energy Drink (Strawberry and Banana Flavours)  
 Frebini Energy Fibre  
 Frebini Energy Fibre Drink  
 Frebini Original Fibre  
 Fresubin Energy  
 Fresubin Energy Fibre Sip Feed  
 Fresubin Energy Fibre (Neutral) Tube Feed  
 Fresubin HP Energy (as a supplement)  
 Fresubin Liquid & Sip Feeds  
 Fresubin Protein Energy Drink (as a supplement)  
 Fresubin 1000 Complete  
 Fresubin 1200 Complete  
 Isosource Energy  
 Isosource Energy Fibre  
 Isosource Fibre  
 Isosource Junior  
 Isosource Standard  
 Jevity  
 Jevity Plus  
 Jevity 1.5kcal  
 Modulen IBD  
 Novasource Forte  
 Novasource GI Control  
 Nutrini Energy  
 Nutrini Multifibre  
 Nutrison Energy (as a supplement)  
 Nutrison Energy Multifibre  
 Nutrison MCT (as a supplement)  
 Nutrison Multifibre  
 Nutrison Soya  
 Nutrison Standard  
 Nutrison Vitaplus Multi Fibre  
 Osmolite  
 Osmolite Plus  
 Peptamen  
 Peptisorb  
 Perative (as a supplement)  
 Provide Xtra (as a supplement)  
 Resource Benefiber  
 Resource Energy Dessert (as a supplement)  
 Resource Junior (as a supplement)  
 Resource Protein Extra (as a supplement)  
 Resource Shake Nutritional Supplement  
 Sondalis 1.5 Liquid Feed  
 Sondalis Fibre Liquid Feed  
 Sondalis ISO Liquid Feed  
 Survimed OPD (as a supplement)  
 Tentrini  
 Tentrini Energy  
 Tentrini Energy Multi Fibre  
 Tentrini Multi Fibre

**INTESTINAL LYMPHANGIECTASIA****INTESTINAL SURGERY**

See: Malabsorption

---

**BORDERLINE SUBSTANCES**

---

**ISOMALTOSE INTOLERANCE**

See: Carbohydrate Malabsorption

**ISOVALERIC ACIDAEMIA**XLEU Analog  
XLEU Faladon  
XLEU Maxamaid**LACTOSE INTOLERANCE**

See: Carbohydrate Malabsorption

**LIPOPROTEIN LIPASE DEFICIENCY (PRIMARY AND SECONDARY)**

Monogen

**LIVER FAILURE**Aglutella low-protein rice  
Alembicol D  
Aminex low-protein biscuits  
Aminex low-protein cookies  
Aminex low-protein rusks  
Aproten low-protein biscuits  
Aproten low-protein bread mix  
Aproten low-protein cake mix  
Aproten low-protein crispbread  
Aproten low-protein pasta (anellini, ditalini, rigatini, spaghetti, tagliatelle)  
Ener-G low-protein egg replacer  
Ener-G low-protein pasta (lasagne, macaroni, large shells, small shells, spaghetti)  
Ener-G low-protein rice bread  
Fate low-protein all-purpose mix  
Fate low-protein cake mix  
Fate low-protein chocolate flavour cake mix  
Generaid  
Generaid Plus  
Harifen white chip cookies  
Juvela low-protein bread rolls  
Juvela low-protein chocolate chip, orange and cinnamon flavour cookies  
Juvela low-protein loaf  
Juvela low-protein mix  
Juvela low-protein pizza base  
Liquigen  
Loprofin low-protein breakfast cereal  
Loprofin low-protein chocolate flavour cream biscuits  
Loprofin low-protein chocolate, orange and vanilla flavour cream wafers  
Loprofin low-protein cinnamon and chocolate chip cookies  
Loprofin low-protein crackers  
Loprofin low-protein egg replacer  
Loprofin low-protein egg white replacer  
Loprofin low-protein fibre bread (sliced and unsliced)  
Loprofin low-protein loaf (sliced and unsliced)  
Loprofin low-protein mix  
Loprofin low-protein part baked rolls  
Loprofin low-protein pasta (long-cut spaghetti, macaroni penne, spirals, vermicelli, lasagne)  
Loprofin low-protein sweet biscuits  
Loprofin low-protein white rolls  
Medium chain triglyceride (MCT) oil  
Nepro  
Promin low-protein pasta (alphabets, macaroni, shells, short cut spaghetti, spirals)  
Promin low-protein pastameal  
Promin low-protein tricolour pasta (alphabets, shells and spirals)

**BORDERLINE SUBSTANCES****LIVER FAILURE**

Rite-Diet low-protein baking mix  
 Rite-Diet low-protein flour mix  
 Suplena  
 Ultra low-protein canned brown bread  
 Ultra low-protein canned white bread  
 Ultra PKU biscuits  
 Ultra PKU bread  
 Ultra PKU cookies  
 Ultra PKU flour mix  
 Ultra PKU pizza base  
 Ultra PKU savoy biscuits  
 Valpiform low-protein cookies with chocolate nuggets and hazelnut flavour  
 Valpiform low-protein shortbread biscuits  
 Vita-Bite

**LONG CHAIN ACYL-COA DEHYDROGENASE DEFICIENCY (LCAD)**

Monogen

**LOW-PROTEIN PRODUCTS**

Aglutella low-protein rice  
 Aproten low-protein biscuits  
 Aproten low-protein bread mix  
 Aproten low-protein crispbread  
 Aproten low-protein pasta (anellini, ditalini, rigatini, spaghetti, tagliatelle)  
 Ener-G low-protein egg replacer  
 Ener-G low-protein pasta (lasagne, macaroni, large shells, small shells, spaghetti)  
 Ener-G low-protein rice bread  
 Fate low-protein all-purpose mix  
 Fate low-protein cake mix  
 Fate low-protein chocolate flavour cake mix  
 Harifen low protein cracker toast  
 Harifen white chip cookies  
 Juvela low-protein bread rolls  
 Juvela low-protein chocolate chip, orange and cinnamon flavour cookies  
 Juvela low-protein loaf  
 Juvela low-protein mix  
 Juvela low-protein pizza base  
 Loprofin low-protein breakfast cereal  
 Loprofin low-protein chocolate flavour cream biscuits  
 Loprofin low-protein chocolate, orange and vanilla flavour cream wafers  
 Loprofin low-protein cinnamon and chocolate chip cookies  
 Loprofin low-protein crackers  
 Loprofin low-protein crunch bar  
 Loprofin low-protein egg replacer  
 Loprofin low-protein egg white replacer  
 Loprofin low-protein fibre bread (sliced and unsliced)  
 Loprofin low-protein herb crackers  
 Loprofin low-protein loaf (sliced and unsliced)  
 Loprofin low-protein mix  
 Loprofin low-protein part baked rolls  
 Loprofin low-protein pasta (long-cut spaghetti, macaroni penne, spirals, vermicelli, lasagne)  
 Loprofin low-protein snack pot  
 Loprofin low-protein sweet biscuits  
 Loprofin low-protein white bread rolls  
 Milupa low-protein drink  
 PK Foods Aminex low-protein biscuits

**BORDERLINE SUBSTANCES****LOW-PROTEIN PRODUCTS**

PK Foods Aminex low-protein cookies  
 PK Foods Aminex low-protein rusks  
 PK Foods low-protein crispbread  
 PK Foods low-protein pasta spirals  
 PK Foods low-protein white sliced bread  
 PKU-Gel  
 Promin low-protein hot breakfast (apple & cinnamon, chocolate and original flavours)  
 Promin low-protein imitation rice  
 Promin low-protein pasta (alphabets, macaroni, shells, short cut spaghetti, spirals)  
 Promin low-protein pastameal  
 Promin low-protein tricolour pasta (alphabets, shells, spirals)  
 Rite-Diet low-protein baking mix  
 Rite-Diet low-protein flour mix  
 Ultra low-protein canned brown bread  
 Ultra low-protein canned white bread  
 Ultra PKU biscuits  
 Ultra PKU bread  
 Ultra PKU cookies  
 Ultra PKU flour mix  
 Ultra PKU pizza base  
 Ultra PKU savoy biscuits  
 Valpiform low-protein cookies with chocolate nuggets and hazelnut flavour  
 Valpiform low-protein savory bites (herbs flavour)  
 Valpiform low-protein savory bites (tomato flavour)  
 Valpiform low-protein shortbread biscuits  
 Vita-Bite

Inherited metabolic disorders, renal or liver failure requiring a low-protein diet.

**MALABSORPTION STATES**

(See also: gluten-sensitive enteropathies, liver failure, carbohydrate malabsorption, intestinal lymphangiectasia, milk intolerance and synthetic diets)

- a) Protein sources
- Caprilon
  - Comminuted Chicken Meat (SHS)
  - Duocal (Liquid & Super Soluble)
  - Maxipro Super Soluble
  - Maxisorb
  - MCT Pepdite
  - MCT Pepdite 1+
  - Neocate
  - Neocate Advance (Unflavoured, banana vanilla flavour and strawberry vanilla flavour)
  - Pepdite
  - Pepdite 1+
  - Pepdite 1 + (Banana Flavour)
- b) Fat sources
- Alembicol D
  - Calogen
  - Calogen Banana
  - Calogen Butterscotch
  - Calogen Strawberry
  - Caprilon
  - Liquigen
  - MCT Pepdite
  - MCT Pepdite 1+
  - Medium chain triglyceride oil
  - Pro-Cal



**BORDERLINE SUBSTANCES****MALABSORPTION STATES**

- QuickCal  
Vitasavoury
- c) Carbohydrate sources  
Caloreen  
Calsip  
Maxijul LE  
Maxijul Liquid  
Maxijul Super Soluble  
Novasource GI Control  
Novasource GI Forte  
Nutrini Energy  
Nutrini Multifibre  
Polycal (Liquid & Powder)  
Polycose Powder  
Pro-Cal  
QuickCal  
Resource Benefiber  
Vitajoule  
Vitasavoury
- d) Fat/Carbohydrate sources  
Calshake  
Duobar (strawberry, toffee, neutral)  
Duocal (Liquid, MCT Powder & Super Soluble)  
Enshake (Vanilla and Strawberry Flavours)  
Scandishake Mix Flavoured and Unflavoured  
SPS Energy Bar
- e) Complete Feeds  
For use as the sole source of nutrition or as necessary nutritional supplements prescribed on medical grounds  
Caprilon  
Clinutren 1.5  
Clinutren 1.5 Fibre  
Clinutren ISO  
Clinutren Junior  
Complan Ready-to-drink  
Elemental 028  
Elemental 028 Extra  
Elemental 028 Extra (Liquid)  
Emsogen  
Enrich  
Ensure  
Ensure 500ml Ready to Hang (Vanilla Flavour only)  
Foodlink Complete  
Fortifresh  
Frebini  
Frebini Energy  
Frebini Energy Drink (Strawberry and Banana Flavours)  
Frebini Energy Fibre  
Frebini Energy Fibre Drink  
Frebini Original Fibre  
Fresubin Energy  
Fresubin Energy Fibre Sip Feed  
Fresubin Energy Fibre (Neutral) Tube Feed  
Fresubin Liquid and Sip Feeds  
Fresubin 1000 Complete  
Fresubin 1200 Complete

**BORDERLINE SUBSTANCES****MALABSORPTION STATES**

- Infatrini
  - Isosource Energy
  - Isosource Energy Fibre
  - Isosource Fibre
  - Isosource Standard
  - Jevity
  - Jevity Plus
  - Jevity 1.5kcal
  - MCT Pepdite
  - MCT Pepdite 1+
  - Modulen IBD
  - Novasource Forte
  - Novasource GI Control
  - Nutrini
  - Nutrini Energy
  - Nutrini Energy Multi Fibre
  - Nutrini Low Energy Multi Fibre
  - Nutrini Multifibre
  - Nutrison Energy Multifibre
  - Nutrison Multifibre
  - Nutrison Soya
  - Nutrison Standard
  - Nutrison Vitaplus Multi Fibre
  - Osmolite
  - Paediasure
  - Paediasure with Fibre
  - Paediasure Plus
  - Paediasure Plus with Fibre
  - Pepdite
  - Pepdite 1+
  - Pepdite 1+ (Banana Flavour)
  - Peptamen
  - Pepti - Junior
  - Peptisorb
  - Pregestimil
  - ProSure 500ml Ready to Hang
  - Reabilan
  - SMA High Energy
  - Sondalis 1.5 Liquid Feed
  - Sondalis Fibre Liquid Feed
  - Sondalis ISO Liquid Feed
  - Tentrini
  - Tentrini Energy
  - Tentrini Energy Multi Fibre
  - Tentrini Multi Fibre
- f) **Nutritional supplements**  
 Necessary nutritional supplements prescribed on medical grounds (products should be labelled to state that they are to be taken under dietetic supervision and that a maximum of x mls containing 80g protein (approximately y cans/packs) may be taken per day)
- Clinutren Dessert
  - Clinutren Fruit
  - Enlive Plus
  - Enmix Plus Commence (as a supplement)
  - Enrich Plus
  - Ensure Bar
  - Ensure Plus Liquid Feed

**BORDERLINE SUBSTANCES****MALABSORPTION STATES**

Ensure Plus Yoghurt Style  
 Formance  
 Forticreme  
 Fortijuice  
 Fortimel  
 Fortisip Bottle  
 Fortisip Multifibre  
 Fortisip Protein  
 Fresubin HP Energy  
 Fresubin Protein Energy Drink  
 Nutrison Energy  
 Nutrison MCT  
 Perative  
 Provide Xtra  
 Resource Benefiber  
 Resource Shake Nutritional Supplement  
 Survimed OPD

g) Minerals

Aminogran Mineral Mixture  
 Metabolic Mineral Mixture

h) Vitamins - as appropriate

See: Synthetic Diets

i) Vitamins and Minerals

Energivit  
 Paediatric Seravit

**MALNUTRITION (DISEASE RELATED)**

Calogen  
 Calogen Banana  
 Calogen Butterscotch  
 Calogen Strawberry  
 Caloreen  
 Calshake  
 Calsip  
 Clinutren 1.5  
 Clinutren 1.5 Fibre  
 Clinutren Dessert (as a supplement)  
 Clinutren Fruit (as a supplement)  
 Clinutren ISO  
 Clinutren Junior  
 Complan Ready-to-drink  
 Duobar (strawberry, toffee, neutral)  
 Duocal (Liquid, MCT Powder & Super Soluble)  
 Enlive Plus (as a supplement)  
 Enmix Plus Commence (as a supplement)  
 Enrich  
 Enrich Plus  
 Enshake (Vanilla and Strawberry Flavours)  
 Ensure  
 Ensure 500ml Ready to Hang (Vanilla Flavour only)  
 Ensure Bar  
 Ensure Plus Liquid Feed (as a supplement)  
 Ensure Plus Yoghurt Style (as a supplement)

---

**BORDERLINE SUBSTANCES**

---

**MALNUTRITION (DISEASE RELATED)**

Foodlink Complete  
Formance (as a supplement)  
Forticreme (as a supplement)  
Fortifresh  
Fortijuice (as a supplement)  
Fortimel (as a supplement)  
Fortini (as a supplement)  
Fortini Multi Fibre (as a supplement)  
Fortisip Bottle (as a supplement)  
Fortisip Multifibre (as a supplement)  
Fortisip Protein  
Frebini  
Frebini Energy  
Frebini Energy Drink (Strawberry and Banana Flavours)  
Frebini Energy Fibre  
Frebini Energy Fibre Drink  
Frebini Original Fibre  
Fresubin Energy  
Fresubin Energy Fibre Sip Feed  
Fresubin Energy Fibre (Neutral) Tube Feed  
Fresubin HP Energy (as a supplement)  
Fresubin Liquid & Sip Feeds  
Fresubin Protein Energy Drink (as a supplement)  
Fresubin 1000 Complete  
Fresubin 1200 Complete  
Infatrini  
Isosource Energy  
Isosource Energy Fibre  
Isosource Fibre  
Isosource Junior  
Isosource Standard  
Jevity  
Jevity Plus  
Jevity 1.5kcal  
Maxijul LE  
Maxijul Liquid  
Maxijul Super Soluble  
Modulen IBD  
Novasource Forte  
Novasource GI Control  
Nutrini  
Nutrini Energy  
Nutrini Energy Multifibre  
Nutrini Low Energy Multifibre  
Nutrini Multifibre  
Nutrison Energy (as a supplement)  
Nutrison Energy Multifibre  
Nutrison MCT (as a supplement)  
Nutrison Multifibre  
Nutrison Protein Plus  
Nutrison Protein Plus Multifibre  
Nutrison Soya  
Nutrison Standard  
Nutrison Vitaplus Multi Fibre  
Osmolite  
Osmolite Plus  
Paediasure

**BORDERLINE SUBSTANCES****MALNUTRITION (DISEASE RELATED)**

Paediasure Plus  
 Paediasure Plus with Fibre  
 Paediasure with Fibre  
 Perative (as a supplement)  
 Polycal (Liquid & Powder)  
 Polycose Powder  
 Pro-Cal  
 ProSure 500ml Ready to Hang  
 Provide Xtra (as a supplement)  
 QuickCal  
 Resource Benefiber  
 Resource Energy Dessert (as a supplement)  
 Resource Fruit Flavour Drink  
 Resource Junior (as a supplement)  
 Resource Protein Extra (as a supplement)  
 Resource Shake Nutritional Supplement  
 Scandishake Mix Flavoured and Unflavoured  
 SMA High Energy  
 Sondalis 1.5 Liquid Feed  
 Sondalis Fibre Liquid Feed  
 Sondalis ISO Liquid Feed  
 SPS Energy Bar  
 Survimed OPD (as a supplement)  
 Tentrini  
 Tentrini Energy  
 Tentrini Energy Multi Fibre  
 Tentrini Multi Fibre  
 Vitajoule  
 Vitasavoury

**MAPLE SYRUP URINE DISEASE**

Analog MSUD  
 Mapleflex (Unflavoured)  
 MSUD Aid III  
 MSUD Gel  
 MSUD Maxamaid  
 MSUD Maxamum  
 Vitaflo - MSUD Express  
 Vitaflo - Valine Amino Acid (as a supplement)  
 Vitaflo - Isoleucine Amino Acid (as a supplement)  
 See: Low-Protein Products  
 Synthetic Diets

**METHYLMALONIC ACIDAEMIA**

Analog XMET, THRE, VAL, ISOLEU  
 XMET, THRE, VAL, ISOLEU Maxamaid  
 XMET, THRE, VAL, ISOLEU Maxamum  
 XMTVI Asadon

**MILK PROTEIN SENSITIVITY**

Comminuted Chicken meat (SHS)  
 Cow & Gate Pepti  
 Farley's Soya Formula  
 Infasoy  
 Isomil Powder  
 Nutramigen 1  
 Prosobee Liquid and Powder

**BORDERLINE SUBSTANCES****MILK PROTEIN SENSITIVITY**

Wysoy  
See: Synthetic Diets.

**NUTRITIONAL SUPPORT FOR ADULTS**

(for precise conditions for which these products have been approved see the product listing in List A)

**A Nutritionally complete feeds**

For use as the sole source of nutrition or as necessary nutritional supplements prescribed on medical grounds

- a) Gluten Free
- Clinutren Junior
  - Foodlink Complete
  - Fortifresh
  - Fresubin Energy
  - Fresubin Energy Fibre Sip Feed
  - Fresubin Energy Fibre (Neutral) Tube Feed
  - Fresubin Liquid and Sip Feeds
  - Fresubin 1000 Complete
  - Fresubin 1200 Complete
  - Nutrison Energy Multifibre
  - Nutrison Multifibre
  - Nutrison Standard
  - Paediasure Plus
  - Sondalis ISO Liquid Feed
- b) Lactose and Gluten Free
- Enrich
  - Ensure
  - Ensure 500ml Ready to Hang (Vanilla Flavour only)
  - Nutrison Soya
  - Osmolite
  - Osmolite Plus
  - Sondalis 1.5 Liquid Feed
- c) Containing Fibre
- Clinutren 1.5 Fibre
  - Enrich
  - Fresubin Energy Fibre Sip Feed
  - Fresubin Energy Fibre (Neutral) Tube Feed
  - Fresubin Isofibre
  - Isosource Energy Fibre
  - Isosource Fibre
  - Jevity
  - Jevity Plus
  - Jevity 1.5kcal
  - Novasource Forte
  - Novasource GI Control
  - Nutrini Energy
  - Nutrini Energy Multifibre
  - Nutrini Low Energy Multifibre
  - Nutrini Multifibre
  - Nutrison Energy Multifibre
  - Nutrison Multifibre
  - Paediasure with Fibre
  - Sondalis Fibre Liquid Feed
- d) Elemental Feeds
- Elemental 028
  - Elemental 028 Extra
  - Elemental 028 Extra (Liquid)
  - Emsogen
  - Peptamen
  - Peptisorb

**BORDERLINE SUBSTANCES****NUTRITIONAL SUPPORT FOR ADULTS****B Nutritional Source Supplements**See: Synthetic Diets**Malabsorption States****General Supplements**

- a) Necessary nutritional supplements prescribed on medical grounds for the diseases in List A (products should be labelled to state that they are to be taken under dietetic supervision and that a maximum of xmls containing 80g protein (approximately y cans/packs) may be taken per day)

Clinutren Dessert  
 Clinutren Fruit  
 Enlive Plus  
 Enmix Plus Commence (as a supplement)  
 Enrich Plus  
 Ensure Bar  
 Ensure Plus Liquid Feed  
 Ensure Plus Yoghurt Style  
 Foodlink Complete  
 Formance  
 Forticreme  
 Fortijuice  
 Fortimel  
 Fortini  
 Fortini Multi Fibre  
 Fortisip Bottle  
 Fortisip Multifibre  
 Fresubin HP Energy  
 Fresubin Protein Energy Drink  
 Fresubin 1000 Complete  
 Fresubin 1200 Complete  
 Nutrison Energy  
 Nutrison MCT  
 Perative  
 Prosure  
 Provide Xtra  
 Resource Energy Dessert  
 Resource Junior  
 Resource Protein Extra  
 Survimed OPD

**b) Carbohydrates**

Caloreen (Low electrolyte content)  
 Calsip (Low electrolyte content)  
 Maxijul LE (Low electrolyte content)  
 Maxijul Liquid  
 Maxijul Super Soluble  
 Polycal (Liquid & Powder) (Low electrolyte content)  
 Polycose Powder  
 Pro-Cal  
 QuickCal  
 Resource Benefiber  
 Vitajoule  
 Vitasavoury

**c) Fat**

Alembicol D  
 Calogen  
 Calogen Banana  
 Calogen Butterscotch  
 Calogen Strawberry  
 Liquigen  
 MCT Oil

**BORDERLINE SUBSTANCES****NUTRITIONAL SUPPORT FOR ADULTS**

- d) Fat/Carbohydrate sources  
 Calshake  
 Duobar (strawberry, toffee, neutral)  
 Duocal (Liquid, MCT Powder & Super Soluble) (Low electrolyte content)  
 Scandishake Mix Flavoured and Unflavoured  
 SPS Energy Bar
- e) Nitrogen Sources  
 Casilan90 (Whole protein based, low sodium)  
 Maxipro Super Soluble  
 Maxisorb  
 Pro-Mod (Whey protein based, low sodium)
- f) Minerals  
 Aminogran mineral mixture  
 Metabolic mineral mixture

**PHENYLKETONURIA**

Aglutella low-protein rice  
 Aminex low-protein biscuits  
 Aminex low-protein cookies  
 Aminex low-protein rusks  
 Aminogran food supplement  
 Aminogran mineral mixture  
 Aminogran PKU tablets  
 Analog XP  
 Analog XP LPC  
 Aprotin low-protein biscuits  
 Aprotin low-protein bread mix  
 Aprotin low-protein cake mix  
 Aprotin low-protein crispbread  
 Aprotin low-protein pasta (anellini, ditalini, rigatini, spaghetti, tagliatelle)  
 Easiphen  
 Ener-G low-protein egg replacer  
 Ener-G low-protein pasta (lasagne, macaroni, large shells, small shells, spaghetti)  
 Fate low-protein potato mix  
 Harifen low protein cracker toast  
 Harifen white chip cookies  
 Juvela low-protein bread rolls  
 Juvela low-protein chocolate chip; orange and cinnamon flavour cookies  
 Juvela low-protein loaf (sliced and unsliced)  
 Juvela low-protein mix  
 Lophlex (unflavoured, orange flavour and berry flavour)  
 Loprofin low-protein breakfast cereal  
 Loprofin low-protein chocolate flavour cream biscuits  
 Loprofin low-protein chocolate, orange and vanilla flavour cream wafers  
 Loprofin low-protein cinnamon and chocolate chip cookies  
 Loprofin low-protein crackers  
 Loprofin low-protein egg replacer  
 Loprofin low-protein fibre bread (sliced and unsliced)  
 Loprofin low-protein loaf (sliced and unsliced)  
 Loprofin low-protein mix  
 Loprofin low-protein part baked rolls  
 Loprofin low-protein pasta (long-cut spaghetti, macaroni penne, spirals, vermicelli)  
 Loprofin low-protein sweet biscuits  
 Loprofin low-protein white rolls  
 Loprofin PKU Drink  
 L-Tyrosine Supplement  
 Metabolic Mineral Mixture  
 Minaphlex Flavoured & Unflavoured



**BORDERLINE SUBSTANCES****PHENYLKETONURIA**

Phlexy-10 Exchange System (Bar, Capsules & Drink Mix)  
 Phlexy-10 Tablets  
 Phlexyvits  
 PK Foods low-protein chocolate chip cookies  
 PK Foods low-protein cinnamon cookies  
 PK Foods low-protein crispbread  
 PK Foods low-protein egg replacer  
 PK Foods low-protein flour mix  
 PK Foods low-protein jelly mix dessert cherry flavour  
 PK Foods low-protein jelly mix dessert orange flavour  
 PK Foods low-protein orange cookies  
 PK Foods low-protein pasta spirals  
 PK Foods low-protein white sliced bread  
 PK Aid 4  
 PKU 2 (Milupa)  
 PKU 3 (Milupa)  
 PKU Express  
 PKU Express Cooler  
 PKU-Gel  
 Promin low-protein cous cous  
 Promin low-protein hot breakfast (apple & cinnamon, chocolate and original flavours)  
 Promin low-protein lasagne sheets  
 Promin low-protein pasta (alphabets, macaroni, shells, short-cut spaghetti, spirals)  
 Promin low-protein pasta in sauce (cheese and broccoli, tomato pepper and herb flavours)  
 Promin low-protein pastameal  
 Promin low-protein tricolour pasta (alphabets, shells, spirals)  
 Rite-Diet low-protein baking mix  
 Rite-Diet low-protein flour mix  
 Sno-Pro Drink  
 Ultra low-protein canned white bread  
 Ultra PKU biscuits  
 Ultra PKU bread  
 Ultra PKU cookies  
 Ultra PKU flour mix  
 Ultra PKU pizza base  
 Ultra PKU savoy biscuits  
 Valpiform low-protein cookies which chocolate nuggets and hazelnut flavour  
 Valpiform low-protein shortbread biscuits  
 XP Maxamaid  
 XP Maxamaid Concentrate  
 XP Maxamaid Orange  
 XP Maxamum  
 See: Low-Protein Products  
 Synthetic Diets

**XV****PHOTODERMATOSES (SKIN PROTECTION IN)**

Delph Sun Lotion SPF 15, SPF 20, SPF 25, SPF 30  
 E45 Sun Block SPF 25, SPF 50  
 RoC Sante Soleil SPF25  
 Spectraban 25  
 Spectraban Ultra  
 Sensense Ultra (Ego)  
 Uvistat Sunblock Cream Factor 20  
 Uvistat Ultrablock Suncream Factor 30

---

**BORDERLINE SUBSTANCES**

---

**PROPIONIC ACIDAEMIA**

Analog XMET, THRE, VAL, ISOLEU  
XMET, THRE, VAL, ISOLEU, Maxamaid  
XMET, THRE, VAL, ISOLEU, Maxamum  
XMTVI Asadon

**PROTEIN INTOLERANCE**

See: Amino Acid Metabolic Disorders  
Low-Protein Products  
Milk Protein Sensitivity  
Synthetic Diets  
Whole Protein Sensitivity

**PRURITUS**

See: Dermatitis

**PSORIASIS**

See: Scaling of the Scalp

**REFSUM'S DISEASE**

See: Fresubin Liquid and Sip Feeds

**RENAL DIALYSIS**

See: Dialysis

**RENAL FAILURE**

Aglutella low-protein rice  
Aminex low-protein biscuits  
Aminex low-protein cookies  
Aminex low-protein rusks  
Aproten low-protein biscuits  
Aproten low-protein bread mix  
Aproten low-protein cake mix  
Aproten low-protein crispbread  
Aproten low-protein pasta (anellini, ditalini, rigatini, spaghetti, tagliatelle)  
Dialamine  
Ener-G low-protein egg replacer  
Ener-G low protein pasta (lasagne, macaroni, large shells, small shells, spaghetti)  
Ener-G low-protein rice bread  
Fate low-protein all-purpose mix  
Fate low-protein cake mix  
Fate low-protein chocolate flavour cake mix  
Juvela low-protein bread rolls  
Juvela low-protein chocolate chip, orange and cinnamon flavour cookies  
Juvela low-protein loaf  
Juvela low-protein mix  
Juvela low-protein pizza base  
Kindergen  
Loprofin low-protein breakfast cereal  
Loprofin low-protein cinnamon and chocolate chip cookies  
Loprofin low-protein chocolate flavour cream biscuits  
Loprofin low-protein chocolate, orange and vanilla flavour cream wafers  
Loprofin low-protein crackers  
Loprofin low-protein egg replacer  
Loprofin low-protein egg white replacer  
Loprofin low-protein fibre bread (sliced and unsliced)  
Loprofin low-protein loaf (sliced and unsliced)  
Loprofin low-protein mix  
Loprofin low-protein part-baked rolls  
Loprofin low-protein pasta (long-cut spaghetti, macaroni penne, spirals, vermicelli)

**BORDERLINE SUBSTANCES****RENAL FAILURE**

Loprofin low-protein sweet biscuits  
 Loprofin low-protein white rolls  
 Nepro  
 Promin low-protein pasta (alphabets, macaroni, shells, short-cut spaghetti, spirals)  
 Promin low-protein pastameal  
 Promin low-protein tricolour pastas (alphabets, shells, spirals)  
 Renamil  
 Rite-Diet low-protein baking mix  
 Rite-Diet low-protein flour mix  
 Sno-Pro drink  
 Suplena  
 Ultra low-protein canned brown bread  
 Ultra low-protein canned white bread  
 Ultra PKU biscuits  
 Ultra PKU bread  
 Ultra PKU cookies  
 Ultra PKU flour mix  
 Ultra PKU pizza base  
 Ultra PKU savoy biscuits  
 Valpiform low-protein cookies with chocolate nuggets and hazelnut flavour  
 Valpiform low-protein shortbread biscuits  
 Vita-Bite

**SHORT BOWEL SYNDROME**

See: Malabsorption

**SICCA SYNDROME**

A.S. Saliva Orthana  
 Biotene Oralbalance Dry Mouth Saliva Replacement Gel  
 Bioxtra Moisturising Gel  
 Glandosane  
 Luborant Saliva Replacement  
 Saliveze  
 Salivix Pastilles

**SYNTHETIC DIETS**

(for precise conditions for which these products have been approved see the product listing in List A)

- a) Fat
- Alembicol D
  - Calogen
  - Calogen Banana
  - Calogen Butterscotch
  - Calogen Strawberry
  - Liquigen
  - Medium chain triglyceride oil
  - Pro-Cal
  - QuickCal
  - Vitasavoury
- b) Carbohydrate
- Caloreen
  - Calsip
  - Maxijul LE
  - Maxijul Liquid
  - Maxijul Super Soluble
  - Polycal (Liquid & Powder)
  - Polycose Powder
  - Pro-Cal

**BORDERLINE SUBSTANCES****SYNTHETIC DIETS**

- QuickCal
- Vitasavoury
- Vitajoule
- c) Fat/Carbohydrate
  - Calshake
  - Duobar (strawberry, toffee, neutral)
  - Duocal (Liquid, MCT Powder & Super Soluble)
  - Enshake (Vanilla and Strawberry Flavours)
  - Scandishake Mix Flavoured and Unflavoured
  - SPS Energy Bar
- d) Minerals
  - Aminogran Mineral Mixture
  - Metabolic Mineral Mixture
- e) Protein Sources
- See: Malabsorption states
- f) Vitamins - as appropriate
- See: Malabsorption States
- Nutritional Support for Adults
- g) Vitamins and Minerals
- Paediatric Seravit
- Phlexyvits

**TYROSINAEMIA**

- Analog XPHEN, TYR
- Analog XYPHEN, TYR, MET
- Vitafo - Tyr Gel
- XPHEN, TYR Maxamaid
- XPT Tyrosidon
- XPTM Tyrosidon

**UREA CYCLE DISORDERS**

- L-Arginine Supplement for urea cycle disorders. (S.H.S.)

**VITILIGO**

- Covermark Classic Foundation
- Covermark Finishing Powder
- Dermacolor Camouflage Cream
- Dermacolor Fixing Powder
- Keromask Finishing Powder
- Keromask Masking Cream
- Veil Cover Cream
- Veil Finishing Powder

**VOMITING IN INFANCY**

- Instant Carobel
- Nestargel

**WHOLE PROTEIN SENSITIVITY**

for definition, see page 413

- Caprilon
- MCT Pepdite 1+
- Neocate
- Neocate Advance (unflavoured, banana vanilla flavour and strawberry vanilla flavour)
- Nutramigen 1
- Nutramigen 2
- Pepdite
- Pepdite 1+

---

**BORDERLINE SUBSTANCES**

---

**WHOLE PROTEIN SENSITIVITY**

Pepdite 1+ (Banana Flavour)  
Pepti - Junior  
Pregestimil  
Prejomin

**XEROSTOMIA**

A.S. Saliva Orthana  
Biotene Oralbalance Dry Mouth Saliva Replacement Gel  
Bioextra Moisturising Gel  
Glandosane  
Luborant Saliva Replacement  
Saliveze  
Salivix Pastilles

---

**BORDERLINE SUBSTANCES**

---

**LIST C**

---

**LIST C**

The products which have been considered by the ACBS and may not be prescribed on Form FP10, are now included in Part XVIII.

---

**NOTES ON CHARGES**


---



---

**NOTES ON CHARGES FOR DRUGS AND APPLIANCES PAYABLE UNDER REGULATIONS  
MADE UNDER SECTION 77(1) OF THE NATIONAL HEALTH SERVICE ACT 1977**


---

- (i) Information about the number of charges payable is in paragraph 11 - with examples of the application of the charging arrangements in paragraph 12.
- (ii) Where the arrangements or charge rates differ between England and Wales, provisions for England (ie set out in regulations made in England) apply to prescriptions dispensed by community pharmacists, appliance contractors and dispensing doctors in agreement with Primary Care Trusts (PCT) in England. Provisions for Wales (ie set out in regulations made in Wales) apply to prescriptions dispensed by community pharmacists, appliance contractors and dispensing doctors in agreement with Local Health Boards (LHB) in Wales. The cost of prescription prepayment certificates (PPCs) will apply in accordance with the normal address of the patient. Details are in paragraph 6.
- (iii) A PPC purchased from, or exemption certificate issued by, any PCT or LHB in the UK may be used in respect of prescriptions dispensed in any area in the UK.
- (iv) In the following paragraphs, where no separate provision for Wales is noted, the same provisions apply in England and Wales.

**1. CHARGES PAYABLE**

£6.50 (England) for each prescription item, preparation or type of appliance including each anklet, legging, knee-cap, below-knee, above knee or thigh stocking (In Wales £4.00). No charge is payable for Oxygen concentrators from 1 April 1992.

**2. PHARMACY AND APPLIANCE CONTRACTORS**

Unless a completed declaration of entitlement to exemption or remission (paragraphs 4 and 5) is made on the prescription form, a charge is payable for each drug or appliance supplied, including each piece of elastic hosiery.

In order to secure exemption of or remission from prescription charges when presenting a prescription form to a pharmacy, or appliance contractor, the patient, or a person on his behalf, must complete the declaration on the back of the prescription form. The regulations have now been changed to require them to do so.

Patients, or their representatives, are also required to sign the prescription form to declare that a charge has been paid. Charges are retained by the dispensing practitioner whose payment for provision of pharmaceutical services is adjusted accordingly.

**3. DISPENSING DOCTORS**

Unless a completed declaration of entitlement to exemption or remission (paragraphs 4 and 5) is made on the prescription form, the charges set out at (1) above are payable in respect of each item supplied by a dispensing doctor. In order to secure exemption or remission from prescription charges when presenting a prescription form to a dispensing doctor, the patient, or a person on his behalf, must complete the declaration on the back of the prescription form. The regulations have now been changed to require them to do so.

Patients, or their representatives, are also required to sign the prescription form to declare that a charge has been paid. Charges are retained by the dispensing practitioner whose payment for provision of pharmaceutical services is adjusted accordingly.

When an item dispensed by a dispensing doctor is delivered to a patient outside the surgery, every reasonable effort should be made to obtain a signed declaration from the patient that they have either paid the charge or are exempt.

However, there will be occasions when repeat prescriptions are delivered to points outside the surgery, or for example for collection from village shops to rural areas. Where a patient is exempt from charges and it is not practical for the patient to sign the form, a dispensing doctor or responsible member of the practice team should mark the reverse of the form as "remote delivery" and sign the form.

---

**NOTES ON CHARGES**

---

**4. PEOPLE ENTITLED TO EXEMPTION**

Provided that the appropriate declaration is received, a charge is not payable to the pharmacist, appliance contractor or dispensing doctor for drugs or appliances, including elastic hosiery, supplied for:

Children under 16;  
Students aged 16, 17 or 18 in full-time education;  
In Wales, persons under 25;  
Men and women aged 60 and over.

People holding exemption certificates, which are issued to:

Expectant mothers;  
Women who have borne a child or women who have given birth to a child registerable as stillborn under the Births and Deaths Registration Act 1953 in the last 12 months;  
People suffering from the following specified conditions -

- 4.1 Permanent fistula (including Caecostomy, Colostomy, Ileostomy or Laryngostomy) requiring continuous surgical dressing or an appliance.
- 4.2 Forms of hypoadrenalism (including Addison's disease) for which specific substitution therapy is essential.  
Diabetes insipidus and other forms of hypopituitarism  
Diabetes mellitus except where treatment is by diet alone  
Hypoparathyroidism  
Myasthenia gravis  
Myxoedema (Hypothyroidism)
- 4.3 Epilepsy requiring continuous anti-convulsive therapy.
- 4.4 A continuing physical disability which prevents the patient leaving his residence except with the help of another person (this does not mean a temporary disability even if it is likely to last a few months).

War pensioners holding a War Pension exemption certificate for prescriptions needed for treating their accepted disablement;

People who have purchased a prescription prepayment certificate (FP96) pay no further charges at the point of dispensing.

**5. NO PRESCRIPTION CHARGE EXEMPTION DECLARATION NEEDED FROM CERTAIN PATIENTS**

1. In England from 1 April 2005, and in Wales from 1 August 2005 certain patients exempt on age grounds (aged under 16 in England or under 25 in Wales, or aged 60 or over) will no longer be required to make a declaration of entitlement to claim exemption from prescription charges. (This means that certain patients will not have to complete any part of the exemption declaration i.e. will not have to fill in Part 1, 2, 3 or sign the declaration. In such cases pharmacists will not have to complete any part of the patient declaration.)

2. This easement applies only to patients (and representatives acting on behalf of patients) whose date of birth is automatically printed out on a hard copy paper prescription or inserted into an electronic prescription by an appropriate computer system that stores the patient's NHS care record. This easement also applies to repeat prescriptions (both electronic and paper) in the same way.

3. Those patients who are given an electronic prescription and who claim exemption from prescription charges on age grounds but whose date of birth is not held on the NHS care record will have to continue to make an exemption declaration. The same will also apply to those patients who are given hand written prescription forms where the date of birth is inserted manually.



---

**NOTES ON CHARGES**


---

**6. PEOPLE ENTITLED TO REMISSION**

People, and their partners, receiving income support or income based job seeker's allowance; People who receive pension credit guarantee entitle the partner who is under 60 (recipients are entitled on age grounds)

People and their partner getting tax credits who have tax credit with a disability or severe disability element or child tax credit with or without any rate of working tax credit; the relevant income for tax credit purposes is £15,050 or less; Patients must have a valid NHS exemption certificate.

New tax credit income limit starts from 6 April 2005. Tax credit exemption certificates are issued by the Prescription Pricing Authority on receipt of data from the Inland Revenue.

People and their partners who are named on an NHS Charges certificate HC2 because they are entitled to full help through the NHS Low Income Scheme.

- 6.1 Leaflet HC11 and the equivalent HC11W in Wales provides information for patients about help with health costs within the respective countries.

HC11 is on the Department of Health's website at [www.dh.gov.uk/helpwithhealthcosts](http://www.dh.gov.uk/helpwithhealthcosts). HC11W is also available at [www.wales.gov.uk/healthforms](http://www.wales.gov.uk/healthforms).

Leaflet HC12 and the equivalent HC12W in Wales provides information for patients about charges and optical voucher values within the respective countries.

HC12 is on the Department of Health's website at [www.dh.gov.uk/helpwithhealthcosts](http://www.dh.gov.uk/helpwithhealthcosts). HC12W is also available at [www.wales.gov.uk/healthforms](http://www.wales.gov.uk/healthforms).

Copies of both HC11 (HC11W in Wales) and HC12 (HC12W in Wales) should be made available to patients. They may be ordered free of charge from your PCT in England and requested from your LHB in Wales, or direct from:

In England

- Department of Health, PO Box 777, London, SE1 6XH, by letter;
- 01623 724 524 by fax;
- 08701 555 455 by telephone;
- [doh@prolog.uk.com](mailto:doh@prolog.uk.com) by email

In Wales

- Welsh Assembly Government, PO Box 2000, St. Helens, WA11 9XY by letter;
- 01942 271 717 by fax;
- 01623 724 233 by telephone;
- [welshassembly@prolog.uk.com](mailto:welshassembly@prolog.uk.com) by email

**7. PRESCRIPTION CHARGE REFUND PROCEDURE****Community Pharmacists to pay prescription charge refunds from 1 April 2005.**

1. New arrangements for paying prescription charge refunds have been agreed with the PSNC and CPW and are being introduced in England and Wales. Pharmacists will pay prescription charge refunds from 1 April 2005. The Post Office will stop paying refunds from that date. This notice replaces all previous notices/guidance about prescription refunds.

2. This guidance applies to refunds of prescription charges in England and Wales only. Patients enquiring about getting a refund paid in Scotland should call the following number

Scotland - 0131 275 6076

Or they can write to: Practitioner Services (Pharmacy Repayments), 1 South Gyle Crescent, Edinburgh, EH12 9EB, Scotland



---

**NOTES ON CHARGES**

---

**Revised form FP57 (WP57 in Wales)**

3. A new version of the FP57 (for issue in England) and WP57 (for issue in Wales) is currently being developed to reflect changes to the receipt and refund procedure. Until these are available, please continue to use the current FP57 and WP57 forms. Please note that when you do issue the form the patient must be told to return it to a community pharmacy in order to obtain a refund, (this should be noted on the form) and not to the Post Office. Once the new version is available, any orders for FP57 will be met by using the new stock only. As soon as you have supplies of the new form destroy any remaining FP57 0403 forms in a secure manner (e.g. by shredding, or in accordance with local policy for secure waste.) WP57 (0403 version) will continue to be used until stocks are exhausted.

**Security of forms**

4. Prescription refund and receipt forms are secure items and should not be left in locations where they may be accessed by the public. They should be locked away when not required. Only authorised staff may process prescription refunds. If a pad or a form disappears, or cannot be accounted for, report this urgently to the Primary Care Trust (in England) or Business Services Centre (in Wales). Pharmacists should be alert to the possibility of misuse of the forms.

**When to issue Prescription refund and receipt forms**

5. Only issue a prescription refund and receipt when the patient (or representative) requests this (but see paragraph 8 below) or is in genuine doubt about whether they might be exempt from prescription charges, or they have applied (or are thinking about applying) for a prescription charge exemption certificate or prepayment certificate.

6. When a patient (or representative) states they do not have to pay prescription charges because they are in an exempted group or hold a pre-payment certificate, they are not required to pay a charge simply because they do not have any evidence of entitlement. If they are prepared to sign to say they are exempt, they should complete and sign the declaration on the reverse of the prescription form. The "evidence not seen" box should be crossed, as per normal Point of Dispensing check procedures.

7. Only issue a prescription refund and receipt at the time the prescription charge is paid. Later requests may be an attempt to get a second form to obtain a double refund fraudulently. If the patient or their representative is persistent in their request and they have grounds why they do not have a prescription refund and receipt, they should be advised to write to Patient Services at the Prescription Pricing Authority, Sandyford House, Newcastle Upon Tyne, NE2 1DB or ring 0845 8501166, to explain why they were unable to obtain an FP57. The PPA will review the claim and will either send a payment directly to the patient or advise the patient why they do not qualify.

8. If a receipt is required by a carer or representative, for example to show that the charge was paid, a till receipt may be sufficient proof. Only if a refund may be required should the patient be issued with a prescription refund and receipt.

**Issuing prescription refund and receipt forms**

9. Part A must be fully completed by the dispenser or an authorised member of staff. There must be no alterations to the amounts or the quantities in Part A. If a mistake is made, then start again with a new form and cross through the discarded form in such a way that it cannot be used and write, "CANCELLED" diagonally across it. The dispenser can initial any other alterations elsewhere on the form. Any forms which have been discarded due to alterations or mistakes in Part A should be kept for audit purposes.

10. The dispenser's stamp and date of payment must be on the form with the patient's name and address, the rate of prescription charge paid per item, the number of charges paid and the total paid.

**Pharmacies processing forms for refunds**

11. Patients should preferably return the prescription refund and receipt form to the community pharmacy that issued it. However, if this is not possible they may take the form to the most convenient pharmacy (normally in the country where the charge was paid.)

12. Community pharmacists should accept the claim even if the form was issued by a hospital or other NHS organisation. If a dispensing doctor or appliance contractor has taken a payment and the patient requires a refund the dispensing doctor or appliance contractor must provide the patient with a prescription refund and receipt. The patient should go to a community pharmacy to obtain the refund.

13. Pharmacists in England and Wales may make refunds for prescription refund and receipt forms issued in England, Scotland or Wales. The paid form will be sent to the Prescription Pricing Authority (In England) or Powys LHB via the Business Services Centre local offices (In Wales) in the normal way.

---

**NOTES ON CHARGES**


---

14. When a patient presents a prescription refund and receipt form for payment, the pharmacist (or any member of staff who would normally collect a prescription charge) should check the following:

- serial number on the form to ensure it is in the same format as the forms held by that pharmacy;
- that there are no alterations to the amounts or quantities in Part A and the form appears genuine, eg there is no white border indicating that it is a "home produced" copy,

If the form is not in order the pharmacist should phone the CFSMS fraud line number 08702 400100 (In England) and CFS Wales on 01495 745844(In Wales).

If the form is in order, take the following steps:

- check that the claim is being made within three months of the date the charge was paid, or the patient has an authorised form (LIS04(P)) from Patient Services.
- Request evidence of entitlement to exemption or sight of form LIS04(P) authorising payment
- Check that the evidence relates to the patient
- Check that the evidence covers the date the charge was paid
- Note on the form what was produced, e.g. tax credit exemption certificate
- Note on the form the reference number on the exemption document (where applicable) eg 1234365
- Note on the form the LIS04(P) form reference number and date
- The person claiming the refund must print their name and address (i.e. the representative's details where appropriate)
- Pay the amount shown in Part A of the form
- Obtain signature of patient, or representative, and date for the cash
- Ensure that you, or the member of staff authorised to make refunds sign and print their name on the FP57/WP57 form.

**Time Limit for making claims**

15. A refund must be claimed within 3 months of the date on which the prescription charge was paid (e.g. if charge is paid 1 January, the refund must be claimed by 31 March). If more than 3 months have elapsed between the time the charge was paid and the prescription refund and receipt form is presented for payment, the refund may not be paid unless the patient has a form LIS04(P).

16. In the event of a late claim, patients will need to send the prescription refund and receipt form to Patient Services, Prescription Pricing Authority, Sandyford House, Newcastle Upon Tyne NE2 1DB and explain why they did not claim the refund within the 3 month time limit. Patient Services will review the claim and either authorise a refund by sending form LIS04(P) or advise the patient why they do not qualify.

**Old style forms**

17. You may be presented with the FP57/WP57 (0403) version of the form. If a patient does produce a 0403 form, the refund may be paid as long as either the form is presented within three months of the charge being paid, or the patient has an authorised form LIS04(P).

**XVI**

**8. PREPAYMENT CERTIFICATES (PPCs)**

From 1 October 2002, responsibility for issuing PPCs in England moved to the PPA. Application forms have been redesigned and an initial supply has been sent to all pharmacists and GPs.

PPCs will be available by telephone from 0845 850 0030 for patients who wish to use their credit or debit card. PPCs will continue to be available by post with payment by cheque or postal order. Credit and debit cards will also be accepted. PPCs may start up to one month earlier or one month later than the PPA receives the application.

Doctors and pharmacists could greatly assist any patient who makes frequent payments for prescriptions by drawing attention to the availability of PPCs. These certificates cost £93.20 (England) for one year or £33.90 (England) for four months. (In Wales, £57.46 for one year or £20.93 for four months.)

---

**NOTES ON CHARGES**


---

They are worthwhile for anyone requiring more than 14 prescription items in 12 months or 5 items in four months. For the convenience of patients, pharmacists are asked to hold PPC application forms FP95 (which are also available from PCTs) or WP95(Wales).

In Wales, patients may refer to their local Business Service Centre to obtain PPCs, the telephone numbers of which are as follows:

Cardiff 029 2040 2402  
 Carmarthen 01267 225 225  
 Flintshire 01352 700 227  
 Gwent 01495 765 065  
 Swansea 01792 458 066.

**9. BULK PRESCRIPTION**

Charges are not payable in respect of "bulk" prescriptions for schools or institutions supplied in accordance with the Regulations See Note 9, Part VIII (page 54).

**10. CONTRACEPTIVE SERVICES**

No charge is payable for contraceptive substances and listed contraceptive appliances for women prescribed on FP10 or any of its variants.

The great majority of family planning prescriptions will be for contraceptive devices (See Part IXA) spermicidal gels, creams, films, pessaries and aerosols; or those systemic drugs promoted as contraceptives which are listed below: prescriptions for those products will not be specially marked and a prescription charge should not be levied.

Prescriptions for other drugs - If the prescription is for contraceptive purposes the prescriber should mark the item with the symbol ♀ (or endorse the item in another way which makes it clear that the prescription is for contraceptive purposes) and a prescription charge should not be levied for any items so marked. In the absence of such an endorsement by the prescriber, the normal prescription charge will apply to that item.

Where a dispensing doctor paid on the Drug Tariff basis supplies for contraceptive purposes a drug which is not on the list he should mark the item with the symbol ♀ (or endorse the item in another way which makes it clear that the prescription is for contraceptive purposes) on the prescription form before it is submitted for pricing.

**List of Contraceptive Drugs to be Dispensed Free of Charge:**

Bi Novum	Mercilon
Brevinor	Microgynon 30
Cerazette	Microgynon 30 ED
Cilest	Microval
Depo-Provera 150mg/ml	Micronor
Evra	Mirena System
Femodene	Minulet
Femodene ED	Norgeston
Femodette	Noriday
Femulen	Norimin
Implanon	Norinyl-1
Levonelle 1500	Noristerat Injection
Levonelle-2	Ovranette
Levonelle One-Step	Ovysmen
Levonorgestrel Tablets 750 microgram	Synphase
Loestrin 20	Triadene
Loestrin 30	Tri-Minulet
Logynon	Trinordiol
Logynon ED	Trinovum
Marvelon	Yasmin
Medroxyprogesterone Acetate Injection (Aqueous Suspension) 150mg/5ml	

---

**NOTES ON CHARGES**


---

**11. NOTES ON THE NUMBER OF CHARGES PAYABLE**

## 11.1 SINGLE PRESCRIPTION CHARGE PAYABLE

Unless the patient claims exemption a single prescription charge is payable where:

- 11.1.1 The same drug or preparation is supplied in more than one container.
- 11.1.2 Different strengths of the same drug are ordered as separate prescriptions on the same prescription form (see also paragraph 12.4.2).
- 11.1.3 More than one appliance of the same type (other than hosiery\*) is supplied.
- 11.1.4 A set of parts making up a complete appliance is supplied.
- 11.1.5 Drugs are supplied in powder form with the solvent separate for subsequent admixing.
- 11.1.6 A drug is supplied with a dropper, throat brush, or vaginal applicator.
- 11.1.7 Several flavours of the same preparation are supplied.

More than one prescription charge is payable where:

## 11.2 MULTIPLE PRESCRIPTION CHARGES PAYABLE

- 11.2.1 Different drugs, types of dressing or appliances are supplied.
- 11.2.2 Different formulations or presentations of the same drug or preparation are prescribed (but see 12.4.2) and supplied.
- 11.2.3 Additional parts are supplied together with a complete set of apparatus or additional dressing(s) together with a dressing pack.
- 11.2.4 More than one piece of elastic hosiery\* is supplied.

\* (Anklet, legging, knee-cap, below-knee, above knee or thigh stocking).

**12. EXAMPLES OF APPLICATION OF PRESCRIPTION CHARGE ARRANGEMENTS****"NO CHARGE" ITEM**

The number of "no charge" items (ie items which are counted as prescriptions for pricing purposes but which do not carry a prescription charge) should be included on the invoice submitted with the prescription forms to the Pricing Authority.

		Professional Fees	Number of Prescription Charges	No Charge Prescriptions
<b>12.1 LIQUIDS</b>	Required by the prescriber to be supplied in more than one container. Certain preparations, if extemporaneously dispensed, may be subject to additional fees, (see Part IIIA paragraph 2).			
Ammonium Chloride	300ml x 3	1	1	-
Boric Acid Eye Lotion	100ml x 2	1	1	-
Chloramphenicol Ear Drops	10ml x 2	1	1	-
Ferric Chloride Gargle	200ml x 2	1	1	-
Hydrogen Peroxide Ear Drops	10ml x 3	1	1	-
Lead Lotion	200ml x 3	1	1	-
Sulphacetamide Sodium Eye Drops	10ml x 2	1	1	-

XVI

## NOTES ON CHARGES

		Professional Fees	Number of Prescription Charges	No Charge Prescriptions
<b>12.2 INJECTIONS</b>				
12.2.1	<b>Dispensed in powder form with solvent</b>			
	Amoxil Inj. Powder 500mg x 1	2	1	1
	Water for Injection 5ml x 1			
	Digoxin Amps 0.5mg x 10	2	1	1
	Normal Saline Amps 5ml x 10			
12.2.2	Influenza Vaccine (2 different strains in separate ampoules)	2	1	1
		Professional Fees	Number of Prescription Charges	No Charge Prescriptions
<b>12.3 TABLETS, CAPSULES, OINTMENTS, etc. - Different strengths of the same drug ordered as separate prescriptions at the same time</b>				
	Dithranol ½% in Lassar's Paste	3	1	2
	Dithranol 1% in Lassar's Paste			
	Dithranol 1½% in Lassar's Paste			
	Phenindione Tabs 50mg/one three times daily, 90	2	1	1
	Phenindione Tabs 10mg/one three times daily, 90			
	Phenindione Tabs 50mg/one in the morning, 30	2	1	1
	Phenindione Tabs 10mg/three at night, 90			
	Sulphacetamide Eye Drops 10%	2	1	1
	Sulphacetamide Eye Drops 30%			
		Professional Fees	Number of Prescription Charges	No Charge Prescriptions
<b>12.4 TABLETS, CAPSULES, etc.</b>				
12.4.1	<b>Different formulations or presentations of the same drug ordered as separate prescriptions</b>			
	Indocid Caps	2	2	-
	Indocid R Caps			
	Camcolit 250 Tabs	2	2	-
	Camcolit 400 Tabs sustained release			
	Bezalip Tabs 200mg	2	2	-
	Bezalip Mono Tabs			
	Prednisolone Tabs 1mg	2	2	-
	Prednisolone Tabs 2.5mg enteric coated			
	Trasicor Tabs	2	2	-
	Slow Trasicor Tabs			



## NOTES ON CHARGES

		Professional Fees	Number of Prescription Charges	No Charge Prescriptions
	Rehidrat Multipack	3	1	2
	Seroquel Starter Pack (4 day titration)	3	1	2
	Tridestra	3	2	1
	Trisequens	3	2	1
	Tritace Titration Pack	3	1	2
		Professional Fees	Number of Prescription Charges	No Charge Prescriptions
12.6	<b>MULTIPLES OF SAME APPLIANCE OF SAME OR DIFFERING SIZE</b>			
	Crepe Bandages 2 x 5cm	1	1	-
	Open-Wove Bandages 1 x 2.5cm	}	1	-
	1 x 5cm			
	1 x 7.5cm			
		Professional Fees	Number of Prescription Charges	No Charge Prescriptions
12.7	<b>SET OF APPLIANCES OR DRESSINGS</b>			
	Atomizer	1	1	-
	Douche	1	1	-
	Hypodermic Syringe	1	1	-
	Multiple Pack Dressing No.1	1	1	-
	Portable Urinal	1	1	-
	Suprapubic Belt	1	1	-
	Higginson's Enema Syringe	1	1	-
		Professional Fees	Number of Prescription Charges	No Charge Prescriptions
12.8	<b>SETS OF APPLIANCES ORDERED WITH EXTRA PARTS</b>			
	Hypodermic Syringes	}	2	-
	Hypodermic Needles			
	Multiple Pack Dressing No.2	}	2	-
	Absorbent Cotton 25g			
	Portable Urinal	}	2	-
	Spare Sheaths 2			
		Professional Fees	Number of Prescription Charges	No Charge Prescriptions
12.9	<b>DIFFERENT APPLIANCES</b>			
	Lint 25g	}	3	-
	Absorbent Cotton 25g			
	Gauze 90cm x 1m			



## NOTES ON CHARGES

	Professional Fees	Number of Prescription Charges	No Charge Prescriptions
<b>12.10 DRUGS ORDERED WITH DRUG TARIFF APPLIANCES</b>			
Ametop Gel 4% Dispensing Pack (12 tubes 1.5g Gel and 15 Opsite Flexigrid Dressings)	2	2	-
Intal Spincaps Spinhaler	2	2	-
<b>12.11 DRUGS PACKED WITH NON DRUG TARIFF APPLIANCES*</b> (including metered aerosols with refills)			
Betadine Vaginal Preparation:-			
Pessaries (with applicator)	1	1	-
V.C. Kit	1	1	-
Syntaris Nasal Spray	1	1	-
Verrugon Ointment (Composite Pack)	1	1	-
* (These appliances are being allowed because they are packed with drug/preparation).			
	Professional Fees	Number of Prescription Charges	No Charge Prescriptions
<b>12.12 ELASTIC HOSIERY</b>			
1 pr Knee-caps - One Way Stretch	1	2	-
1 pr Thigh Stockings - Class II	1	2	-
1 pr Spare Suspenders	1	1	-
1 Suspender Belt	1	1	-
	Professional Fees	Number of Prescription Charges	No Charge Prescriptions
<b>12.13 MISCELLANEOUS</b>			
12.13.1 Preparation supplied as separate parts for admixing as required for use Chlorhexidine 0.2% Aqueous Solution - 400ml Sodium Fluoride 2% Aqueous Solution - 400ml	2	1	1
12.13.2 Preparation having various flavours Dioralyte Natural Dioralyte Blackcurrant	2	1	1

## NOTES ON CHARGES

	Professional Fees	Number of Prescription Charges	No Charge Prescriptions
12.13.3 Different but related preparations			
Aminogran Food Supplement	1	1	-
Rite-Diet Gluten Free Flour	}	2	-
Rite-Diet Gluten Free Bread			
Migraleve Tabs, yellow	1	1	-
Migraleve Tabs, pink	1	1	-
Migraleve Tabs, yellow and pink	2	2	-
Triptafen-M Tabs	}	2	-
Triptafen Tabs			
12.13.4 Eye, Ear and Nasal Drops (supplied with dropper bottles, or with a separate dropper where appropriate) (See Part IV.Containers)	1	1	-
12.13.5 A drug in powder form together with a solvent in the same packs (Treatment Pack) (2 vials of powder and 2 vials of solvent)			
Actinac	2	1	1
12.13.6 Oxygen			
Oxygen Therapy Set with cylinder(s)	1	1	-
Oxygen Cylinders (See Part X, Home Oxygen Therapy Service)	1	1	-
12.13.7 Trusses			
Spring Truss Inguinal - Single	1	1	-
Elastic Band Truss Scrotal-Double	1	1	-
12.13.8 Vaginal Creams and Applicators*			
Ortho Creme	}	2	-
Vaginal Applicator - Type 1			
Sultrin (Triple Sulfa) Cream	}	2	1
Vaginal Applicator - Type 1			
Applicator Vaginal			
Type 1 (Ortho)	1	-	1
Type 2 (Durex)	1	-	1

\* (No attempt should be made to determine whether or not the applicator is required for use with a contraceptive)

## DENTAL PRESCRIBING

**List of Preparations approved by the Secretary of State for Health as respects England and the National Assembly for Wales as respects Wales which may be prescribed on form FP10(D) by Dentists for National Health Service patients**

Aciclovir Cream BP	Fluconazole Capsules 50mg DPF
Aciclovir Oral Suspension BP 200mg/5ml	Fluconazole Oral Suspension 50mg/5ml DPF
Aciclovir Tablets BP 200mg	
Amoxicillin Capsules BP	Hydrocortisone Cream BP 1%
Amoxicillin Oral Powder DPF	Hydrocortisone Oromucosal Tablets BP
Amoxicillin Oral Suspension BP (includes sugar-free formulation)	Hydrocortisone and Miconazole Cream DPF
Amphotericin Lozenges BP	Hydrocortisone and Miconazole Ointment DPF
Amphotericin Oral Suspension BP 100mg/ml	Hydrogen Peroxide Mouthwash BP
Ampicillin Capsules BP	
Ampicillin Oral Suspension BP	Ibuprofen Oral Suspension BP sugar free
Artificial Saliva DPF	Ibuprofen Tablets BP
Artificial Saliva Substitutes as listed below (to be prescribed only for indications approved by ACBS)	Lidocaine 5% Ointment DPF
# AS Saliva Orthana	
# Biotene Oralbalance	Menthol and Eucalyptus Inhalation BP 1980
# Bioxtra	Metronidazole Oral Suspension DPF
# Glandosane	Metronidazole Tablets BP
# Saliveze	Miconazole Oromucosal Gel BP 24mg/ml
# Salivix	Mouth-wash Solution - tablets DPF
Ascorbic Acid Tablets BP	
Aspirin Tablets Dispersible BP	Nitrazepam Tablets BP
Azithromycin Oral Suspension 200mg/5ml DPF	Nystatin Ointment BP
	Nystatin Oral Suspension BP (includes sugar-free formulation)
	Nystatin Pastilles BP 100,000 units
Benzylamine Mouthwash BP 0.15%	
Benzylamine Oromucosal Spray BP 0.15%	Oxytetracycline Tablets BP
Carbamazepine Tablets BP	*Paracetamol Oral Suspension BP (includes sugar-free formulation)
Carmellose Gelatin Paste DPF	Paracetamol Tablets BP
Cefalexin Capsules BP	Paracetamol Tablets Soluble BP
Cefalexin Oral Suspension BP	Penciclovir Cream DPF
Cefalexin Tablets BP	Pethidine Tablets BP
Cefradine Capsules BP	Phenoxymethylpenicillin Oral Solution BP
Cefradine Oral Solution DPF	Phenoxymethylpenicillin Tablets BP
Chlorhexidine Gluconate 1% Gel DPF	Promethazine Hydrochloride Tablets BP
Chlorhexidine Mouthwash BP 0.2% w/v	Promethazine Oral Solution BP
Chlorhexidine Oral Spray DPF	
Chlorphenamine Tablets BP	Sodium Chloride Mouthwash Compound BP
Choline Salicylate Dental Gel BP	Sodium Fluoride Oral Drops BP
Clindamycin Capsules BP	Sodium Fluoride Tablets BP
	Sodium Fusidate Ointment BP
Diazepam Oral Solution BP 2mg/5ml	
Diazepam Tablets BP	Temazepam Oral Solution BP
Diflunisal Tablets BP	Temazepam Tablets BP
Dihydrocodeine Tablets BP 30mg	Tetracycline Tablets BP
Doxycycline Capsules BP 100mg	Triamcinolone Dental Paste BP
Doxycycline Tablets 20mg DPF	
	Vitamin B Tablets Compound Strong BPC
Ephedrine Nasal Drops BP	
Erythromycin Ethyl Succinate Oral Suspension BP (includes sugar-free formulation)	
Erythromycin Ethyl Succinate Tablets BP	
Erythromycin Stearate Tablets BP	
Erythromycin Tablets BP	

# These products have Advisory Committee on Borderline Substances approval for patients suffering dry mouth as a result of having (or having undergone) radiotherapy or sicca syndrome.

\* The title covers strengths of 120mg/5ml and 250mg/5ml, it is therefore necessary to specify the strength required.

XVIIA

---

**DENTAL PRESCRIBING**

---

This Page is Intentionally Blank

---

**NURSE PRESCRIBING**


---

**Part XVIIIB(i)**

**List of preparations as determined by the Secretary of State for Health as respects England and the National Assembly for Wales as respects Wales which may be prescribed by District Nurse and Health Visitor prescribers on Form FP(10)P (Forms FP10 (CN) and FP10 (PN) in Wales) for NHS patients under Section 41(1)(d) of the National Health Service Act 1977.**

---

District Nurse and Health Visitor prescribers who have completed the necessary training may only prescribe items appearing in the nurse prescribers list set below.

**NURSE PRESCRIBERS' FORMULARY FOR DISTRICT NURSES AND HEALTH VISITORS**

See Also: Drug Tariff Part 1, 2, 3; Note 7 to Part IXA, B, C and Note 1 to Part IXR

Nurses are recommended to prescribe generically, except where this would not be clinically appropriate or where there is no approved generic name.

- 1 Only in quantities up to 100
- 2 Except pack sizes that are not to be prescribed under the NHS (See Part XVIII A)
- 3 Except for indications and doses that are POM
- 4 Notes for Nurse Prescribers in Family Planning Clinics - Where it is not appropriate for nurse prescribers in family planning clinics to prescribe contraceptive devices using Form FP10(P) (forms FP10(CN) and FP10(PN) in Wales), they may prescribe using the same system as doctors in the clinic.

**Medicinal Preparations**

Almond Oil Ear Drops BP  
 Arachis Oil Enema NPF  
<sup>1</sup> Aspirin Tablets Dispersible 300mg BP  
 Bisacodyl Suppositories BP (includes 5mg and 10mg strengths)  
 Bisacodyl Tablets BP  
 Cadexomer-Iodine Ointment NPF  
 Cadexomer-Iodine Paste NPF  
 Cadexomer-Iodine Powder NPF  
 Catheter Maintenance Solution Chlorhexidine NPF  
 Catheter Maintenance Solution Sodium Chloride NPF  
 Catheter Maintenance Solution 'Solution G' NPF  
 Catheter Maintenance Solution 'Solution R' NPF  
 Choline Salicylate Dental Gel BP  
 Clotrimazole Cream 1% BP  
 Co-danthramer Capsules NPF  
 Co-danthramer Capsules Strong NPF  
 Co-danthramer Oral Suspension NPF  
 Co-danthramer Oral Suspension Strong NPF  
 Co-danthrusate Capsules BP  
 Co-danthrusate Oral Suspension NPF  
 Crothamiton Cream BP  
 Crothamiton Lotion BP  
 Dimethicone barrier creams containing at least 10%  
 Docusate Capsules BP  
 Docusate Enema NPF  
 Docusate Enema Compound BP  
 Docusate Oral Solution BP  
 Docusate Oral Solution Paediatric BP

Econazole Cream 1% BP

Emollients as listed below:

Aqueous Cream BP  
 Arachis Oil BP  
 Cetraben  
 Decubal Clinic  
 Dermamist  
 Diprobace Cream  
 Diprobace Ointment  
 Doublebase  
 E45 Cream  
 Emulsifying Ointment BP  
 Epaderm (now included in Part IXA and therefore allowed as an appliance)  
 Gammaderm Cream  
 Hydromol Cream  
 Hydrous Ointment BP  
 Hydromol Ointment  
 Keri Therapeutic Lotion  
 LactiCare Lotion  
 Lipobase  
 Liquid and White Soft Paraffin Ointment NPF  
 Neutrogena Dermatological Cream  
 Oilatum Cream  
 Paraffin White Soft BP  
 Paraffin Yellow Soft BP  
 Ultrabase  
 Unguentum M  
 Zerobase Cream

Emollient Bath Additives as listed below:

Alpha Keri Bath Oil  
 Ashbourne Emollient Medicinal Bath Oil  
<sup>2</sup>Balneum

**XVIIIB**

## NURSE PRESCRIBING

Cetraben Emollient Bath Additive	Nicotinell TTS Patches
Dermalo Bath Emollient	Nystatin Oral Suspension BP
Diprobath	Nystatin Pastilles BP 100,000units
Hydromol Emollient	Olive Oil Ear Drops BP
Imuderm Bath Oil	Paracetamol Oral Suspension BP
Oilatum Emollient	(includes 120mg/5ml and 250mg/5ml strengths
Oilatum Fragrance Free	both of which are available as sugar-free
Oilatum Gel	formulations)
Folic Acid 400 microgram/5ml Oral Solution NPF	<sup>1</sup> Paracetamol Tablets BP
Folic Acid Tablets 400 micrograms BP	Paracetamol Tablets Soluble BP
Glycerol Suppositories BP	Permethrin Cream NPF
<sup>3</sup> Ibuprofen Oral Suspension BP	Phenothrin Alcoholic Lotion NPF
<sup>3</sup> Ibuprofen Tablets BP	Phenothrin Aqueous Lotion NPF
Ispaghula Husk Granules BP	Phosphate Suppositories NPF
Ispaghula Husk Granules Effervescent BP	Phosphates Enema BP
Ispaghula Husk Oral Powder BP	Piperazine and Senna Powder NPF
Lactulose Solution BP	Povidone-Iodine Solution BP
Lidocaine Gel/Lignocaine Gel BP	Senna Granules Standardised BP
Lidocaine Ointment/Lignocaine Ointment NPF	Senna Oral Solution NPF
Lidocaine and Chlorhexidine Gel/Lignocaine and	Senna Tablets BP
Chlorhexidine Gel BP	Senna and Ispaghula Granules NPF
Macrogol Oral Powder Compound NPF	Sodium Chloride Solution Sterile BP
Macrogol Oral Powder NPF	Sodium Citrate Compound Enema NPF
Magnesium Hydroxide Mixture BP	Sodium Picosulfate Capsules NPF
Magnesium Sulphate Paste BP	Sodium Picosulfate Elixir NPF
Malathion Alcoholic Lotions (containing at	Spermicidal Contraceptives as listed below:
least 0.5%)	Delfen Foam
Malathion Aqueous Lotions (containing at	Duragel Gel
least 0.5%)	Gynol II Jelly
Mebendazole Oral Suspension NPF	Ortho-Creme Cream
Mebendazole Tablets NPF	Orthoforms Pessaries
Methylcellulose Tablets BP	Sterculia Granules NPF
Miconazole Cream 2% BP	Sterculia and Frangula Granules NPF
Miconazole Oromucosal Gel BP 24mg/ml	Streptokinase and Streptodornase Topical
Mouthwash Solution-tablets NPF	Powder NPF
Nicotine Inhalation Cartridge for Oromucosal	Thymol Glycerin Compound BP 1988
Use NPF	Titanium Ointment BP
Nicotine Lozenge NPF	Water for Injection
Nicotine Medicated Chewing Gum NPF	Zinc Cream BP
Nicotine Nasal Spray NPF	Zinc Ointment BP
Nicotine Sublingual Tablets NPF	Zinc and Castor Oil Ointment BP
Nicotine Transdermal Patches NPF	Zinc Oxide and Dimeticone Spray NPF
Prescriber should specify brand and strength to be	Zinc Oxide Impregnated Medicated Stocking NPF
dispensed	Zinc Paste bandage, BP 1993
Releasing nicotine over 16 hours:	Zinc Paste and Calamine Bandage
Nicorette Patches	Zinc Paste, Calamine and Clioquinol Bandage BP
Releasing nicotine over 24 hours:	1993
Boots NRT Patches	Zinc Paste and Ichthammol Bandage BP 1993
NiQuitin CQ Patches	

**Appliances and Reagents (Including Wound Management Products)**

All Appliances and Reagents included in this list must comply with the description, specifications, sizes, packs and quantities as specified in the relevant entry in Part IX of the Drug Tariff

**Appliances** as listed in Part IXA (including Contraceptive Devices<sup>4</sup>)

**Incontinence Appliances** as listed in Part IXB

**Stoma Appliances and Associated Products** as listed in Part IXC

**Chemical Reagents**, as listed in Part IXR

**NURSE PRESCRIBING****Part XVIIIB(ii)**

**List of preparations as determined by the Secretary of State for Health as respects England and the National Assembly for Wales as respects Wales which may be prescribed by Extended Formulary Nurse Prescribers on Form FP(10)P (forms FP10(CN) and FP10(PN) in Wales) for NHS patients under Section 41(1)(d) of the National Health Service Act 1977.**

Independent nurse prescribers who have completed the necessary training and are authorised to prescribe from the Nurse Prescribers' Extended Formulary list may prescribe all General Sales List and Pharmacy medicines currently prescribable by GPs (except controlled drugs), together with a list of Prescription Only Medicines. In addition they may prescribe all items appearing in the Nurse Prescribing List Part XVIIIB(i).

Advice from the Committee on Safety of Medicines and the Medicines Commission is that Extended Formulary Nurse Prescribers should restrict their prescribing of both POMs and P/GSL medicines to treatment of the Medical conditions set out below. Nurses should not prescribe independently outside of these specified conditions.

The CSM advice is reinforced on the DH's nurse prescribing website ([www.doh.gov.uk/nurseprescribing](http://www.doh.gov.uk/nurseprescribing)) and in the DH Guide to Implementation of Independent Nurse Prescribing, which can be found on that website.

**Central Nervous System**

- Acute dystonias
- Acute severe pain after trauma
- Changing painful dressings
- Nausea and vomiting
- Prophylaxis and treatment of nausea and vomiting in the postoperative period
- Recurrent generalised tonic-clonic seizures

**Circulatory**

- Acute myocardial infarction
- Acute pulmonary oedema associated with cardiac failure
- Angina pectoris
- Fluid replacement and potassium replacement (hypovolaemia and dehydration)
- Haemorrhoids
- Phlebitis - superficial
- Plasma substitutes for patients with a low blood volume
- Thromboprophylaxis - defined as prophylaxis against venous thrombosis (including congestive heart failure, in bed-bound patients, and perioperatively) and for acute coronary syndrome
- Ventricular fibrillation or pulseless ventricular tachycardia

**Ear**

- Furuncle
- Otitis externa
- Otitis media
- Wax in ear

**Endocrine**

- Hyperglycaemia
- Hypoglycaemia

**Eye**

- Blepharitis
- Conjunctivitis - allergic
- Conjunctivitis - infective
- Corneal trauma
- Diagnostic use in ophthalmology
- Local anaesthetic for ophthalmic conditions
- Tear deficiency

**Gastrointestinal Conditions**

- Constipation
- Gastroenteritis
- Heartburn
- Infantile Colic
- Pre-surgery prophylaxis against acid aspiration
- Worms - threadworms

**XVIIIB**

---

**NURSE PRESCRIBING**


---

**Infections**

Emergency treatment of suspected meningococcal septicemia or meningococcal meningitis  
 Spreading cellulitis usually of a limb with a risk of, or an established, lymphangitis  
 Tetanus prophylaxis and treatment

**Immunisations**

Routine childhood and specific vaccinations

**Musculoskeletal**

Back pain - acute, uncomplicated  
 Neck pain - acute, uncomplicated  
 Pain and inflammation  
 Soft tissue injury  
 Sprains

**Oral Conditions**

Aphthous ulcer  
 Candidiasis - oral  
 Dental abscess  
 Dental infections  
 Gingivitis  
 Stomatitis

**Poisoning**

Poisoning

**Respiratory**

Acute attacks of asthma  
 Acute exacerbation of chronic bronchitis  
 Acute nasopharyngitis (coryza)  
 Acute reversible airways obstruction (acute severe asthma or acute exacerbation of chronic obstructive pulmonary disease)  
 Anaphylaxis  
 Conditions requiring oxygen supplementation (e.g. hypoxaemia)  
 Croup  
 Laryngitis  
 Pharyngitis  
 Rhinitis-allergic  
 Sinusitis-acute  
 Tonsillitis

**Skin**

Abrasions  
 Acne  
 Animal and human bites  
 Boil/carbuncle  
 Burn/scald  
 Candidiasis - skin  
 Chronic skin ulcer  
 Dermatitis - atopic  
 Dermatitis - contact  
 Dermatitis - seborrhoeic  
 Dermatophytosis of the skin (ringworm)  
 Herpes labialis  
 Impetigo  
 Insect bite/sting  
 Lacerations  
 Local anaesthetic for occasions when procedure requires it  
 Local anaesthetic for suturing of lacerations  
 Molluscum contagiosum  
 Nappy rash  
 Pediculosis (head lice)  
 Pruritus in chicken pox  
 Psoriasis  
 Scabies  
 Urticaria  
 Warts (including verrucas)



---

**NURSE PRESCRIBING**

---

**Substance Dependence**

- Acute alcohol withdrawal
- Smoking cessation

**Urinary system**

- Urinary tract infection (women) - lower, uncomplicated

**Female genital system**

- Bacterial vaginosis
- Candidiasis - vulvovaginal
- Contraception
- Dysmenorrhoea
- Emergency Contraception
- Laboratory confirmed uncomplicated genital Chlamydia infection (and the sexual partners of those patients)
- Menopausal vaginal atrophy
- Preconceptual counselling
- Trichomonas vaginalis infection (and the sexual partners of those patients)

**Male genital system**

- Balanitis

**Palliative Care**

- Anxiety
- Bowel colic
- Candidiasis - oral
- Confusion
- Constipation
- Convulsions and restlessness
- Cough
- Dry mouth
- Excessive respiratory secretions
- Fungating malodorous tumours
- Muscle spasm
- Nausea and vomiting
- Neuropathic pain in palliative care
- Pain control

*For the purposes of extended formulary nurse prescribing, this means the palliative care of patients with advanced, progressive illness*

---

**NURSE PRESCRIBING**


---

**NURSE PRESCRIBING EXTENDED FORMULARY**
**Items prescribable by independent nurse prescribers from the extended formulary**

1. All licensed P and GSL Medicines prescribable on the NHS for the specified list of medical conditions. This includes P and GSL preparations including the controlled drugs codeine phosphate and dihydrocodeine tartrate. The only other controlled drugs prescribable by nurses are set out below in the list of Prescription Only Medicines included in the Nurse Prescribers' Extended Formulary.\*
2. Prescription Only Medicines from the list below by the route or form specified\*  
See earlier for the list of those medical conditions for which nurses may prescribe independently. Nurses are recommended to prescribe generically, except where this would not be clinically appropriate or where there is no approved generic name.
3. Controlled Drugs

From 6 January 2006, changes to the Prescription Only Medicines Order and the Misuse of Drugs regulations will also enable Extended Formulary Nurse Prescribers to prescribe independently additional Controlled Drugs, solely for the medical conditions indicated below.

**diamorphine, morphine or oxycodone** for use in palliative care;  
**buprenorphine or fentanyl** for transdermal use in palliative care;  
**diamorphine or morphine** for pain relief in respect of suspected myocardial infarction, or for relief of acute or severe pain after trauma including in either case post-operative pain relief;  
**chlordiazepoxide hydrochloride** or **diazepam** for treatment of initial or acute withdrawal symptoms caused by the withdrawal of alcohol from persons habituated to it.

The Misuse of Drugs regulations also allow all details on prescriptions for controlled drugs except the signature to be computer-generated

**LIST OF PRESCRIPTION ONLY MEDICINES FOR PRESCRIBING BY EXTENDED FORMULARY NURSE PRESCRIBERS ORAL ANTIBIOTICS MARKED # - SEE SEPARATE LIST BELOW FOR INDICATIONS**
**Notes for Extended Formulary Nurse Prescribers**

- 1 Notes for Nurse Prescribers in Family Planning Clinics - Where it is not appropriate for nurse prescribers in family planning clinics to prescribe contraceptive drugs using Form FP10(P) (forms FP10(CN) and FP10(PN) in Wales), they may prescribe using the same system as doctors in the clinic.
- 2 Centrally supplied vaccine excluded from reimbursement via prescription route.
- 3 High Volume Personally Administered Vaccine. Claims for these vaccines should be ordered on Form FP34D (Appendix)

<i>Drug</i>	<i>Route of administration, use or pharmaceutical form</i>
Acetylcysteine	Parenteral
Aciclovir	External
Acrivastine	Oral
Adapalene	External
Adrenaline	Parenteral
Alclometasone dipropionate	External
Alimemazine tartrate (trimeprazine tartrate)	Oral
Alteplase	Parenteral
Amiodarone	Parenteral
Amitriptyline hydrochloride	Palliative care - oral
Amorolfine hydrochloride	External
Amoxicillin trihydrate#	Oral
Aspirin	Oral
Azelaic acid	External
Azelastine hydrochloride	Ophthalmic, nasal
Azithromycin dihydrate #	Oral

## NURSE PRESCRIBING

<i>Drug</i>	<i>Route of administration, use or pharmaceutical form</i>
Baclofen	Palliative care - oral
Beclometasone dipropionate	External, nasal, inhalation
Bemiparin sodium	Parenteral
Benzatropine mesilate	Parenteral
Benzylpenicillin sodium	Parenteral
Betamethasone sodium phosphate	Aural, nasal
Betamethasone valerate	External, rectal
Budesonide	Nasal, inhalation
Calcipotriol	External
Calcitriol	External
Carbamazepine	Palliative care - oral, rectal
Carbaryl	External
Carbenoxolone sodium	Mouthwash
Cefotaxime sodium	Parenteral
Ceftriaxone sodium	Parenteral
Certoparin sodium	Parenteral
Cetirizine hydrochloride	Oral
Chloramphenicol	Ophthalmic
Chlorphenamine maleate	Parenteral
Cimetidine	Oral and parenteral
Cinchocaine hydrochloride	Rectal
Clavulanic acid (as Potassium clavulanate)	Oral
Clindamycin phosphate	External, vaginal
Clobetasone butyrate	External
Clotrimazole	External
Codeine phosphate	Oral
Conjugated oestrogens (equine)	External
Co-phenotrope	Oral
Cyclizine hydrochloride	Oral
Cyclizine lactate	Parenteral
Dalteparin sodium	Parenteral
Dantrolene sodium	Palliative care - oral
Dantron	Oral
<sup>1</sup> Desogestrel	Oral
Desoximetasone (Desoxymethasone)	External
Dexamethasone	Aural
Dexamethasone isonicotinate	Nasal
Dexamethasone sodium phosphate	Oral
Dextran 70	Parenteral
Diazepam	Oral, parenteral and rectal
Diclofenac diethylammonium	External
Diclofenac potassium	Oral
Diclofenac sodium	Oral, rectal, ophthalmic
Dihydrocodeine tartrate	Oral
Dolasetron mesilate	Oral and parenteral
Domperidone	Oral and rectal
Domperidone maleate	Oral
Doxycycline hyclate#	Oral
Doxycycline monohydrate#	Oral
Econazole nitrate	Vaginal, external
Emedastine	Ophthalmic
Enoxaparin	Parenteral
Erythromycin #	External, oral
Erythromycin ethylsuccinate #	Oral
Erythromycin stearate #	Oral

XVIIIB

## NURSE PRESCRIBING

<i>Drug</i>	<i>Route of administration, use or pharmaceutical form</i>
Estradiol	External
Estriol	External
<sup>1</sup> Ethinylestradiol	Oral
Etonogestrel	Implant
<sup>1</sup> Ethinodiol diacetate (ethynodiol diacetate)	Oral
Famotidine	Oral
Felbinac	External
Fenticonazole nitrate	Vaginal
Fexofenadine hydrochloride	Oral
Flucloxacillin magnesium #	Oral
Flucloxacillin sodium #	Oral, parenteral
Fluconazole	Oral
Fludrocortide (Flurandrenolone)	External
Flumazenil	Parenteral
Flumetasone pivalate	Aural
Flunisolide	Nasal
Fluocinolone acetonide	External
Fluocinonide	External
Fluocortolone hexanoate	External, rectal
Fluocortolone pivalate	External, rectal
Flurbiprofen	Lozenges
Fluticasone propionate	External, nasal
Furosemide	Oral and parenteral
Fusidic acid	External
Gabapentin	Palliative care - oral
Gelatin 3.5 - 4%	Parenteral
Gentamicin Sulphate	Aural
<sup>1</sup> Gestodene	Oral
Glucagon hydrochloride	Parenteral
Glucose	Parenteral
Glucose 5%	Parenteral
Glucose 5% with potassium (K <sup>+</sup> 40mmol/L) ready made infusion bag	Parenteral
Granisetron hydrochloride	Parenteral
Heparin sodium	Parenteral for the purpose of cannulae flushing
Hexastarch	Parenteral
Human soluble insulin	Parenteral
Hydrocortisone	External including rectal
Hydrocortisone acetate	External including rectal, aural
Hydrocortisone butyrate	External
Hydrocortisone sodium succinate	Lozenges, parenteral
Hyoscine	Palliative care - transdermal
Hyoscine butylbromide	Palliative care - parenteral
Hyoscine hydrobromide	Palliative care - oral, parenteral
Hydroxyethyl starch	Parenteral
Ibuprofen	External, oral
Ibuprofen lysine	Oral
Imipramine hydrochloride	Palliative care - oral
Ipratropium bromide	Nasal, inhalation
Isotretinoin	External
Ketoconazole	External
Ketoprofen	External
Levocabastine hydrochloride	Nasal and ophthalmic
Levomepromazine	Oral and parenteral

## NURSE PRESCRIBING

<i>Drug</i>	<i>Route of administration, use or pharmaceutical form</i>
<sup>1</sup> Levonorgestrel	Oral
Lidocaine hydrochloride	External, parenteral
Lithium succinate	External
Lodoxamide trometamol	Ophthalmic
Loperamide hydrochloride	Oral
Loratadine	Oral
Lorazepam	Oral and parenteral
Lymecycline#	Oral
Mebendazole	Oral
<sup>1</sup> Medroxyprogesterone acetate	Injection
<sup>1</sup> Mestranol	Oral
Metoclopramide hydrochloride	Oral and parenteral
Metronidazole#	Oral, external, vaginal, rectal
Metronidazole benzoate#	Oral
Miconazole	Dental lacquer
Miconazole nitrate	Vaginal, external
Midazolam	Parenteral
Minocycline hydrochloride#	Oral
Mizolastine	Oral
Mometasone furoate	External, nasal
Naloxone	Parenteral
Nedocromil sodium	Ophthalmic
Nefopam hydrochloride	Oral
Neomycin sulphate	Aural
Neomycin undecanoate	Aural
Nitrofurantoin#	Oral
Nizatidine	Oral
<sup>1</sup> Norethisterone	Oral
<sup>1</sup> Norethisterone acetate	Oral
<sup>1</sup> Norethisterone enanthate	Parenteral
<sup>1</sup> Norgestimate	Oral
<sup>1</sup> Norgestrel	Oral
Nortriptyline hydrochloride	Palliative care - oral
Nystatin	External, local mouth treatment, vaginal
Omeprazole	Oral
Omeprazole sodium	Parenteral
Ondansetron hydrochloride	Oral and parenteral
Oxybuprocaine hydrochloride	Ophthalmic
Oxytetracycline dihydrate #	Oral
Paracetamol	Oral
Penciclovir	External
Pentastarch	Parenteral
Piroxicam	External
Prednisolone	Oral
Prednisolone hexanoate	Rectal
Prednisolone sodium phosphate	Aural, Oral
Prilocaine	External and parenteral
Prochlorperazine mesilate	Oral and rectal
Prochlorperazine maleate	Oral, rectal and buccal
Proxymetacaine hydrochloride	Ophthalmic
Ranitidine hydrochloride	Oral, parenteral
Reteplase	Parenteral
Salbutamol sulphate	Inhalation

## NURSE PRESCRIBING

<i>Drug</i>	<i>Route of administration, use or pharmaceutical form</i>
Silver sulfadiazine	External
Sodium chloride 0.9%	Parenteral, for reconstitution of injections and for the purpose of cannulae flushing
Sodium chloride 0.9% & glucose 5% ready made infusion bag	Parenteral
Sodium chloride 0.45% & glucose 5% ready made infusion bag	Parenteral
Sodium chloride 0.9% with potassium (K <sup>+</sup> 40mmol/L) ready made infusion bag	Parenteral
Sodium chloride 0.45% & glucose 5% with potassium 20mmol per 500ml ready made infusion bag	Parenteral
Sodium cromoglicate	Ophthalmic
Sodium fusidate	External
Streptodornase	External
Streptokinase	External, parenteral
Sulconazole nitrate	External
Tacalcitol	External
Tenecteplase	Parenteral
Terbinafine hydrochloride	External
Terbutaline sulphate	Inhalation
Tetanus immunoglobulin	Parenteral
Tetracaine	External
Tetracycline hydrochloride #	Oral, external
Tinzaparin sodium	Parenteral
Tretinoin	External
Triamcinolone acetoneide	Nasal, aural, oral paste, external
Trimethoprim#	Oral
Tropicamide	Ophthalmic
Tropisetron hydrochloride	Parenteral
<sup>2</sup> Tuberculin PPD	Injection
Unfractionated heparin	Parenteral
<sup>2</sup> Vaccine, Adsorbed Diphtheria	Injection
<sup>2</sup> Vaccine, Adsorbed Diphtheria and Tetanus	Injection
<sup>2</sup> Vaccine, Adsorbed Diphtheria and Tetanus For Adults And Adolescents	Injection
<sup>2</sup> Vaccine, Adsorbed Diphtheria for Adults And Adolescents	Injection
<sup>2</sup> Vaccine, Adsorbed Diphtheria, Tetanus And Pertussis	Injection
<sup>2</sup> Vaccine, Adsorbed Diphtheria, Tetanus Toxoid and Pertussis (Acellular Component)	Injection
<sup>2</sup> Vaccine, BCG	Injection
<sup>2</sup> Vaccine, BCG Percutaneous	Injection
Vaccine, Combined tetanus, diphtheria, acellular pertussis, inactivated poliomyelitis and haemophilus influenza type B	Parenteral
<sup>2</sup> Vaccine, Haemophilus Influenzae Type B (Hib)	Injection
<sup>2</sup> Vaccine, Haemophilus Influenzae Type B (Hib) with Diphtheria, Tetanus and Pertussis	Injection
<sup>2</sup> Vaccine, Haemophilus Influenzae Type B (Hib) Diphtheria, Tetanus and Acellular Pertussis	Injection
<sup>3</sup> Vaccine, Hepatitis A	Injection
<sup>3</sup> Vaccine, Hepatitis A with Typhoid	Injection

## NURSE PRESCRIBING

<i>Drug</i>	<i>Route of administration, use or pharmaceutical form</i>
<sup>3</sup> Vaccine, Hepatitis A, Inactivated, with Recombinant (DNA) Hepatitis B	Injection
<sup>3</sup> Vaccine, Hepatitis B	Injection
Vaccine, Inactivated Poliomyelitis	Parenteral
<sup>3</sup> Vaccine, Influenza	Injection
<sup>2</sup> Vaccine, Live Measles, Mumps and Rubella (MMR)	Injection
<sup>2</sup> Vaccine, Meningococcal Group C Conjugate	Injection
<sup>2</sup> or <sup>3</sup> Vaccine, Meningococcal Polysaccharide A and C	Injection
Vaccine, Meningococcal polysaccharide A,C, W135 and Y	Parenteral
<sup>3</sup> Vaccine, Pneumococcal	Injection
<sup>2</sup> Vaccine, Poliomyelitis, Live (Oral)	Oral
<sup>2</sup> Vaccine, Rubella, Live	Injection
<sup>3</sup> Vaccine, Tetanus, Adsorbed	Injection
Vaccine, Typhoid, Live Attenuated (Oral)	Oral
<sup>3</sup> Vaccine, Typhoid, Polysaccharide	Injection
Water for Injection	Parenteral

**# Oral antibiotics and indications considered suitable for nurse prescribing**

<i>Drug</i>	<i>Indication</i>
Amoxicillin trihydrate	Lower UTI (women), animal and human bites, acute exacerbation of chronic bronchitis, dental infections
Azithromycin dihydrate	Laboratory confirmed uncomplicated genital chlamydial infection, plus sexual partners of those patients
Doxycycline hyclate	Acne, animal and human bites, laboratory confirmed uncomplicated genital chlamydial infection, plus sexual partners of those patients
Doxycycline monohydrate	Acne, animal and human bites, laboratory confirmed uncomplicated genital chlamydial infection, plus sexual partners of those patients
Erythromycin	Impetigo, animal and human bites, laboratory confirmed uncomplicated genital chlamydial infection, plus sexual partners of those patients, spreading cellulitis usually of a limb with a risk of, or an established lymphangitis, dental infections
Erythromycin ethyl succinate	impetigo, animal and human bites, laboratory confirmed uncomplicated genital chlamydial infection, plus sexual partners of those patients, spreading cellulitis usually of a limb with a risk of, or an established lymphangitis, dental infections
Erythromycin stearate	Impetigo, animal and human bites, laboratory confirmed uncomplicated genital chlamydial infection, plus sexual partners of those patients, spreading cellulitis usually of a limb with a risk of, or an established lymphangitis, dental infections
Flucloxacillin magnesium	Impetigo, spreading cellulitis usually of a limb with a risk of, or an established lymphangitis
Flucloxacillin sodium	Impetigo, spreading cellulitis usually of a limb with a risk of, or an established lymphangitis
Lymecycline	Acne
Metronidazole	Animal and human bites; fungating malodorous tumours; bacterial vaginosis; trichomonas vaginalis infection plus sexual partners of those patients, dental infections

XVIIIB

---

**NURSE PRESCRIBING**

---

Metronidazole benzoate	Animal and human bites, dental infections
Minocycline hydrochloride	Acne
Nitrofurantoin	Lower UTI (women)
Oxytetracycline dihydrate	Acne, animal and human bites, acute exacerbation of chronic bronchitis
Tetracycline hydrochloride	Acne
Trimethoprim	Lower UTI (women)

**Supplementary Prescribing - Controlled Drugs**

Following amendments to the Home Office Misuse of Drugs regulations and NHS regulations in March and April 2005, Controlled Drugs are now prescribable by nurse and pharmacist supplementary prescribers working in partnership with a doctor, according to a patient's Clinical Management Plan.



## NATIONAL OUT-OF-HOURS FORMULARY

## THE FORMULARY CORE DRUG LIST

The following National Out-of-Hours Core Formulary contains the *minimum* list of drugs that patients should be able to access. Exact mechanisms for the provision of these drugs should be decided locally, taking into account existing treatment protocols. **(England only. At the time of going to press the National Assembly for Wales had not adopted the formulary)**

Guidance and information on template PGDs can be found on the website: <http://www.pgd.nhs.uk/>

Drug	Comment	Oral			
		Child	Adult	Injectable	Other
<b>ANALGESIA</b>					
<b>Codeine or equivalent</b>	Oral formulations to be supplied as a full course to appropriately treat the presenting condition. Codeine preferred as it has a dual role for pain relief and diarrhoea.		Y		
<b>Diamorphine</b>	Diamorphine is preferred for its use in both cardiac pain and palliative care.			Y	
<b>Non Steroidal Anti-Inflammatory Drug (NSAID)</b>	Oral formulations to be supplied as a full course to appropriately treat the presenting condition. The exact preparation(s) should be decided after local negotiation. Intramuscular injection of a NSAID may avoid the need for controlled drug use.	Y	Y	Y	
<b>Paracetamol</b>	Supply as a full course to appropriately treat the presenting condition.	Y	Y		
<b>ASTHMA</b>					
<b>Inhaled Ipratropium</b>	Supply as a full course to appropriately treat the presenting condition.				Y
<b>Inhaled Salbutamol or equivalent</b>	Supply as a full course to appropriately treat the presenting condition.				Y
<b>Prednisolone</b>	Oral formulations to be supplied as a full course to appropriately treat the presenting condition. Soluble tablets may be preferable for dual use in children and adults.	Y	Y		
<b>Spacer Device</b>	Or nebuliser device.				Y
<b>CARDIAC EMERGENCIES</b>					
<b>Adrenaline/Epinephrine</b>	Strength/formulation suitable for treatment of cardiac arrest.			Y	
<b>Aspirin</b>	For use in all patients with suspected Myocardial Infarction unless contraindicated or already taken.		Y		
<b>Atropine</b>	For use in cardiac emergencies.			Y	
<b>Diamorphine</b>				Y	

XVIIIC

## NATIONAL OUT-OF-HOURS FORMULARY

Drug	Comment	Oral			
		Child	Adult	Injectable	Other
<b>Furosemide</b>	Supply as a full course to appropriately treat the presenting condition. Full course of oral tablets is expected to be 7 days maximum.		Y	Y	
<b>Glyceryl Trinitrate Sub-lingual</b>	Supply as a full course to appropriately treat the presenting condition.		Y		
<b>ALLERGY/ANAPHYLAXIS</b>					
<b>Adrenaline/Epinephrine</b>	Strength/formulation suitable for treatment of anaphylaxis.			Y	
<b>Hydrocortisone</b>	Hydrocortisone sodium succinate can be used for anaphylaxis, asthma and hypoadrenalism.			Y	
<b>Chlorphenamine</b>	Supply as a full course to appropriately treat the presenting condition.	Y	Y	Y	
<b>Non-Sedating Antihistamine</b>	Supply as a full course to appropriately treat the presenting condition. Choice of preparation to be decided locally.		Y		
<b>DIABETIC EMERGENCIES</b>					
<b>Glucagon Injection</b>	Current recommendation is for both Glucose IV and Glucagon to be carried. Children may not respond to Glucagon so are more likely to need glucose. Patients not responding should be admitted.			Y	
<b>Glucose</b>				Y	
<b>OPIOID OVERDOSE</b>					
<b>Naloxone</b>	Any patient with an opioid overdose should be admitted to hospital, as repeated doses may be required.			Y	
<b>GASTROINTESTINAL</b>					
<b>Antacid</b>	Supply as a full course to appropriately treat the presenting condition taking into account manufacturers' pack sizes.		Y		
<b>Domperidone</b>	Supply as a full course to appropriately treat the presenting condition (see also metoclopramide).		Y		
<b>Glycerol Suppositories</b>	Included for immediate symptom relief (may be suitable for use by other healthcare professionals).				Y
<b>Anti-Spasmotic Agent</b>	Supply as a full course to appropriately treat the presenting condition.		Y		
<b>Loperamide</b>	Supply as a full course to appropriately treat the presenting condition.		Y		
<b>Metoclopramide</b>	Included as there is no parenteral formulation of domperidone			Y	
<b>Oral Rehydration Sachets</b>	Supply as a full course to appropriately treat the presenting condition.	Y			

## NATIONAL OUT-OF-HOURS FORMULARY

Drug	Comment	Oral			
		Child	Adult	Injectable	Other
<b>Phosphate Enema</b>	Included for immediate symptom relief (may be suitable for use by other healthcare professionals).				Y
<b>Prochlorperazine</b>	Oral formulations to be supplied as a full course to appropriately treat the presenting condition.		Y	Y	Y
<b>PSYCHIATRIC EMERGENCIES/CNS</b>					
<b>Diazepam</b>	Supply as a full course to appropriately treat the presenting condition. Course length to be decided locally taking into account local policies and guidelines. Small quantities may be more appropriate. An appropriate rectal formulation to be included.	Y	Y	Y	Y
<b>Haloperidol</b>	Supply as a full course to appropriately treat the presenting condition. May also be used for treatment of severe nausea and vomiting.		Y	Y	
<b>Prochlorperazine</b>	Supply as a full course to appropriately treat the presenting condition.		Y	Y	
<b>OBSTETRIC AND GYNAECOLOGY</b>					
<b>Levonorgestrel 750</b>	Full course to be supplied - included as current evidence suggests early treatment is appropriate.		Y		
<b>Syntometrine Injection</b>	Rarely used but essential to have available for intra or post partum obstetric emergencies. Special storage arrangements may be necessary.			Y	
<b>PALLIATIVE CARE DRUGS</b>					
<b>Diamorphine</b>				Y	
<b>Cyclizine</b>				Y	
<b>Dexamethasone</b>	It is expected that these drugs would be part of a special tamper proof palliative care pack that would be locally available. Local discussions will be necessary to determine appropriate access. The quantities supplied should be enough to allow appropriate symptom relief until formal review by palliative care team or General Practitioner.		Y		
<b>Hyoscine Butylbromide</b>				Y	
<b>Ketorolac/Diclofenac</b>				Y	
<b>Methotrimeprazine/ Levomepromazine</b>				Y	
<b>Midazolam</b>				Y	
					Y

XVIII

## NATIONAL OUT-OF-HOURS FORMULARY

Drug	Comment	Oral			
		Child	Adult	Injectable	Other
<b>LOCAL ANTIBIOTIC CHOICE</b>					
Following local discussion, antibiotics should be made available to appropriately treat the conditions listed below. Choice of preparation(s) should take into account local resistance patterns.					
<b>Cellulitis and other skin infections</b>	Supply as a full course to appropriately treat the presenting condition. Choice of preparation(s) should be made after local discussion taking into account local resistance patterns.	Y	Y		
<b>Respiratory infections</b>		Y	Y		
<b>Upper respiratory tract infections</b>		Y	Y		
<b>Urinary tract infections</b>		Y	Y		
<b>INFECTION</b>					
<b>Bacterial conjunctivitis</b>	Supply as a full course to appropriately treat the presenting condition. Choice of preparation(s) should be made after local discussion taking into account local resistance patterns.				Y
<b>Candidiasis (Topical)</b>	Included for immediate symptom relief.				Y
<b>Herpes Zoster</b>	Supply as a full course to appropriately treat the presenting condition. Choice of preparation to be decided locally. Included as current evidence suggest early treatment is appropriate.		Y		
<b>Benzylpenicillin</b>	For immediate treatment of meningococcal meningitis or septicaemia. Patients with suspected meningitis should be transferred to hospital urgently.			Y	
<b>MISCELLANEOUS</b>					
<b>Sodium chloride for injection/ infusion</b>	Also to include IV giving set and canula			Y	
<b>Water for injection</b>	For dissolving injectable drugs.			Y	
<b>Blood glucose testing sticks</b>	Use where <b>diagnosis</b> cannot safely wait e.g. to identify patients who have urgent treatment needs or who should be admitted to hospital.				Y
<b>Urine testing sticks</b>	Use where <b>diagnosis</b> cannot safely wait e.g. to identify patients who have urgent treatment needs or who should be admitted to hospital.				Y
<b>DRUGS WHERE SPECIAL ARRANGEMENTS MAY BE APPROPRIATE</b>					
<b>Oxygen</b>	It may be appropriate for some organisations to keep a supply of oxygen. Alternatively, local discussion and specific arrangements will need to be made for the delivery of oxygen.				

**DRUGS AND OTHER SUBSTANCES NOT TO BE PRESCRIBED UNDER THE NHS  
PHARMACEUTICAL SERVICES**

Part XVIII A reproduces Schedule 1 to the National Health Service (General Medical Services Contracts) (Prescription of Drugs etc.) Regulations 2004.

10.10 Cleaning and Disinfecting Solution	Alka-Seltzer Tablets
10.10 Rinsing and Neutralising Solution	Alket Powders
10 Day Slimmer Tablets	All Clear Shampoo
10 Hour Capsules	All Fours Cough Mixture (Harwood)
4711 Cologne	All Fours Mixture (Glynwed Wholesale Chemists)
Abidec Capsules	All Fours Mixture (Roberts Laboratories)
Acarosan Foam	Allbee with C Capsules
Acarosan Moist Powder	Allbee with C Elixir
Acclaim Flea Control Aerosol Plus	Aller-eze Plus Tablets
Acnaveen Bar	Aller-eze Tablets
Acne Aid Bar	Allinson's Wholemeal Flour
Actal Suspension	Almasilate Tablets 500 mg
Actal Tablets	Almay Aftersun Soother
Actifed Compound Linctus	Almay Face Powder
Actifed Cough Relief	Almay Sun Protection Cream SPF 12
Actifed Expectorant	Almay Ultra Protection Lotion SPF 12
Actifed Linctus with Codeine	Almazine Tablets 1mg
Actifed Syrup	Almazine Tablets 2.5 mg
Actifed Tablets	Aloin Tablets 40 mg
Actomite	Alophen Pills
Actonorm Gel	Alpine Tea
Actonorm Powder	Alprazolam Tablets 0.25mg
Actonorm Tablets	Alprazolam Tablets 0.5mg
Actron Tablets	Alprazolam Tablets 1 mg
Adpack Europe Gamolenic Acid (GLA) Capsules	Altacaps
Adreno-Lyph Plus Tablets	Altacite Plus Tablets
Adult Cough Balsam (Cupal)	Altacite Suspension
Adult Meltus Cough & Catarrh Linctus	Altacite Tablets
Adult Tonic Mixture (Thornton & Ross)	Altelave Liquid
Advanced Nutrition Bee Pollen Granules	Aludrox Gel
Advanced Nutrition Bee Propolis Tablets	Aludrox Liquid
Advanced Nutrition Chromium Compound Liquid	Aludrox M H Suspension
Advanced Nutrition Ener-B NSL Gel	Aludrox S A Suspension
Advanced Nutrition Herbal Aloe Juice	Aludrox Tablets
Advanced Nutrition L-Arginine Capsules	Aluhyde Tablets
Advanced Nutrition Linseed Oil	Aluminium Hydroxide & Silicone Suspension
Advanced Nutrition Silica-Organic Capsules	Aluminium Phosphate Gel
Advanced Nutrition Sulphur Capsules	Aluminium Phosphate Tablets 400 mg
Advanced Nutrition Vitamin E Capsules	Alupent Expectorant Mixture
Aerocide 2 Spray 400ml	Alupent Expectorant Tablets
Afrazine Nasal Drops	Aluphos Gel
Afrazine Nasal Spray	Aluphos Tablets
Afrazine Paediatric Nasal Drops	Alupram Tablets 2 mg
Agarol Emulsion	Alupram Tablets 5 mg
Agiolax Granules	Alupram Tablets 10 mg
Airbal Breathe Easy Vapour Inhaler	Aluzyme Tablets
AL Tablets	Alzed Tablets
Alagbin Tablets	Ambre Solaire Cream Factor 8
Alcin Tablets	Ambre Solaire Cream Factor 10
Alcon Salette Aerosol Saline Solution	Ambre Solaire High Protection Cream SPF10
Aletres Cordial (Potters)	Ambre Solaire High Protection Milk SPF 12
Alexitol Sodium Suspension 360 mg/5 ml	American Nutrition Strezz B-Vite Tablets
Alexitol Sodium Tablets	Ami - 10 Rinsing and Storage Solution
Algipan Rub	Amiclear Contact Lens Cleanser Tablets
Algipan Tablets	Amidose Saline Solution 30 ml
Alka-Donna P Mixture	Amin-Aid
Alka-Donna P Tablets	Amisyn Tablets
Alka-Donna Suspension	Ammonium Chloride and Morphine Mixture BP
Alka-Donna Tablets	Amplex Mint Capsules
Alka Mints	Amplex Mouthwash

**XVIII A**

**DRUGS AND OTHER SUBSTANCES NOT TO BE PRESCRIBED UNDER THE NHS  
PHARMACEUTICAL SERVICES**

Amplex Original Capsules	Asthma Tablets (Cathay)
Anadin Analgesic Capsules Maximum Strength	Astral Moisturising Cream
Anadin Analgesic Tablets	Astroplast Analgesic Capsules
Anadin Extra Analgesic Tablets	Atensine Tablets 2 mg
Anadin Extra Soluble	Atensine Tablets 5 mg
Anadin Ibuprofen Tablets	Atensine Tablets 10 mg
Anadin Paracetamol Tablets	Ativan Tablets 1 mg
Anadin Tablets Soluble	Ativan Tablets 2.5 mg
Anaflex Cream	Atrixo
Andrews Answer	Audax Ear Drops
Andrews Antacid Tablets	Autan Insect Repellent
Andrews Liver Salts Effervescent Powder	Aveeno Baby
Andrews Liver Salts (Diabetic Formula)	Aveeno Bar
Effervescent Powder	Aveeno Bar Oiled
Andursil Liquid	Aveeno Emulave Bar
Andursil Tablets	Aveenobar
Anestan Bronchial Tablets	Ayrtons Analgesic Balm
Anethaine Cream	Ayrtons Macleans Formula Tablets
Aneurone Mixture	
Angiers Junior Aspirin Tablets	B Complex Capsules (Rodale)
Angiers Junior Paracetamol Tablets	B Complex Super Capsules (Rodale)
Anorvit Tablets	B Extra Tablets (British Chemotherapeutic Products)
Antasil Liquid	Babezone Syrup
Antasil Tablets	Baby Chest Rub Ointment (Cupal)
Anthisan Cream	Babylix Syrup
Antistin-Privine Nasal Drops	Babysafe Tablets
Antistin-Privine Nasal Spray	Badedas Bath Gelee
Antitussive Linctus (Cox)	Balm of Gilead (Robinsons)
Antoin Tablets	Balm of Gilead Cough Mixture (Wicker Herbal Stores)
Antussin Liquid (Sterling Winthrop)	Balm of Gilead Liquid (Culpeper)
Anxon Capsules 15 mg	Balm of Gilead Mixture (Potters)
Anxon Capsules 30 mg	Balneum Bath Treatment 150ml pack
Anxon Capsules 45 mg	Balneum Plus Bath Treatment 150ml pack
Aperient Tablets (Brome & Schimmer)	Banfi Hungarian Hair Tonic
Aperient Tablets (Kerbina)	Banimax Tablets
Apodorm Tablets 2.5 mg	Barker's Liquid of Life Solution
Apodorm Tablets 5 mg	Barker's Liquid of Life Tablets
APP Stomach Powder	Barkoff Cough Syrup
APP Stomach Tablets	Barnes - Hind Cleaning and Soaking Solution
Applefords Gluten-Free Rice Cakes	Barnes - Hind Intensive Cleaner
Arnica Lotion	Barnes - Hind No 4 Cleaner
Arocin Capsules	Barnes - Hind Wetting and Soaking Solution
Arret Capsules	Bausch and Lomb Cleaning Tablets
Ascorbef Tablets	Bausch and Lomb Concentrated Cleaner (for Hard Lenses)
Ascorbic Acid & Hesperidin Capsules (Regent Laboratories)	Bausch and Lomb Daily Lens Cleaner
Asilone Antacid Liquid	Bausch and Lomb Saline Solution
Asilone Antacid Tablets	Bausch and Lomb Soaking and Wetting Solution
Asilone Orange Tablets	Bayer Aspirin Tablets 300 mg
Askit Capsules	BC500 Tablets
Askit Powders	BC500 with Iron Tablets
Askit Tablets	BC500 Vitamin Sachets effervescent
Aspergum Chewing Gum Tablets 227 mg	Becosym Forte Tablets
Aspirin Chewing-Gum Tablets 227 mg	Becosym Syrup
Aspirin Tablets, Effervescent Soluble 300 mg	Becosym Tablets
Aspirin Tablets, Effervescent Soluble 500 mg	Becotab Tablets
Aspirin Tablets, Slow (Micro-Encapsulated) 648 mg	Bee Health Propolis Capsules
Aspro Clear Extra Tablets	Beecham Analgesic Cream
Aspro Clear Tablets	Beechams Catarrh Capsules
Aspro Extra Strength Tablets 500 mg	Beechams Day Nurse Capsules
Aspro Junior Tablets	Beechams Day Nurse Syrup
Aspro Microfined Tablets	Beechams Night Nurse Capsules
Aspro Paraclear Junior Tablets	
Aspro Paraclear Tablets	

**DRUGS AND OTHER SUBSTANCES NOT TO BE PRESCRIBED UNDER THE NHS  
PHARMACEUTICAL SERVICES**

Beechams Night Nurse Cold Remedy	Biocare Biogard Capsules
Beechams Pills	Biocare Bio-Cysteine Capsules
Beechams Powders	Biocare Bio-Magnesium Capsules 100mg
Beechams Powders Capsule Form	Biocare Bio-Manganese Capsules
Beechams Powders Mentholated	Biocare Bio-Plex Powder
Beechams Powders Tablet Form	Biocare Butyric Acid Compound Capsules
Beehive Balsam	Biocare Calcidophilus Capsules
Bekovit Tablets	Biocare Calcium EAP2 Capsules
Belladonna and Ephedrine Mixture, Paediatric, BPC	Biocare Candistatin Capsules
Bellocarb Tablets	Biocare Catalase Compound Liquid
Bemax Natural Wheatgerm	Biocare Cervagyn Vaginal Cream
Benadon Tablets 20 mg	Biocare Cellguard Forte Capsules
Benadon Tablets 50 mg	Biocare CG233 Capsules
Benafed Linctus	Biocare Children's Multi Vitamin/Mineral Capsules
Benerva Compound Tablets	Biocare Cholesteraze Capsules
Benerva Injection 25 mg/ml	Biocare Chromium Polynicotinate Liquid
Benerva Injection 100 mg/ml	Biocare Colleginase Capsules
Benerva Tablets 3 mg	Biocare Colon Care Capsules
Benerva Tablets 10 mg	Biocare Cystoplex Powder
Benerva Tablets 25 mg	Biocare Dermasorb Skin Cream
Benerva Tablets 50 mg	Biocare Digestaid Capsules
Benerva Tablets 100 mg	Biocare DMSA Capsules
Benerva Tablets 300 mg	Biocare Efavlex Linseed/GLA Blend Capsules
Bengers Food	Biocare Enteroplex Powder
Bengue's Balsam	Biocare Eradicin Forte Capsules
Benylin Chesty Coughs Original	Biocare Femforte Capsules
Benylin Children's Coughs	Biocare Garlicin Capsules
Benylin Children's Cough Linctus	Biocare GLA Complex Tablets
Benylin Cough & Congestion	Biocare GLA/Co Q10 Catalase Capsules
Benylin Day & Night Tablets	Biocare Glutenzyme Capsules
Benylin Day & Night Cold Treatment	Biocare Hep 194 (Hepaguard) Capsules
Benylin Dry Coughs Original	Biocare HCL Pepsin Capsules
Benylin Expectorant	Biocare Histazyme Capsules
Benylin Fortified Linctus	Biocare IMU Power Pack
Benylin Mentholated Cough & Decongestant Linctus	Biocare Int B2 Bifidophilus Bacterium Powder
Benylin Non-Drowsy Cough Linctus	Biocare Iron EAP2 Capsules
Benylin Paediatric	Biocare Kalmar Capsules
Benylin with Codeine	Biocare Lactase Enzyme Liquid
Benzedrex Inhaler	Biocare Ligazyme Capsules
Benzoin Inhalation BP	Biocare Linseed Oil Emulsifying Capsules
Bepro Cough Syrup	Biocare Lipazyme Capsules
Beres Drops Plus	Biocare Lipo-Plex Capsules
Bergasol After Sun Soother	Biocare Lipo-Plex Co-Q10 EPA/DHA Capsules
Bergasol Ultra Protection Tanning Lotion	Biocare Magnesium Calcium 2:1 Capsules
Best Royal Jelly Capsules	Biocare Magnesium EAP2 Capsules
Beta Carotene Capsules (Nutri Imports & Exports)	Biocare Mega GLA Complex Capsules 163mg
Biactol Anti-Bacterial Face Wash	Biocare Molybdenum Liquid
Bile Beans Formula 1 Pill	Biocare Multi-Mineral Complex Capsules
Bio-Antioxidant Tablets	Biocare Multivitamin Mineral Capsules
Biocare Acidophilus Powder	Biocare Mycopryl 250 Junior Strength Capsules
Biocare AD206 (Adreno-Zyme) Capsules	Biocare Mycopryl 400 Capsules
Biocare Allicin Compound Capsules	Biocare Mycopryl 680 Capsules
Biocare Amino-Plex Capsules	Biocare N-Acetyl Glucosamine Capsules
Biocare Artemisia Compound Capsules	Biocare NT 188 (Neurotone) Capsules
Biocare ATP Factor Capsules	Biocare Organic Selenium Capsules 100mcg
Biocare Beetroot Concentrate (Bioflavour Complex) Capsules	Biocare Oxy-B15 Complex Capsules
Biocare Beta-Carotene Capsules	Biocare Oxyplex Tablets
Biocare Betaine HCL/Pepsin Capsules 200/100mg	Biocare Oxy Pro Liquid
Biocare BGF Bifidophilus Growth Factor Powder	Biocare Pancrogest Capsules
Biocare Bio Acidophilus Milk Free Capsules	Biocare Paracidin (Citricidal) Oral Drops
Biocare Bio-A Emulsifying Liquid	Biocare Permatrol Capsules
	Biocare Pit-Enzyme Capsules
	Biocare Polyzyme Capsules
	Biocare Polyzyme Forte & Acidophilus Capsules

**DRUGS AND OTHER SUBSTANCES NOT TO BE PRESCRIBED UNDER THE NHS  
PHARMACEUTICAL SERVICES**

Biocare Polyzyme Forte Capsules	Bio-Strath Elixir
Biocare Potassium Ascorbate Capsules	Biovital Tablets
Biocare Prolactazyme Capsules	Biovital Vitamin Tonic
Biocare Prolactazyme Tablets	Birley's Antacid Powder
Biocare Reduced Glutathione Capsules	Bis-Mag Lozenge
Biocare Replete Sachets	Bis-Peps Tablets
Biocare Sea Plasma Capsules 500mg	Bisma-Calna Cream
Biocare Selenium Complex Tablets 50mcg	Bisma-Rex Powder
Biocare Selenium Liquid	Bisma-Rex Tablets
Biocare Shiitake Mushroom Extract Capsules	Bismag Antacid Powder
Biocare Spectrumzyme Capsules	Bismag Tablets
Biocare TH207 (Thyro-Zyme) Capsules	Bismuth Compound Lozenges BPC
Biocare Thioproline Capsules	Bismuth Dyspepsia Lozenges
Biocare Uritol Capsules	Bismuth Pepsin and Pancreatin Tablets
Biocare Vegi-Dophilus Capsules	Bismuth, Soda and Pepsin Mixture
Biocare Vitamin B6 Capsules	Bisodol Antacid Powder
Biocare Vitamin B Compound Capsules	Bisodol Extra Tablets
Biocare Vitamin B12 Timed Release Capsules	Bisodol Tablets
Biocare Vitamin C Capsules	Bisolvomycin Capsules
Biocare Vitamin C Magnesium Ascorbate Powder	Bisolvon Elixir
Biocare Vitamin E Emulsifying Capsules	Bisolvon Tablets
Biocare Vyta Mins Capsules	Blackcurrant Cough Elixir (Thornton & Ross)
Biocare Zinc Tablets	Blackcurrant Seed Oil Capsules
Bio-Carotene Softgel Capsules	Blackcurrant Syrup Compound (Beben)
Bioflav Complex Tablets	Blackmore's Acidophilus & Pectin Tablets
Bioflav Complex + C Tablets	Blackmore's Bio C Tablets
Bioflavonoid C Capsules	Blackmore's Celloid CS36 Calcium Sulphate Tablets
Bio-Glandin 25 Capsules	Blackmore's Celloid IP82 Iron pH Tablets
Bio Harmony Sachets	Blackmore's Celloid SS69 Sodium Sulphate Tablets
Bio-Health Buffered C500 Capsules	Blackmore's Citrus C & Acerola Tablets
Bio-Health Extra Calcium Capsules	Blackmore's Duocelloid PP/MP Tablets
Bio-Health Zinc Gluconate Capsules	Blackmore's Duocelloid PS/MP Tablets
Bio-Light Slimming Food Supplement	Blackmore's Duocelloid S/CF Tablets
Bio-Quinone Q10 Softgel Capsules	Blackmore's Duocelloid SP/S Tablets
Bio-Quinone Q10 Super Softgel Capsules	Blackmore's Echinacea ACE + Zinc Tablets
Bioscal Hair Formula	Blackmore's Hypericum Tablets
Bio Science Basic Health AM Capsules	Blackmore's Sodical Plus Tablets
Bio Science Basic Health PM Capsules	Blandax Suspension
Bio Science Bio-C Powder	Blavig Tablets
Bio Science Cal-Mag Alkaline Capsules	Blood Tonic Mixture (Thompsons)
Bio Science Chelated Cal-Mag Compound Capsules	Boldolaxine Tablets
Bio Science Chelated Zinc Capsules	Bonemeal Calfos, Vit A Ester, Vit D Tablets
Bio Science Full Spectrum Aminos Powder	Bonomint Chewing Gum
Bio Science Lipid Enzyme Capsules	Bonomint Tablets
Bio Science Lo-pH Complete Spectrum Digestive Enzyme Capsules	Booth's Cough & Catarrh Elixir
Bio Science Lo-pH Digestive Enzyme Capsules	Boots Aromatherapy Massage Oil
Bio Science MSM Organic Sulphur Capsules	Boots Baby Oil
Bio Science Non-Acidic Sustained Release Vitamin C Tablets	Boots Cold Relief Powder for Solution
Bio Science Organic Iron Capsules	Boots Compound Laxative Syrup of Figs
Bio Science Pro Enzyme Capsules	Boots Cough Relief for Adults
Bio Science Pyroxidal 5 Phosphates Capsules	Boots Glucosamine Sulphate Capsules
Bio Science Selenium Plus Capsules	Boots Glycerin & Blackcurrant Soothing Cough Relief
Bio Science Timed Release Vitamin C Tablets	Boots Hard Lens Soaking Solution
Bio Science Vitamin B1 Capsules	Boots Hard Lens Wetting Solution
Bio Science Vitamin B3 Nicotinamide Capsules	Boots Health Salts
Bio Science Vitamin B5 Calcium Pantothenate Capsules	Boots Indigestion Plus Mixture
Bio Science Vitamin B6 Capsules	Boots Indigestion Powder
Bio Science Vitamin E Capsules	Boots Lip Salve
Bio-Selenium + Zinc Tablets	Boots Menthol & Wintergreen Embrocation
Bio-Strath Drops	Boots Nasal Spray
	Boots No 7 Vitamin E Skin Cream



**DRUGS AND OTHER SUBSTANCES NOT TO BE PRESCRIBED UNDER THE NHS  
PHARMACEUTICAL SERVICES**

Boots Orange Drink	Cabdrivers Junior Linctus
Boots Soft Lens Cleaning Solution	Cabdrivers Nasal Decongestant Tablets
Boots Soft Lens Comfort Solution	Cadbury's Coffee Compliment
Boots Soft Lens Soaking Solution	Cafadol Tablets
Boots Soya Milk	Caffeine & Dextrose Tablets
Boots Vapour Rub Ointment	Cal-A-Cool Aftersun Moisturising Cream
Boston Lens Cleaning Solution	Caladryl Cream
Boston Lens Wetting and Soaking Solution	Caladryl Lotion
Box's Balm of Gilead Cough Mixture	Calamage
Bravit Capsules	Calcia Calcium Supplement Tablets
Bravit Tablets	Calcimax Syrup
Breoprin Tablets 648 mg	Calcinat Tablets
Brewers Yeast Super B Tablets (Rodale)	Calcium Syrup (Berk Pharmaceuticals)
Brewers Yeast Tablets (3M Health Care)	Calendolon Ointment
Brewers Yeast Tablets (Phillips Yeast Products)	California Syrup of Figs
Bricanyl Compound Tablets	Calpol Extra Tablets
Bricanyl Expectorant	Calpol Infant Suspension
Brogans Cough Mixture	Calpol Six Plus Suspension
Brogans Cough Syrup	Calpol Tablets
Bromazepam Tablets 1.5 mg	Calsalettes Sugar Coated Tablets
Bromazepam Tablets 3 mg	Calsalettes Uncoated Tablets
Bromazepam Tablets 6 mg	Camfortix Linctus P1
Bromhexine Hydrochloride Elixir 4 mg/5 ml	Camphor Spirit
Bromhexine Hydrochloride Tablets 8 mg	Candacurb Capsules
Bronalin Decongestant	Candacurb-E Capsules
Bronalin Dry Cough Linctus	Canderel Intense Sweetener Spoonful
Bronalin Expectorant	Candermyl Liposome Cream
Bronalin Paediatric Cough Syrup	CantafLOUR
Bronchial & Cough Mixture (Worthington Walter)	Cantamac Tablets
Bronchial Balsam (Cox)	Cantamega 1000 Tablets
Bronchial Catarrh Syrup (Rusco)	Cantamega 2000 Divided Dose Tablets ¼ Size
Bronchial Cough Mixture (Evans Medical)	Cantamega 2000 Naturtab Tablets
Bronchial Emulsion (Three Flasks) (Thornton & Ross)	Cantassium Amino M.S. Tablets
Bronchial Emulsion AS Extra Strong (Ayrton Saunders)	Cantassium Discs
Bronchial Mixture (Rusco)	Cantassium Fructose
Bronchial Mixture Extra Strong (Cox)	Cantassium Multivitamin Tablets
Bronchial Mixture Sure Shield Brand	Capramin Tablets
Bronchial Tablets (Leoren)	Caprystatin Capsules
Bronchialis Mist Liquid (Industrial Pharmaceutical Services)	Carbellon Tablets
Bronchialis Mist Nig Double Strength (Phillip Harris Medical)	Carbo-Cort Cream
Bronchisan Childrens Cough Syrup	Carisoma Compound Tablets
Bronchisan Cough Syrup	Carnation Coffeemate
Broncholia Mixture	Carnation Slender Meal Replacement (All Flavours)
Bronchotone Solution	Carrzone Powder
Bronkure Cough & Bronchitis Mixture (Jacksons)	Carters Little Pills
Brontus Syrup	CarylDerm Shampoo
Brontus Syrup for Children	Cascara Evacuant Liquid Mixture
Brontussin Cough Suppressant Mixture	Cascara Tablets BP
Brooklax Tablets	Castellan No 10 Cough Mixture
Brotizolam Tablets 0.125 mg	Catarrh & Bronchial Syrup (Thornton & Ross)
Brotizolam Tablets 0.25 mg	Catarrh Cough Syrup (Boots)
Bufferin Tablets	Catarrh Mixture (Herbal Laboratories)
Build-Up (Nestle Health Care)	Catarrh Syrup for Children (Boots)
Buttercup Baby Cough Linctus	Catarrh Tablets (Cathay)
Buttercup Syrup	Catarrh-Ex Tablets
Buttercup Syrup Honey and Lemon	Ce-Cobalin Syrup
	Ceeyees Tablets
	Celaton Rejuvenation Tablets
	Celaton CH3 Strong & Calm Tablets
	Celaton CH3 Triplus Tablets
	Celaton CH3 + Ease & Vitality Tablets
	Celaton Whole Wheat Germ Capsules
	Celavit 1 Powder
Cabdrivers Adult Linctus	
Cabdrivers Diabetic Linctus	

**XVIII A**

**DRUGS AND OTHER SUBSTANCES NOT TO BE PRESCRIBED UNDER THE NHS  
PHARMACEUTICAL SERVICES**

Celavit 2 Powder	Clinique Crystal Clear Cleaning Oil
Celavit 3 Powder	Clinique Dramatically Different Moisturising Lotion
Celevac Granules	Clinique Facial Mild Soap
Centrax Tablets 10 mg	Clinisan Skin Cleansing Foam
Cephos Powders	Clinisan Skin Cleansing Foam Aerosol 500ml
Cephos Tablets	Clorazepate Dipotassium Capsules 7.5 mg
Cetaphil Lotion	Clorazepate Dipotassium Capsules 15 mg
Charabs Tablets	Clorazepate Dipotassium Tablets 15 mg
Charvita Tablets	Co-op Aspirin Tablets BP 300 mg
Cheroline Cough Linctus	Co-op Bronchial Mixture
Cherry Bark Cough Syrup Childrens (Loveridge)	Co-op Halibut Liver Oil Capsules BP
Cherry Bark Linctus Adults (Loveridge)	Co-op Paracetamol Tablets BP 500 mg
Cherry Cough Balsam (Herbal Laboratories)	Co-op Soluble Aspirin Tablets BP 300 mg
Cherry Cough Linctus (Savoury & Moore)	Cobalin H Injection 250 mcg/ml
Cherry Cough Mixture (Rusco)	Cobalin H Injection 1000 mcg/ml
Cherry Flavoured Extract of Malt (Distillers)	Cobalin Injection 100 mcg/ml
Chest & Cough Tablets (Brome & Schimmer)	Cobalin Injection 250 mcg/ml
Chest & Cough Tablets (Kerbina)	Cobalin Injection 500 mcg/ml
Chest & Throat Tablets No 8,000 (English Grains)	Cobalin Injection 1000 mcg/ml
Chest Pills (Brome & Schimmer)	Coda - Med Tablets
Chest Tablets (Kerbina)	Cod Liver Oil & Creosote Capsules (5 Oval) (R P Scherer)
Chesty Cough Syrup (Scott & Browne)	Cod Liver Oil & Creosote Capsules (10 Oval) (R P Scherer)
Chickweed Ointment	Cod Liver Oil Caps 10 Minims (Woodward)
Chilblain Tablets (Boots)	Cod Liver Oil High Potency Capsules (R P Scherer)
Child's Cherry Flavoured Linctus (Cupal)	Cod Liver Oil with Malt Extract & Hypophosphite Syrup (Distillers)
Children's Blackcurrant Cough Syrup (Rusco)	Cod Liver Oil 0.3 ml Capsules (R P Scherer)
Children's Cherry Cough Syrup (Thornton & Ross)	Cod Liver Oil 0.6 ml Capsules (R P Scherer)
Children's Cough Linctus (Ransoms)	Codalax
Children's Cough Mixture (Beecham)	Codalax Forte
Children's Cough Mixture (Loveridge)	Codanin Analgesic Tablets
Children's Cough Syrup (Ayrton Saunders)	Codis Soluble Tablets
Children's Cough Syrup (Cox)	Codural Tablets
Children's Cough Syrup (Evans Medical)	Cojene Tablets
Children's Cough Syrup (Thornbers)	Cold & Influenza Capsules (Regent Laboratories)
Children's Medicine Liquid (Hall's)	Cold & Influenza Mixture (Boots)
Children's Phensic Tablets	Cold & Influenza Mixture (Davidson)
Children's Wild Cherry Cough Linctus (Evans Medical)	Cold & Influenza Mixture (Rusco)
Chilvax Tablets	Cold & Influenza Mixture (Thornton & Ross)
Chlorasol Sachets	Cold Relief (Blackcurrant Flavour) Granular Powder (Boots)
Chocolate Laxative Tablets (Isola)	Cold Relief Capsules (Scott & Bowne)
Chocovite Tablets	Cold Relief Tablets (Boots)
Christy's Rich Lanolin	Cold Tablets (Roberts)
Christy's Skin Emulsion	Coldrex Powder
Cidal	Coldrex Tablets
Cidex Longlife	Colgard Emergency Essence (Lane Health Products)
Cidex Sterilising Solution	Colgate Dental Cream with MFP Fluoride
Cinnamon Essence Medicinal Mixture (Langdale)	Colgate Disclosing Tablets
Cinnamon Tablets Medicinal (Langdale)	Collins Elixir
Cinota Drops	Colocynth & Jalap Tablets Compound BPC 1963
Citrosan Powder	Colocynth Compound Pills BPC 1963
Claradin Effervescent Tablets	Cologel Liquid
Clara's Kitchen Gluten-Free Porridge	Comfort Sachets
Clarityn Allergy	Communion Wafers
Clarkes Blood Mixture	Complan
Clean and Soak	Comploment Continus Tablets
Cleansing Herb Dried (Potters)	Compound Fig Elixir BP
Cleansing Herbs (Brome & Schimmer)	Compound Rhubarb Oral Powder BP
Cleansing Herbs Powder (Dorwest)	Compound Rhubarb Tincture BP
Clen-Zym Tablets	Compound Syrup of Glycerophosphates BPC 1963
Clerz Lubricating and Rewetting Eye Drops	
Clerz Lubricating Cleaning and	
Clinique Clarifying Lotion	
Clinique Continuous Coverage	

**DRUGS AND OTHER SUBSTANCES NOT TO BE PRESCRIBED UNDER THE NHS  
PHARMACEUTICAL SERVICES**

Compound Syrup of Hypophosphites BPC 1963	Cow & Gate Follow-On Babymilk Step Up
Comtrex Capsules	Cow & Gate Junior Meal
Comtrex Liquid	Cow & Gate Olvarit Stage Two Main Course
Comtrex Tablets	Cow & Gate Premium Baby Food
Concavit Capsules	Cox Pain Tablets
Concavit Drops	Crampex Tablets
Concavit Injection	Cranberry Juice
Concavit Syrup	Cream of Magnesia Tablets 300 mg
Confiance Dietary Supplement Tablets	Cremaffin Emulsion
Congreves Balsamic Elixir	Cremaffin Balm
Constipation Herb Dried (Potters)	Creosote Bronchial Mixture (Loveridge)
Constipation Herbs (Hall's)	Crookes One-a-Day Multivitamins with Iron
Constipation Herbs (Mixed Herbs) (Brome & Schimmer)	Crookes One-a-Day Multivitamins without Iron
Constipation Mixture No 105 (Potters)	Crookes Wheat Germ Oil Capsules
Contact 400 Capsules	Croupine Cough Syrup (Roberts)
Contact Coughcaps	Crusha Milk Shake Syrup
Contactclean Cleaning Solution	Cullen's Headache Powders
Contactsoak Disinfecting and Soaking Solution	Culpepper Healing Ointment
Contactsol O2 Care Solution	Culpepper Rheumatic Cream
Contactsol Complete Care All-In-One Solution	Cupal Health Salts
Contactsol Solar Saline Spray	Cupal Nail Bite Lotion
Contactsol Wetting Solution	Cuprofen Soluble Tablets
Copholco Cough Syrup	Cuprofen Tablets
Copholcoids	Cuticura Medicated Foam Bath
Coppertone Apres Plage Aftersun Milk	Cuticura Talcum Powder
Coppertone Children's Cream SPF25	Cyanocobalamin Solution (any strength)
Coppertone Children's Lotion SPF15	Cytacon Liquid
Coppertone Dark Tanning Lotion SPF4	Cytacon Tablets
Coppertone Sun Tanning Lotion SPF6	Cytamen 250 Injection
Coppertone Water Resistant Tanning Cream SPF8	Cytamen 1000 Injection
Co-Q10 Tablets	Cytoplan Acidophilus Capsules (Milk Free)
Core Level Adrenal Tablets	Cytoplan Acidophilus/Bifidophilus 50%/50% Capsules
Core Level Auto Sym Tablets	Cytoplan Aloe Vera Concentrate
Core Level C Timed Release Tablets	Cytoplan Betaine & Pepsin Capsules 345mg/10mg
Core Level Health Reserve Tablets	Cytoplan Bifidophilus Extra Tablets
Core Level Ilioduodenal Tablets	Cytoplan Biotin Capsules 100mcg
Core Level Magnesium Tablets	Cytoplan Children's Chewable Mineral/Vitamin Tablets
Core Level Zinc Tablets	Cytoplan Choline/Inositol Capsules 250mg/250mg
Corrective Tablets (Ayrton Saunders)	Cytoplan Co-Factor Compound Plus Capsules
Correctol Tablets	Cytoplan CytoCleanse Formula Capsules
Cosalgesic Tablets	Cytoplan Cytomin Mineral/Vitamin Tablets
Cosylan Syrup	Cytoplan Cytoplex Tablets
Coterpil Syrup	Cytoplan Cytophilus Milk Free Capsules
Cough & Bronchitis Mixture (Davidson)	Cytoplan De-Toxifying Compound Capsules
Cough & Cold Mixture (Beecham)	Cytoplan Dolomite Magnesium Carbon Calcium Carbon Tablets
Cough Balsam (Abernethy's)	Cytoplan EPA Capsules
Cough Balsam (Thornbers)	Cytoplan Iron Extra Tablets
Cough Expectorant Elixir (Regent Laboratories)	Cytoplan Lecithin Capsules
Cough Linctus (Sanderson's)	Cytoplan Magnesium Ascorbic Capsules
Cough Linctus Alcoholic (Thomas Guest)	Cytoplan Magnesium/Calcium Capsules 250mg/250mg
Cough Linctus for Children (Boots)	Cytoplan Magnesium Citric Capsules
Cough Medicine for Infants & Children Solution (Boots)	Cytoplan Magnesium Complex Capsules
Cough Mixture (Tingles)	Cytoplan Manganese Complex Capsules
Cough Mixture Adults (Thornton & Ross)	Cytoplan Multex Multivitamin and Mineral Formulation
Cough Mixture Adults (Wicker Herbal Stores)	Cytoplan Pantothenic Acid Tablets
Cough Syrup Best (Diopharm)	Cytoplan Potassium Pantothenate Capsules
Cough Tablets (Kerbina)	Cytoplan Pryoxidal-5-pH Complex Capsules
Country Basket Rice Cakes	Cytoplan Selenium Capsules
Covermark Removing Cream	Cytoplan Supermag-Plus Capsules
Covonia Bronchial Balsam Linctus	
Cow & Gate Babymeals Stage One	
Cow & Gate Baby Milk Plus	

**DRUGS AND OTHER SUBSTANCES NOT TO BE PRESCRIBED UNDER THE NHS  
PHARMACEUTICAL SERVICES**

Cytoplan Vitamin A Capsules	Dextromethorphan Hydrobromide Solution
Cytoplan Vitamin C 1000mg + Bioflavour 50mg Capsules	7.5 mg/5 ml
Cytoplan Vitamin C Powder	Dextromethorphan Hydrobromide Syrup
Cytoplan Vitamin E Capsules	6.6 mg/5 ml
Cytoplan Zinc Lozenge Wafers	Dextromethorphan Hydrobromide Syrup
	13.5 mg/5 ml
	Dextropropoxyphene & Paracetamol Dispersible Tablets
Dakin's Golden Vitamin Malt Syrup	Dextropropoxyphene & Paracetamol Soluble Tablets
Daktarin Cream 15g	DF 118 Elixir
Daktarin Powder	DF 118 Tablets
Daktarin Twin Pack	DGL 1 Suspension
Dalivit Capsules	DGL 2 Suspension
Dalivit Syrup	DGT 1 Tablets
Dalmane Capsules 15 mg	DGT 2 Tablets
Dalmane Capsules 30 mg	DHL Rheumatic Massage Cream
Dansac Skin Lotion	Diabetic Bronal Syrup
Davenol Linctus	Dialar Forte Syrup 5 mg/5 ml
Daxaids Tablets	Dialar Syrup 2 mg/5 ml
Day-Vits Multivitamin & Mineral Tablets	Dialume Capsules 500 mg
Dayovite	Diazepam Capsules, Slow 10 mg
De Witt's Analgesic Pills	Diazepam Elixir 5 mg/5 ml
De Witt's Antacid Powder	Diazepam Oral Solution 5mg/5ml
De Witt's Antacid Tablets	Diazepam Oral Suspension 5mg/5ml
De Witt's Baby Cough Syrup	Dietade Diabetic Jam
De Witt's Cough Syrup	Dietade Diabetic Marmalade
De Witt's PL Pills	Dietade Diabetic Squash
Dead Sea Natural Mineral Soap	Dietade Dietary Foods Fruit Sugar
Deakin & Hughes Cough & Cold Healer Mixture	Dietade Fruit Sugar
Deakin's Fever & Inflammation Remedy Mixture	Dietade Jelly Crystals
Delax Emulsion	Digesprin Antacid Tablets
Delial Lotion SPF2	Digestells Lozenges
Delial Lotion SPF6 Water Resistant	Dihydroxyaluminium Sodium Carbonate Tablets
Delimon	Dijex Liquid
Deltasoralen Bath Lotion	Dijex Tablets
Dencyl Spansules	Dimotane Expectorant
Dentakit Toothache First Aid Kit	Dimotane Expectorant DC
Dentu-Hold Liquid	Dimotane with Codeine Elixir
Derbac C Shampoo	Dimotane with Codeine Paediatric Elixir
Derbac Soap	Dimotapp Elixir
Derl Dermatological Soap	Dimotapp Elixir Paediatric
Dermablend Chromatone Fade Creme Plus	Dimotapp LA Tablets
Dermablend Cleanser/Remover	Dimotapp P Tablets
Dermablend Maximum Moisturiser	Dimyrl Linctus
Dermablend Quick Fix Concealment Stick	Dinnefords Gripe Mixture
Dermacolor Body Cover	Diocalm Ultra Capsules
Dermacolor Cleansing Cream	Diocetyl Ear Drops
Dermacolor Cleansing Lotion	Disprin Direct Tablets
Dermacolor Cleansing Milk	Disprin Extra Tablets
Dermacolor 6 Colour Palette	Disprin Solmin Tablets
Dermacolor Creme Effective No.2	Disprin Tablets
Dermacolor Fixier Spray	Disprinex Tablets
Dermacolor Skin Plastic	Disprol Infant Suspension
Dermacort Cream	Disprol Junior Tablets Soluble
Dermalex Skin Lotion	Distalgesic Soluble Tablets
Dermidex Dermatological Cream	Distalgesic Tablets
Dermo-Care Soapless Soap	Ditemic Spansules
Desiccated Liver Tablets	Do-Do Linctus
Desiccated Liver USNF Tablets	Do-Do Tablets
Detox Tablets (Hursdrex)	Dolasan Tablets
Dettox Antibacterial Cleanser	Doloxene Capsules
Dextro Energy Glucose Tablets	Doloxene Compound Pulvules
Dextrogesic Tablets	Dolvan Tablets
Dextromethorphan Hydrobromide Solution	
3.75 mg/5 ml	

**DRUGS AND OTHER SUBSTANCES NOT TO BE PRESCRIBED UNDER THE NHS  
PHARMACEUTICAL SERVICES**

Dorbanex Capsules	Earthlore Vitamin B Compound Tablets
Dorbanex Liquid	Ecologic 315 Granules
Dorbanex Liquid Forte	Ecdilyn Syrup
Dormonoct Tablets 1 mg	Educol Tablets
Dove Cleansing Bar	Efamol
Dr Brandreth's Pills	Efamol Capsules
Dr D E Jongh's Cod Liver Oil with Malt Extract & Vitamins Fortified Syrup	Efamol Marine Capsules
Dr William's Pink Pills	Efamol Oil
Dragon Balm	Efamol Plus Capsules
Drastin Tablets	Efamol Plus Evening Primrose Oil & Coenzyme Q10 Capsules
Dristan Decongestant Tablets with Antihistamine	Efamol PMP
Dristan Nasal Spray	Efamolia Enriched Moisture Cream
Droxalin Tablets	Efamolia Moisture Cream
Dry Cough Linctus (Scott & Bowne)	Efamolia Night Cream
Dual-Lax Extra Strong Tablets	Efavite Tablets
Dual-Lax Tablets	Efavite Vitamin & Zinc Supplement Tablets
Dubam Cream	Effer-C Tablets
Dubam Spray Relief	Efficco Syrup
Dulca Tablets	Elagen
Dulcodos Tablets	Eldermint Cough Mixture (Herbal Laboratories)
Dulco-Lax Suppositories	Elgydium Toothpaste
Dulco-Lax Tablets	Elizabeth Arden Flawless Finish
Duo-Gastritis Mixture (Baldwin's)	Elizabeth Arden Sunblock Cream Factor 15
Duphalac Syrup	Elizabeth Arden Sunscience Superblock Cream spf 34
Duralin Capsules Extra Strength	Elkamol Tablets
Duralin Tablets	Ellimans Universal Embrocation
Dusk Insect Repellent Cream	Elsan Blue Liquid
Duttons Cough Mixture	Emuwash
Dynese Aqueous Suspension	Endet Powders
Dynese Tablets	Ener-G Gluten-free and Soya-free Macaroon Cookies
D001 Capsules	Ener-G Gluten-free Rice and Peanut-Butter Cookies
D002 Capsules	Ener-G Gluten-free Rice Walnut Cookies
D004 Capsules	Energen Starch Reduced Crispbread
D006 Capsules	Enfamil Human Milk Fortifier
D007 Capsules	English Grains Mixed Gland Compound Tablets
D009 Capsules	English Grains Red Kooga Multivitamins & Minerals
D010 Capsules	Engran HP Tablets
D011 Capsules	Engran Tablets
D012 Capsules	Eno Fruit Salts
D013 Capsules	Enzyme Process Achol Tablets
D014 Capsules	Enzyme Process Enzastatin Tablets
D017 Capsules	Enzyme Process Liver Tablets
D018 Capsules	Enzyme Process Pancreas 523 Tablets
D019 Capsules	Enzyme Process Pro-T-Compound Tablets
D020 Capsules	Enzyme Process Vitamin B12 + Liver Tablets
D021 Capsules	EP Tablets
D024 Capsules	EPOC Capsules
D029 Capsules	Equagesic Tablets
D030 Capsules	Equisorb High Fibre Guar Bread Rolls
D031 Capsules	Eskamel Cream
D032 Capsules	Eskornade Spansule Capsules
D033 Capsules	Eskornade Syrup
D034 Capsules	Eso-Col Cold Treatment Tablets
D036 Capsules	Esoterica Fortified Cream
Earex Ear Drops	Essentia Special E Cream
Earthdust Aged Garlic Tablets	Ester-C Powder
Earthdust Capricin Forte Capsules	Ester-C Tablets
Earthdust Formula 1 Capsules	Euhypnos Capsules 10 mg
Earthdust Pro-Biotic New Complex Powder	Euhypnos Elixir 10 mg/5 ml
Earthdust Super-Pro-Bifidus Powder	Euhypnos Forte Capsules 20 mg
Earthdust Super-Pro-Dophilus Powder	

**DRUGS AND OTHER SUBSTANCES NOT TO BE PRESCRIBED UNDER THE NHS  
PHARMACEUTICAL SERVICES**

Evacalm Tablets 2 mg	Fenox Nasal Spray
Evacalm Tablets 5 mg	Feospan Spansule Capsules
Evans Cough Balsam	Ferfolic SV Tablets
Evening Primrose Oil	Ferfolic Tablets
Evening Primrose Oil Capsules	Fergluvite Tablets
Evian Mineral Water	Fergon Tablets
Evident Disclosing Cream	Ferraplex B Tablets
Ex-Lax Chocolate Laxative Tablets	Ferrecit Tablets/Dragees
Ex-Lax Pills	Ferrocaps Capsules
Expectorant Cough Mixtures (Beecham)	Ferrocaps F-350 Capsules
Expulin Cough Linctus	Ferroglobin B12 Vitamin/Mineral Compound
Expulin Decongestant Linctus for Babies & Children	Ferrograd C Tablets
Expulin Paediatric Cough Linctus	Ferrol
Extil Compound Linctus	Ferrol Compound Mixture
Extravite Tablets	Ferromyn B Elixir
Extren Tablets	Ferromyn B Tablets
Exyphen Elixir	Ferrous Gluconate Compound Tablets
E001 Capsules	Ferrous Sulphate Compound Tablets BP
E015 Capsules	Fesovit Spansules
E018 Capsules	Fesovit Z Spansules
E021 Capsules	Fibre Biscuits
E031 Capsules	Fibrosine Analgesic Balm
E032 Capsules	Fiery Jack Cream
	Fiery Jack Ointment
	Filetti Sensitive Skin Soap
	Finasteride 1mg Tablets
Fade Out Skin Lightening Cream	Fine Fare Aspirin Tablets 300 mg
Fairy Household Liquid	Fine Fare Hot Lemon Powders
Falcodyl Linctus	Fink Linusit Gold Pure Golden Linseeds
Falkamin	Flar Capsules
Fam Lax Tablets	Flavelix Syrup
Famel Expectorant	Flexcare Soft Lens Solution
Famel Linctus	Flexsol Solution
Famel Original Linctus	Flora Margarine
Family Cherry Flavoured Linctus (Cupal)	Floradix Formula Liquid
Family Health Multivitamin Tablets	Floradix Tablets
Family Herbal Pills	Floral Arbour Tablets (Cathay)
Fanalgc Syrup	Flucaps
Fanalgc Tablets	Flunitrazepam Tablets 1 mg
Farex Fingers	Fluralar Capsules 15 mg
Farley's Farex Weaning Food	Fluralar Capsules 30 mg
Farley's First Milk	Flurazepam Capsules 15 mg
Farley's Follow-On Milk	Flurazepam Capsules 30 mg
Farley's Premcare Ready-to-Feed	Flurazepam Hydrochloride Capsules 15 mg
Farleys Rusks	Flurazepam Hydrochloride Capsules 30 mg
Farley's Tea Timer	Flu-Rex Tablets
Father Pierre's Monastery Herbs	Flurex Bedtime Cold Remedy
Fe-Cap C Capsules	Flurex Capsules
Feac Tablets	Flurex Decongestant Inhalant Capsules
Feen-a-Mint Tablets	Flurex Hot Lemon Concentrate
Fefol Spansule Capsules	Flurex Tablets
Fefol-Vit Spansules	Folex-350 Tablets
Fefol Z Spansule Capsules	Folicin Tablets
Femafen Capsules	Folped
Femerital Tablets	Foresight Tablets Mineral Formula
Femeron Cream	Foresight Tablets Vitamin (Multivitamins)
Feminax Tablets	Formula M.E. (Multiple Elevator) No 1 Capsules
Fendamin Tablets	Formula M.E. (Multiple Elevator) No 2 Capsules
Fennings Adult Cooling Powders	Formula M.E. (Multiple Elevator) No 3 Capsules
Fennings Children's Cooling Powders	Formule B Spot Treatment Roll On
Fennings Little Healers Pills	Formulix
Fennings Mixture	Forprin Tablets
Fennings Soluble Junior Aspirin Tablets	Fortagesic Tablets
Fenox Nasal Drops	Fortespan Spansules

**DRUGS AND OTHER SUBSTANCES NOT TO BE PRESCRIBED UNDER THE NHS  
PHARMACEUTICAL SERVICES**

Fort-E-Vite Capsules	Gerimax Original Korean Panax Ginseng with Vitamins, Minerals and Amino Acid.
Fort-E-Vite 1000 Capsules	Geriplex Capsules
Fort-E-Vite Cream	Germolene Ointment
Fort-E-Vite Plus Capsules	Gevral Capsules
Fort-E-Vite Super Plus Capsules	Gevral Tablets
Fortison Low Sodium	Ginkgo Biloba Extract Capsules 40mg
Fortral Capsules 50 mg	Ginkgo Biloba Liquid
Fortral Injection	Givitol Capsules
Fortral Suppositories	Gladlax Tablets
Fortral Tablets 25 mg	Glemony Balsam (Baldwin's)
Fortral Tablets 50 mg	Glenco Elixir
Fortris Solution	Gluca-Seltzer Effervescent Powder
Fosfor Syrup	Glucodin
Franol Expectorant	Glutafin Gluten-Free Chocolate Chip Cookies
Franolyn Sed Liquid	Glutafin Gluten-Free Custard Cream Biscuits
Frisium Capsules 5 mg	Glutafin Gluten-Free Gingernut Cookies
Frisium Capsules 10 mg	Glutafin Gluten-Free Milk Chocolate Biscuits
Frisium Capsules 20 mg	Glutafin Gluten-Free Milk Chocolate Digestive Biscuits
FSC Betaine HCL Capsules	Glutafin Gluten-Free Shortcake Biscuits
FSC Beta Plus Capsules	Glutano Gluten-Free Chocolate Hazelnut Wafer Bar
FSC Evening Primrose Oil + Vitamin E Cream	Glutano Gluten-Free Muesli
FSC Lactobacillus Acidophilus Capsules	Glutano Gluten-Free Pretzel
FSC Multivitamin Adlife For Over 50s Capsules	Glutano Gluten-Free Wafer
FSC Natural Vitamin E Capsules	Glutano Gluten-Free Wafer, Cream Filled
FSC Organic Linseed Oil Capsules	Glycerin Honey & Lemon Cough Mixture (Isola)
FSC Super B-Supreme High-Potency Tablets	Glycerin Honey & Lemon Linctus (Boots)
FSC Super Calcium 200mg + Vitamin A & D Tablets	Glycerin Honey & Lemon Linctus with Ipecacuanha (Boots)
FSC Vitamin B6 Tablets	Glycerin Lemon & Honey and Ipecacuanha (Thomas Guest)
FSC Vitamin D 400u	Glycerin Lemon & Honey Linctus (Rusco)
Fybranta Tablets	Glycerin Lemon & Honey Syrup (Cupal)
Fynnon Calcium Aspirin Tablets	Glycerin Lemon & Honey Syrup (Thomas Guest)
Fynnon Salt	Glycerin Lemon & Honey Syrup (Waterhouse)
	Glycerin Lemon & Ipecacuanha Cough Mixture (Isola)
G Brand Linctus	Glykola Infants Elixir
Galake Tablets	Glykola Tonic
Gale's Honey	Glymiel Hand Care
Galfer-Vit Capsules	Goat's Milk Spray Dried Powder
Galloway's Baby Cough Linctus	Goddard's White Oils Embrocation
Galloway's Bronchial Cough Care	Golden Age Vitamin & Mineral Capsules
Galloway's Bronchial Expectorant	Golden Health Feverfew Tablets
Galloway's Cough Syrup	Golden Health Super Sea Kelp Tablets
Gammolin Capsules	Golden Health Tablets (Kerbina)
Gamophase Gamolenic Acid Capsules	Golden Health Tablets (Brome & Schimmer)
Gamophen	Gon Tablets
Gastalar Tablets	Gonfalcon Tablets
Gastric Ulcer Tablets No 1001	Grangewood Insomnia Tablets
Gastrils Pastilles	Granogen
Gastritabs	Granose Liquid Soya Milk
Gastrovite Tablets	Granose Soya Yogert
Gatinar Syrup	Granoton Emulsion
Gaviscon Granules	Gratis Gluten-Free Tricolour Pasta
Gaviscon 250 Tablets	Gregovite C Tablets
Gelusil Lac Powder	GS Tablets
Gelusil Tablets	Guaiphenesin Syrup (any strength)
Genasprin Tablets	Guanor Expectorant
Genatosan	Gynovite Plus Nutritional Supplement Tablets
Gentian Acid Mixture with Nux Vomica	
Gentian Alkaline Mixture with Nux Vomica	
Gentian & Rhubarb Mixture BPC	
Georges Vapour Rub Ointment	
Gericaps Capsules	
Gericare Multivitamin & Mineral Capsules	

**DRUGS AND OTHER SUBSTANCES NOT TO BE PRESCRIBED UNDER THE NHS  
PHARMACEUTICAL SERVICES**

H-Pantoten Tablets	Healthcrafts Prolonged Release Nutrition Mega-B6 Tablets
Hactos Chest & Cough Mixture (Thomas Hubert)	Healthcrafts Prolonged Release Nutrition Mega B-Complex Tablets
Halaurant Syrup	Healthcrafts Prolonged Release Nutrition Mega C 1500 Tablets
Halcion Tablets 0.125 mg	Healthcrafts Prolonged Release Nutrition Mega Multis Tablets
Halcion Tablets 0.25 mg	Healthcrafts Vitamin E Capsules
Haliborange Syrup	Healthcrafts Vitamin E Capsules High-Potency
Haliborange Tablets	Healthcrafts Vitamin E Capsules Mega
Halibut Liver Oil A & D Capsules (Rodale)	Healthcrafts Vitamin E Capsules Super
Halibut Oil A & D Capsules (GR Lane Health Products)	Healthcrafts Vitamin E Natural Oil
Halin Tablets	Healthcrafts Vitamin E One-A-Day Capsules
Halocaps Inhalant Capsules	Healthcrafts Zinc One-A-Day Capsules
Halycitrol Emulsion	Healtheries Rice Crispbread
Harvestime Malt Extract with Cod Liver Oil and Butterscotch	Healthilife Dolomite Tablets 60mg
Hayphryn Nasal Spray	Healthilife Halibut Oil Capsules
HC45 Cream	Healthilife Rutin Tablets 60mg
Head and Shoulders Shampoo	Healthilife Sunflower Seed Oil Capsules 500 mg
Health Aid Children's Multivitamin + Mineral Tablets	Healthilife Vitamin A Capsules
Health Aid DL-Phenylalanine Tablets 500mg	Healthilife Vitamin E Soya Free Capsules
Health Aid Dolomite Tablets	Healthilife Wild Sea Kelp Tablets 300mg
Health Aid Eczema Oil	Healthlink High Zinc + Manganese Formula 1 Capsules
Health Aid EPO Forte Capsules 1000mg	Healthlink Loosemore Herbal Capsules
Health Aid Halibut Liver Oil Capsules	Healthlink Magnesium Acetate Capsules
Health Aid Magnesium & Calcium Tablets	Healthlink Psyllium Husks
Health Aid Multivitamins & Minerals Tablets	Health Perception Glucosamine Tablets
Health Aid Super Cod Liver Oil Capsules	Health + Plus Absorb Plus Capsules
Health Aid Super Lecithin Capsules	Health + Plus Absorb Plus Tablets
Health Aid Vitamin A Capsules	Health + Plus Chromium GTF & B3 Tablets
Health Aid Vitamin A + D Capsules	Health + Plus Complex B Tablets
Health Aid Vitamin B6 Tablets Prolonged Release	Health + Plus Co-Q Plus Tablets
Health Aid Vitamin B Complex Supreme Tablets	Health + Plus Dolomite + D Tablets
Health Aid Vitamin C Tablets	Health + Plus E500 Tablets
Health Aid Vitamin E Capsules	Health + Plus Immunade Tablets
Health Aid Vitamin E Cream	Health + Plus Multiminerals Tablets
Health Aid Vitamin E Hand and Body Lotion	Health + Plus Multivite Tablets
Health Aid Vitamin E Natural Capsules	Health + Plus Nutrient Pack, Metabolic Pack
Health Aid Vitamin E Oil	Health + Plus Pregnancy Pack
Health Aid Zinc Sulphate Tablets 200mg	Health + Plus Selenium Tablets 50mcg
Health Aid Zinc Tablets 10mg	Health + Plus Super B6 + Zinc Tablets
Healthaid Glucosamine Sulphate Tablets	Health + Plus Super C1000 Tablets + Bioflavour
Healthcrafts Aminocheil Calcium Tablets	Health + Plus Supercholine Tablets
Healthcrafts Aminocheil Chelated Magnesium Tablets	Health + Plus Vitamin E Capsules High-Potency
Healthcrafts Aminocheil Zinc Tablets 1.3mg	Health + Plus VV Pack
Healthcrafts Aminocheil Zinc Tablets 5mg	Health + Plus Ziman Plus (Manganese & Zinc) Tablets
Healthcrafts Arteroil Tablets	Health Salts (Wicker Herbal Stores)
Healthcrafts Betacarotene Capsules	Health Tonic Mixture (Hall's)
Healthcrafts Brewers Yeast Tablets	Healthwise Halibut Oil Capsules
Healthcrafts Calcium + Vitamin D Chewable Tablets	Healthwise Vitamin E Capsules
Healthcrafts Calcium Chewable Tablets	Heart Shape Indigestion Tablets
Healthcrafts Calcium Pantothenate Super Tablets	Heath & Heather Feverfew Tablets
Healthcrafts Cod Liver Oil Capsules	Heath & Heather Garlic Perles (Odourless)
Healthcrafts Cod Liver Oil Complete Tablets	Hedamol Capsules
Healthcrafts Dolomite Tablets 500mg	Hedex Extra Caplets
Healthcrafts EPA Forte Capsules	Hedex Plus Capsules
Healthcrafts High Strength Starflower Oil	Hedex Seltzer Granules
Healthcrafts Kelp Tablets	Hedex Soluble Granules
Healthcrafts Lecithin Capsules	Hedex Tablets
Healthcrafts Multivitamin Chewable Tablets	Heinz Weight Watcher Baked Beans
Healthcrafts Multivitamin + Iron & Calcium Tablets	Hemingways Catarrh Syrup
Healthcrafts Natural Vitamin C 1g Tablets (High Potency)	



**DRUGS AND OTHER SUBSTANCES NOT TO BE PRESCRIBED UNDER THE NHS  
PHARMACEUTICAL SERVICES**

Hemoplex Injection	Imarale Omode Suspension
Hepacon B12 Injection	Imedeem Skin Regenerating Tablets
Hepacon B-Forte Injection	Imedeem Tablets
Hepacon Liver Extract Injection	Imodium Capsules Pharmacy Packs 8 and 12 Capsules
Hepacon-Plex	Imortal
Hepanorm Tablets	Imuderm Body Wash
Herbal Aperient Tablets (Cathay)	Imuderm Hand & Face Wash
Herbal Aperient Tablets (Kerbina)	Imuderm Shower Gel
Herbal Bronchial Cough Tablets (English Grains)	Inabrin Tablets 200 mg
Herbal Laboratories Feverfew Tablets	Indian Brandy Solution
Herbal Laxative Naturtabs	Indigestion Mixture (Boots)
Herbal Pile Tablets	Indigestion Mixture (Thornton & Ross)
Herbal Quiet Nite Sleep Naturtabs	Indigestion Mixture (William Ransom)
Herbal Syrup (Baldwin's)	Indigo Indigestion Lozenges
Herbalene Herbs	Infacare Baby Bath
Hermesetas (blue)	Infaderm Baby Bath
Hermesetas Gold	Infaderm Baby Cream
Hermesetas Light	Infaderm Baby Hair Wash
Hermesetas Liquid Sweetener	Infaderm Baby Lotion
Hermesetas Sprinkle Sweet	Influenza and Cold Mixture 2315 (Wright Layman & Umney)
Hexidin Solution	Inhalit Liquid Inhalation
Hi-g-ah Tea	Innoxia Concealing Cream
Higher Nature Paraclear Capsules	Innoxia Creme Satin Foundation
Hi-pro Liver Tablets	Innoxia Finishing Touch Loose Powder
Hill's Adult Balsam	Innoxia Foundation
Hill's Balsam Children's Mixture for Chesty Coughs	Innoxia Moisturised Liquid Make-up
Hip C Rose Hip Syrup	Innoxia Sensitive/Dry Range: Enriched Moisture Cream
Hismanal Tablets 10-tablet pack	Innoxia Sensitive/Normal Range: Creamy Moisturiser
Histalix Expectorant	Innoxia Young Solution Spot Gel
Hofels Cardiomax Garlic Pearles	Inoven Caplets
Hofels Garlic Pearles	Iodinated Glycerol Elixir 60 mg/ 5 ml
Hofels One-A-Day Garlic Pearles	Iodised Vitamin Capsules
Hofels One-A-Day Neo Garlic Pearles	Iodo-Ephedrine Mixture
Honey & Molasses Cough Mixture (Lane Health Products)	Ionax Scrub
Hot Blackcurrant Cold Remedy (Beechams)	Ipecacuanha Pills 20 mg
Hot Lemon Cold Remedy (Beechams)	Ipecacuanha & Morphine Mixture BP
Hot Lemon Cold Treatment (Scott & Bowne)	Ipecacuanha & Squill Linctus Paediatric BPC
Hot Measure Solution (Reckitt & Colman)	Ipsel Hygienic Babysalve
Hydrex Hand Rub	Irofol C
Hydrocare Boiling/Rinsing Solution	Iron & Brewers Yeast Tablets (3M Health Care)
Hydrocare Cleaning and Soaking Solution	Iron & Vitamin Tablets (Davidson)
Hydrocare Preserved Saline Solution	Iron Formula Tablets (Rodale)
Hydrocare Protein Remover Tablets	Iron Jelloids Tablets
Hydroclean Solution	Iron Tonic Tablets (Boots)
Hydron Europe Cleaning Solution	Ironorm Capsules
Hydron Europe Comfort Soaking Solution	Ironorm Tonic
Hydron Europe Solusal	Ironplan Capsules
Hydron Europe Solution Comfort	Isoaminile Linctus
Hydrosoak Disinfecting and Soaking Solution	Isocal
Hydrosol Comfort Solution	Ivy Tablets (Ayrton Saunders)
Hymosa Vitamin E Cream	
Hypomultiple Capsules	
Hypon Tablets	
Iberet 500 Tablets	Jaap's Health Salts
Iberol Tablets	Jacksons All Fours Cough Mixture
Ibrufthalal Tablets	Jacksons Febrifuge
ICC Analgesic Tablets	Jambomins Tablets
Idoloba Tablets	Jenners Suspension
Iliadin Mini Nasal Drops	Jenners Tablets
Iliadin Mini Paediatric Nasal Drops	Jochem Hormone Hair Preparation
Imarale Agba Suspension	Johnson & Johnson Baby Bath

**DRUGS AND OTHER SUBSTANCES NOT TO BE PRESCRIBED UNDER THE NHS  
PHARMACEUTICAL SERVICES**

Johnson & Johnson Baby Cream	Lactaid Lactase enzyme for milk drops
Johnson & Johnson Baby Lotion	Lactaid Lactase enzyme tablets
Johnson & Johnson Baby Oil	Lactaid Lactose reduced, skimmed and whole milk UHT
Johnson & Johnson Baby Powder	Lacto Calamine
Johnson & Johnson Baby Shampoo	Ladycare No 2 (Menopausal) Tablets
Johnson & Johnson Baby Sunblock Stick	Laevoral
Johnson & Johnson Prickly Heat Powder	Lamberts Acidophilus Extra Capsules
Jolen Creme Bleach	Lamberts Bee Propolis Tablets
Jordans Crunchy Bar	Lamberts Beta Carotene Capsules
Junamac	Lamberts Betaine HCL/Pepsin Tablets
Jung Junipah Tablets	Lamberts Betasec Tablets
Jungle Formula Insect Repellent Gel	Lamberts Betasec Timed Release Antioxidant Tablets
Jungle Formula Insect Repellent Pump Spray	Lamberts Calcium Extra Tablets
Junior Cabdrivers Linctus	Lamberts Calcium/Magnesium Balance Capsules
Junior Disprin Tablets	Lamberts Calcium & Magnesium Chelates Tablets
Junior Disprol Tablets	Lamberts Calcium 500/Magnesium 250 Amino Acid Chelated Tablets
Junior Ex-Lax Chocolate Tablets	Lamberts Calcium/Magnesium/Zinc Orotates Capsules
Junior Lemsip Powder	Lamberts Caprylic Acid Tablets
Junior Meltus Cough & Catarrh Linctus	Lamberts Chelating Mega Mineral Complex Tablets
Junior Mucron Liquid	Lamberts Co-Enzyme Q10 Capsules
Junior Paraclear Tablets	Lamberts DLPA Complex + Vitamin B & C Capsules
Junior Tablets (Rodale)	Lamberts Dolomite Tablets
Juno-Junipah Mineral Salts	Lamberts Enzygest Capsules
Juvel Elixir	Lamberts EPA Marine Lipid Concentrate Capsules
Juvel Tablets	Lamberts Evening Primrose Oil 250 mg Capsules
Juvela Gluten-Free Mince Pies	Lamberts Evening Primrose Oil 500 mg Capsules
Juvela Gluten-Free Sage & Onion Stuffing Mix	Lamberts Evening Primrose Oil 1000 mg Capsules
Juvela Low-Protein Savoury Snack	Lamberts Gentle Vitamin C Tablets
Kamillosan Baby Cleansing Bar	Lamberts Ginkgo Biloba Extract Tablets
K'An Herbal Preparations	Lamberts Glucosamine Sulphate Tablets
Kaodene Suspension	Lamberts GTF Chromium Capsules
Kaopectate	Lamberts Health Insurance Plus Tablets
Karvol Capsules	Lamberts High Potency EPA Capsules
Kelsoak 2 Solution	Lamberts L-Carnitine Capsules
Kelvinol 2 Wetting Solution	Lamberts L-Carnitine Tablets
Kenco Instant Decaffeinated Coffee	Lamberts L-Glutamic Acid Powder
Kendales Adult Cough Syrup	Lamberts L-Glutamine Capsules
Kendales Cherry Linctus	Lamberts L-Glutathione Complex Capsules
Kentogam Gamolenic Acid Capsules	Lamberts L-Histidine HCL Capsules
Kest Tablets	Lamberts L-Isoleucine Capsules
Ketazolam Capsules 15 mg	Lamberts L-Leucine Capsules
Ketazolam Capsules 30 mg	Lamberts L-Threonine 500mg Capsules
Ketazolam Capsules 45 mg	Lamberts Magnesium Amino Acid Chelated Tablets
Keybells Linctus of Glycerine, Lemon & Ipecacuanha	Lamberts Magnesium Orotate Capsules
Kingo Cough Syrup	Lamberts Magnesium Sustained Release Tablets
Koladex Tablets	Lamberts Magnesium Sustained Release Timed Release Tablets
Kolanticon Tablets	Lamberts Mega Mineral Compound Tablets
Kolanticon Wafers	Lamberts Mega 3 Vitamins/Minerals Tablets
Kolantyl Gel	Lamberts Multi-Max Tablets
Kolorex Capsules	Lamberts Natural Vitamin E Capsules
Kolynos Denture Fixative	Lamberts One Daily Vitamin/Mineral Tablets
Krauses Cough Linctus	Lamberts Playfair Tablets
Kruschen Salts	Lamberts PMT Supplement Optivite Tablets
Kuralax Herbs	Lamberts Protein Deficiency Formula Capsules
Kwai Garlic Tablets	Lamberts Protein Deficiency Formula Powder
Kylie Skin Guard	Lamberts Pycnogenol Capsules
Labiton Kola Tonic	Lamberts Pyridoxal-5-Phosphate Capsules
Laboprin Tablets	Lamberts Pyridoxal-5-Phosphate Plus Capsules
Lac Bismuth Mixture	Lamberts Selenium Capsules

**DRUGS AND OTHER SUBSTANCES NOT TO BE PRESCRIBED UNDER THE NHS  
PHARMACEUTICAL SERVICES**

Lamberts Selenium Tablets	Lemon Glycerine & Ipecac Cough Syrup Compound (Carter Bond)
Lamberts Senior Capsules	Lemon Juice, Glycerine & Honey A S Syrup (Ayrton Saunders)
Lamberts Super Acidophilus Plus Capsules	Lemon Linctus 1-472
Lamberts Taurine Capsules	Lem-Plus Capsules
Lamberts Ultra Detoxifying Capsules	Lem-Plus Hot Lemon Drink
Lamberts Vitamin B-50 Complex Capsules	Lemsip Expectorant
Lamberts Vitamin B-50 Complex Tablets	Lemsip Flu Strength
Lamberts Vitamin B-100 Complex Tablets	Lemsip Lemcaps Cold Relief Capsules
Lamberts Vitamin C Ascorbic Acid & Calcium Ascorbate Crystals	Lemsip Linctus
Lamberts Vitamin C Ascorbic Acid Powder	Lemsip Flu Strength Night Time Formula
Lamberts Vitamin C & Bioflav Tablets	Lemsip Powder
Lamberts Vitamin C Calcium Ascorbate Crystals	Lendormin Tablets 0.125 mg
Lamberts Vitamin C-Time Bioflav Timed-Release Tablets	Lendormin Tablets 0.25 mg
Lamberts Vitamin E 200 D-Alpha Tablets	Lensept Solution
Lamberts Vitamin E 200 D-Alpha/Selenium Tablets	Lensine 5 All in One Solution
Lamberts Vitamin E 400 D-Alpha/Selenium Tablets	Lensplus Sterile Saline Spray
Lamberts Vitamin/Mineral Compound Tablets	Lensrins Solution
Lamberts Zinc Citrus Capsules	Leoren Tonic Tablets
Lamberts Zinc Gluconate Tablets	Lexotan Tablets 1.5 mg
Lamberts Zinc Tablets	Lexotan Tablets 3 mg
Lanacane Cream	Lexotan Tablets 6 mg
Lanacort Cream	Libraxin Tablets
Lanacort Ointment	Librium Capsules 5 mg
Lance B & C Tablets	Librium Capsules 10 mg
Lancome Nutrix Cream	Librium Tablets 5 mg
Lane's Cut-a-Cough	Librium Tablets 10 mg
Lane's Laxative Herb Tablets	Librium Tablets 25 mg
Lane's Sage and Garlic Catarrh Remedy	Librofem Tablets
Lanes Glanolin Capsules 250/500	Lifeplan Acidophilus Capsules
Lanes Lecigran Granules	Lifeplan Boron 3 Tablets
Lantigen B	Lifeplan Cod Liver Oil One-A-Day Capsules
Larkhall Acidophilus 500 Tablets	Lifeplan DL-Phenylalanine (DLPA) Tablets 500
Larkhall B13 Zinc Tablets	Lifeplan Dolomite Tablets 500mg
Larkhall Beta Carotene Capsules	Lifeplan Dolomite Tablets 800mg
Larkhall Calcimega 500 Tablets	Lifeplan Dolomite (Natural) Tablets
Larkhall DLPA 375 Tablets	Lifeplan Super Galanol Starflower Capsules
Larkhall Dolomite Tablets	Lifeplan Vitamin B6 Tablets
Larkhall Folic Acid Tablets 100mcg	Lightning Cough Remedy Solution (Potters)
Larkhall Folic Acid Tablets 500mcg	Limbitrol Capsules "5"
Larkhall L-Carnitine Capsules	Limbitrol Capsules "10"
Larkhall Magnesium Orotate B13 Tablets	Linctified Expectorant
Larkhall Selenium Supplement Tablets	Linctified Expectorant Paediatric
Larkhall Vitamin C Naturtabs 1000mg Buffered	Linctoid C
Lavender Bath	Linituss
Laxaliver Pills	Linoleic Acid
Laxatabs Leoren	Linus Vitamin C Powder
Laxipurg Tablets	Lipoflavonoid Capsules
Laxoberal Elixir	Lipotriad Capsules
LC 65 Cleaning Solution	Lipotriad Liquid
Lecithin Capsules	Liqufruta Blackcurrant Cough Medicine
Ledercort Cream	Liqufruta Honey & Lemon Cough Medicine
Lederplex Capsules	Liqufruta Medica
Lederplex Liquid	Liqufruta Medica Garlic Flavoured Cough Medicine
Lejfibre Biscuit	Liquid Formula (Food Concentrate) (Rodale)
Lemeze Cough Syrup	Liquid Paraffin & Phenolphthalein Emulsion BP
Lemon Eno Powder	Liquid Paraffin Emulsion with Cascara BPC
Lemon Flu-Cold Concentrated Syrup	Liquifilm Wetting Solution
Lemon Glycerine & Honey Cough Syrup Compound (Carter Bond)	Listerine Antiseptic Mouthwash
Lemon Glycerine & Honey Lung Mixture (Whitehall Laboratories)	Listermint Mouthwash
	Liver Herbs (Hall's)
	Libron Mixture
	Lloyds Cream (Odour Free)

**DRUGS AND OTHER SUBSTANCES NOT TO BE PRESCRIBED UNDER THE NHS  
PHARMACEUTICAL SERVICES**

Lloyds Heat Spray	Medazepam Capsules 5 mg
Loasid Tablets	Medazepam Capsules 10 mg
Lobak Tablets	Medex Elixir
Lofthouse's Original Fisherman's Friend Honey	Mediclean Soft Lens Solutions
Cough Syrup	Medilax Tablets
Logado	Medinol Over 6 Paracetamol Oral Suspension
London Herb and Spice Herbal Tea Bags	Medinol Under 6 Paracetamol Junior Suspension
Loramet Capsules 1 mg	Medipain Tablets
Loramet Tablets 0.5 mg	Medised Suspension
Loramet Tablets 1 mg	Medised Tablets
Lotil Facial Cream	Medisoak Soft Lens Solution
Lotussin Cough Syrup	Meditus Syrup
L-Threonine Capsules	Medocodene Tablets
L-Threonine Tablets	Meggeson Dyspepsia Tablets
Lucozade	Melissin Syrup
Luma Bath Salts	Melo Brand Glycerin Lemon & Honey with Ipecac
Lung Balsam (Rusco)	Meloids Lozenges
Lyons Ground Coffee Beans	Meltus Adult Dry Cough Elixir
Lypsyl Lemon	Meltus Adult Expectorant
Lypsyl Mint	Meltus Baby Cough Linctus
Lypsyl Original	Meltus Honey and Lemon Cough Linctus
Lysaldin	Meltus Junior Expectorant
	Memo Boost Capsules
	Menopace Capsules
	Menthacol Liquid
	Menthells Pellet/Pill
M & B Children's Cough Linctus	Menthol & Benzoin Inhalation BP
MA4 Herbal Fruit Concentrate Paste	Menthol & Eucalyptus (M in P) Pastilles (Thomas Guest)
MA572 Tablets	Menthol Inhalation
Maalox Concentrate Suspension	Mentholated Balsam (Loveridge)
Maalox Plus Tablets	Mentholated Balsam (Savory & Moore)
Mackenzies Smelling Salts	Mentholated Balsam (Wright Laymen & Umney)
Maclean Indigestion Powder	Mentholated Balsam Mixture (Pilsworth Manufacturing)
Maclean Indigestion Tablets	Mentholatum Balm
Macleans Toothpaste	Mentholatum Deep Freeze Spray
Magaldrate Tablets	Mentholatum Deep Heat Massage Liniment
Magnesium Citrus Tru-Fil Capsules	Mentholatum Deep Heat Maximum Strength Rub
Magnesium Glycerophos Tablets	Mentholatum Deep Heat Rub
Magnesium OK Tablets	Mentholatum Nasal Inhaler
Mainstay Pure Cod Liver Oil	Mercurochrome Solution
Male Gland Double Strength Supplement Tablets	Metatone
Male Sex Hormone Tablets (Diopharm)	Micaveen
Malinal Plus Tablets	Midro-Tea Powder
Malinal Suspension 500 mg/5 ml	Migrafen Tablets
Malinal Tablets 500 mg	Mijex Cream
Malt Extract with Cod Liver Oil & Chemical Food (Distillers)	Milgard Baby Cleansing Milk
Malt Extract with Cod Liver Oil BPC & Hypophosphites (Distillers)	Milk of Magnesia Tablets
Malt Extract with Cod Liver Oil BPC Soft Extract (Jeffreys Miller)	Mil-Par Suspension
Malt Extract with Haemoglobin & Vitamins Syrup (Distillers)	Milton Sterilising Tablets
Malt Extract with Halibut Liver-Oil Syrup (Distillers)	Milumil Baby Milk
Malvern Water	Milupa 7 Cereal Breakfast
Mandarin Tablets	Milupa Aptamil Baby Milk
Manna Herbal Rheumapainaway Tablets	Milupa Braised Steak & Vegetable Infant Food
Marly Skin	Milupa Camomile Infant Drink
Marvel	Milupa Cauliflower Cheese Special Infant Food
Matthew Cough Mixture	Milupa Country Chicken & Vegetable Casserole
Maturaplus Tablets	Milupa Fennel Variety Infant Drink
Maws Sterilising Tablets	Milupa Forward Follow-On Milk
Max Factor Face Powder	Milupa Harvest Muesli Breakfast
Max Factor Pan-Stik	Milupa Infant Dessert, Banana & Apple Yoghurt
Maxivits Tablets	Milupa Infant Dessert, Caribbean Fruit
Medathlon Aspirin Tablets 300 mg	Milupa Infant Dessert, Semolina & Honey

**DRUGS AND OTHER SUBSTANCES NOT TO BE PRESCRIBED UNDER THE NHS  
PHARMACEUTICAL SERVICES**

Milupa Infant Tea-Time, Cheese & Tomato	Natural Bran
Milupa Modified Yoghurt	Natural Flow Acidophilus Capsules
Milupa Special Formula HN25	Natural Flow Amino Acid Complex Capsules
Milupa Sunshine Orange Breakfast	Natural Flow Animal Fun Children's Chewable Tablets
Milupa Vegetable Hotpot Infant Food	Natural Flow Boron + Calcium & Silica Tablets
Minadex Chewable Vitamin Tablets	Natural Flow Calcium Ascorbate Tablets
Minadex Syrup	Natural Flow Calcium & Magnesium Chelated Tablets
Minamino Syrup	Natural Flow Candiforte Capsules
Minivits Tablets	Natural Flow Digestive Enzyme Compound Tablets
Minoxidil Cream	Natural Flow Dolomite + A & D Tablets
Minoxidil Lotion	Natural Flow Mega B Complex Tablets
Minoxidil Ointment	Natural Flow Mega Multi Tablets
Minoxidil Solution (for external use)	Natural Flow Multimineral Tablets
Mira Flow Cleaning Solution	Natural Flow Organic Germanium Capsules
Mira Flow Soft Lens Solution	Natural Flow Primedophilus Powder
Mira Soak Lens Soaking Solution	Natural Flow Probiion Bifidus Powder
Mira Sol Soft Lens Solution	Natural Flow Probiion Tablets
Mitchell's Wool Fat Soap	Natural Flow Psyllium Husks
Modifast Nutritionally Complete Supplemented Fasting Formula	Natural Flow Psyllium Husk Capsules
Mogadon Capsules 5 mg	Natural Flow Selenium Chelated Tablets
Mogadon Tablets 5 mg	Natural Flow Selenium Tablets
Moorland Indigestion Tablets	Natural Flow Super Vitamin C Complex Tablets
Morning Glory Tablets	Natural Flow Super Vitamin C Tablets
Morny Lavender Talc	Natural Flow Tangerine C Chewable Tablets
Mosquito Milk Mosquito Repellent Tropical Formula	Natural Flow Thiamin Tablets (Vitamin B1)
Mrs Cullen's Lemsoothe Powder	Natural Flow Vega Mins Tablets
Mrs Cullen's Powders	Natural Flow Vitamin A Tablets
Mucofalk Sachets	Natural Flow Vitamin C Powder
Mucoclex Syrup	Natural Flow Zinc Chelated Tablets
Mucoclex Tablets	Natural Herb Laxative Tablets (Brome & Schimmer)
Mu-Cron Junior Syrup	Natural Herb Laxative Tablets (Kerbina)
Mu-Cron Tablets	Natural Herb Tablets (Dorwest)
Mucron Liquid	Natural Herb Tablets (Kerbina)
Muflin Linctus	Natural Herb Tablets (Lane)
Multi-Vitamin Tablets (English Grains)	Naturavite Tablets
Multivitamin Capsules (Regent Laboratories)	Nature's Aid Co-Enzyme Q-10 Capsules
Multivitamin Tablets (Approved Prescription Services)	Nature's Own Acidophilus Plus Capsules (Supreme)
Multivitamin Tablets (Chemipharm)	Nature's Own Betacarotene Capsules
Multivitamin Tablets (Evans Medical)	Nature's Own Beta Carotene tablets
Multivitamin Tablets (UAC International)	Nature's Own Calcium Orotate Tablets
Multivitamin with Mineral Capsules (Potters)	Nature's Own Dolomite Tablets
Multivitamin with Minerals Tablets (Chemipharm)	Nature's Own Dolomite-Calcium Carbonate Magnesium Carbonate Tablets
Multivite Pellets	Nature's Own Food State Beta Carotene Tablets
Multone Tablets	Nature's Own Food State Calcium Tablets
My Baby Cough Syrup	Nature's Own Food State "Euro Formula" Vitamin B Complex + Vitamin C & Magnesium Tablets
Mycocidin Perles	Nature's Own Food State Magnesium Tablets
Mycolactine Tablets	Nature's Own Food State Selenium Tablets
Mylanta Liquid	Nature's Own Food State Vitamin B6 (Pyridox) Tablets
Mylanta Tablets	Nature's Own Food State Vitamin C Tablets
Myolgin Tablets	Nature's Own Food State Vitamin E 300 Tablets
N Tonic Syrup (Cupal)	Nature's Own Food State Zinc/Copper Tablets
N-300 Capsules	Nature's Own Multi-Vitamin Tablets
Nair Depilatory Cream	Nature's Own Vitamin B Complex Plus Tablets High Potency
Nanny Goat's Milk Infant Formula	Nature's Own Vitamin B6 (Pyridox) Tablets
Napca Skin Lotion	Nature's Own Vitamin C Ascorbic Acid Powder
Napisan Nappy Treatment	Nature's Own Vitamin C as Calcium Ascorbate Tablets
Napolooids Tablets	
Napsalgesic Tablets	
Nasal Drops for Children (Boots)	
Natex 12A Tablets	

**DRUGS AND OTHER SUBSTANCES NOT TO BE PRESCRIBED UNDER THE NHS  
PHARMACEUTICAL SERVICES**

Nature's Own Vitamin C (as Sodium Ascorbate) Tablets	Nobrium Capsules 10 mg
Nature's Own Vitamin C with Bioflavonoids	Nocold Tablets
Nature's Own Vitamin E 100 Capsules	Noctamid Tablets 0.5 mg
Nature's Own Vitamin E 100 Emulsifying Capsules	Noctamid Tablets 1 mg
Nature's Own Vitamin E 200 Capsules	Noctesed Tablets 5 mg
Nature's Own Zinc Orotates	Noradran Bronchial Syrup
Nature's Plus Calcium/Magnesium Tablets	Norgesic Tablets
Nature's Plus Green Magma Powder	Normax Capsules
Nature's Plus Liquid B Complex & Iron	Normison Capsules 10 mg
Nature's Plus Mega C Tablets	Normison Capsules 20 mg
Nature's Plus Rutin Tablets 500mg	Norvits Syrup
Nature's Plus Super B50 Capsules	Noscapine Linctus BP
Naturtabs Choline	Nourkrin Tablets
Naturtabs Nicotinamide	Novaprin Tablets
Naturtabs Nicotinic Acid	Novasil Antacid Tablets
Naturtabs Paba	Novasil Antacid Viscous Suspension
Natusan Baby Ointment	Noxzema Medicated Skin Cream
Naudicelle	Nucross Coconut Oil
Nella Red Oil Liniment	Nulacin Tablets
Neo-Cytamen Injection 250 mcg/ml	Numark Multivitamin Tablets
Neo-Cytamen Injection 1000 mcg/ml	Nurodol Tablets
Neoklenz Powder	Nurofen Soluble Tablets
Neophryn Nasal Drops	Nurofen Tablets 200 mg
Neophryn Nasal Spray	Nurse Sykes Bronchial Balsam
Nescafe Instant Coffee	Nurse Sykes Powders
Nestle Nativa HA	Nu-Soft Baby Oil
Nethaprin Expectorant	Nutricare Beta Carotene Capsules
Neuro Phosphates	Nutricare Capricin Capsules
Neurodyne Capsules	Nutricare Selenium Tablets
Neuradol Concentrated Air Deodoriser	Nutricare Vitamin C Tablets
Neuradonna Powder	Nutricare Zinc Orotate Tablets
Neuradonna Sed Powder	NutriTec Vitamin Mineral Complex Food Supplement
Neuradonna Sed Tablets	Nutrition Associates Beta Carotene Capsules
Neuradonna Tablets	Nutrition Associates Reduced Glutathione Capsules
Neutrogena Body Oil (Scented and Unscented)	Nux Vomica Acid Mixture
Neutrogena Conditioner	Nux Vomica Alkaline Mixture
Neutrogena Hand Cream	Nux Vomica Elixir BPC
Neutrogena Lip Care	Nylax Tablets
Neutrogena Liquid	Nytol Tablets
Neutrogena Moisture	
Neutrogena Norwegian Formula Body Emulsion	
Neutrogena Rainbath Shower and Bath Gel	Octovit Tablets
Neutrogena Shampoo	Ocuvite Multivitamin & Mineral Tablets
Neutrogena Soap	Oilatum Bar
Neutrogena Sun Care Lotion SPF 14	Oilatum Soap
Neutrolactis Tablets	Oibas Oil
New Formula Beechams Powders Capsules	Omeiri Iron Tonic Tablets
New Life Herbs	Omilcaf Suspension
New Life Tablets	Onadox 118 Tablets
Newton's Children's Cough Treatment	One Gram C Capsule
Newton's Cough Mixture for Adults	Opas Powder
Nezcaam Syrup	Opas Tablets
Nezeril Nose Drops (single dose pipette)	Opobly Bailly Pills
Nicobrevin	Optivite Tablets
Niferex 150 Capsules	Oral B Plaque Check Disclosing Tablets
Nilbite	Orange & Halibut Vitamins (Kirby Warrick Pharmaceuticals)
Nirolex Expectorant Linctus	Organidin Elixir
Nitrados Tablets 5 mg	Organidin Solution
Nitrazepam Capsules 5 mg	Organidin Tablets
Nivea	Original Indigestion Tablets (Boots)
No 177 Tablets (Leoren)	Orovite 7
Nobacter Medicated Shaving Foam	Orovite Elixir
Nobrium Capsules 5 mg	

**DRUGS AND OTHER SUBSTANCES NOT TO BE PRESCRIBED UNDER THE NHS  
PHARMACEUTICAL SERVICES**

Orovite Tablets	Paracetamol DC Tablets
Orthocol Syrup	Paracetamol Tablets Soluble (Boots)
Osteocare Calcium & Magnesium Tablets	Paracetamol Tablets, Sorbitol Basis 500 mg
Ostermilk Complete Formula	Paracets Tablets 500 mg
Ostermilk Two Milk Powder	Paraclear Tablets
Osterprem	Paracodol Capsules
Otrivine Nasal Drops 0.05%	Paracodol Tablets
Otrivine Nasal Drops 0.1%	Paradeine R Tablets
Otrivine Nasal Spray 0.1%	Paragesic Effervescent Tablets
Otrivine-Antistatin Nasal Drops	Parahypon Tablets
Otrivine-Antistatin Nasal Spray	Parake Tablets
Overnight Bedtime Cold Medicine	Paralgin Tablets
Owbridge's Cough Mixture	Paramin Capsules
Oxamid Tablets 10 mg	Paramol Tablets
Oxamid Tablets 15 mg	Paranorm Cough Syrup
Oxamid Tablets 30 mg	Pardale Tablets
Oxy 5 Acne Lotion	Parenamps Intramuscular Injection
Oxy 10 Acne Lotion	Pastilaid's Pastilles
Oxy Clean Facial Wash Gel	Pavacol Cough Syrup
Oxy Clean Medicated Cleanser	Paxadon Tablets
Oxymetazoline Hydrochloride Nasal Drops 0.025%	Paxalgic Tablets
Oxymetazoline Hydrochloride Nasal Drops 0.05%	Paxidal Tablets
Oxymetazoline Hydrochloride Nasal Spray 0.05%	Paynocil Tablets
Oxysept 1 Disinfecting Solution	PEM Linctus
Oxysept 2 Rinsing, Neutralising and Storing Solution	Penetrol Inhalant
Ozium 500 Air Sanitizer	Pentazocine-Aspirin Compound Tablets
Ozium 1500 Air Sanitizer	Peplax Peppermint Flavoured Laxative Tablets
Ozium Air Sanitizer	Peppermint Indigestion Tablets (Boots)
Ozium 3000	Pepto-Bismol Suspension
	Perform 1 Disinfecting Solution
	Perform 2 Rinsing and Neutralising Solution
Pacidal Tablets	Pernivit Tablets
Pacifene Tablets	Perrier Mineral Water
Paedo-Sed Syrup	Persomnia Tablets
Pain Relief Tablets (Cox)	Pestroy Flea and Insect Powder
Pain Relief Tablets (Davidson)	Petrolagar Emulsion Plain
Paldesic Elixir	Petrolagar Emulsion with Phenolphthalein
Pameton Tablets	PF Plus Tablets
Panacron Nasal Spray	Pharmacin Capsules
Panacron Tablets	Pharmacin Effervescent Plus C Tablets
Panadeine Co Tablets	Pharmacin Effervescent Tablets 325 mg
Panadeine Forte Tablets	Pharmaton Capsules
Panadeine Soluble Effervescent Tablets	Pharmidone Tablets
Panadeine Tablets	Phenergan Compound Expectorant Linctus
Panadol Baby & Infant Suspension	Phenolphthalein Compound Pills BPC
Panadol Caplets	Phenolphthalein Compound Tablets BPC 1963
Panadol Extra Soluble Tablets	Phenolphthalein Tablets BP
Panadol Extra Tablets	Phensedyl Cough Linctus
Panadol Junior Sachets	Phensic Tablets
Panadol Soluble Tablets	Phensic 2 Tablets
Panadol Tablets	Phenylephrine Hydrochloride Nasal Drops 0.25%
Panaleve Junior	Phenylephrine Hydrochloride Nasal Spray 0.5%
Panaleve Six Plus Suspension	Phillips Brewers Yeast Tablets
Panasorb Tablets	Phillips Iron Tonic Tablets
Panax 600 Ginseng Tablets	Phillips Tonic Yeast Tablets
Panerel Tablets	Phillips' Toothpaste
Panets Tablets	Phisoderm
Pango Pain Paracetamol Codeine Tablets (Cupal)	Phisohex System Medicated Face Wash
Pantene Hair Tonic	pHiso-Med Solution
Papain Compound Tablets	Pholcolix Syrup
Paprika Tablets (Kerbina)	Pholcomed D Linctus
Para-Seltzer Effervescent Tablets	Pholcomed Diabetic Forte Linctus
Paracetamol & Caffeine Capsules	Pholcomed Expectorant
Paracetamol & Caffeine Tablets	Pholcomed Forte Linctus

**DRUGS AND OTHER SUBSTANCES NOT TO BE PRESCRIBED UNDER THE NHS  
PHARMACEUTICAL SERVICES**

Pholcomed Linctus	PP Tablets
Pholcomed Pastilles	PR Freeze Spray
Pholtex Syrup	PR Heat Spray
Pholtussa Mixture	PR Tablets
Phor Pain	Prazepam Tablets 10 mg
Phor Pain Double Strength	PRD 200 Tablets 600 mg
Phosferine Liquid	Preflex Solution
Phosferine Multi-Vitamin Liquid	Pregaine Shampoo
Phosferine Tablets	Pregnacare Capsules
Phygeine Liquid	Pregnadon Tablets
Phyllosan Tablets	Pregnavite Forte Tablets
Physeptone Linctus	Pregnavite Forte F Tablets
Pickles Nail Bite Lotion	Prematil with Milupan
PIL Food Capsules	Premence-28 Capsules
Pile Mixture (Ayrton Saunders)	Premit Tablets 20 mg
Pile Tablets (Ayrton Saunders)	Prenatal Dri-Kaps Capsules
Pine Bath Milk	Prenatol Anti Stretch Mark Cream
Pine Catarrh Drops Lozenges	Pre-Nutrison
Piriton Allergy	Primes Premiums Tablets
Piz Buin After Sun Lotion	Prioderm Cream Shampoo
Piz Buin After Sun Shower Gel	Priory Cleansing Herbs Powder
Piz Buin Children's Balm SPF 8	Probase 3 Cream
Piz Buin Cream Factor 12	Pro-Bifidus Powder (Dairy Free)
Piz Buin Creme factor 6	Procol Capsules
Piz Buin Creme factor 8	Proctofibre Tablets
Piz Buin Factor 4 Cold Air Protection Cream	Prodexin Tablets
Piz Buin Glacier Cream SPF 15	Pro-Dophilus Powder (Dairy Free)
Piz Buin Lip Protection Stick SPF 8	Proflex Capsules
Piz Buin Sun Allergy Lotion SPF 12	Proflex Tablets 200 mg
Piz Buin Sun Protection Lotion SPF 12	Progress Powder
Piz Buin SPF 6 Lotion	Propain Tablets
Piz Buin SPF 8 Lotion	Propecia
Plax Anti-Plaque Pre-Brushing Rinse	Pro-Plus He-Vite Elixir
Plenamin Super	Proteolised Liver Tablets
Plenivite with Iron Tablets	Protexin B Powder
Plriagel Soft Lens Solution	Protexin Natural Care Powder
Plurivite M Tablets	Protexin Natural Care Tablets
Plurivite Tablets	Pro-Vitamin A Capsules (Rodale)
Poli-grip Denture Fixative Cream	Pru Sen Tablet Bar
Pollen-Eze Tablets	Prymecare Tablets for Soft and and Gas Permeable Lenses
Polyalk Gel	Prymeclean Cleaning Solution for Soft Lenses
Polyalk Tablets	Prymesoak Soaking Solution for Soft Lenses
Polyvite Capsules	Pulmo Bailly Liquid
Porosis D Calcium Supplement Tablets	Purgoids Tablets
Potaba + 6 Capsules	Pyridoxine Tablets, Slow 100 mg
Potaba + 6 Tablets	
Potassium Bromide & Nux Vomica Mixture BPC 1963	Quest Balanced Ratio Cal-Mag Tablets
Potters Household Liniment	Quest Beta Carotene Tablets
Potters Nine Rubbing Oils	Quest Folic Acid with Vitamin B Capsules
Powdered Bran Tablets 2 g	Quest Gamma EPA Capsules 1000mg
Power Cranberry Juice Capsules	Quest Herbal Range Feverfew Formula Capsules
Power Cranberry Juice Concentrated Powder	Quest Improved Once-A-Day Tablets
Power Dolomite Tablets	Quest Kyolic 350 Tablets
Power Dophilus Capsules	Quest Mega B50 Tablets
Power Feverfew Capsules	Quest Mega B-100 Timed Release Tablets
Power GLA 65 (Borage Oil) Capsules	Quest Mega B Complex Plus 1000mg C Tablets
Power Halibut Liver Oil Capsules	Quest Multi B Complex Plus 500mg C Tablets
Power Kelp Tablets 500mg	Quest Multi C Complex Tablets
Power Nature Vitamin E Cream	Quest Non-Dairy Acidophilus Plus Capsules
Power Nutrimental 24 Tablets	Quest Once-A-Day Tablets
Power Plus Super Multivitamin and Mineral Capsules	Quest Super Mega B-50 Timed Release Tablets
Powerin Tablets	



**DRUGS AND OTHER SUBSTANCES NOT TO BE PRESCRIBED UNDER THE NHS  
PHARMACEUTICAL SERVICES**

Quest Super Mega B + C Tablets	Quest Super	Rheumavit Tablets
Once-A-Day Tablets		Rhuaka Herbal Syrup
Quest Super Once-A-Day Divided Dose Tablets		Rhuaka Tablets
Quest Synergistic Boron Tablets		Rhubarb & Soda Mixture Ammoniated BP
Quest Synergistic Iron Capsules		Rhubarb Compound Mixture BPC
Quest Synergistic Magnesium Tablets		Rhubarb Mixture Compound Paediatric BPC
Quest Synergistic Selenium Capsules		Ribena
Quest Synergistic Zinc Capsules		Riddovodyrin Liquid
Quest Vitamin C Tablets		Rinurel Linctus
Quest Vitamin C Tablets Sustained Release		Rinurel Tablets
Quest Vitamin E Capsules		Rite-Diet Egg White Replacer
Quick Action Cough Cure (Brian C Spencer)		Rite-Diet Gluten-Free Baking Powder
Quiet Life Tablets		Rite-Diet Gluten-Free Banana Cake
		Rite-Diet Gluten-Free Bourbon Biscuits
		Rite-Diet Gluten-Free Christmas Pudding
		Rite-Diet Gluten-Free Half Covered Chocolate Digestive Biscuits
		Rite-Diet Gluten-Free Coconut Cookies
Rabenhorst Tomato Juice		Rite-Diet Gluten-Free Date and Walnut Cake
Radian-B Mineral Bath Liquid		Rite-Diet Gluten-Free Gingernut Cookies
Radian-B Mineral Bath Salts		Rite-Diet Gluten-Free Muesli Cookies
Radian-B Muscle Lotion		Rite-Diet Gluten-Free Lemon Madeira Cake
Radian-B Muscle Rub		Rite-Diet Gluten-Free Rich Fruit Cake
Ralgex Cream		Rite-Diet Gluten-Free Wheat-Free Mince Pies
Ralgex Stick		Rite-Diet Hot Breakfast Cereal
Rappell Head Louse Repellent Pump Spray		Robaxisal Forte Tablets
Raspberry Tablets No B039		Roberts Aspirin & Caffeine Tablets
Rayglo Chest Rub Ointment		Robinsons Baby Rice
Rayglo Laxative Tablets		Robinsons Instant Baby Foods Baby Breakfast
Reach Mouthwash		Robinsons Instant Baby Foods Baby Dessert
Reactivan Tablets		Robitussin AC Liquid
Red Catarrh Pastilles (Baldwin)		Robitussin Cough Soother
Redelan Effervescent Tablets		Robitussin Cough Soother Junior Formula
Redoxon Adult Multivitamin Tablets		Robitussin Expectorant
Redoxon C Effervescent Tablets 1 g		Robitussin Expectorant Plus
Redoxon C Tablets 25 mg		Robitussin Liquid
Redoxon C Tablets 50 mg		Robitussin Plus Liquid
Redoxon C Tablets 200 mg		Robitussin Syrup
Redoxon C Tablets 250 mg		RoC Amino Moisturising Cream
Redoxon C Tablets 500 mg		RoC Compact Cleanser
Redoxon Childrens Multivitamins Tablets		RoC Eye Make-up Remover Lotion
Redoxon Effervescent Tablets 1 g		RoC Face Powder Loose
Regaine		RoC Foundation Cream
Regina Royal Jelly Capsules		RoC High Protection Sun Cream SPF 7/9
Reg-U-Lett Tablets		RoC Hydra and Body Cream
Relanium Tablets 2 mg		RoC Hydra Plus
Relanium Tablets 5 mg		RoC Intensive Hand Cream
Relanium Tablets 10 mg		RoC Lipo Moisturising Treatment
Relcofen Tablets		RoC Lipo Vitamin Treatment
Relcol Tablets		RoC Pre-Tanning Lotion
Remegel Tablets		RoC Soap for Delicate Skin
Remnos Tablets 5 mg		RoC Soothing After Sun Lotion
Remnos Tablets 10 mg		RoC Soothing Eye Gel
Rennie Tablets		RoC Treatment Lipstick
Rennie Gold Tablets		RoC Vitamin Cream
Rennie Plus Tablets		Roche Starflower Oil Capsules 500mg
Rennie Rap-Eze Tablets		Roche Starflower Oil (GLA) Capsules 250mg
Replens Vaginal Moisturiser		Rock Salmon Cough Mixture
Please note: For reimbursement purposes the product Replens should not be confused with the medical device Replens MD listed in Part IXA - Appliances		Rohypnol Tablets 1 mg
Resolve Granules		Roscorbic Effervescent Tablets
Respaton		Roscorbic Tablets 25 mg
Retinova		Roscorbic Tablets 50 mg
Revlon Nurtrasome Shampoo		Roscorbic Tablets 200 mg
Revlon ZP11 Medicated Shampoo		Roscorbic Tablets 500 mg

**DRUGS AND OTHER SUBSTANCES NOT TO BE PRESCRIBED UNDER THE NHS  
PHARMACEUTICAL SERVICES**

---

Rose Hip C-100 Capsules	Seba-Med Cleansing Bar
Rose Hip C-200 Capsules	Seba-Med Cream
Rose Hip Tablets (English Grains)	Seba-Med Facial Wash
Rose Hip Tablets (Potters)	Seba-Med Lotion
Rose Hip Tablets (Roberts)	Seba-Med Shampoo
Rosemary Bath	Sebbix Shampoo
Roskens Ultracare 3	Secaderm Salve
Rosmax Syrup	Secloclin Capsules
Roter Tablets	Sedazin Tablets 1 mg
Rovigon	Sedazin Tablets 2.5 mg
RRC1 Cream	Seldane Tablets
Rubelix Syrup	Selenium ACE Tablets
Rubraton B Elixir	Selora Sodium-free Salt Substitute
Ruby Tonic Tablets (Jacksons)	Selsun Soft Conditioner
Rum Cough Elixir	Senlax Tablets
Ruthmol	Senna Laxative Tablets (Boots)
Rutin Plus Tablets (Gerard)	Senna Tablets (Potters)
	Senokot Tablets
	Senotabs Tablets
Safapryn Tablets	Senselle Natural Feminine Moisture
Safapryn-Co Tablets	Sensodyne Toothpaste
Safflower Seed Oil	Serenid D Tablets 10 mg
Sainsbury's Aspirin Tablets 300mg	Serenid D Tablets 15 mg
Sainsbury's Cold Powders with Blackcurrant	Serenid Forte Capsules 30 mg
Sainsbury's Hot Lemon Powders	Sergeant's Dust Mite Patrol Powder
Sainsbury's Indigestion Tablets	Sertin Tablets
Sainsbury's Junior Soluble Aspirin Tablets	Setamol Soluble Tablets
Sainsbury's Paracetamol Tablets 500 mg	Setlers Extra Strength Tablets
Sainsbury's Soluble Aspirin Tablets	Setlers Liquid
St. Clements Fruit Juice Concentrate	Setlers Tablets
Salonair Spray	Seven Seas Antioxidant Beta Carotene Capsules
Salzone Syrup	Seven Seas Antioxidant Vitamin E Capsules
Salzone Tablets 500 mg	Seven Seas Beta Carotene Capsules
Sanatogen Childrens Vitamins Plus Minerals	Seven Seas Calcium Chewables (Chewable Caps)
Sanatogen Cod Liver Oil Capsules	Seven Seas Cod Liver Oil
Sanatogen Garlic Oil Perle One-A-Day	Seven Seas Evening Primrose Oil Capsules
Sanatogen Junior Vitamins Tablets	Seven Seas Folic Acid & Vitamin B12 One-A-Day Tablets
Sanatogen Multivitamin Plus Iron (Formula One) Tablets	Seven Seas Formula 70 Multivitamin- Multimineral Capsules
Sanatogen Multivitamins Tablets	Seven Seas Garlic Oil Perles
Sanatogen Multivitamins & Calcium Tablets	Seven Seas Iron Chewables (Chewable Caps)
Sanatogen Nerve Tonic Powder	Seven Seas Korean Ginseng Capsules
Sanatogen Selected Multivitamins Plus Iron (Formula Two) Tablets	Seven Seas Lecithin Capsules
Sanatogen Tonic	Seven Seas Magnesium Berries
Sanatogen Vitamin B6 Capsules	Seven Seas Malt and Cod Liver Oil
Sanatogen Vitamin E Capsules	Seven Seas Multivitamin & Mineral Capsules
Sancos Compound Linctus	Seven Seas Natural Vitamin E in Wheatgerm Capsules
Sancos Syrup	Seven Seas Orange Syrup & Cod Liver Oil
Savant Tablets	Seven Seas Pulse Capsules
Savlon Dry Skin Cream	Seven Seas Pure Cod Liver Oil Capsules
Saxin	Seven Seas Pure Starflower Oil
SBL Junior Cough Linctus	Seven Seas Selenium E & Cod Liver Oil Capsules
SBL Soothing Bronchial Linctus	Seven Seas Start Right Cod Liver Oil for Babies
Schar Gluten Free Sponge Cake	Seven Seas Vitamin and Mineral Tonic
Scholl Foot Refresher Spray	Seven Seas Wheatgerm Oil Capsules
Scott's Cod Liver Oil Capsules	Seven Seas Zinc Chewables (Chewable Caps)
Scott's Emulsion	Sidros Tablets
Scott's Husky Biscuits	Silk-Lax Tablets
Seatone Capsules	Siloxyl Suspension
Seatone Super Strength Capsules	Siloxyl Tablets
Seaweed Vitamin A Ester BP & Vitamin D BP Capsules (Regent Laboratories)	Simeco Suspension
	Simeco Tablets

---

**DRUGS AND OTHER SUBSTANCES NOT TO BE PRESCRIBED UNDER THE NHS  
PHARMACEUTICAL SERVICES**

Simple Hair Conditioner	Sterling Indigestion Tablets
Simple Moisturising Lotion	Sterling Paracetamol Tablets
Simple Night Cream	Sterogyl Alcoholic Solution
Simple Protective Moisture Cream	Stomach Aids Tablets
Simple Refreshing Shower Gel	Stomach Mixture (Herbal Laboratories)
Simple Shampoo	Stomach Mixture H138 (Southon Laboratories)
Simple Soap	Stomach Powder (Diopharm)
Simple Sun Block	Stomach Tablets (Ulter)
Simple Talcum Powder	Stop 'N' Grow Nail Biting Deterrent
Sine-Off Tablets	Street's Cough Mixture
Sinitol Capsules	Strengthening Mixture (Hall's)
Sinutab Tablets	Stress B Supplement Tablets
Sionon Sweetner	Strychnine & Iron Mixture BPC 1963
Skin Glow Capsules	Strychnine Mixture BPC 1963
Slim-Fast Meal Replacement	Stute Diabetic Blackcurrant Jam
SMA Gold Cap Powder and Ready-to- Feed	Stute Diabetic Marmalade
SMA Powder and Concentrated Liquid	Sudafed Co Tablets
Snufflebabe Vapour Rub	Sudafed Expectorant
Soaclens Solution	Sudafed Linctus
Soframycin Ointment	Sudafed Nasal Spray
Softab Soft Lens Care Tablets	Sudocrem Baby Lotion
Solgar Cartilage Capsules	Suleo C Shampoo
Solgar Ester-C Tablets	Sun E45 Lotion SPF8
Solgar Evening Primrose Oil	Sunerven Tablets
Solgar Glucosamine Sulfate Tablets	Sunnyvale Gluten-Free Rich Plum Pudding
Solgar Maxi Coenzyme Q10 Capsules	Sun Yums Gluten Free & Dairy Free Almond & Coconut Cake
Solgar Maxi L-Carnitine Tablets	Sun Yums Gluten Free & Dairy Free Banana & Sesame Seed Cake
Solgar Provatene Softgel Capules	Sun Yums Gluten Free & Dairy Free Carob & Mint Cake
Solis Capsules 2 mg	Sun Yums Gluten Free & Dairy Free Ginger & Pecan Nut Cake
Solis Capsules 5 mg	Sun Yums Gluten Free & Dairy Free Jaffa Spice Cake
Solis Capsules 10 mg	Super Plenamins Tablets
Solmin Tablets	Super Yeast + C Tablets
Solpadeine Capsules	Superdophilus Powder
Solpadeine Forte Tablets	Superdrug Health Salts
Solpadeine Tablets	Superdrug Heat Spray
Solpadeine Tablets Effervescent	Supradyn Capsules
Solprin Tablets	Supradyn Effervescent Tablets
Soluble Aspirin Tablets for Children (Boots)	Supradyn Tablets for Children
Soluble Phensic Tablets	Surbex-T Tablets
Solusol Solution	Surem Capsules 5 mg
Sominex Tablets	Surem Capsules 10 mg
Somnite Suspension 2.5 mg/5 ml	Surelax Laxative Tablets
Somnite Tablets 5 mg	Sweetex
Soquette Soaking Solution	Sylopal Suspension
Sovol Liquid	Sylphen Tablets
Sovol Tablets	Syn-Ergel
Soya Powder & Nicotinamide Tablets	Syndol Tablets
SP Cold Relief Capsules	Syrtussar Cough Syrup
Special E Moisture Cream	
Special Stomach Powder (Halls)	
Spectraban 4 Lotion	
SPHP Tablets	
SPS Low-Protein Drink	
Squill Linctus Opiate BP (Gee's Linctus)	
Squill Linctus Opiate, Paediatric, BP	
Squire's Soonax Tablets	
SR2310 Expectorant	T-Zone Decongestant Tablets
SR Toothpaste (Gibbs)	Tabasan Tablets
Staffords Mild Aperient Tablets	Tablets No B006
Staffords Strong Aperient Tablets	Tablets No B011
Steradent Mouthwash	Tablets No B015
Steri-Clens Solution	Tablets No B024
Steri-Solve Soft Lens Solution	Tablets No B025
Sterling Health Salts Effervescent	Tablets No B029
	Tablets No B034

---

**DRUGS AND OTHER SUBSTANCES NOT TO BE PRESCRIBED UNDER THE NHS  
PHARMACEUTICAL SERVICES**

---

Tablets No B035	Tablets to Formula A274
Tablets No B036	Tablets to Formula A275
Tablets No B037	Tablets to Formula A276
Tablets No B038	Tablets to Formula A277
Tablets No B040	Tablets to Formula A298
Tablets No B041	Tablets to Formula A301
Tablets No B045	Tablets to Formula A316
Tablets No B048	Tablets to Formula BA6
Tablets No B070	Tablets to Formula B10
Tablets No 268A (Potters)	Tablets to Formula B15
Tablets to Formula A10	Tablets to Formula B18
Tablets to Formula A11	Tablets to Formula B19
Tablets to Formula A18	Tablets to Formula B20
Tablets to Formula A19	Tablets to Formula B21
Tablets to Formula A20	Tablets to Formula B22
Tablets to Formula A22	Tablets to Formula B25
Tablets to Formula A23	Tablets to Formula B26
Tablets to Formula A31	Tablets to Formula B29
Tablets to Formula A32	Tablets to Formula B41
Tablets to Formula A33	Tablets to Formula B48
Tablets to Formula A45	Tablets to Formula B51
Tablets to Formula A51	Tablets to Formula B56
Tablets to Formula A63	Tablets to Formula B58
Tablets to Formula A67	Tablets to Formula B64
Tablets to Formula A68	Tablets to Formula B65
Tablets to Formula A69	Tablets to Formula B66
Tablets to Formula A70	Tablets to Formula B67
Tablets to Formula A71	Tablets to Formula B68
Tablets to Formula A105	Tablets to Formula B70
Tablets to Formula A111	Tablets to Formula B71
Tablets to Formula A114	Tablets to Formula B72
Tablets to Formula A120	Tablets to Formula B73
Tablets to Formula A147	Tablets to Formula B74
Tablets to Formula A157	Tablets to Formula B75
Tablets to Formula A158	Tablets to Formula B76
Tablets to Formula A161	Tablets to Formula B77
Tablets to Formula A162	Tablets to Formula B78
Tablets to Formula A164	Tablets to Formula B79
Tablets to Formula A165	Tablets to Formula B80
Tablets to Formula A166	Tablets to Formula B81
Tablets to Formula A167	Tablets to Formula B82
Tablets to Formula A169	Tablets to Formula B83
Tablets to Formula A175	Tablets to Formula B85
Tablets to Formula A183	Tablets to Formula B86
Tablets to Formula A184	Tablets to Formula B87
Tablets to Formula A190	Tablets to Formula B90
Tablets to Formula A195	Tablets to Formula B91
Tablets to Formula A202	Tablets to Formula B93
Tablets to Formula A203	Tablets to Formula B94
Tablets to Formula A213	Tablets to Formula B96
Tablets to Formula A221	Tablets to Formula B98
Tablets to Formula A244	Tablets to Formula B100
Tablets to Formula A245	Tablets to Formula B102
Tablets to Formula A246	Tablets to Formula B104
Tablets to Formula A247	Tablets to Formula B117
Tablets to Formula A248	Tablets to Formula B118
Tablets to Formula A249	Tablets to Formula B120
Tablets to Formula A250	Tablets to Formula B122
Tablets to Formula A264	Tablets to Formula B124
Tablets to Formula A266	Tablets to Formula B128
Tablets to Formula A270	Tablets to Formula B141
Tablets to Formula A271	Tablets to Formula B143
Tablets to Formula A272	Tablets to Formula B145
Tablets to Formula A273	Tablets to Formula B148

**DRUGS AND OTHER SUBSTANCES NOT TO BE PRESCRIBED UNDER THE NHS  
PHARMACEUTICAL SERVICES**

Tablets to Formula B156	Tiger Balm White
Tablets to Formula B157	Timotei Herbal Shampoo
Tablets to Formula B158	Tinaderm Cream
Tablets to Formula B160	Titan Hard Cleanser
Tablets to Formula B163	Tixylis Cough and Cold Linctus
Tablets to Formula B169	Tixylis Cough Linctus
Tablets to Formula B178	Tixylis Day-Time Cough Linctus
Tablets to Formula B180	Tixylis Decongestant Inhalant Capsules
Tablets to Formula B181	Tolu Compound Linctus Paediatric BP
Tablets to Formula B182	Tolu Solution BP
Tablets to Formula B190	Tolu Syrup BP
Tablets to Formula B193	Tonatexa Mixture
Tablets to Formula B207	Tonic Tablets (Thomas Guest)
Tablets to Formula B209	Tonic Wines
Tablets to Formula B210	Tonivitan A & D Syrup
Tablets to Formula B211	Tonivitan B Syrup
Tablets to Formula B212	Tonivitan Capsules
Tablets to Formula B213	Top C Tablets
Tablets to Formula B214	Topfit Amino Acid Powder
Tablets to Formula B215	Topfit L Threonine + Vitamin B6 Capsules
Tablets to Formula B216	500/12.5mg
Tablets to Formula B217	Toptabs
Tablets to Formula B218	Total All Purpose Solution
Tablets to Formula B222	Total Nutrient Liquid
Tablets to Formula B223	Totavit D R Capsules
Tablets to Formula B224	Totolin Paediatric Cough Syrup
Tablets to Formula B225	Tramfil Capsules
Tablets to Formula B227	Trancoprin Tablets
Tablets to Formula B228	Transclean Cleaning Solution
Tablets to Formula B231	Transdrop
Tablets to Formula B234	Transoak Solution
Tablets to Formula B235	Transol Solution
Tablets to Formula B236	Tranxene Capsules 7.5 mg
Tablets to Formula B243	Tranxene Capsules 15 mg
Tablets to Formula B248	Tranxene Tablets 15 mg
Tablets to Formula B250	Triludan Forte Tablets 7-tablet pack
Tablets to Formula B251	Triludan Tablets 10-tablet pack
Tablets to Formula B252	Triocos Linctus
Tabmint Anti-Smoking Chewing Gum Tablets	Triogesic Elixir
Tanacet Feverfew 125	Triogesic Tablets
Tancoilin Childrens Cough Linctus	Triominic Syrup
Tedral Expectorant	Triominic Tablets
Temazepam Gelthix Capsules	Triopaed Linctus
Temazepam Planpak	Triotussic Suspension
Temazepam Soft Gelatin Gel-Filled Capsules	Triovit Tablets
Tenaset Wash Cream	Triple Action Cold Relief Tablets
Tenaset Wash Cream (Unperfumed)	Tropium Capsules 5 mg
Tensium Tablets 2 mg	Tropium Capsules 10 mg
Tensium Tablets 5 mg	Tropium Tablets 5 mg
Tensium Tablets 10 mg	Tropium Tablets 10 mg
Tercoda Elixir	Tropium Tablets 25 mg
Tercolix Elixir	Trufree Crispbran
Terpalin Elixir	Trufree Tandem IQ Tablets
Terperoin Elixir	Trufree Vitamin & Minerals Tablets
Terpoin Antitussive	Tudor Rose Bay Rhum
Terrabron	Tums Tablets
T-Gel Conditioner	Tusana Linctus
Thermogene Medicated Rub	Tussifans Syrup
Thixo-D Thickened Drink Mixes	Tussimed Liquid
Three Noughts Cough Syrup	Two-A-Day Iron Jelloids Tablets
Tidmans Bath Sea Salt	Tymasil
Tidman's Sea Salt Coarse	Tyson's Catarrh Syrup
Tiger Balm Liquid	
Tiger Balm Red	

**DRUGS AND OTHER SUBSTANCES NOT TO BE PRESCRIBED UNDER THE NHS  
PHARMACEUTICAL SERVICES**

Ucerax Tablets	Veracolate Tablets
Udenum Gastric Vitamin Powder	Verdiviton Elixir
Ultracach Analgesic Capsules	Vervain Compound Tablets
Ultradal Antacid Stomach Tablets	Vichy Total Sunscreen
Ultralief Tablets	Vicks Coldcare Capsules
Uncoated Tablets to Formula A323	Vicks Cremacoat Syrup
Uncoated Tablets to Formula A325	Vicks Cremacoat Syrup with Doxylamine Succinate
Undecyn Capsules	Vicks Cremacoat Syrup with Guaiphenesin
Unguentum Merck Cream 60g	Vicks Cremacoat Syrup with Paracetamol & Dextromethorphan
Unicap M Tablets	Vicks Daymed
Unicap T Tablets	Vicks Formula 44 Cough Mixture
Unichem Baby Oil	Vicks Inhaler
Unichem Chesty Cough Linctus	Vicks Medinite
Unichem Children's Dry Cough Linctus	Vicks Pectorex Solution
Unichem Cod Liver Oil Capsules	Vicks Sinex Nasal Spray
Unichem Cold Relief Capsules	Vicks Vapo-Lem Powder Sachets
Unichem Cold Relief Day-Time Liquid	Vicks Vaporsyrup Children's Dry Cough
Unichem Cold Relief Night-Time Liquid	Vicks Vaporsyrup for Chesty Coughs
Unichem Cold Relief Powders	Vicks Vaporsyrup for Chesty Coughs and Nasal Congestion
Unichem Dry Cough Linctus	Vicks Vaporsyrup for Dry Coughs
Unichem Extract of Malt with Cod Liver Oil	Vicks Vaporsyrup for Dry Coughs and Nasal Congestion
Unichem Multivitamins + Iron Tablets	Vicks Vapour Rub
Unichem Multivitamins & Minerals One-A-Day Capsules	Vi-Daylin Syrup
Uniflu Tablets	Vidanal Tablets
Unigesic Capsules	Vigour Aids Tablets
Unigest Tablets	Vigranon B Complex Tablets
Unisomnia Tablets 5 mg	Vigranon B Syrup
United Skin Care Programme (Uni-Derm; Uni-Salve; Uni-Wash)	Vikelp Coated Tablets
Uvistat Aftersun Lotion	Vikonon Tablets
Uvistat Baby Sun Cream SPF 12	Villescon Liquid
Uvistat Cream SPF 4	Villescon Tablets
Uvistat Facial Cream SPF 8	Viobin Octacosanol Tablets 50,000mcg
Uvistat Facial Cream SPF 22	Viobin Pancreatin Tablets 325mg
Uvistat Lipscreen SPF 5 Lipstick	Vipro Vegetable Protein
Uvistat SPF 8 Suncream	Virvina Elixir
Uvistat SPF 10 Suncream	Vitabrit Beta Carotene Capsules
Uvistat Sun Lotion SPF 6	Vita Diem Multi Vitamin Drops
Uvistat Sun Lotion SPF 8	Vita-E 200 (D-Alpha Tocopherol) Capsules
Vadarex Wintergreen Heat Rub	Vita-E Cream
Vagisil Feminine Powder	Vita-E Ointment
Valium Capsules 2 mg	Vital Dophilus Powder
Valium Capsules 5 mg	Vitalia Calcium Formula A + D Tablets
Valium Syrup 2 mg/5 ml	Vitalia Lecithin Capsules High Potency
Valium Tablets 2 mg	Vitalia Multivitamins & Minerals Children's Chewable Sugar-Free Tablets
Valium Tablets 5 mg	Vitalia Multivitamin & Minerals with Iron Tablets
Valium Tablets 10 mg	Vitalia Multivitamin & Minerals Tablets without Iron
Valonorm Tonic Solution	Vitalia Natural E Capsules
Vairelease Capsules	Vitalia Vitamin A Tablets
Vanamil Tablets	Vitalia Vitamin B Complex Super Tablets
Vantage Baby Shampoo	Vitalia Vitamin B6 Tablets
Vantage Garlic One-A-Day Capsules	Vitalia Vitamin C Chewable Tablets
Vantage Halibut Fish Oil One-A-Day Capsules	Vitalia Vitamin E Tablets
Vantage Sterilising Fluid	Vitalia Zinc Amino Acid Chelated Tablets 15mg
Vapex Inhalent	Vitalia Zinc Chelated Tablets
Vaseline Intensive Care Lotion	Vitalife Vital E Capsules
Vaseline Intensive Care Lotion Herbal and Aloe	Vitalife Vitamin B6 Capsules
Vega Glucosamine Sulphate Capsules	Vitalife Vitamin B Complex Tablets
Veganin Tablets	Vitalin Tablets
Veno's Adult Formula Cough Mixture	Vitalzymes Capsules
Veno's Cough Mixture	Vitamin & Iron Tonic (Epitone) Solution
Veno's Honey & Lemon Cough Mixture	

**DRUGS AND OTHER SUBSTANCES NOT TO BE PRESCRIBED UNDER THE NHS  
PHARMACEUTICAL SERVICES**

Vitamin A & D Capsules BPC 1968 (Regent Laboratories)	Woodwards Nursery Cream
Vitamin A Ester & Vitamin D2 Capsules (Regent Laboratories)	Wrights Glucose with Vitamin D Powder
Vitamin A Ester Capsules (Regent Laboratories)	Wrights Vaporizing Fluid
Vitamin A Ester Conc, Alpha Tocopherol Acetate Nat Capsules (Regent Laboratories)	Xanax Tablets 0.25 mg
Vitamin A 4500 Units & Vitamin D2 Capsules (Regent Laboratories)	Xanax Tablets 0.5 mg
Vitamin A 6000 Units & Vitamin D2 Capsules (Regent Laboratories)	Xanax Tablets 1.0 mg
Vitamin A, C & D Tablets (Approved Prescription Services)	Yeast & B12 Tablets (English Grains)
Vitamin A, D & C Tablets (Regent Laboratories)	Yeast Plus Tablets (Thomas Guest)
Vitamin B Complex Tablets (English Grains)	Yeast-Vite Tablets
Vitamin B Complex with Brewer's Yeast Tablets (English Grains)	Yellow Phenolphthalein Tablets (any strength)
Vitamin B1 Dried Yeast Powder (Distillers)	Yestamin Vitamin B5 Tablets
Vitamin B1 Yeast Tablets (Distillers)	Zactirin Tablets
Vitamin B12 Tablets 0.01 mg	Zam Buk Ointment
Vitamin B12 Tablets 0.025 mg	Zefringe Sachets
Vitamin B12 Tablets 0.05 mg	Zemaphyte Chinese Herbal Eczema Remedy
Vitamin B12 Tablets 0.10 mg	Zendium Toothpaste
Vitamin B12 Tablets 0.25 mg	Zenoxone Cream
Vitamin B12 Tablets 0.5 mg	Zirtek 7
Vitamin B12 Tablets 1 mg	Zubes Expectorant Cough Syrup
Vitamin C Tablets (G & G Food Supplies)	Zubes Original Cough Mixture
Vitamin C Tablets Effervescent 1g	Zyriton Expectorant Linctus
Vitamin Capsules (Regent Laboratories)	
Vitamin Malt Extract with Orange Juice (Distillers)	
Vitamin Mineral Capsules (Regent Laboratories)	
Vitamin Tablets No B077	
Vitamin Tablets No B081	
Vitamin Tablets No B084	
Vitaminised Iron & Yeast Tablets (Kirby Warrick Pharmaceuticals)	
Vita Natura Evening Primrose Oil + Vitamin E Tablets	
Vitanorm Malt Extract	
Vitanorm Malt Extract Syrup	
Vitapointe Conditioner	
Vitasafe's CF Kaps Tablets	
Vitasafe's WCF Kaps Tablets	
Vita-Six Capsules	
Vitathone Chilblain Tablets	
Vitatrop Tablets	
Vitavel Powder for Syrup	
Vitavel Solution	
Vitepron Tablets	
Vitorange Tablets	
Vitrite Multi-Vitamin Syrup	
Vykamin Fortified Capsules	

W L Tablets  
Wallachol Syrup  
Wallachol Tablets  
Wate-on Emulsion  
Wate-on Emulsion Super  
Wate-on Tablets  
Wate-on Tablets Super  
Wate-on Tonic  
Waterhouses All Fours  
Wines

**XVIII A**

---

**DRUGS AND OTHER SUBSTANCES NOT TO BE PRESCRIBED UNDER THE NHS  
PHARMACEUTICAL SERVICES**

---

This Page is Intentionally Blank



**DRUGS TO BE PRESCRIBED IN CERTAIN CIRCUMSTANCES UNDER THE NHS  
PHARMACEUTICAL SERVICES**

Part XVIIIIB reproduces Schedule 2 to the National Health Service (General Medical Services Contracts) (Prescription of Drugs etc.) Regulations 2004.

Drugs in Column 1 of this part may be prescribed for persons mentioned in Column 2, only for the treatment of the purpose specified in Column 3. The Prescriber must endorse the prescription with the reference "SLS".

- \* "at-risk" means an adult or child patient or a patient over the age of 13 who-
- (a) has chronic respiratory disease (including asthma and chronic obstructive pulmonary disease);
  - (b) has significant cardiovascular disease, excluding an adult or child patient who has hypertension only
  - (c) has chronic renal disease;
  - (d) are immunocompromised;
  - (e) has diabetes mellitus; or
  - (f) is aged 65 years or over;

Drug	Patient	Purpose
Clobazam	Any patient	Epilepsy
Cyanocobalamin Tablets	A patient who is a vegan or who has a proven vitamin B12 deficiency of dietary origin.	Treatment or prevention of vitamin B12 deficiency.
Locabiotol Aerosol	Any patient	Treatment of infections and inflammation of the oropharynx.
Niferex Elixir 30ml Paediatric Dropper Bottle	Infants born prematurely	Prophylaxis in treatment of iron deficiency
Nizoral Cream	Any patient	Treatment of seborrhoeic dermatitis and pityriasis versicolor

**DRUGS TO BE PRESCRIBED IN CERTAIN CIRCUMSTANCES UNDER THE NHS  
PHARMACEUTICAL SERVICES**

Drug	Patient	Purpose
Oseltamivir (Tamiflu)	(1) *At-risk adult and child patients where-	Treatment of influenza
	<ul style="list-style-type: none"> <li>(a) It has been determined in accordance with a community based virological surveillance scheme that influenza A or influenza B is circulating in the locality in which the patient resides or is present or was present at the time that the virus was circulating;</li> <li>(b) the patient has an influenza-like illness; and</li> <li>(c) the patient can start therapy within 48 hours of the onset of symptoms.</li> </ul>	
	(2) *At-risk patients aged 13 years and older where-	Prophylaxis of influenza
	<ul style="list-style-type: none"> <li>(a) It has been determined in accordance with a community based virological surveillance scheme that influenza A and influenza B is circulating in the locality in which the patient resides;</li> <li>(b) the patient has been exposed to an influenza-like illness through being in close contact with someone with whom he lives who is or has been suffering from an influenza-like illness;</li> <li>(c) the patient is not effectively protected by vaccination against influenza because- <ul style="list-style-type: none"> <li>(i) he has not been vaccinated because vaccination is contraindicated;</li> <li>(ii) he has not been vaccinated since the previous influenza season;</li> <li>(iii) he has been vaccinated but it has yet to take effect; or</li> <li>(iv) he has been vaccinated but the vaccine is not well matched to the strain of influenza circulating in the locality in which the patient resides or is or has been present;</li> </ul> </li> </ul>	

**DRUGS TO BE PRESCRIBED IN CERTAIN CIRCUMSTANCES UNDER THE NHS  
PHARMACEUTICAL SERVICES**

Drug	Patient	Purpose
	<ul style="list-style-type: none"> <li>(d) the patient lives in a residential care establishment and another resident or member of staff of the establishment has an influenza-like illness; and</li> <li>(e) the patient can start prophylaxis within 48 hours of exposure to an influenza-like illness.</li> </ul>	
Zanamivir (Relenza)	<p>*At-risk adult patients where-</p> <ul style="list-style-type: none"> <li>(a) It has been determined in accordance with a community based virological surveillance scheme that influenza A or influenza B is circulating in the locality in which the patient resides or is present or was present at the time that the virus was circulating;</li> <li>(b) the patient has an influenza-like illness; and</li> <li>(c) the patient can start therapy within 48 hours of the onset of symptoms</li> </ul>	Treatment of influenza

**DRUGS TO BE PRESCRIBED IN CERTAIN CIRCUMSTANCES UNDER THE NHS  
PHARMACEUTICAL SERVICES**

Drug	Patient	Purpose
The following drugs for the treatment of erectile dysfunction -  Alprostadil (Caverject), (MUSE), (Viridal) Apomorphine Hydrochloride (Uprima) Moxisylyte Hydrochloride (Erecnos) Sildenafil (Viagra) Tadalafil (Cialis) Thymoxamine Hydrochloride (Erecnos) Vardenafil (Levitra)	<p>a) a man with erectile dysfunction who on 14 September 1998 was receiving a course of treatment under the Act, the National Health Service (Scotland) Act 1978(a) or the Health and Personal Social Services (Northern Ireland) Order 1972(b) for this condition with any of the following drugs -</p> <p>Alprostadil (Caverject), (MUSE), (Viridal) Apomorphine Hydrochloride (Uprima) Moxisylyte Hydrochloride (Erecnos) Sildenafil (Viagra) Tadalafil (Cialis) Thymoxamine Hydrochloride (Erecnos); or</p> <p>b) a man who is a national of an EEA State who is entitled to treatment by virtue of Article 7(2) of Council Regulation 1612/68(c) as extended by the EEA Agreement or by virtue of any other enforceable Community right who has erectile dysfunction and was on 14th September 1998 receiving a course of treatment under a national health insurance system of an EEA State for this condition with any of the drugs listed in sub-paragraph (a); or</p> <p>c) a man who is not a national of an EEA State but who is the member of the family of such a national who has an enforceable Community right to be treated no less favourably than the national in the provision of medical treatment and has erectile dysfunction and was being treated for that condition on 14th September 1998 with any of the drugs listed in sub-paragraph (a); or</p> <p>d) a man who is suffering from any of the following - diabetes multiple sclerosis Parkinson's disease poliomyelitis prostate cancer severe pelvic injury single gene neurological disease spina bifida spinal cord injury; or</p> <p>e) a man who is receiving treatment for renal failure by dialysis; or</p> <p>f) a man who has had the following surgery - prostatectomy radical pelvic surgery renal failure treated by transplant.</p>	Treatment of erectile dysfunction.

(a) 1978 c.29

(b) SI 1972/1265 (NI 14)

(c) OJ No.L257, 19.10.68, p.22 (OJ/SE 1968(II) p.475)

---

**CRITERIA NOTIFIED UNDER THE TRANSPARENCY DIRECTIVE**


---

**Criteria notified to the European Commission under Article 7 of the Council Directive relating to the transparency of measures regulating the pricing of medicinal products for human use and their inclusion in the scope of national health insurance schemes (89/105/EEC)**

The following six criteria have been separately notified by the UK Government to the European Commission since 1989 to comply with Article 7 of the Transparency Directive.

First, under the Selected List Scheme, medicinal products in seventeen therapeutic categories which are excluded from prescription on the grounds that, on expert advice, they had no clinical or therapeutic advantage over other, cheaper, drugs in the following categories:-

- mild to moderate painkillers
- indigestion remedies
- laxatives
- cough and cold remedies
- vitamins
- tonics
- benzodiazepine sedatives and tranquillisers
- anti-diarrhoeal drugs
- drugs for allergic disorders
- hypnotics and anxiolytics
- appetite suppressants
- drugs for vaginal and vulval conditions
- contraceptives
- drugs used in anaemia
- topical anti-rheumatics
- drugs acting on the ear and nose
- drugs acting on the skin

Second, products may be considered as "borderline substances" which are not truly medicinal products with clinical or therapeutic value and are excluded from NHS prescription on that ground.

Third, as well as being freely available on sale over the counter to the general public the cost to the NHS if the product(s) were to be supplied on prescription could not be justified at any price likely to be economic to the manufacturer and that the supply of the product is not considered a priority for the use of the limited resources available to the NHS.

Fourth, that products which nonetheless may meet a legitimate clinical or therapeutic need when properly prescribed, are subject to misuse by drug misusers, and such misuse, or the manner in which the product is administered by drug misusers, gives rise to the risk of physical or mental morbidity and alternative products are available to meet all legitimate clinical or therapeutic needs.

Fifth, a medicinal product or a category of medicinal products may be excluded entirely from supply on NHS prescription. It may alternatively be excluded except in specified circumstances, or except in relation to specified conditions or categories of condition, or specified categories of patient. A medicinal product or a category of them may be so excluded where the forecast aggregate cost to the NHS of allowing the product (or category of products) to be supplied on NHS prescription, or to be supplied more widely than the permitted exceptions, could not be justified having regard to all the relevant circumstances including in particular: the Secretary of State's duties pursuant to the NHS Act 1977 and the priorities for expenditure of NHS resources.

Sixth, products which comprise an injection device prefilled with a drug may be excluded from supply on NHS prescription if the same drug is available and can be used more economically in a container which may be used in conjunction with a refillable injection device.

**CRITERIA NOTIFIED UNDER THE TRANSPARENCY DIRECTIVE**

---

This Page is Intentionally Blank

**PAYMENTS TO CHEMISTS SUSPENDED BY DIRECTION OF THE FHSAA**

This Determination is made by the Secretary of State under regulation 58 of the National Health Service (Pharmaceutical Services) Regulations 2005<sup>1</sup> and regulation 18A of the National Health Service (Pharmaceutical Services) Regulations 1992.

**1. Interpretation**

- 1.1 Unless the context otherwise requires, words and phrases used in this Determination have the same meaning as they have in the National Health Service (Pharmaceutical Services) Regulations 2005 ("the 2005 Regulations") in relation to England, and the same meaning as they have in the National Health Service (Pharmaceutical Services) Regulations 1992 ("the 1992 Regulations") in relation to Wales.

**2. Calculation of payments to be made to suspended chemists**

- 2.1 Where a chemist is suspended by direction of the FHSAA, a Primary Care Trust (PCT) in England or a Local Health Board (LHB) in Wales as the case may be shall make payments to him, calculated in accordance with this determination.
- 2.2 Where the suspended chemist has undertaken to provide pharmaceutical services from two or more premises in the area of a PCT or the area of a LHB, payments shall be calculated separately in respect of each of those premises.
- 2.3 Upon receipt of a claim from the chemist, the PCT or LHB shall pay to the suspended chemist in respect of each complete calendar month during which he is suspended an amount equal to his reference remuneration, calculated in accordance with paragraph 3.
- 2.4 For any calendar month during which the chemist was suspended for less than the whole month, payment shall be reduced pro rata to the number of days (including weekends and bank holidays) during which the chemist was suspended.
- 2.5 If when the chemist is first suspended, the PCT or LHB does not have available to it all the details of the fees and allowances which it needs in order to calculate reference remuneration in accordance with paragraph 3, it shall estimate the reference remuneration on the basis of the information which is available to it, and make payments accordingly. When the full information becomes available, it shall recalculate the reference remuneration, and adjust its payments accordingly.
- 2.6 The PCT or LHB shall also recalculate the reference remuneration (and, where appropriate, any additional payment or deduction under paragraphs 6 to 9 below) if the chemist ceases to be included in the pharmaceutical list in respect of any premises, or if the PCTs for England or LHBs for Wales receive new information about the fees and allowances to which he was entitled. The PCT or LHB shall adjust its monthly payments accordingly.

**3. Reference Remuneration**

- 3.1 A chemist's 'reference remuneration' is the total of the relevant fees and allowances (as defined in paragraph 4 below) to which he was entitled in respect of the relevant period (as defined in paragraph 5 below) in relation to the premises in question, divided by the number of months in the relevant period.
- 3.2 For example, if the relevant fees and allowances for a given set of premises come to £12,000, and the relevant period for those premises is ten months, the reference remuneration will be £12,000/10 = £1200. If the relevant period is the full twelve months, the reference remuneration would be £12,000/12 = £1000.
- 3.3 Where a chemist is included in the pharmaceutical list of a PCT or a pharmaceutical list of a LHB both as a person who has undertaken to provide pharmaceutical services by way of the provision of drugs and by way of the provision of appliances in respect of the same premises, and the relevant period for the two types of services differ, the two sets of relevant fees and allowances shall be calculated separately for the purposes of determining reference remuneration.

<sup>1</sup> S.I.2005/641

---

**PAYMENTS TO CHEMISTS SUSPENDED BY DIRECTION OF THE FHSAA**

---

**4. Relevant Fees and Allowances**

- 4.1 Relevant Fees and allowances means:
- (a) Professional Fees payable under clause 1 of Part IIIA of the Drug Tariff;
  - (b) Additional or Special Fees payable under clause 2 of Part IIIA;
  - (c) Fees for dispensing appliances, payable under Part IIIB;
  - (d) Payment for Essential Services (Pharmacy Contractors) payable under Part VIA;
  - (e) On-Cost Allowance for Appliance Contractors payable under Part VIB;
  - (f) Payment for advanced services (pharmacy contractors) payable under Part VIC;
  - (g) Payments for any enhanced services (pharmacy contractors) payable under Part VID;
  - (h) Exit payments (pharmacy contractors) payable under Part XI;
  - (i) Payments under the Essential Small Pharmacies Scheme payable under Part XII;
  - (j) Payments in respect of Pre-Registration Trainees under Part XIII;
  - (k) Payments for Oxygen Therapy Services (including service element and hardware, but excluding compensation for financial loss in respect of oxygen equipment paid under regulation 56(1)(j) of the 2005 Regulations as determined by the PCT or paid under regulation 18(1)(i) of the 1992 Regulations as determined by the LHB).
- 4.2 For the purposes of calculating reference remuneration, relevant fees and allowances to which the chemist was entitled in respect of any part of the relevant period (as defined in paragraph 5) prior to 1 April 2005, other than those listed at (c) and (e) in paragraph 4.1, shall be increased by 3.225%.
- 4.3 For example, if the relevant period were to be July 2004 to June 2005, reference remuneration would be calculated by reference to
- the relevant fees and allowances for July 2004 to March 2005, increased by 3.225%;
  - and
  - the relevant fees and allowances for April to June 2005, without any increase.

**5. Relevant Period**

- 5.1 Where, prior to the suspension, the chemist has been included in the pharmaceutical list in respect of premises for less than 12 complete calendar months, the relevant period for those premises is the number of complete calendar months during which the chemist was so included in the pharmaceutical list.
- 5.2 In all other cases, the relevant period is the last twelve complete calendar months immediately prior to the suspension.
- 5.3 For example, if a chemist is suspended on 12 November 2005, the relevant period for each set of premises would normally be 1 November 2004 to 31 October 2005 (i.e. 12 months). But if the chemist was first included in the pharmaceutical list on 3 April 2005, the relevant period will be 1 May 2005 to 31 October 2005 (i.e. 6 months).
- 5.4 Where a chemist has, under regulation 5 (1) (b) (ii) or 5 (1) (c) of the 2005 Regulations (where the premises are in England) or 4 (3) (a) of the 1992 Regulations (where the premises are in Wales), relocated the premises from which he provides pharmaceutical services, only the period after that relocation (or the last such relocation) is to form part of the relevant period.
- 5.5 The provisions in paragraph 5.4 do not apply where a chemist has already been suspended and a relocation of the premises from which he provided pharmaceutical services takes place subsequent to that suspension (for example by virtue of a temporary chemist applying to change premises on behalf of the suspended chemist under regulation 9 (3)).
- 5.6 Where a chemist began to provide pharmaceutical services from premises in place of another chemist under regulation 8 (1) of the 2005 Regulations (if the premises are in England) or 4 (3) (b) of the 1992 Regulations (if the premises are in Wales) and is then suspended, only the period after that change of ownership is to form part of the relevant period.
-



**PAYMENTS TO CHEMISTS SUSPENDED BY DIRECTION OF THE FHSAA**

---

**6. Additional Payments**

- 6.1 Where the PCT or LHB is satisfied that, but for suspension, a pharmacy contractor would have been entitled to a higher rate of payment for Essential Services in Part VIA in respect of the month in which he was suspended than he in fact received, the PCT for England and LHB for Wales shall make an additional payment to him.
- 6.2 That payment shall be the difference between the amount the contractor received in respect of that month and the amount to which, by reference to payments in previous months, the PCT or LHB believes he would have been entitled but for the suspension.
- 6.3 Payment shall be made as soon as practicable after the PCT or LHB has available to it final details of the amount of Payment for Essential Services that was actually made to the contractor in respect of the month in question.

**Payments for temporary chemists**

- 6.4 Where the PCT for England has granted, under the provisions of regulation 54 of the 2005 regulations, approval to a temporary chemist to provide pharmaceutical services at the relevant premises in place of the suspended chemist, and is further satisfied that the suspended chemist is paying to the temporary chemist a payment whether by way of fee, salary or other emolument, additional to any agreed share of payments made under paragraph 4 above, in respect of the month in which he was suspended, the PCT for England shall reimburse the suspended chemist the fee, salary or other emolument, up to a maximum of £150 per day.

**7. Deductions from Payments****7.1 Essential Small Pharmacies Scheme**

- 7.1.1 Where the PCT or LHB is satisfied that, but for suspension, a pharmacy contractor would have been entitled under Part XII of the Drug Tariff to lower payments under the Essential Small Pharmacies Scheme in respect of the month during which he was suspended than he in fact received, the PCT or LHB shall make a deduction from its monthly payment to him.
- 7.1.2 That deduction shall be the difference between the amount the contractor received in respect of that month and the amount to which, by reference to payments in previous months, the PCT or LHB believes he would have been entitled but for the suspension.
- 7.1.3 Such deduction shall be made as soon as practicable after the PCT or LHB has available to it final details of the amount of payments under the Essential Small Pharmacies Scheme that was actually made to the contractor in respect of the month in question.

**7.2 On-cost allowance for Appliance Contractors**

- 7.2.1 Where the PCT or LHB is satisfied that, but for suspension, a supplier of appliances would have been entitled under Part VIB of the Drug Tariff to a lower level of on-cost allowance in respect of the month during which he was suspended than he in fact received, the PCT or LHB shall make a deduction from its monthly payment to him.
- 7.2.2 That deduction shall be the difference between the amount the supplier of appliances received in respect of that month and the amount to which, by reference to payments in previous months, the PCT or LHB believes he would have been entitled but for the suspension.
- 7.2.3 Such deduction shall be made as soon as practicable once the PCT or LHB has available to it final details of the level of on-cost that was actually paid to the supplier of appliances in respect of the month in question.

---

**PAYMENTS TO CHEMISTS SUSPENDED BY DIRECTION OF THE FHSAA**

---

**8. Claims for payment**

- 8.1 The suspended chemist shall claim payments under this determination, by notifying the PCT or LHB in writing. When first making the claim, and subsequently as necessary, the suspended chemist shall provide such information as the PCT or LHB may reasonably require for the purposes of establishing the chemist's entitlement to, or the level of, payments.

**9. Arrangements for payment**

- 9.1 Upon receipt of a claim from the suspended chemist, payments shall be made in arrears as soon as practicable following the end of each calendar month, starting at the end of the month following that in which the chemist was suspended. For example, if the chemist is suspended on 27 August, the first payment will be due as soon as practical after 30 September.

**10. Termination of payment**

- 10.1 No claim for payment may be made in respect of any period after which the suspended chemist has, under regulation 9 (1) of the 2005 Regulations, disposed of the premises from which he was providing pharmaceutical services prior to his suspension.

## INDEX

## Numerics

3M Foam Adhesive Dressing **153**  
 3M Foam Dressing **154**

## A

AAA-Flex **116**  
 Able Spacer **114**  
 Above-Knee Stockings Elastic **160**  
 Absorbent Cellulose Dressing with Fluid  
 Repellent Backing **138**  
 Absorbent Cottons **113**  
 Absorbent Dressing (Perforated) **138**  
 Absorbent Dressing Pads, Sterile **138**  
 Absorbent Gauze **161**  
 Ribbon **161**  
 Tissue **162**  
 Absorbent Lint **168**  
 Absorbent, Perforated Dressing with Adhesive  
 Border **139**  
 Absorbent, Perforated Plastic Film Faced,  
 Dressing **138**  
 Acacia spray dried powder **55**  
 Acamprosate 333mg gastro-resistant tablets **55**  
 Acarbose 100mg tablets **55**  
 Acarbose 50mg tablets **55**  
 Acebutolol 100mg capsules **55**  
 Acebutolol 200mg capsules **55**  
 Acebutolol 400mg tablets **55**  
 Aceclofenac 100mg tablets **55**  
 Acemetacin 60mg capsules **55**  
 Acenocoumarol 1mg tablets **55**  
 Acetazolamide 250mg modified-release capsules  
**55**  
 Acetazolamide 250mg tablets **55**  
 Acetic acid 33% liquid **55**  
 Acetone liquid **55**  
 Acetylcysteine 5% eye drops **55**  
 Aciclovir 200mg dispersible tablets **55**  
 Aciclovir 200mg tablets **55**  
 Aciclovir 200mg/5ml oral suspension sugar free  
**55**  
 Aciclovir 3% eye ointment **55**  
 Aciclovir 400mg dispersible tablets **55**  
 Aciclovir 400mg tablets **55**  
 Aciclovir 400mg/5ml oral suspension sugar free  
**55**  
 Aciclovir 5% cream **55**  
 Aciclovir 800mg dispersible tablets **55**  
 Aciclovir 800mg tablets **55**  
 Aciclovir Cream **483**  
 Oral Suspension **483**  
 Tablets **483**  
 Actiban Bandage **119**  
 Actico (Cohesive) Bandage **119**  
 Acticoat **156**  
 Acticoat 7 **156**  
 Acticoat Absorbent **145, 156**  
 Acti-Fast **172**  
 ActiFormCool **151**  
 Acti-Glide **160**  
 Actisorb Silver 220 **143**  
 Activa Leg Ulcer Hosiery Kit **183**  
 Activated Charcoal Dressing **143**  
 Active **382**  
 Active II Vacuum Pump **181**  
 ActivHeal **142, 144, 145, 147, 150, 153, 154**

Activon Medical Grade Manuka Honey **146**  
 Activon Tulle **140**  
 Acti-Wrap **118**  
 Adapalene 0.1% cream **55**  
 Adapalene 0.1% gel **55**  
 Adhesive Bandage Elastic **115**  
 Adhesive Elastic Wound Dressing **140**  
 Adhesive Felt **136**  
 Adhesive Latex Foam **168**  
 Adhesives  
 Incontinence **185, 227**  
 Skin **176**  
 ADI Medical Derasure **158**  
 Adrenaline acid tartrate 1 in 1,000 injection 0.5ml  
 ampoules **55**  
 Adrenaline acid tartrate 1 in 1,000 injection 1ml  
 ampoules **55**  
 Adva-Co **116**  
 Advadraw **145**  
 Advadraw Spiral **145**  
 Advadress T<sup>™</sup> **179**  
 Advantage Plus **381**  
 Advasil **156**  
 Advasoft **120**  
 Advazorb **154**  
 Aerochamber Plus **114**  
 Albustix **381**  
 Alclometasone 0.05% cream **55**  
 Alclometasone 0.05% ointment **55**  
 Alendronic acid 10mg tablets **55**  
 Alendronic acid 5mg tablets **55**  
 Alendronic acid 70mg tablets **55**  
 Alfacalcidol 1microgram capsules **55**  
 Alfacalcidol 250nanogram capsules **55**  
 Alfacalcidol 500nanogram capsules **55**  
 Alfuzosin 10mg modified-release tablets **55**  
 Alfuzosin 2.5mg tablets **55**  
 Alginate Dressings **144—145**  
 Algisite M **144**  
 Algisite M-Rope **145**  
 Algivon **144**  
 Algosteril **144**  
 Algosteril Rope **145**  
 Alimemazine 10mg tablets **55**  
 Alimemazine 30mg/5ml oral solution **56**  
 Alimemazine 7.5mg/5ml oral solution **56**  
 Alione **149**  
 Aldress **143**  
 Allewyn **154**  
 Adhesive **153**  
 Cavity **145**  
 Compression **154**  
 Lite **152**  
 Lite Island **152**  
 Non Adhesive **155**  
 Plus Adhesive **153**  
 Plus Cavity **145**  
 Thin **152**  
 Allopurinol 100mg tablets **56**  
 Allopurinol 300mg tablets **56**  
 Almond Oil  
 Ear Drops **485**  
 Almond oil liquid **56**  
 Almotriptan 12.5mg tablets **56**  
 Alpha Keri Bath Oil **485**  
 Alprostadil 10microgram injection vials and  
 diluent **56**  
 Alprostadil 20microgram injection vials and  
 diluent **56**

Index

## INDEX

- Alprostadil 40microgram injection vials and diluent **56**  
Alprostadil 5microgram injection vials and diluent **56**  
Alum powder **56**  
Alverine 120mg capsules **56**  
Alverine 60mg capsules **56**  
Amantadine 100mg capsules **56**  
Amantadine 50mg/5ml oral solution **56**  
Amaranth solution **56**  
Amielle Comfort **183**  
Amiloride 2.5mg / Cyclopenthiiazide 250microgram tablets **56**  
Amiloride 5mg / Bumetanide 1mg tablets **56**  
Amiloride 5mg tablets **56**  
Aminoglutethimide 250mg tablets **56**  
Aminophylline 25mg/ml injection 10ml ampoules **56**  
Amiodarone 100mg tablets **56**  
Amiodarone 200mg tablets **56**  
Amisulpride 100mg tablets **56**  
Amisulpride 200mg tablets **56**  
Amisulpride 400mg tablets **56**  
Amisulpride 50mg tablets **56**  
Amitriptyline 10mg tablets **56**  
Amitriptyline 25mg tablets **56**  
Amitriptyline 25mg/5ml oral solution sugar free **56**  
Amitriptyline 50mg tablets **56**  
Amitriptyline 50mg/5ml oral solution sugar free **56**  
Amlodipine 10mg tablets **56**  
Amlodipine 5mg tablets **56**  
Ammonia and Ipecacuanha mixture **56**  
Ammonia solution aromatic **56**  
Ammonium acetate solution strong **56**  
Ammonium bicarbonate powder **56**  
Ammonium chloride mixture **57**  
Ammonium chloride powder **57**  
Amorolfine 0.25% cream **57**  
Amorolfine 5% paint **57**  
Amoxicillin  
    Capsules **483**  
    Oral Powder **483**  
    Oral Suspension **483**  
Amoxicillin 125mg/1.25ml oral suspension paediatric **57**  
Amoxicillin 125mg/5ml oral suspension **57**  
Amoxicillin 125mg/5ml oral suspension sugar free **57**  
Amoxicillin 1g injection vials **57**  
Amoxicillin 250mg capsules **57**  
Amoxicillin 250mg/5ml oral suspension **57**  
Amoxicillin 250mg/5ml oral suspension sugar free **57**  
Amoxicillin 3g oral powder sachets sugar free **57**  
Amoxicillin 500mg capsules **57**  
Amoxicillin 500mg injection vials **57**  
Amphotericin  
    Lozenges **483**  
    Oral Suspension **483**  
Amphotericin 100mg tablets **57**  
Amphotericin 100mg/ml oral suspension sugar free **57**  
Amphotericin 10mg lozenges **57**  
Ampicillin  
    Capsules **483**  
    Oral Suspension **483**  
Ampicillin 125mg/5ml oral suspension **57**  
Ampicillin 250mg capsules **57**  
Ampicillin 250mg/5ml oral suspension **57**  
Ampicillin 500mg capsules **57**  
Anastrozole 1mg tablets **57**  
Animal Wool (Chiropody) **136**  
Anise oil liquid **57**  
Anise water concentrated **57**  
Anklets, Elastic **160**  
Anusol Suppositories **51**  
Apomorphine 2mg sublingual tablets **57**  
Apomorphine 3mg sublingual tablets **57**  
Appliance Contractors - Provision for Payments for Prescriptions Dispensed Each Month **5—7**  
Appliances  
    Approved List **109—183**  
    Bandages, Interpretation **114**  
    Chiropody **136**  
    Incontinence Appliances **185, 227**  
    Limitation on Supply **3**  
    Meaning of Basic Price **6**  
    Out of Pocket Expenses **8**  
    Prescription Charges **471**  
    Provision for Determination of Basic Price **5**  
    Technical Specifications **111—112**  
Applicator, Vaginal **113**  
Aquacel **155**  
Aquacel Ag **156**  
Aquacel Ag Ribbon **145**  
Aquacel Ribbon **145**  
Aquaflor **151**  
AquaForm Hydrogel **150**  
Aqualub Lubricating Jelly **168**  
Aqueous calamine cream **57**  
Aqueous Cream **485**  
Aqueous cream **57**  
Arachis Oil **485**  
Arachis oil 130ml enema **57**  
Arachis Oil Enema **485**  
Arachis oil liquid **57**  
Aripiprazole 10mg tablets **57**  
Aripiprazole 15mg tablets **57**  
Aripiprazole 30mg tablets **57**  
Aripiprazole 5mg tablets **57**  
Arm Sling **113**  
Artificial Saliva **483**  
Artificial Saliva Substitutes **483**  
AS Saliva Orthana **483**  
Ascensia Autodisc **382**  
Ascensia Microfill **381**  
Ascensia Microlet Lancet **164**  
Ascorbic Acid  
    Tablets **483**  
Ascorbic acid 100mg tablets **57**  
Ascorbic acid 200mg tablets **57**  
Ascorbic acid 500mg tablets **58**  
Ascorbic acid 50mg tablets **58**  
Ascorbic acid powder **58**  
Ashbourne Emollient Medicinal Bath Oil **485**  
Askina Biofilm **148**  
Aspirin 300mg dispersible tablets **58**  
Aspirin 300mg gastro-resistant tablets **58**  
Aspirin 300mg tablets **58**  
Aspirin 75mg dispersible tablets **58**  
Aspirin 75mg gastro-resistant tablets **58**  
Aspirin 75mg tablets **58**  
Aspirin powder **58**  
Aspirin Tablets  
    Dispersible **483, 485**  
Asset Rings **182**  
Assist Erection Maintenance System **182**  
Atenolol 100mg tablets **58**  
Atenolol 25mg tablets **58**

## INDEX

- Atenolol 25mg/5ml oral solution sugar free **58**  
 Atenolol 50mg tablets **58**  
 Atomizers **113–114**  
 Atomoxetine 10mg capsules **58**  
 Atomoxetine 18mg capsules **58**  
 Atomoxetine 25mg capsules **58**  
 Atomoxetine 40mg capsules **58**  
 Atomoxetine 60mg capsules **58**  
 Atorvastatin 10mg tablets **58**  
 Atorvastatin 20mg tablets **58**  
 Atorvastatin 40mg tablets **58**  
 Atorvastatin 80mg tablets **58**  
 Atrauman **140**  
 Atropine 1% eye drops **58**  
 Atropine 1% eye ointment **58**  
 Atropine 600microgram tablets **58**  
 Atropine 600micrograms/ml injection 1ml ampoules **58**  
 Auranofin 3mg tablets **58**  
 Auto Inflation Device **114**  
 Autopen 24 **163**  
 Autopen Classic **163**  
 Autopen Junior **163**  
 Autopen Special Edition **163**  
 Avance **157**  
 Avance A **156**  
 Aviva **381**  
 Azathioprine 25mg tablets **58**  
 Azathioprine 50mg tablets **58**  
 Azathioprine Tablets **51**  
 Azelaic acid 20% cream **58**  
 Azelastine 140micrograms/actuation nasal spray **58**  
 Azithromycin  
   Oral Suspension **483**  
 Azithromycin 200mg/5ml oral suspension **58**  
 Azithromycin 250mg capsules **58**
- B**
- Baclofen 10mg tablets **59**  
 Baclofen 5mg/5ml oral solution sugar free **59**  
 Bactigras - See *Chlorhexidine Gauze Dressing*  
 Balneum **485**  
 Balsalazide 750mg capsules **59**  
 Bambuterol 10mg tablets **59**  
 Bambuterol 20mg tablets **59**  
 Bandages **114**  
 Bandaging - Multi-Layer **116–117**  
 Basic Price  
   Meaning for Approved Appliances **3, 109**  
   Meaning for Chemical Reagents **3**  
 Baxter Water for Irrigation **167**  
 BD Micro-Fine+ **164**  
 Beclometasone 0.025% cream **59**  
 Beclometasone 0.025% ointment **59**  
 Beclometasone 100microgram inhalation powder capsules **59**  
 Beclometasone 100micrograms/actuation breath actuated inhaler **59**  
 Beclometasone 100micrograms/actuation breath actuated inhaler CFC free **59**  
 Beclometasone 100micrograms/actuation inhaler **59**  
 Beclometasone 100micrograms/actuation inhaler CFC free **59**  
 Beclometasone 200microgram inhalation powder capsules **59**
- Beclometasone 200micrograms/actuation inhaler **59**  
 Beclometasone 250micrograms/actuation breath actuated inhaler **59**  
 Beclometasone 250micrograms/actuation inhaler **59**  
 Beclometasone 400microgram inhalation powder capsules **59**  
 Beclometasone 50micrograms/actuation breath actuated inhaler **59**  
 Beclometasone 50micrograms/actuation breath actuated inhaler CFC free **59**  
 Beclometasone 50micrograms/actuation inhaler **59**  
 Beclometasone 50micrograms/actuation inhaler CFC free **59**  
 Beclometasone 50micrograms/actuation nasal spray **59**  
 Beeswax white solid **59**  
 Beeswax yellow solid **59**  
 Belladonna  
   Plaster **170**  
 Below-Knee Stockings Elastic **159–161**  
 Belts  
   Suprapubic **173**  
 Benadryl Allergy Relief Capsules **51**  
 Bendroflumethiazide 2.5mg tablets **59**  
 Bendroflumethiazide 5mg tablets **59**  
 Benefoot Zinc Paste **120**  
 Benperidol 250microgram tablets **59**  
 Benzoic acid compound ointment **59**  
 Benzoin compound tincture **59**  
 Benzoin tincture **59**  
 Benzoyl peroxide 10% gel **59**  
 Benzoyl peroxide 2.5% gel **60**  
 Benzoyl peroxide 4% cream **60**  
 Benzoyl peroxide 5% / Clindamycin 1% gel **60**  
 Benzoyl peroxide 5% gel **60**  
 Benzylamine  
   Mouthwash **483**  
   Oromucosal Spray **483**  
 Benzylamine 0.15% mouthwash **60**  
 Benzylamine 0.15% oromucosal spray **60**  
 Benzylamine 3% cream **60**  
 Benzyl benzoate 25% application **60**  
 Benzyl benzoate crystals **60**  
 Benzylpenicillin 1.2g injection vials **60**  
 Benzylpenicillin 600mg injection vials **60**  
 Betahistine 16mg tablets **60**  
 Betahistine 8mg tablets **60**  
 Betamethasone 0.1% ear/eye/nose drops **60**  
 Betamethasone 0.1% eye ointment **60**  
 Betamethasone 0.1% foam **60**  
 Betamethasone dipropionate 0.05% / Calcipotriol 0.005% ointment **60**  
 Betamethasone valerate 0.025% cream **60**  
 Betamethasone valerate 0.025% ointment **60**  
 Betamethasone valerate 0.1% cream **60**  
 Betamethasone valerate 0.1% ointment **60**  
 Betamethasone valerate 0.1% scalp application **60**  
 Betaxolol 0.25% eye drops **60**  
 Betaxolol 0.5% eye drops **60**  
 Bezafibrate 200mg tablets **60**  
 Bezafibrate 400mg modified-release tablets **60**  
 Biatain Adhesive **153**  
 Biatain Non-Adhesive **155**  
 Biatain Soft Hold Dressing **155**  
 Bicalutamide 150mg tablets **60**  
 Bicalutamide 50mg tablets **60**

## INDEX

- Bimatoprost 300micrograms/ml eye drops **60**  
 Bioclusive **142**  
 Biosensor Strips **381–382**  
 Biotene Oralbalance **483**  
 Biotrol Drains S Fistula **158**  
 Bioxtra **483**  
 Bisacodyl  
     Suppositories **485**  
     Tablets **485**  
 Bisacodyl 10mg suppositories **60**  
 Bisacodyl 5mg gastro-resistant tablets **60**  
 Bisacodyl 5mg suppositories **60**  
 Bisgaard Leg Bandage See *Elastic Web with Foot Loop Bandages*  
 Bismuth subcarbonate powder **61**  
 Bisoprolol 1.25mg tablets **61**  
 Bisoprolol 10mg tablets **61**  
 Bisoprolol 2.5mg tablets **61**  
 Bisoprolol 5mg tablets **61**  
 Black currant syrup **61**  
 Bladder/Irrigating Syringe **178**  
 Blenderm Surgical Tape **174**  
 Blisterfilm Dressing **142**  
 Blom-Singer Truseal Humidifier System **178**  
 Blood Glucose Strips **381**  
 Blue Line Bandages **115**  
 BM-Accutest Strips **382**  
 Boots NRT Patches **486**  
 Borderline Substances  
     List A **413**  
     List B **439**  
 Boric acid powder **61**  
 Breast Reliever **121**  
 Breast Shields **121**  
 Brimonidine 0.2% eye drops **61**  
 Brinzolamide 10mg/ml eye drops **61**  
 Broken Bulk - Provision For Payment **8**  
 Bromocriptine 10mg capsules **61**  
 Bromocriptine 1mg tablets **61**  
 Bromocriptine 2.5mg tablets **61**  
 Bromocriptine 5mg capsules **61**  
 Brovon Midget Inhaler **113**  
 Brufen Tablets **51**  
 Buchanan  
     DeltaNex Protector **180**  
     Laryngectomy Protector **180**  
 Budesonide 100micrograms/actuation /  
     Formoterol 6micrograms/actuation dry  
     powder inhaler **61**  
 Budesonide 100micrograms/actuation dry  
     powder inhaler **61**  
 Budesonide 200micrograms/actuation /  
     Formoterol 6micrograms/actuation dry  
     powder inhaler **61**  
 Budesonide 200micrograms/actuation dry  
     powder inhaler **61**  
 Budesonide 200micrograms/actuation inhaler **61**  
 Budesonide 400micrograms/actuation /  
     Formoterol 12micrograms/actuation dry  
     powder inhaler **61**  
 Budesonide 400micrograms/actuation dry  
     powder inhaler **61**  
 Budesonide 50micrograms/actuation inhaler **61**  
 Budesonide 64micrograms/actuation nasal spray  
     **61**  
 Bug Buster Kit **162**  
 Bulk Prescriptions  
     Exemption From Prescription Charges **476**  
 Bumetanide 1mg tablets **61**  
 Bumetanide 1mg/5ml oral solution sugar free **61**  
 Bumetanide 500microgram / Potassium 7.7mmol  
     modified-release tablets **61**  
 Bumetanide 5mg tablets **61**  
 Bunion Rings **136**  
 Buprenorphine 200microgram sublingual tablets  
     sugar free **61**  
 Buprenorphine 2mg sublingual tablets sugar free  
     **61**  
 Buprenorphine 400microgram sublingual tablets  
     sugar free **61**  
 Buprenorphine 8mg sublingual tablets sugar free  
     **61**  
 Bupropion 150mg modified-release tablets **62**  
 Buspirone 10mg tablets **62**  
 Buspirone 5mg tablets **62**
- C**  
 Cabergoline 1mg tablets **62**  
 Cabergoline 2mg tablets **62**  
 Cabergoline 4mg tablets **62**  
 Cabergoline 500microgram tablets **62**  
 Cade oil liquid **62**  
 Cadesorb **156**  
 Cadexomer-Iodine  
     Ointment **485**  
     Paste **485**  
     Powder **485**  
 Calamine lotion **62**  
 Calamine oily lotion **62**  
 Calamine powder **62**  
 Calcipotriol 50micrograms/g cream **62**  
 Calcipotriol 50micrograms/g ointment **62**  
 Calcipotriol 50micrograms/ml scalp solution **62**  
 Calcium and Ergocalciferol tablets **62**  
 Calcium carbonate 1.25g chewable tablets **62**  
 Calcium carbonate 2.5g chewable tablets **62**  
 Calcium carbonate powder **62**  
 Calcium gluconate 1g effervescent tablets **62**  
 Calcium lactate 300mg tablets **62**  
 Calendar Packs **8**  
 Calico Bandage Triangular **120**  
 Camphor racemic powder **62**  
 Camphor water concentrated **62**  
 Candesartan 16mg tablets **62**  
 Candesartan 2mg tablets **62**  
 Candesartan 32mg tablets **62**  
 Candesartan 4mg tablets **62**  
 Candesartan 8mg tablets **62**  
 Capillary Action Absorbent Wound Dressing **145**  
 Capoten Tablets **51**  
 Capsaicin 0.025% cream **62**  
 Capsaicin 0.075% cream **62**  
 Capsicum tincture **62**  
 Captopril 12.5mg tablets **62**  
 Captopril 25mg tablets **62**  
 Captopril 50mg tablets **62**  
 Carbamazepine  
     Tablets **483**  
 Carbamazepine 100mg tablets **62**  
 Carbamazepine 100mg/5ml oral suspension  
     sugar free **62**  
 Carbamazepine 200mg modified-release tablets  
     **62**  
 Carbamazepine 200mg tablets **63**  
 Carbamazepine 400mg modified-release tablets  
     **63**  
 Carbamazepine 400mg tablets **63**  
 Carbaryl 0.5% alcoholic lotion **63**

## INDEX

- Carbaryl 1% aqueous liquid **63**  
 Carbimazole 20mg tablets **63**  
 Carbimazole 5mg tablets **63**  
 Carbocisteine 125mg/5ml oral solution **63**  
 Carbocisteine 250mg/5ml oral solution **63**  
 Carbocisteine 375mg capsules **63**  
 Carboflex **143**  
 Carbomer 980 0.2% eye drops **63**  
 Carbopad VC **143**  
 Cardamom compound tincture **63**  
 Carmellose 1% eye drops 0.4ml unit dose preservative free **63**  
 Carmellose Gelatin Paste **63, 483**  
 Carteolol 1% eye drops **63**  
 Carteolol 2% eye drops **63**  
 Carvedilol 12.5mg tablets **63**  
 Carvedilol 25mg tablets **63**  
 Carvedilol 3.125mg tablets **63**  
 Carvedilol 6.25mg tablets **63**  
 Cascade Shower Protector **180**  
 Castor oil liquid **63**  
 Catgut Sutures **175**  
 Catheter Maintenance Solution  
     Chlorhexidine **485**  
     Sodium **485**  
     Solution 'G' **485**  
     Solution 'R' **485**  
 Catheter Maintenance Solutions **121**  
     OptiFlo G **121**  
     OptiFlo R **121**  
     OptiFlo S **121**  
     Uriflex G **121**  
     Uriflex R **121**  
     Uriflex S **121**  
     Uriflex SP **121**  
     Uriflex W **121**  
     Uro-Tainer NaCl **121**  
     Uro-Tainer Twin Solutio R **121**  
     Uro-Tainer Twin Suby G **121**  
 Catheters  
     Accessories **121**  
     External **188**  
     Maintenance Solutions **485**  
     Urinary, Urethral **122**  
     Valves **186**  
 Catheters, Urinary, Urethral **122**  
 Catrix **145**  
 Cavi-Care **145**  
 Cavity Dressing **145**  
 Cefaclor 125mg/5ml oral suspension **63**  
 Cefaclor 125mg/5ml oral suspension sugar free **63**  
 Cefaclor 250mg capsules **63**  
 Cefaclor 250mg/5ml oral suspension **63**  
 Cefaclor 250mg/5ml oral suspension sugar free **63**  
 Cefaclor 375mg modified-release tablets **63**  
 Cefaclor 500mg capsules **63**  
 Cefadroxil 125mg/5ml oral suspension **63**  
 Cefadroxil 250mg/5ml oral suspension **63**  
 Cefadroxil 500mg capsules **63**  
 Cefadroxil 500mg/5ml oral suspension **63**  
 Cefalexin  
     Capsules **483**  
     Oral Suspension **483**  
     Tablets **483**  
 Cefalexin 125mg/5ml oral suspension **63**  
 Cefalexin 250mg capsules **63**  
 Cefalexin 250mg tablets **64**  
 Cefalexin 250mg/5ml oral suspension **64**  
 Cefalexin 500mg capsules **64**  
 Cefalexin 500mg tablets **64**  
 Cefalexin 500mg/5ml oral suspension **64**  
 Cefixime 200mg tablets **64**  
 Cefotaxime 1g injection vials **64**  
 Cefotaxime 2g injection vials **64**  
 Cefotaxime 500mg injection vials **64**  
 Cefpodoxime 100mg tablets **64**  
 Cefradine  
     Capsules **483**  
     Oral Solution **483**  
 Cefradine 250mg capsules **64**  
 Cefradine 250mg/5ml oral solution **64**  
 Cefradine 500mg capsules **64**  
 Ceftriaxone 1g injection vials **64**  
 Ceftriaxone 250mg injection vials **64**  
 Ceftriaxone 2g injection vials **64**  
 Cefuroxime 125mg tablets **64**  
 Cefuroxime 250mg tablets **64**  
 Celecoxib 100mg capsules **64**  
 Celecoxib 200mg capsules **64**  
 Celiprolol 200mg tablets **64**  
 Celiprolol 400mg tablets **64**  
 Cellona **120**  
 Cellosene **136**  
 Cellulose Wadding **136**  
 Central Gard Dressing **142**  
 Ceporex Capsules **51**  
 Cervical Collar **136**  
 Cetirizine 10mg tablets **64**  
 Cetirizine 1mg/ml oral solution sugar free **64**  
 Cetomacrogol cream (Formula A) **64**  
 Cetragen **485**  
 Cetragen Emollient Bath Additive **486**  
 Chalk powder **64**  
 Charcoal Dressing **143**  
 Charges Payable **471**  
 Chemical Reagents  
     Approved List **381**  
 Chiropody Appliances **136**  
 Chloral hydrate crystals **64**  
 Chloramphenicol 0.5% eye drops **64**  
 Chloramphenicol 1% eye ointment **64**  
 Chloramphenicol 5% ear drops **64**  
 Chlordiazepoxide 10mg capsules **64**  
 Chlordiazepoxide 10mg tablets **64**  
 Chlordiazepoxide 5mg capsules **64**  
 Chlordiazepoxide 5mg tablets **64**  
 Chlorhexidine  
     Gauze Dressing **140**  
     Gluconate Gel **483**  
     Mouthwash **483**  
     Oral Spray **483**  
 Chlorhexidine 0.2% oral spray **64**  
 Chlorhexidine 1% dental gel **64**  
 Chlorhexidine gluconate 0.2% mouthwash **64**  
 Chloroform and Morphine tincture **64**  
 Chloroform spirit **64**  
 Chloroform water concentrated **65**  
 Chloroquine phosphate 250mg tablets **65**  
 Chloroquine sulphate 200mg tablets **65**  
 Chlorphenamine  
     Tablets **483**  
 Chlorphenamine 10mg/ml injection 1ml ampoules **65**  
 Chlorphenamine 2mg/5ml oral solution **65**  
 Chlorphenamine 2mg/5ml oral solution sugar free **65**  
 Chlorphenamine 4mg tablets **65**  
 Chlorpromazine 100mg tablets **65**  
 Chlorpromazine 10mg tablets **65**

## INDEX

- Chlorpromazine 25mg tablets **65**  
 Chlorpromazine 25mg/5ml oral solution **65**  
 Chlorpromazine 50mg tablets **65**  
 Chlortalidone 50mg tablets **65**  
 Cholecystographic Examination **381**  
 Choline salicylate 8.7% oromucosal gel sugar free **65**  
 Choline Salicylate Dental Gel **483, 485**  
 Choline Salicylate Dental Paste *Sée - Choline Salicylate Dental Gel*  
 Chromic Catgut Suture **175**  
 Cica-Care **156**  
 Ciclosporin 100mg capsules **65**  
 Ciclosporin 100mg/ml oral solution sugar free **65**  
 Ciclosporin 25mg capsules **65**  
 Ciclosporin 50mg capsules **65**  
 Cilostazol 100mg tablets **65**  
 Cimetidine 200mg tablets **65**  
 Cimetidine 200mg/5ml oral solution **65**  
 Cimetidine 200mg/5ml oral solution sugar free **65**  
 Cimetidine 200mg/5ml oral suspension sugar free **65**  
 Cimetidine 400mg tablets **65**  
 Cimetidine 800mg tablets **65**  
 Cinnarizine 15mg tablets **65**  
 Ciprofibrate 100mg tablets **65**  
 Ciprofloxacin 0.3% eye drops **65**  
 Ciprofloxacin 100mg tablets **65**  
 Ciprofloxacin 250mg tablets **65**  
 Ciprofloxacin 250mg/5ml oral suspension **65**  
 Ciprofloxacin 500mg tablets **65**  
 Ciprofloxacin 750mg tablets **65**  
 Citalopram 10mg tablets **65**  
 Citalopram 20mg tablets **65**  
 Citalopram 40mg tablets **65**  
 Citalopram 40mg/ml oral solution sugar free **65**  
 Citric acid monohydrate powder **65**  
 Clarithromycin 125mg/5ml oral suspension **66**  
 Clarithromycin 250mg tablets **66**  
 Clarithromycin 250mg/5ml oral suspension **66**  
 Clarithromycin 500mg modified-release tablets **66**  
 Clarithromycin 500mg tablets **66**  
 Cleanlet Fine Lancet **164**  
 Clemastine 1mg tablets **66**  
 Clement Clarke **169**  
 Clindamycin  
     Capsules **483**  
 Clindamycin 1% alcoholic solution **66**  
 Clindamycin 1% aqueous lotion **66**  
 Clindamycin 150mg capsules **66**  
 Clindamycin 2% vaginal cream **66**  
 Clindamycin 75mg capsules **66**  
 Clini Cervical Collar **136**  
 Clinipore **174**  
 CliniSorb **143**  
 Clinistix **381**  
 Clioquinol 1% / Flumetasone 0.02% ear drops **66**  
 Clioquinol 3% / Betamethasone valerate 0.1% cream **66**  
 Clioquinol 3% / Betamethasone valerate 0.1% ointment **66**  
 Clobazam 10mg tablets **66**  
 Clobetasol 0.05% cream **66**  
 Clobetasol 0.05% ointment **66**  
 Clobetasol 0.05% scalp application **66**  
 Clobetasone 0.05% cream **66**  
 Clobetasone 0.05% ointment **66**  
 Clomethiazole 192mg capsules **66**  
 Clomethiazole 250mg/5ml oral solution sugar free **66**  
 Clomifene 50mg tablets **66**  
 Clomipramine 10mg capsules **66**  
 Clomipramine 25mg capsules **66**  
 Clomipramine 50mg capsules **66**  
 Clomipramine 75mg modified-release tablets **66**  
 Clonazepam 2mg tablets **66**  
 Clonazepam 500microgram tablets **66**  
 Clonidine 100microgram tablets **66**  
 Clonidine 25microgram tablets **66**  
 Clonidine 300microgram tablets **67**  
 Clopidogrel 75mg tablets **67**  
 Cloral betaine 707mg tablets **67**  
 Clotrimazole  
     Cream **485**  
 Clotrimazole 1% / Betamethasone dipropionate 0.05% cream **67**  
 Clotrimazole 1% / Hydrocortisone 1% cream **67**  
 Clotrimazole 1% cream **67**  
 Clotrimazole 10% vaginal cream **67**  
 Clotrimazole 100mg pessaries **67**  
 Clotrimazole 200mg pessaries **67**  
 Clotrimazole 500mg pessaries **67**  
 Clove oil liquid **67**  
 CoaguChek PT **382**  
 CoaguChek XS PT Test **382**  
 Coal tar solution **67**  
 Coal tar solution strong **67**  
 Co-amilofruse 10/80 tablets **67**  
 Co-amilofruse 2.5/20 tablets **67**  
 Co-amilofruse 5/40 tablets **67**  
 Co-amilozide 2.5/25 tablets **67**  
 Co-amilozide 5/50 tablets **67**  
 Co-amoxiclav 125/31 oral suspension sugar free **67**  
 Co-amoxiclav 250/125 dispersible tablets **67**  
 Co-amoxiclav 250/125 tablets **67**  
 Co-amoxiclav 250/62 oral suspension sugar free **67**  
 Co-amoxiclav 400/57 oral suspension sugar free **67**  
 Co-amoxiclav 500/125 tablets **67**  
 Coban Bandage **116**  
 Co-beneldopa 12.5/50 capsules **67**  
 Co-beneldopa 12.5/50 dispersible tablets **67**  
 Co-beneldopa 25/100 capsules **67**  
 Co-beneldopa 25/100 dispersible tablets **67**  
 Co-beneldopa 50/200 capsules **67**  
 Cocaine hydrochloride powder **67**  
 Co-careldopa 10/100 tablets **67**  
 Co-careldopa 12.5/50 tablets **67**  
 Co-careldopa 25/100 tablets **67**  
 Co-careldopa 25/250 tablets **67**  
 Co-codamol 15/500 tablets **67**  
 Co-codamol 30/500 capsules **67**  
 Co-codamol 30/500 effervescent tablets **68**  
 Co-codamol 30/500 tablets **68**  
 Co-codamol 8/500 effervescent tablets **68**  
 Co-codamol 8/500 tablets **68**  
 Co-codaprin 8/400 dispersible tablets **68**  
 Coconut oil **68**  
 Co-cyprindiol 2000/35 tablets **68**  
 Co-danthramer  
     Capsules **485**  
     Capsules Strong **485**  
     Oral Suspension **485**  
     Oral Suspension Strong **485**  
 Co-danthramer 25/200 capsules **68**



## INDEX

- Co-danthramer 25/200 oral suspension sugar free **68**  
 Co-danthramer 37.5/500 capsules strong **68**  
 Co-danthramer 75/1000 oral suspension strong sugar free **68**  
 Co-danthrusate  
   Capsules **485**  
   Oral Suspension **485**  
 Co-danthrusate 50/60 capsules **68**  
 Co-danthrusate 50/60 oral suspension sugar free **68**  
 Codeine 15mg tablets **68**  
 Codeine 15mg/5ml linctus **68**  
 Codeine 15mg/5ml linctus sugar free **68**  
 Codeine 25mg/5ml oral solution **68**  
 Codeine 30mg tablets **68**  
 Codeine 3mg/5ml linctus paediatric sugar free **68**  
 Codeine 60mg tablets **68**  
 Codeine phosphate powder **68**  
 Co-dydramol 10/500 tablets **68**  
 Co-fluampicil 125/125 oral suspension **68**  
 Co-fluampicil 250/250 capsules **68**  
 Co-flumactone 25/25 tablets **68**  
 Co-flumactone 50/50 tablets **68**  
 Colchicine 500microgram tablets **68**  
 Colestyramine 4g oral powder sachets **68**  
 Colestyramine 4g oral powder sachets sugar free **68**  
 Collagen Dressing **145**  
 CombiDERM **149**  
 CombiDERM-N **149**  
 Comfeel Paste **150**  
 Comfeel Plus Contour **146**  
 Comfeel Plus Pressure Relieving Dressing **146**  
 Comfeel Plus Transparent Dressing **148**  
 Comfeel Plus Ulcer Dressing **147**  
 Comifast **172**  
 Comifast Easy Wrap **172**  
 Comiffoam Dressing **154, 155**  
 Comfigrip **171**  
 Common Pack List **51**  
 Compact Strips **382**  
 Compound Macrogol 13.8g oral powder sachets **68**  
 Compound Macrogol Oral Powder **486**  
 Compound Sodium Chloride Mouth-wash **483**  
 Compression Bandages High **116**  
 Compression Hosiery - *See Elastic Hosiery*  
 Comprilan **119**  
 Confidence Rings **182**  
 Conforming Bandage (Synthetic) **114**  
 Conforming Foam Cavity Wound Dressing **145**  
 Conjugated oestrogens 1.25mg tablets **69**  
 Conjugated oestrogens 625microgram tablets **69**  
 Constrictor Rings **182**  
 Container - Allowance and Suitability **5, 21**  
 Contraceptive Devices **136–137**  
 Contreet  
   Foam **156**  
   Foam Filler **145**  
   Hydrocolloid **150**  
 ConvaTec Wound Manager **158**  
 Coolie **151**  
 Co-phenotrope 2.5/0.025 tablets **69**  
 Copper sulphate pentahydrate powder **69**  
 Co-prenozide 160/0.25 modified-release tablets **69**  
 Co-proxamol 32.5/325 tablets **69**  
 Corn Rings **136**  
 Cortisone 25mg tablets **69**  
 Co-simalcite 125/500 oral suspension sugar free **69**  
 Cosmopor E **139**  
 Co-tenidone 100/25 tablets **69**  
 Co-tenidone 50/12.5 tablets **69**  
 Co-triamterzide 50/25 tablets **69**  
 Co-trimoxazole 80/400 tablets **69**  
 Cotton Absorbent **113**  
 Cotton and Gauze Pads *See - Filmed Gauze Swabs*  
 Cotton Bandages  
   Conforming **114**  
   Crêpe **114**  
   Elastic, Heavy **114**  
   Stretch **115**  
   Suspensory **120**  
 Cotton Gauze  
   Absorbent **161**  
   And Viscose **161**  
 Cotton Stockinette **171**  
 Cotton Wools **113**  
 Cotton, Polyamide and Elastane Bandage **115**  
 Coverflex **172**  
 Crepe Bandages **114**  
 Crinx Bandages **114**  
 Criteria notified under the Transparency Directive **533**  
 Crotamiton 10% cream **69**  
 Crotamiton 10% lotion **69**  
 Crotamiton Cream **485**  
 Crotamiton Lotion **485**  
 Curafoam Island **154**  
 Curafoam Plus **155**  
 Curagel **151**  
 Curagel Island **151**  
 Curasorb **144**  
 Curasorb Plus **144**  
 Curasorb Rope **145**  
 Curasorb Zn **144**  
 Cutinova Hydro **155**  
 Cutinova Hydro Border **155**  
 C-View **142**  
 C-View Dressing **142**  
 Cyanocobalamin 1mg/ml injection 1ml ampoules **69**  
 Cyanocobalamin 50microgram tablets **69**  
 Cyclizine 50mg tablets **69**  
 Cyclizine 50mg/ml injection 1ml ampoules **69**  
 Cyclohaler **167**  
 Cyclopenthiiazide 500microgram tablets **69**  
 Cyclopentolate 0.5% eye drops **69**  
 Cyclopentolate 1% eye drops **69**  
 Cyclophosphamide 50mg tablets **69**  
 Cyproterone 100mg tablets **69**
- D**  
 Danazol 100mg capsules **69**  
 Danazol 200mg capsules **69**  
 Dantrolene 100mg capsules **69**  
 Dantrolene 25mg capsules **69**  
 Dapsone 100mg tablets **69**  
 Dapsone 50mg tablets **69**  
 Decubal Clinic **485**  
 Deduction Scale **23–25**  
 Delfen Foam **486**  
 Deltacortril Tablets **51**  
 DeltaNex Protector **180**  
 Dental Gel **483**

## INDEX

- Dental Practitioners - Approved List of Prescribable Preparations **483**
- Dermabond **176**
- Dermalo Bath Emollient **486**
- Dermamist **485**
- Dermax **156**
- Desloratadine 2.5mg/5ml oral solution **69**
- Desloratadine 5mg tablets **69**
- Desmopressin 100micrograms/ml intranasal solution **69**
- Desmopressin 10micrograms/actuation nasal spray **70**
- Detection Strips **381—382**
- Dexamethasone 0.1% / Hypromellose 0.5% eye drops **70**
- Dexamethasone 2mg tablets **70**
- Dexamethasone 500microgram tablets **70**
- Dexamethasone Tablets **51**
- Dexamfetamine 5mg tablets **70**
- Dexomon SR Tablets **51**
- Diabur Test 5000 **381**
- Diamorphine 100mg injection ampoules **70**
- Diamorphine 10mg injection ampoules **70**
- Diamorphine 10mg tablets **70**
- Diamorphine 30mg injection ampoules **70**
- Diamorphine 500mg injection ampoules **70**
- Diamorphine 5mg injection ampoules **70**
- Diamorphine hydrochloride powder **70**
- Diaphragm Vaginal Contraceptive **137**
- Diastix **381**
- Diazepam  
Oral Solution **483**  
Tablets **483**
- Diazepam 10mg tablets **70**
- Diazepam 2mg tablets **70**
- Diazepam 2mg/5ml oral solution **70**
- Diazepam 2mg/ml rectal solution 2.5ml tube **70**
- Diazepam 4mg/ml rectal solution 2.5ml tube **70**
- Diazepam 5mg tablets **70**
- Diazepam 5mg/ml injection 2ml ampoules **70**
- Diclofenac 1% gel **70**
- Diclofenac 100mg suppositories **70**
- Diclofenac 12.5mg suppositories **70**
- Diclofenac 25mg suppositories **70**
- Diclofenac 25mg/ml injection 3ml ampoules **70**
- Diclofenac 50mg dispersible tablets **70**
- Diclofenac 50mg suppositories **70**
- Diclofenac potassium 25mg tablets **70**
- Diclofenac potassium 50mg tablets **70**
- Diclofenac sodium 100mg modified-release capsules **70**
- Diclofenac sodium 25mg gastro-resistant tablets **70**
- Diclofenac sodium 3% gel **70**
- Diclofenac sodium 50mg gastro-resistant / Misoprostol 200microgram tablets **71**
- Diclofenac sodium 50mg gastro-resistant tablets **71**
- Diclofenac sodium 75mg gastro-resistant / Misoprostol 200microgram tablets **71**
- Diclofenac sodium 75mg gastro-resistant modified-release capsules **71**
- Diclofenac sodium 75mg modified-release capsules **71**
- Dicycloverine 10mg tablets **71**
- Dicycloverine 10mg/5ml oral solution **71**
- Dicycloverine 20mg tablets **71**
- Diethylamine salicylate 10% cream **71**
- Diethylstilbestrol 1mg tablets **71**
- Diethylstilbestrol 5mg tablets **71**
- Diffunisal  
Tablets **483**
- Diffunisal 250mg tablets **71**
- Diffunisal 500mg tablets **71**
- Digitoxin 100microgram tablets **71**
- Digoxin 125microgram tablets **71**
- Digoxin 250microgram tablets **71**
- Digoxin 50micrograms/ml oral solution **71**
- Digoxin 62.5microgram tablets **71**
- Dihydrocodeine  
Tablets **483**
- Dihydrocodeine 10mg/5ml oral solution **71**
- Dihydrocodeine 120mg modified-release tablets **71**
- Dihydrocodeine 30mg tablets **71**
- Dihydrocodeine 50mg/ml injection 1ml ampoules **71**
- Dihydrocodeine 60mg modified-release tablets **71**
- Dihydrocodeine 90mg modified-release tablets **71**
- Diltiazem 200mg modified-release capsules **71**
- Diltiazem 60mg modified-release capsules **71**
- Diltiazem 60mg modified-release tablets **71**
- Dipivefrine 0.1% eye drops **71**
- Diprobath  
Cream **485**  
Ointment **485**
- Diprobath **486**
- Dipyridamole  
Tablets **51**
- Dipyridamole 100mg tablets **71**
- Dipyridamole 200mg modified-release capsules **72**
- Dipyridamole 25mg tablets **72**
- Discount  
Provision **5**  
Scale Pharmacy Contractors **23—25**
- Disodium etidronate 200mg tablets **72**
- Disopyramide 100mg capsules **72**
- Disopyramide 150mg capsules **72**
- Disopyramide 250mg modified-release tablets **72**
- Dispensing Fees - Appliance Contractors **19**  
Provision for Payment **5—7**  
Scale of Fees **19**
- Disposable Protectives **170**
- Dispos-A-Gloves **170**
- Disulfiram 200mg tablets **72**
- Dithranol powder **72**
- Docusate  
Enema Compound **485**  
Oral Solution **485**  
Oral Solution, Paediatric **485**
- Docusate 100mg capsules **72**
- Docusate 12.5mg/5ml oral solution sugar free **72**
- Docusate 50mg/5ml oral solution sugar free **72**
- Domperidone 10mg tablets **72**
- Domperidone 30mg suppositories **72**
- Domperidone 5mg/5ml oral suspension sugar free **72**
- Donepezil 10mg tablets **72**
- Donepezil 5mg tablets **72**
- Dorzolamide 2% / Timolol 0.5% eye drops **72**
- Dorzolamide 2% eye drops **72**
- Dosulepin 25mg capsules **72**
- Dosulepin 75mg tablets **72**
- Doublebase **485**
- Douches  
Spare Plastics Tubing **137**

## INDEX

- Doxazosin 1mg tablets **72**  
 Doxazosin 2mg tablets **72**  
 Doxazosin 4mg modified-release tablets **72**  
 Doxazosin 4mg tablets **72**  
 Doxazosin 8mg modified-release tablets **72**  
 Doxepin 10mg capsules **72**  
 Doxepin 25mg capsules **72**  
 Doxepin 50mg capsules **72**  
 Doxepin 75mg capsules **72**  
 Doxycycline  
   Capsules **483**  
   Tablets **483**  
 Doxycycline 100mg capsules **72**  
 Doxycycline 20mg tablets **72**  
 Doxycycline 50mg capsules **72**  
 Dressing **138—143**  
   Absorbent Cellulose **138**  
   Gauze (Impregnated) **140**  
   Knitted Viscose **140**  
   Multiple Packs **140**  
   Perforated Film Absorbent Sterile **141**  
   Povidone Iodine Fabric **141**  
   Standard **141**  
   Sterile Packs **141**  
     with Non-Woven Pads **141**  
   Vapour-Permeable Adhesive Film **142**  
   Vapour-Permeable Waterproof Plastic Wound **143**  
 Dress-it **141**  
 Drisorb Dressing Pad **138**  
 Droppers Glass For Eye, Ear, and Nasal drops **21, 159**  
 Dry Mouth Products **159**  
 Dumas Cap **137**  
 DuoDERM Extra Thin **148**  
 DuoDERM Signal **147**  
 Duragel Gel **486**  
 Durex Vaginal Applicator **113**  
 Durolane **177**  
 Dutasteride 500microgram capsules **72**  
 Dydrogesterone 10mg tablets **72**
- E**
- E.I.D. **181**  
 E45 Cream **485**  
 Ear Syringe **178**  
 Ear Wax Softening Medical Devices **159**  
 Easifast **172**  
 Easifix Bandage **118**  
 easiGRIP **171**  
 Eclipse **138**  
 Econazole Cream **485**  
 Eesiban ESTS **171**  
 Eesiban Ribbed Stockinette **173**  
 Eesiness Soft Cervical Foam Collar **136**  
 Elantan Tablets **51**  
 Elastic Adhesive Tape **174**  
 Elastic Band Trusses **181**  
 Elastic Bandage  
   Adhesive **115**  
     Heavy Cotton and Rubber **116**  
     Web, Blue Line **115**  
     Web, Without Foot Loop **115**  
 Elastic Bandages  
   Web, with Foot Loop **115**  
 Elastic Hosiery **159—161**  
   Circular Knit **160—161**  
   Descriptions and Diagrams **160—161**  
   Flat Bed Knit **160—161**  
   Lightweight Elastic Net **160**  
   One Way Stretch **160**  
 Elasticated Stockinette **171—172**  
   Cotton and Viscose **173**  
   Foam Padded **171**  
   Tubular **171**  
   Viscose Bandage **172**  
   Viscose Garments **172**  
 Elastomer and Viscose Bandage Knitted **115**  
 Elastoweb (*See Heavy Cotton and Rubber Elastic Bandage*)  
 Elite Lubricating Jelly **168**  
 Elite Plus 2 Vacuum Pump **181**  
 Elite Plus Vacuum Pump **181**  
 Elite Vacuum Pump **181**  
 Elset **116, 117**  
 Elset S **116**  
 EMA Film Gloves **170**  
 Emollients **161**  
 EMS Tracheostomy Tube **179**  
 Emulsifying Ointment **485**  
 Emulsifying ointment **73**  
 Emulsifying wax **73**  
 Enalapril 10mg tablets **73**  
 Enalapril 2.5mg tablets **73**  
 Enalapril 20mg / Hydrochlorothiazide 12.5mg tablets **73**  
 Enalapril 20mg tablets **73**  
 Enalapril 5mg tablets **73**  
 Endorsement Requirements **7**  
 Enema Syringe (Higginson's) **178**  
 Entacapone 200mg tablets **73**  
 Epaderm **161, 485**  
 Ephedrine 0.5% nasal drops **73**  
 Ephedrine 1% nasal drops **73**  
 Ephedrine hydrochloride 15mg tablets **73**  
 Ephedrine hydrochloride 30mg tablets **73**  
 Ephedrine Nasal Drops **483**  
 Epiglu **176**  
 Epinastine 500micrograms/ml eye drops **73**  
 Eprosartan 300mg tablets **73**  
 Eprosartan 400mg tablets **73**  
 Eprosartan 600mg tablets **73**  
 ErectAssist **182**  
 ErectEase **182**  
 Ergocalciferol 1.25mg tablets **73**  
 Ergocalciferol 250microgram tablets **73**  
 Ergocalciferol 300,000units/ml injection 1ml ampoules **73**  
 Ergocalciferol 300,000units/ml injection 2ml ampoules **73**  
 Erythromycin  
   Tablets **483**  
 Erythromycin 2% solution **73**  
 Erythromycin 250mg gastro-resistant capsules **73**  
 Erythromycin 250mg gastro-resistant tablets **73**  
 Erythromycin 40mg/ml / Zinc acetate 12mg/ml lotion **73**  
 Erythromycin Ethyl Succinate  
   Oral Suspension **483**  
   Tablets **483**  
 Erythromycin ethyl succinate 125mg/5ml oral suspension **73**  
 Erythromycin ethyl succinate 125mg/5ml oral suspension sugar free **73**  
 Erythromycin ethyl succinate 250mg/5ml oral suspension **73**  
 Erythromycin ethyl succinate 250mg/5ml oral suspension sugar free **73**

## INDEX

- Erythromycin ethyl succinate 500mg tablets **73**  
 Erythromycin ethyl succinate 500mg/5ml oral suspension **73**  
 Erythromycin ethyl succinate 500mg/5ml oral suspension sugar free **74**  
 Erythromycin stearate 250mg tablets **74**  
 Erythromycin stearate 500mg tablets **74**  
 Erythromycin Stearate Tablets **483**  
 Escitalopram 10mg tablets **74**  
 Escitalopram 20mg tablets **74**  
 Escitalopram 5mg tablets **74**  
 Esomeprazole 20mg tablets **74**  
 Esomeprazole 40mg tablets **74**  
 Essential Small Pharmacies Scheme **403—405**  
 Estradiol 100mg implant **74**  
 Estradiol 25 micrograms vaginal tablets **74**  
 Estradiol 25mg implant **74**  
 Estradiol 50mg implant **74**  
 Estropipate 1.5mg tablets **74**  
 ESTS **171**  
 Etamsylate 500mg tablets **74**  
 Ethanol 90% (including duty) **74**  
 Ethanolamine oleate 5% injection 2ml ampoules **74**  
 Ethanolamine oleate 5% injection 5ml ampoules **74**  
 Ether solvent **74**  
 Ethinylestradiol 10microgram tablets **74**  
 Ethinylestradiol 1mg tablets **74**  
 Ethinylestradiol 50microgram tablets **74**  
 Ethosuximide 250mg capsules **74**  
 Ethosuximide 250mg/5ml oral solution **74**  
 Etodolac 600mg modified-release tablets **74**  
 Etoricoxib 120mg tablets **74**  
 Etoricoxib 60mg tablets **74**  
 Etoricoxib 90mg tablets **74**  
 Eucalyptus oil liquid **74**  
 Exel Comfort Point **164**  
 Exemptions From Prescription Charges **472**  
 Exu-Dry **138**  
 Eye Baths **161**  
 Eye Drop Dispensers **161**  
 Eye Pad with Bandage **141**  
 Eye Shade **161**  
 Ezetimibe 10mg tablets **74**
- F**
- Famciclovir 125mg tablets **74**  
 Famciclovir 250mg tablets **74**  
 Famciclovir 500mg tablets **74**  
 Famciclovir 750mg tablets **75**  
 Famotidine 20mg tablets **75**  
 Famotidine 40mg tablets **75**  
 Felbinac 3% gel **75**  
 Felbinac 3.17% foam **75**  
 Felodipine 10mg modified-release tablets **75**  
 Felodipine 2.5mg modified-release tablets **75**  
 Felodipine 5mg modified-release tablets **75**  
 Felt Wool, Surgical **136**  
 Felt, Adhesive **136**  
 FemCap **137**  
 Fenbufen 300mg capsules **75**  
 Fenbufen 300mg tablets **75**  
 Fenbufen 450mg tablets **75**  
 Fenofibrate 200mg capsules (micronised) **75**  
 Fentanyl 100micrograms/hour patches **75**  
 Fentanyl 25micrograms/hour patches **75**  
 Fentanyl 50micrograms/hour patches **75**  
 Fentanyl 75micrograms/hour patches **75**  
 Fermathron **177**  
 Ferraris **169**  
 Ferraris PiKo-1 **169**  
 Ferric chloride solution **75**  
 Ferrous fumarate 140mg/5ml oral solution **75**  
 Ferrous fumarate 140mg/5ml oral solution sugar free **75**  
 Ferrous fumarate 210mg tablets **75**  
 Ferrous gluconate 300mg tablets **75**  
 Ferrous sulphate 200mg tablets **75**  
 Fertility Thermometer **136**  
 Fexofenadine 120mg tablets **75**  
 Fexofenadine 180mg tablets **75**  
 Fexofenadine 30mg tablets **75**  
 Filmed Swabs  
     Gauze **177**  
     Non-Woven Fabric **177**  
 Finasteride 5mg tablets **75**  
 Fine Point Lancet **164**  
 Finger Cots **161**  
 Finger Stalls **161**  
 Flavoxate 200mg tablets **75**  
 Flecainide 100mg tablets **75**  
 Flecainide 50mg tablets **75**  
 Flexi T-300 **136**  
 Flexi T-380 IUD **136**  
 Flexi-Ban Bandage **120**  
 Flexible collodion methylated **75**  
 Flexiderm **178**  
 Flexigran **147**  
 Flexigran Gel **150**  
 Flexigran Thin **148**  
 Flexipore **152**  
 Flowfusor **167**  
 Flucloxacillin 125mg/5ml oral solution **75**  
 Flucloxacillin 125mg/5ml oral suspension **75**  
 Flucloxacillin 250mg capsules **75**  
 Flucloxacillin 250mg/5ml oral solution **75**  
 Flucloxacillin 250mg/5ml oral suspension **75**  
 Flucloxacillin 500mg capsules **75**  
 Fluconazole  
     Capsules **483**  
     Oral Suspension **483**  
 Fluconazole 150mg capsules **76**  
 Fluconazole 200mg capsules **76**  
 Fluconazole 200mg/5ml oral suspension **76**  
 Fluconazole 50mg capsules **76**  
 Fluconazole 50mg/5ml oral suspension **76**  
 Fludrocortisone 100microgram tablets **76**  
 Flunisolide 25micrograms/actuation nasal spray **76**  
 Fluocinolone 0.025% gel **76**  
 Fluoxetine 20mg capsules **76**  
 Fluoxetine 20mg/5ml oral solution **76**  
 Fluoxetine 60mg capsules **76**  
 Flupentixol 1mg tablets **76**  
 Flupentixol 3mg tablets **76**  
 Flupentixol 500microgram tablets **76**  
 Fluphenazine decanoate 100mg/ml injection 1ml ampoules **76**  
 Fluphenazine decanoate 25mg/ml injection 1ml ampoules **76**  
 Flurbiprofen 100mg tablets **76**  
 Flurbiprofen 200mg modified-release capsules **76**  
 Flurbiprofen 50mg tablets **76**  
 Flutamide 250mg tablets **76**  
 Fluticasone 0.005% ointment **76**  
 Fluticasone 0.05% cream **76**

## INDEX

- Fluticasone 100 micrograms/actuation dry powder inhaler **76**  
 Fluticasone 100micrograms/actuation / Salmeterol 50micrograms/actuation dry powder inhaler **76**  
 Fluticasone 125micrograms/actuation / Salmeterol 25micrograms/actuation inhaler CFC free **76**  
 Fluticasone 125micrograms/actuation inhaler CFC free **76**  
 Fluticasone 250 micrograms/actuation dry powder inhaler **76**  
 Fluticasone 250micrograms/actuation / Salmeterol 25micrograms/actuation inhaler CFC free **76**  
 Fluticasone 250micrograms/actuation / Salmeterol 50micrograms/actuation dry powder inhaler **76**  
 Fluticasone 250micrograms/actuation inhaler CFC free **77**  
 Fluticasone 50 micrograms/actuation dry powder inhaler **77**  
 Fluticasone 500 micrograms/actuation dry powder inhaler **77**  
 Fluticasone 500micrograms/actuation / Salmeterol 50micrograms/actuation dry powder inhaler **77**  
 Fluticasone 50micrograms/actuation / Salmeterol 25micrograms/actuation inhaler CFC free **77**  
 Fluticasone 50micrograms/actuation inhaler CFC free **77**  
 Fluticasone 50micrograms/actuation nasal spray **77**  
 Fluvastatin 20mg capsules **77**  
 Fluvastatin 40mg capsules **77**  
 Fluvastatin 80mg modified-release tablets **77**  
 Fluvoxamine 100mg tablets **77**  
 Fluvoxamine 50mg tablets **77**  
 Folic Acid  
   Oral Solution **486**  
   Tablets **486**  
 Folic acid 2.5mg/5ml oral solution sugar free **77**  
 Folic acid 400microgram tablets **77**  
 Folic acid 5mg tablets **77**  
 Formaldehyde solution **77**  
 Formoterol 12micrograms inhalation powder capsules with device **77**  
 Fosinopril 10mg tablets **77**  
 Fosinopril 20mg tablets **77**  
 Fraudulent Prescription Forms Reward Scheme **409—411**  
 Freestyle **164**  
 Freestyle Strips **382**  
 Fresenius Sodium Chloride **167**  
 Fresenius Water for Irrigation **167**  
 Furosemide 20mg tablets **77**  
 Furosemide 40mg tablets **77**  
 Furosemide 500mg tablets **77**  
 Fusidic acid 1% modified-release eye drops **77**  
 Fusidic acid 2% / Betamethasone valerate 0.1% cream **77**  
 Fusidic acid 2% / Hydrocortisone acetate 1% cream **77**  
 Fusidic acid 2% cream **77**
- G**  
 Gabapentin 100mg capsules **78**  
 Gabapentin 300mg capsules **78**  
 Gabapentin 400mg capsules **78**  
 Gabapentin 600mg tablets **78**  
 Gabapentin 800mg tablets **78**  
 Galpseud  
   Tablets **51**  
 Gammaderm Cream **485**  
 Gauze Dressings (Impregnated) **140**  
 Gauze Pads **177**  
 Gauze Swab **177**  
   Filmated **177**  
   Non Sterile **177**  
   Sterile **177**  
 Gauze Tissue **162**  
   Cotton **162**  
 Gauzes **161**  
 Gauzes Dressings (Impregnated)  
   Chlorhexidine **140**  
   Paraffin **140**  
 Gaviscon Liquid **51**  
 Gel FX **151**  
 Gelclair **168**  
 Geliperm **151**  
 Gemfibrozil 300mg capsules **78**  
 Gemfibrozil 600mg tablets **78**  
 Genesis Constriction Ring **182**  
 Gentamicin 0.3% ear/eye drops **78**  
 Gentian acid mixture **78**  
 Gentian compound infusion concentrated **78**  
 Ginger syrup **78**  
 Ginger tincture strong **78**  
 Glandosane **483**  
 Glass Droppers **21**  
 Glibenclamide 2.5mg tablets **78**  
 Glibenclamide 5mg tablets **78**  
 Gliazide 30mg modified-release tablets **78**  
 Gliazide 80mg tablets **78**  
 Glimepiride 1mg tablets **78**  
 Glimepiride 2mg tablets **78**  
 Glimepiride 3mg tablets **78**  
 Glimepiride 4mg tablets **78**  
 Glipizide 2.5mg tablets **78**  
 Glipizide 5mg tablets **78**  
 Gloves  
   EMA Disposable **170**  
   Polythene, Disposable **170**  
 Glucoflex-R Strips **381**  
 GlucoMen Lancet **164**  
 GlucoMen Sensors **381**  
 Glucose 50% intravenous infusion 50ml vials **78**  
 Glucose liquid BPC1963 **78**  
 Glycerol 1g suppositories **78**  
 Glycerol 2g suppositories **78**  
 Glycerol 4g suppositories **78**  
 Glycerol liquid **78**  
 Glycerol Suppositories **486**  
 Glyceryl trinitrate 300microgram sublingual tablets **78**  
 Glyceryl trinitrate 400micrograms/actuation sublingual spray **78**  
 Glyceryl trinitrate 500microgram sublingual tablets **78**  
 Glyceryl trinitrate 600microgram sublingual tablets **78**  
 Glycosuria Detection Strips **381**  
 Goserelin 10.8mg implant pre-filled syringes **78**  
 Goserelin 3.6mg implant pre-filled syringes **78**  
 Grade of Drug or Preparation General Requirements **3**  
 Graduated Compression Hosiery See *Elastic Hosiery* **159—161**

## INDEX

- Granuflex **147**  
 Granugel Hydrocolloid Gel **150**  
 GyneFix IN **136**  
 GyneFix PT **136**  
 Gyne-T380S **137**  
 Gynol II Jelly **486**  
 Gypsona Bandage **118**
- H**
- Halibut-liver oil 4000unit capsules **79**  
 Haloperidol 1.5mg tablets **79**  
 Haloperidol 10mg tablets **79**  
 Haloperidol 20mg tablets **79**  
 Haloperidol 500microgram capsules **79**  
 Haloperidol 5mg tablets **79**  
 Haloperidol 5mg/ml injection 1ml ampoules **79**  
 Hamamelis water **79**  
 Head Lice Device **162**  
 Heavy Cotton and Rubber Elastic Bandage **116**  
 HemoSense INRatio test strips **382**  
 Heparinoid 0.3% cream **79**  
 Heparinoid 0.3% gel **79**  
 Hiflow **178**  
 Higginson's Enema Syringe **178**  
 High Compression Bandages **116**  
 Hirst Laryngectomy Protector **180**  
 Histoacryl **176**  
 Histoacryl L **176**  
 Hodges Pessaries **170**  
 Holders (tapeless)  
     Tracheostomy Tube **179**  
 Homatropine 1% eye drops **79**  
 Homatropine 2% eye drops **79**  
 Honey Based Topical Application **146**  
 Hosiery, Elastic **159—161**  
 Hospi Four **116**  
 Hospicrepe 233 **115**  
 Hospicrepe 239 **114, 116**  
 Hospiform **114**  
 Hospital Cotton Wool **113**  
 HumaPen Ergo **163**  
 HumaPen Luxura **163**  
 Humistom Stoma Button/Stud and HPC Filter **178**  
 Hydrafoam **155**  
 Hydralazine 25mg tablets **79**  
 Hydralazine 50mg tablets **79**  
 Hydrochloric acid dilute liquid **79**  
 Hydrocoll Basic **147**  
 Hydrocoll Border **146**  
 Hydrocoll Thin **148**  
 Hydrocolloid Dressing  
     Fibrous Silver Impregnated **150**  
     Silver Impregnated **150**  
 Hydrocolloid Paste **150**  
 Hydrocolloid Wound Dressing **146—150**  
 Hydrocortisone 0.1% cream **79**  
 Hydrocortisone 0.5% cream **79**  
 Hydrocortisone 0.5% ointment **79**  
 Hydrocortisone 1% cream **79**  
 Hydrocortisone 1% ointment **79**  
 Hydrocortisone 10mg tablets **79**  
 Hydrocortisone 2.5% cream **79**  
 Hydrocortisone 2.5% eye ointment **79**  
 Hydrocortisone 2.5% ointment **79**  
 Hydrocortisone 2.5mg oromucosal tablets **79**  
 Hydrocortisone 20mg tablets **79**  
 Hydrocortisone acetate 1% / Gentamicin 0.3%  
     ear drops **79**  
 Hydrocortisone and Miconazole  
     Cream **483**  
     Ointment **483**  
 Hydrocortisone butyrate 0.1% cream **79**  
 Hydrocortisone butyrate 0.1% ointment **79**  
 Hydrocortisone powder **79**  
 Hydrocortisone sodium succinate 100mg  
     injection vials and diluent **79**  
 Hydrofilm **142**  
 Hydrogel Wound Dressing **150—151**  
 Hydrogen Peroxide  
     Mouthwash **483**  
 Hydrogen peroxide 1.5% ear drops **80**  
 Hydrogen peroxide 6% solution **80**  
 Hydromol  
     Cream **485**  
     Emollient **486**  
     Ointment **485**  
 Hydrosorb **151**  
 Hydrosorb Comfort **151**  
 Hydrotalcite 500mg/5ml oral suspension **80**  
 Hydrous  
     Ointment **485**  
 Hydrous ointment **80**  
 Hydrous wool fat **80**  
 Hydroxocobalamin 1mg/ml injection 1ml  
     ampoules **80**  
 Hydroxycarbamide 500mg capsules **80**  
 Hydroxychloroquine 200mg tablets **80**  
 Hydroxyzine 10mg tablets **80**  
 Hydroxyzine 25mg tablets **80**  
 Hylan G-F20 **177**  
 Hyoscine butylbromide 10mg tablets **80**  
 Hyoscine hydrobromide 400micrograms/ml  
     injection 1ml ampoules **80**  
 Hypafix **174**  
 Hypodermic Equipment Non-Sterile  
     Needles for Reusable Pens **164**  
     Sharpsbin **165**  
     Syringes **162**  
         Ordinary Purpose **162**  
 Hypodermic Equipment Sterile  
     Insulin Syringe U100 **162**  
     Lancets **164**  
     Needles **163**  
 Hypoguard Supreme Strips **381**  
 Hypromellose 0.3% eye drops **80**  
 Hypromellose 0.5% eye drops **80**  
 Hypromellose 1% eye drops **80**
- I**
- Ibuprofen  
     Oral Suspension **483, 486**  
     Tablets **483, 486**  
 Ibuprofen 100mg/5ml oral suspension **80**  
 Ibuprofen 100mg/5ml oral suspension sugar free  
     **80**  
 Ibuprofen 200mg tablets **80**  
 Ibuprofen 400mg tablets **80**  
 Ibuprofen 5% cream **80**  
 Ibuprofen 5% gel **80**  
 Ibuprofen 600mg effervescent granules sachets  
     **80**  
 Ibuprofen 600mg tablets **80**  
 Ibuprofen 800mg modified-release tablets **80**  
 Ichthammol glycerin liquid **80**  
 Ichthammol liquid **80**  
 Ichthopaste **120**  
 Imipramine 10mg tablets **80**

## INDEX

- Imipramine 25mg tablets **80**  
 Imodium Capsules **51**  
 Imperial System - Requirement to Convert to Metric System **7**  
 Impermeable Plastic Adhesive Tape **174**  
 Impermeable Plastic Synthetic Adhesive Tape **174**  
 Impulse Vacuum Pumps **181**  
 Imuderm  
   Bath Oil **486**  
 Inadine Dressing **141**  
 Indapamide 1.5mg modified-release tablets **80**  
 Indapamide 2.5mg tablets **80**  
 Indermil **176**  
 Indometacin 25mg capsules **80**  
 Indometacin 50mg capsules **81**  
 Indoramin 20mg tablets **81**  
 Indoramin 25mg tablets **81**  
 Industrial methylated spirit 95% **81**  
 Inhaler (Spare Top) **167**  
 Injex **166**  
 Innovo Pens **163**  
 Insight Tracheostomy Tube Holder **179**  
 Insufflators (Plastic for Fine Powders) **167**  
 Intal Spinhaler **167**  
 Interpose Dressing **138**  
 Intersurgical Mask **387, 389**  
   Constant Performance **385, 387**  
   Variable Performance **387**  
 IntraSite Conformable **150**  
 IntraSite Gel **150**  
 Intrauterine Contraceptive Device **136**  
 Iodine aqueous oral solution **81**  
 Iodine crystals **81**  
 Iodine solution strong **81**  
 Ipecacuanha alkaline mixture **81**  
 Ipecacuanha and Ammonia mixture paediatric **81**  
 Ipecacuanha mixture paediatric **81**  
 Ipecacuanha tincture **81**  
 Ipratropium 20micrograms/actuation inhaler CFC free **81**  
 Ipratropium 21micrograms/actuation nasal spray **81**  
 Irbesartan 150mg tablets **81**  
 Irbesartan 300mg tablets **81**  
 Irbesartan 75mg tablets **81**  
 Irriclen **167**  
 Irrigating/Bladder Syringe **178**  
 Irrigation Fluids **167**  
 Irripod **167**  
 Isoniazid 100mg tablets **81**  
 Isoniazid 50mg tablets **81**  
 Isopropyl myristate 15% / Liquid paraffin 15% gel **81**  
 Isosorbide dinitrate 10mg tablets **81**  
 Isosorbide dinitrate 20mg tablets **81**  
 Isosorbide mononitrate 10mg tablets **81**  
 Isosorbide mononitrate 20mg tablets **81**  
 Isosorbide mononitrate 25mg modified-release capsules **81**  
 Isosorbide mononitrate 40mg tablets **81**  
 Isosorbide mononitrate 50mg modified-release capsules **81**  
 Isosorbide mononitrate 50mg modified-release tablets **81**  
 Isosorbide mononitrate 60mg modified-release capsules **81**  
 Isosorbide mononitrate 60mg modified-release tablets **81**  
 Ispaghula Husk  
   Granules **486**  
   Powder **486**  
 Ispaghula husk 3.4g oral powder sachets gluten free sugar free **81**  
 Ispaghula husk 3.5g effervescent granules sachets gluten free sugar free **81**  
 Ispaghula husk 3.5g granules sachets gluten free **81**  
 Ispaghula husk 3.5g granules sachets gluten free sugar free **82**  
 Itraconazole 100mg capsules **82**  
 IUCD **136**  
 IV3000 **142**
- J**
- Jelonet **140**  
 Jobst UlcerCare **183**
- K**
- Kaltostat **144**  
 Kaltostat Cavity **145**  
 Kaolin and Morphine mixture **82**  
 Kaolin light powder **82**  
 Kaolin mixture **82**  
 Kaolin mixture paediatric **82**  
 Kaolin poultices **82**  
 K-Band **119**  
 Keflex Pulvules **51**  
   Tablets **51**  
 Keri Therapeutic Lotion **485**  
 Kerraboot **155**  
 Ketoconazole 2% cream **82**  
 Ketoconazole 2% shampoo **82**  
 Ketoconazole 200mg tablets **82**  
 Ketoconazole Detection Strips **381**  
 Ketoprofen 100mg capsules **82**  
 Ketoprofen 2.5% gel **82**  
 Ketoprofen 50mg capsules **82**  
 Ketorolac 0.5% eye drops **82**  
 Ketostix **381**  
 Ketotifen 1mg/5ml oral solution sugar free **82**  
 Ketur Test Strips **381**  
 K-Four **117, 118**  
 K-Lite Bandage **115**  
 Kneecaps, Elastic **159**  
 Knit Fix **119**  
 Knit-Band **119**  
 Knit-Firm **115**  
 Knitted Elastomer and Viscose Bandage **115**  
 Knitted Polyamide and Cellulose Contour Bandage **116**  
 Knitted Polyester Primary Dressing Impregnated with Neutral Triglycerides **140**  
 Knitted Viscose Dressing Sterile **140**  
 Knitted Viscose Primary Dressing **140**  
 Ko-Flex **117**  
 Kolanticon Gel **51**  
 Kontour **118**  
 K-Plus Bandage **116**  
 K-Soft **117, 120**  
 K-Y Jelly **168**
- L**
- Labetalol 100mg tablets **82**  
 Labetalol 200mg tablets **82**  
 Labetalol 400mg tablets **82**

## INDEX

- Labetalol 50mg tablets **82**  
 Lacidipine 2mg tablets **82**  
 Lacidipine 4mg tablets **82**  
 Lactic acid liquid **82**  
 LactiCare Lotion **485**  
 Lactose powder **82**  
 Lactulose 3.1-3.7g/5ml oral solution **82**  
 Lactulose Solution **486**  
 Lamotrigine 100mg dispersible tablets **82**  
 Lamotrigine 100mg tablets **82**  
 Lamotrigine 200mg tablets **82**  
 Lamotrigine 25mg dispersible tablets **82**  
 Lamotrigine 25mg tablets **83**  
 Lamotrigine 2mg dispersible tablets **83**  
 Lamotrigine 50mg tablets **83**  
 Lamotrigine 5mg dispersible tablets **83**  
 Lancets **164-165**  
 Lansoprazole 15mg gastro-resistant capsules **83**  
 Lansoprazole 15mg orodispersible tablets **83**  
 Lansoprazole 30mg gastro-resistant capsules **83**  
 Lansoprazole 30mg gastro-resistant granules sachets **83**  
 Lansoprazole 30mg orodispersible tablets **83**  
 Laryngectomy Protectors **180**  
 Laryngofoam **180**  
 Lasix Tablets **51**  
 Latanoprost 50micrograms/ml eye drops **83**  
 Latex Foam, Adhesive **168**  
 Leflunomide 10mg tablets **83**  
 Leflunomide 20mg tablets **83**  
 Legius **143**  
 Lemon spirit **83**  
 Lercanidipine 10mg tablets **83**  
 Letrozole 2.5mg tablets **83**  
 Leukofix **174**  
 Leukopore **174**  
 Leukosilk Surgical Tape **174**  
 Leukostrip **176**  
 Levetiracetam 1g tablets **83**  
 Levetiracetam 250mg tablets **83**  
 Levetiracetam 500mg tablets **83**  
 Levetiracetam 750mg tablets **83**  
 Levobunolol 0.5% eye drops **83**  
 Levocetirizine 5mg tablets **83**  
 Levonorgestrel 1.5mg tablets **83**  
 Levonorgestrel 750microgram tablets **83**  
 Levothyroxine sodium 100microgram tablets **83**  
 Levothyroxine sodium 25microgram tablets **83**  
 Levothyroxine sodium 50microgram tablets **83**  
 Lidocaine  
     and Chlorhexidine Gel **486**  
     Gel **486**  
     Ointment **486**  
 Lidocaine 1% injection 10ml ampoules **83**  
 Lidocaine 1% injection 20ml ampoules **83**  
 Lidocaine 1% injection 2ml ampoules **83**  
 Lidocaine 1% injection 5ml ampoules **83**  
 Lidocaine 2% / Chlorhexidine 0.25% gel 11ml pre-filled syringes **84**  
 Lidocaine 2% / Chlorhexidine 0.25% gel 6ml pre-filled syringes **84**  
 Lidocaine 2% injection 20ml ampoules **84**  
 Lidocaine 2% injection 2ml ampoules **84**  
 Lidocaine 2% injection 5ml ampoules **84**  
 LIMBO Waterproof Protector **170**  
 Linseed oil liquid **84**  
 Lints Absorbent **168**  
 Liothyronine 20microgram tablets **84**  
 Lipobase **485**  
 LiquiBand **176**  
 Liquid Paraffin  
     and Soft White Paraffin **485**  
 Liquid paraffin / Magnesium hydroxide oral emulsion **84**  
 Liquid paraffin 50% / White soft paraffin 50% ointment **84**  
 Liquid paraffin light liquid **84**  
 Liquid paraffin liquid **84**  
 Liquid paraffin oral emulsion **84**  
 Liquorice liquid extract **84**  
 Lisinopril 10mg / Hydrochlorothiazide 12.5mg tablets **84**  
 Lisinopril 10mg tablets **84**  
 Lisinopril 2.5mg tablets **84**  
 Lisinopril 20mg / Hydrochlorothiazide 12.5mg tablets **84**  
 Lisinopril 20mg tablets **84**  
 Lisinopril 5mg tablets **84**  
 Lithium carbonate 200mg modified-release tablets **84**  
 Lithium carbonate 250mg tablets **84**  
 Lithium carbonate 450mg modified-release tablets **84**  
 Load 375 **136**  
 Lodoxamide 0.1% eye drops **84**  
 Lofepamine 70mg tablets **84**  
 Loperamide 1mg/5ml oral solution sugar free **84**  
 Loperamide 2mg capsules **84**  
 Loperamide 2mg tablets **84**  
 Loprazolam 1mg tablets **84**  
 Loratadine 10mg tablets **84**  
 Loratadine 5mg/5ml oral solution **84**  
 Lorazepam 1mg tablets **84**  
 Lorazepam 2.5mg tablets **84**  
 Lormetazepam 1mg tablets **84**  
 Lormetazepam 500microgram tablets **85**  
 Losartan 100mg tablets **85**  
 Losartan 25mg tablets **85**  
 Losartan 50mg tablets **85**  
 Lubricating Jelly **168**  
 Lymeicycline 408mg capsules **85**  
 Lyofoam **151**  
 Lyofoam C **143**  
 Lyofoam Extra **152**  
 Lyofoam Extra Adhesive **152**
- M**  
 Magnesium carbonate light powder **85**  
 Magnesium carbonate mixture aromatic **85**  
 Magnesium Hydroxide Mixture **486**  
 Magnesium hydroxide oral suspension **85**  
 Magnesium Sulphate  
     Paste **486**  
 Magnesium sulphate 50% injection 2ml ampoules **85**  
 Magnesium sulphate dried powder **85**  
 Magnesium sulphate mixture **85**  
 Magnesium sulphate paste **85**  
 Magnesium sulphate powder **85**  
 Magnesium trisilicate oral suspension **85**  
 Magnesium trisilicate powder **85**  
 Malathion  
     Lotions Alcoholic **486**  
     Lotions Aqueous **486**  
 Malathion 0.5% alcoholic lotion **85**  
 Malathion 0.5% aqueous liquid **85**  
 Malathion 1% cream shampoo **85**  
 Measuring Spoon **21**



## INDEX

- Mebendazole  
Oral Suspension **486**  
Tablets **486**
- Mebendazole 100mg chewable tablets **85**
- Mebendazole 100mg/5ml oral suspension **85**
- Mebeverine 135mg tablets **85**
- Mecysteine 100mg gastro-resistant tablets **85**
- Medicine Measure Oral **21**
- Medihoney Antibacterial Medical Honey Dressing **146**
- Medihoney Antibacterial Wound Gel Dressing **146**
- Mediplast **174**
- Medipore + **139**
- Medisafe **139**
- MediSense "G2" Strips **381**
- MediSense Optium Plus **382**
- MediSense Optium  $\beta$ -Ketone Test Strips **382**
- MediSense SoftSense **382**
- MediSense Thin **164**
- Medi-Test Glucose **381**
- Medi-Test Protein 2 **381**
- Medroxyprogesterone 100mg tablets **85**
- Medroxyprogesterone 10mg tablets **85**
- Medroxyprogesterone 150mg/ml injection 1ml pre-filled syringes **85**
- Medroxyprogesterone 2.5mg tablets **85**
- Medroxyprogesterone 200mg tablets **85**
- Medroxyprogesterone 400mg tablets **85**
- Medroxyprogesterone 5mg tablets **85**
- Mefenamic acid 250mg capsules **85**
- Mefenamic acid 500mg tablets **86**
- Mefilm Dressing **142**
- Mefix **174**
- Megestrol 160mg tablets **86**
- Megestrol 40mg tablets **86**
- Melgisorb **144**
- Melgisorb Cavity **145**
- Melolin Dressing **138**
- Meloxicam 15mg suppositories **86**
- Meloxicam 15mg tablets **86**
- Meloxicam 7.5mg suppositories **86**
- Meloxicam 7.5mg tablets **86**
- Menthol and Eucalyptus Inhalation **483**
- Menthol and Eucalyptus inhalation **86**
- Menthol crystals **86**
- Mepiform **156**
- Mepilex **157**
- Mepilex Border **158**
- Mepilex Border Lite **158**
- Mepilex Lite **157**
- Mepilex Transfer **157**
- Mepitac **174**
- Mepitel **157**
- Mepore Dressing **139**
- Mepore Ultra **143**
- Meptazinol 200mg tablets **86**
- Mesalazine 400mg gastro-resistant tablets **86**
- Mesitran Border Dressing **151**
- Mesitran Dressing **151**
- Mesitran Mesh Dressing **151**
- Mesitran Ointment Dressing **146**
- Mesitran Ointment S Dressing **146**
- Mesorb **138**
- Metalline **179**
- Metatarsal Arch Supports **136**
- Metformin 1g / Rosiglitazone 2mg tablets **86**
- Metformin 1g / Rosiglitazone 4mg tablets **86**
- Metformin 500mg / Rosiglitazone 2mg tablets **86**
- Metformin 500mg tablets **86**
- Metformin 850mg tablets **86**
- Metformin Tablets **51**
- Methadone 10mg/ml injection 1ml ampoules **86**
- Methadone 10mg/ml injection 2ml ampoules **86**
- Methadone 10mg/ml injection 3.5ml ampoules **86**
- Methadone 10mg/ml injection 5ml ampoules **86**
- Methadone 1mg/ml oral solution **86**
- Methadone 1mg/ml oral solution sugar free **86**
- Methadone 2mg/5ml linctus **86**
- Methadone 5mg tablets **86**
- Methadone hydrochloride powder **86**
- Methocarbamol 750mg tablets **86**
- Methotrexate 10mg tablets **86**
- Methotrexate 2.5mg tablets **86**
- Methyl salicylate 25% liniment **86**
- Methyl salicylate 50% ointment **86**
- Methyl salicylate liquid **86**
- Methylcellulose 500mg tablets **87**
- Methylcellulose powder **87**
- Methylcellulose Tablets **486**
- Methyldopa 125mg tablets **87**
- Methyldopa 250mg tablets **87**
- Methyldopa 500mg tablets **87**
- Methylphenidate 10mg tablets **87**
- Methylphenidate 18mg modified-release tablets **87**
- Methylphenidate 20mg tablets **87**
- Methylphenidate 36mg modified-release tablets **87**
- Methylphenidate 5mg tablets **87**
- Metoclopramide 10mg tablets **87**
- Metoclopramide 5mg/ml injection 2ml ampoules **87**
- Metolazone 5mg tablets **87**
- Metoprolol 100mg tablets **87**
- Metoprolol 50mg tablets **87**
- Metoprolol Tartrate Tablets **51**
- Metronidazole  
Oral Suspension **483**  
Tablets **483**
- Metronidazole 200mg tablets **87**
- Metronidazole 200mg/5ml oral suspension **87**
- Metronidazole 400mg tablets **87**
- Metronidazole 500mg tablets **87**
- mhi-500 **166**
- Mianserin 10mg tablets **87**
- Mianserin 20mg tablets **87**
- Mianserin 30mg tablets **87**
- Miconazole  
Cream **486**  
Oromucosal Gel **483, 486**
- Miconazole 2% / Hydrocortisone 1% cream **87**
- Miconazole 2% / Hydrocortisone 1% ointment **87**
- Miconazole 2% cream **87**
- Miconazole 20mg/g oromucosal gel sugar free **87**
- Micro Medical **169**
- Micro-Fine Lancet **164**
- Micropore **174**
- MillPlus **116**
- Milward Steri-Let Lancet **164**
- MiniVersol **167**
- Miniversol **167**
- Minocycline 100mg modified-release capsules **87**
- Minocycline 100mg tablets **87**
- Minocycline 50mg tablets **87**
- Mirtazapine 15mg orodispersible tablets **87**
- Mirtazapine 30mg orodispersible tablets **87**
- Mirtazapine 30mg tablets **87**

## INDEX

- Mirtazapine 45mg orodispersible tablets **87**  
 Misoprostol 200microgram tablets **87**  
 Mizolastine 10mg modified release tablets **88**  
 Moclobemide 150mg tablets **88**  
 Moclobemide 300mg tablets **88**  
 Mometasone 0.1% cream **88**  
 Mometasone 0.1% ointment **88**  
 Mometasone 0.1% scalp lotion **88**  
 Mometasone 50micrograms/actuation nasal spray **88**  
 Monolet Extra Lancet **165**  
 Monolet Lancet **165**  
 Montelukast 10mg tablets **88**  
 Montelukast 4mg chewable tablets **88**  
 Montelukast 4mg granules sachets **88**  
 Montelukast 5mg chewable tablets **88**  
 Morphine 100mg modified-release tablets **88**  
 Morphine 10mg modified-release capsules **88**  
 Morphine 10mg modified-release tablets **88**  
 Morphine 15mg modified-release tablets **88**  
 Morphine 200mg modified-release capsules **88**  
 Morphine 200mg modified-release tablets **88**  
 Morphine 30mg modified-release capsules **88**  
 Morphine 30mg modified-release tablets **88**  
 Morphine 5mg modified-release tablets **88**  
 Morphine 60mg modified-release capsules **88**  
 Morphine 60mg modified-release tablets **88**  
 Morphine and Cocaine elixir **88**  
 Morphine hydrochloride powder **88**  
 Morphine sulphate 10mg/ml injection 1ml ampoules **88**  
 Morphine sulphate 15mg suppositories **88**  
 Morphine sulphate 15mg/ml injection 1ml ampoules **88**  
 Morphine sulphate 30mg suppositories **88**  
 Morphine sulphate 30mg/ml injection 1ml ampoules **88**  
 Morphine sulphate powder **88**  
 Mouthwash Solution - Tablets **483, 486**  
 Mouthwash solution tablets **88**  
 Moxonidine 200microgram tablets **89**  
 Moxonidine 300microgram tablets **89**  
 Moxonidine 400microgram tablets **89**  
 MPD Ultra Thin Lancets **165**  
 Multiclix **165**  
 Multi-layer Compression Bandaging **116—117**  
 Multiload CU **137**  
 Multiload CU 250 Short **137**  
 Multiload CU 375 **137**  
 Multiple Pack Dressing **140**  
 Multi-Safe 375 **137**  
 Mupirocin 2% cream **89**  
 Mupirocin 2% nasal ointment **89**  
 Mupirocin 2% ointment **89**
- N**
- N-A Dressing **140**  
 N-A Ultra Dressing **140**  
 Nabumetone 500mg tablets **89**  
 Nabumetone 500mg/5ml oral suspension sugar free **89**  
 Naftidrofuryl 100mg capsules **89**  
 Naproxen 250mg gastro-resistant tablets **89**  
 Naproxen 250mg tablets **89**  
 Naproxen 500mg gastro-resistant tablets **89**  
 Naproxen 500mg tablets **89**  
 Naproxen sodium 275mg tablets **89**  
 Naratriptan 2.5mg tablets **89**
- Nasal Devices **168**  
 Nasal Drops - Sodium Chloride 0.9% **168**  
 National Out-Of-Hours Formulary **497—500**  
 Natrilix Tablets **51**  
 Nebivolol 5mg tablets **89**  
 Nebuhaler **114**  
 Nebulizers **113**  
 Nedocromil 2% eye drops **89**  
 Needle Clipping Device **165**  
 Needles for Pre-filled and Reusable Pen Injectors **164**  
 Needles Hypodermic **162**  
 Nefopam 30mg tablets **89**  
 Neomycin 0.5% / Betamethasone valerate 0.1% cream **89**  
 Neomycin 0.5% / Betamethasone valerate 0.1% ointment **89**  
 Neomycin 0.5% / Chlorhexidine hydrochloride 0.1% cream **89**  
 Neomycin 0.5% cream **89**  
 Neomycin 0.5% eye ointment **89**  
 Neosafe **118**  
 Neo-Safe T380 **137**  
 Neosport **115**  
 Neotulle **140**  
 Neurogena Dermatological Cream **485**  
 Nicardipine 20mg capsules **89**  
 Nicardipine 30mg capsules **89**  
 Nicardipine 30mg modified-release capsules **89**  
 Nicardipine 45mg modified-release capsules **89**  
 Nicef Capsules **51**  
 Nicorandil 10mg tablets **89**  
 Nicorandil 20mg tablets **89**  
 Nicorette  
     Gum **51**  
     Microtab **51**  
     Patches **486**  
 Nicotine  
     Chewing Gum **486**  
     Inhalator **486**  
     Lozenge **486**  
     Nasal Spray **486**  
     Patch **486**  
     Sublingual Tablets **486**  
 Nicotine 10mg inhalation cartridges with device **89**  
 Nicotine 10mg/16hours patches **90**  
 Nicotine 15mg/16hours patches **90**  
 Nicotine 21mg/24hours patches **90**  
 Nicotine 2mg lozenges sugar free **90**  
 Nicotine 2mg medicated chewing gum sugar free **90**  
 Nicotine 2mg sublingual tablets **90**  
 Nicotine 4mg lozenges sugar free **90**  
 Nicotine 4mg medicated chewing gum sugar free **90**  
 Nicotine 500micrograms/actuation nasal spray **90**  
 Nicotine 5mg/16hours patches **90**  
 Nicotine bitartrate 1mg lozenges sugar free **90**  
 Nicotine bitartrate 2mg lozenges sugar free **90**  
 Nicotinell  
     Gum **52**  
     Lozenges **52**  
     TTS Patches **486**  
 Nifedipine 10mg capsules **90**  
 Nifedipine 10mg modified-release capsules **90**  
 Nifedipine 20mg modified-release capsules **90**  
 Nifedipine 5mg capsules **90**  
 Nifedipine 60mg modified-release tablets **90**

## INDEX

- Niko Fix IV Dressing **142**  
 Nine Lives **167**  
 Nipple Shields **168**  
 NiQuitin CQ Patches **52, 486**  
 Nitrazepam  
     Tablets **483**  
 Nitrazepam 2.5mg/5ml oral suspension **90**  
 Nitrazepam 5mg tablets **90**  
 Nitrofurantoin 100mg capsules **90**  
 Nitrofurantoin 100mg modified-release capsules **90**  
 Nitrofurantoin 100mg tablets **90**  
 Nitrofurantoin 50mg capsules **90**  
 Nitrofurantoin 50mg tablets **90**  
 Nitty Gritty NitFree **162**  
 Nizatidine 150mg capsules **90**  
 Nizatidine 300mg capsules **90**  
 No Charge Items (Prescription Charges) **477**  
 No Prescription Charge Exemption Declaration Needed From Certain Patients (England) **472**  
 Non Prescribable Products **501—527**  
 Norethisterone 1mg tablets **90**  
 Norethisterone 5mg tablets **90**  
 Norfloxacin 400mg tablets **90**  
 Normasol **167**  
 Nortriptyline 10mg tablets **90**  
 Nortriptyline 25mg tablets **91**  
 Notes on the Number of Charges Payable **477**  
 Nova T **137**  
 Nova T 380 **137**  
 NovoFine **164**  
 Novogel **151**  
 Novonorm Tablets **52**  
 NovoPen 3 Classic, Demi, Fun **163**  
 NovoPen Junior **163**  
 Nozovent **168**  
 NU-DERM **147, 148**  
 Nu-Gel Dressing **150**  
 Nurse Prescribable - Approved List of Prescribable Preparations **485—486**  
 Nylon & Viscose Stretch Bandage **118**  
 Nylon Sutures See - *Polyamide Sutures* **176**  
 Nystatin  
     Ointment **483**  
     Oral Suspension **483, 486**  
     Pastilles **483, 486**  
 Nystatin 100,000unit pastilles **91**  
 Nystatin 100,000unit pessaries **91**  
 Nystatin 100,000units/4g application vaginal cream **91**  
 Nystatin 100,000units/g cream **91**  
 Nystatin 100,000units/g ointment **91**  
 Nystatin 100,000units/ml oral suspension **91**  
 Nystatin 100,000units/ml oral suspension sugar free **91**  
 Nystatin 500,000unit tablets **91**
- O**
- Oakmed Option Wound Manager **158**  
 Occlusives Disposable **170**  
 Ofloxacin 200mg tablets **91**  
 Ofloxacin 400mg tablets **91**  
 Oilatum  
     Cream **485**  
     Emollient **486**  
     Fragrance Free **486**  
     Gel **486**  
 Olanzapine 10mg oral lyophilisates **91**  
 Olanzapine 10mg tablets **91**  
 Olanzapine 15mg oral lyophilisates **91**  
 Olanzapine 15mg tablets **91**  
 Olanzapine 2.5mg tablets **91**  
 Olanzapine 5mg oral lyophilisates **91**  
 Olanzapine 5mg tablets **91**  
 Olanzapine 7.5mg tablets **91**  
 Oleic acid liquid **91**  
 Olive Oil  
     Ear Drops **486**  
 Olive oil liquid **91**  
 Olmesartan 10mg tablets **91**  
 Olmesartan 20mg tablets **91**  
 Olmesartan 40mg tablets **91**  
 Olsalazine 250mg capsules **91**  
 Omeprazole 10mg dispersible gastro-resistant tablets **91**  
 Omeprazole 10mg gastro-resistant capsules **91**  
 Omeprazole 10mg gastro-resistant tablets **91**  
 Omeprazole 20mg dispersible gastro-resistant tablets **91**  
 Omeprazole 20mg gastro-resistant capsules **91**  
 Omeprazole 20mg gastro-resistant tablets **91**  
 Omeprazole 40mg dispersible gastro-resistant tablets **91**  
 Omeprazole 40mg gastro-resistant capsules **92**  
 Omeprazole 40mg gastro-resistant tablets **92**  
 Omnicil **174**  
 On Call Now **382**  
 On-Cost - Appliance Contractors **33**  
 One Touch Strips **382**  
 One Touch Ultra Strips **382**  
 One Touch UltraSoft Lancet **165**  
 Open-Wove Bandage **118**  
 OpSite Flexifix **142**  
 OpSite Flexigrd **142**  
 OpSite IV3000 **142**  
 OpSite Plus **143**  
 Opticare **161**  
 Opticare Arthro 10 **161**  
 Opticare Arthro 5 **161**  
 Optichamber **114**  
 OptiFlo G **121**  
 OptiFlo R **121**  
 OptiFlo S **121**  
 Optipen Pro 1 **163**  
 Oral Contraceptive Drugs **476**  
     Prescription Charges **476**  
 Oral Film Foaming Agents **168**  
 Oral Medicine Measure **21**  
 Oral Syringe **21**  
 Orange syrup **92**  
 Orange tincture **92**  
 Orciprenaline 10mg/5ml oral solution sugar free **92**  
 Ordinary Purpose Syringe **162**  
 Orlistat 120mg capsules **92**  
 Orphenadrine 50mg tablets **92**  
 Ortho Vaginal Applicator **113**  
 Ortho-Band Plus **116, 120**  
 Ortho-Creme Cream **486**  
 Orthoforms Pessaries **486**  
 Orthovisc **177**  
 Osbon ErecAid Classic **182**  
 Osbon ErecAid Esteem **182**  
 Ostenil **177**  
 Otovent **114**  
 Out of Pocket Expenses Provision for Payment **8**  
 Oxazepam 10mg tablets **92**

## INDEX

- Oxazepam 15mg tablets **92**  
 Oxcarbazepine 150mg tablets **92**  
 Oxcarbazepine 300mg tablets **92**  
 Oxcarbazepine 600mg tablets **92**  
 Oxerutins 250mg capsules **92**  
 Oxprenolol 20mg tablets **92**  
 Oxprenolol 40mg tablets **92**  
 Oxprenolol 80mg tablets **92**  
 Oxybutinin Hydrochloride  
   Tablets **52**  
 Oxybutynin 2.5mg tablets **92**  
 Oxybutynin 2.5mg/5ml oral solution **92**  
 Oxybutynin 3mg tablets **92**  
 Oxybutynin 5mg tablets **92**  
 Oxygen  
   Masks **387**  
   Sets **386**  
   Specifications **389–390**  
   Stands **384**  
   Use **383–398**  
 Oxygen Concentrator Services -  
   Claims for Payment **398**  
   Description **395**  
   Guidelines for Prescribing **395**  
   List of Suppliers **398–400**  
   Prescribable Equipment **398**  
   Prescribing Arrangements **396**  
   Transfer of Patients from Cylinders **397**  
   Under Use of **397**  
   Withdrawal of Emergency Back-Up Supply of  
     Cylinders **397**  
 Oxygen Cylinder Services -  
   Basic Price of **389**  
   Equipment **386–387**  
     Compensation for Financial Loss of  
       **389**  
     Procedure for Loaning of Equipment  
       that may be Provided **386**  
     Termination of Continued Use of **386**  
     Illustrations **388**  
 Oxytetracycline 250mg tablets **92**  
 Oxytetracycline Tablets **483**
- P**
- P.E.C. High Compression Bandage **116**  
 P.Grip Catheter Retaining Strap **121**  
 Pack Dressing  
   Multiple **140**  
   Sterile **141**  
 Pads  
   Eye, with Bandage **141**  
   Gauze **177**  
 Pantoprazole 20mg gastro-resistant tablets **92**  
 Pantoprazole 40mg gastro-resistant tablets **92**  
 Paracetamol  
   Oral Suspension **483, 486**  
   Tablets **483, 486**  
   Tablets Soluble **483, 486**  
 Paracetamol 120mg suppositories **92**  
 Paracetamol 120mg/5ml oral solution paediatric  
   **92**  
 Paracetamol 120mg/5ml oral solution paediatric  
   sugar free **92**  
 Paracetamol 120mg/5ml oral suspension  
   paediatric **92**  
 Paracetamol 120mg/5ml oral suspension  
   paediatric sugar free **92**  
 Paracetamol 125mg suppositories **92**  
 Paracetamol 240mg suppositories **92**  
 Paracetamol 250mg suppositories **92**  
 Paracetamol 250mg/5ml oral suspension **92**  
 Paracetamol 250mg/5ml oral suspension sugar  
   free **93**  
 Paracetamol 500mg / Dihydrocodeine 20mg  
   tablets **93**  
 Paracetamol 500mg / Dihydrocodeine 30mg  
   tablets **93**  
 Paracetamol 500mg / Metoclopramide 5mg  
   tablets **93**  
 Paracetamol 500mg capsules **93**  
 Paracetamol 500mg soluble tablets **93**  
 Paracetamol 500mg suppositories **93**  
 Paracetamol 500mg tablets **93**  
 Paracetamol 60mg suppositories **93**  
 Paraffin  
   Gauze Dressings **140**  
   Soft White **485**  
   Soft Yellow **485**  
 Paraffin hard MP 43-46°C solid **93**  
 Paraffin hard solid **93**  
 Paracetamol **140**  
 Paratex **117, 140**  
 Paroxetine 10mg/5ml oral suspension sugar free  
   **93**  
 Paroxetine 20mg tablets **93**  
 Paroxetine 30mg tablets **93**  
 Payment - Suspension of Chemists by Direction  
   of NHS Tribunal **533**  
 Peak Flow Meters **169**  
 Pecche Bandage **116**  
 Penciclovir 1% cream **93**  
 Penicillamine 125mg tablets **93**  
 Penicillamine 250mg tablets **93**  
 Pentazocine 25mg tablets **93**  
 Pentazocine 30mg/ml injection 1ml ampoules **93**  
 Pentazocine 30mg/ml injection 2ml ampoules **93**  
 Pentazocine 50mg capsules **93**  
 Pentoxifylline 400mg modified-release tablets **93**  
 Peppermint emulsion concentrated **93**  
 Peppermint oil 0.2ml gastro-resistant capsules  
   **93**  
 Peppermint oil 0.2ml gastro-resistant modified-  
   release capsules **93**  
 Peppermint oil liquid **93**  
 Peppermint water concentrated **93**  
 Pergolide 1mg tablets **93**  
 Pergolide 250microgram tablets **93**  
 Pergolide 50microgram tablets **93**  
 Perindopril 2mg tablets **93**  
 Perindopril 4mg tablets **93**  
 Perindopril 8mg tablets **93**  
 PermaFoam **154, 155**  
 PermaFoam Cavity **145**  
 PermaFoam Comfort **154**  
 Permeable Adhesive Tape  
   Woven **174**  
 Permethrin  
   Cream **486**  
   Permethrin 1% scalp application **94**  
   Permethrin 5% cream **94**  
 Pessaries  
   Hodge **170**  
   Polythene **170**  
   PVC **170**  
   Ring **170**  
 Pethidine  
   Tablets **483**  
   Pethidine 50mg tablets **94**  
   Pethidine 50mg/ml injection 1ml ampoules **94**  
   Pethidine 50mg/ml injection 2ml ampoules **94**

## INDEX

- PFA Dressing **141**  
 Pharmapore-PU **143**  
 Pharmapore-PU-.I.V **142**  
 Phenelzine 15mg tablets **94**  
 Phenindione 10mg tablets **94**  
 Phenindione 25mg tablets **94**  
 Phenindione 50mg tablets **94**  
 Phenobarbital 15mg tablets **94**  
 Phenobarbital 15mg/5ml elixir **94**  
 Phenobarbital 30mg tablets **94**  
 Phenobarbital 60mg tablets **94**  
 Phenol crystals **94**  
 Phenol liquefied **94**  
 Phenothrin  
   Alcoholic Lotion **486**  
   Aqueous Lotion **486**  
 Phenothrin 0.2% lotion **94**  
 Phenothrin 0.5% liquid **94**  
 Phenoxymethylpenicillin  
   Oral Solution **483**  
   Tablets **483**  
 Phenoxymethylpenicillin 125mg/5ml oral solution **94**  
 Phenoxymethylpenicillin 250mg tablets **94**  
 Phenoxymethylpenicillin 250mg/5ml oral solution **94**  
 Phenylephrine 10% eye drops **94**  
 Phenytoin 30mg/5ml oral suspension **94**  
 Phenytoin sodium 100mg capsules **94**  
 Phenytoin sodium 100mg tablets **94**  
 Phenytoin sodium 25mg capsules **94**  
 Phenytoin sodium 300mg capsules **94**  
 Phenytoin sodium 50mg capsules **94**  
 Pholcodine 10mg/5ml linctus strong sugar free **94**  
 Pholcodine 2mg/5ml oral solution sugar free **94**  
 Pholcodine 5mg/5ml linctus **94**  
 Pholcodine 5mg/5ml linctus sugar free **94**  
 Phosphate Suppositories NPF **486**  
 Phosphates Enema **486**  
 Phosphates enemas (Formula B) 128ml long tube **94**  
 Phosphates enemas (Formula B) 128ml standard tube **94**  
 Physiotulle **157**  
 Phytomenadione 10mg tablets **94**  
 Phytomenadione 10mg/ml injection 1ml ampoules **94**  
 Phytomenadione 2mg/ml injection 0.5ml ampoules **95**  
 Pilocarpine hydrochloride 0.5% eye drops **95**  
 Pilocarpine hydrochloride 1% eye drops **95**  
 Pilocarpine hydrochloride 2% eye drops **95**  
 Pilocarpine hydrochloride 3% eye drops **95**  
 Pilocarpine hydrochloride 4% eye drops **95**  
 Pimozide 4mg tablets **95**  
 Pioglitazone 15mg tablets **95**  
 Pioglitazone 30mg tablets **95**  
 Pioglitazone 45mg tablets **95**  
 Piperazine 4g / Senna 15.3mg oral powder sachets **95**  
 Piperazine and Senna Powder **486**  
 Piroxicam 0.5% gel **95**  
 Piroxicam 10mg capsules **95**  
 Piroxicam 20mg capsules **95**  
 Piroxicam 20mg dispersible tablets **95**  
 Pizotifen 1.5mg tablets **95**  
 Pizotifen 250micrograms/5ml elixir sugar free **95**  
 Pizotifen 500microgram tablets **95**  
 Plaster of Paris Bandage **118**  
 Plasters  
   Belladonna **170**  
 Plastics  
   Connector (Suprapubic Belt) **173**  
   Tubing for Douches **137**  
 Pocket Chamber **114**  
 Pocket Riddopag Inhaler **113**  
 Pocket Scan Strips **382**  
 Podophyllin paint **95**  
 Podophyllum resin powder **95**  
 Polyamide and Cellulose  
   Contour Bandage **118**  
   Contour Bandage Knitted **119**  
 Polyamide Sutures  
   Monofilament **176**  
 Polyamide, Elastane, and Cotton Compression Bandage **116**  
 Polyskin II **142**  
 Polyskin MR **142**  
 Polythene  
   Ring Pessary **170**  
 Polyurethane Foam Dressing **151**  
 Polyurethane Foam Film Dressing **152**  
 Polyurethane Foam Film Dressing - Sterile - Moderate to heavily exuding wounds **154**  
 Polyurethane Matrix Dressing **155**  
 Pos-T-Vac **181**  
 Potassium (potassium 6.5mmol) effervescent tablets BPC 1968 **95**  
 Potassium bromide mixture **95**  
 Potassium bromide powder **95**  
 Potassium chlorate powder **95**  
 Potassium chloride 600mg (potassium 8mmol) modified-release tablets **95**  
 Potassium chloride 600mg / Potassium bicarbonate 400mg effervescent tablets **95**  
 Potassium chloride powder **95**  
 Potassium citrate mixture **95**  
 Potassium citrate powder **95**  
 Potassium iodide ammoniated mixture **95**  
 Potassium iodide powder **95**  
 Potassium nitrate powder **95**  
 Potassium permanganate 0.1% solution **95**  
 Potassium permanganate powder **95**  
 Povidone - Iodine  
   Fabric Dressing **141**  
 Povidone-Iodine  
   Solution **486**  
 Povidone-Iodine 1% mouthwash **96**  
 Povidone-Iodine 1.14% dry powder spray **96**  
 Pravastatin 10mg tablets **96**  
 Pravastatin 20mg tablets **96**  
 Pravastatin 40mg tablets **96**  
 Praxilene Capsules **52**  
 Prazosin 1mg tablets **96**  
 Prazosin 2mg tablets **96**  
 Prazosin 500microgram tablets **96**  
 Prednisolone 1mg tablets **96**  
 Prednisolone 2.5mg gastro-resistant tablets **96**  
 Prednisolone 25mg tablets **96**  
 Prednisolone 5mg gastro-resistant tablets **96**  
 Prednisolone 5mg soluble tablets **96**  
 Prednisolone 5mg tablets **96**  
 Prednisolone acetate 1% eye drops **96**  
 Prednisolone sodium phosphate 0.5% ear/eye drops **96**  
 Prednisolone Tablets  
   Enteric-Coated **52**  
 Pregabalin 100mg capsules **96**  
 Pregabalin 150mg capsules **96**  
 Pregabalin 200mg capsules **96**

## INDEX

- 
- Pregabalin 25mg capsules **96**  
 Pregabalin 300mg capsules **96**  
 Pregabalin 50mg capsules **96**  
 Pregabalin 75mg capsules **96**  
 Prentif Cap **137**  
 Prepayment Certificates **475**  
 Pre-Registration Trainees - Payments **407**  
 Prescription Charge Refund Procedure **473**  
 Prescription Forms Submission of **5**  
 Prestige Smart System **382**  
 Primapore **139**  
 Primidone 250mg tablets **96**  
 ProCare Lancet **165**  
 Prochlorperazine 25mg suppositories **96**  
 Prochlorperazine 3mg buccal tablets **96**  
 Prochlorperazine 5mg effervescent granule sachets sugar free **96**  
 Prochlorperazine 5mg suppositories **96**  
 Prochlorperazine 5mg tablets **96**  
 Prochlorperazine 5mg/5ml oral solution **96**  
 Procyclidine 2.5mg/5ml oral solution sugar free **96**  
 Procyclidine 5mg tablets **96**  
 Procyclidine 5mg/5ml oral solution sugar free **96**  
 Professional Fees for Prescriptions Dispensed - Provision for Payment  
     - Oxygen Contractors **383**  
     - Pharmacy Contractors **17**  
 Professional Fees, Pharmacy **17**  
 Proflavine  
     Cream **52**  
 Proflavine 0.1% cream **96**  
 Proflavine 0.1% solution **96**  
 Proflavine hemisulphate powder **97**  
 Profore 4 system **118**  
 Profore Bandage **117**  
 Proguanil 100mg tablets **97**  
 ProGuide 2 system **118**  
 ProGuide Bandage **117**  
 Promazine 25mg tablets **97**  
 Promazine 25mg/5ml oral solution **97**  
 Promazine 50mg tablets **97**  
 Promazine 50mg/5ml oral solution **97**  
 Promethazine 5mg/5ml oral solution **97**  
 Promethazine Hydrochloride  
     Tablets **483**  
 Promethazine hydrochloride 10mg tablets **97**  
 Promethazine hydrochloride 25mg tablets **97**  
 Promethazine Oral Solution **483**  
 Promogran **156**  
 Promogran Prisma **156**  
 Propafenone 150mg tablets **97**  
 Propafenone 300mg tablets **97**  
 Propiverine 15mg tablets **97**  
 Propranolol 10mg tablets **97**  
 Propranolol 160mg tablets **97**  
 Propranolol 40mg tablets **97**  
 Propranolol 80mg tablets **97**  
 Propylene glycol liquid **97**  
 Propylthiouracil 50mg tablets **97**  
 Protease Modulating Matrix **155**  
 ProtectFilm **142**  
 Protectives  
     Hand **170**  
     Limb **170**  
 Protectors, Laryngectomy **180**  
     Tracheostomy **180**  
 Proteinuria Detection Strips **381**  
 Prothiaden Capsules **52**  
 ProTime 3 cuvettes **382**  
 Provera Tablets **52**  
 Provox FreeHands HME System **178**  
 Provox HME System **178**  
 Provox Stomafilter **178**  
 Pseudoephedrine 30mg/5ml linctus sugar free **97**  
 Pseudoephedrine 60mg tablets **97**  
 Purified talc powder **97**  
 Purified water **97**  
 Purifoam Laryngectomy Filters **178**  
 Purilon Gel **150**  
 PVC Ring Pessary **170**  
 Pyridostigmine bromide 60mg tablets **97**  
 Pyridoxine 50mg tablets **97**
- Q**
- Quality of Drug or Preparation General Requirements **3**  
 Quantity to be Supplied - Payment Thereof **7**  
 Quetiapine 100mg tablets **97**  
 Quetiapine 150mg tablets **97**  
 Quetiapine 200mg tablets **97**  
 Quetiapine 25mg tablets **97**  
 Quetiapine 300mg tablets **97**  
 Quinapril 10mg tablets **97**  
 Quinapril 20mg tablets **97**  
 Quinapril 40mg tablets **97**  
 Quinapril 5mg tablets **97**  
 Quinine bisulphate 300mg tablets **97**  
 Quinine sulphate 200mg tablets **97**  
 Quinine sulphate 300mg tablets **97**
- R**
- Rabeprazole 10mg gastro-resistant tablets **98**  
 Rabeprazole 20mg gastro-resistant tablets **98**  
 Raloxifene 60mg tablets **98**  
 Ramipril 1.25mg capsules **98**  
 Ramipril 1.25mg tablets **98**  
 Ramipril 10mg capsules **98**  
 Ramipril 10mg tablets **98**  
 Ramipril 2.5mg capsules **98**  
 Ramipril 2.5mg tablets **98**  
 Ramipril 5mg capsules **98**  
 Ramipril 5mg tablets **98**  
 Ranitidine 150mg effervescent tablets **98**  
 Ranitidine 150mg tablets **98**  
 Ranitidine 300mg effervescent tablets **98**  
 Ranitidine 300mg tablets **98**  
 Ranitidine 75mg/5ml oral solution sugar free **98**  
 Ranitidine bismuth citrate 400mg tablets **98**  
 Rapport Classic **182**  
 Rapport Premier **182**  
 Rapport Ring Loading System **182**  
 Raspberry syrup **98**  
 Rat-Tail Syringe See - Ear Syringe **178**  
 Reboxetine 4mg tablets **98**  
 Red Line Bandage **115**  
 Reflexions Flat Spring Diaphragm **137**  
 Regal Swabs **177**  
 Release Dressing **138**  
 Reliever, Breast **121**  
 Repaglinide 1mg tablets **98**  
 Repaglinide 2mg tablets **98**  
 Repaglinide 500microgram tablets **98**  
 Replens MD **183**  
 Replicare Ultra **147**  
 Retention Rings **182**  
 Reusable Pens **163**
-

## INDEX

- Reward Scheme - Fraudulent Prescription forms **409–411**
- Ribbed Cotton and Viscose Stockinette **173**
- Ribbed Cotton and Viscose Surgical Tubular Stockinette **173**
- Ribbon Gauze (Absorbent) **161**
- Riddell Minor Inhaler **113**
- Rifampicin 150mg capsules **98**
- Rifampicin 300mg capsules **98**
- Ring  
     Bunion **136**  
     Corn **136**
- Ring Pessaries **170**  
     Polythene **170**  
     PVC **170**
- Risedronate sodium 30mg tablets **98**
- Risedronate sodium 35mg tablets **98**
- Risedronate sodium 5mg tablets **98**
- Risperidone 0.5mg orodispersible tablets sugar free **98**
- Risperidone 1mg orodispersible tablets sugar free **98**
- Risperidone 1mg tablets **98**
- Risperidone 1mg/ml oral liquid **98**
- Risperidone 2mg orodispersible tablets sugar free **98**
- Risperidone 2mg tablets **98**
- Risperidone 3mg tablets **98**
- Risperidone 4mg tablets **98**
- Risperidone 500microgram tablets **98**
- Risperidone 6mg tablets **98**
- Rizatriptan 10mg oral lyophilisates sugar free **99**
- Ropinirole 1mg tablets **99**
- Ropinirole 2mg tablets **99**
- Ropinirole 5mg tablets **99**
- Rosidal K **119**
- Rosiglitazone 4mg tablets **99**
- Rosiglitazone 8mg tablets **99**
- Rosuvastatin 10mg tablets **99**
- Rosuvastatin 20mg tablets **99**
- Rosuvastatin 40mg tablets **99**
- Rubber, Understraps (Suprapubic Belts) **173**
- Rybar Standard Inhaler **113**
- Rybar Standard Inhaler No 2 **113**
- S**
- Saccharin sodium powder **99**
- Saint Marina Safety Net **178**
- Salbutamol 100micrograms/actuation / Ipratropium 20micrograms/actuation inhaler **99**
- Salbutamol 100micrograms/actuation inhaler CFC free **99**
- Salbutamol 1mg/ml nebuliser liquid 2.5ml unit dose vials **99**
- Salbutamol 200microgram inhalation powder capsules **99**
- Salbutamol 200micrograms/actuation dry powder inhaler **99**
- Salbutamol 2mg tablets **99**
- Salbutamol 2mg/5ml oral solution sugar free **99**
- Salbutamol 2mg/ml nebuliser liquid 2.5ml unit dose vials **99**
- Salbutamol 400microgram inhalation powder capsules **99**
- Salbutamol 4mg modified-release tablets **99**
- Salbutamol 4mg tablets **99**
- Salbutamol 8mg modified-release tablets **99**
- Salbutamol 95micrograms/actuation dry powder inhaler **99**
- Salicylic acid 2% / Betamethasone dipropionate 0.05% scalp application **99**
- Salicylic acid 2% lotion **99**
- Salicylic acid 2% ointment **99**
- Salicylic acid 26% solution **99**
- Salicylic acid 3% / Betamethasone dipropionate 0.05% ointment **99**
- Salicylic acid 3% / Sulphur 3% ointment **100**
- Salicylic acid powder **100**
- Salinum **159**
- Saliveze **483**
- Salvix **483**
- Salmeterol 25micrograms/actuation inhaler **100**
- Salmeterol 50micrograms/actuation dry powder inhaler **100**
- Scanpor **174**
- Scott Curwen **115**
- Screw On Needles **164**
- Seal-Tight wound care protector **170**
- SeaSorb Soft **145**
- SeaSorb Soft Filler **145**
- Select Erection Maintenance Ring Set **182**
- Selegiline 10mg tablets **100**
- Selegiline 5mg tablets **100**
- Senna  
     Granules **486**  
     Oral Solution **486**  
     Tablets **486**
- Senna 15mg/5ml granules **100**
- Senna 7.5mg tablets **100**
- Senna 7.5mg/5ml oral solution sugar free **100**
- Senna and Ispaghula Granules **486**
- Senna fruit 12.4% / Ispaghula 54.2% granules **100**
- Senokot Syrup **52**
- SeNova Strips **382**
- Sensocard **382**
- Sertraline 100mg tablets **100**
- Sertraline 50mg tablets **100**
- Setocepre **115, 117**
- Seton Ribbed Stockinette **173**
- Setopress **116**
- Setoprime **117, 140**
- Sevelamer 800mg tablets **100**
- Shade Eye **161**
- Sharpsbin **165**
- Shields  
     Breast **121**  
     Nipple **168**  
     Rubber **173**
- Short Stretch Compression Bandage **119**
- Sibutramine 10mg capsules **100**
- Sibutramine 15mg capsules **100**
- Sigma ETB **171**
- Sildenafil 100mg tablets **100**
- Sildenafil 25mg tablets **100**
- Sildenafil 50mg tablets **100**
- Silgel **156**
- Silgel STC-SE **156**
- Silicone Gel Sheet **156**
- Silicone Topical Cream **156**
- Silkolan **119**
- Silver Coated Barrier Dressing **156**
- Silver Impregnated Polyurethane Foam Film Dressing **156**
- Silver nitrate 95% caustic pencil **100**
- Silver sulfadiazine 1% cream **100**
- Silvercel **150**

## INDEX

- Simple eye ointment **100**  
 Simple linctus **100**  
 Simple linctus paediatric **100**  
 Simple linctus sugar free **100**  
 Simulated Leather Finger Stalls **161**  
 Simvastatin 10mg tablets **100**  
 Simvastatin 20mg tablets **100**  
 Simvastatin 40mg tablets **100**  
 Simvastatin 80mg tablets **100**  
 Skin Adhesives  
     Sterile **176**  
 Skin Closure Strips **176**  
 Skintact Dressing **138**  
 Sling, Arm **113**  
 Slinky Bandage **118**  
 Snap on Needles **164**  
 Soap liniment methylated **100**  
 Soap spirit methylated **100**  
 Sodium Bicarbonate  
     Ear Drops **159**  
 Sodium bicarbonate 500mg capsules **100**  
 Sodium bicarbonate 600mg tablets **100**  
 Sodium bicarbonate powder **100**  
 Sodium Chloride  
     Mouthwash, Compound **483**  
     Solution Sterile **486**  
 Sodium chloride 0.9% eye drops **100**  
 Sodium chloride 0.9% intravenous infusion 100ml vials **100**  
 Sodium chloride 0.9% intravenous infusion 10ml ampoules **101**  
 Sodium chloride 0.9% intravenous infusion 20ml ampoules **101**  
 Sodium chloride 0.9% intravenous infusion 2ml ampoules **101**  
 Sodium chloride 0.9% intravenous infusion 50ml ampoules **101**  
 Sodium chloride 0.9% intravenous infusion 50ml vials **101**  
 Sodium chloride 0.9% intravenous infusion 5ml ampoules **101**  
 Sodium chloride 0.9% solution **101**  
 Sodium chloride compound mixture **101**  
 Sodium chloride compound mouthwash **101**  
 Sodium chloride powder **101**  
 Sodium Citrate  
     Enema, Compound **486**  
 Sodium citrate powder **101**  
 Sodium cromoglicate 2% eye drops **101**  
 Sodium cromoglicate 4% nasal spray **101**  
 Sodium cromoglicate 5mg/actuation inhaler **101**  
 Sodium dihydrogen phosphate dihydrate powder **101**  
 Sodium feredetate 190mg/5ml oral solution sugar free **101**  
 Sodium Fluoride  
     Oral Drops **483**  
     Tablets **483**  
 Sodium fluoride 0.37% oral drops sugar free **101**  
 Sodium fluoride 1.1mg chewable tablets **101**  
 Sodium fluoride 1.1mg tablets **101**  
 Sodium fluoride 2.2mg chewable tablets **101**  
 Sodium fluoride 2.2mg tablets **101**  
 Sodium Fusidate  
     Ointment **483**  
 Sodium fusidate 2% ointment **101**  
 Sodium metabisulphite powder **101**  
 Sodium Picosulfate  
     Capsules **486**  
     Elixir **486**  
 Sodium picosulfate 5mg/5ml oral solution sugar free **101**  
 Sodium salicylate powder **101**  
 Sodium valproate 100mg tablets **101**  
 Sodium valproate 200mg gastro-resistant tablets **101**  
 Sodium valproate 200mg/5ml oral solution **101**  
 Sodium valproate 200mg/5ml oral solution sugar free **101**  
 Sodium valproate 500mg gastro-resistant tablets **101**  
 Soffcrepe Bandage **115**  
 Sofnax Laryngectomy Shield **180**  
 Sofshield Laryngectomy Protectors **180**  
 Soft Polymer Wound Contact Dressing **157**  
     Impregnated with Silver **157**  
     Polyurethane Foam Film Backing - Sterile **157**  
 Soft Silicone Wound Contact Dressing **157**  
 Softclix Lancet **165**  
 Softclix XL **165**  
 Softex **117, 120**  
 Softpore **139**  
 Solifenacin 10mg tablets **102**  
 Solifenacin 5mg tablets **102**  
 Solvaline N **138**  
 SomaCorrect **181**  
 SomaCorrect Xtra **181**  
 SomaErect Response II **181**  
 SomaErect Response II - XL **181**  
 SomaErect Touch II **181**  
 Sorbalgon **144**  
 Sorbalgon T **145**  
 Sorbsan **144**  
 Sorbsan Packing **145**  
 Sorbsan Plus **144**  
 Sorbsan Plus Carbon **143**  
 Sorbsan Plus SA **144**  
 Sorbsan Ribbon **145**  
 Sotalol 160mg tablets **102**  
 Sotalol 200mg tablets **102**  
 Sotalol 40mg tablets **102**  
 Sotalol 80mg tablets **102**  
 Spacer/Holding Chamber Devices **114**  
 Special Container **7**  
 Specifications of Appliances General Requirements **3**  
 Spironolactone 100mg tablets **102**  
 Spironolactone 25mg tablets **102**  
 Spironolactone 50mg tablets **102**  
 Spoons Measuring **21**  
 Spring Trusses **180**  
 SQ-Pen **166**  
 Squill oxymel **102**  
 SST Saliva Stimulating Tablets **159**  
 Standard Dressings **141**  
 Stayform Bandage **118**  
 Stearic acid crystals **102**  
 Sterculia and Frangula Granules **486**  
 Sterculia Granules **486**  
 Stericlens **167**  
 Sterifix **139**  
 Sterile  
     Dressing Pack **141**  
     Eye Pad **141**  
 Sterile Knitted Viscose Dressing **140**  
 Steripod **167**  
 Steri-strip **176**  
 Stockinettes **171—173**  
 Stockings, Elastic  
     Below Knee **159—160**



## INDEX

- Thigh **159–160**  
 Strappal **175**  
 Streptokinase and Streptodornase Topical **486**  
 Stretch Bandage Nylon & Viscose **118**  
 Strontium ranelate 2g granules sachets sugar free **102**  
 Stugeron Tablets **52**  
 Sub-compression Wadding Bandage **120**  
 Submission of Prescription Forms to Processing Divisions **5**  
 Sucralfate 1g tablets **102**  
 Sucrose **102**  
 Sudafed Tablets **52**  
 Sulfasalazine 500mg gastro-resistant tablets **102**  
 Sulfasalazine 500mg tablets **102**  
 Sulindac 100mg tablets **102**  
 Sulindac 200mg tablets **102**  
 Sulphur precipitated powder **102**  
 Sulphur sublimed powder **102**  
 Sulphuric acid dilute liquid **102**  
 Sulpiride 200mg tablets **102**  
 Sulpiride 400mg tablets **102**  
 Sumar Lite **145**  
 Sumar Max **145**  
 Sumatriptan 100mg tablets **102**  
 Sumatriptan 10mg unit dose nasal spray **102**  
 Sumatriptan 12mg/ml injection 0.5ml pre-filled syringes **102**  
 Sumatriptan 12mg/ml injection 0.5ml syringe refill **102**  
 Sumatriptan 20mg unit dose nasal spray **102**  
 Sumatriptan 50mg tablets **102**  
 Suplasyn **177**  
 Suprapubic Belts **173**  
   Replacements Parts for **173**  
 Suprapubic Catheters *See - Catheters, Urinary, Urethral*  
 Suprasorb A **144, 145**  
 Suprasorb C **156**  
 Suprasorb F **142**  
 Suprasorb G **150, 151**  
 Suprasorb H **146, 147, 148**  
 Suprasorb M **152**  
 Suprasorb P **152**  
 Supreme Strips **381**  
 SureEase Erection Maintenance Ring Set **182**  
 SurePress **116**  
 SurePress Bandage **116, 120**  
 SurePress Comfort Pro **183**  
 Surgical Adhesive Tape **174**  
 Surgical spirit **102**  
 Surgical Sutures **175**  
 Suspender Belts **160**  
 Suspenders, Mens **160**  
 Suspensory Bandages, Cotton **120**  
 Suspensory Systems **185**  
 Sutherland Lubricating Jelly **168**  
 Sutures  
   Absorbable **175**  
   Non-Absorbable **176**  
 Swabs  
   Non-Woven Fabric, Filmated **177**  
   Non-Woven Fabric, Non Sterile **177**  
   Non-Woven Fabric, Sterile **177**  
 Swabs Gauze  
   Filmated **177**  
   Non Sterile **177**  
   Sterile **177**  
 Synovial Fluid **177**  
 Synvisc **177**
- Syringes  
 Bladder/Irrigating **178**  
 Ear **178**  
 Enema Higginson's **178**  
 Hypodermic Equipment  
   Insulin **162**  
   Medicine (Oral) **21**  
   Ordinary Purpose **162**  
   Sterile U100 **162**  
 Spare Vaginal Pipes **178**  
 Syrup **102**  
 System 4 Bandages **117, 118**
- T**  
 Tacrolimus 0.03% ointment **103**  
 Tacrolimus 0.1% ointment **103**  
 Tacrolimus 1mg capsules **103**  
 Tacrolimus 500microgram capsules **103**  
 Tacrolimus 5mg capsules **103**  
 Tadalafil 10mg tablets **103**  
 Tadalafil 20mg tablets **103**  
 Tamoxifen 10mg tablets **103**  
 Tamoxifen 20mg tablets **103**  
 Tamoxifen 40mg tablets **103**  
 Tamsulosin 400microgram modified-release capsules **103**  
 Tamsulosin 400microgram modified-release tablets **103**  
 Tape Surgical Adhesive **174**  
 Tartaric acid powder **103**  
 Tegaderm +Pad **143**  
 Tegaderm Dressing **142**  
 Tegaderm IV Dressing **142**  
 Tegagen **144, 145**  
 Tegapore **157**  
 Tegasorb **146, 147**  
   Thin **148**  
 Telfa Dressing **138**  
 Telfa Island Dressing **139**  
 Telfa Max **138**  
 Telmisartan 20mg tablets **103**  
 Telmisartan 40mg tablets **103**  
 Telmisartan 80mg tablets **103**  
 Temazepam  
   Oral Solution **483**  
   Tablets **483**  
 Temazepam 10mg tablets **103**  
 Temazepam 10mg/5ml oral solution sugar free **103**  
 Temazepam 20mg tablets **103**  
 Tenoxicam 20mg tablets **103**  
 Tensopress **116**  
 Terazosin 10mg tablets **103**  
 Terazosin 2mg tablets **103**  
 Terazosin 5mg tablets **103**  
 Terbinafine 1% cream **103**  
 Terbinafine 1% spray **103**  
 Terbinafine 250mg tablets **103**  
 Terbutaline 1.5mg/5ml oral solution sugar free **103**  
 Terbutaline 500micrograms/actuation dry powder inhaler **103**  
 Terbutaline 5mg tablets **103**  
 Test Tubes **178**  
 Testosterone 40mg capsules **103**  
 Testosterone 50mg gel sachets **103**  
 Tetrabenazine 25mg tablets **103**  
 Tetracycline  
   Tablets **483**

## INDEX

- Tetracycline 250mg tablets **103**  
 Textube **171**  
 Theophylline 125mg modified-release capsules **104**  
 Theophylline 175mg modified-release tablets **104**  
 Theophylline 250mg modified-release capsules **104**  
 Theophylline 250mg modified-release tablets **104**  
 Theophylline 400mg modified-release tablets **104**  
 Theophylline 60mg modified-release capsules **104**  
 Thermometer, Fertility **136**  
 Thiamine 100mg tablets **104**  
 Thiamine 50mg tablets **104**  
 Thigh Stockings, Elastic **159–161**  
 Thioridazine 25mg/5ml oral solution **104**  
 Thymol Glycerin Compound **486**  
 Thymol glycerin compound mouthwash **104**  
 Tiaprofenic acid 300mg modified-release capsules **104**  
 Tibolone 2.5mg tablets **104**  
 Tielle **152**  
 Tielle Borderless **152**  
 Tielle Lite **153**  
 Tielle Packing **145**  
 Tielle Plus **154**  
 Tielle Plus Borderless **155**  
 Tielle Plus Heel Hydropolymer Adhesive Dressing **154**  
 Tielle Sacrum **152**  
 Timolol 0.1% gel eye drops **104**  
 Timolol 0.25% eye drops **104**  
 Timolol 0.25% eye gel **104**  
 Timolol 0.5% eye drops **104**  
 Timolol 0.5% eye gel **104**  
 Timolol 10mg tablets **104**  
 Tinidazole 500mg tablets **104**  
 Tioconazole 28.3% nail solution **104**  
 Tiotropium bromide 18microgram inhalation powder capsules **104**  
 Tiotropium bromide 18microgram inhalation powder capsules with device **104**  
 Tissue Gauze **162**  
 Titanium  
     Ointment **486**  
 Tizanidine 2mg tablets **104**  
 Tizanidine 4mg tablets **104**  
 Tolbutamide 500mg tablets **104**  
 Tolterodine 1mg tablets **104**  
 Tolterodine 2mg tablets **104**  
 Tolterodine 4mg modified-release capsules **104**  
 Topiramate 100mg tablets **104**  
 Topiramate 200mg tablets **104**  
 Topiramate 25mg tablets **104**  
 Topiramate 50mg tablets **104**  
 Torasemide 10mg tablets **104**  
 Torasemide 2.5mg tablets **104**  
 Torasemide 5mg tablets **104**  
 Tracheo Brush **179**  
 Tracheostomy  
     Breathing Aids **178**  
     Dressings **179**  
     Protectors **180**  
     Tube Holders **179**  
     Voice Prosthesis Cleaning Brush **180**  
 Trachi-Dress Dressings **179**  
 Trachi-Naze Nasal Restoration **179**  
 Trachi-Naze Plus Filters **179**  
 Trachi-Naze Plus Nasal Restoration **179**  
 Trachi-Naze Plus Stoma Stud **179**  
 Tragacanth powder **104**  
 Tramadol 100mg modified-release tablets **104**  
 Tramadol 150mg modified-release tablets **105**  
 Tramadol 200mg modified-release tablets **105**  
 Tramadol 50mg capsules **105**  
 Trandate Tablets **52**  
 Trandolapril 2mg capsules **105**  
 Trandolapril 4mg capsules **105**  
 Trandolapril 500microgram capsules **105**  
 Tranexamic acid 500mg tablets **105**  
 Transorbent **152**  
 Transparency Directive **533**  
 Tranylcypromine 10mg tablets **105**  
 Travoprost 40micrograms/ml eye drops **105**  
 Trazodone 100mg capsules **105**  
 Trazodone 150mg tablets **105**  
 Trazodone 50mg capsules **105**  
 Triamcinolone 0.1% oromucosal paste **105**  
 Triamcinolone 55micrograms/actuation nasal spray **105**  
 Triamcinolone Dental Paste **483**  
 Triamterene 50mg / Furosemide 40mg tablets **105**  
 Triamterene 50mg capsules **105**  
 Triangular Bandage, Calico **120**  
 Triclofos 500mg/5ml oral solution **105**  
 Tricotex **140**  
 Trifluoperazine 10mg modified-release capsules **105**  
 Trifluoperazine 15mg modified-release capsules **105**  
 Trifluoperazine 1mg tablets **105**  
 Trifluoperazine 5mg tablets **105**  
 Trifluoperazine 5mg/5ml oral solution sugar free **105**  
 Trihexyphenidyl 2mg tablets **105**  
 Trihexyphenidyl 5mg tablets **105**  
 Trimethoprim 100mg tablets **105**  
 Trimethoprim 200mg tablets **105**  
 Trimethoprim 50mg/5ml oral suspension sugar free **105**  
 Trimipramine 10mg tablets **105**  
 Trimipramine 25mg tablets **105**  
 Trimipramine 50mg capsules **105**  
 Trionic **144**  
 Trionic Rope **145**  
 Trospium chloride 20mg tablets **105**  
 TrueTrack System **382**  
 Trufoam **154**  
 Trufoam NA **155**  
 Trusses  
     Elastic Band **181**  
     Spring **180**  
     Umbilical "Belts" Infants **181**  
     Understrap, Replacements and Repairs **181**  
 T-Safe 380A **137**  
 TT380 Slimline **137**  
 Tubifast **172**  
 Tubigrip **171**  
 Tubing  
     Plastics **137**  
 Tubipad **171**  
 Tubular Bandage **120**  
 Tulle Dressings **140**  
 Tulle Gras Dressing **140**  
 Turpentine oil liquid **105**

## INDEX

## U

Ulcertec **183**  
 Ultec Pro **146, 147**  
 Ultimate Erection Maintenance Ring Set **182**  
 Ultra Erection Maintenance Ring Set **182**  
 Ultra Fast Cohesive Bandage **117**  
 Ultra Four 4 system **118**  
 Ultra Four Bandages **117**  
 Ultra Lite **117**  
 Ultra Plus **117**  
 Ultra Soft Wadding Bandage **117, 120**  
 Ultrabase **485**  
 Unguentum M **485**  
 Unifine Pentips **164**  
 Unilet ComforTouch Lancet **165**  
 Unilet General Purpose Lancet **165**  
 Unilet General Purpose Superlite Lancet **165**  
 Unilet Superlite Lancet **165**  
 Urgocell **157**  
 Urgosorb Pad **145**  
 Urgosorb Rope **145**  
 Urgotul **157**  
 Urgotul SSD **157**  
 Uriflex G **121**  
 Uriflex R **121**  
 Uriflex S **121**  
 Uriflex SP **121**  
 Uriflex W **121**  
 Urinals  
     Rubber (Suprapubic) **173**  
 Uro-Tainer NaCl **121**  
 Uro-Tainer Twin Solutio R **121**  
 Uro-Tainer Twin Suby G **121**  
 Ursodeoxycholic acid 150mg tablets **106**  
 Ursodeoxycholic acid 250mg capsules **106**  
 UT380 Short **137**  
 UT380 Standard **137**

## V

V.E.C. High Compression Bandage **116**  
 Vacunet **151**  
 Vacuskin **142**  
 Vacutex **145**  
 Vaginal Applicator  
     Durex **113**  
     Ortho **113**  
 Vaginal Contraceptive  
     Applicators **113**  
     Caps **137**  
     Diaphragm **137**  
 Vaginal Dilators **183**  
 Vaginal Moisturisers **183**  
 Vaginal Pipe Spare, for Enema Syringe **178**  
 Valaciclovir 500mg tablets **106**  
 Valproic acid 250mg gastro-resistant tablets **106**  
 Valproic acid 500mg gastro-resistant tablets **106**  
 Valsartan 160mg capsules **106**  
 Valsartan 40mg capsules **106**  
 Valsartan 80mg capsules **106**  
 Vapour-Permeable  
     Adhesive Film Dressing **142**  
     Waterproof Plastic Wound Dressing **143**  
 Vardenafil 10mg tablets **106**  
 Vardenafil 20mg tablets **106**  
 Vardenafil 5mg tablets **106**  
 Varex Short Stretch Bandage **119**  
 Vecche Bandage **116**  
 Velband Bandage **116, 120**

Velosef Capsules **52**  
 Venlafaxine 150mg modified-release capsules **106**  
 Venlafaxine 37.5mg tablets **106**  
 Venlafaxine 75mg modified-release capsules **106**  
 Venlafaxine 75mg tablets **106**  
 Venous Ulcer Compression Systems **183**  
 Venticaire Mask **387—389**  
 Venticaire Venturi Mask 28% **387—389**  
 Ventimask **387—389**  
 Verapamil 120mg modified-release capsules **106**  
 Verapamil 120mg modified-release tablets **106**  
 Verapamil 120mg tablets **106**  
 Verapamil 160mg tablets **106**  
 Verapamil 180mg modified-release capsules **106**  
 Verapamil 240mg modified-release capsules **106**  
 Verapamil 240mg modified-release tablets **106**  
 Verapamil 40mg tablets **106**  
 Verapamil 80mg tablets **106**  
 Versiva **149**  
 Versol **167**  
 Vetco UK Constriction Rings **182**  
 Vetex Pump System **182**  
 Vigabatrin 500mg oral powder sachets sugar free **106**  
 Vigabatrin 500mg tablets **106**  
 Vimule Cap **137**  
 Viscopaste PB7 **120**  
 Viscose & Nylon Stretch Bandage **118**  
 Viscose and Elastomer Knitted Bandage **115**  
 Viscose Dressing Sterile Knitted **140**  
 Viscose, Elastane and Cotton Compression Bandage **116**  
 VitalCare Auto Safety Lancet **165**  
 Vitalograph **169**  
 Vitamin B compound strong tablets **106**  
 Vitamin B Tablets Compound Strong **483**  
 Vitamins A and D capsules **106**  
 Vitamins B and C high potency intramuscular injection 5ml + 2ml ampoules **106**  
 Vitamins B and C high potency intravenous injection 5ml + 5ml ampoules **106**  
 Vitamins capsules **107**  
 Vitrex Soft **165**  
 Voice Prosthesis Cleaning Brush **180**  
 Voiceline **180**  
 Volumatic **114**

## W

Warfarin 1mg tablets **107**  
 Warfarin 3mg tablets **107**  
 Warfarin 500microgram tablets **107**  
 Warfarin 5mg tablets **107**  
 Water for injection 100ml vials **107**  
 Water for injection 10ml ampoules **107**  
 Water for injection 1ml ampoules **107**  
 Water for injection 20ml ampoules **107**  
 Water for injection 2ml ampoules **107**  
 Water for injection 5ml ampoules **107**  
 Wet Protect **180**  
 White liniment **107**  
 White soft paraffin solid **107**  
 Wild cherry syrup **107**  
 Wool alcohols ointment **107**  
 Wool fat solid **107**  
 Wool Surgical, Felt **136**  
 Wound Dressing

## INDEX

- Elastic Adhesive **140**  
Wound Dressings  
  Plastic **143**  
Wound Management Dressing  
  Cavity Dressing **145**  
  Collagen Dressing **145**  
  Hydrocolloid Paste **150**  
  Polyurethane Foam Dressing **151**  
  Polyurethane Foam Film Dressing **152—154**  
  Polyurethane Matrix Dressing **155**  
  Wound Drainage Pouch **158**  
Wound Management Dressings **143—158**  
  Activated Charcoal Dressing **143**  
  Alginate Dressings **144**  
  Capillary Action Absorbent Wound Dressing **145**  
  Conforming Foam Cavity Wound Dressing **145**  
  Hydrocolloid Dressing **146**  
  Hydrogel Dressing **150—151**  
  Protease Modulating Matrix **155**  
  Silicone **156, 157**  
  Silver Coated Barrier Dressings **156**  
  Silver Impregnated **156**  
  Soft Polymer Wound Contact Dressing **157**  
  Soft Silicone Wound Contact Dressing **157**

**X**

- Xipamide 20mg tablets **107**  
Xylometazoline 0.05% nasal drops **107**  
Xylometazoline 0.1% nasal drops **107**  
Xylometazoline 0.1% nasal spray **107**

**Y**

- Yellow soft paraffin solid **107**

**Z**

- Zafirlukast 20mg tablets **107**  
Zaleplon 10mg capsules **107**  
Zaleplon 5mg capsules **107**  
Zero Deduction **9—14**  
Zerobase Cream **485**  
Zinc  
  And Castor Oil Ointment **486**  
Zinc and Castor oil ointment **107**  
Zinc and Salicylic acid paste **107**  
Zinc compound paste **107**  
Zinc Cream **486**  
Zinc Ointment **486**  
Zinc ointment **107**  
Zinc Oxide  
  And Dimeticone Spray **486**  
  Elastic Adhesive Bandage **115**  
  Impregnated Medicated Stocking **486**  
Zinc oxide 12.5% / Dimeticone 1.04% spray **107**  
Zinc oxide powder **107**  
Zinc Paste and Calamine bandage **486**  
Zinc Paste and Ichthammol bandage, BP 1993 **486**  
Zinc Paste bandage, BP 1993 **486**  
Zinc Paste Bandages **120**  
  And Coal Tar **120**  
  And Ichthammol **120**  
Zinc Paste, Calamine and Clioquinol bandage, BP 1993 **486**  
Zinc sulphate 0.25% eye drops **107**  
Zinc sulphate 1% lotion **107**

- Zinc sulphate powder **107**  
Zolmitriptan 2.5mg orodispersible tablets sugar free **107**  
Zolmitriptan 2.5mg tablets **108**  
Zolmitriptan 50mg/ml nasal spray 0.1ml unit dose **108**  
Zolmitriptan 5mg orodispersible tablets sugar free **108**  
Zolpidem 10mg tablets **108**  
Zolpidem 5mg tablets **108**  
Zopiclone 3.75mg tablets **108**  
Zopiclone 7.5mg tablets **108**  
Zuclopenthixol 10mg tablets **108**  
Zuclopenthixol 25mg tablets **108**  
Zuclopenthixol 2mg tablets **108**  
Zuclopenthixol acetate 50mg/ml injection 1ml ampoules **108**  
Zuclopenthixol acetate 50mg/ml injection 2ml ampoules **108**  
Zuclopenthixol decanoate 200mg/ml injection 1ml ampoules **108**  
Zuclopenthixol decanoate 500mg/ml injection 1ml ampoules **108**