
PREFACE

TO: General Medical Practitioners, Pharmacy Contractors, Appliance Contractors (Excluding Drug Stores)

PREFACE
AMENDMENTS TO THE DRUG TARIFF
January 2005

1. Pursuant to Regulation 18(1) of the National Health Service (Pharmaceutical Services) Regulations 1992, the Secretary of State for Health as respects England and the National Assembly for Wales as respects Wales has amended the Drug Tariff with effect from 1 January 2005.
2. Please note that you are now being supplied each month with the Drug Tariff which incorporates all amendments to date. All entries showing a change in price are not specifically included in this preface but are indicated in the Drug Tariff by ▽ for price reduction and △ for price increase; changes to the text relating to code, product description, or the inclusion of a new product are indicated by a vertical line in the margin.
3. While every effort is made to ensure that each monthly publication of the Drug Tariff includes all amendments made by the Secretary of State and the National Assembly for Wales to the price applicable to the relevant period, the need to observe printing deadlines sometimes defeats those efforts. Any omitted amendments will be effective from the date on which they came into force, even if publication of the details is unavoidably delayed.

4. ADVANCE NOTICE

4.1 ADDITIONS TO FEBRUARY 2005 DRUG TARIFF

4.1.1 ADDITIONS TO PART VIII EFFECTIVE FROM 1 FEBRUARY 2005

■ **Special Container**

* **This pack only (other pack already available)**

	■	3ml	Category C <i>Lumigan</i>
* Bimatoprost 300micrograms/ml eye drops		100	Category A
* Chlordiazepoxide 5mg capsules		100	Category A
* Chlordiazepoxide 10mg capsules		28	Category C <i>Ezetrol</i>
Ezetimibe 10mg tablets		5	Category C <i>Durogesic</i>
Fentanyl 25micrograms/hour patches		5	Category C <i>Durogesic</i>
Fentanyl 50micrograms/hour patches		5	Category C <i>Durogesic</i>
Fentanyl 75micrograms/hour patches		5	Category C <i>Durogesic</i>
Fentanyl 100micrograms/hour patches		60	Category C <i>Keppra</i>
Levetiracetam 750mg tablets		28	Category A
* Nitrofurantoin 50mg tablets		28	Category A
* Nitrofurantoin 100mg tablets		84	Category C <i>Requip</i>
Ropinirole 1mg tablet		84	Category C <i>Requip</i>
Ropinirole 2mg tablet		84	Category C <i>Requip</i>
Ropinirole 5mg tablet			

4.2 DELETIONS FROM FEBRUARY 2005 DRUG TARIFF

4.2.1 DELETIONS FROM PART IX EFFECTIVE FROM 1 FEBRUARY 2005

See Pages 131, 224, 230, 310, 324 and 332

PREFACE

4.3 OTHER CHANGES TO FEBRUARY 2005 DRUG TARIFF**4.3.1 OTHER CHANGES TO PART VIII EFFECTIVE FROM 1 FEBRUARY 2005**◆ **Calendar Pack**

Ascorbic acid	100g	Category C <i>Loveridge</i> : will be Category A
Chlordiazepoxide 10mg tablets	100	Category C <i>Tropium</i> : will be Category A
Co-cyprindiol 2000/35 tablets	◆ 63	Category C <i>Dianette</i> : will be Category A
Dipyridamole 25mg tablets	84	Category C <i>Persantin</i> : will be Category A
Moxonidine 200microgram tablets	◆ 28	Category C <i>Physiotens</i> : will be Category A
Moxonidine 400microgram tablets	◆ 28	Category C <i>Physiotens</i> : will be Category A
Sodium bicarbonate 600mg tablets	100	Category C <i>Ivax Pharm</i> : will be Category A

5. CHANGES TO JANUARY 2005 DRUG TARIFF**5.1 ADDITIONS TO JANUARY 2005 DRUG TARIFF****5.1.1 PART VIII - BASIC PRICES OF DRUGS**■ **Special Container****Page 37 -**

Acenocoumarol 1mg tablets	100	474	C	<i>Sinthrome</i>
Alclometasone 0.05% cream	■ 50 g	282	C	<i>Modrasone</i>
Alclometasone 0.05% ointment	■ 50 g	282	C	<i>Modrasone</i>

Page 40 -

Azelaic acid 20% cream	■ 30 g	440	C	<i>Skinoren</i>
Balsalazide 750mg capsules	130	3900	C	<i>Colazide</i>

Page 46 -

Cimetidine 200mg/5ml oral solution sugar free	300 ml	1424	A	
---	--------	------	---	--

Page 47 -

Clioquinol 3% / Betamethasone valerate 0.1% cream	■ 30 g	189	C	<i>Betnovate-C</i>
Clioquinol 3% / Betamethasone valerate 0.1% ointment	■ 30 g	189	C	<i>Betnovate-C</i>

PREFACE

Page 54 -

Entacapone 200mg tablets	30	1864	C	<i>Comtess</i>
	100	6214	C	<i>Comtess</i>

Page 63 -

Levetiracetam 1g tablets	60	10110	C	<i>Keppra</i>
Levetiracetam 250mg tablets	60	2970	C	<i>Keppra</i>
Levetiracetam 500mg tablets	60	5230	C	<i>Keppra</i>

Page 79 -

Salicylic acid 2% / Betamethasone dipropionate 0.05% scalp application	■	100 ml	1050	C	<i>Diprosalic</i>
Salicylic acid 3% / Betamethasone dipropionate 0.05% ointment	■	30 g	330	C	<i>Diprosalic</i>
Salicylic acid 3% / Betamethasone dipropionate 0.05% ointment	■	100 g	950	C	<i>Diprosalic</i>

Page 87 -

Zolmitriptan 5mg orodispersible tablets	6	2616	C	<i>Zomig Rapimelt</i>
--	---	------	---	-----------------------

5.1.2 PART IXA - APPLIANCES**Page 103 - CATHETER MAINTENANCE SOLUTIONS**

Uriflex G 3.23% Citric Acid	(GR076)	100ml	323
Uriflex R 6% Citric Acid	(GR086)	100ml	323

Page 128 - DRESSINGS

Vapour-permeable Adhesive Film Dressing Vacuskin		6cm x 7cm 10cm x 12cm 10cm x 25cm 15cm x 20cm	40 106 206 219
---	--	--	-------------------------

Page 142 - WOUND MANAGEMENT DRESSINGS

Soft Polymer Wound Contact Dressing CE Urgotul		10cm x 12cm	286
---	--	-------------	-----

Page 168 - VENOUS ULCER COMPRESSION SYSTEM

Activa Leg Ulcer Hosiery Kit (Activa Healthcare)	Medical Stocking & Compression Liner (pack contains 1 stocking and 2 liners) Small, Medium, Large, Extra Large, Extra Extra Large		1999
	Liner pack (pack contains 3 liners) Small, Medium, Large, Extra Large, Extra Extra Large		1499

PREFACE

5.1.3 PART IXB - INCONTINENCE APPLIANCES**Page 190 - NIGHT DRAINAGE BAGS****# Non-drainable bags****S These Night Drainage Bags are supplied sterile**

A1 Pharmaceuticals	#	Uriline Non sterile 2 litre bag	A1	10	205
	#	Uriline Non sterile 2 litre bag with non-return valve	A2	10	220
	S	Uriline 2 litre bag with non-return valve and tap	A4	10	1100

Page 191 - NIGHT DRAINAGE BAGS

ProSys International		Non Sterile 2 litre drainage bag with 90cm inlet tube and non-return valve	P2	10	209
----------------------	--	--	----	----	-----

5.1.4 PART IXC - STOMA APPLIANCES**Page 221 - ADHESIVE REMOVERS (SPRAYS, LIQUIDS, WIPES)**

CliniMed Ltd Essentials Accessories		Appeel No Sting Medical Adhesive Remover	3505	30 wipes	1442
			3500	50ml aerosol	870

Page 267 - COLOSTOMY BAGS

Welland Medical Ltd		Welland FreeStyle Colostomy Pouches (incorporating Dual-Carb Filter) Closed pouch with integral convexity with soft backing Beige soft backing to both sides Medium 13mm starter hole (cuts to 35mm)	NCM 513	10	2621
		pre-cut			
		25mm	NCM 525	10	2621
		29mm	NCM 529	10	2621
		32mm	NCM 532	10	2621
		35mm	NCM 535	10	2621
		Large 13mm starter hole (cuts to 48mm)	NCL 513	10	2621
		pre-cut			
		35mm	NCL 535	10	2621
		38mm	NCL 538	10	2621
		44mm	NCL 544	10	2621
		Clear with white soft backing on flange side Medium 13mm starter hole (cuts to 35mm)	NCM 713	10	2621
		Large 13mm starter hole (cuts to 48mm)	NCL 713	10	2621

Page 272 - FILTERS/BRIDGES

Opus Healthcare Ltd (formerly AlphaMed Ltd)		ClearWay Stoma Bridge Mini	8800	30	949
--	--	----------------------------	------	----	-----

PREFACE

Page 320 - ILEOSTOMY (DRAINABLE) BAGS

Welland Medical Ltd	FreeStyle Drainable Pouch with integral convexity with soft backing and Dual Carb Filter and Integral closure			
	Beige soft backing to both sides			
	Medium			
	13mm starter hole			
	(cut to 35mm)	NDM 513	10	3910
	25mm	NDM 525	10	3910
	29mm	NDM 529	10	3910
	32mm	NDM 532	10	3910
	35mm	NDM 535	10	3910
	Large			
	13mm starter hole			
	(cut to 48mm)	NDL 513	10	3910
	35mm	NDL 535	10	3910
	38mm	NDL 538	10	3910
	44mm	NDL 544	10	3910
	Clear with soft backing on flange side			
	Medium			
	13mm starter hole			
	(cut to 35mm)	NDM 713	10	3910
	Large			
	13mm starter hole			
	(cut to 48mm)	NDL 713	10	3910

**Page 328 - SKIN FILLERS AND PROTECTIVES
(Barrier Creams, Pastes, Aerosols, Lotions, Powders, Gels and Wipes)**

Opus Healthcare Ltd (formerly AlphaMed Ltd)	LaVera Barrier Cream	3300	30 sachets	1098
OstoMart Ltd	OstoCLENZ No rinse Skin Cleansing Gel	LGS2	100ml	267

Page 338 - TWO PIECE OSTOMY SYSTEMS

C S Bullen	Shelter Drainable Pouch Extra Large			
	38mm	4700/38	10	1231
	45mm	4700/45	10	1231
	57mm	4700/57	10	1231
	70mm	4700/70	10	1231

5.1.5 PART XV - BORDERLINE SUBSTANCES**Page 431 - LIST A**

Fresubin Protein Energy Drink

5.1.6 PART XVI - NOTES ON CHARGES**Page 486 - CONTRACEPTIVE SERVICES**

List of Contraceptive Drugs to be Dispensed Free of Charge:

Levonelle One-Step

PREFACE

5.2 DELETIONS FROM JANUARY 2005 DRUG TARIFF**5.2.1 PART VIII - BASIC PRICES OF DRUGS**

- **Special Container**
- * **This pack only (other pack still available)**

Page 51 -

* Dexamethasone 500microgram tablets	30	96	C	<i>Decadron</i>
--------------------------------------	----	----	---	-----------------

Page 55 -

* Erythromycin 250mg gastro-resistant tablets	100	1100	C	<i>Abbott</i>
---	-----	------	---	---------------

Page 66 -

Medroxyprogesterone 150mg/ml injection 1ml vials	■	1	501	C	<i>Depo-Provera</i>
--	---	---	-----	---	---------------------

Page 67 -

* Mianserin 30mg tablets	100	1446	A	
--------------------------	-----	------	---	--

Page 81 -

Sorbitol 70% solution non-crystallising	1 litre	440	A	
---	---------	-----	---	--

5.2.2 PART XV - BORDERLINE SUBSTANCES**Page 444 - LIST A**

Protenplus

5.3 OTHER CHANGES TO JANUARY 2005 DRUG TARIFF**5.3.1 PART VIII - BASIC PRICES OF DRUGS**

- **Special Container**
- ◆ **Calendar Pack**

Page 47 -

Citalopram 10mg tablets	◆	28	964	C	<i>Cipramil</i>
-------------------------	---	----	-----	---	-----------------

Now Reads

Citalopram 10mg tablets	◆	28	888	A	
-------------------------	---	----	-----	---	--

Citalopram 20mg tablets	◆	28	1603	C	<i>Cipramil</i>
-------------------------	---	----	------	---	-----------------

Now Reads

Citalopram 20mg tablets	◆	28	1507	A	
-------------------------	---	----	------	---	--

Citalopram 40mg tablets	◆	28	2710	C	<i>Cipramil</i>
-------------------------	---	----	------	---	-----------------

Now Reads

Citalopram 40mg tablets	◆	28	2504	A	
-------------------------	---	----	------	---	--

PREFACE

Page 47 -					
Clindamycin 150mg capsules		24		1372	C <i>Dalacin C</i>
Now Reads					
Clindamycin 150mg capsules		24		1372	A
Page 53 -					
Disodium etidronate 200mg tablets		60		3730	C <i>Didronel</i>
Now Reads					
Disodium etidronate 200mg tablets		60		3730	A
Page 62 -					
Kaolin and Morphine mixture		2	litre	424	A
Now Reads					
Kaolin and Morphine mixture		200	ml	43	C <i>Unichem</i>
Page 67 -					
Methylphenidate 10mg tablets	◆	30		557	C <i>Ritalin</i>
Now Reads					
Methylphenidate 10mg tablets	◆	30		545	A
Page 74 -					
Permethrin 5% cream	■	30	g	552	C <i>Lyclear Dermal</i>
Now Reads					
Permethrin 5% cream	■	30	g	552	A
Page 84 -					
Thymol glycerin compound mouthwash		2	litre	490	A
Now Reads					
Thymol glycerin compound mouthwash		200	ml	52	C <i>Thornton & Ross</i>

5.3.2 PART XV - BORDERLINE SUBSTANCES**Page 444 - LIST A**

Bercoeli Products
Now Reads
 Proceli Products

PREFACE

This Page is Intentionally Blank

CONTENTS**Cont**

Preface	i
Definitions.....	2
Part I Requirements for the Supply of Drugs, Appliances and Chemical Reagents.....	3
Part II Requirements Enabling Payments to be made for the supply of Drugs, Appliances and Chemical Reagents	5
Part IIIA Professional Fees (Pharmacy Contractors)	15
Part IIIB Scale of Fees (Appliance Contractors)	19
Part IV Containers.....	21
Part V Deduction Scale (Pharmacy Contractors).....	23
Part VIA Payment for additional professional services.....	27
Part VIB Scale of On-cost allowances (Appliance Contractors).....	29
Part VIC Repeat Dispensing Fees.....	31
Part VII Drugs with Common Pack	33
Part VIII Basic Prices of Drugs.....	35
Part IX Appliances (Approved list of Appliances - Notes).....	89
Part IX Appliances (List of Technical Specifications).....	91
Part IXA Appliances	93
Part IXB Incontinence Appliances	169
Part IXC Stoma Appliances	217
Part IXR Chemical Reagents.....	385
Part X Domiciliary Oxygen Therapy Service.....	387
Part XI Additional Pharmacist Access Services (formerly Rota Service).....	407
Part XII Essential Small Pharmacies Scheme (ESPS)	409
Part XIII Payments in respect of Pre-Registration Trainees	413
Part XIVA Advice to Care Homes	415
Part XIVB Patient Medication Records	417
Part XIVC Reward Scheme - Fraudulent Prescription forms	419
Part XV Borderline Substances	423
Part XVI Notes on Charges	483
Part XVIIA Dental Prescribing.....	497
Part XVIIIB(i) Nurse Prescribing	499
Part XVIIIB(ii) Nurse Prescribing	503
Part XVIIIA Drugs and other substances not to be prescribed under the NHS Pharmaceutical Services	511
Part XVIIIB Drugs to be prescribed in certain circumstances under the NHS Pharmaceutical Services	539
Part XVIIIC Criteria notified under the Transparency Directive.....	541
Part XIX Payments to Chemists Suspended by Direction of the NHS Tribunal	543
INDEX	547

DEFINITIONS

- a. Except where the context otherwise requires, the terms to which a meaning is assigned by the Regulations or the Terms of Service have the same meaning in this Tariff.
 - b. The term contractor has the same meaning as chemist as defined in the Regulations.
 - c. A pharmacy contractor is a person with whom the Primary Care Trust (PCT) for England and Local Health Board (LHB) for Wales has made arrangements for the provision of pharmaceutical services in respect of the supply of drugs, appliances and chemical reagents.
 - d. An appliance contractor is a person with whom the PCT for England and LHB for Wales has made arrangements for the provision of pharmaceutical services so far as it relates to the supply of appliances included within Part IXA/B/C of this Tariff.
 - e. A drug store contractor is a person with whom the PCT for England and LHB for Wales has made arrangements for the provision of pharmaceutical services so far as it relates to the supply of medicinal products on a general sales list under or by virtue of the provisions of the Medicines Act.
 - f. The term persons includes a body of persons corporate or unincorporate.
 - g. The term Pricing Authority means, as the case may require, the Prescription Pricing Authority or the Health Solutions Wales.
 - h. The term appliances as used in this Tariff includes dressings.
 - i. The term prescription refers to an item on a prescription form or dispensed in accordance with a repeatable prescription.
 - j. The term prescription form includes, where appropriate, a repeatable prescription.
-
- NB In the preparation of this Tariff the Secretary of State for Health and the National Assembly for Wales have consulted the Pharmaceutical Services Negotiating Committee.

REQUIREMENTS FOR THE SUPPLY OF DRUGS, APPLIANCES AND CHEMICAL REAGENTS**CLAUSE 1 DRUGS**

Any drug included in this Tariff or in the British National Formulary including the Nurse Prescribers' Formulary, Dental Practitioner's Formulary, European Pharmacopoeia, British Pharmacopoeia or the British Pharmaceutical Codex, supplied as part of pharmaceutical services, must comply with the standard or formula specified therein unless the prescriber has indicated to the contrary. Any drug supplied which is not so included must be of a grade or quality not lower than that ordinarily used for medicinal purposes.

CLAUSE 2 APPLIANCES

The only appliances which may be supplied as part of the pharmaceutical services are those listed in Part IXA/B/C, and Part X (see Clause 4 below), of the Tariff and which comply with the specifications therein. The items within Part IXA which are **not** prescribable on Forms FP10(CN) and FP10(PN) are annotated ☒

CLAUSE 3 CHEMICAL REAGENTS

The only chemical reagents which may be supplied as part of the pharmaceutical services are those listed in Part IXR of the Tariff. The items within Part IXR which are **not** prescribable on forms FP10(CN) and FP10(PN) are annotated ☒

CLAUSE 4 DOMICILIARY OXYGEN THERAPY SERVICE

The requirements for the supply of domiciliary oxygen and its associated appliances together with the arrangements for reimbursement of those contractors included on the PCT's for England and LHB's for Wales lists of contractors authorised to provide this service, are set out in Part X of the Tariff.

CLAUSE 5 CLAIMS FOR PAYMENT

Contractors shall endorse prescription forms as required in Clause 9 (Endorsement Requirements) of this Tariff. Contractors shall sort and despatch forms in such a manner as the PCT for England and LHB for Wales may direct. Contractors shall despatch the forms together with the appropriate claim form not later than the fifth day of the month following that in which the supply was made.

CLAUSE 5A CLAIMS FOR PAYMENT - REPEAT DISPENSING SERVICES

- A Contractors shall endorse batch issues (rather than repeatable prescriptions) as required in Clause 9 (Endorsement Requirements) of this Tariff. In addition, a batch issue relating to drugs, appliances or chemical reagents which have been dispensed shall be stamped with the contractor's stamp and dated with the date on which the items were dispensed.
- B Contractors shall sort and despatch batch issues and repeatable prescriptions in such a manner as the Primary Care Trust may direct.
- (i) Contractors shall despatch batch issues relating to drugs, appliances or chemical reagents which have been dispensed, together with the appropriate claim form, not later than the fifth day of the month following that in which the supply was made.
 - (ii) Contractors shall retain repeatable prescriptions until they have expired or are no longer required, and shall then despatch them (separately from the batch issues) in the month following that in which they expired or the contractor became aware that they were no longer required.
 - (iii) Contractors shall destroy any batch issues relating to drugs, appliances or chemical reagents which are not required, or which should not be dispensed, because the contractor has been notified to that effect by the doctor who issued them or because the relevant repeatable prescription has expired.

This Page is Intentionally Blank

**REQUIREMENTS ENABLING PAYMENTS TO BE MADE FOR THE SUPPLY OF DRUGS,
APPLIANCES AND CHEMICAL REAGENTS**

CLAUSE 6 **CALCULATION OF PAYMENTS

II

A Pharmacy Contractors

Payment for services provided by pharmacy contractors in respect of the supply of drugs, appliances and chemical reagents supplied against prescriptions at each separate place of business shall comprise:-

- (i) (a) The total of the prices of the drugs, appliances and chemical reagents so supplied calculated in accordance with the requirements of this Tariff.
LESS
* (b) An amount, based on the total of the prices at (i)(a) above, calculated from the table at Part V ("Deduction Scale").
AND
- (ii) The appropriate professional fee as set out in Part IIIA
AND
- (iii) The allowance for containers and specified measuring devices as set out in Part IV.

***NOTE 1**

No deduction will be made in respect of prescriptions for items listed on page 9, 10, 11 and 13 for which the contractor has not been able to obtain a discount:

****NOTE 2**

(Wales only) Payments in respect of October 1999 to March 2000.

Contractors in agreement with LHBs in Wales who have notified the LHB that they accept the revised basis of calculation of payments for the period 1 October 1999 to 31 March 2000 set out in the National Assembly's offer letters on 20 November 2000 and 3 April 2001 shall be paid in accordance with the provisions of these letters.

B Appliance Contractors

Payment for services provided by appliance contractors in respect of the supply of appliances so supplied against prescriptions at each separate place of business, shall comprise:-

- (i) The total of the prices of the appliances, calculated in accordance with Part IXA/B/C
PLUS
- (ii) An amount based on the number of prescriptions against which supply is made each month, calculated from the Table at Part VIB ("Oncost Allowance" scale) and applied to the total of the prices at (i) above.

PROVIDED THAT

- (a) Where prescription forms are received by the Pricing Authority from two or more contractors whose names are separately entered on the pharmaceutical list for the supply of appliances only in respect of the provision of services at the same place of business, all such prescription forms shall be aggregated for the purpose of the calculation as at (ii) above and the rate so calculated shall be applied to the total of the prices calculated in accordance with (i) above in respect of the prescriptions received from each of those persons.
- (b) A contractor's name shall not be entered on the Pharmaceutical List separately for the same place of business in respect of (1) the supply of appliances, (2) the supply of drugs and appliances, or (3) the supply of drugs, except in the case of a contractor for whom separate entries on the Pharmaceutical List relating to the same place of business were allowed prior to the first day of November 1961.

**REQUIREMENTS ENABLING PAYMENTS TO BE MADE FOR THE SUPPLY OF DRUGS,
APPLIANCES AND CHEMICAL REAGENTS**

- (c) Where a contractor's name is entered on the Pharmaceutical List in respect of the provision of services at more than one place of business, the calculation as at (ii) above shall be made separately in relation to the total of the prices calculated in accordance with (i) above in respect of prescriptions received in respect of the services provided at each place of business.

AND

- (iii) The appropriate fees as set out in Part IIIB

C Drug Store Contractors

Payments to drug store contractors for pharmaceutical services relating to drugs supplied against prescriptions at each separate place of business are made on the same basis as payments to pharmacy contractors set out in Clause 6A (i)(a), plus an on-cost of 10.5% and attract the fee set out in Part IIIA(1) and the container allowances set out in Part IV.

CLAUSE 7 PAYMENTS FOR DRUGS, APPLIANCES AND CHEMICAL REAGENTS

- A The price on which payment is based for a quantity of a drug, appliance or chemical reagent supplied is calculated proportionately from the basic price (see Clause 8 - Basic Price).
- B Subject to the provisions of Clause 10 (Quantity to be supplied) payment will be calculated on the basis that the exact quantity ordered by the prescriber has been supplied.
- C Where a prescription form has been returned to the contractor for endorsement or elucidation and it is returned to the Pricing Authority unendorsed, or incompletely endorsed, or without further explanation, then the price for the drug, appliance or chemical reagent which it orders shall be determined by the Secretary of State for Health and the National Assembly for Wales.
- D If a contractor's overall supply of a product appears to justify payment being based on the cost of a larger size than that normally required pursuant to orders on prescription forms and notice has been given to that effect to the contractor, the basic price will be the price of that larger size, the prescription form being deemed to have been endorsed.

CLAUSE 8 BASIC PRICE

- A The basic price for those drugs, appliances and chemical reagents ordered by a name, or a synonym of that name, included in Parts VIII or IX shall be the price listed in the Drug Tariff.
- B In exceptional circumstances, where, in the opinion of the Secretary of State for Health and the National Assembly of Wales (NAW), there is no product available to contractors at the statutory maximum price listed at www.doh.gov.uk/generics, or, for preparations not so included, at the price in Part VIII, claims for reimbursement for a product with a higher price than that listed may be accepted. Such claims shall be made by endorsement as set out in Clause 9C but only in the circumstances described in that Clause. If the Secretary of State for Health and the NAW are satisfied that the contractor was not able reasonably to obtain the product at a lower price, the basic price shall be the list price, for supplying to contractors, of the product and pack size so used, or such other price as the Secretary of State for Health and the NAW shall determine.
The Secretary of State for Health and the NAW will publish details of any preparations to which this applies and the month(s) in which it applies. The Secretary of State for Health and the NAW may in addition specify the products for which endorsement will be accepted.
- C The basic price for a drug which is not listed in Part VIII of the Tariff shall be the list price, for supplying to contractors, of the pack size to be used for a prescription for that quantity, published by the manufacturer, wholesaler or supplier. In default of any such list price, the price shall be determined by the Secretary of State for Health and the NAW.

**REQUIREMENTS ENABLING PAYMENTS TO BE MADE FOR THE SUPPLY OF DRUGS,
APPLIANCES AND CHEMICAL REAGENTS**

CLAUSE 9 ENDORSEMENT REQUIREMENTS

- A Contractors shall endorse prescription forms for drugs, appliances and chemical reagents listed in this Tariff as required by this Clause and when so required by the provisions of Part II Clauses 10 (Quantity to be Supplied) and 11 (Broken Bulk), Part III (Fees) and Note 2 to Part IXA/B/C (Appliances).
- B Prescriptions for drugs not listed in Part VIII of the Tariff shall be endorsed by the contractor with the pack size from which the order was supplied and, if the order is in pharmacopoeial or 'generic' form, with the brand name or the name of the manufacturer or wholesaler from whom the supply was purchased. Where the preparation is in Part VIII of the Tariff and more than one pack size is listed, contractors shall endorse the pack size from which the order was supplied. Where the preparation is in Part VIII of the Tariff and only one pack size is listed, no endorsement of pack size is necessary. Where additional specific endorsement is necessary contractors shall endorse prescription forms when so required by the provisions of Part II Clauses 10 (Quantity to be Supplied) and 11 (Broken Bulk), Part III (Fees).
- C Where the preparation is in Part VIII of the Tariff and, as described in Clause 8B, in the opinion of the Secretary of State for Health and the NAW there is no product available to contractors at the appropriate price, endorsements of brand name or of manufacturer or wholesaler of the product and pack size so used may be accepted. Contractors shall not so endorse unless they have made all reasonable efforts to obtain the product at the appropriate price but have not succeeded. The endorsement shall be initialled and dated by or on behalf of the contractor, and shall be further endorsed "no cheaper stock obtainable" or "NCSO" to indicate that the contractor has taken all such responsible steps.
- D Where insufficient information is available to enable the Pricing Authority to process the prescription, the form shall be returned to the contractor who shall endorse the prescription form with the information requested.
- E Where a contractor supplies a quantity at variance with that ordered, ie under the provisions set out in Clause 10 (Quantity to be Supplied), the prescription shall be endorsed with the quantity supplied. An exception to this requirement is where a drug is supplied in a Calendar Pack and the quantity ordered differs from that pack. In such cases and in the absence of an endorsement to the contrary, the contractor will be deemed to have supplied the quantity available in the nearest number of packs or sub-packs to that ordered.

CLAUSE 10 QUANTITY TO BE SUPPLIED

- A Subject to the requirements of the Weights and Measures (Equivalents for Dealing with Drugs) Regulation, 1970, with regard to the supply in metric quantities of orders expressed in imperial quantities, payment will normally be calculated on the basis that the exact quantity ordered by the prescriber has been supplied, except only of those preparations referred to in B and C below:
- B Drugs and Chemical Reagents in Special Containers.**
- Where the quantity ordered by the prescriber does not coincide with that of an original pack and the drug or chemical reagent is:
- (i) Sterile
 - (ii) Effervescent or hygroscopic, or
 - (iii) (a) Liquid preparations for addition to bath water
 - (b) Coal Tar preparations
 - (c) Viscous external preparations
 - (iv) Packed in a castor, collapsible tube, drop-bottle, pressurised aerosol, puffer pack, roll-on-bottle, sachet, shaker, spray, squeeze pack, container with an integral means of application, or any other container from which it is not practicable to dispense the exact quantity:

the contractor shall supply in the special container or containers the quantity nearest to that ordered and endorse the prescription form with the number and size of those containers. Although payment will normally be based on the quantity nearest to that ordered, some items are available in a larger size pack or container than that normally required pursuant to orders on prescription forms. Where the amount ordered on a prescription form, or the frequency of supply, justifies supply from such larger size pack or container, payment will be based on the cost of that larger size in the absence of endorsement.

**REQUIREMENTS ENABLING PAYMENTS TO BE MADE FOR THE SUPPLY OF DRUGS,
APPLIANCES AND CHEMICAL REAGENTS**

C Manufacturers' Calendar Packs (including Oral Contraceptives)

- (i) A manufacturer's calendar pack is a blister or strip pack showing the days of the week or month against each of the several units in the pack. Although payment is normally based on the number of packs or sub-packs nearest to the quantity ordered (see Clause 9E (Endorsement Requirements)) there may be occasions when, in the pharmacist's professional opinion, the prescriber's intention is that an exact quantity should be supplied. In such cases the contractor should supply accordingly and endorse the prescription form with the quantity supplied. Payment will then be based on the quantity shown by the endorsement.
- (ii) Payment for a Manufacturer's Calendar Pack or Original Pack will be based on the smallest pack size available when one or a number of such packs are ordered. Some original packs contain more than one monthly cycle and prescriptions ordering three or more such packs will be returned to the contractor for clarification.

* Products included in Clause 10B(iii) are listed on page 13 and 14.

CLAUSE 11 BROKEN BULK

- A This clause applies to drugs, incontinence and stoma appliances in Part IXB and IXC and chemical reagents other than items supplied in special containers covered by Clause 10B.
- B When the quantity ordered on a prescription form is other than the minimum quantity the manufacturer, wholesaler or supplier is prepared to supply and the contractor, having purchased such minimum quantity as may be necessary to supply the quantity ordered cannot readily dispose of the remainder, payment will be made for the whole of the quantity purchased. Subsequent prescriptions, received during the next six months, will be deemed to have been supplied from the remainder and no further payment will be made to drug costs other than fees and container allowances until that remainder has been used up. Thereafter contractors must endorse prescription forms to indicate when a claim for payment is being made.

CLAUSE 12 OUT OF POCKET EXPENSES

Where, in exceptional circumstances, out-of-pocket expenses have been incurred in obtaining a drug, appliance or chemical reagent other than those priced in Part VIII Category A, Part IXA and Part IXR of the Tariff and not required to be frequently supplied by the contractor, or where out-of-pocket expenses have been incurred in obtaining oxygen from a manufacturer, wholesaler or supplier specially for supply against a prescription, payment of the amount by which such expenses on any occasion exceed 10p may be made where the contractor sends a claim giving full particulars to the Pricing Authority with the appropriate prescription form.

CLAUSE 13 DRUG PREPARATIONS REQUIRING RECONSTITUTION FROM GRANULES OR POWDER

- A This clause applies to a drug preparation requiring reconstitution from granules or powder by the contractor and resulting in a liquid of limited stability.
- B When the quantity reconstituted from an original pack or packs is unavoidably greater than the quantity ordered, and it has not been possible for the contractor to use the remainder for or towards supplying against another prescription (see Clause 11 - Broken Bulk) payment, which attracts the standard professional fee (but see also Part IIIA, E), will be calculated from the Basic Price of the preparation and will be based on the nearest pack or number of packs necessary to cover the quantity ordered.

**REQUIREMENTS ENABLING PAYMENTS TO BE MADE FOR THE SUPPLY OF DRUGS,
APPLIANCES AND CHEMICAL REAGENTS**

Zero Discount List A

II

Contractors who have not received discount in respect of the following products need not endorse the prescription "ZD". The prescription price reimbursement will have no discount deduction applied.

Actinac Treatment Pack	Daktacort Cream
Air Cylinders (Medical Grade)	Dalivit Drops
Alkeran Tablets	DaunoXome Infusion (Nexstar)
Alphaparin Injection	DDAVP Injection
Alternative Medicines	DDAVP Intranasal
Ametop Gel	Debrisoquine Tablets (Cambridge Laboratories)
Ammonaps Granules and Tablets (Orphan Europe)	Dentomycin Gel 2%
APO-go Ampoule (Britannia Pharmaceuticals)	Denzapine Tablets 25mg & 100mg
APO-go Pen (Britannia Pharmaceuticals)	Depakote Tablets 500mg
Aranesp Injection (Amgen)	Dermablend Products listed in Drug Tariff*
Ativan Injection 4mg/1ml Ampoule	(Brodie and Stone)
Avonex Injection (dist. Caremark)	Dermacolor Products listed in Drug Tariff*
Benefix	(Charles H Fox)
Betaferon (Schering)	Desferal Injection 500mg
Bismuth Subnitrate and Iodoform Paste	Desmopressin Intranasal Solution BP,
BPC 1954	100 micrograms/ml
Borderline Substance Foods*	Diprivan Injection (Zeneca)
Botox Injection (Allergan)	Drugs available only on a named patient basis
Calciferol Injection	Emtriva Capsules 200mg
300,000u/1ml and 600,000u/2ml	Enbrel (Wyeth)
Calsynar	Eprex (Janssen Cilag)
CAPD Fluids	Ether Solution BP
Carbon Dioxide J-size Cylinders	Fabrazyme Injection (Genzyme)
(L.H. Medical)	Fibro-Vein Injection
Caverject Injection 40 microgram only	Fortovase Capsules
Chloramphenicol Eye Drops BP, 0.5% w/v	Fragmin Injection 12,500iu
Chloromycetin Redidrops 0.5%	Fungizone Intravenous
Choragon Injection (Ferring Pharmaceuticals)	Fungizone Tissue Culture (Bristol-Myers Squibb)
Clomid Tablets (Aventis Pharma)	Gammabulin (Baxter)
Clozaril Tablets	Genotropin
Combivir Tablets	Genotropin Kabivial
Controlled Drugs in schedules 1,2 and 3 of the	Genotropin Miniquick
Misuse of Drugs Regulations 1985	GlucaGen Kit
Copaxone Injection	Glucagon Injection
Covermark Products listed in Drug Tariff*	Granocyte Injection (Aventis Pharma)
(Covermark)	G.T.O. Oil (S.H.S.)
Cuplex Gel	
Cystagon Capsules	
Cytosar Injection (Pharmacia & Upjohn)	

*Part XV

**REQUIREMENTS ENABLING PAYMENTS TO BE MADE FOR THE SUPPLY OF DRUGS,
APPLIANCES AND CHEMICAL REAGENTS**

Zero Discount List A

Contractors who have not received discount in respect of the following products need not endorse the prescription "ZD". The prescription price reimbursement will have no discount deduction applied.

Haemate	Nabilone Capsules 1mg (Cambridge Laboratories)
Healonid Injection (Pharmacia & Upjohn)	Nardil Tablets
Helixate	Natures Own Products
Heminevrin Syrup	NeoRecormon (formerly Recormon)
Hepsera	NeoRecormon with Syringe (formerly Recormon S)
Histoacryl Tissue Adhesive	Neosporin Eye Drops
Homoeopathic Products (including Iscador Injection (Weleda))	Neupogen
Humatrope	Norvir Capsules (Abbott)
Humira Injection	Norvir Oral Solution (Abbott)
Hydrocortisone and Miconazole Cream	Noxyflex-S
Hypostop	One-Alpha Drops
Insulin	One-Alpha Injection
Insulin, Human	Optimax Tablets 500mg
Intron - A Injection (Schering Plough)	Otosporin Ear Drops
Isocarboxazid Tablets	Pancrex Granules
Kaletra Capsules	Pancrex V Capsules
Kaletra Oral Solution	Pancrex V 125 Capsules
Keromask Products listed in Drug Tariff * (Innox)	Pancrex V Enteric Coated Tablets 60mg
Ketovite Liquid	Pancrex V Forte Tablets
Ketovite Tablets	Pancrex V Powder
Kogenate Bayer	Pavulon Injection 4mg/2ml
Latanoprost Eye Drops	Perfan Injection
Leucomax Injection	Pharmorubicin Injection
Leukeran Tablets	Phenelzine Tablets 15mg
Loprazolam Tablets	Phosex Tablets
Lorenzo's Oil (S.H.S.)	Pregnyl Injection
Lysuride Tablets (Cambridge Laboratories)	Prevenar Injection
Made to measure elastic hosiery & trusses	Pro-Epanutin Conc for Injection
Malarone Tablets	Prograf Capsules 0.5mg, 1mg & 5mg (Fujisawa)
Mefenamic Acid Suspension 50mg/5ml	Prograf Concentrate for Infusion Ampoule (Fujisawa)
Menopur Vials	Protopic Ointment (Fujisawa)
Merional Injections	Pulmozyme Nebuliser Solution (Roche)
Meronem Injection (Zeneca)	Puregon Injections
Metvix Cream	Recombinate
Miacalcic Injection	Rebif Injection (Serono)
Minims (all preparations)	Refacto Injections
Monoclate P	Regranex Gel
Mononine	Replenate
Multibionta Solution 10ml Ampoule	Replenine-VF
Muse Transurethral System Stick (Abbott)	Restandol Capsules 40mg
Mustine Hydrochloride Injection 10mg	Reyataz Capsules 100mg, 150mg & 200mg
Mydrilate Solution	Risperdal Consta Injection
Myleran Tablets	Roferon - A Injection (Roche)

*Part XV

**REQUIREMENTS ENABLING PAYMENTS TO BE MADE FOR THE SUPPLY OF DRUGS,
APPLIANCES AND CHEMICAL REAGENTS**

Zero Discount List A

II

Contractors who have not received discount in respect of the following products need not endorse the prescription "ZD". The prescription price reimbursement will have no discount deduction applied.

Salbutamol 200 Cyclocaps (salbutamol 200microgram inhalation powder capsules)	Vaccines
Salbutamol 400 Cyclocaps (salbutamol 400microgram inhalation powder capsules)	Vancomycin Capsules 125mg & 250mg
Sandimmun Concentrate for Infusion (Novartis)	Varidase Combi-pack
Sandimmun Oral Solution (Novartis)	Varidase Topical
Sandoglobulin (Novartis)	Veil Products listed in Drug Tariff* (Thomas Blake)
Sandostatin Injection	Velcade Injection 3.5mg
Sandostatin LAR Injection	Vesanoid Capsules
Saventrine I.V. Injection	Videx EC Capsules 125mg, 200mg, 250mg & 400mg
Scopoderm TTS Patches	Videx Tablets (Bristol-Myers Squibb)
Sebomin MR Capsules 100mg	Viraferon Injection (Schering-Plough)
Simulect Injection	Viramune Tablets
Sodium Bicarbonate Intravenous Infusion BP	Viread Tablets 245mg
Somatuline LA Injection (Ipsen)	Vitamin E Suspension 500mg/5ml (Cambridge Labs)
Somavert Injection 10mg, 15mg & 20mg	Voltarol Ophtha
Sustiva 600 Tablets	Xalatan Eye Drops
Synacthen Ampoule	Xenazine Tablets 25mg
Synacthen Depot Ampoule	Xyloproct Ointment
Synagis Injection 50mg and 100mg	Zenapax Infusions
Synercid Vials	Ziagen Tablets 300mg
Syntometrine Injection	Zomacton Injection (Ferring)
Tacrolimus Capsules 0.5mg, 1mg & 5mg	
Taxotere Infusion	
Tenormin Injection (AstraZeneca)	
Testosterone Enanthate 250mg/1ml Ampoule (Cambridge Laboratories)	
Testosterone Undecanoate Capsules 40mg	
Tetrabenazine Tablets	
Thiotepa Wyeth Lederle Injection	
Thyrogen Injection (Genzyme)	
Timodine Cream	
Tobi	
Total Parenteral Nutrition (TPN)	
Tracleer Tablets 62.5mg	
Tracrium Injection	
Tranylcypromine Tablets 10mg	
Uftoral Capsules (Bristol-Myers Squibb)	

*Part XV

**REQUIREMENTS ENABLING PAYMENTS TO BE MADE FOR THE SUPPLY OF DRUGS,
APPLIANCES AND CHEMICAL REAGENTS**

Zero Discount List B

Contractors who have not received discount in respect of the following products should endorse the prescription "ZD". The prescription price reimbursement will then have no discount deduction applied.

Aramine Injection 10mg/1ml	Methotrexate Tablets, all strengths
Atropine Sulphate Injection P/F Syringe 3mg/10ml	Metrodin High Purity Injection (Serono)
Audicort Drops	Metrozol
Aureomycin Ointment 3%	Miacalcic Nasal Spray (Novartis)
Aveeno Bath Oil, Colloidal Sachets and Cream	Min-I-Jet
Aveeno Lotion	Monoparin Injection
Bondronat Solution for Infusion 2mg/2ml Ampoule	Movicol-Paediatric Plain Powder
Chlormethiazole Oral Solution BP, sugar free 250mg/5ml	Nitrofurantoin Suspension 25mg/5ml
Clexane Injection	Norditropin SimpleXx
Co-danthramer Capsules	Normax Suspension
Co-danthramer Capsules Strong	NutropinAq Solution for Injection 10mg/2ml
Co-danthramer Suspension 25/200 in 5ml	Oxycel Sterilised Gauze Pad
Co-danthramer Suspension Strong 75/1000 in 5ml	Pabrinex I/M Injection
Co-danthrusate Capsules	Paracetamol Suppositories 120mg, 240mg, 500mg
Co-danthrusate Suspension	Phenindione Tablets 10mg, 25mg & 50mg
Cosmofer Injection	Phenylephrine Eye Drops BP, 10% w/v
Crixivan Capsules	Proctosedyl Suppositories
Cyclopentolate Eye Drops BP, 0.5% and 1% w/v	Profasi Injection (Serono)
Cyclosporin Oral Solution	Proleukin Injection
Dacarbazine Injection 100mg & 200mg	Pylobactell Test
De-capeptyl SR	Rapamune Oral Solution
Desferal Injection 2g	Rapamune Sachets
Desmopressin Nasal Spray 10micrograms	Roaccutane Capsules
Desmospray Spray	Saizen Injection 4iu, 10iu, 24iu vials(Serono)
Dexamethasone Injection	Sandimmun Capsules (Novartis)
Dexamethasone Tablets 0.5mg & 2mg	Skin-Cap Preparations (Cheminova)
Diethylstilbestrol Tablets, 1mg	Sodium Chloride Intravenous Infusion BP, 0.9% w/v 100ml
Duac Once Daily Gel	Solivito N Solution
Dysport	Somatuline Autogel (Ipsen)
Epipen	Special formulations
Ergometrine Injection 500 micrograms/1ml	Streptomycin Sulphate Injection
Estracryl Capsules 140mg	Surgicel
Ferriprox Tablets	Sustiva Capsules
Flolan	Telzir Tablets 700mg
Fortum Injection	Tetabulin Injection
Gentamicin Injection 40mg	T-Gel Shampoo
Glandosane Artificial Saliva (Fresenius Kabi)	Triclofos Oral Solution BP
Glivec Capsules 100mg (Novartis)	Trifluoperazine Syrup 5mg/5ml
Gonal-F (Serono)	Ursodeoxycholic Capsules and Tablets
Hepsal Solution 50iu/5ml	Uvistat Ultrablock Cream SPF30 (Eastern Pharms)
Human Normal Immunoglobulin	Velbe Injection
Hyoscine Injection BP, 400 micrograms/1ml Ampoule	Vernagel Sachets
Imigran Radis Tablets 50mg & 100mg	Vigam Liquid (BPL)
Immukin Injection (Boehringer Ingelheim)	Viraferon Peg Injections
Innohep Injection (Leo)	Vitamin A Injection (Cambridge Laboratories)
Isovorin Injection	Vivotif Capsules
Kay Cee L Syrup	Water for Injection 100ml
Ketalar Injection	Xalacom Eye Drops
Ketek Tablets 400mg (Aventis Pharma)	Xylocaine 2% Adrenaline Injection Cartridge
LarvE maggots	Xylocaine Adrenaline Injection Vial
Lignocaine Antiseptic Gel	Xylotox E80 Injection Cartridge
Lignocaine Gel	Zerit Capsules
Linezolid Tablets 600mg	Zyvox Tablets 600mg
Magnesium Sulphate Injection 50%	
Marcain Preparations	
Methotrexate Injection 50mg/2ml	

**REQUIREMENTS ENABLING PAYMENTS TO BE MADE FOR THE SUPPLY OF DRUGS,
APPLIANCES AND CHEMICAL REAGENTS**

PRODUCTS INCLUDED IN CLAUSE 10B(iii)

Products included in Clause 10B(iii) are listed below.

Liquid preparations for external use:

SubPara	Name	Pack(s)
(c)	Alcoderm Lotion	(200ml)
(a)	Alpha Keri Bath Oil	(240ml and 480ml)
(b)	Alphosyl Lotion	(250ml)
(c)	Alphosyl Shampoo 2 in 1	(125ml and 250ml)
(c)	Ascabiol Emulsion	(100ml)
(a)	Aveeno Bath Oil	(250ml)
(c)	Aveeno Lotion	(400ml pump pack)
(a)	Balneum Bath Oil	(200ml, 500ml and 1000ml)
(a)	Balneum Plus Bath Oil 82.95%/15%	(500ml)
(c)	Betadine Shampoo	(250ml)
(b)	Capasal Therapeutic Shampoo	(250ml)
(c)	Ceanel Concentrate	(50ml, 150ml and 500ml)
(a)	Cetraben Bath Oil	(500ml)
(c)	Dentinox Cradle Cap Shampoo	(125ml)
(a)	Dermalo Bath Emollient	(500ml)
(c)	Dermol 200 Shower Emollient	(200ml)
(c)	Dermol 500 Lotion	(500ml pump)
(c)	Dermol 600 Bath Emollient	(600ml)
(a)	Diprobath Emollient	(500ml)
(a)	E45 Bath Oil	(250ml and 500ml)
(c)	E45 Lotion	(250ml and 500ml pump)
(c)	E45 Shower Creme Emollient	(200ml)
(c)	E45 Wash	(250ml)
(a)	Eurax Dermatological Bath Oil	(200ml)
(a)	Emmolate Bath Oil	(200ml)
(a)	Emulsiderm Emollient	(300ml and 1 litre)
(a)	Epaderm Emollient	(125g)
(b)	Exorex Lotion	(100ml and 250ml)
(b)	Gelcosal Gel	(50g)
(b)	Gelcotar Gel	(50g and 500g)
(b)	Gelcotar Liquid	(150ml and 350ml)
(a)	Hydromol Emollient	(150ml, 350ml and 1 litre)
(c)	Keri Therapeutic Lotion	(190ml and 380ml pump packs)
(a)	Imuderm Therapeutic Oil	(250ml)
(a)	Infaderm Therapeutic Oil	(250ml)
(c)	Lacticare Lotion	(150ml)
(c)	Meted Shampoo	(120ml)

**REQUIREMENTS ENABLING PAYMENTS TO BE MADE FOR THE SUPPLY OF DRUGS,
APPLIANCES AND CHEMICAL REAGENTS**

Products included in Clause 10B(iii) are listed below.

Liquid preparations for external use:

SubPara	Name	Pack(s)
(a)	Oilatum Bath Formula	(150ml and 300ml)
(a)	Oilatum Emollient	(250ml and 500ml)
(a)	Oilatum Emollient, Fragrance Free	(500ml)
(a)	Oilatum Junior Bath Formula	(150ml and 300ml)
(a)	Oilatum Junior Flare-Up Bath Treatment	(150ml)
(a)	Oilatum Plus Emollient	(500ml and 1 litre)
(b)	Pentrax Shampoo	(120ml)
(b)	Polytar AF Liquid	(150ml)
(b)	Polytar Emollient	(350ml and 500ml)
(b)	Polytar Liquid	(150ml and 250ml)
(b)	Polytar Plus (Scalp Cleanser)	(350ml and 500ml)
(b)	Pragmatar Cream	(25g and 100g)
(b)	Psorin Ointment	(50g and 100g)
(b)	Psoriderm Bath Emulsion	(200ml)
(b)	Psoriderm Cream	(225ml)
(b)	Psoriderm Scalp Lotion Shampoo	(250ml)
(c)	Quellada-M Cream Shampoo	(40g)
(a)	Quellada-M Liquid (Aqueous)	(50ml and 200ml)
(c)	Quinoderm Lotion-Gel 5%	(30ml)
(c)	Selsun Suspension	(50ml, 100ml and 150ml)
(a)	Ster-Zac Bath Concentrate	(28.5ml)
(b)	T-Gel Shampoo	(125ml and 250ml)
(b)	T-Gel Shampoo Anti-Dandruff	(125ml and 250ml)

PROFESSIONAL FEES (PHARMACY CONTRACTORS)**See Part II, Clause 6A (ii) (page 5)**

	Fee per prescription p	*Endorsements required by contractors
1. ALL PRESCRIPTIONS (except the Special Fee at 3.) attract a Professional Fee with a value of:	94.60	NIL
2. ADDITIONAL FEES:		
A. PREPARATIONS WHEN EXTEMPORANEOUSLY DISPENSED <i>AND ENDORSED</i>		
(a) "Extemporaneously dispensed"		
(i) Unit dosage forms, eg cachets, capsules, pills, lozenges, pastilles, pessaries, powders	256 per 10 or part thereof	"Extemporaneously dispensed"
(ii) Liquids being 'special formula preparations' e.g. mixtures, lotions, nasal drops (not including dilutions)	155	"Extemporaneously dispensed"
(iii) Liquid preparations prepared by straight forward dilution (not including reconstitution)	85	"Extemporaneously dispensed"
(iv) Special formula powders	155	"Extemporaneously dispensed"
(v) Ointments, creams, pastes being 'special formula preparations' (not including dilutions)	310	"Extemporaneously dispensed"
(vi) Ointments, creams, pastes prepared by dilution or admixture of standard or proprietary ointments, creams and pastes	155	"Extemporaneously dispensed"
(b) "Aseptically dispensed"		
Preparations when aseptically dispensed (excluding proprietary preparations)		
(i) Unit dosage forms, e.g. injections	1277 per 10 or part thereof	"Aseptically dispensed"
(ii) Non-unit dosage forms, e.g. Eye Drops	767	"Aseptically dispensed"
(c) "Extemporaneously sterilised"		
Liquids, semi-solids, solids prepared with a BP sterilization process	767	"Extemporaneously sterilised"
B. APPLIANCES AND DRESSINGS		
(a) Elastic Hosiery (Compression Hosiery) requiring measurement and endorsed "measured and fitted"	128	"Measured and fitted"

IIIA

* See page 17

PROFESSIONAL FEES (PHARMACY CONTRACTORS)

	Fee per prescription p	*Endorsements required by contractors
(b) (i) Trusses requiring measurement and endorsed "measured and fitted"	197	"Measured and fitted"
(ii) Repairs to Trusses	69	NIL
(c) Stoma Appliances, Suprapubic Belts, Incontinence Appliances		
(i) Replacement of complete appliance and/or	} 128	NIL
(ii) One or more types of spare parts and accessories		
C. BULK PRESCRIPTIONS for schools or institutions supplied in accordance with the Regulations. See Part VIII, note 9 (page 36)	644	NIL
D. Where liquid preparations extemporaneously dispensed other than at 2A(b) and 2A(c) above are ordered by the prescriber to be supplied in more than one container, each extra quantity ordered	128	NIL
E. Where a preparation which requires the addition of a vehicle/diluent by the pharmacy contractor results in a liquid of stability of less than 14 days, and for pharmaceutical reasons necessitates supply in more than one container and the prescription form is endorsed with the number of extra quantities supplied, for each extra supply	155	Number of extra containers supplied
F. Where the prescription is for a Controlled Drug in Schedule 2 or 3 of the Misuse of Drugs Regulations 1985 and is endorsed "CD" by the contractor		
Schedule 2 drug	128	"CD"
Schedule 3 drug (from 1 Jan 1997) (including Temazepam)	43	"CD"

* See page 17

PROFESSIONAL FEES (PHARMACY CONTRACTORS)

- G. When the prescription has been dispensed at a time when the premises are not open for dispensing on the day or (in the case of a prescription dispensed after midnight) the day following that on which it was written and

*Endorsements
required by contractors

IIIA

FEE PER CALL-OUT

	Resident p	Non-Resident † p	
(i) Is endorsed "urgent" by the prescriber and dispensed between the time the premises close for dispensing and 11 pm on days other than Sundays and public holidays	713	1756	Time and date. Where appropriate "non-resident"
(ii) Is endorsed "urgent" by the prescriber or "dispensed urgently" by the contractor and is signed by the patient (or his representative) and dispensed between 11 pm and the time the premises open for dispensing or on Sundays and public holidays	920	2118	Time and date. Where appropriate "non-resident" Where appropriate "dispensed urgently" (signature of patient or representative required)

Urgent fees are not payable for prescriptions dispensed after the normal working hours agreed between the contractor and the PCT for England and LHB for Wales before the actual closing of the pharmacy and the contractor still being present.

ALL "URGENT" PRESCRIPTIONS MUST BE ENDORSED WITH THE TIME AND DATE OF DISPENSING

- † In order to qualify for the non-resident rates, a contractor who normally lives elsewhere than on his business premises will need to have left those premises and to return to open them to dispense an "urgent" prescription. In the absence of an endorsement "non-resident" on "urgent" prescription forms, payments will automatically be made at the "resident" rate.

- * Abbreviated endorsements, eg "Extemp prep" are acceptable. Endorsements under this heading apply only to claims for the appropriate professional fee. Further endorsement may be necessary for other purposes eg Part II Clause 8 (Basic Price), Clause 9 (Endorsement Requirements) and Notes to Part VIII (page 35).

H. Expensive Prescription Fee

A fee equivalent to 2% of the net ingredient cost will be payable on all prescriptions over £100.

Note - Expensive Prescription Fee is not included in calculation of ESPS payments

	Fees per prescription p	*Endorsements required by contractors
3. SPECIAL FEE (ie not paid in addition to professional fee) <u>Appliances</u> not covered by 2B (including Elastic Hosiery and Trusses not measured and fitted) <u>and</u> <u>Dressings</u>	85	NIL

PROFESSIONAL FEES (PHARMACY CONTRACTORS)

This Page is Intentionally Blank

SCALE OF FEES (APPLIANCE CONTRACTORS)

See Part II, Clause 6B(iii) (page 6)

			Fee per prescription p
1. APPLIANCES			
ELASTIC HOSIERY (Compression Hosiery)			
	Anklets, Kneecaps, Leggings		13
	Below-knee, Above-knee and Thigh Stockings		18
TRUSSES			
	Spring	Single	50
		Double	78
	Elastic Band	Single	23
		Double	30
	Repairs		5
2. OTHER APPLIANCES			2



SCALE OF FEES (APPLIANCE CONTRACTORS)

This Page is Intentionally Blank

CONTAINERS

See Part II Clause 6A (iii) and 6C (pages 5 and 6)

1. A Pharmacy Contractor shall supply in a **suitable container** any drug which he is required to supply under Part II of Schedule 2 to the Regulations.
Capsules, tablets, pills, pulvules etc shall be supplied in airtight containers of glass, aluminium or rigid plastics; card containers may be used only for foil/strip packed tablets etc.
For ointments, creams, pastes, card containers shall not be used
Eye, ear and nasal drops shall be supplied in dropper bottles, or with a separate dropper where appropriate.
2. **Payment for containers** is at the average rate of **3.24p** per prescription for every prescription (except a "Bulk" or oxygen prescription) supplied by contractors whether or not a container is supplied.
This payment includes provision for supply of a **5ml plastic measuring spoon** which shall comply with BS 3221:Part 6:1993 and shall be made with every oral liquid medicine except where the manufacturer's pack includes one. However, when the prescribed dose is not 5ml or whole multiples of 5ml, and the pack does not already contain a suitable measuring device, a 5ml plastics oral syringe measure, wrapped together with a bottle adaptor and instruction leaflet, shall be supplied. This shall comply with BS 3221: Part 7: 1993, or an equivalent European Standard.
In very exceptional circumstances, or where specifically requested by the prescriber dilution may still take place. The prescription should be endorsed accordingly.
3. Payment for containers is payable to pharmacy contractors and drug store contractors only.

IV

CONTAINERS

This Page is Intentionally Blank

DEDUCTION SCALE (PHARMACY CONTRACTORS)**(Revised with effect from 1st September 2003)****See Part II Clause 6A(i) (b) (page 5)**

Monthly Total of Prices £		Deduction Rate %	Monthly Total of Prices £		Deduction Rate %	Monthly Total of Prices £		Deduction Rate %
From	To		From	To		From	To	
1	125	5.93	5626	5750	6.95	11251	11375	7.97
126	250	5.95	5751	5875	6.97	11376	11500	7.99
251	375	5.98	5876	6000	6.99	11501	11625	8.01
376	500	6.00	6001	6125	7.02	11626	11750	8.04
501	625	6.02	6126	6250	7.04	11751	11875	8.06
626	750	6.04	6251	6375	7.06	11876	12000	8.08
751	875	6.07	6376	6500	7.09	12001	12125	8.10
876	1000	6.09	6501	6625	7.11	12126	12250	8.13
1001	1125	6.11	6626	6750	7.13	12251	12375	8.15
1126	1250	6.13	6751	6875	7.15	12376	12500	8.17
1251	1375	6.16	6876	7000	7.18	12501	12625	8.19
1376	1500	6.18	7001	7125	7.20	12626	12750	8.22
1501	1625	6.20	7126	7250	7.22	12751	12875	8.24
1626	1750	6.22	7251	7375	7.24	12876	13000	8.26
1751	1875	6.25	7376	7500	7.27	13001	13125	8.29
1876	2000	6.27	7501	7625	7.29	13126	13250	8.31
2001	2125	6.29	7626	7750	7.31	13251	13375	8.33
2126	2250	6.32	7751	7875	7.33	13376	13500	8.35
2251	2375	6.34	7876	8000	7.36	13501	13625	8.38
2376	2500	6.36	8001	8125	7.38	13626	13750	8.40
2501	2625	6.38	8126	8250	7.40	13751	13875	8.42
2626	2750	6.41	8251	8375	7.42	13876	14000	8.44
2751	2875	6.43	8376	8500	7.45	14001	14125	8.47
2876	3000	6.45	8501	8625	7.47	14126	14250	8.49
3001	3125	6.47	8626	8750	7.49	14251	14375	8.51
3126	3250	6.50	8751	8875	7.52	14376	14500	8.53
3251	3375	6.52	8876	9000	7.54	14501	14625	8.56
3376	3500	6.54	9001	9125	7.56	14626	14750	8.58
3501	3625	6.56	9126	9250	7.58	14751	14875	8.60
3626	3750	6.59	9251	9375	7.61	14876	15000	8.63
3751	3875	6.61	9376	9500	7.63	15001	15125	8.65
3876	4000	6.63	9501	9625	7.65	15126	15250	8.67
4001	4125	6.65	9626	9750	7.67	15251	15375	8.69
4126	4250	6.68	9751	9875	7.70	15376	15500	8.72
4251	4375	6.70	9876	10000	7.72	15501	15625	8.74
4376	4500	6.72	10001	10125	7.74	15626	15750	8.76
4501	4625	6.75	10126	10250	7.76	15751	15875	8.78
4626	4750	6.77	10251	10375	7.79	15876	16000	8.81
4751	4875	6.79	10376	10500	7.81	16001	16125	8.83
4876	5000	6.81	10501	10625	7.83	16126	16250	8.85
5001	5125	6.84	10626	10750	7.86	16251	16375	8.87
5126	5250	6.86	10751	10875	7.88	16376	16500	8.90
5251	5375	6.88	10876	11000	7.90	16501	16625	8.92
5376	5500	6.90	11001	11125	7.92	16626	16750	8.94
5501	5625	6.93	11126	11250	7.95	16751	16875	8.96

V

DEDUCTION SCALE (PHARMACY CONTRACTORS)

Monthly Total of Prices £		Deduction Rate %	Monthly Total of Prices £		Deduction Rate %	Monthly Total of Prices £		Deduction Rate %
From	To		From	To		From	To	
16876	17000	8.99	23001	23125	10.10	40501	41000	10.60
17001	17125	9.01	23126	23375	10.12	41001	41750	10.61
17126	17250	9.03	23376	23625	10.13	41751	42250	10.62
17251	17375	9.06	23626	24000	10.14	42251	43000	10.63
17376	17500	9.08	24001	24250	10.15	43001	43750	10.64
17501	17625	9.10	24251	24625	10.16	43751	44250	10.65
17626	17750	9.12	24626	24875	10.17	44251	45000	10.66
17751	17875	9.15	24876	25250	10.18	45001	45500	10.67
17876	18000	9.17	25251	25500	10.19	45501	46250	10.68
18001	18125	9.19	25501	25875	10.20	46251	46750	10.69
18126	18250	9.21	25876	26125	10.21	46751	47500	10.70
18251	18375	9.24	26126	26375	10.22	47501	48250	10.71
18376	18500	9.26	26376	26750	10.23	48251	48750	10.72
18501	18625	9.28	26751	27000	10.24	48751	49500	10.73
18626	18750	9.30	27001	27375	10.25	49501	50000	10.74
18751	18875	9.33	27376	27625	10.26	50001	50750	10.75
18876	19000	9.35	27626	28000	10.27	50751	51250	10.76
19001	19125	9.37	28001	28250	10.28	51251	52000	10.77
19126	19250	9.40	28251	28625	10.29	52001	52750	10.78
19251	19375	9.42	28626	28875	10.30	52751	53250	10.79
19376	19500	9.44	28876	29250	10.31	53251	54000	10.80
19501	19625	9.46	29251	29500	10.32	54001	54500	10.81
19626	19750	9.49	29501	29875	10.33	54501	55250	10.82
19751	19875	9.51	29876	30125	10.34	55251	55750	10.83
19876	20000	9.53	30126	30500	10.35	55751	56500	10.84
20001	20125	9.55	30501	30750	10.36	56501	57250	10.85
20126	20250	9.58	30751	31125	10.37	57251	57750	10.86
20251	20375	9.60	31126	31375	10.38	57751	58500	10.87
20376	20500	9.62	31376	31750	10.39	58501	59000	10.88
20501	20625	9.64	31751	32000	10.40	59001	59750	10.89
20626	20750	9.67	32001	32375	10.41	59751	60250	10.90
20751	20875	9.69	32376	32625	10.42	60251	61000	10.91
20876	21000	9.71	32626	32875	10.43	61001	61750	10.92
21001	21125	9.73	32876	33250	10.44	61751	62250	10.93
21126	21250	9.76	33251	33500	10.45	62251	63000	10.94
21251	21375	9.78	33501	33875	10.46	63001	63500	10.95
21376	21500	9.80	33876	34125	10.47	63501	64250	10.96
21501	21625	9.83	34126	34500	10.48	64251	64750	10.97
21626	21750	9.85	34501	34750	10.49	64751	65500	10.98
21751	21875	9.87	34751	35125	10.50	65501	66250	10.99
21876	22000	9.89	35126	35375	10.51	66251	66750	11.00
22001	22125	9.92	35376	36000	10.52	66751	67500	11.01
22126	22250	9.94	36001	36500	10.53	67501	68000	11.02
22251	22375	9.96	36501	37250	10.54	68001	68750	11.03
22376	22500	9.98	37251	37750	10.55	68751	69250	11.04
22501	22625	10.01	37751	38500	10.56	69251	70000	11.05
22626	22750	10.03	38501	39250	10.57	70001	70750	11.06
22751	22875	10.05	39251	39750	10.58	70751	71250	11.07
22876	23000	10.07	39751	40500	10.59	71251	72000	11.08

DEDUCTION SCALE (PHARMACY CONTRACTORS)

Monthly Total of Prices £		Deduction Rate %	Monthly Total of Prices £		Deduction Rate %	Monthly Total of Prices £		Deduction Rate %
From	To		From	To		From	To	
72001	72500	11.09	101501	102000	11.58	127001	127500	12.07
72501	73250	11.10	102001	102750	11.59	127501	128000	12.08
73251	73750	11.11	102751	103250	11.60	128001	128500	12.09
73751	74500	11.12	103251	103750	11.61	128501	129000	12.10
74501	75250	11.13	103751	104250	11.62	129001	129500	12.11
75251	75750	11.14	104251	104750	11.63	129501	130000	12.12
75751	76500	11.15	104751	105250	11.64	130001	130500	12.13
76501	77000	11.16	105251	105750	11.65	130501	131000	12.14
77001	77750	11.17	105751	106250	11.66	131001	131500	12.15
77751	78250	11.18	106251	106750	11.67	131501	132000	12.16
78251	79000	11.19	106751	107250	11.68	132001	132500	12.17
79001	79750	11.20	107251	107750	11.69	132501	133000	12.18
79751	80250	11.21	107751	108250	11.70	133001	133500	12.19
80251	81000	11.22	108251	108750	11.71	133501	134000	12.20
81001	81500	11.23	108751	109250	11.72	134001	134750	12.21
81501	82250	11.24	109251	109750	11.73	134751	135250	12.22
82251	82750	11.25	109751	110500	11.74	135251	135750	12.23
82751	83500	11.26	110501	111000	11.75	135751	136250	12.24
83501	84250	11.27	111001	111500	11.76	136251	136750	12.25
84251	84750	11.28	111501	112000	11.77	136751	137250	12.26
84751	85500	11.29	112001	112500	11.78	137251	137750	12.27
85501	86000	11.30	112501	113000	11.79	137751	138250	12.28
86001	86750	11.31	113001	113500	11.80	138251	138750	12.29
86751	87250	11.32	113501	114000	11.81	138751	139250	12.30
87251	88000	11.33	114001	114500	11.82	139251	139750	12.31
88001	88750	11.34	114501	115000	11.83	139751	140250	12.32
88751	89250	11.35	115001	115500	11.84	140251	140750	12.33
89251	90000	11.36	115501	116000	11.85	140751	141250	12.34
90001	90500	11.37	116001	116500	11.86	141251	141750	12.35
90501	91250	11.38	116501	117000	11.87	141751	142500	12.36
91251	91750	11.39	117001	117500	11.88	142501	143000	12.37
91751	92500	11.40	117501	118000	11.89	143001	143500	12.38
92501	93250	11.41	118001	118750	11.90	143501	144000	12.39
93251	93750	11.42	118751	119250	11.91	144001	144500	12.40
93751	94500	11.43	119251	119750	11.92	144501	145000	12.41
94501	95000	11.44	119751	120250	11.93	145001	145500	12.42
95001	95500	11.45	120251	120750	11.94	145501	146000	12.43
95501	96000	11.46	120751	121250	11.95	146001	146500	12.44
96001	96500	11.47	121251	121750	11.96	146501	147000	12.45
96501	97000	11.48	121751	122250	11.97	147001	147500	12.46
97001	97500	11.49	122251	122750	11.98	147501	148000	12.47
97501	98000	11.50	122751	123250	11.99	148001	148500	12.48
98001	98500	11.51	123251	123750	12.00	148501	149000	12.49
98501	99000	11.52	123751	124250	12.01	149001	149500	12.50
99001	99500	11.53	124251	124750	12.02	149501	150000	12.51
99501	100000	11.54	124751	125250	12.03	150001	& above	12.52
100001	100500	11.55	125251	125750	12.04			
100501	101000	11.56	125751	126500	12.05			
101001	101500	11.57	126501	127000	12.06			

v

DEDUCTION SCALE (PHARMACY CONTRACTORS)

This Page is Intentionally Blank

PAYMENT FOR ADDITIONAL PROFESSIONAL SERVICES

1. Contractors who have had passed for payment by the Pricing Authority between 1,100 and 1,600 prescriptions in the relevant month will, subject to 1.1 - 1.3 below, receive a payment for March 2004 only rising from £1,000 at 1,100 prescriptions to £2,645 at 1,600 prescriptions. The rate of £2,645 applies to all contractors who have had passed for payment 1,600 or more prescriptions in the relevant month.

For the months after March 2004, until further notice the payment of £1,000 mentioned above will be reduced to £775 (at 1,100 prescriptions), and the payment of £2,645 mentioned above will be reduced to £1,500 (at 1,600 or more prescriptions).

The following additional conditions must be satisfied:

- 1.1 the pharmacy must produce a practice leaflet;
 - 1.2 the pharmacy must display up to a maximum of eight health promotion leaflets. Contractors may display additional health promotion material if they wish, but are not required to do so to receive payment;
 - 1.3 the contractor must, subject to the provisions of Part XIVB, keep patient medication records.
2. With reference to note 1 above, contractors will be eligible for a payment for each month in which no payment was made between April 2003 and March 2004. For the months of April 2003 to February 2004 (inclusive) these payments will be £755 per month. For March 2004 only the payment will be £1,000. However, these payments will be made provided that the following conditions are met:
 - 2.1 the relevant number of prescriptions was passed for pricing in the period as a whole;
 - 2.2 the other criteria for the professional allowance has been met throughout the period (see 1.1 - 1.3 above);
 - 2.3 prescriptions have been regularly submitted to the Pricing Authority each month and the Pricing Authority has made no abatement;
 - 2.4 the contractor has been open throughout the period for which the claim has been made.
 3. Contractors should make a claim for top up payments to their PCT for England and LHB for Wales by 30 November 2004. They should submit copies of FP34 statements for the relevant period (April 2003 to March 2004) as evidence of the total number of prescriptions passed for pricing during this period.

Note 1: Contractors in receipt of ESPS payments are not eligible for top up professional allowance payments at the end of the year. Non-payment of the professional allowance in a particular month will have been taken into account in calculating the level of ESPS subsidy due.

Note 2: An additional payment of £19 in respect of an increase in premises retention fees shall be made with March 2004 prescriptions to those contractors who do not in that month receive either Additional Professional Allowance or Essential Small Pharmacy Scheme Payments.

VIA

PAYMENT FOR ADDITIONAL PROFESSIONAL SERVICES

This Page is Intentionally Blank

SCALE OF ON-COST ALLOWANCES (APPLIANCE CONTRACTORS)

See Part II Clause 6B(ii) (page 5)

Number of prescriptions dispensed during month		On-cost %	Number of prescriptions dispensed during month		On-cost %
From	To		From	To	
1	505	25.0	1036	1048	20.3
506	515	24.9	1049	1062	20.2
516	526	24.8	1063	1076	20.1
527	537	24.7	1077	1090	20.0
538	549	24.6	1091	1105	19.9
550	561	24.5	1106	1120	19.8
562	574	24.4	1121	1136	19.7
575	588	24.3	1137	1152	19.6
589	602	24.2	1153	1169	19.5
603	617	24.1	1170	1186	19.4
618	632	24.0	1187	1203	19.3
633	649	23.9	1204	1221	19.2
650	666	23.8	1222	1240	19.1
667	684	23.7	1241	1259	19.0
685	704	23.6	1260	1279	18.9
705	724	23.5	1280	1300	18.8
725	746	23.4	1301	1321	18.7
747	756	23.3	1322	1342	18.6
757	762	23.2	1343	1365	18.5
763	770	23.1	1366	1388	18.4
771	777	23.0	1389	1413	18.3
778	785	22.9	1414	1438	18.2
786	792	22.8	1439	1463	18.1
793	800	22.7	1464	1490	18.0
801	808	22.6	1491	1518	17.9
809	816	22.5	1519	1547	17.8
817	824	22.4	1548	1577	17.7
825	833	22.3	1578	1608	17.6
834	841	22.2	1609	1641	17.5
842	850	22.1	1642	1675	17.4
851	859	22.0	1676	1710	17.3
860	868	21.9	1711	1747	17.2
869	878	21.8	1748	1785	17.1
879	887	21.7	1786	1825	17.0
888	897	21.6	1826	1867	16.9
898	907	21.5	1868	1911	16.8
908	918	21.4	1912	1957	16.7
919	928	21.3	1958	2006	16.6
929	939	21.2	2007	2056	16.5
940	950	21.1	2057	2110	16.4
951	961	21.0	2111	2166	16.3
962	973	20.9	2167	2226	16.2
974	984	20.8	2227	2288	16.1
985	996	20.7	2289	2355	16.0
997	1009	20.6	2356	2425	15.9
1010	1022	20.5	2426	2500	15.8
1023	1035	20.4			

VIB

SCALE OF ON-COST ALLOWANCES (APPLIANCE CONTRACTORS)

This Page is Intentionally Blank

REPEAT DISPENSING FEES

In addition to the professional fee payable under Part IIIA for each item dispensed, contractors who are repeat dispensing chemists will receive the following payments:

1. Start-up fees: a one-off fee of £150.
2. Monthly payment: for each month that a contractor provides repeat dispensing services he will receive a payment of £100.

Prescriptions dispensed in accordance with repeatable prescriptions will be taken into account when considering payment for additional services and payments for the essential small pharmacy scheme.

The Primary Care Trust shall notify the Prescription Pricing Authority of those contractors on its pharmaceutical list who are repeat dispensing chemists, and payment will be made by the Prescription Pricing Authority on behalf of the Primary Care Trust.

VIC

REPEAT DISPENSING FEES

This Page is Intentionally Blank

DRUGS WITH COMMON PACK**LIST OF DRUGS WITH A COMMONLY USED PACK SIZE**

See Part II, Clause 7D (page 6)

If a drug specified in this list is supplied but the relative prescription form is not endorsed payment will be calculated on the basis of the price for the pack size listed

Drug	Common Pack	
Anusol suppositories	24	
Azathioprine 50mg tablets	100	
Benadryl Allergy Relief 8mg capsules	24	
Brufen 400mg tablets	250	
Capoten 25mg tablets	56	
Ceporex 250mg capsules	100	
Ceporex 500mg capsules	100	
Ceporex 250mg tablets	100	
Ceporex 500mg tablets	100	
Co-codamol 8/500 tablets	500	
Co-dydramol 10/500 tablets	500	
Deltacortril Enteric 2.5mg tablets	100	
Deltacortril Enteric 5mg tablets	100	
Dexamethasone 2mg tablets	500	
Dexomon 75mg SR tablets	56	
Diclofenac sodium 25mg gastro-resistant tablets	84	
Diclofenac sodium 50mg gastro-resistant tablets	84	
Diclovol 75mg SR tablets	28	
Dihydrocodeine 30mg tablets	500	
Dipyridamole 25mg tablets	100	
Elantan 10 tablets	84	
Elantan 20 tablets	84	
Galpseud 30mg/5ml linctus	2	litre
Galpseud 60mg tablets	100	
Gaviscon, Liquid aniseed	500	ml
Gaviscon, Liquid peppermint	500	ml
Imodium 2mg capsules	250	
Imodium Plus chewable tablets	18	
Keflex 250mg capsules	100	
Keflex 500mg capsules	100	
Keflex 250mg tablets	100	
Keflex 500mg tablets	100	
Kolanticon gel	500	ml
Lasix 40mg tablets	28	
Metformin 850mg tablets	300	
Metoprolol 50mg tablets	100	
Metoprolol 100mg tablets	100	

VII

DRUGS WITH COMMON PACK

Drug	Common Pack	
Natrilix 2.5mg tablets	60	
Nicef 250mg capsules	100	
Nicef 500mg capsules	100	
Nicorette Original, Mint 2mg gum	105	
Nicorette Mint 4mg gum	105	
Nicorette Microtab 2mg sublingual tablets	105	
Nicotinell Fruit, Liquorice, Mint 2mg gum	96	
Nicotinell Fruit, Liquorice, Mint 4mg gum	96	
Nicotinell 1mg lozenges	96	
Nicotinell 2mg lozenges	96	
Nicotinell TTS20 patches	7	
Nicotinell TTS30 patches	21	
Nifedipine 5mg capsules	100	
NiQuitin CQ 21mg patches	14	
NiQuitin CQ Clear 21mg patches	14	
NovoNorm 500microgram tablets	90	
NovoNorm 1mg tablets	90	
Nurofen for Children 100mg/5ml suspension	150	ml
Oxybutynin 5mg tablets	56	
Penbritin 250mg capsules	100	
Praxilene capsules	500	
Prednisolone 2.5mg gastro-resistant tablets	100	
Prednisolone 5mg gastro-resistant tablets	100	
Proflavine 0.1% cream	500	ml
Prothiaden 25mg capsules	100	
Provera 100mg tablets	100	
Senokot 7.5mg/5ml syrup	500	ml
Stugeron 15mg tablets	100	
Sudafed, Non-Drowsy 30mg/5ml elixir	1	litre
Sudafed, Non-Drowsy 60mg tablets	100	
Trandate 100mg tablets	250	
Trandate 200mg tablets	250	
Velosef 250mg capsules	100	
Velosef 500mg capsules	100	

BASIC PRICES OF DRUGS**BASIC PRICE OF DRUGS
COVERED BY PART II CLAUSE 8A**

The price listed in respect of a drug specified in the following list is the basic price (see Part II, Clause 8) on which payment will be calculated pursuant to Part II Clause 6A for the dispensing of that drug

1. All drugs listed in this Part have a pack size and price which has been determined by the Secretary of State for Health as respects England and the National Assembly for Wales as respects Wales.
2. Categories A,B,C and E of the drugs (appearing in Col.4) are as under:
 - 2.1 Category A - Drugs which are readily available. Endorsement of pack size is required if more than one pack size is listed. Broken Bulk may be claimed if necessary.
 - 2.2 Category B - Drugs whose usage has declined over time. No endorsement is required other than a claim for Broken Bulk if necessary.
 - 2.3 Category C - Priced on the basis of a particular brand or particular manufacturer. Endorsement of pack size is required if more than one pack is listed. Broken Bulk may be claimed if necessary.
 - 2.4 Category E - Extemporaneously prepared items for which the fee listed under Part III A(a)(ii), (iii), (iv) or (v) will be claimed. No endorsement is required. Broken Bulk is not allowed, but may be paid on the ingredients.
3. Recommended International Non-proprietary Names

With effect from 1 December 2003 drugs will be listed in this Part by their recommended International Non-proprietary Name (rINN), with the exception of Adrenaline and Noradrenaline (which will be listed by their BAN). Where such products are ordered by the former BAN, reimbursement will be made whether the manufacturer of those products is using the former BAN or the rINN to name them. Where prices are calculated for Category A products such prices will be included in the calculation whether they are listed by suppliers as a former BAN or as a rINN.
4. NHS Dictionary of Medicines and Devices (NHS DM&D)

The drugs listed in this Part will reflect the naming convention used in the NHS dictionary of medicines and devices. Where such products are ordered by another naming convention, reimbursement will be made using the Part VIII dm+d naming convention. Where prices are calculated for Category A products such prices will be included in the calculation whether they are listed by suppliers using the NHS dm+d naming convention or as other naming conventions.

Products are displayed as Name, strength, modification (when present), presentation and 'freeness' (when present e.g. sugar free, gluten free).

E.g. Aciclovir 400mg/5ml oral suspension sugar free.

A salt will only be displayed if more than one clinically significant salt exists in that presentation.

E.g. Calcium carbonate and Calcium gluconate.

Please note that the NHS dm&d uses the Pharmedica List of Standard Terms 2002 e.g. gastro-resistant is used to describe enteric coated.
5. Symbols

The following symbols are used in Part VIII

 - ◆ Calendar Pack
 - Special Container
 - Item requiring reconstitution
 - ★ Common pack
 - § Selected List Scheme (SLS)

VIII

BASIC PRICES OF DRUGS

6. Methylated Spirit
- Industrial Methylated Spirit should be supplied or used and payment will be calculated accordingly, where:
- 6.1 "Methylated Spirit", "Spirit", "Spt. Vini. Meth.", "SVM", "IMS", is ordered alone or as an ingredient of a preparation for external use, or
- 6.2 A liniment, lotion, etc., in the preparation of which Methylated Spirit is permitted, is ordered and the prescriber has not indicated to the contrary.
7. Rectified Spirit
- 7.1 Where Alcohol (96%), or Rectified Spirit (Ethanol 90%), or any other of the dilute Ethanol is prescribed alone or as an ingredient in a medicament for external application, payment will be made for supply of Industrial Methylated Spirit unless the prescriber has indicated that no alternative may be used.
- 7.2 Where Alcohol (96%), or Rectified Spirit (Ethanol 90%), or any other of the dilute Ethanol is prescribed as an ingredient of a medicine for internal use, the price of the duty paid to Customs and Excise will be allowed, unless the contractor endorses the prescription form "rebate claimed".
8. Purified Water
(Exclusive of ordinary potable water)
- Payment for Purified Water will be made:
- 8.1 where it is ordered;
- 8.2 where the water is included in any preparation intended for application to the eye;
- 8.3 where, in the opinion of the pharmacist the use of ordinary potable water in a particular preparation would result in an undesirable change in the medicament prescribed and he endorses the prescription form accordingly;
- 8.4 where the PCT for England and LHB for Wales, after consultation with the Local Medical Committee and Local Pharmaceutical Committee, has decided with the approval of the Secretary of State for Health as respects England and the National Assembly for Wales as respects Wales that the water ordinarily available is unsuitable for dispensing purposes, and has notified the contractor accordingly.
- When Purified Water is used instead of potable water, it should be freshly boiled and cooled.
9. A "Bulk" prescription is an order for two or more patients, bearing the name of a school or institution in which at least 20 persons normally reside, for the treatment of at least 10 of whom a particular doctor is responsible. Such a prescription must be an order for a drug which is prescribable under the NHS and which is not designated a "Prescription Only Medicine" (POM) under Section 58(1) of the Medicines Act 1968, or for a prescribable dressing which does not contain a product which is designated POM.

BASIC PRICES OF DRUGS

Drug	Quantity	Basic Price	Category	
Acacia	250 g	675	C	<i>Loveridge</i>
Acarbose 100mg tablets	90	1251	C	<i>Glucobay 100</i>
Acarbose 50mg tablets	90	968	C	<i>Glucobay 50</i>
Acebutolol 100mg capsules	84	1610	C	<i>Sectral</i>
Acebutolol 200mg capsules	56	2063	C	<i>Sectral 200</i>
Acebutolol 400mg tablets	◆	28	2002	C <i>Sectral 400</i>
Aceclofenac 100mg tablets	60	1035	C	<i>Preservex</i>
Acemetacin 60mg capsules	90	2350	C	<i>Emflex</i>
Acenocoumarol 1mg tablets	100	474	C	<i>Sinthrome</i>
Acetazolamide 250mg modified-release capsules	◆	28	1155	C <i>Diamox SR</i>
Acetazolamide 250mg tablets	112	1268	C	<i>Diamox</i>
Acetic acid 33% liquid	500 ml	230	C	<i>Unichem</i>
Acetone	500 ml	186	A	
Acetylcysteine 5% eye drops	■	10 ml	463	C <i>Ilube</i>
Aciclovir 200mg dispersible tablets	25	515	▽ A	
Aciclovir 200mg tablets	25	402	△ A	
Aciclovir 200mg/5ml oral suspension sugar free	125 ml	3178	C	<i>Zovirax</i>
Aciclovir 3% eye ointment	■	4.5 g	1067	C <i>Zovirax</i>
Aciclovir 400mg dispersible tablets	◆	56	2030	▽ A
Aciclovir 400mg tablets	56	731	A	
Aciclovir 400mg/5ml oral suspension sugar free	100 ml	3551	C	<i>Zovirax Chickenpox Treatment</i>
Aciclovir 5% cream	■	2 g	301	A
	■	10 g	861	▽ A
Aciclovir 800mg dispersible tablets	35	2085	▽ A	
Adapalene 0.1% cream	■	45 g	1140	C <i>Differin</i>
Adapalene 0.1% gel	■	45 g	1140	C <i>Differin</i>
Adrenaline acid tartrate 1 in 1,000 injection 0.5ml ampoules	10	510	A	
Adrenaline acid tartrate 1 in 1,000 injection 1ml ampoules	10	421	A	
Alclometasone 0.05% cream	■	50 g	282	C <i>Modrasone</i>
Alclometasone 0.05% ointment	■	50 g	282	C <i>Modrasone</i>
Alendronic acid 10mg tablets	◆	28	2312	C <i>Fosamax</i>
Alendronic acid 5mg tablets	◆	28	2543	C <i>Fosamax</i>
Alendronic acid 70mg tablets	■	4	2451	C <i>Fosamax Once Weekly</i>
Alfacalcidol 1microgram capsules	■	30	1002	A
Alfacalcidol 250nanogram capsules	■	30	330	A
Alfacalcidol 500nanogram capsules	■	30	669	A
Alfuzosin 10mg modified-release tablets	30	2380	C	<i>Xatral XL</i>
Alfuzosin 2.5mg tablets	60	2280	C	<i>Xatral</i>
Alimemazine 10mg tablets	28	324	C	<i>Vallergan</i>
Alimemazine 30mg/5ml oral solution	100 ml	572	C	<i>Vallergan Forte Syrup</i>

BASIC PRICES OF DRUGS

Drug	Quantity	Basic Price	Category
Alimemazine 7.5mg/5ml oral solution	100 ml	370	C <i>Vallergan Syrup</i>
Allopurinol 100mg tablets	28	91	A
Allopurinol 300mg tablets	28	217	A
Almond oil	500 ml	455	△ A
§ Alprostadil 10microgram injection vials and diluent	■ 1	924	C <i>Caverject</i>
§ Alprostadil 20microgram injection vials and diluent	■ 1	1194	C <i>Caverject</i>
§ Alprostadil 40microgram injection vials and diluent	■ 1	2158	C <i>Caverject</i>
§ Alprostadil 5microgram injection vials and diluent	■ 1	773	C <i>Caverject</i>
Alum	500 g	230	C <i>Unichem</i>
Alverine 120mg capsules	60	1484	C <i>Spasmonal Forte</i>
Alverine 60mg capsules	100	1285	C <i>Spasmonal</i>
Amantadine 100mg capsules	56	1688	C <i>Symmetrel</i>
Amantadine 50mg/5ml oral solution	■ 150 ml	555	C <i>Symmetrel Syrup</i>
Amaranth solution	500 ml	450	C <i>Loveridge</i>
Amiloride 2.5mg / Cyclopentiazide 250microgram tablets	◆ 28	225	C <i>Navispare</i>
Amiloride 5mg / Bumetanide 1mg tablets	◆ 28	283	C <i>Burinex A</i>
Amiloride 5mg tablets	28	139	▽ A
Aminoglutethimide 250mg tablets	56	2427	C <i>Orimeten</i>
Aminophylline 25mg/ml injection 10ml ampoules	10	685	A
Amiodarone 100mg tablets	◆ 28	428	A
Amiodarone 200mg tablets	◆ 28	647	A
Amisulpride 100mg tablets	60	3948	C <i>Solian 100</i>
Amisulpride 200mg tablets	60	6600	C <i>Solian 200</i>
Amisulpride 400mg tablets	60	13200	C <i>Solian 400</i>
Amisulpride 50mg tablets	60	1974	C <i>Solian 50</i>
Amitriptyline 10mg tablets	28	78	A
Amitriptyline 25mg tablets	28	81	A
Amitriptyline 25mg/5ml oral solution sugar free	150 ml	1240	A
Amitriptyline 50mg tablets	28	120	A
Amitriptyline 50mg/5ml oral solution sugar free	150 ml	1350	A
Amlodipine 10mg tablets	◆ 28	1233	▽ A
Amlodipine 5mg tablets	◆ 28	870	▽ A
Ammonia and Ipecacuanha mixture	500 ml	182	▽ A
Ammonia solution aromatic	500 ml	400	A
Ammonium acetate solution strong	500 ml	366	C <i>AAH</i>
Ammonium bicarbonate	500 g	230	C <i>Loveridge</i>
Ammonium chloride	500 g	330	C <i>Loveridge</i>
Ammonium chloride mixture	200 ml	40	E
Amorolfine 0.25% cream	■ 20 g	483	C <i>Loceryl</i>
Amorolfine 5% paint	■ 5 ml	2500	C <i>Loceryl Lacquer</i>

BASIC PRICES OF DRUGS

Drug	Quantity	Basic Price	Category
Amoxicillin 125mg/1.25ml oral suspension paediatric	● 20 ml	363	C <i>Amoxil</i>
Amoxicillin 125mg/5ml oral suspension	● 100 ml	115	A
Amoxicillin 125mg/5ml oral suspension sugar free	● 100 ml	130	A
Amoxicillin 1g injection vials	10	1252	C <i>Amoxil</i>
Amoxicillin 250mg capsules	21	125	A
Amoxicillin 250mg injection vials	10	344	C <i>Amoxil</i>
Amoxicillin 250mg/5ml oral suspension	● 100 ml	180	A
Amoxicillin 250mg/5ml oral suspension sugar free	● 100 ml	225	A
Amoxicillin 3g oral powder sachets sugar free	2	469	A
Amoxicillin 500mg capsules	21	185	A
	100	516	△ A
Amoxicillin 500mg injection vials	10	626	C <i>Amoxil</i>
Amphotericin 100mg tablets	56	832	C <i>Fungilin</i>
Amphotericin 100mg/ml oral suspension sugar free	■ 12 ml	231	C <i>Fungilin</i>
Amphotericin 10mg lozenges	60	395	C <i>Fungilin</i>
Ampicillin 125mg/5ml oral suspension	● 100 ml	175	A
Ampicillin 250mg capsules	28	181	A
	500	1559	A
Ampicillin 250mg/5ml oral suspension	● 100 ml	325	A
Ampicillin 500mg capsules	28	359	A
	250	1285	A
Anastrozole 1mg tablets	◆ 28	8316	C <i>Arimidex</i>
Anise oil	100 ml	525	C <i>Loveridge</i>
Anise water concentrated	100 ml	715	A
§ Apomorphine 2mg sublingual tablets	2	1067	C <i>Uprima</i>
§ Apomorphine 3mg sublingual tablets	4	2328	C <i>Uprima</i>
Aqueous calamine cream	100 ml	59	A
Aqueous cream	500 g	106	A
Arachis oil	200 ml	149	▽ A
Arachis oil 130ml enema	■ 130 ml	102	C <i>Fletchers</i>
Ascorbic acid	100 g	370	C <i>Loveridge</i>
Ascorbic acid 100mg tablets	28	123	A
	100	90	A
Ascorbic acid 200mg tablets	28	126	A
	100	112	A
Ascorbic acid 500mg tablets	28	121	A
	100	199	A
Ascorbic acid 50mg tablets	28	118	A
Aspirin	250 g	550	C <i>Loveridge</i>

VIII

BASIC PRICES OF DRUGS

Drug	Quantity	Basic Price	Category
Aspirin 300mg dispersible tablets	32	20	A
	100	112	A
Aspirin 300mg gastro-resistant tablets	100	489	C <i>Caprin</i>
Aspirin 300mg tablets	32	31	A
Aspirin 75mg dispersible tablets	28	37	A
	100	64	▽ A
Aspirin 75mg gastro-resistant tablets	28	138	A
	◆	56	305 A
Aspirin 75mg tablets	28	94	C <i>Angettes 75</i>
Atenolol 100mg tablets	◆	28	91 A
Atenolol 25mg tablets	◆	28	62 ▽ A
Atenolol 25mg/5ml oral solution sugar free	300 ml	855	C <i>Tenormin Syrup</i>
Atenolol 50mg tablets	◆	28	73 ▽ A
Atorvastatin 10mg tablets	◆	28	1803 C <i>Lipitor</i>
Atorvastatin 20mg tablets	◆	28	2969 C <i>Lipitor</i>
Atorvastatin 40mg tablets	◆	28	2969 C <i>Lipitor</i>
Atorvastatin 80mg tablets	◆	28	2969 C <i>Lipitor</i>
Atropine 1% eye drops	■	10 ml	91 ▽ A
Atropine 1% eye ointment	■	3 g	292 A
Atropine 600microgram tablets	28	660	A
Atropine 600micrograms/ml injection 1ml ampoules	10	496	A
Auranofin 3mg tablets	60	2710	C <i>Ridaura</i>
Azapropazone 300mg capsules	100	1550	C <i>Rheumox</i>
Azathioprine 25mg tablets	28	927	A
	100	3068	▽ A
Azathioprine 50mg tablets	◆	56	997 A
	★	100	1446 ▽ A
Azelaic acid 20% cream	■	30 g	440 C <i>Skinoren</i>
Azelastine 140micrograms/actuation nasal spray	■	22 ml	1192 C <i>Rhinolast</i>
Azithromycin 200mg/5ml oral suspension	●	15 ml	508 C <i>Zithromax</i>
	●	22.5 ml	762 C <i>Zithromax</i>
	●	30 ml	1380 C <i>Zithromax</i>
Azithromycin 250mg capsules	4	895	C <i>Zithromax</i>
	6	1343	C <i>Zithromax</i>
Baclofen 10mg tablets	84	303	A
	100	273	A
Baclofen 5mg/5ml oral solution sugar free	300 ml	895	C <i>Lioresal Liquid</i>
Balsalazide 750mg capsules	130	3900	C <i>Colazide</i>
Bambuterol 10mg tablets	28	1205	C <i>Bambec</i>
Bambuterol 20mg tablets	28	1314	C <i>Bambec</i>

BASIC PRICES OF DRUGS

Drug	Quantity	Basic Price	Category
Beclometasone 100microgram inhalation powder capsules	120	817	C <i>Beclometasone 100 Cyclocaps</i>
Beclometasone 100micrograms/ actuation breath actuated inhaler	■ 200 dose	824	C
Beclometasone 100micrograms/ actuation breath actuated inhaler CFC free	■ 200 dose	1721	C <i>Qvar Autohaler</i>
Beclometasone 100micrograms/ actuation inhaler	■ 200 dose	824	A
Beclometasone 100micrograms/ actuation inhaler CFC free	■ 200 dose	1721	C <i>Qvar</i>
Beclometasone 200microgram inhalation powder capsules	120	1550	C <i>Beclometasone 200 Cyclocaps</i>
Beclometasone 200micrograms/ actuation inhaler	■ 200 dose	1961	C <i>Becotide 200</i>
Beclometasone 250micrograms/ actuation breath actuated inhaler	■ 200 dose	1802	C
Beclometasone 250micrograms/ actuation inhaler	■ 200 dose	1790	A
Beclometasone 400microgram inhalation powder capsules	120	2945	C <i>Beclometasone 400 Cyclocaps</i>
Beclometasone 50micrograms/ actuation breath actuated inhaler	■ 200 dose	434	C
Beclometasone 50micrograms/ actuation breath actuated inhaler CFC free	■ 200 dose	787	C <i>Qvar Autohaler</i>
Beclometasone 50micrograms/ actuation inhaler	■ 200 dose	431	A
Beclometasone 50micrograms/ actuation inhaler CFC free	■ 200 dose	787	C <i>Qvar</i>
Beclometasone 50micrograms/ actuation nasal spray	■ 200 dose	338	A
Beeswax white	500 g	745	C <i>Loveridge</i>
Beeswax yellow	500 g	1140	C <i>Loveridge</i>
Bendroflumethiazide 2.5mg tablets	28	74	A
Bendroflumethiazide 5mg tablets	28	73	A
Benperidol 250microgram tablets	112	10400	C <i>Benquil</i>
Benzoic acid compound ointment	500 g	335	▽ A
Benzoin compound tincture	500 ml	490	C <i>Thornton & Ross</i>
Benzoin tincture	500 ml	510	C <i>Loveridge</i>
Benzoyl peroxide 10% gel	■ 40 g	207	C <i>Panoxyl Aquagel 10</i>
Benzoyl peroxide 2.5% gel	■ 40 g	176	C <i>Panoxyl Aquagel 2.5</i>
Benzoyl peroxide 5% gel	■ 40 g	192	C <i>Panoxyl Aquagel 5</i>
Benzylamine 0.15% mouthwash	■ 300 ml	431	C <i>Diffiam</i>
Benzylamine 0.15% oromucosal spray	■ 30 ml	341	C <i>Diffiam</i>
Benzylamine 3% cream	■ 35 g	283	C <i>Diffiam</i>
	■ 100 g	735	C <i>Diffiam</i>
Benzyl benzoate	500 g	365	C <i>Loveridge</i>
Benzyl benzoate 25% application	500 ml	247	A

VIII

BASIC PRICES OF DRUGS

Drug	Quantity	Basic Price	Category	
Benzylpenicillin 1.2g injection vials	25	2164	C	<i>Crystapen</i>
Benzylpenicillin 600mg injection vials	25	1082	C	<i>Crystapen</i>
Betahistine 16mg tablets	◆ 84	1358	△ A	
Betahistine 8mg tablets	84	252	▽ A	
	120	624	▽ A	
Betamethasone 0.1% ear/eye/nose drops	■ 10 ml	258	C	<i>Betnesol</i>
Betamethasone dipropionate 0.05% / Calcipotriol 0.005% ointment	■ 60 g	3500	C	<i>Dovobet</i>
Betamethasone valerate 0.025% cream	■ 100 g	359	C	<i>Betnovate-RD</i>
Betamethasone valerate 0.025% ointment	■ 100 g	359	C	<i>Betnovate-RD</i>
Betamethasone valerate 0.1% cream	■ 30 g	154	C	<i>Betnovate</i>
	■ 100 g	435	C	<i>Betnovate</i>
Betamethasone valerate 0.1% ointment	■ 30 g	168	A	
	■ 100 g	435	C	<i>Betnovate</i>
Betamethasone valerate 0.1% scalp application	■ 100 ml	422	C	<i>Betacap</i>
Betaxolol 0.25% modified-release eye drops	■ 5 ml	477	C	<i>Betoptic Susp</i>
Betaxolol 0.5% eye drops	■ 5 ml	381	C	<i>Betoptic Ophthalmic Solution</i>
Bezafibrate 200mg tablets	100	981	A	
Bezafibrate 400mg modified-release tablets	30	870	C	
Bicalutamide 150mg tablets	◆ 28	24000	C	<i>Casodex</i>
Bicalutamide 50mg tablets	◆ 28	12800	C	<i>Casodex</i>
Bisacodyl 10mg suppositories	12	77	A	
Bisacodyl 5mg gastro-resistant tablets	1000	2950	A	
Bisacodyl 5mg suppositories	5	94	C	<i>Dulcolax</i>
Bismuth subcarbonate	250 g	1450	C	<i>Loveridge</i>
Bisoprolol 1.25mg tablets	◆ 28	856	C	<i>Cardicor</i>
Bisoprolol 10mg tablets	28	679	▽ A	
Bisoprolol 2.5mg tablets	◆ 28	856	C	<i>Cardicor</i>
Bisoprolol 5mg tablets	28	582	▽ A	
Black currant syrup	500 ml	650	C	<i>Loveridge</i>
Boric acid	500 g	275	C	<i>Loveridge</i>
Brimonidine 0.2% eye drops	■ 5 ml	1031	C	<i>Alphagan</i>
Brinzolamide 10mg/ml eye drops	■ 5 ml	717	C	<i>Azopt</i>
Bromocriptine 10mg capsules	100	6950	C	<i>Parlodel</i>
Bromocriptine 1mg tablets	100	990	C	<i>Parlodel</i>
Bromocriptine 2.5mg tablets	30	508	△ A	
Bromocriptine 5mg capsules	100	3757	C	<i>Parlodel</i>
Brompheniramine 2mg/5ml oral solution	200 ml	156	C	<i>Dimotane Elixir</i>

BASIC PRICES OF DRUGS

Drug	Quantity	Basic Price	Category
Budesonide 100micrograms/ actuation dry powder inhaler	■ 200 dose	1850	C <i>Pulmicort Turbohaler 100</i>
Budesonide 200micrograms/ actuation dry powder inhaler	■ 100 dose	1850	C <i>Pulmicort Turbohaler 200</i>
Budesonide 200micrograms/ actuation inhaler	■ 200 dose	2090	C <i>Pulmicort</i>
Budesonide 400micrograms/ actuation dry powder inhaler	■ 50 dose	1850	C <i>Pulmicort Turbohaler 400</i>
Budesonide 50micrograms/ actuation inhaler	■ 200 dose	733	C <i>Pulmicort LS</i>
Budesonide 64micrograms/ actuation nasal spray	■ 120 dose	449	C <i>Rhinocort Aqua 64</i>
Bumetanide 1mg tablets	◆ 28	172	A
Bumetanide 1mg/5ml oral solution sugar free	150 ml	1522	A
Bumetanide 500microgram / Potassium 7.7mmol modified- release tablets	28	112	C <i>Burinex K</i>
Bumetanide 5mg tablets	◆ 28	1115	△ A
Buprenorphine 200microgram sublingual tablets	50	573	C <i>Temgesic</i>
Buprenorphine 400microgram sublingual tablets	7	160	C <i>Subutex</i>
Bupropion 150mg modified-release tablets	50 60	1146 4285	C <i>Temgesic</i> C <i>Zyban</i>
Buspirone 10mg tablets	30	1068	▽ A
Buspirone 5mg tablets	100 30	3770 842	A A
Cabergoline 1mg tablets	■ 20	8300	C <i>Cabaser</i>
Cabergoline 2mg tablets	■ 20	8300	C <i>Cabaser</i>
Cabergoline 500microgram tablets	■ 8	3004	C <i>Dostinex</i>
Cade oil	100 ml	660	C <i>Unichem</i>
Calamine	500 g	330	C <i>Loveridge</i>
Calamine lotion	2 litre	626	A
Calamine oily lotion	500 ml	395	A
Calcipotriol 50micrograms/g cream	■ 60 g	1366	C <i>Dovonex</i>
Calcipotriol 50micrograms/g ointment	■ 120 g	2732	C <i>Dovonex</i>
Calcipotriol 50micrograms/g ointment	■ 60 g	1366	C <i>Dovonex</i>
Calcipotriol 50micrograms/ml scalp solution	■ 120 g ■ 60 ml	2732 2021	C <i>Dovonex</i> C <i>Dovonex</i>
Calcium and Ergocalciferol tablets	28	70	A
Calcium carbonate	500 g	215	C <i>Loveridge</i>
Calcium carbonate 1.25g chewable tablets	100	933	C <i>Calcichew</i>
Calcium carbonate 2.5g chewable tablets	60	1316	C <i>Calcichew Forte</i>

BASIC PRICES OF DRUGS

Drug	Quantity	Basic Price	Category
Calcium gluconate 1g effervescent tablets	■ 28	462	A
Calcium lactate 300mg tablets	84	261	A
Camphor	100 g	275	C <i>Loveridge</i>
Camphor water concentrated	100 ml	285	C <i>Unichem</i>
Camphorated opium tincture	500 ml	295	A
Candesartan 16mg tablets	◆ 28	1378	C <i>Amias</i>
Candesartan 2mg tablets	◆ 7	299	C <i>Amias</i>
Candesartan 4mg tablets	◆ 7	324	C <i>Amias</i>
	◆ 28	883	C <i>Amias</i>
Candesartan 8mg tablets	◆ 28	1072	C <i>Amias</i>
Capsaicin 0.025% cream	■ 45 g	1504	C <i>Zacin</i>
Capsicum tincture	500 ml	359	A
Captopril 12.5mg tablets	56	205	▽ A
Captopril 25mg tablets	◆ 56	292	▽ A
Captopril 50mg tablets	◆ 56	376	▽ A
Carbamazepine 100mg tablets	28	137	A
	84	243	C <i>Tegretol</i>
Carbamazepine 100mg/5ml oral suspension sugar free	300 ml	686	C <i>Tegretol Liquid</i>
Carbamazepine 200mg modified-release tablets	56	526	C <i>Tegretol Retard</i>
Carbamazepine 200mg tablets	28	167	A
	84	450	C <i>Tegretol</i>
Carbamazepine 400mg modified-release tablets	56	1034	C <i>Tegretol Retard</i>
Carbamazepine 400mg tablets	28	441	△ A
	56	590	C <i>Tegretol</i>
Carbaryl 0.5% alcoholic lotion	■ 50 ml	228	C <i>Carylderm</i>
Carbaryl 1% aqueous liquid	■ 50 ml	228	C <i>Carylderm</i>
Carbimazole 20mg tablets	100	1593	C <i>Neo-Mercazole 20</i>
Carbimazole 5mg tablets	100	429	C <i>Neo-Mercazole 5</i>
Carbocisteine 125mg/5ml oral solution	300 ml	491	C <i>Mucodyne Syrup</i>
Carbocisteine 250mg/5ml oral solution	300 ml	628	C <i>Mucodyne Syrup</i>
Carbocisteine 375mg capsules	30	448	C <i>Mucodyne</i>
Carbomer 980 0.2% eye drops	■ 10 g	280	C <i>GelTears Ophthalmic Gel</i>
Cardamom compound tincture	500 ml	510	C <i>Loveridge</i>
Carmellose Gelatin Paste	■ 30 g	194	C <i>Orabase</i>
	■ 100 g	432	C <i>Orabase</i>
Carteolol 1% eye drops	■ 5 ml	460	C <i>Teoptic</i>
Carteolol 2% eye drops	■ 5 ml	540	C <i>Teoptic</i>
Carvedilol 12.5mg tablets	◆ 28	933	▽ A
Carvedilol 25mg tablets	◆ 28	1149	▽ A
Carvedilol 3.125mg tablets	◆ 28	727	▽ A
Carvedilol 6.25mg tablets	◆ 28	835	▽ A
Castor oil	500 ml	430	C <i>Loveridge</i>

BASIC PRICES OF DRUGS

Drug	Quantity	Basic Price	Category
Cefaclor 125mg/5ml oral suspension	● 100 ml	438	A
Cefaclor 125mg/5ml oral suspension sugar free	● 100 ml	273	▽ A
Cefaclor 250mg capsules	21	613	▽ A
Cefaclor 250mg/5ml oral suspension	● 100 ml	980	A
Cefaclor 250mg/5ml oral suspension sugar free	● 100 ml	443	▽ A
Cefaclor 375mg modified-release tablets	14	693	C
Cefaclor 500mg capsules	50	2495	A
Cefadroxil 125mg/5ml oral suspension	● 60 ml	175	C <i>Baxan</i>
Cefadroxil 250mg/5ml oral suspension	● 60 ml	348	C <i>Baxan</i>
Cefadroxil 500mg capsules	20	564	C <i>Baxan</i>
Cefadroxil 500mg/5ml oral suspension	● 60 ml	521	C <i>Baxan</i>
Cefalexin 125mg/5ml oral suspension	● 100 ml	133	A
Cefalexin 250mg capsules	28	249	A
	100	935	A
Cefalexin 250mg tablets	28	259	A
	100	950	A
Cefalexin 250mg/5ml oral suspension	● 100 ml	224	A
Cefalexin 500mg capsules	21	374	△ A
	100	1934	A
Cefalexin 500mg tablets	21	378	A
	100	1822	A
Cefalexin 500mg/5ml oral suspension	● 100 ml	619	C <i>Ceporex Syrup</i>
Cefixime 200mg tablets	7	1323	C <i>Suprax</i>
Cefotaxime 1g injection vials	10	4632	C <i>Claforan</i>
Cefotaxime 2g injection vials	10	9218	C <i>Claforan</i>
Cefotaxime 500mg injection vials	10	2304	C <i>Claforan</i>
Cefpodoxime 100mg tablets	10	1018	C <i>Orelox</i>
Cefradine 250mg capsules	20	348	A
	100	1706	A
Cefradine 250mg/5ml oral solution	● 100 ml	422	C <i>Velosef Syrup</i>
Cefradine 500mg capsules	20	690	A
	100	3368	▽ A
Ceftriaxone 1g injection vials	■ 1	1094	C <i>Rocephin</i>
Ceftriaxone 250mg injection vials	■ 1	274	C <i>Rocephin</i>
Ceftriaxone 2g injection vials	■ 1	2189	C <i>Rocephin</i>
Cefuroxime 125mg tablets	14	520	C <i>Zinnat</i>
Cefuroxime 250mg tablets	14	1040	C <i>Zinnat</i>
Celecoxib 100mg capsules	60	2155	C <i>Celebrex</i>
Celecoxib 200mg capsules	30	2155	C <i>Celebrex</i>
Celiprolol 200mg tablets	◆ 28	1354	▽ A

VIII

BASIC PRICES OF DRUGS

Drug	Quantity	Basic Price	Category
Celiprolol 400mg tablets	◆ 28	3218	▽ A
Cetirizine 10mg tablets	30	568	▽ A
Cetirizine 1mg/ml oral solution sugar free	200 ml	1050	C <i>Zirtek</i>
Cetomacrogol cream (Formula A)	500 g	255	A
Chalk	1 kg	220	C <i>Loveridge</i>
Chloral 500mg/5ml mixture	200 ml	96	E
Chloral hydrate	100 g	450	C <i>Loveridge</i>
Chloramphenicol 0.5% eye drops	■ 10 ml	123	A
Chloramphenicol 1% eye ointment	■ 4 g	104	A
Chloramphenicol 250mg capsules	60	2074	A
Chloramphenicol 5% ear drops	■ 10 ml	140	A
Chlordiazepoxide 10mg capsules	500	2871	A
Chlordiazepoxide 10mg tablets	100	546	C <i>Tropium</i>
Chlordiazepoxide 5mg capsules	500	2066	A
Chlordiazepoxide 5mg tablets	100	393	C <i>Tropium</i>
Chlorhexidine 0.2% oral spray	■ 60 ml	410	C <i>Corsodyl</i>
Chlorhexidine 1% dental gel	■ 50 g	121	C <i>Corsodyl</i>
Chlorhexidine gluconate 0.2% mouthwash	300 ml	180	△ A
Chloroform and Morphine tincture	500 ml	518	△ A
Chloroform spirit	500 ml	248	C <i>Unichem</i>
Chloroform water concentrated	500 ml	215	C <i>Loveridge</i>
Chloroquine phosphate 250mg tablets	20	122	C <i>Avloclor</i>
Chloroquine sulphate 200mg tablets	28	216	C <i>Nivaquine</i>
Chlorphenamine 10mg/ml injection 1ml ampoules	5	810	A
Chlorphenamine 2mg/5ml oral solution	150 ml	228	C <i>Piriton Syrup</i>
Chlorphenamine 2mg/5ml oral solution sugar free	150 ml	225	A
Chlorphenamine 4mg tablets	28	43	A
Chlorpromazine 100mg tablets	28	116	A
Chlorpromazine 10mg tablets	56	71	C <i>Largactil</i>
Chlorpromazine 25mg tablets	28	96	A
Chlorpromazine 25mg/5ml oral solution	150 ml	135	A
Chlorpromazine 50mg tablets	28	95	A
Chlortalidone 50mg tablets	28	168	C <i>Hygroton</i>
Choline salicylate 8.7% oromucosal gel sugar free	■ 15 g	179	C <i>Bonjela</i>
Ciclosporin 100mg capsules	30	7633	C <i>Neoral</i>
Ciclosporin 100mg/ml oral solution sugar free	■ 50 ml	11438	C <i>Neoral</i>
Ciclosporin 25mg capsules	30	2054	C <i>Neoral</i>
Ciclosporin 50mg capsules	30	4022	C <i>Neoral</i>
Cimetidine 200mg tablets	60	275	A
Cimetidine 200mg/5ml oral solution	600 ml	2849	C <i>Tagamet Syrup</i>
Cimetidine 200mg/5ml oral solution sugar free	300 ml	1424	A

BASIC PRICES OF DRUGS

Drug	Quantity	Basic Price	Category
Cimetidine 200mg/5ml oral suspension sugar free	600 ml	2408	C <i>Dyspamet</i>
Cimetidine 400mg tablets	◆ 60	558	A
Cimetidine 800mg tablets	◆ 30	573	A
Cinnarizine 15mg tablets	84	458	A
Ciprofibrate 100mg tablets	28	1472	C <i>Modalim</i>
Ciprofloxacin 0.3% eye drops	■ 5 ml	494	C <i>Ciloxan</i>
Ciprofloxacin 100mg tablets	6	257	A
Ciprofloxacin 250mg tablets	10	594	▽ A
	20	1074	▽ A
Ciprofloxacin 250mg/5ml oral suspension	● 100 ml	1500	C <i>Ciproxin</i>
Ciprofloxacin 500mg tablets	10	1148	▽ A
	20	2381	A
Ciprofloxacin 750mg tablets	10	1745	A
Citalopram 10mg tablets	◆ 28	888	▽ A
Citalopram 20mg tablets	◆ 28	1507	▽ A
Citalopram 40mg tablets	◆ 28	2504	▽ A
Citric acid monohydrate	500 g	290	C <i>Thornton & Ross</i>
Clarithromycin 125mg/5ml oral suspension	● 70 ml	600	C <i>Klaricid</i>
	● 100 ml	1032	C <i>Klaricid</i>
Clarithromycin 250mg tablets	◆ 14	1176	C <i>Klaricid</i>
Clarithromycin 250mg/5ml oral suspension	● 70 ml	1200	C <i>Klaricid</i>
Clarithromycin 500mg modified-release tablets	◆ 7	1065	C <i>Klaricid XL</i>
	◆ 14	2130	C <i>Klaricid XL</i>
Clarithromycin 500mg tablets	◆ 14	2355	C <i>Klaricid 500</i>
	◆ 20	3364	C <i>Klaricid 500</i>
Clemastine 1mg tablets	60	235	C <i>Tavegil</i>
Clindamycin 1% alcoholic solution	■ 30 ml	434	C <i>Dalacin T Topical Soln</i>
Clindamycin 1% aqueous lotion	■ 30 ml	508	C <i>Dalacin T Topical Lotion</i>
	■ 50 ml	847	C <i>Dalacin T Topical Lotion</i>
Clindamycin 150mg capsules	24	1372	A
Clindamycin 2% vaginal cream	■ 40 g	1086	C <i>Dalacin</i>
Clindamycin 75mg capsules	24	745	C <i>Dalacin C</i>
Clioquinol 3% / Betamethasone valerate 0.1% cream	■ 30 g	189	C <i>Betnovate-C</i>
Clioquinol 3% / Betamethasone valerate 0.1% ointment	■ 30 g	189	C <i>Betnovate-C</i>
§ Clobazam 10mg tablets	30	1047	△ C <i>Frisium</i>
Clobetasol 0.05% cream	■ 30 g	308	C <i>Dermovate</i>
	■ 100 g	902	C <i>Dermovate</i>
Clobetasol 0.05% ointment	■ 30 g	308	C <i>Dermovate</i>
	■ 100 g	902	C <i>Dermovate</i>
Clobetasol 0.05% scalp application	■ 30 ml	351	C <i>Dermovate</i>
	■ 100 ml	1189	C <i>Dermovate</i>

VIII

BASIC PRICES OF DRUGS

Drug	Quantity	Basic Price	Category
Clobetasone 0.05% cream	■ 30 g	212	C <i>Eumovate</i>
	■ 100 g	620	C <i>Eumovate</i>
Clobetasone 0.05% ointment	■ 30 g	212	C <i>Eumovate</i>
	■ 100 g	620	C <i>Eumovate</i>
Clomethiazole 192mg capsules	60	478	C <i>Heminevrin</i>
Clomethiazole 250mg/5ml oral solution sugar free	300 ml	400	C <i>Heminevrin Syrup</i>
Clomifene 50mg tablets	30	1125	A
Clomipramine 10mg capsules	◆ 28	123	A
Clomipramine 25mg capsules	◆ 28	194	A
	100	460	A
Clomipramine 50mg capsules	◆ 28	242	A
Clomipramine 75mg modified-release tablets	28	883	C <i>Anafranil SR</i>
Clonazepam 2mg tablets	100	562	C <i>Rivotril</i>
Clonazepam 500microgram tablets	100	422	C <i>Rivotril</i>
Clonidine 100microgram tablets	100	560	C <i>Catapres</i>
Clonidine 25microgram tablets	112	711	A
Clonidine 300microgram tablets	100	1304	C <i>Catapres</i>
Clopidogrel 75mg tablets	◆ 28	3531	C <i>Plavix</i>
Cloral betaine 707mg tablets	30	243	C <i>Welldorm</i>
Clotrimazole 1% / Hydrocortisone 1% cream	■ 30 g	238	C <i>Canesten HC</i>
Clotrimazole 1% cream	■ 20 g	176	A
	■ 50 g	380	C <i>Canesten</i>
Clotrimazole 10% vaginal cream	■ 5 g	450	C <i>Canesten VC</i>
Clotrimazole 100mg pessaries	■ 6	362	C <i>Canesten</i>
Clotrimazole 200mg pessaries	■ 3	389	C <i>Canesten</i>
Clotrimazole 500mg pessaries	■ 1	343	A
Clove oil	50 ml	220	A
Coal tar solution	500 ml	463	A
Coal tar solution strong	500 ml	615	A
Co-amilofruse 10/80 tablets	◆ 28	743	A
Co-amilofruse 2.5/20 tablets	◆ 28	440	△ A
	◆ 56	601	△ A
Co-amilofruse 5/40 tablets	◆ 28	258	A
	◆ 56	471	A
Co-amilozide 2.5/25 tablets	◆ 28	185	A
Co-amilozide 5/50 tablets	28	200	▽ A
Co-amoxiclav 125/31 oral suspension sugar free	● 100 ml	457	A
Co-amoxiclav 250/125 dispersible tablets	21	1099	C <i>Augmentin Dispersible</i>
Co-amoxiclav 250/125 tablets	21	977	△ A
	100	4720	A
Co-amoxiclav 250/62 oral suspension sugar free	● 100 ml	642	A

BASIC PRICES OF DRUGS

Drug	Quantity	Basic Price	Category
Co-amoxiclav 400/57 oral suspension sugar free	● 35 ml	471	C <i>Augmentin Duo 400/57</i>
	● 70 ml	661	C <i>Augmentin Duo 400/57</i>
Co-amoxiclav 500/125 tablets	21	1572	A
Co-beneldopa 12.5/50 capsules	100	667	C <i>Madopar 62.5</i>
Co-beneldopa 12.5/50 dispersible tablets	100	792	C <i>Madopar 62.5 Dispersible</i>
Co-beneldopa 25/100 capsules	100	929	C <i>Madopar 125</i>
Co-beneldopa 25/100 dispersible tablets	100	1404	C <i>Madopar 125 Dispersible</i>
Co-beneldopa 50/200 capsules	100	1584	C <i>Madopar 250</i>
Cocaine hydrochloride	5 g	5585	△ A
Co-careldopa 10/100 tablets	100	765	A
Co-careldopa 12.5/50 tablets	90	703	C <i>Sinemet 62.5</i>
Co-careldopa 25/100 tablets	100	1066	A
Co-careldopa 25/250 tablets	100	1441	A
Co-codamol 15/500 tablets	100	715	C <i>Codipar</i>
Co-codamol 30/500 capsules	100	821	C <i>Tylex</i>
Co-codamol 30/500 effervescent tablets	100	863	A
Co-codamol 30/500 tablets	100	693	▽ A
Co-codamol 8/500 effervescent tablets	60	247	A
Co-codamol 8/500 tablets	100	520	A
	30	70	A
	32	71	A
	100	167	A
Co-codaprin 8/400 dispersible tablets	★ 500	570	A
	100	388	A
Coconut oil	500 g	283	C <i>Unichem</i>
Co-cyprindiol 2000/35 tablets	◆ 63	1110	C <i>Dianette</i>
Co-danthramer 25/200 capsules	60	1286	A
Co-danthramer 25/200 oral suspension sugar free	300 ml	1127	A
Co-danthramer 37.5/500 capsules strong	60	1555	A
Co-danthramer 75/1000 oral suspension strong sugar free	300 ml	3013	A
Co-danthrusate 50/60 capsules	63	1346	A
Co-danthrusate 50/60 oral suspension sugar free	200 ml	875	C <i>Normax</i>
Codeine 15mg tablets	28	103	A
	30	105	A
Codeine 15mg/5ml linctus	2 litre	790	A
Codeine 15mg/5ml linctus sugar free	2 litre	610	A
Codeine 25mg/5ml oral solution	500 ml	450	A
Codeine 30mg tablets	28	145	A
	30	145	△ A

BASIC PRICES OF DRUGS

Drug	Quantity	Basic Price	Category	
Codeine 3mg/5ml linctus paediatric sugar free	2 litre	352	C	<i>Galcodine</i>
Codeine 60mg tablets	28	260	A	
	30	280	A	
Codeine phosphate	25 g	3910	C	<i>Thornton & Ross</i>
Co-dergocrine mesilate 1.5mg tablets	100	1294	C	<i>Hydergine</i>
Co-dydramol 10/500 tablets	30	71	▽ A	
	100	210	A	
	★ 500	684	A	
Co-fluampicil 125/125 oral suspension	● 100 ml	499	C	<i>Magnapen Syrup</i>
Co-fluampicil 250/250 capsules	28	889	A	
	100	2326	A	
Co-flumactone 25/25 tablets	100	2023	C	<i>Aldactide 25</i>
Co-flumactone 50/50 tablets	100	3823	C	<i>Aldactide 50</i>
Colchicine 500microgram tablets	100	1661	A	
Colestyramine 4g oral powder sachets	50	1755	C	<i>Questran</i>
Colestyramine 4g oral powder sachets sugar free	60	1945	▽ A	
	180	6562	A	
Conjugated oestrogens 1.25mg tablets	◆ 84	1319	C	<i>Premarin</i>
Conjugated oestrogens 625microgram tablets	◆ 84	972	C	<i>Premarin</i>
Co-phenotrope 2.5/0.025 tablets	100	814	C	<i>Lomotil</i>
Copper sulphate pentahydrate	500 g	260	A	
Co-prenozide 160/0.25 modified-release tablets	◆ 28	888	C	<i>Trasidrex</i>
Co-proxamol 32.5/325 tablets	100	120	A	
Cortisone 25mg tablets	56	1092	A	
Co-simalcite 125/500 oral suspension sugar free	500 ml	196	C	<i>Altacite Plus</i>
Co-tenidone 100/25 tablets	◆ 28	385	△ A	
Co-tenidone 50/12.5 tablets	◆ 28	274	A	
Co-triamterzide 50/25 tablets	◆ 30	175	C	<i>Dyazide</i>
Co-trimoxazole 80/400 tablets	28	407	△ A	
Crotamiton 10% cream	■ 30 g	227	C	<i>Eurax</i>
	■ 100 g	395	C	<i>Eurax</i>
Cyanocobalamin 1mg/ml injection 1ml ampoules	5	833	C	<i>Cytamen</i>
§ Cyanocobalamin 50microgram tablets	50	304	C	<i>Cytacon</i>
Cyclizine 50mg tablets	100	617	C	<i>Valoid</i>
Cyclizine 50mg/ml injection 1ml ampoules	5	352	C	<i>Valoid</i>
Cyclopenthiazide 500microgram tablets	28	127	C	<i>Navidrex</i>
Cyclopentolate 0.5% eye drops	■ 5 ml	97	C	<i>Mydrilate</i>
Cyclopentolate 1% eye drops	■ 5 ml	119	C	<i>Mydrilate</i>

BASIC PRICES OF DRUGS

Drug	Quantity	Basic Price	Category
Cyclophosphamide 50mg tablets	100	1058	A
Cyproterone 100mg tablets	84	9139	C <i>Cyprostat</i>
Danazol 100mg capsules	◆ 28	687	A
	60	1704	C <i>Danol</i>
	100	2440	A
Danazol 200mg capsules	56	2621	A
	100	4740	A
Dantrolene 100mg capsules	100	4307	C <i>Dantrium</i>
Dantrolene 25mg capsules	100	1232	C <i>Dantrium</i>
Dapsone 100mg tablets	28	296	A
Dapsone 50mg tablets	28	207	A
Desloratadine 5mg tablets	30	757	C <i>Neoclarityn</i>
Desmopressin 100micrograms/ml intranasal solution	■ 2.5 ml	1045	C <i>DDAVP Nasal Solution</i>
Desmopressin 10micrograms/ actuation nasal spray	■ 50 dose	2117	C <i>Nocutil</i>
	■ 60 dose	2800	C
Dexamethasone 0.1% / Hypromellose 0.5% eye drops	■ 5 ml	149	C <i>Maxidex</i>
	■ 10 ml	295	C <i>Maxidex</i>
Dexamethasone 2mg tablets	50	550	A
	100	1095	A
	★ 500	4333	A
Dexamethasone 500microgram tablets	50	160	A
	100	320	A
	500	1594	A
Dexamfetamine 5mg tablets	28	261	C <i>Dexedrine</i>
Diamorphine 100mg injection ampoules	5	2249	A
Diamorphine 10mg injection ampoules	5	679	A
Diamorphine 10mg tablets	100	1230	A
Diamorphine 30mg injection ampoules	5	811	A
Diamorphine 500mg injection ampoules	5	10342	A
Diamorphine 5mg injection ampoules	5	591	A
Diamorphine hydrochloride	2 g	1335	A
Diazepam 10mg tablets	28	84	A
Diazepam 2mg tablets	28	53	A
Diazepam 2mg/5ml oral solution	100 ml	175	C <i>Sandoz Diazepam Syrup</i>
Diazepam 2mg/ml rectal solution 2.5ml tube	5	636	A
Diazepam 4mg/ml rectal solution 2.5ml tube	5	811	A

BASIC PRICES OF DRUGS

Drug	Quantity	Basic Price	Category
Diazepam 5mg tablets	28	58	A
Diazepam 5mg/ml injection 2ml ampoules	10	318	A
Diclofenac 1% gel	■ 100 g	700	C <i>Votarol Emulgel</i>
Diclofenac 100mg suppositories	10	304	A
Diclofenac 12.5mg suppositories	10	71	C <i>Voltarol</i>
Diclofenac 25mg suppositories	10	126	C <i>Voltarol</i>
Diclofenac 25mg/ml injection 3ml ampoules	10	743	C <i>Econac</i>
Diclofenac 50mg dispersible tablets	21	563	C <i>Voltarol Dispersible</i>
Diclofenac 50mg suppositories	10	207	C <i>Voltarol</i>
Diclofenac sodium 100mg modified-release capsules	◆ 28	936	C <i>Diclomax Retard</i>
Diclofenac sodium 25mg gastro-resistant tablets	★ 84	207	▽ A
	100	323	A
Diclofenac sodium 50mg gastro-resistant / Misoprostol 200microgram tablets	60	1331	C <i>Arthrotec 50</i>
Diclofenac sodium 50mg gastro-resistant tablets	★ 84	308	▽ A
	100	511	A
Diclofenac sodium 75mg gastro-resistant / Misoprostol 200microgram tablets	60	1759	C <i>Arthrotec 75</i>
Diclofenac sodium 75mg gastro-resistant modified-release capsules	56	1499	C <i>Motifene 75mg</i>
Diclofenac sodium 75mg modified-release capsules	◆ 56	1301	C <i>Diclomax SR</i>
Dicycloverine 10mg tablets	100	542	C <i>Merbentyl</i>
Dicycloverine 10mg/5ml oral solution	120 ml	198	C <i>Merbentyl Syrup</i>
Dicycloverine 20mg tablets	84	911	C <i>Merbentyl 20</i>
Diethylamine salicylate 10% cream	■ 50 g	109	C <i>Algesal</i>
Diethylstilbestrol 1mg tablets	28	2640	A
Diethylstilbestrol 5mg tablets	28	3960	△ A
Diflunisal 250mg tablets	60	541	C <i>Dolobid</i>
Diflunisal 500mg tablets	60	1082	C <i>Dolobid 500</i>
Digitoxin 100microgram tablets	28	392	A
Digoxin 125microgram tablets	28	60	A
Digoxin 250microgram tablets	28	60	A
Digoxin 50micrograms/ml oral solution	■ 60 ml	575	C <i>Lanoxin PG Elixir</i>
Digoxin 62.5microgram tablets	28	81	A
Dihydrocodeine 10mg/5ml oral solution	150 ml	320	A
Dihydrocodeine 120mg modified-release tablets	56	1407	C <i>DHC Continus</i>

BASIC PRICES OF DRUGS

Drug	Quantity	Basic Price	Category
Dihydrocodeine 30mg tablets	28	152	A
	30	157	△ A
	100	403	A
	★ 500	1890	A
Dihydrocodeine 50mg/ml injection 1ml ampoules	10	2294	A
Dihydrocodeine 60mg modified- release tablets	56	669	C <i>DHC Continus</i>
Dihydrocodeine 90mg modified- release tablets	56	1053	C <i>DHC Continus</i>
Dill water concentrated	100 ml	509	C <i>AAH</i>
Diltiazem 200mg modified-release capsules	◆ 28	1161	C <i>Tildiem LA 200</i>
Diltiazem 60mg modified-release capsules	56	832	C
Diltiazem 60mg modified-release tablets	84	392	△ A
Dipivefrine 0.1% eye drops	100	525	A
	■ 5 ml	381	C <i>Propine</i>
	■ 10 ml	477	C <i>Propine</i>
Dipyridamole 100mg tablets	84	456	A
Dipyridamole 200mg modified- release capsules	■ 60	975	C <i>Persantin Retard</i>
Dipyridamole 25mg tablets	84	170	C <i>Persantin</i>
	★ 100	200	A
Disodium etidronate 200mg tablets	60	3730	A
Disopyramide 100mg capsules	84	1578	A
Disopyramide 150mg capsules	84	2096	A
Disopyramide 250mg modified- release tablets	56	3102	C <i>Rythmodan Retard</i>
Disulfiram 200mg tablets	50	2022	C <i>Antabuse</i>
Dithranol	25 g	3100	C <i>AAH</i>
Docusate 100mg capsules	30	240	C <i>Diocetyl</i>
	100	800	C <i>Diocetyl</i>
Docusate 12.5mg/5ml oral solution sugar free	300 ml	163	C <i>Docusol</i>
Docusate 50mg/5ml oral solution sugar free	300 ml	248	C <i>Docusol</i>
Domperidone 10mg tablets	30	251	A
	100	831	A
Domperidone 30mg suppositories	10	265	C <i>Motilium</i>
Domperidone 5mg/5ml oral suspension sugar free	200 ml	180	C <i>Motilium</i>
Donepezil 10mg tablets	◆ 28	9576	C <i>Aricept</i>
Donepezil 5mg tablets	◆ 28	6832	C <i>Aricept</i>
Dorzolamide 2% / Timolol 0.5% eye drops	■ 5 ml	1080	C <i>Cosopt</i>
Dorzolamide 2% eye drops	■ 5 ml	931	C <i>Trusopt Ophthalmic Solution</i>
Dosulepin 25mg capsules	28	157	A
	100	360	A

VIII

BASIC PRICES OF DRUGS

Drug	Quantity	Basic Price	Category
Dosulepin 75mg tablets	◆ 28	281	A
Doxazosin 1mg tablets	◆ 28	231	A
Doxazosin 2mg tablets	◆ 28	260	A
Doxazosin 4mg modified-release tablets	◆ 28	1408	C <i>Cardura XL</i>
Doxazosin 4mg tablets	◆ 28	318	A
Doxazosin 8mg modified-release tablets	◆ 28	2816	C <i>Cardura XL</i>
Doxepin 10mg capsules	56	133	C <i>Sinequan</i>
Doxepin 25mg capsules	28	96	C <i>Sinequan</i>
Doxepin 50mg capsules	28	157	C <i>Sinequan</i>
Doxepin 75mg capsules	28	249	C <i>Sinequan</i>
Doxycycline 100mg capsules	8	248	A
	50	1038	△ A
Doxycycline 20mg tablets	56	1650	C <i>Periostat</i>
Doxycycline 50mg capsules	◆ 28	680	A
Dutasteride 500microgram capsules	30	2668	C <i>Avodart</i>
Dydrogesterone 10mg tablets	60	449	C <i>Duphaston</i>
Emulsifying ointment	500 g	154	A
Emulsifying wax	500 g	400	A
Enalapril 10mg tablets	◆ 28	463	▽ A
Enalapril 2.5mg tablets	◆ 28	233	A
Enalapril 20mg / Hydrochlorothiazide 12.5mg tablets	◆ 28	1390	C <i>Innozide</i>
Enalapril 20mg tablets	◆ 28	549	▽ A
Enalapril 5mg tablets	◆ 28	335	A
Entacapone 200mg tablets	30	1864	C <i>Comtess</i>
	100	6214	C <i>Comtess</i>
Ephedrine 0.5% nasal drops	■ 10 ml	127	△ A
Ephedrine 1% nasal drops	■ 10 ml	132	△ A
Ephedrine hydrochloride 15mg tablets	28	170	A
Ephedrine hydrochloride 30mg tablets	28	176	A
Epinastine 500micrograms/ml eye drops	■ 5 ml	1450	C <i>Relestat</i>
Eprosartan 300mg tablets	◆ 28	1250	C <i>Teveten</i>
Eprosartan 400mg tablets	◆ 56	1696	C <i>Teveten</i>
Eprosartan 600mg tablets	◆ 28	1475	C <i>Teveten</i>
Ergocalciferol 1.25mg tablets	100	2941	A
Ergocalciferol 250microgram tablets	100	2156	A
Ergocalciferol 300,000units/ml injection 1ml ampoules	10	5924	A
Ergocalciferol 300,000units/ml injection 2ml ampoules	10	7070	A
Erythromycin 2% solution	■ 50 ml	860	C <i>Stiemycin</i>

BASIC PRICES OF DRUGS

Drug	Quantity	Basic Price	Category
Erythromycin 250mg gastro-resistant capsules	28	595	C <i>Erymax</i>
	30	608	A
Erythromycin 250mg gastro-resistant tablets	28	308	A
	500	5500	A
Erythromycin 40mg/ml / Zinc acetate 12mg/ml lotion	■ 30 ml	829	C <i>Zineryt</i>
	■ 90 ml	2391	C <i>Zineryt</i>
Erythromycin ethyl succinate 125mg/5ml oral suspension	● 100 ml	112	A
Erythromycin ethyl succinate 125mg/5ml oral suspension sugar free	● 100 ml	111	A
Erythromycin ethyl succinate 250mg/5ml oral suspension	● 100 ml	181	A
Erythromycin ethyl succinate 250mg/5ml oral suspension sugar free	● 100 ml	190	A
Erythromycin ethyl succinate 500mg tablets	◆ 28	1019	C <i>Erythroped A</i>
Erythromycin ethyl succinate 500mg/5ml oral suspension	● 100 ml	295	A
Erythromycin ethyl succinate 500mg/5ml oral suspension sugar free	● 100 ml	323	A
Erythromycin stearate 250mg tablets	100	1631	C <i>Erythrocin</i>
Erythromycin stearate 500mg tablets	100	3276	C <i>Erythrocin 500</i>
Escitalopram 10mg tablets	28	1603	C <i>Cipralex</i>
Escitalopram 20mg tablets	28	2710	C <i>Cipralex</i>
Escitalopram 5mg tablets	28	964	C <i>Cipralex</i>
Esomeprazole 20mg tablets	28	1850	C <i>Nexium</i>
Esomeprazole 40mg tablets	◆ 28	2856	C <i>Nexium</i>
Estradiol 100mg implant	■ 1	3340	A
Estradiol 25mg implant	■ 1	959	A
Estradiol 50mg implant	■ 1	1916	A
Estropiate 1.5mg tablets	28	377	C <i>Harmogen</i>
Etamsylate 500mg tablets	100	2113	C <i>Dicynene</i>
Ethanol 90% (including duty)	100 ml	684	△ A
Ethanolamine oleate 5% injection 2ml ampoules	10	2620	C <i>Martindale</i>
Ethanolamine oleate 5% injection 5ml ampoules	10	2237	A
Ether solvent	500 ml	656	A
Ethinylestradiol 10microgram tablets	21	1286	A
Ethinylestradiol 1mg tablets	28	2885	A
Ethinylestradiol 50microgram tablets	21	1516	A
Ethosuximide 250mg capsules	56	541	C <i>Zarontin</i>

VIII

BASIC PRICES OF DRUGS

Drug	Quantity	Basic Price	Category
Ethosuximide 250mg/5ml oral solution	200 ml	448	C <i>Zarontin</i>
Etoricoxib 120mg tablets	7	603	C <i>Arcoxia</i>
	28	2411	C <i>Arcoxia</i>
Etoricoxib 60mg tablets	28	2296	C <i>Arcoxia</i>
Etoricoxib 90mg tablets	28	2296	C <i>Arcoxia</i>
Eucalyptus oil	500 ml	850	C <i>Loveridge</i>
Famciclovir 125mg tablets	10	3093	C <i>Famvir</i>
Famciclovir 250mg tablets	15	9279	C <i>Famvir</i>
	21	12989	C <i>Famvir</i>
	56	34639	C <i>Famvir</i>
Famciclovir 500mg tablets	14	17322	C <i>Famvir</i>
	30	37107	C <i>Famvir</i>
	56	69288	C <i>Famvir</i>
Famciclovir 750mg tablets	◆ 7	12399	C <i>Famvir</i>
Famotidine 20mg tablets	◆ 28	1174	▽ A
Famotidine 40mg tablets	◆ 28	2297	▽ A
Felbinac 3% gel	■ 30 g	226	C <i>Traxam Pain Relief Gel</i>
	■ 100 g	700	C <i>Traxam</i>
Felbinac 3.17% foam	■ 100 g	700	C <i>Traxam</i>
Felodipine 10mg modified-release tablets	◆ 28	1201	C
Felodipine 2.5mg modified-release tablets	◆ 28	670	C <i>Plendil</i>
Felodipine 5mg modified-release tablets	◆ 28	893	C
Fenbufen 300mg capsules	◆ 84	2071	C <i>Lederfen CP</i>
Fenbufen 300mg tablets	◆ 84	1509	△ A
Fenbufen 450mg tablets	◆ 56	1314	▽ A
Fenofibrate 200mg capsules (micronised)	◆ 28	1795	C <i>Lipantil Micro 200</i>
Ferric chloride solution	500 ml	375	C <i>Loveridge</i>
Ferrous fumarate 140mg/5ml oral solution	200 ml	259	C <i>Fersamal Syrup</i>
Ferrous fumarate 140mg/5ml oral solution sugar free	300 ml	486	C <i>Galfer Syrup</i>
Ferrous fumarate 210mg tablets	100	120	C <i>Fersamal</i>
Ferrous gluconate 300mg tablets	1000	3655	A
Ferrous sulphate 200mg tablets	◆ 28	90	A
Fexofenadine 120mg tablets	30	814	C <i>Telfast 120</i>
Fexofenadine 180mg tablets	30	1059	C <i>Telfast 180</i>
Fexofenadine 30mg tablets	60	611	C <i>Telfast 30</i>
Finasteride 5mg tablets	◆ 28	1992	C <i>Proscar</i>
Flavoxate 200mg tablets	90	1187	C <i>Urispas 200</i>
Flecainide 100mg tablets	60	2221	A
Flecainide 50mg tablets	60	1555	A
Flexible collodion methylated	500 ml	1333	A

BASIC PRICES OF DRUGS

Drug	Quantity	Basic Price	Category
Flucloxacillin 125mg/5ml oral solution	● 100 ml	323	A
Flucloxacillin 125mg/5ml oral suspension	● 100 ml	349	C <i>Floxapen Syrup</i>
Flucloxacillin 250mg capsules	28	293	A
Flucloxacillin 250mg/5ml oral solution	● 100 ml	697	A
Flucloxacillin 250mg/5ml oral suspension	● 100 ml	697	C <i>Floxapen Syrup</i>
Flucloxacillin 500mg capsules	28	473	A
Fluconazole 150mg capsules	■ 1	506	▽ A
Fluconazole 200mg capsules	◆ 7	4830	▽ A
Fluconazole 200mg/5ml oral suspension	● 35 ml	6642	C <i>Diflucan</i>
Fluconazole 50mg capsules	◆ 7	1047	▽ A
Fluconazole 50mg/5ml oral suspension	● 35 ml	1661	C <i>Diflucan</i>
Fludrocortisone 100microgram tablets	56	269	C <i>Florinef</i>
Flunisolide 25micrograms/actuation nasal spray	■ 24 ml	505	C <i>Syntaris</i>
Fluocinolone 0.025% gel	■ 30 g	334	C <i>Synalar</i>
Fluoxetine 20mg capsules	◆ 30	185	▽ A
Fluoxetine 20mg/5ml oral solution	■ 70 ml	1086	▽ A
Fluoxetine 60mg capsules	30	4761	C <i>Prozac 60</i>
Flupentixol 1mg tablets	60	523	C <i>Fluanxol</i>
Flupentixol 3mg tablets	100	1497	C <i>Depixol</i>
Flupentixol 500microgram tablets	60	310	C <i>Fluanxol</i>
Fluphenazine decanoate 100mg/ml injection 1ml ampoules	5	4550	C <i>Modecate Concentrate</i>
Fluphenazine decanoate 25mg/ml injection 1ml ampoules	10	2346	C <i>Modecate</i>
Flurbiprofen 100mg tablets	100	1881	▽ A
Flurbiprofen 200mg modified-release capsules	30	1088	C <i>Froben SR</i>
Flurbiprofen 50mg tablets	100	991	A
Flutamide 250mg tablets	◆ 84	6823	▽ A
Fluticasone 0.005% ointment	■ 15 g	259	C <i>Cutivate</i>
	■ 50 g	765	C <i>Cutivate</i>
Fluticasone 0.05% cream	■ 15 g	259	C <i>Cutivate</i>
	■ 50 g	765	C <i>Cutivate</i>
Fluticasone 125micrograms/actuation inhaler CFC free	■ 120 dose	2286	C <i>Flixotide Evohaler</i>
Fluticasone 250micrograms/actuation inhaler CFC free	■ 120 dose	3886	C <i>Flixotide Evohaler</i>
Fluticasone 50micrograms/actuation inhaler CFC free	■ 120 dose	585	C <i>Flixotide Evohaler</i>
Fluticasone 50micrograms/actuation nasal spray	■ 150 dose	1257	C <i>Flixonase</i>
Fluvastatin 20mg capsules	◆ 28	1272	C <i>Lescol</i>
Fluvastatin 40mg capsules	◆ 28	1272	C <i>Lescol</i>

BASIC PRICES OF DRUGS

Drug	Quantity	Basic Price	Category	
Fluvastatin 80mg modified-release tablets	28	1600	C	<i>Lescol XL</i>
Fluvoxamine 100mg tablets	30	1800	▽ A	
Fluvoxamine 50mg tablets	60	1800	A	
Folic acid 2.5mg/5ml oral solution sugar free	150 ml	974	C	<i>Lexpec Syrup</i>
Folic acid 400microgram tablets	90	224	C	<i>Preconceive</i>
Folic acid 5mg tablets	28	44	A	
Formaldehyde solution	2 litre	449	A	
	500 ml	305	C	<i>Loveridge</i>
Fosinopril 10mg tablets	◆ 28	1204	C	<i>Staril</i>
Fosinopril 20mg tablets	◆ 28	1300	C	<i>Staril</i>
Furosemide 20mg tablets	28	65	A	
	250	437	A	
Furosemide 40mg tablets	◆ 28	78	A	
Furosemide 500mg tablets	28	902	A	
Fusidic acid 1% modified-release eye drops	■ 5 g	209	C	<i>Fucithalmic Viscous Drops</i>
Fusidic acid 2% / Betamethasone valerate 0.1% cream	■ 30 g	604	C	<i>Fucibet</i>
	■ 60 g	1207	C	<i>Fucibet</i>
Fusidic acid 2% / Hydrocortisone acetate 1% cream	■ 30 g	530	C	<i>Fucidin H</i>
	■ 60 g	1060	C	<i>Fucidin H</i>
Fusidic acid 2% cream	■ 15 g	274	C	<i>Fucidin</i>
	■ 30 g	462	C	<i>Fucidin</i>
Gabapentin 100mg capsules	100	2286	A	
Gabapentin 300mg capsules	100	5300	A	
Gabapentin 400mg capsules	100	6133	A	
Gabapentin 600mg tablets	100	10600	C	
Gabapentin 800mg tablets	100	12266	A	
Gemfibrozil 300mg capsules	112	2415	▽ A	
Gemfibrozil 600mg tablets	30	1464	△ A	
	◆ 56	1979	△ A	
Gentamicin 0.3% ear/eye drops	■ 10 ml	191	C	<i>Genticin</i>
Gentian acid mixture	200 ml	49	E	
Gentian alkaline mixture	2 litre	652	A	
Gentian compound infusion concentrated	500 ml	940	C	<i>Loveridge</i>
Ginger syrup	500 ml	117	E	
Ginger tincture strong	500 ml	812	△ A	
Glibenclamide 2.5mg tablets	◆ 28	96	A	
Glibenclamide 5mg tablets	28	122	A	
Gliclazide 80mg tablets	28	233	▽ A	
	60	546	▽ A	
Glimepiride 1mg tablets	30	485	C	<i>Amaryl</i>
Glimepiride 2mg tablets	30	798	C	<i>Amaryl</i>

BASIC PRICES OF DRUGS

Drug	Quantity	Basic Price	Category	
Glimepiride 3mg tablets	30	1203	C	<i>Amaryl</i>
Glimepiride 4mg tablets	30	1594	C	<i>Amaryl</i>
Glipizide 2.5mg tablets	28	148	C	<i>Minodiab 2.5</i>
Glipizide 5mg tablets	28	126	C	<i>Minodiab 5</i>
	56	451	▽ A	
Glucose 50% intravenous infusion 50ml vials	■ 1	440	A	
Glucose liquid BPC1963	140 g	55	A	
Glycerol 1g suppositories	12	81	A	
Glycerol 2g suppositories	12	82	A	
Glycerol 4g suppositories	12	76	A	
Glycerol liquid	100 ml	63	△ A	
Glyceryl trinitrate 300microgram sublingual tablets	■ 100	291	C	<i>GTN</i>
Glyceryl trinitrate 400micrograms/ actuation sublingual spray	■ 180 dose	263	C	<i>Nitromin</i>
	■ 200 dose	313	C	
Glyceryl trinitrate 500microgram sublingual tablets	■ 100	106	A	
Glyceryl trinitrate 600microgram sublingual tablets	■ 100	231	A	
Goserelin 10.8mg implant pre-filled syringes	■ 1	36681	C	<i>Zoladex LA</i>
Goserelin 3.6mg implant pre-filled syringes	■ 1	12227	C	<i>Zoladex</i>
Griseofulvin 125mg tablets	100	256	C	<i>Grisovin</i>
Griseofulvin 500mg tablets	100	963	C	<i>Grisovin</i>
Halibut-liver oil 4000unit capsules	100	92	C	<i>AAH</i>
Haloperidol 1.5mg tablets	28	161	A	
Haloperidol 10mg tablets	28	661	A	
Haloperidol 20mg tablets	28	1199	A	
Haloperidol 500microgram capsules	30	98	C	<i>Serenace</i>
Haloperidol 5mg tablets	28	492	A	
	100	890	A	
Haloperidol 5mg/ml injection 1ml ampoules	5	163	C	<i>Haldol</i>
Hamamelis water	500 ml	194	▽ C	<i>Unichem</i>
Heparinoid 0.3% cream	■ 50 g	139	C	<i>Hirudoid</i>
Heparinoid 0.3% gel	■ 50 g	139	C	<i>Hirudoid</i>
Homatropine 1% eye drops	■ 10 ml	214	A	
Homatropine 2% eye drops	■ 10 ml	226	A	
Hydralazine 25mg tablets	56	151	A	
Hydralazine 50mg tablets	56	296	A	
Hydrochloric acid dilute	500 ml	295	C	<i>Unichem</i>
Hydrocortisone	5 g	1455	A	
Hydrocortisone 0.1% cream	■ 15 g	165	C	<i>Dermacort</i>
	■ 30 g	269	C	<i>Dioderm</i>

VIII

BASIC PRICES OF DRUGS

Drug	Quantity	Basic Price	Category
Hydrocortisone 0.5% cream	■ 15 g	35	A
	■ 30 g	66	C <i>Efcortelan</i>
Hydrocortisone 0.5% ointment	■ 15 g	36	A
	■ 30 g	66	C <i>Efcortelan</i>
Hydrocortisone 1% cream	■ 15 g	37	A
	■ 30 g	72	A
	■ 50 g	105	A
Hydrocortisone 1% ointment	■ 15 g	37	A
	■ 30 g	72	A
	■ 50 g	119	A
Hydrocortisone 10mg tablets	30	70	C <i>Hydrocortone</i>
Hydrocortisone 2.5% cream	■ 15 g	86	A
	■ 30 g	183	C <i>Efcortelan</i>
Hydrocortisone 2.5% eye ointment	■ 3 g	244	C <i>Martindale</i>
Hydrocortisone 2.5% ointment	■ 15 g	100	A
	■ 30 g	183	C <i>Efcortelan</i>
Hydrocortisone 2.5mg oromucosal tablets	20	273	C <i>Corlan Pellets</i>
Hydrocortisone 20mg tablets	30	107	C <i>Hydrocortone</i>
Hydrocortisone acetate 1% / Gentamicin 0.3% ear drops	■ 10 ml	397	C <i>Gentisone HC</i>
Hydrocortisone butyrate 0.1% cream	■ 30 g	246	C <i>Locoid</i>
	■ 100 g	758	C <i>Locoid</i>
Hydrocortisone butyrate 0.1% ointment	■ 30 g	246	C <i>Locoid</i>
	■ 100 g	758	C <i>Locoid</i>
Hydrocortisone sodium succinate 100mg injection vials and diluent	■ 1	116	C <i>Solu - Cortef</i>
Hydrogen peroxide 25% ear drops	10 ml	1	E
Hydrogen peroxide 6% solution	2 litre	336	▽ A
Hydrotalcite 500mg/5ml oral suspension	500 ml	196	C <i>Peckforton Pharmaceuticals Ltd</i>
Hydrous ointment	500 g	199	A
Hydrous wool fat	500 g	520	C <i>Loveridge</i>
Hydroxocobalamin 1mg/ml injection 1ml ampoules	5	1231	A
Hydroxycarbamide 500mg capsules	100	1195	C <i>Hydrea</i>
Hydroxychloroquine 200mg tablets	60	455	C <i>Plaquenil</i>
Hydroxyzine 10mg tablets	84	182	C <i>Atarax</i>
Hydroxyzine 25mg tablets	28	122	C <i>Atarax</i>
Hyoscine butylbromide 10mg tablets	56	259	C <i>Buscopan</i>
Hyoscine hydrobromide 400micrograms/ml injection 1ml ampoules	10	2712	A
Hypromellose 0.3% eye drops	■ 10 ml	75	A
Hypromellose 0.5% eye drops	■ 10 ml	85	C <i>Isopto Plain</i>
Hypromellose 1% eye drops	■ 10 ml	99	C <i>Isopto Alkaline</i>

BASIC PRICES OF DRUGS

Drug	Quantity	Basic Price	Category
Ibuprofen 100mg/5ml oral suspension	500 ml	888	C <i>Brufen Syrup</i>
Ibuprofen 100mg/5ml oral suspension sugar free	100 ml	179	A
	150 ml	281	C <i>Nurofen</i>
Ibuprofen 200mg tablets	84	169	A
Ibuprofen 400mg tablets	84	246	A
Ibuprofen 5% cream	■ 30 g	268	C <i>Proflex Pain Relief Cream</i>
	■ 100 g	621	C <i>Proflex</i>
Ibuprofen 5% gel	■ 30 g	210	C <i>Fenbid</i>
	■ 50 g	247	A
	■ 100 g	531	A
Ibuprofen 600mg effervescent granules sachets	20	680	C <i>Brufen</i>
Ibuprofen 600mg tablets	84	336	A
	100	460	A
Ibuprofen 800mg modified-release tablets	◆ 56	724	C <i>Brufen Retard</i>
Ibuprofen 800mg tablets	90	1052	C <i>Motrin</i>
Ichthammol	100 g	405	A
Ichthammol glycerin liquid	500 ml	643	A
Imipramine 10mg tablets	28	85	A
Imipramine 25mg tablets	28	101	A
Indapamide 2.5mg tablets	28	282	A
	56	510	A
Indometacin 25mg capsules	28	72	A
Indometacin 50mg capsules	28	81	A
Indoramin 20mg tablets	60	1230	C <i>Doralese Tiltab</i>
Indoramin 25mg tablets	84	900	C <i>Baratol</i>
Industrial methylated spirit 95%	500 ml	160	C <i>Loveridge</i>
Iodine	100 g	665	C <i>Loveridge</i>
Iodine aqueous oral solution	100 ml	195	C <i>Thornton & Ross</i>
	500 ml	592	A
Iodine solution strong	500 ml	660	C <i>Loveridge</i>
Ipecacuanha alkaline mixture	200 ml	22	E
Ipecacuanha and Ammonia mixture paediatric	100 ml	11	E
Ipecacuanha mixture paediatric	100 ml	16	E
Ipecacuanha opiate mixture paediatric	100 ml	18	E
Ipecacuanha tincture	500 ml	812	△ A
Ipratropium 20micrograms/actuation inhaler CFC free	■ 200 dose	421	C <i>Atrovent</i>
Ipratropium 21micrograms/actuation nasal spray	■ 15 ml	455	C <i>Rinatec Aqueous</i>
Irbesartan 150mg tablets	◆ 28	1645	C <i>Aprovel</i>
Irbesartan 300mg tablets	◆ 28	2221	C <i>Aprovel</i>
Irbesartan 75mg tablets	◆ 28	1480	C <i>Aprovel</i>

VIII

BASIC PRICES OF DRUGS

Drug	Quantity	Basic Price	Category
Isoniazid 100mg tablets	28	577	A
Isoniazid 50mg tablets	56	578	A
Isosorbide dinitrate 10mg tablets	56	109	A
Isosorbide dinitrate 20mg tablets	56	187	A
Isosorbide mononitrate 10mg tablets	56	113	A
Isosorbide mononitrate 20mg tablets	56	212	A
Isosorbide mononitrate 25mg modified-release capsules	◆ 28	669	C
Isosorbide mononitrate 40mg tablets	56	357	A
Isosorbide mononitrate 50mg modified-release capsules	◆ 28	1079	C
Isosorbide mononitrate 50mg modified-release tablets	◆ 28	795	C
Isosorbide mononitrate 60mg modified-release capsules	◆ 28	903	C
Isosorbide mononitrate 60mg modified-release tablets	◆ 28	1114	C
Ispaghula husk 3.4g oral powder sachets gluten free sugar free	30	212	C
Ispaghula husk 3.5g effervescent granules sachets gluten free sugar free	30	212	C
Ispaghula husk 3.5g/dose effervescent granules gluten free sugar free	■ 150 g	344	C
Itraconazole 100mg capsules	4	419	C
	15	1572	C
	60	6289	C
Kaolin and Morphine mixture	200 ml	43	C
Kaolin light	1 kg	385	C
Kaolin mixture	2 litre	446	△ A
	200 ml	48	A
Kaolin mixture paediatric	500 ml	210	△ A
Kaolin poultices	■ 200 g	212	A
	■ 500 g	320	C
Ketoconazole 2% cream	■ 30 g	381	C
Ketoconazole 2% shampoo	■ 120 ml	434	▽ A
Ketoconazole 200mg tablets	30	1569	C
Ketoprofen 100mg capsules	56	759	△ A
Ketoprofen 2.5% gel	■ 30 g	262	C
	■ 50 g	325	C
	■ 100 g	625	C
Ketoprofen 50mg capsules	28	452	△ A
	112	1728	C

BASIC PRICES OF DRUGS

Drug	Quantity	Basic Price	Category
Ketotifen 1mg/5ml oral solution sugar free	300 ml	1157	C <i>Zaditen Elixir</i>
Labetalol 100mg tablets	56	471	A
Labetalol 200mg tablets	56	641	A
Labetalol 400mg tablets	56	1112	A
Labetalol 50mg tablets	◆ 56	505	C <i>Trandate</i>
Lacidipine 2mg tablets	◆ 28	1023	C <i>Motens</i>
Lacidipine 4mg tablets	◆ 28	1530	C <i>Motens</i>
Lactic acid	250 ml	350	C <i>Loveridge</i>
Lactose	500 g	270	C <i>Loveridge</i>
Lactulose 3.1-3.7g/5ml oral solution	300 ml	146	A
Lamotrigine 100mg dispersible tablets	500 ml 56	243 6437	A C <i>Lamictal Dispersible</i>
Lamotrigine 100mg tablets	56	6437	C <i>Lamictal</i>
Lamotrigine 200mg tablets	◆ 56	10942	C <i>Lamictal</i>
Lamotrigine 25mg dispersible tablets	56	2195	C <i>Lamictal Dispersible</i>
Lamotrigine 25mg tablets	21	823	C <i>Lamictal</i>
	42	1645	C <i>Lamictal</i>
	56	2195	C <i>Lamictal</i>
Lamotrigine 2mg dispersible tablets	30	937	C <i>Lamictal Dispersible</i>
Lamotrigine 50mg tablets	56	3731	C <i>Lamictal</i>
Lamotrigine 5mg dispersible tablets	28	875	C <i>Lamictal Dispersible</i>
Lansoprazole 15mg gastro-resistant capsules	◆ 28	1389	C <i>Zoton</i>
	◆ 56	2778	C <i>Zoton</i>
Lansoprazole 15mg orodispersible gastro-resistant tablets	◆ 28	1168	C <i>Zoton FasTab</i>
Lansoprazole 30mg gastro-resistant capsules	◆ 14	1271	C <i>Zoton</i>
	◆ 28	2541	C <i>Zoton</i>
Lansoprazole 30mg gastro-resistant granules sachets	28	3653	C <i>Zoton</i>
Lansoprazole 30mg orodispersible gastro-resistant tablets	◆ 14	1069	C <i>Zoton FasTab</i>
	◆ 28	2138	C <i>Zoton FasTab</i>
Latanoprost 50micrograms/ml eye drops	■ 2.5 ml	1314	C <i>Xalatan</i>
Leflunomide 10mg tablets	■ 30	5113	C <i>Arava</i>
Leflunomide 20mg tablets	■ 30	5113	C <i>Arava</i>
Lemon spirit	100 ml	554	A
Lercanidipine 10mg tablets	◆ 28	624	C <i>Zanidip</i>
Letrozole 2.5mg tablets	◆ 14	4158	C <i>Femara</i>
	◆ 28	8316	C <i>Femara</i>
Levetiracetam 1g tablets	60	10110	C <i>Keppra</i>
Levetiracetam 250mg tablets	60	2970	C <i>Keppra</i>
Levetiracetam 500mg tablets	60	5230	C <i>Keppra</i>

VIII

BASIC PRICES OF DRUGS

Drug	Quantity	Basic Price	Category
Levobunolol 0.5% eye drops	■ 5 ml	254	A
Levocetirizine 5mg tablets	30	745	C <i>Xyzal</i>
Levodopa 500mg tablets	84	3439	A
Levonorgestrel 750microgram tablets	2	550	C <i>Levonelle-2</i>
Levothyroxine sodium 100microgram tablets	28	86	A
Levothyroxine sodium 25microgram tablets	1000	2820	△ A
Levothyroxine sodium 25microgram tablets	28	85	A
Levothyroxine sodium 50microgram tablets	500	1002	A
Levothyroxine sodium 50microgram tablets	28	57	A
Lidocaine 1% injection 10ml ampoules	1000	1892	▽ A
Lidocaine 1% injection 10ml ampoules	10	339	▽ A
Lidocaine 1% injection 20ml ampoules	10	588	▽ A
Lidocaine 1% injection 2ml ampoules	10	213	A
Lidocaine 1% injection 5ml ampoules	10	228	A
Lidocaine 2% / Chlorhexidine 0.25% gel 11ml pre-filled syringes	10	1695	C <i>Instillagel</i>
Lidocaine 2% / Chlorhexidine 0.25% gel 6ml pre-filled syringes	10	1511	C <i>Instillagel</i>
Lidocaine 2% injection 20ml ampoules	10	628	A
Lidocaine 2% injection 2ml ampoules	10	277	A
Lidocaine 2% injection 5ml ampoules	10	253	A
Linseed oil	500 ml	215	C <i>Unichem</i>
Liothyronine 20microgram tablets	100	1592	C <i>Tertroxin</i>
Liquid paraffin	2 litre	440	A
Liquid paraffin / Magnesium hydroxide oral emulsion	2 litre	633	A
Liquid paraffin / Magnesium hydroxide oral emulsion	150 ml	95	△ A
Liquid paraffin 50% / White soft paraffin 50% ointment	250 g	188	A
Liquid paraffin light	500 ml	225	C <i>Loveridge</i>
Liquid paraffin oral emulsion	500 ml	260	C <i>Loveridge</i>
Liquorice liquid extract	500 ml	481	A
Lisinopril 10mg / Hydrochlorothiazide 12.5mg tablets	◆ 28	1288	A
Lisinopril 10mg tablets	◆ 28	404	A
Lisinopril 2.5mg tablets	◆ 28	289	A

BASIC PRICES OF DRUGS

Drug	Quantity	Basic Price	Category
Lisinopril 20mg / Hydrochlorothiazide 12.5mg tablets	◆ 28	1447	A
Lisinopril 20mg tablets	◆ 28	549	A
Lisinopril 5mg tablets	◆ 28	347	A
Lithium carbonate 200mg modified- release tablets	100	300	C <i>Priadel 200</i>
Lithium carbonate 250mg tablets	100	346	C <i>Camcolit 250</i>
Lithium carbonate 450mg modified- release tablets	60	310	C <i>Liskonum</i>
Lodoxamide 0.1% eye drops	■ 10 ml	548	C <i>Alomide Ophthalmic Solution</i>
Lofepramine 70mg tablets	◆ 56	1029	A
Loperamide 1mg/5ml oral solution sugar free	100 ml	105	C <i>Imodium Syrup</i>
Loperamide 2mg capsules	30	214	A
Loprazolam 1mg tablets	28	446	C <i>Aventis Pharma</i>
Loratadine 10mg tablets	30	416	▽ A
Lorazepam 1mg tablets	28	125	A
Lorazepam 2.5mg tablets	28	173	A
Lormetazepam 1mg tablets	30	437	A
Lormetazepam 500microgram tablets	30	365	A
Losartan 100mg tablets	◆ 28	2420	C <i>Cozaar</i>
Losartan 25mg tablets	◆ 7	453	C <i>Cozaar Half Strength</i>
Losartan 50mg tablets	◆ 28	1809	C <i>Cozaar</i>
Magnesium carbonate light	500 g	385	C <i>Loveridge</i>
Magnesium carbonate mixture aromatic	2 litre	652	△ A
Magnesium hydroxide oral suspension	500 ml	214	△ A
Magnesium sulphate	500 g	85	C <i>Loveridge</i>
Magnesium sulphate 50% injection 2ml ampoules	10	2226	▽ A
Magnesium sulphate dried	1 kg	365	C <i>Loveridge</i>
Magnesium sulphate mixture	200 ml	31	E
Magnesium sulphate paste	25 g	59	A
	50 g	71	▽ A
Magnesium trisilicate	500 g	575	C <i>Loveridge</i>
Magnesium trisilicate oral suspension	2 litre	489	A
Malathion 0.5% alcoholic lotion	■ 50 ml	222	C
	■ 200 ml	570	C
Malathion 0.5% aqueous liquid	■ 50 ml	222	C <i>Derbac-M</i>
	■ 200 ml	570	C <i>Derbac-M</i>
Malathion 1% cream shampoo	■ 40 g	277	C <i>Prioderm</i>
Mebendazole 100mg chewable tablets	6	153	C <i>Vermox</i>

VIII

BASIC PRICES OF DRUGS

Drug	Quantity	Basic Price	Category
Mebendazole 100mg/5ml oral suspension	■ 30 ml	177	C <i>Vermox</i>
Mebeverine 135mg tablets	100	776	A
Mecysteine 100mg gastro-resistant tablets	100	1829	C <i>Visclair</i>
Medroxyprogesterone 100mg tablets	100	4994	C <i>Provera</i>
Medroxyprogesterone 10mg tablets	10	247	C <i>Provera</i>
	90	2216	C <i>Provera</i>
Medroxyprogesterone 150mg/ml injection 1ml pre-filled syringes	■ 1	501	C <i>Depo-Provera</i>
Medroxyprogesterone 2.5mg tablets	30	184	C <i>Provera</i>
Medroxyprogesterone 200mg tablets	30	2965	C <i>Provera</i>
Medroxyprogesterone 400mg tablets	30	5867	C <i>Provera</i>
Medroxyprogesterone 5mg tablets	10	123	C <i>Provera</i>
Mefenamic acid 250mg capsules	100	250	A
Mefenamic acid 500mg tablets	28	254	A
	100	726	A
Megestrol 160mg tablets	30	2930	C <i>Megace</i>
Megestrol 40mg tablets	120	3048	C <i>Megace</i>
Meloxicam 15mg suppositories	12	600	C <i>Mobic</i>
Meloxicam 15mg tablets	30	1390	C <i>Mobic</i>
Meloxicam 7.5mg suppositories	12	400	C <i>Mobic</i>
Meloxicam 7.5mg tablets	30	1000	C <i>Mobic</i>
Menthol	5 g	65	C <i>AAH</i>
Menthol and Eucalyptus inhalation	100 ml	62	△ A
Meptazinol 200mg tablets	112	2211	C <i>Meptid</i>
Mesalazine 400mg gastro-resistant tablets	90	3122	C
	120	4162	C
Metformin 500mg tablets	28	76	A
	84	214	A
Metformin 850mg tablets	56	231	A
	★ 300	997	A
Methadone 10mg/ml injection 1ml ampoules	10	859	A
Methadone 10mg/ml injection 2ml ampoules	10	1450	A
Methadone 10mg/ml injection 3.5ml ampoules	10	1783	A
Methadone 10mg/ml injection 5ml ampoules	10	1923	A
Methadone 1mg/ml oral solution	30 ml	44	C <i>Unichem</i>
	50 ml	73	C <i>Unichem</i>
	100 ml	145	C <i>Physeptone Mixture</i>
	500 ml	759	A

BASIC PRICES OF DRUGS

Drug	Quantity	Basic Price	Category
Methadone 1mg/ml oral solution sugar free	30 ml	44	C <i>Rosemont</i>
	50 ml	73	C <i>Rosemont</i>
	100 ml	145	A
	500 ml	725	A
Methadone 2mg/5ml linctus	500 ml	524	A
Methadone 5mg tablets	50	297	C <i>Physeptone</i>
Methadone hydrochloride	2 g	959	A
Methocarbamol 750mg tablets	100	1265	C <i>Robaxin 750</i>
Methotrexate 10mg tablets	100	5507	A
Methotrexate 2.5mg tablets	28	327	A
	100	1141	A
Methyl salicylate	500 ml	530	A
Methyl salicylate 25% liniment	500 ml	339	A
Methyl salicylate 50% ointment	500 g	510	A
Methylcellulose 20	500 g	1965	C <i>Loveridge</i>
Methylcellulose 500mg tablets	112	269	C <i>Celevac</i>
Methyldopa 125mg tablets	56	160	A
Methyldopa 250mg tablets	56	169	A
Methyldopa 500mg tablets	56	345	▽ A
Methylphenidate 10mg tablets	◆ 30	545	▽ A
Methylphenidate 20mg tablets	30	998	C <i>Equasym</i>
Methylphenidate 5mg tablets	30	278	C <i>Equasym</i>
Metoclopramide 10mg tablets	28	87	A
Metoclopramide 5mg/ml injection 2ml ampoules	10	259	A
Metolazone 5mg tablets	100	2037	C <i>Metenix 5</i>
Metoprolol 100mg tablets	28	172	A
	◆ 56	381	A
	★ 100	585	A
Metoprolol 50mg tablets	28	112	A
	◆ 56	243	▽ A
	★ 100	330	A
Metronidazole 200mg tablets	21	133	A
	250	500	A
Metronidazole 200mg/5ml oral suspension	100 ml	770	A
Metronidazole 400mg tablets	21	154	A
	100	415	A
Metronidazole 500mg tablets	21	350	A
Mianserin 10mg tablets	28	269	A
Mianserin 20mg tablets	28	412	A
Mianserin 30mg tablets	◆ 28	540	A
Miconazole 2% / Hydrocortisone 1% cream	■ 30 g	224	C <i>Daktacort</i>
Miconazole 2% / Hydrocortisone 1% ointment	■ 30 g	225	C <i>Daktacort</i>
Miconazole 2% cream	■ 30 g	207	C <i>Daktarin</i>

VIII

BASIC PRICES OF DRUGS

Drug	Quantity	Basic Price	Category
Miconazole 20mg/g oromucosal gel sugar free	■ 15 g	245	C <i>Daktarin</i>
	■ 80 g	500	C <i>Daktarin</i>
Minocycline 100mg modified-release capsules	◆ 56	4227	C
Minocycline 100mg tablets	28	1138	A
Minocycline 50mg tablets	28	748	A
Mirtazapine 15mg orodispersible tablets	30	2063	C <i>Zispin SolTab</i>
Mirtazapine 30mg orodispersible tablets	30	2063	C <i>Zispin SolTab</i>
Mirtazapine 30mg tablets	◆ 28	2101	▽ A
Mirtazapine 45mg orodispersible tablets	30	2063	C <i>Zispin SolTab</i>
Misoprostol 200microgram tablets	60	1003	C <i>Cytotec</i>
Mizolastine 10mg modified release tablets	30	620	C <i>Mizollen</i>
Moclobemide 150mg tablets	30	926	▽ A
Moclobemide 300mg tablets	30	1478	A
Mometasone 0.1% cream	■ 30 g	488	C <i>Elocon</i>
	■ 100 g	1405	C <i>Elocon</i>
Mometasone 0.1% ointment	■ 30 g	488	C <i>Elocon</i>
	■ 100 g	1405	C <i>Elocon</i>
Mometasone 0.1% scalp lotion	■ 30 ml	488	C <i>Elocon</i>
Mometasone 50micrograms/actuation nasal spray	■ 140 dose	1092	C <i>Nasonex</i>
Montelukast 10mg tablets	◆ 28	2697	C <i>Singulair</i>
Montelukast 4mg chewable tablets	◆ 28	2569	C <i>Singulair</i>
Montelukast 4mg granules sachets	28	2569	C <i>Singulair</i>
Montelukast 5mg chewable tablets	◆ 28	2569	C <i>Singulair</i>
Morphine 100mg modified-release tablets	60	4518	C <i>MST Continus</i>
Morphine 10mg modified-release capsules	60	431	C <i>Zomorph</i>
Morphine 10mg modified-release tablets	60	609	C <i>MST Continus</i>
Morphine 15mg modified-release tablets	60	1068	C <i>MST Continus</i>
Morphine 200mg modified-release capsules	60	6379	C <i>Zomorph</i>
Morphine 200mg modified-release tablets	60	9038	C <i>MST Continus</i>
Morphine 30mg modified-release capsules	60	1033	C <i>Zomorph</i>
Morphine 30mg modified-release tablets	60	1463	C <i>MST Continus</i>
Morphine 5mg modified-release tablets	60	365	C <i>MST Continus</i>
Morphine 60mg modified-release capsules	60	2015	C <i>Zomorph</i>
Morphine 60mg modified-release tablets	60	2854	C <i>MST Continus</i>

BASIC PRICES OF DRUGS

Drug	Quantity	Basic Price	Category	
Morphine and Cocaine elixir	200 ml	540	△ E	
Morphine hydrochloride	2 g	1359	A	
Morphine sulphate	2 g	1120	C	<i>Martindale</i>
	5 g	2162	A	
Morphine sulphate 10mg/ml injection 1ml ampoules	5	362	A	
Morphine sulphate 15mg suppositories	12	714	A	
Morphine sulphate 15mg/ml injection 1ml ampoules	5	420	A	
Morphine sulphate 30mg suppositories	12	1036	▽ A	
Morphine sulphate 30mg/ml injection 1ml ampoules	5	545	A	
Mouthwash solution tablets	■ 100	253	▽ A	
Moxonidine 200microgram tablets	◆ 28	1045	C	<i>Physiotens</i>
Moxonidine 300microgram tablets	◆ 28	1235	C	<i>Physiotens</i>
Moxonidine 400microgram tablets	◆ 28	1426	C	<i>Physiotens</i>
Mupirocin 2% cream	■ 15 g	471	C	<i>Bactroban</i>
Mupirocin 2% nasal ointment	■ 3 g	624	C	<i>Bactroban Nasal</i>
Mupirocin 2% ointment	■ 15 g	471	C	<i>Bactroban</i>
Myrrh tincture	100 ml	255	C	<i>Unichem</i>
Nabumetone 500mg dispersible tablets	60	1589	C	<i>Relifex Dispersible</i>
Nabumetone 500mg tablets	56	1659	△ A	
Nabumetone 500mg/5ml oral suspension sugar free	300 ml	2408	C	<i>Relifex</i>
Naftidrofuryl 100mg capsules	◆ 84	773	▽ A	
	100	1023	C	<i>Praxilene</i>
	500	4975	C	<i>Praxilene</i>
Naproxen 250mg gastro-resistant tablets	56	443	△ A	
Naproxen 250mg tablets	28	157	A	
	250	1327	▽ A	
Naproxen 500mg gastro-resistant tablets	56	816	A	
Naproxen 500mg tablets	28	351	A	
	60	391	A	
	100	1301	A	
Naproxen sodium 275mg tablets	60	811	C	<i>Synflex</i>
Naratriptan 2.5mg tablets	6	2640	C	<i>Naramig</i>
Nebivolol 5mg tablets	◆ 28	980	C	<i>Nebilet</i>
Nedocromil 2% eye drops	■ 5 ml	931	C	<i>Rapitil</i>
Nefopam 30mg tablets	90	1202	C	<i>Acupan</i>
Neomycin 0.5% cream	■ 15 g	108	△ A	
Neomycin 0.5% eye ointment	■ 3 g	244	A	
Nicardipine 20mg capsules	56	832	A	
Nicardipine 30mg capsules	56	970	A	

BASIC PRICES OF DRUGS

Drug	Quantity	Basic Price	Category
Nicardipine 30mg modified-release capsules	56	1098	C <i>Cardene SR</i>
Nicardipine 45mg modified-release capsules	56	1598	C <i>Cardene SR</i>
Nicorandil 10mg tablets	60 (6x■10)	818	C <i>Ikorel</i>
Nicorandil 20mg tablets	60 (6x■10)	1554	C <i>Ikorel</i>
Nicotine 10mg inhalation cartridges with device	■ 6	339	C <i>Nicorette Inhalator</i>
	■ 42	1137	C <i>Nicorette Inhalator</i>
Nicotine 10mg/16hours patches	7	907	C <i>Nicorette</i>
Nicotine 15mg/16hours patches	7	907	C <i>Nicorette</i>
Nicotine 1mg lozenges sugar free	96	912	C <i>Nicotinell</i>
Nicotine 21mg/24hours patches	7	997	C <i>Niquitin CQ</i>
Nicotine 2mg lozenges sugar free	36	512	C <i>Niquitin CQ</i>
	72	997	C <i>Niquitin CQ</i>
Nicotine 2mg medicated chewing gum sugar free	30	325	C <i>Nicorette</i>
	96	826	C <i>Nicotinell</i>
	105	889	C <i>Nicorette</i>
Nicotine 2mg sublingual tablets	105	984	C <i>Nicorette Microtabs</i>
Nicotine 4mg lozenges sugar free	36	512	C <i>Niquitin CQ</i>
	72	997	C <i>Niquitin CQ</i>
Nicotine 4mg medicated chewing gum sugar free	30	399	C <i>Nicorette</i>
	96	1026	C <i>Nicotinell</i>
	105	1083	C <i>Nicorette</i>
Nicotine 500micrograms/actuation nasal spray	■ 10 ml	1099	C <i>Nicorette</i>
Nicotine 5mg/16hours patches	7	907	C <i>Nicorette</i>
Nifedipine 10mg capsules	84	447	A
	100	400	A
Nifedipine 10mg modified-release capsules	60	625	C <i>Coracten SR</i>
Nifedipine 20mg modified-release capsules	60	867	C <i>Coracten SR</i>
Nifedipine 5mg capsules	84	360	A
	★ 100	332	A
Nifedipine 60mg modified-release tablets	◆ 28	1540	C <i>Adalat LA 60</i>
Nitrazepam 2.5mg/5ml oral suspension	150 ml	530	C <i>Somnite</i>
Nitrazepam 5mg tablets	28	83	A
Nitrofurantoin 100mg capsules	30	576	C <i>Macrochantin</i>
Nitrofurantoin 100mg modified-release capsules	14	489	C <i>Macrobid</i>
Nitrofurantoin 100mg tablets	100	1345	▽ A
Nitrofurantoin 50mg capsules	30	305	C <i>Macrochantin</i>
Nitrofurantoin 50mg tablets	100	726	▽ A
Nizatidine 150mg capsules	30	637	A

BASIC PRICES OF DRUGS

Drug	Quantity	Basic Price	Category
Nizatidine 300mg capsules	30	1283	▽ A
Norethisterone 1mg tablets	36	375	C <i>Micronor HRT</i>
	(3x■12)		
Norethisterone 5mg tablets	30	215	A
Norfloracin 400mg tablets	6	213	A
	14	495	A
Nortriptyline 10mg tablets	100	1240	C <i>Allegron</i>
Nortriptyline 25mg tablets	100	2522	C <i>Allegron</i>
Nystatin 100,000unit pastilles	■ 28	324	C <i>Nystan</i>
Nystatin 100,000unit pessaries	■ 28	196	C <i>Nystan</i>
Nystatin 100,000units/4g application vaginal cream	■ 60 g	277	C <i>Nystan</i>
Nystatin 100,000units/g cream	■ 30 g	218	C <i>Nystan</i>
Nystatin 100,000units/g ointment	■ 30 g	175	C <i>Nystan</i>
Nystatin 100,000units/ml oral suspension	■ 30 ml	205	C <i>Nystan</i>
Nystatin 100,000units/ml oral suspension sugar free	■ 30 ml	196	C <i>Nystamont</i>
Nystatin 500,000unit tablets	56	470	C <i>Nystan</i>
Ofloracin 200mg tablets	10	1064	A
	20	1958	C <i>Tarivid</i>
	100	9790	C <i>Tarivid</i>
Ofloracin 400mg tablets	5	1064	A
	10	2180	A
	50	9749	C <i>Tarivid 400</i>
Olanzapine 10mg oral lyophilisates	28	11219	C <i>Zyprexa Velotab</i>
Olanzapine 10mg tablets	28	9756	C <i>Zyprexa</i>
	56	19511	C <i>Zyprexa</i>
Olanzapine 15mg oral lyophilisates	28	16829	C <i>Zyprexa Velotab</i>
Olanzapine 15mg tablets	28	14634	C <i>Zyprexa</i>
Olanzapine 2.5mg tablets	28	3329	C <i>Zyprexa</i>
Olanzapine 5mg oral lyophilisates	28	5610	C <i>Zyprexa Velotab</i>
Olanzapine 5mg tablets	28	4878	C <i>Zyprexa</i>
Olanzapine 7.5mg tablets	56	14634	C <i>Zyprexa</i>
Oleic acid	500 ml	345	C <i>Loveridge</i>
Olive oil	2 litre	1450	C <i>Thornton & Ross</i>
Olmesartan 10mg tablets	28	1175	C <i>Olmotec</i>
Olmesartan 20mg tablets	28	1410	C <i>Olmotec</i>
Olmesartan 40mg tablets	28	1800	C <i>Olmotec</i>
Olsalazine 250mg capsules	112	2742	C <i>Dipentum</i>
Omeprazole 10mg dispersible gastro-resistant tablets	◆ 28	1934	C <i>Losec MUPS</i>
Omeprazole 10mg gastro-resistant capsules	28	772	A
Omeprazole 10mg gastro-resistant tablets	28	1140	A
Omeprazole 20mg dispersible gastro-resistant tablets	◆ 28	2922	C <i>Losec MUPS</i>

BASIC PRICES OF DRUGS

Drug	Quantity	Basic Price	Category
Omeprazole 20mg gastro-resistant capsules	28	1275	A
Omeprazole 20mg gastro-resistant tablets	28	1275	A
Omeprazole 40mg dispersible gastro-resistant tablets	◆ 7	1461	C <i>Losec MUPS</i>
Omeprazole 40mg gastro-resistant capsules	7	1005	A
Omeprazole 40mg gastro-resistant tablets	7	1005	A
Orange syrup	500 ml	550	C <i>Loveridge</i>
Orange tincture	100 ml	620	C <i>Loveridge</i>
Orciprenaline 10mg/5ml oral solution sugar free	300 ml	226	C <i>Alupent Syrup</i>
Orlistat 120mg capsules	84	4116	C <i>Xenical</i>
Orphenadrine 50mg tablets	100	344	A
Oxazepam 10mg tablets	28	103	A
Oxazepam 15mg tablets	28	113	A
Oxcarbazepine 150mg tablets	50	1000	C <i>Trileptal</i>
Oxcarbazepine 300mg tablets	50	2000	C <i>Trileptal</i>
Oxcarbazepine 600mg tablets	50	4000	C <i>Trileptal</i>
Oxerutins 250mg capsules	120	1305	C <i>Paroven</i>
Oxprenolol 20mg tablets	56	155	C <i>Trasicor</i>
Oxprenolol 40mg tablets	56	311	C <i>Trasicor</i>
Oxprenolol 80mg tablets	56	620	C <i>Trasicor</i>
Oxybutynin 2.5mg tablets	56	297	▽ A
	84	729	△ A
Oxybutynin 2.5mg/5ml oral solution	150 ml	478	C <i>Ditropan</i>
Oxybutynin 3mg tablets	56	915	C <i>Cystrin</i>
Oxybutynin 5mg tablets	★ 56	897	▽ A
	84	2068	A
Oxytetracycline 250mg tablets	28	81	A
Pantoprazole 20mg gastro-resistant tablets	28	1288	C <i>Protium</i>
Pantoprazole 40mg gastro-resistant tablets	28	2365	C <i>Protium</i>
Paracetamol 120mg suppositories	10	925	A
Paracetamol 120mg/5ml oral solution paediatric	2 litre	585	A
Paracetamol 120mg/5ml oral solution paediatric sugar free	2 litre	596	A
	500 ml	160	C <i>AAH</i>
Paracetamol 120mg/5ml oral suspension paediatric	500 ml	206	C <i>Paldesic</i>
Paracetamol 120mg/5ml oral suspension paediatric sugar free	1 litre	345	C <i>Calpol</i>
	150 ml	65	C <i>Medinol</i>
	200 ml	84	A

BASIC PRICES OF DRUGS

Drug	Quantity	Basic Price	Category
Paracetamol 125mg suppositories	10	1150	C <i>Alvedon</i>
Paracetamol 240mg suppositories	10	950	A
Paracetamol 250mg suppositories	10	2300	C <i>Alvedon</i>
Paracetamol 250mg/5ml oral suspension	500 ml	366	A
Paracetamol 250mg/5ml oral suspension sugar free	200 ml	113	A
Paracetamol 500mg / Dihydrocodeine 20mg tablets	56	622	C <i>Remedeine</i>
	112	1242	C <i>Remedeine</i>
Paracetamol 500mg / Dihydrocodeine 30mg tablets	56	767	C <i>Remedeine Forte</i>
Paracetamol 500mg / Metoclopramide 5mg tablets	42	669	C <i>Paramax</i>
Paracetamol 500mg capsules	32	68	A
Paracetamol 500mg soluble tablets	60	282	A
Paracetamol 500mg suppositories	10	990	A
Paracetamol 500mg tablets	16	17	A
	32	23	▽ A
	100	74	A
Paracetamol 60mg suppositories	10	996	C <i>Alvedon</i>
Paraffin hard	500 g	265	A
Paraffin hard MP 43-46°C	500 g	265	C <i>Loveridge</i>
Paroxetine 10mg/5ml oral suspension sugar free	150 ml	2077	C <i>Seroxat Liquid</i>
Paroxetine 20mg tablets	30	1342	▽ A
Paroxetine 30mg tablets	30	3116	A
Penciclovir 1% cream	■ 2 g	420	C <i>Vectavir Cold Sore Cream</i>
Penicillamine 125mg tablets	56	559	△ A
Penicillamine 250mg tablets	56	954	A
Pentazocine 25mg tablets	28	223	A
	100	715	A
Pentazocine 30mg/ml injection 1ml ampoules	10	1671	C <i>Sterwin</i>
Pentazocine 30mg/ml injection 2ml ampoules	10	3214	C <i>Sterwin</i>
Pentazocine 50mg capsules	28	476	△ A
	100	1809	A
Pentoxifylline 400mg modified-release tablets	90	2381	C <i>Trental 400</i>
Peppermint emulsion concentrated	250 ml	325	C <i>Loveridge</i>
Peppermint oil	100 ml	631	▽ A
Peppermint oil 0.2ml gastro-resistant capsules	84	704	C <i>Mintec</i>
Peppermint oil 0.2ml gastro-resistant modified-release capsules	20	275	C <i>Colpermin</i>
	100	1205	C <i>Colpermin</i>
Peppermint water concentrated	100 ml	425	A
Pergolide 1mg tablets	100	15669	▽ A

VIII

BASIC PRICES OF DRUGS

Drug	Quantity	Basic Price	Category
Pergolide 250microgram tablets	100	4301	▽ A
Pergolide 50microgram tablets	100	3076	▽ A
Perindopril 2mg tablets	30	1242	C <i>Coversyl</i>
Perindopril 4mg tablets	30	1242	C <i>Coversyl</i>
Perindopril 8mg tablets	30	1242	C <i>Coversyl</i>
Permethrin 1% scalp application	■ 59 ml	238	C <i>Lyclear Creme Rinse</i>
	■ 118 ml	432	C <i>Lyclear Creme Rinse</i>
Permethrin 5% cream	■ 30 g	552	A
Pethidine 50mg tablets	50	492	A
Pethidine 50mg/ml injection 1ml ampoules	10	526	A
Pethidine 50mg/ml injection 2ml ampoules	10	555	A
Phenelzine 15mg tablets	100	1995	C <i>Nardil</i>
Phenindione 10mg tablets	100	680	A
Phenindione 25mg tablets	100	950	A
Phenindione 50mg tablets	100	1210	A
Phenobarbital 15mg tablets	28	63	A
Phenobarbital 15mg/5ml elixir	500 ml	386	A
Phenobarbital 30mg tablets	28	67	A
Phenobarbital 60mg tablets	28	73	A
Phenol	25 g	315	C <i>Loveridge</i>
Phenol liquefied	200 ml	2023	E
Phenothrin 0.2% lotion	■ 50 ml	222	C <i>Full Marks</i>
	■ 200 ml	570	C <i>Full Marks</i>
Phenothrin 0.5% liquid	■ 50 ml	222	C <i>Full Marks</i>
	■ 200 ml	570	C <i>Full Marks</i>
Phenoxymethylpenicillin 125mg/5ml oral solution	● 100 ml	166	A
Phenoxymethylpenicillin 250mg tablets	28	178	A
Phenoxymethylpenicillin 250mg/5ml oral solution	● 100 ml	229	A
Phenylephrine 10% eye drops	■ 10 ml	338	A
Phenytoin 30mg/5ml oral suspension	500 ml	427	C <i>Epanutin</i>
Phenytoin sodium 100mg capsules	84	283	C <i>Epanutin</i>
Phenytoin sodium 100mg tablets	28	169	A
Phenytoin sodium 25mg capsules	28	66	C <i>Epanutin</i>
Phenytoin sodium 300mg capsules	28	283	C <i>Epanutin</i>
Phenytoin sodium 50mg capsules	28	67	C <i>Epanutin</i>
Pholcodine 10mg/5ml linctus strong	2 litre	656	C <i>Unichem</i>
Pholcodine 10mg/5ml linctus strong sugar free	2 litre	656	A
Pholcodine 2mg/5ml oral solution sugar free	2 litre	352	C <i>Galenphol Paediatric</i>
	■ 90 ml	111	C <i>Galenphol Paediatric</i>
Pholcodine 5mg/5ml linctus	2 litre	590	C <i>Unichem</i>
Pholcodine 5mg/5ml linctus sugar free	2 litre	485	A

BASIC PRICES OF DRUGS

Drug	Quantity	Basic Price	Category
Phosphates enemas (Formula B) 128ml long tube	■ 128 ml	61	C <i>Fletchers</i>
Phosphates enemas (Formula B) 128ml standard tube	■ 128 ml	44	C <i>Fletchers</i>
Phytomenadione 10mg tablets	10	177	C <i>Konakion</i>
Phytomenadione 10mg/ml injection 1ml ampoules	10	431	C <i>Konakion MM</i>
Phytomenadione 2mg/ml injection 0.5ml ampoules	10	230	C <i>Konakion</i>
Pilocarpine hydrochloride 0.5% eye drops	■ 10 ml	144	A
Pilocarpine hydrochloride 1% eye drops	■ 10 ml	107	A
Pilocarpine hydrochloride 2% eye drops	■ 10 ml	119	A
Pilocarpine hydrochloride 3% eye drops	■ 10 ml	144	A
Pilocarpine hydrochloride 4% eye drops	■ 10 ml	158	A
Pimozide 4mg tablets	100	3067	C <i>Orap</i>
Pioglitazone 15mg tablets	◆ 28	2660	C <i>Actos</i>
Pioglitazone 30mg tablets	◆ 28	3696	C <i>Actos</i>
Pioglitazone 45mg tablets	◆ 28	3696	C <i>Actos</i>
Piperazine 4g / Senna 15.3mg oral powder sachets	■ 2	131	C <i>Pripsen</i>
Piroxicam 0.5% gel	■ 60 g	512	A
	■ 112 g	807	▽ A
Piroxicam 10mg capsules	56	278	▽ A
Piroxicam 20mg capsules	28	308	▽ A
Piroxicam 20mg dispersible tablets	28	933	△ A
Pizotifen 1.5mg tablets	◆ 28	414	A
Pizotifen 250micrograms/5ml elixir sugar free	300 ml	451	C <i>Sanomigran</i>
Pizotifen 500microgram tablets	28	119	A
	60	257	C <i>Sanomigran</i>
Podophyllin compound paint	100 ml	499	A
Podophyllin paint	10 ml	68	E
Podophyllum resin	25 g	655	C <i>Loveridge</i>
Potassium bromide	500 g	505	C <i>Loveridge</i>
Potassium bromide mixture	200 ml	44	E
Potassium chlorate	500 g	730	C <i>Loveridge</i>
Potassium chloride	500 g	305	C <i>Loveridge</i>
Potassium chloride 600mg / Potassium bicarbonate 400mg effervescent tablets	100 (5x■20)	765	C <i>Sando-K</i>
Potassium chloride 600mg modified-release tablets	100	275	C <i>Slow K</i>
Potassium citrate	500 g	310	C <i>Loveridge</i>
Potassium citrate mixture	200 ml	77	A
Potassium effervescent tablets	■ 56	420	A
Potassium iodide	250 g	990	C <i>Loveridge</i>

BASIC PRICES OF DRUGS

Drug	Quantity	Basic Price	Category
Potassium iodide ammoniated mixture	200 ml	38	E
Potassium nitrate	500 g	680	C <i>Loveridge</i>
Potassium permanganate	500 g	385	A
Potassium permanganate 0.1% solution	100 ml	1	E
Povidone-iodine 1% mouthwash	250 ml	112	C <i>Betadine Gargle & Mouthwash</i>
Povidone-iodine 1.14% dry powder spray	■ 50 ml	239	C <i>Savlon Dry</i>
Pravastatin 10mg tablets	◆ 28	1541	▽ A
Pravastatin 20mg tablets	◆ 28	2820	▽ A
Pravastatin 40mg tablets	◆ 28	2850	▽ A
Prazosin 1mg tablets	56	323	C <i>Hypovase</i>
Prazosin 2mg tablets	56	439	C <i>Hypovase</i>
Prazosin 500microgram tablets	56	251	C <i>Hypovase</i>
Prednisolone 1mg tablets	28	53	A
Prednisolone 2.5mg gastro-resistant tablets	30	31	C <i>Deltacortril</i>
	★ 100	68	C <i>Deltacortril</i>
Prednisolone 25mg tablets	56	967	A
Prednisolone 5mg gastro-resistant tablets	30	51	C <i>Deltacortril</i>
	★ 100	122	C <i>Deltacortril</i>
Prednisolone 5mg soluble tablets	30	220	A
Prednisolone 5mg tablets	28	68	A
Prednisolone acetate 1% eye drops	■ 5 ml	152	C <i>Pred Forte</i>
	■ 10 ml	305	C <i>Pred Forte</i>
Prednisolone sodium phosphate 0.5% ear/eye drops	■ 10 ml	238	C <i>Predsol Ear / Eye Drops</i>
Primidone 250mg tablets	100	1260	△ C <i>Mysoline</i>
Prochlorperazine 25mg suppositories	10	1232	C <i>Stemetil</i>
Prochlorperazine 3mg buccal tablets	50	575	C <i>Buccastem</i>
Prochlorperazine 5mg effervescent granule sachets sugar free	21	695	C <i>Stemetil Eff</i>
Prochlorperazine 5mg suppositories	10	940	C <i>Stemetil</i>
Prochlorperazine 5mg tablets	28	167	A
	84	468	A
Prochlorperazine 5mg/5ml oral solution	100 ml	374	C <i>Stemetil Syrup</i>
Procyclidine 2.5mg/5ml oral solution sugar free	150 ml	449	C <i>Arpicolin Syrup</i>
Procyclidine 5mg tablets	28	150	A
Procyclidine 5mg/5ml oral solution sugar free	150 ml	802	C <i>Arpicolin Syrup</i>
Proflavine 0.1% cream	100 ml	81	C <i>Loveridge</i>
	★ 500 ml	265	A
Proflavine 0.1% solution	100 ml	9	E
Proflavine hemisulphate	25 g	1475	C <i>Loveridge</i>

BASIC PRICES OF DRUGS

Drug	Quantity	Basic Price	Category
Proguanil 100mg tablets	♦ 98	743	C <i>Paludrine</i>
Promazine 25mg tablets	250	648	A
Promazine 25mg/5ml oral solution	150 ml	351	A
Promazine 50mg tablets	250	1095	A
Promazine 50mg/5ml oral solution	150 ml	351	A
Promethazine 5mg/5ml oral solution	100 ml	161	C <i>Phenergan Elixir</i>
Promethazine hydrochloride 10mg tablets	56	171	C <i>Phenergan</i>
Promethazine hydrochloride 25mg tablets	56	255	C <i>Phenergan</i>
Propafenone 150mg tablets	90	2357	C <i>Arythmol</i>
Propafenone 300mg tablets	60	2357	C <i>Arythmol</i>
Propranolol 10mg tablets	28	59	A
Propranolol 160mg tablets	56	237	A
Propranolol 40mg tablets	28	65	A
Propranolol 80mg tablets	56	96	A
Propylene glycol	500 ml	290	C <i>Loveridge</i>
Propylthiouracil 50mg tablets	56	2490	A
	100	4452	A
Pseudoephedrine 30mg/5ml linctus sugar free	2 litre	1375	C <i>Galpseud</i>
Pseudoephedrine 30mg/5ml oral solution	1 litre	843	C <i>Sudafed Elixir</i>
Pseudoephedrine 60mg tablets	100	528	C <i>Sudafed</i>
Purified talc	500 g	325	C <i>Loveridge</i>
Purified water	5 litre	172	A
Pyridostigmine bromide 60mg tablets	200	5015	C <i>Mestinon</i>
Pyridoxine 50mg tablets	28	53	A
Quetiapine 100mg tablets	60	11310	C <i>Seroquel</i>
Quetiapine 150mg tablets	60	11310	C <i>Seroquel</i>
Quetiapine 200mg tablets	60	11310	C <i>Seroquel</i>
Quetiapine 25mg tablets	60	2820	C <i>Seroquel</i>
Quetiapine 300mg tablets	60	17000	C <i>Seroquel</i>
Quinapril 10mg tablets	♦ 28	808	▽ A
Quinapril 20mg tablets	♦ 28	989	▽ A
Quinapril 40mg tablets	♦ 28	925	▽ A
Quinapril 5mg tablets	♦ 28	802	▽ A
Quinine bisulphate 300mg tablets	28	145	A
	500	1946	▽ A
Quinine sulphate 200mg tablets	28	147	A
Quinine sulphate 300mg tablets	♦ 28	130	A
	500	1976	▽ A
Rabeprazole 10mg gastro-resistant tablets	♦ 28	1243	C <i>Pariet</i>

BASIC PRICES OF DRUGS

Drug	Quantity	Basic Price	Category
Rabeprazole 20mg gastro-resistant tablets	◆ 28	2275	C <i>Pariet</i>
Raloxifene 60mg tablets	◆ 28	2174	C <i>Evista</i>
	◆ 84	6521	C <i>Evista</i>
Ramipril 1.25mg capsules	28	429	▽ A
Ramipril 1.25mg tablets	◆ 28	466	▽ A
Ramipril 10mg capsules	28	1103	▽ A
Ramipril 10mg tablets	◆ 28	1181	▽ A
Ramipril 2.5mg capsules	28	601	▽ A
Ramipril 2.5mg tablets	◆ 28	646	▽ A
Ramipril 5mg capsules	28	826	▽ A
Ramipril 5mg tablets	◆ 28	877	▽ A
Ranitidine 150mg effervescent tablets	60 (4x■15)	2557	▽ A
Ranitidine 150mg tablets	◆ 60	722	▽ A
Ranitidine 300mg effervescent tablets	30 (2x■15)	2455	▽ A
Ranitidine 300mg tablets	◆ 30	722	▽ A
Ranitidine 75mg/5ml oral solution sugar free	300 ml	2232	A
Ranitidine bismuth citrate 400mg tablets	◆ 14	1300	C <i>Pylorid</i>
Raspberry syrup	500 ml	410	C <i>Loveridge</i>
Reboxetine 4mg tablets	60	1891	C <i>Edronax</i>
Rifampicin 150mg capsules	100	1816	A
Rifampicin 300mg capsules	100	3584	A
Risedronate sodium 30mg tablets	◆ 28	15281	C <i>Actonel</i>
Risedronate sodium 35mg tablets	■ 4	2183	C <i>Actonel Once Weekly</i>
Risedronate sodium 5mg tablets	◆ 28	2183	C <i>Actonel</i>
Risperidone 1mg orodispersible tablets	28	2130	C <i>Risperdal Quicklet</i>
Risperidone 1mg tablets	20	1345	C <i>Risperdal</i>
Risperidone 1mg/ml oral liquid	■ 100 ml	6500	C <i>Risperdal</i>
Risperidone 2mg orodispersible tablets	28	4014	C <i>Risperdal Quicklet</i>
Risperidone 2mg tablets	60	7956	C <i>Risperdal</i>
Risperidone 3mg tablets	60	11700	C <i>Risperdal</i>
Risperidone 4mg tablets	60	15444	C <i>Risperdal</i>
Risperidone 500microgram tablets	20	767	C <i>Risperdal</i>
Risperidone 6mg tablets	28	10920	C <i>Risperdal</i>
Rosiglitazone 4mg tablets	28	2660	C <i>Avandia</i>
	56	5320	C <i>Avandia</i>
Rosiglitazone 8mg tablets	28	5460	C <i>Avandia</i>
Rosuvastatin 10mg tablets	◆ 28	1803	C <i>Crestor</i>
Rosuvastatin 20mg tablets	◆ 28	2969	C <i>Crestor</i>
Rosuvastatin 40mg tablets	◆ 28	2969	C <i>Crestor</i>
Saccharin sodium	25 g	290	C <i>Loveridge</i>

BASIC PRICES OF DRUGS

Drug	Quantity	Basic Price	Category
Salbutamol 100micrograms/ actuation inhaler	■ 200 dose	179	A
Salbutamol 100micrograms/ actuation inhaler CFC free	■ 200 dose	179	A
Salbutamol 1mg/ml nebuliser liquid 2.5ml unit dose vials	20	265	▽ C <i>Salamol</i>
Salbutamol 200microgram inhalation powder capsules	120	514	C <i>Salbutamol 200 Cyclocaps</i>
Salbutamol 200micrograms/ actuation dry powder inhaler	■ 60 dose	550	C <i>Ventolin Accuhaler</i>
	■ 100 dose	505	C <i>Pulvinal Salbutamol</i>
Salbutamol 2mg tablets	28	83	A
Salbutamol 2mg/5ml oral solution sugar free	150 ml	64	A
Salbutamol 2mg/ml nebuliser liquid 2.5ml unit dose vials	20	530	▽ C <i>Salamol</i>
Salbutamol 400microgram inhalation powder capsules	120	869	C <i>Salbutamol 400 Cyclocaps</i>
Salbutamol 4mg modified-release tablets	◆ 56	1055	C <i>Volmax</i>
Salbutamol 4mg tablets	28	152	A
Salbutamol 8mg modified-release tablets	◆ 56	1266	C <i>Volmax</i>
Salbutamol 95micrograms/actuation dry powder inhaler	■ 200 dose	632	C <i>Asmasal Clickhaler</i>
Salicylic acid	500 g	520	A
Salicylic acid 2% / Betamethasone dipropionate 0.05% scalp application	■ 100 ml	1050	C <i>Diprosalic</i>
Salicylic acid 2% lotion	500 ml	173	E
Salicylic acid 2% ointment	450 g	345	A
Salicylic acid 3% / Betamethasone dipropionate 0.05% ointment	■ 30 g	330	C <i>Diprosalic</i>
	■ 100 g	950	C <i>Diprosalic</i>
Salicylic acid 3% / Sulphur 3% ointment	500 g	210	E
Salmeterol 25micrograms/actuation inhaler	■ 120 dose	3146	C <i>Serevent</i>
Salmeterol 50micrograms/actuation dry powder inhaler	■ 60 dose	3146	C <i>Serevent Accuhaler</i>
Selegiline 10mg tablets	◆ 28	1079	▽ A
	30	1121	▽ A
Selegiline 5mg tablets	◆ 56	1112	△ A
	60	1163	▽ A
Senna 15mg/5ml granules	100 g	310	C <i>Senokot</i>

VIII

BASIC PRICES OF DRUGS

Drug	Quantity	Basic Price	Category
Senna 7.5mg tablets	60	86	A
	500	738	C <i>Senokot</i>
Senna 7.5mg/5ml oral solution	100 ml	237	C <i>Senokot Liquid</i>
	500 ml	269	C <i>Senokot Liquid</i>
Senna fruit 12.4% / Ispaghula 54.2% granules	■ 400 g	749	C <i>Manevac</i>
Sertraline 100mg tablets	◆ 28	2916	C <i>Lustral</i>
Sertraline 50mg tablets	◆ 28	1782	C <i>Lustral</i>
Sibutramine 10mg capsules	◆ 28	4129	△ C <i>Reductil</i>
Sibutramine 15mg capsules	◆ 28	4514	C <i>Reductil</i>
§ Sildenafil 100mg tablets	4	2350	C <i>Viagra</i>
§	8	4699	C <i>Viagra</i>
§ Sildenafil 25mg tablets	4	1659	C <i>Viagra</i>
§	8	3319	C <i>Viagra</i>
§ Sildenafil 50mg tablets	4	2127	C <i>Viagra</i>
§	8	4254	C <i>Viagra</i>
Silver nitrate 95% caustic pencil	■ 1	178	C <i>Avoca Wart Treatment Set</i>
Silver sulfadiazine 1% cream	■ 50 g	411	C <i>Flamazine</i>
Simple eye ointment	■ 4 g	268	A
Simple linctus	2 litre	361	A
Simple linctus paediatric	2 litre	335	A
Simple linctus sugar free	2 litre	330	C <i>Unichem</i>
	200 ml	63	A
Simvastatin 10mg tablets	◆ 28	578	A
Simvastatin 20mg tablets	◆ 28	780	A
Simvastatin 40mg tablets	◆ 28	1560	A
Simvastatin 80mg tablets	◆ 28	2877	A
Soap liniment methylated	500 ml	258	A
Soap spirit methylated	500 ml	205	A
Sodium bicarbonate	1.5 kg	260	A
Sodium bicarbonate 500mg capsules	56	1701	A
Sodium bicarbonate 600mg tablets	100	248	C <i>Ivax Pharm</i>
Sodium bicarbonate mixture paediatric	100 ml	20	E
Sodium chloride	500 g	200	C <i>Loveridge</i>
Sodium chloride 0.9% eye drops	■ 10 ml	236	A
Sodium chloride 0.9% intravenous infusion 100ml vials	■ 1	201	A
Sodium chloride 0.9% intravenous infusion 10ml ampoules	10	360	A
Sodium chloride 0.9% intravenous infusion 20ml ampoules	10	1036	A
Sodium chloride 0.9% intravenous infusion 2ml ampoules	10	244	A
Sodium chloride 0.9% intravenous infusion 50ml ampoules	10	2009	C <i>Martindale</i>
Sodium chloride 0.9% intravenous infusion 50ml vials	■ 1	208	A

BASIC PRICES OF DRUGS

Drug	Quantity	Basic Price	Category
Sodium chloride 0.9% intravenous infusion 5ml ampoules	10	326	A
Sodium chloride 0.9% solution	100 ml	4	E
Sodium chloride compound mixture	200 ml	9	E
Sodium chloride compound mouthwash	200 ml	13	E
Sodium citrate	500 g	360	C <i>Loveridge</i>
Sodium cromoglicate 2% eye drops ■	13.5 ml	196	A
Sodium cromoglicate 4% nasal spray ■	22 ml	1910	C <i>Rynacrom</i>
Sodium cromoglicate 5mg/actuation inhaler ■	112 dose	1530	C <i>Cromogen</i>
Sodium dihydrogen phosphate dihydrate	500 g	470	C <i>Loveridge</i>
Sodium feredetate 190mg/5ml oral solution sugar free	500 ml	471	C <i>Sytron Elixir</i>
Sodium fluoride 0.37% oral drops sugar free ■	60 ml	182	C <i>En-De-Kay Fluodrops</i>
Sodium fluoride 1.1mg chewable tablets	200	191	C <i>Fluorigard 500mcg Fluotabs</i>
Sodium fluoride 1.1mg tablets	200	180	C <i>En-De-Kay Fluotabs 3-6 years</i>
Sodium fluoride 2.2mg chewable tablets	200	191	C <i>Fluorigard 1mg</i>
Sodium fluoride 2.2mg tablets	200	180	C <i>En-De-Kay Fluotabs 6+ years</i>
Sodium fusidate 2% ointment ■	15 g	223	C <i>Fucidin</i>
■	30 g	379	C <i>Fucidin</i>
Sodium metabisulphite	500 g	265	C <i>Loveridge</i>
Sodium picosulfate 5mg/5ml oral solution sugar free	100 ml	185	C <i>Laxoberal Liquid</i>
	300 ml	440	C <i>Laxoberal Liquid</i>
Sodium salicylate	250 g	320	C <i>Loveridge</i>
Sodium valproate 100mg tablets	100	389	C <i>Epilim</i>
Sodium valproate 200mg gastro-resistant tablets	100	561	A
Sodium valproate 200mg/5ml oral solution	300 ml	648	C <i>Epilim Syrup</i>
Sodium valproate 200mg/5ml oral solution sugar free	300 ml	568	△ A
Sodium valproate 500mg gastro-resistant tablets	100	1441	A
Sotalol 160mg tablets ◆	28	608	△ A
Sotalol 200mg tablets	28	415	C <i>Beta-Cardone</i>
Sotalol 40mg tablets	56	222	C <i>Beta-Cardone</i>
	100	396	C <i>Beta-Cardone</i>
Sotalol 80mg tablets	56	329	C <i>Beta-Cardone</i>
	100	587	C <i>Beta-Cardone</i>
Spironolactone 100mg tablets	28	463	A
Spironolactone 25mg tablets	28	210	A
Spironolactone 50mg tablets	28	449	A
	30	353	A

VIII

BASIC PRICES OF DRUGS

Drug	Quantity	Basic Price	Category
Squill oxymel	2 litre	1352	A
Stearic acid	500 g	370	C <i>Loveridge</i>
Sucralfate 1g tablets	100	875	C <i>Antepsin</i>
Sucrose	1 kg	66	C
Sulfasalazine 500mg gastro-resistant tablets	100	919	A
	112	843	C
Sulfasalazine 500mg tablets	112	729	▽ A
	500	3369	A
Sulindac 100mg tablets	56	745	A
Sulindac 200mg tablets	56	1300	A
Sulphur precipitated	500 g	245	C <i>Unichem</i>
Sulphur sublimed	500 g	230	A
Sulphuric acid dilute	500 ml	280	C <i>Loveridge</i>
Sulpiride 200mg tablets	30	477	A
	56	593	▽ A
	100	1498	A
Sulpiride 400mg tablets	30	1081	▽ A
	100	3629	C <i>Dolmatil</i>
Sumatriptan 100mg tablets	6	4800	C <i>Imigran</i>
Sumatriptan 10mg unit dose nasal spray	2 (2x■1)	1320	C <i>Imigran</i>
Sumatriptan 12mg/ml injection 0.5ml pre-filled syringes	■ 2	4752	C <i>Imigran Subject</i>
Sumatriptan 12mg/ml injection 0.5ml syringe refill	■ 2	4521	C <i>Imigran Subject</i>
	6 (3x■2)	13562	C <i>Imigran Subject</i>
Sumatriptan 20mg unit dose nasal spray	2 (2x■1)	1320	C <i>Imigran</i>
	6 (6x■1)	3960	C <i>Imigran</i>
Sumatriptan 50mg tablets	6	2970	C <i>Imigran 50</i>
	12	5643	C <i>Imigran 50</i>
Surgical spirit	2 litre	396	A
Syrup	2 litre	322	A
Syrup unpreserved	2 litre	395	A
Tacrolimus 1mg capsules	50 (5x■10)	9293	C <i>Prograf</i>
Tacrolimus 500microgram capsules	50 (5x■10)	7156	C <i>Prograf</i>
Tacrolimus 5mg capsules	50 (5x■10)	34334	C <i>Prograf</i>
§ Tadalafil 10mg tablets	4	2127	C <i>Cialis</i>
§ Tadalafil 20mg tablets	4	2127	C <i>Cialis</i>
§	8	4254	C <i>Cialis</i>
Tamoxifen 10mg tablets	30	197	A
Tamoxifen 20mg tablets	30	225	△ A

BASIC PRICES OF DRUGS

Drug	Quantity	Basic Price	Category
Tamoxifen 40mg tablets	30	842	A
Tamsulosin 400microgram modified-release capsules	30	2220	C <i>Flomax MR</i>
Tartaric acid	500 g	730	C <i>Loveridge</i>
Telmisartan 20mg tablets	◆ 28	1260	C <i>Micardis</i>
Telmisartan 40mg tablets	◆ 28	1260	C <i>Micardis</i>
Telmisartan 80mg tablets	◆ 28	1575	C <i>Micardis</i>
Temazepam 10mg tablets	28	95	A
Temazepam 10mg/5ml oral solution sugar free	500 300 ml	1420 995	▽ A A
Temazepam 20mg tablets	28 250	165 1195	A ▽ A
Tenoxicam 20mg tablets	28	1347	A
Terazosin 10mg tablets	28	2509	△ A
Terazosin 2mg tablets	28	751	△ A
Terazosin 5mg tablets	28	1233	A
Terbinafine 1% cream	■ 15 g ■ 30 g	486 876	C <i>Lamisil</i> C <i>Lamisil</i>
Terbinafine 1% spray	■ 15 ml	313	C <i>Lamisil AT</i>
Terbinafine 250mg tablets	◆ 14 ◆ 28	2316 4466	C <i>Lamisil</i> C <i>Lamisil</i>
Terbutaline 1.5mg/5ml oral solution sugar free	300 ml	260	C <i>Bricanyl</i>
Terbutaline 250micrograms/ actuation inhaler	■ 400 dose	584	C <i>Bricanyl</i>
Terbutaline 500micrograms/ actuation dry powder inhaler	■ 100 dose	692	C <i>Bricanyl Turbohaler</i>
Terbutaline 5mg tablets	100	409	C <i>Bricanyl</i>
Testosterone 40mg capsules	28 56	830 1660	C <i>Restandol</i> C <i>Restandol</i>
Testosterone 50mg gel sachets	30	3300	C <i>Testogel</i>
Tetrabenazine 25mg tablets	112	10000	C <i>Xenazine</i>
Tetracycline 250mg tablets	28	101	A
Theophylline 125mg modified- release capsules	56	290	C <i>Slo-Phyllin</i>
Theophylline 175mg modified- release tablets	60	343	C <i>Nuelin SA</i>
Theophylline 250mg modified- release capsules	56	362	C <i>Slo-Phyllin</i>
Theophylline 250mg modified- release tablets	60	480	C <i>Nuelin SA-250</i>
Theophylline 400mg modified- release tablets	56	744	C <i>Uniphyllin Continus</i>
Theophylline 60mg modified- release capsules	56	230	C <i>Slo-Phyllin</i>
Thiamine 100mg tablets	100	616	C <i>Benerva</i>
Thiamine 50mg tablets	100	398	C <i>Benerva</i>
Thioridazine 100mg tablets	28 84	222 686	A C <i>Melleril</i>
Thioridazine 10mg tablets	84	110	C <i>Melleril</i>

BASIC PRICES OF DRUGS

Drug	Quantity	Basic Price	Category	
Thioridazine 25mg tablets	84	183	C	<i>Melleril</i>
	100	174	A	
Thioridazine 25mg/5ml oral solution	150 ml	80	▽ A	
Thioridazine 50mg tablets	28	160	A	
	84	355	C	<i>Melleril</i>
Thymol glycerin compound mouthwash	200 ml	52	C	<i>Thornton & Ross</i>
Tiaprofenic acid 300mg modified-release capsules	◆ 56	2048	C	<i>Surgam SA</i>
Tibolone 2.5mg tablets	◆ 28	1305	C	<i>Livial</i>
Timolol 0.25% eye drops	■ 5 ml	378	△ A	
Timolol 0.5% eye drops	■ 5 ml	413	△ A	
Timolol 10mg tablets	30	245	C	<i>Betim</i>
Tinidazole 500mg tablets	20	1380	C	<i>Fasigyn</i>
Tioconazole 28.3% nail solution	■ 12 ml	2738	C	<i>Trosyl</i>
Tizanidine 2mg tablets	120	7750	A	
Tizanidine 4mg tablets	120	9688	A	
Tolbutamide 500mg tablets	28	110	A	
Tolterodine 1mg tablets	56	2903	C	<i>Detrusitol</i>
Tolterodine 2mg tablets	56	3056	C	<i>Detrusitol</i>
Torasemide 10mg tablets	◆ 28	875	C	<i>Torem 10</i>
Torasemide 2.5mg tablets	◆ 28	406	C	<i>Torem 2.5</i>
Torasemide 5mg tablets	◆ 28	595	C	<i>Torem 5</i>
Tragacanth	500 g	4740	△ C	<i>Loveridge</i>
Tramadol 100mg modified-release tablets	60	1826	C	<i>Zydol SR 100</i>
Tramadol 150mg modified-release tablets	60	2739	C	<i>Zydol SR 150</i>
Tramadol 200mg modified-release tablets	60	3652	C	<i>Zydol SR 200</i>
Tramadol 50mg capsules	30	172	▽ A	
	100	802	▽ A	
Trandolapril 2mg capsules	◆ 28	922	△ C	<i>Gopten</i>
Trandolapril 4mg capsules	◆ 28	1424	C	<i>Gopten</i>
Trandolapril 500microgram capsules	◆ 14	265	C	<i>Gopten</i>
Tranexamic acid 500mg tablets	60	1363	△ A	
Tranlycypromine 10mg tablets	28	508	A	
Trazodone 100mg capsules	56	2046	A	
Trazodone 150mg tablets	◆ 28	1206	A	
Trazodone 50mg capsules	84	1676	A	
Triamcinolone 0.1% oromucosal paste	■ 10 g	127	C	<i>Adcortyl in Orabase</i>
Triamcinolone 55micrograms/actuation nasal spray	■ 120 dose	960	C	<i>Nasacort</i>
Triamterene 50mg / Furosemide 40mg tablets	◆ 56	454	C	<i>Frusene</i>
	100	810	C	<i>Frusene</i>
Triamterene 50mg capsules	30	1735	C	<i>Dytac</i>
Triclofos 500mg/5ml oral solution	300 ml	2783	A	

BASIC PRICES OF DRUGS

Drug	Quantity	Basic Price	Category
Trifluoperazine 10mg modified-release capsules	30	283	C <i>Stelazine</i>
Trifluoperazine 15mg modified-release capsules	30	427	C <i>Stelazine</i>
Trifluoperazine 1mg tablets	100	286	A
Trifluoperazine 5mg tablets	100	381	A
	112	489	C <i>Stelazine</i>
Trifluoperazine 5mg/5ml oral solution sugar free	150 ml	830	A
Trihexyphenidyl 2mg tablets	84	242	A
	100	276	A
Trihexyphenidyl 5mg tablets	100	383	A
Trimethoprim 100mg tablets	28	68	A
Trimethoprim 200mg tablets	14	68	A
Trimethoprim 50mg/5ml oral suspension sugar free	100 ml	177	C
Trimipramine 10mg tablets	84	1149	C <i>Surmontil</i>
Trimipramine 25mg tablets	84	1516	C <i>Surmontil</i>
Trimipramine 50mg capsules	28	851	C <i>Surmontil</i>
Turpentine oil	500 ml	325	C <i>Loveridge</i>
Ursodeoxycholic acid 150mg tablets	60	1851	A
Ursodeoxycholic acid 250mg capsules	60	3511	A
Valaciclovir 500mg tablets	10	2350	C <i>Valtrex</i>
	42	9850	C <i>Valtrex</i>
Valdecoxib 10mg tablets	30	2312	C <i>Bextra</i>
Valdecoxib 20mg tablets	30	2312	C <i>Bextra</i>
Valdecoxib 40mg tablets	5	385	C <i>Bextra</i>
Valproic acid 250mg gastro-resistant tablets	90	4319	C <i>Depakote</i>
Valproic acid 500mg gastro-resistant tablets	90	7219	C <i>Depakote</i>
Valsartan 160mg capsules	♦ 28	2166	C <i>Diovan</i>
Valsartan 40mg capsules	♦ 7	369	C <i>Diovan</i>
Valsartan 80mg capsules	♦ 28	1644	C <i>Diovan</i>
§ Vardenafil 10mg tablets	4	1934	C <i>Levitra</i>
§	8	3867	C <i>Levitra</i>
§ Vardenafil 20mg tablets	4	2350	C <i>Levitra</i>
§	8	4699	C <i>Levitra</i>
§ Vardenafil 5mg tablets	4	1658	C <i>Levitra</i>
§	8	3319	C <i>Levitra</i>
Venlafaxine 150mg modified-release capsules	♦ 28	3997	C <i>Efexor XL</i>
Venlafaxine 37.5mg tablets	♦ 56	2397	C <i>Efexor</i>

VIII

BASIC PRICES OF DRUGS

Drug	Quantity	Basic Price	Category
Venlafaxine 75mg modified-release capsules	◆ 28	2397	C <i>Efexor XL</i>
Venlafaxine 75mg tablets	◆ 56	3997	C <i>Efexor</i>
Verapamil 120mg modified-release capsules	◆ 28	751	C <i>Univer</i>
Verapamil 120mg modified-release tablets	◆ 28	818	C <i>Half - Securon SR</i>
Verapamil 120mg tablets	28	125	▽ A
	100	359	A
Verapamil 160mg tablets	56	330	▽ A
Verapamil 180mg modified-release capsules	◆ 56	1815	C <i>Univer</i>
Verapamil 240mg modified-release capsules	◆ 28	1224	C <i>Univer</i>
Verapamil 240mg modified-release tablets	◆ 28	1064	C
Verapamil 40mg tablets	84	155	▽ A
Verapamil 80mg tablets	84	209	A
Vigabatrin 500mg oral powder sachets sugar free	50	2324	C <i>Sabril</i>
Vigabatrin 500mg tablets	100	4283	C <i>Sabril</i>
Vitamin B compound strong tablets	28	41	A
Vitamins A and D capsules	84	270	A
Vitamins B and C high potency intramuscular injection 5ml + 2ml ampoules	10	2071	C <i>Pabrinex</i>
Vitamins B and C high potency intravenous injection 5ml + 5ml ampoules	10	2071	C <i>Pabrinex</i>
Vitamins capsules	1000	1127	△ A
Warfarin 1mg tablets	28	141	A
Warfarin 3mg tablets	28	155	A
Warfarin 500microgram tablets	28	100	A
Warfarin 5mg tablets	28	170	A
Water for injection 100ml vials	■ 1	226	A
Water for injection 10ml ampoules	10	311	A
Water for injection 1ml ampoules	10	177	A
Water for injection 20ml ampoules	10	545	C <i>Martindale</i>
Water for injection 2ml ampoules	10	173	A
Water for injection 5ml ampoules	10	282	A
White liniment	2 litre	552	A
	500 ml	190	C <i>AAH</i>
White soft paraffin	500 g	160	A
Wild cherry syrup	2 litre	1453	C <i>AAH</i>
Wool alcohols ointment	450 g	395	C <i>Thornton & Ross</i>
Wool fat	500 g	785	C <i>Loveridge</i>

BASIC PRICES OF DRUGS

Drug	Quantity	Basic Price	Category
Xipamide 20mg tablets	◆ 140	2092	C <i>Diurexan</i>
Xylometazoline 0.05% nasal drops	■ 10 ml	159	C <i>Otrivine</i>
Xylometazoline 0.1% nasal drops	■ 10 ml	191	C <i>Otrivine</i>
Xylometazoline 0.1% nasal spray	■ 10 ml	191	C <i>Otrivine</i>
Yellow soft paraffin	500 g	165	A
Zafirlukast 20mg tablets	◆ 56	2826	C <i>Accolate</i>
Zaleplon 10mg capsules	14	404	C <i>Sonata</i>
Zaleplon 5mg capsules	14	336	C <i>Sonata</i>
Zinc and Castor oil ointment	500 g	288	△ A
Zinc and Salicylic acid paste	500 g	340	A
Zinc compound paste	500 g	317	A
Zinc ointment	500 g	310	C <i>Loveridge</i>
Zinc oxide	500 g	280	C <i>Loveridge</i>
Zinc oxide 12.5% / Dimeticone 1.04% spray	■ 115 g	354	C <i>Sprilon</i>
Zinc sulphate	500 g	265	C <i>Loveridge</i>
Zinc sulphate 0.25% eye drops	■ 10 ml	315	A
Zinc sulphate 1% lotion	200 ml	3	E
Zinc sulphate 1% mouthwash	200 ml	3	E
Zolmitriptan 2.5mg orodispersible tablets	6	2400	C <i>Zomig Rapimelt</i>
Zolmitriptan 2.5mg tablets	6	2400	C <i>Zomig</i>
Zolmitriptan 12mg tablets	12	4800	C <i>Zomig</i>
Zolmitriptan 50mg/ml nasal spray 0.1ml unit dose	6 (6x■1)	4050	C <i>Zomig</i>
Zolmitriptan 5mg orodispersible tablets	6	2616	C <i>Zomig Rapimelt</i>
Zolpidem 10mg tablets	28	402	A
Zolpidem 5mg tablets	28	274	A
Zopiclone 3.75mg tablets	28	307	A
Zopiclone 7.5mg tablets	28	442	△ A
Zuclopenthixol 10mg tablets	100	867	C <i>Clopixol</i>
Zuclopenthixol 25mg tablets	100	1733	C <i>Clopixol</i>
Zuclopenthixol 2mg tablets	■ 100	321	C <i>Clopixol</i>
Zuclopenthixol acetate 50mg/ml injection 1ml ampoules	5	2602	C <i>Clopixol Acuphase</i>
Zuclopenthixol acetate 50mg/ml injection 2ml ampoules	5	5014	C <i>Clopixol Acuphase</i>
Zuclopenthixol decanoate 200mg/ml injection 1ml ampoules	10	3388	C <i>Clopixol</i>
Zuclopenthixol decanoate 500mg/ml injection 1ml ampoules	5	3998	C <i>Clopixol-Conc</i>

VIII

BASIC PRICES OF DRUGS

Drug	Quantity	Basic Price	Category
------	----------	-------------	----------

This Page is Intentionally Blank

APPLIANCES (APPROVED LIST OF APPLIANCES - NOTES)

APPROVED LIST OF APPLIANCES

See Part II, Clause 8A (page 6)

The price listed in respect of an appliance specified in the following list is the basic price (see Part II, Clause 8) on which payment will be calculated pursuant to Part II, Clause 6 in respect of the dispensing of appliances.

NOTES

1. **Definition** - The appliances that may be supplied against orders on Forms FP10 are listed below and must conform with the specifications shown. See Part 1, Clause 2 (page 3). These specifications include published official standards ie BP, BPC or relevant British, European or International Standards or the Drug Tariff Technical Specification. It should be emphasized that any appliance must conform with the entry in this part of the Tariff as well as the official standard or technical specification quoted therein. Other dressings and appliances which may be necessary will normally be provided through the Hospital Services.
2. **Sealed Packets** - These are those which are "tamper-evident" - sealed with an easily detachable device that prevents removal of the contents without the seal being broken. Additionally in the case of sterile products: once a sealed package has been opened it should not be possible to re-seal it easily. Where an appliance, other than a bandage, required by the Tariff to be supplied in a sealed packet is ordered of a quantity or weight not listed in the Tariff, the quantity ordered should be made up as nearly as possible with the smallest numbers of sealed packets available for the purpose. Where the quantity ordered is less than the smallest quantity/weight, supply the smallest pack. The quantity of material in each packet supplied should be recorded on the prescription form.
3. **Quality Systems** - Non CE marked sterile products shall be manufactured in accordance with the requirements and guidance given in the Department of Health "Quality Systems for Sterile Medical Devices and Surgical Products - Good Manufacturing Practice" (HMSO, ISBN0-11-321341-7), which is the basis of the DH Manufacturer Registration Scheme (MRS) for such products.

Details of this scheme may be obtained from the MRS Registration Officer, Medicines and Health products Regulatory Agency, Hannibal House, Elephant & Castle, London SE1 6TQ.

Manufacturers who have received approval to CE mark their sterile products have demonstrated that these meet the essential requirements of the Medical Devices Regulations 1994, which incorporate quality system requirements.
4. **Weights** - All weights specified in the Tariff in respect of appliances are exclusive of wrappings and packing material.
5. **Invoice price** - This is the price chargeable for the appliance to the contractor by the manufacturer, wholesaler or supplier.
6. **Technical Specifications** - Numbered Technical Specifications for the items in Part IXA/B/C were published separately in 1981 in loose leaf volume and a revised list was published in 1983. The Specifications will not be reprinted annually but individual specifications will be introduced, amended and reprinted, or withdrawn, as necessary. A list of Technical Specifications is given on pages 91/92. CE marked Devices have shown that they meet the essential requirements of the Medical Devices Regulations 1994 and there is no further need for them to demonstrate compliance with other specifications, such as those referred to above.
7. **Nurse Prescribing** - The items within Part IXA and Part IXR which are **not** prescribable by nurses on form FP10(CN) or FP10(PN) are annotated ☒. See Part XVIIIB for details of Nurse Prescribing.

Transitional Arrangements Arising from CE Marking

1. After 14 June 1998 all products in Part IX which fall within the definition of a Medical Device (as defined in the Medical Devices Regulation 1994) will have to carry a CE marking.
2. Until this date products listed may conform **either** to a specification **or** will meet the requirements of the Medical Devices Regulations.
3. Companies are progressively CE marking their ranges of products already listed in Part IX. For practical reasons we do not intend to identify products individually as they gain their CE marking.

APPLIANCES (APPROVED LIST OF APPLIANCES - NOTES)

This Page is Intentionally Blank

APPLIANCES (LIST OF TECHNICAL SPECIFICATIONS)

LIST OF TECHNICAL SPECIFICATIONS

These specifications are available from:

**Pharmaceutical Directorate
Prescription Pricing Authority
Bridge House
152 Pilgrim Street
Newcastle upon Tyne
NE1 6SN**

	Spec No.	Date of last revision
Absorbent Cotton, Hospital Quality	1	1981
Bandages		
Elastic Web with Foot Loop	2a	1983
Elastic Web without Foot Loop	2b	1983
High Compression (Extensible)	52	5/1992
Zinc Paste and Calamine	5	12/1990
Catheters		
Nelaton	38A	10/1996
Scott Female	38B	10/1992
Foley	38A	10/1996
Chemical Reagents		
Blood Glucose Testing Strips (BGTS)	44	11/1994
Colorimetric	48	5/1994
Biosensor		
Contraceptive Devices		
Vaginal Contraceptive Caps (Pessaries)	8	1981
Dressings		
Hydrogel	50	4/1995
Perforated Film Absorbent	9	5/1993
Polyurethane Foam Film	47	9/1994
Povidone Iodine Fabric	43	1988
Sterile Dressing Pack	10	1981
Sterile Dressing Pack with NW Pads	35	1/1991
Elastic Hosiery		
Graduated Compression	40	1988
Suspended Belt	13	1981
Gauze Tissues		
Gauze and Cotton Tissue	14	1983
Hypodermic Equipment		
Non-Sterile		
Hypodermic Needles (Luer Fitting)	15	1981
Hypodermic Syringes (Luer Fitting)	16	12/1990

IX

APPLIANCES (LIST OF TECHNICAL SPECIFICATIONS)

	Spec No.	Date of last revision
Latex Foam Adhesive	19	1981
Pessaries	20	1981
Protectives		
EMA Film Gloves, Disposable	21	1981
Stockinette		
Elasticated Surgical Tubular, Foam Padded	25	1983
Elasticated Viscose	46	1989
Elastic Net Surgical Tubular	26	1983
Swabs		
Non-Woven Fabric	28	3/1993
Non-Woven Fabric, Filmed	29	1981
Trusses		
Spring	31a	1981
Elastic Band	31b	1981

APPLIANCES

Appliance	Size or Weight	Basic Price p each
ABSORBENT COTTONS		
Absorbent Cotton BP 1988	25g	64
Where no quantity is stated on the prescription the 25g pack is to be supplied.	100g	146
	500g	492
Absorbent Cotton, Hospital Quality	100g	102
Specification 1	500g	321
To be supplied only where specifically ordered.		
APPLICATORS - VAGINAL		
Type 1. (Ortho)		75
Type 2. (Durex)		75
<i>N.B.</i>		
1. <i>Where an Ortho pack ordered by the prescriber does not include an applicator, and the contractor considers that one is required, an Ortho Vaginal Applicator should be supplied and the prescription form endorsed accordingly.</i>		
2. <i>Where Duragel Spermicide Jelly is ordered by the prescriber without an applicator and the contractor considers that one is required, a Durex Vaginal Applicator should be supplied and the prescription form endorsed accordingly.</i>		
3. <i>For details of prescription charges payable, See Part XVI, Sub paragraph 10.13.8.</i>		
ARM SLINGS		
Web, Adjustable		172
ATOMIZERS, HAND OPERATED		
Nebulizers		
(a) Inhalers.		
(i) Type specified by the prescriber:		
<i>Brovon Midget Inhaler</i>		596
<i>Riddell Minor</i>		530
<i>Pocket Riddopag Inhaler (without mask)</i>		967
<i>Rybar Standard Inhaler No. 1 (without mask)</i>		929
<i>Rybar Standard Inhaler No. 2 (without mask)</i>		929
Other inhalers conforming to this specification may be supplied if specifically ordered and endorsed providing the *invoice price does not exceed		967
(ii) Type not specified by the prescriber		
The invoice price must not exceed		530
Spare Parts for above		*Invoice Price
* For invoice price see Note 5 (page 89)		

IXA

APPLIANCES

Appliance	Size or Weight	Basic Price p
-----------	----------------	---------------

ATOMIZERS, HAND OPERATED(b) Devices for use with Pressurised Aerosols.**Spacer/Holding Chamber Devices**

- (★) Plastic cone-shaped 750ml capacity.
- (■) Plastic cylindrical body and mouthpiece; rubber MDI adaptor. 145ml capacity.
- (◆) Plastic cone-shaped body and mouthpiece; rubber MDI adaptor. 135ml capacity.
- (♥) Plastic cylindrical body; mouthpiece and MDI adaptor. 100ml capacity.

	each
Type 1 - One piece, to take aerosol canister without actuator (★ Astra)	428
Type 1 - with Mask - as above with Paediatric face mask (★ Astra)	428
Type 2 - In two detachable parts, to take aerosol with actuator (★ Allen and Hanbury) (★ Fisons) - (Not available separately) Not interchangeable	275
Type 2 - with Mask - as above with Paediatric face mask (★ Allen and Hanbury only)	275
Type 3 - One piece, for use with all types of pressurised MDI aerosols (■ GlaxoSmithKline) (◆ Clement Clark Ltd)	436
Type 3 - with Mask as above with Adult, child or infant face mask (■ GlaxoSmithKline)	420
Type 3 - as above with either small (infant), medium (child) or large (adult) mask (◆ Clement Clarke Ltd)	727
Type 3 - One piece, for use with all types of pressurised MDI aerosols (♥ Ferraris Medical Ltd)	686
Type 3 - As above with neonatal, child, teenager or adult mask (♥ Ferraris Medical Ltd)	418
AUTO INFLATION DEVICE (for the treatment of Glue Ear) <i>Otovent</i>	975
	424

APPLIANCES

Appliance	Size or Weight	Basic Price p
-----------	----------------	---------------

BANDAGES

1. The term "bandage" used in a prescription form without qualification is to be interpreted to mean an Open-Wove Bandage, Type 1 BP 5cm x 5m. All bandages supplied are to be of the lengths and widths specified in the Tariff. Where a bandage longer than those specified in the Tariff is ordered, the number of bandages which will, in total, provide the length nearest to that ordered should be supplied. Where a bandage in a width other than those specified is ordered, the next wider specified width should be supplied.
2. Except for Elastic Web, all bandages to be supplied completely wrapped as received from the manufacturer or wholesaler. Elastic Adhesive Bandages and Plaster of Paris Bandages to be supplied sealed in containers as received from the manufacturer or wholesaler. Except where otherwise stated all bandages possessing elasticity to be not less than 4.5m in length when fully stretched.

Conforming Bandage (Synthetic)

<i>Hospiform</i>	6cm x 4m (stretched)	13
	8cm x 4m	15
	10cm x 4m	18
	12cm x 4m	22

Cotton Conforming Bandage BP 1988

<u>Type A</u>		
<i>Crinx</i>	5cm x 3.5m	66
	7.5cm x 3.5m	81
	10cm x 3.5m	100
	15cm x 3.5m	137

Cotton Elastic Heavy Bandage - See Heavy Cotton and Rubber Elastic Bandage BP.**Cotton Crêpe Bandage**

<i>Hospicrepe 239</i>	5cm	48
	7.5cm	67
	*10cm	87
	15cm	127

Cotton Crêpe Bandage BP 1988

7.5cm	288
10cm	370

Cotton, Polyamide and Elastane Bandage

<i>Neosport</i>	5cm	59
	7.5cm	79
	10cm	99
<i>Setocrepe</i>	*10cm	118
<i>Soffcrepe</i>	5cm	67
	7.5cm	95
	10cm	122
	15cm	178

* see also Multi-layer Compression Bandaging

IXA

APPLIANCES

Appliance	Size or Weight	Basic Price p
BANDAGES		
each		
Cotton Stretch Bandage BP 1988		
<i>Hospicrepe 233</i>	5cm	56
	7.5cm	78
	10cm	104
	15cm	148
Crêpe Bandage BP 1988	5cm	92
	7.5cm	128
	10cm	169
	15cm	245
Elastic Adhesive Bandage BP	5cm	340
(Syn: Zinc Oxide Elastic Adhesive Bandage)	7.5cm	491
Where no size is stated by the prescribed 7.5cm size should be supplied.	10cm	654
		per metre
Elastic Web Bandage BP Blue Line	7.5cm	79
	10cm	113
		each
Elastic Web Bandage with Foot Loop Blue Line	7.5cm	454
Specification 2a		
Elastic Web Bandage Without Foot Loop	7.5cm x 2.75m	359
Red Line (Scott Curwen)	2.5m approx	
Specification 2b	unstretched length	
	7.5cm x 3.75m	433
To be supplied wrapped with instruction folder and bandage fastener	3.5m approx	
	unstretched length	
Elasticated Tubular Bandage - see Stockinettes		
Elastomer and Viscose Bandage, Knitted		
BS compression type 2, for light support		
<i>K-Lite</i>	5cm	52
	7cm	73
	*10cm	95
	15cm	137
<i>Knit-Firm</i>	5cm	39
	7cm	55
	10cm	72
	15 cm	104
* See also Multi Layer Compression Bandaging		

APPLIANCES

Appliance	Size or Weight	Basic Price p
BANDAGES		
Elastomer and Viscose Bandage, Knitted		each
BS - compression type 3a, for light compression		
<i>Elset</i>		
6m stretched	*10cm x 6m	255
	15cm x 6m	276
8m stretched	*10cm x 8m	326
<i>Elset S</i>		
12m stretched	15cm x 12m	548
<i>K-Plus</i>		
6m stretched	10cm x 6m	150
8.7m stretched	*10cm x 8.7m	212
<i>MillPlus</i>		
	10cm x 6m	134
	*10cm x 8.7m	181
Heavy Cotton and Rubber Elastic Bandage BP	7.5cm	1218
HIGH COMPRESSION BANDAGES (Extensible)		
Specification No. 52		
P.E.C. High Compression Bandage		
Syns: Polyamide, Elastane, and Cotton Compression (High) Extensible Bandage; "PECCHÉ" Bandage		
<i>Setopress</i>	7.5cm x 3.5m unstretched	268
	10cm x 3.5m unstretched	346
V.E.C. High Compression Bandage		
Syns: Polyamide, Elastane, and Cotton Compression (High) Extensible Bandage; "VECCHÉ" Bandage		
<i>Tensopress</i>	7.5cm x 3m unstretched	266
	10cm x 3m unstretched	341
HIGH COMPRESSION BANDAGE (Extensible)		
<i>Adva-Co</i>	10cm x 3.5m unstretched	195
<i>SurePress</i>	10cm x 3m unstretched	335

IXA

Knitted Polyamide and Cellulose Contour Bandage-See
Polyamide and Cellulose Contour Bandage, Knitted

* see also Multi Layer Compression Bandaging

APPLIANCES

Appliance	Size or Weight	Basic Price p
BANDAGES		
Multi-layer Compression Bandaging		
3M Health Care Ltd		each
<i>Coban Self-Adherent Bandage</i>	10cm x 6m (stretched)	295
ConvaTec Limited		
<i>SurePress Absorbent Padding</i> - listed on page 102	10cm x 3m	52
BSN medical Ltd		
<i>Velband Absorbent Padding Bandage</i> - listed on page 102	10cm x 4.5m	72
Millpledge Healthcare		
<i>Hospi Four #1 (Ortho-Band Plus</i> - listed on page 101)	10cm x 3.5m (unstretched)	40
<i>Hospi Four #2 (Hospicrepe 239</i> - listed on page 95)	10cm x 4.5m (stretched)	87
<i>Hospi Four #3 (MillPlus</i> - listed on page 97)	10cm x 8.7m (stretched)	181
<i>Hospi Four #4 (AAA-Flex)</i>	10cm x 6.3m (stretched)	193
Parema Limited		
<i>K-Four Wound Dressing (Paratex</i> - listed on page 126)	9.5cm x 9.5cm	25
<i>K-Four # 1 (K-Soft</i> - listed on page 101)	10cm x 3.5m (unstretched)	43
<i>K-Four # 2 (K-Lite</i> - listed on page 96)	10cm x 4.5m (stretched)	95
<i>K-Four # 3 (K-Plus</i> - listed on page 97)	10cm x 8.7m (stretched)	212
<i>K-Four # 4 (Ko-Flex)</i>	10cm x 6m (stretched)	290
Robinson Healthcare		
<i>(Ultra Four Non-latex Bandages)</i>		
<i>Ultra Four Wound Dressing (Primary</i> - listed on page 126)	14.5cm x 12.5cm	39
<i>Ultra Four # 1 (Ultra Soft Wadding Bandage</i> - listed on page 102)	10cm x 3.5m (unstretched)	42
<i>Ultra Four # 2 (Ultra Lite)</i>	10cm x 4.5m (stretched)	92
<i>Ultra Four # 3 (Ultra Plus)</i>	10cm x 8.7m (stretched)	205
<i>Ultra Four # 4 (Ultra Fast Cohesive Bandage)</i>	10cm x 6.3m (stretched)	282
SSL International Plc		
<i>(Setoprime</i> - listed on page 126) <i>System 4 Wound Dressing</i>	9.5cm x 9.5cm	27
<i>(Softexe</i> - listed on page 101) <i>System 4 - #1</i>	10cm x 3.5m (unstretched)	62
<i>(Setocrepe</i> - listed on page 95) <i>System 4 - #2</i>	10cm x 4.5m (stretched)	118
<i>(Elset</i> - listed on page 97) <i>System 4 - #3</i>	10cm x 6m (stretched)	255
	10cm x 8m (stretched)	326
<i>(Coban Self-Adherent Bandage</i> - 3M Health Care Ltd)	10cm x 6m (stretched)	295
<i>System 4 - #4</i>		

APPLIANCES

Appliance	Size or Weight	Basic Price	p
BANDAGES			
Multi-layer Compression Bandaging			each
Smith & Nephew Healthcare Ltd			
<i>Profore Wound Contact Layer</i>	14cm x 20cm	29	
Profore #1 - listed on page 101	10cm x 3.5m (unstretched)	66	△
Profore #2	10cm x 4.5m (stretched)	124	
Profore #3	10cm x 8.7m (stretched)	369	△
Profore #4	10cm x 2.5m (unstretched)	305	△
Profore +	10cm x 3m (unstretched)	340	
Vernon-Carus Ltd			
<i>Cellona Undercast Padding</i> - listed on page 101	5cm x 2.75m	30	
	7.5cm x 2.75m	37	
	10cm x 2.75m	46	
	15cm x 2.75m	59	
Multi-layer Compression Bandaging Kits			
<i>K-Four 4 layer system</i> (Parema Medical Ltd)	Ankle Circumference 18-25cm	667	
<i>Profore 4 layer system</i> (Smith & Nephew Healthcare Ltd)	Ankle Circumference Lite up to 18cm 18-25cm 25-30cm above 30cm	515 941 877 727 1089	
<i>ProGuide 2 layer system</i> (Smith & Nephew Healthcare Ltd)	Ankle Circumference 18-22cm (Red) 22-28cm (Yellow) 28-32cm (Green)	907 957 1006	
<i>System 4 4 layer system</i> (SSL International)	Ankle Circumference 18-25cm	829	
<i>Ultra Four 4 layer system</i> (Robinson Healthcare Ltd)	Ankle Circumference Reduced Compression (RC) up to 18cm 18-25cm	450 697 616	

IXA

APPLIANCES

Appliance	Size or Weight	Basic Price p				
BANDAGES		each				
Open-Wove Bandage, Type 1 BP 1988 (Syn: White open-wove bandage)	2.5cm x 5m	32				
	5cm x 5m	52				
	7.5cm x 5m	73				
	10cm x 5m	96				
Plaster of Paris Bandage BP 1988 <i>Gypsona</i>	7.5cm x 2.7m	167				
	10cm x 2.7m	220				
<i>Neosafe</i>	7.5cm x 2.7m	156				
	10cm x 2.7m	209				
Polyamide and Cellulose Contour Bandage, BP 1988 (Nylon & Viscose Stretch Bandage) Length 4m stretched						
Size	Basic Price (p) each					
	Acti-Wrap (Cohesive)	Acti-Wrap (Cohesive/ Latex Free)	Easifix	Kontour	Slinky	Stayform
5cm	-	-	36	30	41	31
6cm	39	45	-	-	-	-
7.5cm	-	-	43	38	59	39
8cm	57	65	-	-	-	-
10cm	68	77	50	43	71	44
15cm	-	-	86	72	101	74
Polyamide and Cellulose Contour Bandage, Knitted BP 1988						each
<i>K-Band</i> For dressing retention - Length 4m stretched					5cm	19
					7cm	25
					10cm	27
					15cm	47
<i>Knit-Band</i> For dressing retention - Length 4m stretched					5cm	11
					7cm	16
					10cm	18
					15cm	33
<i>Knit Fix</i> For dressing retention - Length 4m stretched					5cm	13
					7cm	18
					10cm	19
					15cm	36

APPLIANCES

Appliance	Size or Weight	Basic Price p each
BANDAGES		
Short Stretch Compression Bandage		
Indications: Venous leg ulcers and lymphoedema		
<i>Actiban</i>	8cm x 5m	316
	10cm x 5m	340
	12cm x 5m	413
<i>Actico (Cohesive)</i>	10cm x 6m	315
<i>Comprilan</i>	6cm x 5m	263
	8cm x 5m	310
	10cm x 5m	333
	12cm x 5m	405
<i>Rosidal K</i>	4cm x 5m	185
	6cm x 5m	258
	8cm x 5m	308
	10cm x 5m	336
	10cm x 10m	585
	12cm x 5m	408
<i>Silkolan</i>	8cm x 5m	320
	10cm x 5m	362
<i>Varex Short Stretch</i>	10cm x 5m	339
Sub-compression Wadding Bandage		
<i>Advasoft</i>		
3.5m unstretched	10cm x 3.5m	39
<i>Cellona Undercast Padding</i>	*5cm x 2.75m	30
2.75m unstretched	*7.5cm x 2.75m	37
	*10cm x 2.75m	46
	*15cm x 2.75m	59
<i>Flexi-Ban</i>		
3.5m unstretched	10cm x 3.5m	47
<i>K-Soft</i>		
3.5m unstretched	*10cm x 3.5m	43
<i>Ortho-Band Plus</i>		
3.5m unstretched	*10cm x 3.5m	40
<i>Profore #1 (100% Natural Fleece)</i> (formerly Soffban Natural)		
3.5m unstretched	*10cm x 3.5m	66 △
<i>Softexe</i>		
3.5m unstretched	*10cm x 3.5m	62

IXA

APPLIANCES

Appliance	Size or Weight	Basic Price p
BANDAGES		
Sub-compression Wadding Bandage <i>SurePress Absorbent Padding</i>	*10cm x 3m	52
<i>Ultra Soft Wadding Bandage</i> 3.5m unstretched	*10cm x 3.5m	42
<i>Velband Absorbent Padding Bandage</i> 4.5m unstretched	*10cm x 4.5m	72
* see also Multi-layer Compression Bandaging		
Suspensory Bandage, Cotton <i>Note: type supplied to be endorsed.</i>		
<u>Type 1</u>	Small	159
Cotton net bag with draw tapes and webbing waistband	Medium	159
	Large	159
	Ex-large	169
<u>Type 2</u>	Small	176
Cotton net bag with elastic edge and webbing waistband	Medium	181
	Large	188
	Ex-large	196
<u>Type 3</u>	Small	190
Cotton net bag with elastic edge and webbing waistband with insertion of elastic centre-front	Medium	190
	Large	190
	Ex-large	197
Triangular Calico Bandage BP 1980	Sides - 90cm Base - 127cm	115
Tubular Bandage - See Stockinettes		
White Open-Wove Bandage - See Open-Wove Bandage, Type 1		
Zinc Paste Bandages		
<u>Zinc Paste Bandage BP</u> <i>Viscopaste PB7 (10%)</i>	7.5cm x 6m	343 △
<u>Zinc Paste and Coal Tar Bandage BP</u>	7.5cm x 6m	334
<u>Zinc Paste and Ichthammol Bandage BP</u> <i>Ichthopaste (6/2%)</i>	7.5cm x 6m	346 △
Appliance	Size or Weight	Basic Price p
BREAST RELIEVER Plasticised PVC polymer bulb with glass or polycarbonate receiver	60ml approx.	each 413
BREAST SHIELDS Plastic circular - (Not to be confused with Nipple Shields)		per pair 388

APPLIANCES

Appliance	Size or Weight	Basic Price p
BRUSHES		
Tracheostomy Brush - See Tracheostomy and Laryngectomy Appliances		
CATHETERS, ACCESSORIES		
Bard Comfasure Catheter Retainer Strap	Small	1339
	Adult	1339
	Abdominal	1393
		each
P. Grip Catheter Retaining Strap		
CS.01 1 x leg strap (38mm x 600mm)		240
1 x green velcro tab (20mm x 130mm)		
2 x self adhesive micro hooktabs (43mm x 25mm)		
CS.02 1 x abdominal strap (38mm x 900mm)		255
1 x green velcro tab (20mm x 130mm)		
2 x self adhesive micro hooktabs (43mm x 25mm)		
CS.TABS		215
1 x green velcro tab (20mm x 130mm)		
10 x self adhesive micro hooktabs (43mm x 25mm)		
CATHETER MAINTENANCE SOLUTIONS		
OptiFlo G	(CSG50)	50ml 329
3.23% Citric Acid (Suby G)	(CSG100)	100ml 329
OptiFlo R	(CSR50)	50ml 329
6.0% Citric Acid (Solution R)	(CSR100)	100ml 329
OptiFlo S	(CSS50)	50ml 310
0.9% Saline	(CSS100)	100ml 310
Uriflex G	(GR076)	100ml 323
3.23% Citric Acid		
Uriflex R	(GR086)	100ml 323
6% Citric Acid		
Uriflex S	(GR066)	100ml 323
NaCl 0.9%		
Uriflex SP	(GR027)	50ml 323
NaCl 0.9%	(GR026)	100ml 323
Uriflex W	(GR056)	100ml 323
Sterile Water		
Uro-Tainer NaCl 0.9%	(FB99849)	50ml 299
	(FB99833)	100ml 299
●† Uro-Tainer Solutio R	(FB99843)	50ml 318
6.0% Citric Acid	(FB99841)	100ml 318
●† Uro-Tainer Suby G	(FB99851)	50ml 318
3.23% Citric Acid	(FB99839)	100ml 318
Uro-Tainer Twin Solutio R	(9746625)	2 x 30ml 410
6.0% Citric Acid		
Uro-Tainer Twin Suby G	(9746609)	2 x 30ml 410
3.23% Citric Acid		
† to be deleted 1 April 2005		
● These products are no longer available from the manufacturer but will remain reimbursable until 31st March 2005. Prescribers please note that prescriptions should be written for Twin Solutio R and Twin Suby G.		

IXA

APPLIANCES

CATHETERS, URINARY, URETHRAL

1. Catheter sizes are designated by the Charrière (Ch) gauge system - even numbers only. (The equivalent metric sizes for Charrière gauges 6-30 are 2.0mm-10.0mm, rising in 0.66mm). Where size is not stated by the prescriber, size 14 or 16 should be supplied.
2. If a balloon size is not stated by the prescriber when ordering a Foley catheter, a 10ml balloon catheter should be supplied - a 5ml balloon in the case of a paediatric catheter.
3. Where the brand is not stated by the prescriber, the basic price of each listed catheter Basic Price p supplied must not exceed:

Nélaton (Male)	40
Nélaton (Female)	37
Nélaton (Paediatric)	37
Foley (Male)	210
Foley (Female)	210
Foley (Paediatric)	403
4. 5-units of plastic catheters, for example, represents on average one month's supply for patients practising intermittent catheterisation.
5. *For names and addresses of suppliers see pages 214-215*
6. *The rate of use of single use Nélaton catheters is approximately between 6 and 45 times greater than reusable Nélaton catheters for patients practising intermittent catheterisation.*

Appliance	Gauge (Ch)	Basic Price p
(See Note 1 - page 104)		
(A) (i) Nélaton Catheter ('ordinary' cylindrical Catheter)		pack of 5
Specification 38A and/or CE		
Bard Reliacath PTFE Coated Latex		
	(DO159C)	14
		753 (≅151 each)
Bard Reliacath Plastic (Male)	(D5030)	12-18
		694 (≅136 each)
(Female)	(D5031)	12-18
		694 (≅136 each)
(Paediatric)	(D5032)	8-10
		694 (≅136 each)
Coloplast Ltd		
PVC		
(Male)	(T1010-T1018)	10-18
		556 (≅111 each)
(Female)	(T2012-T2018)	12-18
		592 (≅118 each)
(Paediatric)	(T3006-T3010)	6-10
		592 (≅118 each)

APPLIANCES

Appliance		Gauge (Ch)	Basic Price p
	(See Note 1 - page 104)		
(A) (i) Nélaton Catheter ('ordinary' cylindrical Catheter)			
Hunter Urology Ltd			pack of 30
SafetyCat non-coated ISC			
(Male)	(SCM08-SCM18)	8-18	4462 (≅149 each)
(Female)	(SCF08-SCF18)	8-18	4462 (≅149 each)
(Paediatric)	(SCP06-SCP10)	6-10	4462 (≅149 each)
Mentor Medical Ltd			
Mentor Self-Cath			
(Male)	(408-418)	8-18	3116 (≅104 each)
(Female)	(208-214)	8-14	3116 (≅104 each)
(Paediatric)	(305-310)	5-10	3116 (≅104 each)
PVC			
			pack of 5
(Male)	(WS 850/8-14)	8-14	812 (≅162 each)
(Female)	(WS 854/8-14)	8-14	784 (≅157 each)
pack of 10			
Pennine (Male)	(NC-1212/FP-1216/FP)	12-16	405 (≅ 40 each)
(Female)	(FC-1410/FP-1414/FP)	10-14	369 (≅ 37 each)
(Paediatric)	(NC-1206/FP/25-1210/ FP/25)	6-10	369 (≅ 37 each)
Pennine Pre-Lube catheter with integral PVC capsule containing lubragel			
(Male)	(NC1608/FP-NC1616/ FP)	8-16	967 (≅ 97 each)
(Male)	(NC1608/BG/FP- NC1616/BG/FP) (including 1 litre integral bag)	8-16	1120 (≅112 each)
(Female)	(FC1608/FP-FC1616/ FP)	8-16	967 (≅97 each)

IXA

APPLIANCES

Appliance	Gauge (Ch)	Basic Price p
	(See Note 1 - page 104)	
(A) (i) Nélaton Catheter ('ordinary' cylindrical Catheter)		
Rüsch UK PVC Riplex Jaques		pack of 5
(Male) (DT6115-5)	8-18	727 (≡145 each)
(Female) (DT6114-5)	8-18	663 (≡133 each)
Rüsch UK PVC Riplex Extra Long (76cm)		
(Male/Female) (DT6116)	8-18	737 (≡147 each)
Rüsch UK Soft Rubber Jaques		pack of 1
(DT5143-1/5)	8-18	150
		pack of 5
		632 (≡126 each)
Unomedical Ltd		
(Male) (ZT01007182- ZT01013182)	10-16	547 (≡109 each)
(Male Paediatric) (ZT01004182)	8	547 (≡109 each)
(Female) ZT02015182- ZT02017182)	10-14	547 (≡109 each)

APPLIANCES

Appliance		Gauge (Ch)	Basic Price p
		(See Note 1 - page 104)	
(A)(ii) Nélaton Catheter ('ordinary' cylindrical Catheter) Single use			
Astra Tech LoFric Plus (non PVC)			
(Male)	(903800-905400)	8-24	3155 (≅126 each)
(Female)	(943800-944800)	8-18	3155 (≅126 each)
(Female 15cm)	(983800-984800)	8-18	3155 (≅126 each)
(Paediatric)	(923600-924000)	6-10	3155 (≅126 each)
(Paediatric 30cm)	(993600-994000)	6-10	3155 (≅126 each)
Astra Tech LoFric			
(Male)	(900800-902400)	8-24	3155 (≅126 each)
(Female)	(940800-941800)	8-18	3155 (≅126 each)
(Female 15cm)	(980800-981400)	8-14	3155 (≅126 each)
(Paediatric)	(920600)	6	3155 (≅126 each)
	(990800-991000)	8-10	3155 (≅126 each)
(Tiemann Tip)	(961000-962000)	10-20	3155 (≅126 each)
Astra Tech LoFric H ₂ O with integral water sachet			
(Male)	(9900800-9901600)	8-16	3586 (≅143 each)
(Female)	(9940800-9941600)	8-16	3586 (≅143 each)
(Paediatric)	(9920600-9921000)	6-10	3586 (≅143 each)
(Tiemann)	(9961000-9961400)	10-14	3586 (≅143 each)
Astra Tech LoFric Insti-Cath			
(Male)	(800800-801400)	8-14	3375 (≅135 each)
(Female)	(810800-811400)	8-14	3375 (≅135 each)
(Paediatric)	(812800-813000)	8-10	3375 (≅135 each)
(Tiemann)	(812000-821400)	10-14	3375 (≅135 each)
Bard Interglide Coated Intermittent Catheter			
(Male)	(D6030)	8-18	3274 (≅131 each)
(Female)	(D6031)	8-18	3274 (≅131 each)
(Paediatric)	(D6032)	8-10	3274 (≅131 each)

IXA

APPLIANCES

(A)(ii) Nélaton Catheter ('ordinary' cylindrical Catheter) Single use

B. Braun Medical Actreen Cath			pack of 30
(Male)	(HC5208E-HC5218E)	8-18	3605
			(≅120 each)
(Female)	(HC5306E-HC5316E)	6-16	3605
			(≅120 each)
(Tiemann Tip)	(HC5108E-HC5118E)	8-18	3605
			(≅120 each)
B. Braun Medical Actreen Glyc Cath			
(Male)	(225208E-225218E)	8-18	4077
			(≅136 each)
(Female)	(225306E-225316E)	6-16	4077
			(≅136 each)
(Male Tiemann)	(225108E-225118E)	8-18	4077
			(≅136 each)
B. Braun Medical Actreen Luer Lock			pack of 10
(Male)	(27208E-27216E)	8-16	1263
			(≅126 each)
(Female)	(27308E-27316E)	8-16	1263
			(≅126 each)
(Tiemann Tip)	(27408E-27416E)	8-16	1263
			(≅126 each)
Coloplast Ltd			
Speedicath (Pre-Hydrated Polyurethane)			pack of 30
(Male)	(28408)	8	4149
			(≅138 each)
	(28410-28414)	10-14	4149 △
			(≅138 each)
	(28416-28418)	16-18	4149
			(≅138 each)
(Female)	(28506)	6	4077
			(≅136 each)
	(28508)	8	4149
			(≅138 each)
	(28510-28514)	10-14	4149 △
			(≅138 each)
	(28516)	16	4149
			(≅138 each)
(Paediatric)	(28706)	6	4077
			(≅136 each)
	(28708-28710)	8-10	4149
			(≅138 each)
(Speedicath 30cm)	(28606)	6	4077
			(≅136 each)
	(28608-28612)	8-12	4149
			(≅138 each)
(Tiemann)	(28490-28494)	10-14	4149
			(≅138 each)
Speedicath Compact			
(Female)	(28580-28584)	10-14	4290
			(≅143 each)

APPLIANCES

Appliance		Gauge (Ch)	Basic Price p
		(See Note 1 - page 104)	
(A)(ii) Nélaton Catheter ('ordinary' cylindrical Catheter) Single use			
Coloplast Ltd Conveen EasiCath			
(Male Nélaton)	(5348-5362)	8-22	pack of 25 2885 (≅115 each)
(Female)	(5368-5376)	8-16	2885 (≅115 each)
(Paediatric)	(5006-5010)	6-10	2885 (≅115 each)
(Easicath 30cm)	(5086-5092)	6-12	2783 (≅113 each)
(Tiemann Tip)	(5380-5388)	10-18	2885 (≅115 each)
GTA (UK) Ltd Idrocath			
(Male)	(50010)	8-24	pack of 20 1980 (≅ 99 each)
(Female)	(50011)	8-18	1980 (≅ 99 each)
(Paediatric)	(50012)	6-10	1980 (≅ 99 each)
(Child)	(50013)	8-10	1980 (≅ 99 each)
(Tiemann)	(50014)	10-20	1980 (≅ 99 each)
Hollister Advance			
(Male)	(92084-92184)	8-18	pack of 25 3284 (≅131 each)
(Female)	(92062-92142)	6-14	3284 (≅131 each)
Hollister Advance Hydro Soft Hydrophilic Intermittent Catheter with integral sterile water			
(Male 40cm)	(82108-82188)	10-18	3275 (≅131 each)
(Female 15cm)	(82103-82143)	10-14	3275 (≅131 each)
(Paediatric 25cm)	(82085-82105)	8-10	3275 (≅131 each)
Hollister InstantCath			
(Male)	(9670-9673)	10-16	3111 (≅124 each)
(Female)	(9674-9676)	10-14	3111 (≅124 each)
(Paediatric)	(9677-9678)	6-8	3111 (≅124 each)
Hunter Urology Ltd AntiBac			
(Male)	(ABM08-ABM18)	8-18	pack of 30 4060 (≅135 each)
(Female)	(ABF08-ABF18)	8-18	4060 (≅135 each)
(Paediatric)	(ABP06-ABP10)	6-10	4060 (≅135 each)

IXA

APPLIANCES

Appliance		Gauge (Ch)	Basic Price p
	(See Note 1 - page 104)		
(A) (ii) Nelaton Catheter ('ordinary' cylindrical Catheter) Single use			
Mentor Medical Ltd			
Self-Cath plus (formerly Uro-Flo Silky)			pack of 25
(Male) (USCC8M-USCC16M)	8-16	3336	(≅133 each)
(Female) (USCC8F-USCC16F)	8-16	3336	(≅133 each)
(Paediatric) (USCC06P)	6	3336	(≅133 each)
Rochester Medical Silicone Personal Catheter			pack of 30
(Male) (63310-63318)	10-18	3330	(≅111 each)
(Female) (61310-61318)	10-18	3330	(≅111 each)
(Paediatric) (62308-62310)	8-10	3330	(≅111 each)
Rochester Medical Silicone Hydrophilic Personal Catheter with integral water pack			
(Male) (63610-63618)	10-18	3960	(≅132 each)
(Female) (61610-61618)	10-18	3960	(≅132 each)
(Paediatric) (62608-62610)	8-10	3960	(≅132 each)
Rüsch UK Flocath Hydro Gel			
(Female) (851121)	8-16	3480	(≅116 each)
(Female Olive Tip) (851122)	8-16	3900	(≅130 each)
(Paediatric) (851131)	6-10	3480	(≅116 each)
(Paediatric Olive Tip) (851132)	8-10	3900	(≅130 each)
(Male) (851141)	8-20	3480	(≅116 each)
(Male Olive Tip) (851142)	8-18	3900	(≅130 each)
(Male Tiemann Tip) (851143)	10-18	3480	(≅116 each)
Flocath quick, with integral 0.9% sterile saline solution			
(Male) (851241)	10-14	3600	(≅120 each)
Shiloh Healthcare Conticath Bluelite Coated			
(Male) CCNM8-CCNM18	8-18	3206	(≅107 each)
(Female) CCNF8-CCNF16	8-16	3206	(≅107 each)
(Paediatric) CCNP6-CCNP10	6-10	3206	(≅107 each)

APPLIANCES

Appliance		Gauge (Ch)	Basic Price p
		(See Note 1 - page 104)	
(A)(iii) Dilatation Catheter without drainage eyes			
Not indicated for bladder emptying			pack of 25
Astra Tech LoFric Dila-Cath	(891600/800)	16-18	3155 (≅126 each)
GTA(UK) Ltd			
Idrocath Dilatation	(50316-18)	16-18	3000 (≅120 each)
Hunter Urology Ltd			pack of 30
AntiBac D	(ABD16-ABD18)	16-18	3725 (≅124 each)
(A)(iv) Nélaton Catheter with Urine Drainage Bag			
Astra Tech			† pack of 25
LoFric Cath-Kit			
(Male)	(910800-911800)	8-18	3886 (≅155 each)
(Female)	(950800-951800)	8-18	3886 (≅155 each)
(Paediatric)	(930600-931000)	6-10	3886 (≅155 each)
(Tiemann)	(971000-971800)	10-18	3886 (≅155 each)
B. Braun Medical Actreen Set			pack of 30
(Male)	((HO6208E-HO6218E)	8-18	4583 (≅153 each)
(Female)	(HO6306E-HO6316E)	6-16	4583 (≅153 each)
(Tiemann Tip)	(HO6108E-HO6116E)	8-16	4583 (≅153 each)
B. Braun Medical Actreen Glyc Set			
(Male)	(226208E-226218E)	8-18	5500 (≅183 each)
(Female)	(226306E-226316E)	6-16	5500 (≅183 each)
(Male Tiemann)	(226108E-226116E)	8-16	5500 (≅183 each)

† to be deleted 1 April 2005

IXA

APPLIANCES

Appliance		Gauge (Ch)	Basic Price p
		(See Note 1 - page 104)	
(A)(v) Nélaton Catheter with Water Container and Urine Drainage Bag			
Astra Tech			pack of 20
LoFric Hydro-Kit			
(Male)	(830800-831800)	8-18	3482 (≅174 each)
(Female)	(850800-851800)	8-18	3482 (≅174 each)
(Paediatric)	(840600-841000)	6-10	3482 (≅174 each)
(Tiemann)	(871000-871800)	10-18	3482 (≅174 each)
GTA(UK) Ltd			
Idrocath Kit			
(Male)	(50110)	8-24	3300 (≅165 each)
(Female)	(50111)	8-18	3300 (≅165 each)
(Paediatric)	(50112)	6-10	3300 (≅165 each)
(Child)	(50113)	8-10	3300 (≅165 each)
(Tiemann)	(50114)	10-18	3300 (≅165 each)
(B) Scott Catheter (short curved tubular catheter for women and girls)			
Specification 38B and/or CE			pack of 5
Mentor Medical Ltd			
Polythene	(WS852/8-14)	8-14	1273 (≅255 each)

APPLIANCES

Appliance	Balloon Size (ml)	Gauge (Ch)	Basic Price p
	(See Note 2 - page 104)	(See Note 1 - page 104)	
(C)(i)(a) Foley Catheter - 2 Way (indwelling Nélaton catheter with balloon) For Short/Medium Term Use - Adult			pack of 1
Specification 38A and/or CE			
<i>Note: Average period of use is 1 to 3 weeks</i>			
Bard PTFE Coated Latex			
(Male)	(D1265LV)	10	12-26 252
	(D1266LV)	30	16-26 252
(Female)	(D0169LV)	10	12-22 376
#	Bard PTFE Aquamatic Coated Latex (D1265AL)	10	12-22 288
# Pre-filled with sterile water			
Mentor Medical Ltd			
Freedom Folatex Latex (formerly Eschmann)			
(Male)	(41-515/41-517)	10	12-28 227
	(41-525/41-527)	30	12-28 227
(Female)	(41-915/41-917)	10	12-28 227
Rüsch UK Rüsch PTFE AquaFlate. PTFE Coated Latex with sterile water filled syringe for balloon inflation and empty syringe for balloon deflation			
(Male)	(DP3101)	10	12-24 210
(Female)	(DP2101)	10	12-24 210
Universal Hospital Supplies Ltd			
Silicone Elastomer			
(Male)	(UN51161210-UN51162610)	10	12-26 280
(C)(i)(b) Foley Catheter - 2 Way (indwelling Nélaton catheter with balloon) For Short/Medium Term Use - Paediatric			
<i>Note: Average period of use is 1 to 3 weeks</i>			
Bard			
PTFE Coated Latex			
	(D0165PV)	5	8-10 696
Mentor Medical Ltd			
Freedom Folatex Latex (formerly Eschmann)			
	(41-585)	5	8-10 403

IXA

APPLIANCES

Appliance		Balloon Size (ml)	Gauge (Ch)	Basic Price p	
		(See Note 2 - page 104)	(See Note 1 - page 104)		
(C)(ii)(a) Foley Catheter - 2 Way For LongTerm Use - Adult				pack of 1	
<i>Note: Average period of use is 3 to 12 weeks</i>					
Bard Biocath Hydrogel Coated					
(Male)	(D2265)	10	12-26	778	
	(D2266)	30	12-26	788	
(Female)	(D2269)	10	12-22	788	
#	Bard Biocath Aquamatic Hydrogel Coated				
	(Male)	(D2264)	10	12-22	801
	(Female)	(D2268)	10	12-22	805
	Bard Lubri-Sil Aquafil Hydrogel Coated Silicone with pre-filled syringe of sterile water				
	(Male)	(D1758)	10	12-22	910
	(Female)	(D1761)	10	12-16	910
	Bard Lubri-Sil Hydrogel Coated Silicone				
	(Male)	(D1768)	30	16-22	895
	Bard Silicone Elastomer Coated Latex				
	(Male)	(D1657)	10	12-22	856
		(D1667)	30	16-22	856
	(Female)	(D1647)	30	16-22	856
#	Bard Silicone Elastomer Coated Latex				
	(Male)	(D1657AL)	10	12-22	925
	(Female)	(D1637AL)	10	12-22	925
	Bard All Silicone				
	(Male/Standard)	(D1658)	10	12-22	883
	(Male/Standard)	(D1668)	30	16-22	883
	(Female)	(D1661)	10	12-16	847
	Bard Silastic Silicone Coated (336)				
			10	12-24	807
	(334)		30	16-28	858
	# Pre-filled with sterile water				
	Caredmed - see Yushin Medical				

APPLIANCES

Appliance	Balloon Size (ml)	Gauge (Ch)	Basic Price p
	(See Note 2 - page 104)	(See Note 1 - page 104)	
(C)(ii)(a)Foley Catheter - 2 Way For Long Term Use - Adult			pack of 1
<i>Note: Average period of use is 3 to 12 weeks</i>			
Coloplast All Silicone			
(Male)	(367312-367314)	10	12-14 881
	(367516-367520)	10	16-20 881
	(367216-367218)	20	16-18 881
	(367220)	30	20 881
(Female)	(366312-366314)	10	12-14 872
	(366516-366518)	10	16-18 872
	(366220)	30	20 872
L.IN.C Medical Fortune All Silicone Catheter with integral balloon (formerly Yushun Medical product)			
(Male)	(08501205)	5	12 795
	(08501405)	5	14 795
	(08501610)	10	16 795
	(08501810)	10	18 795
(Female)	(085012051)	5	12 795
	(085014051)	5	14 795
	(085016101)	10	16 795
Medasil (Surgical) Ltd All Silicone			
(Male)	(84M)	10	12-26 462
	(85M)	30	16-26 462
(Female)	(86F)	10	12-26 462
	(87F)	30	16-26 462
Mentor Medical Ltd			
Porges Folsyl All Silicone Catheter			
(Male) (open ended)	(AA74)	10	12-18 575
(Male)	(AA71)	10	12-24 575
(Female)	(AA75)	10	12-16 575
Transcath Clear Standard Silicone Catheter			
(Male/Female)	(TC2125, TC2145, TC2165,TC2185, TC2205, TC2225,TC2245)	5&10	12-24 738
	((TC21630, TC21830, TC22030, TC22230, TC22430, TC22630)	30	16-26 738
(3 Way)	(TC3165, TC3185, TC3205, TC3225, TC3245, TC3265)	5&10	16-26 791
	(TC31630, TC31830, TC32030, TC32230, TC32430, TC32630)	30	16-26 791
Rochester Medical All Silicone 2-way			
(Male)	(14212-14224)	10	12-24 850
	(24216-24226)	30	16-26 850

IXA

APPLIANCES

Appliance	Balloon Size (ml)	Gauge (Ch)	Basic Price p
	(See Note 2 - page 104)	(See Note 1 - page 104)	
(C)(ii)(a)Foley Catheter - 2 Way For Long Term Use - Adult			pack of 1
<i>Note: Average period of use is 3 to 12 weeks</i>			
Rüsch UK Rüsch Brilliant AquaFlate All-Silicone with sterile water filled syringe for balloon inflation and empty syringe for balloon deflation			
(Male)	(DA3101)	10	12-24 595
(Female)	(DA2101)	10	12-24 595
Rüsch UK			
Rüsch Sympacath AquaFlate Hydrogel Coated Latex with sterile water filled syringe for balloon inflation and empty syringe for balloon deflation.			
(Male)	(DH3101)	10	12-24 595
(Female)	(DH2101)	10	12-24 595
The Kendall Company (UK) Ltd			
Argyle All Silicone			
(Male)	(8887-805128-805227)	10	12-22 583
	(8887-830167)	20	16 583
	(8887-830183-830266)	30	18-26 583
(Female)	(8887-815127-815184)	10	12-18 583
Ultramer			
(Male)	(1612-1M/1626-1M)	5	12-26 625
(Female)	(1712-1F/1722-1F)	5	12-22 625
(Male)	(1416-1M/1426-1M)	30	16-26 625
(Female)	(1216-1F/1222-1F)	30	16-22 625

APPLIANCES

Appliance	Balloon Size (ml)	Gauge (Ch)	Basic Price p
	(See Note 2 - page 104)	(See Note 1 - page 104)	

(C)(ii)(a)Foley Catheter - 2 Way For Long Term Use - Adult **pack of 1**

Note: Average period of use is 3 to 12 weeks

Unomedical Ltd

2 Way Foley All Silicone

(Male)	(MMS41151205-MMS41152605)	10	12-26	510
(Male)	(MMS41151630-MMS41152630)	30	16-26	510

2 Way Silicone Elastomer Coated Latex

(Male)	(MMS51161210-MMS51162610)	10	12-26	490
(Male)	(MMS51161230-MMS51162630)	30	12-26	490
(Female)	(MMS54161210- MMS54162410)	10	12-24	490

Universal Hospital Supplies Ltd

All Silicone

(Male)	(UN41151205-UN41152005)	10	12-20	420
--------	-------------------------	----	-------	-----

Lubricious

(Male)	(UN51181210-UN51182610)	10	12-26	515
--------	-------------------------	----	-------	-----

2 Way Foley All Silicone

(Male)	(08501430)	30	14	795
	(08501630)	30	16	795
	(08501830)	30	18	795
	(08502030)	30	20	795
	(08502230)	30	22	795
	(08502430)	30	24	795
	(08502630)	30	26	795

IXA

APPLIANCES

Appliance	Balloon Size (ml)	Gauge (Ch)	Basic Price p
	(See Note 2 - page 104)	(See Note 1 - page 104)	
(C)(ii)(b) Foley Catheter - 2 Way For Long Term Use - Paediatric			pack of 1
<i>Note: Average period of use is 3 to 12 weeks</i>			
Bard Biocath Hydrogel Coated			
(D2263)	5	8-10	788
Bard Lubri-Sil Hydrogel Coated Silicone			
(D1758)	5	8-10	895
Coloplast All Silicone (367308-367310)			
(367308-367310)	5	8-10	880
Medasil (Surgical) Ltd			
All Silicone (83P)	5	8-10	462
Mentor Medical Ltd			
Transcath Clear Standard Silicone Catheter			
(TC2061, TC2083, TC2103)	1.5&3	6-10	738
The Kendall Company (UK) Ltd			
Argyle All Silicone (8887-803081-803107)	5	8-10	629
Unomedical Ltd			
2 Way Foley All Silicone			
(Paediatric) (MMS43150605- MMS43151005)	1.5-3	6-10	560
2 Way Silicone Elastomer Coated Latex			
(Paediatric) (MMS53160605- MMS53161005)	5	6-10	540
Yushin Medical			
2 Way Foley All Silicone			
(08580803)	3	8	795
(08581003)	3	10	795
(08500601)	5	6	795
(08500803)	5	8	795
(08501003)	5	10	795
(D) Intermittent Catheter with finger grip and lid			pack of 30
Engineers & Doctors Ltd			
Emteva 46F12-30-UK		12	3900 (≅130 each)

APPLIANCES

Appliance	Balloon Size (ml)	Gauge (Ch)	Basic Price p
	(See Note 2 - page 104)	(See Note 1 - page 104)	

(E) Intermittent Catheter with introducer tip and urine bag **pack of 25**

Hollister Advance Plus (Nélaton)	(94064-94184)	6-18	6478 (=259 each)
(Tiemann Tip)	(95124-95164)	12-16	6478 (=259 each)
Hollister InstantCath Protect (Nélaton)	(9690-9696)	6-18	6476 (=259 each)
(Tiemann Tip)	(9697-9699)	12-16	6476 (=259 each)

(F) Intermittent Catheter with lubricant, insertion aid and urine bag **pack of 30**

Rüsch UK Flocath Intro Gel (Female)	(851621)	8-16	6600 (=220 each)
(Female Olive Tip)	(851622)	8-16	7320 (=244 each)
(Paediatric)	(851631)	8-10	6600 (=220 each)
(Paediatric Olive Tip)	(851632)	8-10	7320 (=244 each)
(Male)	(851641)	8-18	6600 (=220 each)
(Male Olive Tip)	(851642)	8-18	7320 (=244 each)
(Male Tiemann Tip)	(851643)	10-18	6600 (=220 each)

IXA

**(G) Silver Female Reusable Catheter
For Long Term Use, Reusable For Intermittent Self Catheterisation** **pack of 1**

S G & P Payne Incontinaid Silver Female Catheter (1315-1318)		8-14	3834
--	--	------	------

APPLIANCES

Appliance	Balloon Size (ml)	Gauge (Ch)	Basic Price p
	(See Note 2 - page 104)	(See Note 1 - page 104)	
(H) Stainless Steel Catheter			
For Long Term Use, Reusable For Intermittent Self Catheterisation			
Malvern Medical Developments Ltd			
Biscath System	Comprises of 6 stainless steel catheters with case, brushes, scraper and hard and soft carrying case.		pack of 6
(Female)	(BISC001)	8	24875
	(BISC002)	10	24875
	(BISC003)	12	24875
	(BISC004)	14	24875
(I) Urinary Suprapubic Catheters			
pack of 1			
Yushin Medical			
2 Way All Silicone Suprapubic Catheter with integral balloon & central opening			
(Paediatric)	(08471003)	3	10 1095
(Short)	(08471205)	5	12 1095
	(08471405)	5	14 1095
	(08471610)	10	16 1095
	(08471810)	10	18 1095
	(08472010)	10	20 1095
	(08472210)	10	22 1095
	(08472410)	10	24 1095
(Long)	(08451205)	5	12 1095
	(08451405)	5	14 1095
	(08451610)	10	16 1095
	(08451810)	10	18 1095
	(08452010)	10	20 1095
	(08452210)	10	22 1095
	(08452410)	10	24 1095
2 Way All Silicone Suprapubic Catheter with integral balloon, central opening and shaped tip			
	(084612051)	5	12 1095
	(084614051)	5	14 1095
	(084616101)	10	16 1095
	(084618101)	10	18 1095
	(084620101)	10	20 1095

APPLIANCES

Appliance	Size or Weight	Basic Price p
each		
CELLULOSE WADDING BP 1988		
<i>Cellosene</i>	500g	220
CERVICAL COLLAR, SOFT FOAM		
<i>Esesiness Soft Cervical Foam Collar</i>		
Small	23562000	250
Medium	23562100	250
Large	23562200	250
<i>Clini Cervical Collar</i>		
Small (44cm)	OA8009	240
Medium (48cm)	OA8016	240
Large (53cm)	OA8023	240
CHIROPODY APPLIANCES		
Adhesive Felt	10.5cm x 8.3cm x 5mm thick	87
Zinc oxide or acrylic adhesive, spread on semi-compressed surgical wool felt	10cm x 22.5cm x 5mm thick	177
Animal Wool BP 1988	25g	84
(Syn: Animal Wool for Chiropody) (Long Strand Lamb's Wool for Chiropody)		
Bunion Rings		box 85
Self-adhesive, semi-compressed felt (in box of 4 pieces)		
Corn Rings	5 mm thick	box 85
Self-adhesive, semi-compressed felt in a box of 9 pieces		
Metatarsal Arch Supports		pair 685
(Price of a single article is half that of a pair)		
Wool Felt BP 1988	10.5 cm x 8.3 cm x 7 mm thick	each 104
(Syn: Wool Felt, Surgical) Semi-compressed		

IXA

APPLIANCES

Appliance	Size or Weight	Basic Price p each
CONTRACEPTIVE DEVICES		
Fertility (Ovulation) Thermometer		179
A mercury-in-glass thermometer, conforming to BS691-1987 and BS 6834 - 1991. To be supplied in a re-usable screw capped plastics protective case. <i>NB: TEMPERATURE CHARTS (Form FP 1004) and advice on their use are given by the prescribing doctor; they are also available from pharmacists.</i>		
Intrauterine Contraceptive Device		
<i>Flexi T-300</i>		880
<i>GyneFixIN</i> implant and insertion system.		2475
<i>GyneFixPT</i> implant and insertion system.		2475
<i>Gyne-T380S</i>		993
<i>Multiload CU</i>		713
<i>Multiload CU 250/Short</i>		713
<i>Multiload CU 375</i>		924
<i>Multi-Safe 375</i>		818
<i>Neo-Safe T380</i>		1215
<i>Nova - T</i>		1045
<i>Nova-T 380</i>		1350
<i>T-Safe 380A</i>		956
The type of device and the size (where more than one is listed above) must be specified by the prescriber.		
Vaginal Contraceptive Caps (Pessaries)		
1. Rubber		
Specification 8		
Type A (<i>Dumas</i> Vault Cap) Translucent rubber pessary (plus postage 65p)	Numbers 1 - 5	649
Type B (<i>Prentif</i> Cavity Rim Cervical Cap) Opaque rubber pessary (plus postage 65p)	22, 25, 28, 31mm	767
Type C (<i>Vimule</i> Cap) Translucent rubber pessary (plus postage 65p)	Numbers 1 - 3	649
The size of the pessary and the type must be specified by the prescriber.		

APPLIANCES

Appliance	Size or Weight	Basic Price p
-----------	----------------	---------------

CONTRACEPTIVE DEVICES**Vaginal Contraceptive Caps (Pessaries)**

2. Silicone

CE Marked

FemCap

Soft Silicone Cap

22mm, 26mm,
30mm

1475

Vaginal Contraceptive Diaphragm

Complies with British Standard 4028:1989

Reflexions Flat Spring Diaphragm55-95mm
(rising in 5 mm)

568

Type B (BS 4028, Type 1)
Diaphragm with a coil spring.60-100 mm
(rising in 5 mm)

624

Type C (BS 4028, Type 3)
Diaphragm with an arcing spring (flat and coiled steel
combination spring).60-95 mm
(rising in 5 mm)

710

The size of the diaphragm, and the type must be specified by the prescriber.

IXA

COTTON WOOLS - See Absorbent Cottons**DOUCHES****With Rectal and Vaginal fittings**

Plastic Douche - Rigid plastics container, with 2m approx. flexible plastics tubing, a tap and vulcanite or rigid plastics rectal pipe and plastics vaginal pipe.

1 litre approx.

593

Spare Plastics Tubing

Where type not specified by the prescriber, plastics tubing to be supplied

2m approx.

96

APPLIANCES

Appliance	Size or Weight	Basic Price p
-----------	----------------	---------------

DRESSINGS

Note for all dressings: The exact number of pieces, ordered by the prescriber is to be dispensed.

Absorbent Dressing Pads, Sterile**each**

<i>Drisorb Dressing Pad</i>	10cm x 20cm	17
-----------------------------	-------------	----

Absorbent Cellulose Dressing with Fluid Repellent Backing

CE

Indications: Primary or secondary dressing for medium to heavily exuding wounds.

<i>Eclipse</i>	15cm x 15cm	95
	20cm x 30cm	210
<i>Exu-Dry</i>	10cm x 15cm	96
	15cm x 23cm	196
	23cm x 38cm	454
<i>Mesorb</i>	10cm x 10cm	55
	10cm x 15cm	71
	10cm x 20cm	87
	15cm x 20cm	124
	20cm x 25cm	197
	20cm x 30cm	223
<i>Telfa Max</i>	15cm x 22.8cm	196
	22.8cm x 38cm	453
	38cm x 45.7cm	550
	38cm x 60.9cm	800

Packed in outer container not exceeding 10 units.

Absorbent, Perforated Plastic Film Faced, Dressing

Specification 9 and/or BP, CE

<i>Cutilin</i>	5cm x 5cm	13
	10cm x 10cm	21
	10cm x 20cm	40
<i>Interpose</i>	5cm x 5cm	9
	10cm x 10cm	15
	10cm x 20cm	32
<i>Melolin</i>	5cm x 5cm	15 △
	10cm x 10cm	24 △
	20cm x 10cm	46
<i>Release</i>	5cm x 5cm	13
	10cm x 10cm	22
	20cm x 10cm	41
<i>Skintact</i>	5cm x 5cm	10
	10cm x 10cm	17
	20cm x 10cm	34
<i>Solvaline N</i>	5cm x 5cm	9
	10cm x 10cm	16
	10cm x 20cm	32

Where not specified by the prescriber, the 5cm size to be supplied.

Where the brand is not specified by the prescriber, for the sizes listed below, the Basic Price must not exceed:

5cm x 5cm	9
10cm x 10cm	15
20cm x 10cm	32

APPLIANCES

Appliance	Size or Weight	Basic Price
DRESSINGS		
Absorbent, Perforated Plastic Film Faced, Dressing		each
Specification 9 and/or BP, CE		
<i>Telfa</i> (Non adherent dressing pad)	7.5cm x 5cm	12
	10cm x 7.5cm	15
	15cm x 7.5cm	17
	20cm x 7.5cm	28
Absorbent, Perforated Dressing with Adhesive Border		
BP and/or CE		
<i>Cosmopor E</i>		
5cm x 7.2cm	(wound contact pad 2.7cm x 4cm + border 1.15 - 1.6cm)	7
6cm x 10cm	(wound contact pad 2.7cm x 6.5cm + border 1.65 - 1.75cm)	13
8cm x 10cm	(wound contact pad 4cm x 6.5cm + border 1.75 - 2.0cm)	15
6cm x 15cm	(wound contact pad 2.7cm x 11cm + border 1.65cm - 2.0cm)	17
8cm x 15cm	(wound contact pad 4cm x 11cm + border 2.0cm)	24
8cm x 20cm	(wound contact pad 4cm x 16cm + border 2.0cm)	33
10cm x 20cm	(wound contact pad 5.5cm x 16cm + border 2.0cm - 2.25cm)	40
10cm x 25cm	(wound contact pad 5.5cm x 20cm + border 2.25cm - 2.5cm)	49
10cm x 35cm	(wound contact pad 5.5cm x 30cm + border 2.25cm - 2.5cm)	68
<i>Medipore + Pads</i>		
5cm x 7.2cm	(wound contact pad 2.8cm x 3.8cm + border 1 - 2 cm)	7
10cm x 10cm	(wound contact pad 5cm x 5.5cm + border 2 - 2.5cm)	15
10cm x 15cm	(wound contact pad 5cm x 10.5cm + border 2 - 2.5cm)	23
10cm x 20cm	(wound contact pad 5cm x 15.5cm + border 2 - 2.5cm)	36
10cm x 25cm	(wound contact pad 5cm x 20.5cm + border 2 - 2.5cm)	44
10cm x 35cm	(wound contact pad 5cm x 30.4cm + border 2 - 2.5cm)	61
<i>Mepore</i>		
7cm x 8cm	(wound contact pad 4cm x 5cm + border 1.5cm)	9
10cm x 11cm	(wound contact pad 6cm x 6cm + border 2cm - 2.5cm)	19
11cm x 15cm	(wound contact pad 6cm x 10cm + border 2.5cm)	32
9cm x 20cm	(wound contact pad 5cm x 15cm + border 2.0 - 2.5cm)	39
9cm x 25cm	(wound contact pad 5cm x 20cm + border 2.0 - 2.5cm)	53
9cm x 30cm	(wound contact pad 5cm x 25cm + border 2.0 - 2.5cm)	61
9cm x 35cm	(wound contact pad 5cm x 30cm + border 2.0 - 2.5cm)	67
<i>Neosafe - Self Adhesive Border</i>		
9cm x 10cm	(wound contact pad 5cm x 5.8cm + border 2 - 2.1cm)	16
9cm x 20cm	(wound contact pad 5cm x 15cm + border 2 - 2.5cm)	34
<i>Primapore</i>		
6cm x 8.3cm	(wound contact pad 3.4cm x 5.7cm + border 1.3cm)	16
8cm x 10cm	(wound contact pad 4.5cm x 5cm + border 1.75 - 2.5cm)	16
8cm x 15cm	(wound contact pad 4.5cm x 10cm + border 1.75 - 2.5cm)	28
10cm x 20cm	(wound contact pad 5cm x 14cm + border 2.5 - 3cm)	37
10cm x 25cm	(wound contact pad 5cm x 18cm + border 2.5 - 3.5cm)	42
10cm x 30cm	(wound contact pad 5cm x 23cm + border 2.5 - 3.5cm)	53
12cm x 35cm	(wound contact pad 6.6cm x 29cm + border 2.7 - 2.95cm)	89
<i>Softpore</i>		
6cm x 7cm	(wound contact pad 3cm x 4cm + border 1.5cm)	6
10cm x 10cm	(wound contact pad 5cm x 6cm + border 2-2.5cm)	13
10cm x 15cm	(wound contact pad 5cm x 10cm + border 2.5cm)	20
10cm x 20cm	(wound contact pad 5cm x 15cm + border 2.5cm)	35
10cm x 25cm	(wound contact pad 5cm x 20cm + border 2.5cm)	40
10cm x 30cm	(wound contact pad 5cm x 25cm + border 2.5cm)	49
10cm x 35cm	(wound contact pad 5cm x 30cm + border 2.5cm)	58
<i>Sterifix</i> (with two adhesive strips)		
5cm x 7cm	(wound contact pad 5cm x 5cm + border 1.0cm)	17
7cm x 10cm	(wound contact pad 5cm x 10cm + border 1.0cm)	29
10cm x 14cm	(wound contact pad 8cm x 14cm + border 1.0cm)	51
<i>Telfa Island</i> (Non adherent dressing pad)		
5cm x 10cm	(wound contact pad 3.3cm x 4.8cm + border 0.85-2.6cm)	8
10cm x 12.5cm	(wound contact pad 5cm x 8.5cm + border 2.0-2.5cm)	26
10cm x 20cm	(wound contact pad 5cm x 15cm + border 2.5cm)	34
10cm x 25.5cm	(wound contact pad 5cm x 20cm + border 2.5-2.75cm)	43
10cm x 35cm	(wound contact pad 5cm x 30cm + border 2.5cm)	60

IXA

APPLIANCES

Appliance	Size or Weight	Basic Price p
DRESSINGS		
Boil Dressing Pack The pack comprises: Two boil dressings (Each complies with BP requirements for an Elastic Adhesive Dressing - Wound Dressing. There is a 2.5 mm hole punched through the centre of the dressing. The pad may be impregnated with a BP permitted antiseptic). One Elastic Adhesive Dressing BP - Wound Dressing (The dressing is impregnated with a BP permitted antiseptic).	38 mm x 38 mm 38 mm x 38 mm	73
Gauze Dressings (Impregnated)		per pack
Activon Tulle (Impregnated with manuka honey) Sterile one-piece pack containing a single piece of impregnated gauze <i>Note: The exact number of pieces (ie packs) ordered by the prescriber are to be dispensed. Where not specified by the prescriber, the 5cm size to be supplied.</i>	5cm x 5cm 10cm x 10cm	175 295
Chlorhexidine Gauze Dressing BP (Syn: Chlorhexidine Tulle Gras) <i>Where not specified by the prescriber, the 5cm size to be supplied.</i>	5cm x 5cm 10cm x 10cm	25 52
Paraffin Gauze Dressing BP Sterile (Syn: Tulle Gras) Light Loading - 90-130g/m ² <i>Paranet</i>	10cm x 10cm	25
Normal Loading - 175-220g/m ² <i>Jelonet</i> <i>Neotulle</i>	10cm x 10cm 10cm x 10cm	35 29
Povidone Iodine "Gauze" Dressing - see Povidone Iodine Fabric Dressing		
Knitted Polyester Primary Dressing Impregnated with Neutral Triglycerides <i>Atrauman</i>	5cm x 5cm 7.5cm x 10cm 10cm x 20cm	23 24 55
Knitted Viscose Primary Dressing BP Type 1 (Sterile Knitted Viscose Dressing) <i>N-A Dressing</i>	9.5cm x 9.5cm 19cm x 9.5cm	33 62
<i>N-A Ultra</i>	9.5cm x 9.5cm 19cm x 9.5cm	31 59
<i>Paratex</i>	* 9.5cm x 9.5cm	25
<i>Primary</i>	* 14.5cm x 12.5cm	39
<i>Setoprime</i>	* 9.5cm x 9.5cm	27
<i>Tricotex</i>	9.5cm x 9.5cm	29
* See also Multi-layer Compression Bandaging		
Multiple Pack Dressing No. 1 Carton containing: Absorbent Cotton BP 1988 (interleaved) Absorbent Cotton Gauze. Type 13 Light BP, sterile Open-Wove Bandages BP 1988 (banded)	25g 90 cm x 1 m 3 x 5 cm x 5 m	364

APPLIANCES

Appliance	Size or Weight	Basic Price p
-----------	----------------	---------------

DRESSINGS

Perforated Film Absorbent Dressing BP - See Absorbent, Perforated Plastic Film Faced, Dressing (P.F.A. Dressing).

Povidone-Iodine Fabric Dressing, Sterile

Specification 43

Inadine

5cm x 5cm	30
9.5cm x 9.5cm	44

Where not specified by the prescriber, the 5cm size is to be supplied.

Standard Dressings

**No. 4 Medium Elastic Adhesive Wound Dressing
BPC 1963**

packet of 3	61
-------------	----

No. 16 Eye Pad with Bandage BPC, sterile

	58
--	----

STERILE DRESSING PACKS *The exact number of pieces, ordered by the prescriber is to be dispensed.*

Drug Tariff Specification Sterile Dressing Packs

Sterile Dressing Pack Specification 10

	78
--	----

Sterile Pack containing:

Gauze and Cotton Tissue Pad	8.5cm x 20cm
Gauze Swabs 12 ply	4 x 10 x 10cm
Absorbent Cotton Balls, large	4 x 0.9g approx
Absorbent Paper Towel	45cm x 50cm
Water Repellent Inner Wrapper opens out as a sterile working field	50cm x 50cm

IXA

Sterile Dressing Pack with Non-Woven Pads Specification 35

	77
--	----

Sterile Pack containing:

Non-woven Fabric Covered Dressing Pad	10cm x 20cm
Non-woven Fabric Swabs	4 x 10cm x 10cm
4 Absorbent Cotton Wool Balls	
Absorbent Paper Towel	50cm x 45cm
Water Repellent Inner Wrapper opens out as a sterile working field	50cm x 50cm

CE marked Sterile Dressing Packs*Dress-it*

	60
--	----

Sterile Pack containing:

1 Paper Towel	45cm x 50cm
1 Disposable bag	26cm x 36cm
4 Softswabs 12 ply	10cm x 10cm
1 Dressing Pad	10cm x 20cm
1 Softdrape	50cm x 50cm

APPLIANCES

Appliance	Size or Weight	Basic Price p
DRESSINGS		
Vapour-permeable Adhesive Film Dressing		
(Syn: Semipermeable Adhesive Dressing)		
<i>ActivHeal</i>	6cm x 7cm	31
	10cm x 12.7cm	73
	15cm x 17.8cm	178
<i>Bioclusive</i>	10.2cm x 12.7cm	143
<i>Blisterfilm</i>	5cm x 8cm	40
	9cm x 10cm	70
	10cm x 13cm	90
	14cm x 15cm	123
<i>Central Gard</i> (Intravenous/Sub-Cutaneous Therapy)	16cm x 7cm central line	90
	16cm x 8.8cm central line	99
<i>C-View</i>	6cm x 7cm	37
	10cm x 12cm	102
	15cm x 20cm	233
<i>Hydrofilm</i>	6cm x 9cm	49
	10cm x 15cm	129
	12cm x 25cm	233
<i>IV3000</i> (formerly OpSite IV3000) (Intravenous/Sub-Cutaneous Therapy)	6cm x 7cm Non-winged peripheral	47
	7cm x 9cm Ported peripheral	62
	10cm x 12cm Central line	119
<i>Mefilm</i>	6cm x 7cm	40
	10cm x 12cm	108
	(formerly 10cm x 12.7cm)	
	10cm x 25cm	211
	15cm x 20cm	267
	(formerly 15cm x 21.5cm)	
<i>Niko Fix IV</i> (Ported and non ported peripheral)	7cm x 8.5cm	37
<i>OpSite Flexigrid</i>	6cm x 7cm	34
	12cm x 12cm	96
	15cm x 20cm	247 Δ
OpSite IV3000 see <i>IV3000</i>		
<i>Polyskin II</i>	4cm x 4cm	35
	5cm x 7cm	38
	10cm x 12cm	99
	10cm x 20cm	196
	15cm x 20cm	226
	20cm x 25cm	395
<i>Polyskin MR</i>	5cm x 7cm	40
	10cm x 12cm	108
	15cm x 20cm	253
<i>Tegaderm</i>	6cm x 7cm	38
	12cm x 12cm	123
	15cm x 20cm	234
<i>Tegaderm IV</i> with securing tapes (Intravenous/Sub-cutaneous Therapy)	7cm x 8.5cm peripheral line	57
	8.5cm x 10.5cm central line	111
<i>Vacuskin</i>	6cm x 7cm	40
	10cm x 12cm	106
	10cm x 25cm	206
	15cm x 20cm	219

APPLIANCES

Appliance	Size or Weight	Basic Price p
-----------	----------------	---------------

DRESSINGS**Vapour-permeable Adhesive Film Dressing - with absorbent pad**

(Syn: Semipermeable Adhesive Dressing)

<i>Alldress</i>	10cm x 10cm	82
	15cm x 15cm	179
	15cm x 20cm	221
<i>Mepore Ultra</i>	6cm x 7cm	27
	9cm x 10cm	58
	9cm x 15cm	87
	9cm x 20cm	131
	9cm x 25cm	145
	9cm x 30cm	239
<i>OpSite Plus</i>		
5cm x 5cm	(wound contact pad 2.5cm x 2.5cm + border 1.25cm)	27
8.5cm x 9.5cm	(wound contact pad 3.7cm x 7.3cm + border 2.4cm - 1.1cm)	76
10cm x 12cm	(wound contact pad 5cm x 7.5cm + border 2.5cm - 2.25cm)	104
10cm x 20cm	(wound contact pad 5.5cm x 15cm + border 2.25cm - 2.5cm)	175
10cm x 35cm	(wound contact pad 5.7cm x 30cm + border 2.15cm - 2.5cm)	289

Vapour-permeable Waterproof Plastic Wound Dressing BP, Sterile

(Syn: Semipermeable Waterproof Plastic Wound Dressing)

8.5cm x 6cm 34

IXA

WOUND MANAGEMENT DRESSINGS

each

*Note for all wound management dressings: The exact number of pieces, ordered by the prescriber is to be dispensed.***Activated Charcoal Absorbent Dressing**

<i>Carboflex</i>	10cm x 10cm	274
	8cm x 15cm (Oval)	329
	15cm x 20cm	623
<i>Lyofam C</i>	10cm x 10cm	269
	15cm x 20cm	611
<i>Sorbsan Plus Carbon</i>	7.5cm x 10cm	228
	10cm x 15cm	443
	10cm x 20cm	530
	15cm x 20cm	610

Activated Charcoal Non-Absorbent Dressing

<i>Carbopad VC</i>	10cm x 10cm	159
	10cm x 20cm	215
<i>CliniSorb</i>	10cm x 10cm	165
	10cm x 20cm	220
	15cm x 25cm	354

Activated Charcoal Cloth with Silver

<i>Actisorb Silver 220</i>	6.5cm x 9.5cm	152
	10.5cm x 10.5cm	239
	10.5cm x 19cm	435

APPLIANCES

Appliance	Size or Weight	Basic Price
DRESSINGS		
WOUND MANAGEMENT DRESSINGS		
Alginate Dressing - Sterile,		
BP and/or CE		
Indications: Medium to heavily exuding wounds.		
Precautions: Not the dressing of choice for infected wounds; not suitable for those which are very dry or covered with hard necrotic tissue.		
<i>ActivHeal</i>	5cm x 5cm	57
	10cm x 10cm	111
	10cm x 20cm	273
<i>Algisite M</i>	5cm x 5cm	80
	10cm x 10cm	166
	15cm x 20cm	444
<i>Algosteril</i>	5cm x 5cm	79
	10cm x 10cm	181
	10cm x 20cm	307
<i>Curasorb</i>	5cm x 5cm	69
	10cm x 10cm	146
	10cm x 14cm	236
	10cm x 20cm	287
	15cm x 25cm	505
	30cm x 61cm	2650
<i>Curasorb Plus</i>	10cm x 10cm	200
<i>Curasorb Zn</i>	5cm x 5cm	78
	10cm x 10cm	165
	10cm x 20cm	324
<i>Kaltostat</i>	5cm x 5cm	81
	7.5cm x 12cm	177
	10cm x 20cm	350
	15cm x 25cm	601
<i>Melgisorb</i>	5cm x 5cm	79
	10cm x 10cm	164
	10cm x 20cm	309
<i>Sorbalgon</i>	5cm x 5cm	71
	10cm x 10cm	150
<i>Sorbsan</i>	5cm x 5cm	74
	10cm x 10cm	155
	10cm x 20cm	290
<i>Tegagen (formerly Tegage)</i>	5cm x 5cm	75
	10cm x 10cm	158
<i>Trionic</i>	5cm x 10cm	119
	10cm x 15cm	268
	10cm x 20cm	332
Alginate Dressing with Absorbent Backing - Sterile		
<i>Sorbsan Plus</i>	7.5cm x 10cm	157
	10cm x 15cm	277
	10cm x 20cm	353
	15cm x 20cm	490
<i>Sorbsan Plus SA (with adhesive border)</i>		
11.5cm x 14cm	(wound contact pad 10cm x 7.5cm + border 2cm)	273
14cm x 19cm	(wound contact pad 10cm x 15cm + border 2cm)	398
14cm x 24cm	(wound contact pad 10cm x 20cm + border 2cm)	481
19cm x 24cm	(wound contact pad 15cm x 20cm + border 2cm)	604

APPLIANCES

Appliance	Size or Weight	Basic Price p
DRESSINGS		
WOUND MANAGEMENT DRESSINGS		
Alginate containing Hydrocolloid Dressing - Sterile		
BP and/or CE		
Indications: Medium to heavily exuding wounds.		
<i>SeaSorb Soft</i>	5cm x 5cm	83
	10cm x 10cm	198
	15cm x 15cm	376
<i>Urgosorb Pad</i>	5cm x 5cm	76
	10cm x 10cm	183
	10cm x 20cm	335
Capillary Action Absorbent Wound Dressing		
Indications: Low to heavily exuding wounds.		
Precautions: Avoid any arterial bleeds or very vascular wounds eg fungating wounds		
<i>Advadraw</i>	5cm x 7.5cm	55
	10cm x 10cm	85
	10cm x 15cm	115
<i>Sumar Lite</i>	10cm x 10cm	159
	10cm x 15cm	212
<i>Sumar Max</i>	10cm x 10cm	161
	10cm x 15cm	215
<i>Vacutex</i>	5cm x 5cm	94
	10cm x 10cm	166
	10cm x 15cm	223
	10cm x 20cm	268
	15cm x 20cm	314
	20cm x 20cm	428
Cavity Dressing		
Indications: Medium/heavily exuding cavity wounds		
<i>Acticoat Absorbent</i>	2cm x 30cm	1120
<i>ActivHeal</i>	2cm x 30cm	205
<i>Algisite M-Rope</i>	2cm x 30cm	295
<i>Algosteril Rope</i>	30cm/2g	328 △
<i>Allevyn Cavity</i>	circular	5cm diameter
		10cm diameter
	tubular	9cm x 2.5cm
		12cm x 4cm
<i>Allevyn Plus Cavity</i>	✱	1.5cm x 20cm
		5cm x 6cm
		10cm x 10cm
		15cm x 20cm
<i>Aquacel Ribbon</i>		2cm x 45cm
<i>Aquacel Ag Ribbon</i>		2cm x 45cm
<i>Contreet Foam Filler</i>		5cm x 8cm
<i>Curasorb Rope</i>		30cm
		61cm
		91cm
<i>Curasorb Zn Rope</i>		30cm
<i>Kaltostat</i>		2g
<i>Melgisorb Cavity</i>		2.2cm x 32cm
<i>SeaSorb Soft Filler</i>		44cm
<i>Sorbalgon T</i>		30cm/2g
<i>Sorbsan Packing</i>		2g
<i>Sorbsan Ribbon (with probe)</i>		40cm
<i>Tegagen</i>		2cm x 30cm
<i>Tielle Packing</i>		9.5cm x 9.5cm
<i>Trionic Rope</i>		2cm x 30cm
<i>Urgosorb Rope</i>		30cm

✱ to be deleted 1 February 2005

IXA

APPLIANCES

Appliance	Size or Weight	Basic Price p each
DRESSINGS		
WOUND MANAGEMENT DRESSINGS		
Conforming Foam Cavity Wound Dressing		
<i>Cavi-Care</i>	20g	1683
Hydrocolloid Dressing - Semi-permeable - Sterile - With Adhesive Border		
BP and/or CE		
Indications: Light to medium exudating wounds.		
Precautions: Not suitable for infected wounds. Heavy exudate leads to too frequent changes of dressing.		
Dressing should seal round the borders of a wound.		
Sterile one-piece pack:		
<i>Comfeel Plus Contour Dressing</i>		
These dressings are contoured to facilitate application to difficult areas, such as elbows and heels.		
6cm x 8cm	(wound contact pad 6cm x 8cm + irregular border)	192
9cm x 11cm	(wound contact pad 9cm x 11cm + irregular border)	334
<i>Comfeel Plus Pressure Relieving Dressing</i>		
<u>Circular</u>		
7cm diameter	(wound contact pad 7cm diameter + irregular border)	300
10cm diameter	(wound contact pad 10cm diameter + irregular border)	402
15cm diameter	(wound contact pad 15cm diameter + irregular border)	606
<i>Granuflex Bordered</i>		
<u>Square</u>		
6cm x 6cm	(wound contact pad 6cm x 6cm + border 2cm)	151
10cm x 10cm	(wound contact pad 10cm x 10cm + border 2.0 - 2.5cm)	283
15cm x 15cm	(wound contact pad 15cm x 15cm + border 2.5cm)	545
<u>Triangular</u>		
10cm x 13cm	(wound contact pad 10cm x 13cm + border 2.0 - 2.5cm)	334
15cm x 18cm	(wound contact pad 15cm x 18cm + border 2.0 - 2.5cm)	521
<i>Hydrocoll Border (Bevelled Edge)</i>		
<u>Square</u>		
5cm x 5cm	(wound contact pad 3.5cm x 3.5cm + border 0.75cm)	88
7.5cm x 7.5cm	(wound contact pad 4.5cm x 4.5cm + border 1.5cm)	145
10cm x 10cm	(wound contact pad 7.75cm x 7.75cm + border 1.25cm)	212
15cm x 15cm	(wound contact pad 12.5cm x 12.5cm + border 1.5cm)	398
<u>Concave</u>		
These dressings are contoured to facilitate application to difficult areas such as elbows and heels.		
8cm x 12cm	(wound contact pad 9.3cm x 4.7cm + irregular border)	186
<u>Sacral</u> (previously measured as 15cm x 18cm)		
12cm x 18cm	(wound contact pad 14cm x 11cm + irregular border)	317
<i>Tegasorb (formerly Tegasorb Advanced Formulation)</i>		
<u>Oval</u>		
10cm x 12cm	(wound contact pad 7cm x 9cm + border 1.5cm)	220
13cm x 15cm	(wound contact pad 10cm x 12cm + border 1.5cm)	411
<i>Ultec Pro</i>		
<u>Square</u>		
10.5cm x 10.5cm	(wound contact pad 6.4cm x 6.4cm + 2.05cm border)	139
14cm x 14cm	(wound contact pad 10.5cm x 10.5cm + 1.75cm border)	224
21cm x 21cm	(wound contact pad 15.2cm x 15.2cm + 2.9cm border)	449
<u>Sacral</u>		
15cm x 18cm	(wound contact pad 10cm x 12.5cm + irregular border)	317
19.5cm x 23cm	(wound contact pad 15cm x 17.5cm + irregular border)	488

APPLIANCES

Appliance	Size or Weight	Basic Price p
DRESSINGS		
each		
WOUND MANAGEMENT DRESSINGS		
Hydrocolloid Dressing - Semi-permeable - Sterile - Without Adhesive Border		
<i>ActivHeal</i>		
<u>Square</u>	10cm x 10cm	152
	15cm x 15cm	331
Sacral	15cm x 18cm	384
<i>Comfeel (Bevelled Edge)</i>		
<u>Square</u>	10cm x 10cm	241
	15cm x 15cm	483
	20cm x 20cm	739
<i>Comfeel Plus Ulcer Dressing (Bevelled Edge)</i>		
<u>Square</u>	10cm x 10cm	213
	15cm x 15cm	456
	20cm x 20cm	656
<u>Rectangular</u>	4cm x 6cm	83
<u>Triangular</u>	18cm x 20cm	487
<i>DuoDERM Signal</i>		
<u>Square</u>	10cm x 10cm	182
	14cm x 14cm	320
	20cm x 20cm	635
Heel	18.5cm x 19.5cm	447
<u>Sacral</u>	22.5cm x 20cm	522
<u>Oval</u>	11cm x 19cm	277
<i>Flexigran</i>		
<u>Square</u>	10cm x 10cm	219
<i>Granuflex (modified)</i>		
<u>Square</u>	10cm x 10cm	238
	15cm x 15cm	451
	20cm x 20cm	679
<u>Rectangular</u>	15cm x 20cm	489
<i>Hydrocoll Basic</i>		
<u>Square</u>	10cm x 10cm	215
<i>Replicare Ultra</i>		
<u>Square</u>	10cm x 10cm	225
	15cm x 15cm	448
	20cm x 20cm	661
<u>Anatomically Shaped Sacral Dressing</u>	15cm x 18cm	424
<i>Tegasorb (formerly Tegasorb Advanced Formulation)</i>		
<u>Square</u>	10cm x 10cm	224
<i>Ultec Pro</i>		
<u>Square</u>	10cm x 10cm	219
	15cm x 15cm	427
	20cm x 20cm	643

IXA

APPLIANCES

Appliance	Size or Weight	Basic Price p each
DRESSINGS		
WOUND MANAGEMENT DRESSINGS		
Hydrocolloid Dressing, Thin - Semi-permeable - Sterile BP and/or CE		
With Adhesive Border		
<i>Tegasorb Thin</i>		
<u>Oval</u>		
10cm x 12cm	(wound contact pad 7cm x 9cm + border 1.5cm)	146
13cm x 15cm	(wound contact pad 10cm x 12cm + border 1.5cm)	274
Without Adhesive Border		
<i>Askina Biofilm Transparent</i>		
<u>Square</u>		
	10cm x 10cm	100
	15cm x 15cm	227
	20cm x 20cm	296
<i>Comfeel Plus Transparent Dressing</i>		
<u>Square</u>		
	10cm x 10cm	109
	15cm x 15cm	284
	20cm x 20cm	290
<u>Rectangular</u>		
	5cm x 7 cm	57
	5cm x 15cm	135
	5cm x 25cm	220
	9cm x 14cm	207
	9cm x 25cm	295
	15cm x 20cm	288
	17cm x 17cm	325
<i>DuoDERM Extra Thin</i>		
<u>Rectangular</u>		
	5cm x 10cm	66
<u>Square</u>		
	7.5cm x 7.5cm	68
	10cm x 10cm	112
	15cm x 15cm	242
<i>Flexigran Thin</i>		
<u>Square</u>		
	10cm x 10cm	108
<i>Hydrocoll Thin Film</i>		
<u>Square</u>		
	7.5cm x 7.5cm	61
	10cm x 10cm	101
	15cm x 15cm	228
<i>Tegasorb Thin</i>		
<u>Square</u>		
	10cm x 10cm	147

APPLIANCES

Appliance	Size or Weight	Basic Price p
DRESSINGS		
WOUND MANAGEMENT DRESSINGS		
Hydrocolloid Dressing - Semi-permeable - Sterile - Chronic and acute exudating wounds		
BP and/or CE		
With Adhesive Border		
<i>Alone</i>		
<u>Square</u>		
10cm x 10cm	(wound contact pad 6cm x 6cm + border 2cm)	279
12.5cm x 12.5cm	(wound contact pad 8.5cm x 8.5cm + border 2cm)	383
15cm x 15cm	(wound contact pad 10cm x 10cm + border 2.5cm)	485
20cm x 20cm	(wound contact pad 14cm x 14cm + border 3cm)	713
<u>Rectangular</u>		
12cm x 20cm	(wound contact pad 8cm x 16cm + border 2cm)	495
<i>CombiDERM</i>		
<u>Square</u>		
10cm x 10cm	(wound contact pad 5cm x 5cm + border 2.5cm)	142
14cm x 14cm	(wound contact pad 7.5cm x 7.5cm + border 3.5cm)	197
20cm x 20cm	(wound contact pad 13cm x 13cm + border 3.5cm)	378
<u>Triangular</u>		
15cm x 18cm	(wound contact pad 8cm x 11cm + border 3cm)	340
20cm x 23cm	(wound contact pad 12cm x 15cm + border 4cm)	456
<i>Versiva</i>		
<u>Square</u>		
9cm x 9 cm	(wound contact pad 5cm x 5cm + border 2cm)	226
14cm x 14cm	(wound contact pad 10cm x 10cm + border 2cm)	422
19cm x 19cm	(wound contact pad 15cm x 15cm + border 2cm)	657
<u>Rectangular</u>		
19cm x 24cm	(wound contact pad 15cm x 20cm + border 2cm)	793
<u>Sacral</u>		
19cm x 17.7cm	(wound contact pad 12cm x 13cm + irregular border)	559
21cm x 22.5cm	(wound contact pad 14cm x 15cm + irregular border)	793
<u>Heel</u>		
19.5cm x 18.5cm	(wound contact pad 11.5cm x 15.5cm + irregular border)	674
With Non-Adhesive Border		
<i>Alone</i>		
<u>Square</u>		
10cm x 10cm	(wound contact pad 6cm x 6cm + border 2cm)	279
12.5cm x 12.5cm	(wound contact pad 8.5cm x 8.5cm + border 2cm)	383
15cm x 15cm	(wound contact pad 10cm x 10cm + border 2.5cm)	485
20cm x 20cm	(wound contact pad 14cm x 14cm + border 3cm)	713
<u>Rectangular</u>		
12cm x 20cm	(wound contact pad 8cm x 16cm + border 2cm)	495
<i>CombiDERM-N</i>		
<u>Square</u>		
7.5cm x 7.5cm	(wound contact pad 5.5cm x 5.5cm + border 1cm)	111
14cm x 14cm	(wound contact pad 11cm x 11cm + border 1.5cm)	198
<u>Rectangular</u>		
15cm x 25cm	(wound contact pad 13cm x 23cm + border 1cm)	403

IXA

APPLIANCES

Appliance		Size or Weight	Basic Price p each
DRESSINGS			
WOUND MANAGEMENT DRESSINGS			
Hydrocolloid Dressing - Fibrous - Sterile			
BP and/or CE			
Indications: Medium to heavily exudating wounds.			
Should be covered with a moisture retentive dressing.			
Without Adhesive Border			
<i>Aquacel</i>	<u>Square</u>	5cm x 5cm	99
		10cm x 10cm	235
		15cm x 15cm	443
Hydrocolloid Dressing - Fibrous - Silver Impregnated - Sterile			
<i>Aquacel Ag</i>	<u>Square</u>	5cm x 5cm	168
		10cm x 10cm	400
		15cm x 15cm	754
	<u>Rectangular</u>	20cm x 30cm	1870
Hydrocolloid Dressing - Silver Impregnated - Sterile			
Without Adhesive Border			
<i>Contreet Hydrocolloid</i>	<u>Square</u>	10cm x 10cm	635
		15cm x 15cm	1270
Hydrocolloid Paste			
<i>Comfeel Paste</i>		50g	598
Hydrogel Dressing - Sterile			
Specification 50 and/or CE			
Indications: Dry "sloughy" or necrotic wounds; lightly exudating wounds; granulating wounds.			
Precautions: Not suitable for infected or heavily-exudating wounds. Care should be taken to choose the appropriate secondary dressing.			
<i>ActivHeal</i>		15g	136
<i>AquaForm Hydrogel</i>		8g	148
		15g	180
<i>Flexigran Gel</i>		15g	190
<i>Granugel Hydrocolloid Gel</i>		15g	198
<i>IntraSite Conformable</i>	10cm x 10cm	(7.5g)	153
	10cm x 20cm	(15g)	207
	10cm x 40cm	(30g)	370
<i>IntraSite Gel</i>		8g	156 △
		15g	209 △
		25g	310
<i>Nu-Gel</i>		15g	194
<i>Purilon Gel</i>		8g	150
		15g	198

APPLIANCES

Appliance		Size or Weight	Basic Price p
DRESSINGS			
each			
WOUND MANAGEMENT DRESSINGS			
Hydrogel Sheet			
With Adhesive Border			
<i>Curagel Island</i>	<u>Rectangular</u>	7.5cm x 10cm	247
	<u>Square</u>	12.5cm x 12.5cm	358
<i>Hydrosorb Comfort</i>	<u>Square</u>	12.5cm x 12.5cm	367
	<u>Rectangular</u>	4.5cm x 6.5cm	163
		7.5cm x 10cm	255
Without Adhesive Border			
<i>ActiFormCool</i>	<u>Square</u>	10cm x 10cm	229
	<u>Rectangular</u>	10cm x 15cm	329
<i>Aquafto</i>	<u>Discs</u>	3.8cm	241
		7.5cm	250
		12cm	516
<i>Curagel</i>	<u>Rectangular</u>	5cm x 7.5cm	174
	<u>Square</u>	10cm x 10cm	271
<i>Gel FX</i>	<u>Square</u>	10cm x 10cm	160
		15cm x 15cm	320
	<u>Rectangular</u>	10cm x 15cm	220
<i>Geliperm</i>	<u>Square</u>	10cm x 10cm	223
<i>Hydrosorb</i>	<u>Square</u>	10cm x 10cm	279
		20cm x 20cm	672
	<u>Rectangular</u>	5cm x 7.5cm	177
<i>Novogel</i>	<u>Square</u>	10cm x 10cm	295 △
		30cm x 30cm (0.15cm thickness)	1180 △
		30cm x 30cm (0.30cm thickness)	1250 △
	<u>Rectangular</u>	5cm x 7.5cm	188 △
		15cm x 20cm	563 △
		20cm x 40cm	1073 △
	<u>Circular</u>	7.5cm Diameter	268 △
Polyurethane Foam Dressing BP - Sterile			
Indications: Light to medium exudating wounds.			
Precautions: Not recommended for dry superficial wounds. Dressings should be secured at the edge by adhesive tape. Dressing should not be covered by occlusive tape or film. Secondary absorbent dressing is not required.			
<i>Lyof foam</i>		7.5cm x 7.5cm	97
		10cm x 10cm	114
		17.5cm x 10cm	178
		20cm x 15cm	240

IXA

APPLIANCES

Appliance	Size or Weight	Basic Price p each
DRESSINGS		
WOUND MANAGEMENT DRESSINGS		
Polyurethane Foam Film Dressing - Sterile - With Adhesive		
Border Light to medium exudating wounds		
Specification 47 and/or CE marked		
Precautions: Not recommended for dry superficial wounds.		
<i>Allevyn Lite Island</i>		
<u>Square</u>	13.5cm x 13.5cm (wound contact pad 7.5cm x 7.5cm + border 3cm)	223
	16cm x 16cm (wound contact pad 10cm x 10cm + border 3cm)	265
<u>Rectangular</u>	9.75cm x 16.5cm (wound contact pad 3.75cm x 10.5cm + border 3cm)	171
	13.5cm x 23.5cm (wound contact pad 7.5cm x 17.5cm + border 3cm)	341
<i>Lyof foam Extra Adhesive</i>		
<u>Square</u>	9cm x 9cm (wound contact pad 5cm x 5cm + border 2cm)	120
	15cm x 15cm (wound contact pad 10cm x 10cm + border 2.5cm)	225
	22cm x 22cm (wound contact pad 15cm x 15cm + border 3.5cm)	444
<u>Sacral</u>	15cm x 13cm (wound contact pad 10cm x 8cm + border 2.5cm)	184
	22cm x 26cm (wound contact pad 15cm x 19cm + border 3.5cm)	349
<i>Tielle</i>		
<u>Square</u>	11cm x 11cm (wound contact pad 7cm x 7cm + border 2cm)	220
	15cm x 15cm (wound contact pad 11cm x 11cm + border 2cm)	360
	18cm x 18cm (wound contact pad 14cm x 14cm + border 2cm)	459
<u>Rectangular</u>	7cm x 9cm (wound contact pad 3cm x 5cm + border 2cm)	119
	15cm x 20cm (wound contact pad 11cm x 16cm + border 2cm)	451
<i>Tielle Sacrum</i>		
<u>Square</u>	18cm x 18cm (wound contact pad 12cm x 10cm + border 3 - 5cm)	333
Polyurethane Foam Film Dressing - Sterile - Without Adhesive		
Border Light to medium exudating wounds		
<i>Allevyn Lite</i>		
<u>Square</u>	5cm x 5cm	98
	10cm x 10cm	177
<u>Rectangular</u>	10cm x 20cm	304
	15cm x 20cm	379
<i>Allevyn Thin (adhesive)</i>		
<u>Square</u>	10cm x 10cm	183
	15cm x 15cm	302
<u>Rectangular</u>	5cm x 6cm	91
	15cm x 20cm	367
<i>Flexipore (adhesive)</i>		
<u>Square</u>	10cm x 10cm	173
	20cm x 20cm	506
<u>Rectangular</u>	6cm x 7cm	93
	10cm x 30cm	360
	15cm x 20cm	370
<i>Lyof foam Extra (non adhesive)</i>		
<u>Square</u>	10cm x 10cm	191
<u>Rectangular</u>	10cm x 17.5cm	323
	15cm x 20cm	419
<i>Tielle Borderless</i>		
<u>Square</u>	11cm x 11cm	260
	15cm x 15cm	420
<i>Transorbent (adhesive)</i>		
<u>Square</u>	10cm x 10cm	178
	15cm x 15cm	327
	20cm x 20cm	523
<u>Rectangular</u>	5cm x 7cm	94
Polyurethane Foam Film Dressing - Sterile - With Adhesive Border		
Lightly to non-exuding wounds		
<i>Tielle Lite</i>		
<u>Square</u>	11cm x 11cm (wound contact pad 7cm x 7cm + border 2cm)	212
<u>Rectangular</u>	7cm x 9cm (wound contact pad 3cm x 5cm + border 2cm)	112
	8cm x 15cm (wound contact pad 4cm x 11cm + border 2cm)	261
	8cm x 20cm (wound contact pad 4cm x 16cm + border 2cm)	275

APPLIANCES

Appliance	Size or Weight	Basic Price p each
DRESSINGS		
WOUND MANAGEMENT DRESSINGS		
Polyurethane Foam Film Dressing - Sterile - With Adhesive Border		
Moderate to heavily exuding wounds		
<i>3M Foam Adhesive Dressing</i>		
<u>Square</u>	14cm x 14cm (wound contact pad 10cm x 10cm + border 2cm)	331
<u>Oval</u>	10cm x 11cm (wound contact pad 6cm x 7.6cm + border 1.7-2cm)	224
	14cm x 15cm (wound contact pad 10cm x 11cm + border 2cm)	397
	19cm x 22.2cm (wound contact pad 14cm x 17.1cm + border 2.5cm)	651
<u>Circular (Heel)</u>	14cm x 14cm (wound contact pad 7.6cm x 7.6cm + border 3.2cm)	398
<i>ActivHeal</i>		
<u>Square</u>	10cm x 10cm (wound contact pad 5cm x 5cm + border 2.5cm)	157
	15cm x 15cm (wound contact pad 11cm x 11cm + border 2cm)	192
<i>Allevyn Adhesive (Adhesive faced pad)</i>		
<u>Square</u>	7.5cm x 7.5cm (wound contact pad 5cm x 5cm + border 1.25cm)	129
	10cm x 10cm (wound contact pad 7.5cm x 7.5cm + border 1.25cm)	189
	12.5cm x 12.5cm (wound contact pad 10cm x 10cm + border 1.25cm)	232
	17.5cm x 17.5cm (wound contact pad 15cm x 15cm + border 1.25cm)	458
	22.5cm x 22.5cm (wound contact pad 20cm x 20cm + border 1.25cm)	667
<u>Rectangular</u>	12.5cm x 22.5cm (wound contact pad 10cm x 20cm + border 2cm)	361
<i>Anatomically Shaped Sacral Dressing</i>		
	17cm x 17cm (wound contact pad 13cm x 13cm + border 2cm)	349 Δ
	22cm x 22cm (wound contact pad 18cm x 18cm + border 2cm)	502
<i>Allevyn Plus Adhesive</i>		
<u>Square</u>	12.5cm x 12.5cm (wound contact pad 10cm x 10cm + border 1.25cm)	285
	17.5cm x 17.5cm (wound contact pad 15cm x 15cm + border 1.25cm)	550
<u>Rectangular</u>	12.5cm x 22.5cm (wound contact pad 10cm x 20cm + border 2cm)	505
<i>Biatain Adhesive</i>		
<u>Square</u>	10cm x 10cm (circular wound contact pad 6cm diameter + irregular border)	150
	12cm x 12cm (wound contact pad 8cm x 8cm + border 2cm)	225
	18cm x 18cm (wound contact pad 13cm x 13cm + border 2.5cm)	450
<u>Sacral</u>	23cm x 23cm (wound contact pad 13cm x 13cm + border 5cm)	385
<u>Heel Dressing</u>	19cm x 20cm (wound contact pad 12cm x 13cm + border 3.5cm)	449
<u>Contour</u>	17cm diameter (wound contact pad 8cm diameter + irregular border)	426
<u>Circular</u>	see under 'Square' with circular pad	
<i>Curafoam Island</i>		
<u>Square</u>	10cm x 10cm (wound contact pad 5cm x 4cm + border 2.5-3cm)	121
	15cm x 15cm (wound contact pad 9.5cm x 9.5cm + border 2.75cm)	219
	20cm x 20cm (wound contact pad 13cm x 14cm + border 3.0-3.5cm)	434
<i>PermaFoam Comfort</i>		
<u>Square</u>	11cm x 11cm (wound contact pad 6cm x 6cm + border 2.5cm)	190
	15cm x 15cm (wound contact pad 10cm x 10cm + border 2.5cm)	310
	20cm x 20cm (wound contact pad 14cm x 14cm + border 3cm)	450
<u>Rectangular</u>	10cm x 20cm (wound contact pad 5cm x 14cm + border 2.5-3cm)	300

IXA

APPLIANCES

Appliance	Size or Weight	Basic Price p
-----------	----------------	---------------

DRESSINGS**WOUND MANAGEMENT DRESSINGS***Tielle Plus*Square

11cm x 11cm (wound contact pad 7cm x 7cm + border 2cm) 244

15cm x 15cm (wound contact pad 11cm x 11cm + border 2cm) 398

Rectangular

15cm x 20cm (wound contact pad 11cm x 16cm + border 2cm) 499

Sacrum

15cm x 15cm (wound contact pad 7.2cm x 10cm + border 2.5-5.3cm) 290

*Trufoam*Square

11cm x 11cm (wound contact pad 7cm x 7cm + border 2cm) 204

15cm x 15cm (wound contact pad 11cm x 11cm + border 2cm) 341

Rectangular

7cm x 9cm (wound contact pad 3cm x 5cm + border 2cm) 107

15cm x 20cm (wound contact pad 11cm x 15cm + border 2.5cm) 428

Appliance	Size or Weight	Basic Price p
-----------	----------------	---------------

Polyurethane Foam Film Dressing - Sterile - Without Adhesive Border**Moderate to heavily exuding wounds**

Appliance	Size or Weight	Basic Price p		
<i>3M Foam Dressing</i>	<u>Square</u>	8.9cm x 8.9cm (Fenestrated) each	209	
		10cm x 10cm	205	
		20cm x 20cm	555	
	<u>Rectangular</u>	10cm x 20cm	348	
		10cm x 60cm	1175	
		10cm x 10cm	109	
<i>AcitvHeal</i>	<u>Square</u>	10cm x 10cm	80	
	<u>Rectangular</u>	5cm x 7.5cm	45	
<i>Allevyn Compression</i>	<u>Square</u>	10cm x 10cm	223	
		15cm x 15cm	372	
	<u>Rectangular</u>	5cm x 6cm	108	
		15cm x 20cm	424	
<i>Allevyn Non-Adhesive</i>	<u>Square</u>	5cm x 5cm	110	
		10cm x 10cm	217	
		20cm x 20cm	582	
	<u>Rectangular</u>	10cm x 20cm	349	
		Heel (Cup Shaped)	10.5cm x 13.5cm	435
		<u>Circular</u>	5cm diameter	107
<i>Biatain Non-Adhesive</i>	<u>Square</u>	8cm diameter	150	
		10cm x 10cm	207	
	<u>Rectangular</u>	15cm x 15cm	382	
		20cm x 20cm	568	
<i>Curafoam Plus</i>	<u>Square</u>	6cm x 6cm	106	
		10cm x 10cm	165	
		20cm x 20cm	504	
	<u>Rectangular</u>	10cm x 13cm	205	
		10cm x 20cm	320	
<i>Hydrafoam</i>	<u>Square</u>	10cm x 10cm	173	
		15cm x 15cm	332	
		20cm x 20cm	515	
	<u>Rectangular</u>	10cm x 20cm	310	
	<i>Kerraboot</i>	<u>Boot Shaped</u>	Small	1400
Large			1400	

APPLIANCES

Appliance	Size or Weight	Basic Price p
DRESSINGS		
WOUND MANAGEMENT DRESSINGS		
each		
<i>PermaFoam</i>	<u>Square</u>	10cm x 10cm
		15cm x 15cm
		20cm x 20cm
	<u>Rectangular</u>	10cm x 20cm
<i>Tielle Plus Borderless</i>	<u>Square</u>	11cm x 11cm
	<u>Rectangular</u>	15cm x 20cm
<i>Trufoam NA</i>	<u>Square</u>	5cm x 5cm
		10cm x 10cm
		15cm x 15cm
Packed in outer container not exceeding 10 units.		
Polyurethane Matrix Dressing		
<u>Indications:</u> Light to medium exudating wounds		
With Adhesive Border		
<i>Cutinova Hydro Border</i>		
	<u>Square</u>	15cm x 15cm (wound contact pad 10cm x 10cm + border 2.5cm)
	<u>Rectangular</u>	10cm x 11cm (wound contact pad 5cm x 6cm + border 2.5cm)
		17cm x 20cm (wound contact pad 12cm x 15cm + border 2.5cm)
Without Adhesive Border		
<i>Cutinova Hydro</i>		
	<u>Square</u>	10cm x 10cm
	<u>Rectangular</u>	5cm x 6cm
		15cm x 20cm
Protease Modulating Matrix - Sterile		
<u>Indications:</u> Suitable for all wounds healing by secondary intent which are clear of necrotic tissue.		
<i>Promogran</i>		28cm ² (matrix is hexagonal in shape)
		123cm ² (matrix is hexagonal in shape)
Silicone Gel Sheet		
<u>Indications:</u> For prevention treatment - Keloid and Hypertrophic scars.		
<i>Advasil</i>	<u>Square</u>	10cm x 10cm
<i>Cica-Care</i>	<u>Rectangular</u>	6cm x 12cm
		15cm x 12cm
<i>Mepiform</i>	<u>Rectangular</u>	5cm x 7.5cm
		10cm x 18cm
		4cm x 30cm
<i>Silgel</i>	<u>Square</u>	10cm x 10cm
		20cm x 20cm
		40cm x 40cm
	<u>Rectangular</u>	10cm x 5cm
		15cm x 10cm
		30cm x 5cm
		10cm x 30cm
	<u>Shaped</u>	5cm Diameter
		25cm x 15cm
		46cm x 8.5cm
Silicone Topical Cream & Gel		
<u>Indications:</u> For prevention treatment - Keloid and Hypertrophic scars.		
<i>Dermatix</i>		15g tube
<i>Silgel STC-SE (gel)</i>		20ml tube

IXA

APPLIANCES

Appliance	Size or Weight	Basic Price p	
DRESSINGS			
WOUND MANAGEMENT DRESSINGS			
Silver Coated Barrier Dressings - Sterile			
<i>Acticoat</i>	<u>Square</u>	5cm x 5cm 303 △	
		10cm x 10cm 741	
<i>Acticoat Absorbent</i>	<u>Rectangular</u>	10cm x 20cm 1158	
		20cm x 40cm 3963 △	
	<u>Rectangular</u>	10cm x 12.5cm 1113	
<i>Acticoat 7</i>	<u>Square</u>	5cm x 5cm 527 △	
		15cm x 15cm 2823	
	<u>Rectangular</u>	10cm x 12.5cm 1570	
Silver Impregnated Polyurethane Foam Film Dressings			
With Adhesive Border			
<i>Avance A</i>	<u>Square</u>		
		9cm x 9cm (wound contact pad 5cm x 5cm + border 2cm) 218	
		12cm x 12cm (wound contact pad 8cm x 8cm + border 2cm) 361	
		15cm x 15cm (wound contact pad 10cm x 10cm + border 2.5cm) 442	
<i>Sacral</i>		15cm x 13cm (wound contact pad 10cm x 8cm + border 2.5cm) 325	
	<i>Contreet Foam</i>	<u>Square</u>	
			12.5cm x 12.5cm (wound contact pad 8cm x 8cm + border 2.25cm) 807
		18cm x 18cm (wound contact pad 13cm x 13cm + border 2.5cm) 1620	
Without Adhesive Border			
<i>Avance</i>	<u>Square</u>	10cm x 10cm 259	
	<u>Rectangular</u>	10cm x 17.5cm 413	
		15cm x 20cm 571	
<i>Contreet Foam</i>	<u>Square</u>	10cm x 10cm 706	
		15cm x 15cm 1417	
Soft Polymer Wound Contact Dressing			
CE			
<i>Physiotulle</i>		10cm x 10cm 198	
		15cm x 20cm 602	
<i>Tegapore</i>		7.5cm x 10cm 213	
		7.5cm x 20cm 417	
		20cm x 25cm 1016	
<i>Urgotul</i>		10cm x 10cm 238	
		10cm x 12cm 286	
		10cm x 40cm 934	
		15cm x 20cm 723	
Soft Polymer Wound Contact Dressing Impregnated with Silver			
<i>Urgotul SSD</i>		10cm x 12cm 284	
		15cm x 20cm 717	
Soft Silicone Wound Contact Dressing - Sterile			
CE			
Indications: Non-exuding to heavily exuding wounds.			
Should be covered with a simple absorbent secondary dressing.			
Precautions: Dressing should be used with care in heavily bleeding wounds.			
<i>Mepilex Transfer</i>		15cm x 20cm 917	
		20cm x 50cm 2342	
<i>Mepitel</i>		5cm x 7cm 144	
		8cm x 10cm 288	
		12cm x 15cm 583	
		20cm x 30cm 1499	

APPLIANCES

Appliance	Size or Weight	Basic Price p
DRESSINGS		
WOUND MANAGEMENT DRESSINGS		
Soft Silicone Wound Contact Dressing with Polyurethane Foam Film Backing - Sterile		
CE		
Precautions: Dressing should be used with care in heavily bleeding wounds.		
<i>Mepilex</i>	10cm x 10cm	229
	10cm x 20cm	377
	15cm x 15cm	425
	20cm x 20cm	630
<i>Mepilex Lite</i>	6cm x 8.5cm	160
	10cm x 10cm	191
	15cm x 15cm	371
	20cm x 50cm	2342
With Silicone Adhesive Border		
<i>Mepilex Border</i>	7.5cm x 7.5cm	133
	10cm x 10cm	240
	15cm x 15cm	393
	15cm x 20cm	492
Wound Drainage Pouch		
CE		
Indications: Suitable for wounds with a low volume of exudate		
<i>Biotrol Draina S Fistula</i> for wound drainage and fistula management		pack of 30
Mini (Cut to 20mm) 150ml Capacity (H0856OE)		6900
<i>Oakmed Option Wound Manager</i> cut-to-fit:		
10mm - 30mm Small (OM-S)		6210
10mm - 50mm Medium (OM-M)		6880
10mm - 50mm Large (OM-L)		7206
Indications: Suitable for wounds with a high volume of exudate		
<i>ADT Medical Derasure</i>		each
For wounds up to:		
Small (9cm x 16cm) 7OS3010		1500
Medium (15cm x 27cm) 7OS3020		2000
<i>Biotrol Draina S Fistula</i> for wound drainage and fistula management		pack of 10
Small (Cut to 75mm) 350ml Capacity (H08555E)		3507
Large (Cut to 85mm) 500ml Capacity (H08556E)		4313
<i>ConvaTec Wound Manager</i>		each
For wounds up to:		
Small (7.6cm x 7.6cm)		912
Medium (7.6cm x 18cm)		1520
Large (10cm x 23cm)		2005
<i>Oakmed Option Wound Manager</i>		pack of 10
Small (horizontal wounds upto 245mm wide x 160mm high) (WWM-S)		11250
Medium (vertical wounds upto 90mm wide x 260mm high) (WWM-M)		11500
Square (vertical wounds upto 160mm wide x 200mm high) (WWM-SQ)		12000
Small with Access Port (horizontal wounds upto 245mm wide x 160mm high) (WWM-SA)		11750
Medium with Access Port (vertical wounds upto 90mm wide x 260mm high) (WWM-MA)		12000
Square with Access Port (vertical wounds upto 160mm wide x 200mm high) (WWM-SQA)		12500

IXA

APPLIANCES

Appliance	Size or Weight	Basic Price p
DROPPERS		
Glass, with bull-nose or curved flat end fitted (each in box) with good quality rubber teat. Where appropriate, a dropper should be supplied with eye, ear and nasal drops (See Part IV, containers and Part XVI (9.1.6) for details of prescription charges payable).		each 29
DRY MOUTH PRODUCTS		
Saliva Replacement		
<i>Salinum</i>	300ml	1350
Saliva Stimulating		
SST Saliva Stimulating Tablets	container of 100	486
EAR WAX SOFTENING MEDICAL DEVICES		
<i>Sodium Bicarbonate Ear Drops</i> (Thornton & Ross)	10ml	125

ELASTIC HOSIERY**Graduated Compression Hosiery**

Specification 40

Explanation of Garments

*N.B. The "Class" can be expressed either with roman or arabic numerals.*Class I Light (Mild) Support

Compression at ankle 14mm Hg - 17mm Hg

Indications - Superficial or early Varices. Varicosis during pregnancy.

Styles - Thigh length or below knee with knitted in heel (reciprocated).

Class II Medium (Moderate) Support

Compression at ankle 18mm Hg - 24mm Hg

Indications - Varices of medium severity

- Ulcer Treatment and prevention of recurrence. Mild oedema

- Varicosis during pregnancy

- Anklets and kneecaps: for soft tissue support

Styles - Thigh length or below knee with knitted in heel (reciprocated)

Class III

Strong support

Compression at ankle 25mm Hg - 35mm Hg

Indications - Gross varices

- Post Thrombotic Venous Insufficiency

- Gross Oedema

- Ulcer Treatment and prevention of recurrence

- Anklets and kneecaps: for soft tissue support

Styles - Thigh length or below knee open or knitted in heel (reciprocated)

General NotesPrescribing

Before the prescription can be dispensed the following details must be given by the prescriber.

- Quantity - single or pair
- Article including any accessories (see pages 144-146 for knit, style and price)
- Compression Class I, II or III

Constructional Specification

The complete structural specification, as well as performance requirements are contained in Drug Tariff

Specification No. 40.

Specially Made Garments

- In cases where stock sizes are not suitable for patients owing to irregular limb dimensions, surgical stockings in the prescribed compression class, to be made to the patient's individual measurements, should be specified.
- All such garments are specially shaped during manufacture and may have a knitted in or open heel and open or knitted in toe.

Sizing

All articles must conform to BS 6612:1985 with regard to size designation.

APPLIANCES

ELASTIC HOSIERYLabelling

All articles must state clearly on the packaging that they conform with Drug Tariff Technical Specification No 40. The packaging should also provide clear washing instructions in conformity with handwashing at 40°C as defined in BS 2747 and washing instructions should be durably and clearly marked on each garment. The packaging should clearly define the garments percentage and fibre content.

Anklets and Kneecaps (see page 146)

DESCRIPTION OF ARTICLES AVAILABLE				
Compression Class (See page 144)	Type of Garment		Standard Stock Sized Garments Supplied	* Made-to-Measure Garments Supplied
	Knit	Style	Price per pair in pence	Price per pair in pence
CLASS I	Circular	Thigh	690	3420
		B. Knee	630	2140
	Lt. Wt Elas.Net	Thigh B. Knee		1847 1441
CLASS II	Circular	Thigh	1025	3424
		B. Knee	921	2142
	Net	Thigh		1847
		B. Knee		1441
CLASS III	Circular	Thigh	1214	3424
		B. Knee	1044	2142
	Flat Bed (formerly One Way Stretch)	Thigh B. Knee		3424 2142
Accessories				Price per item in pence
				Additional Price for Fitted Suspender
				60
				Spare Suspender for thigh stockings
				60
				Suspender Belt Drug Tariff Specification No. 13
				459

NB: *The reimbursable price for one item is half the price of a pair.*

More than one prescription charge is payable where: more than one piece of elastic hosiery is supplied (see Part XVI sub paragraph 10.12).

* All such garments are specially shaped during manufacture and many have a knitted in or open heel and open or knitted in toe with the following exceptions:

Class II/III - Flat Bed Knit can only be supplied with closed heel and open toe.

Note: Prescriptions should be endorsed with the style, ie, fabric or knit supplied.

For Above Knee Stockings - see Thigh Length.

APPLIANCES**ELASTIC HOSIERY**

COMPRESSION CLASS	DESCRIPTION OF ARTICLES AVAILABLE		Standard Stock Sized Garments	Made-to-Measure Garments
	Knit	Type of Garment	Price per pair in pence	Price per pair in pence
CLASS II	Circular	Anklet	604	604
		Kneecap	604	604
	Flat Bed	Anklet	1254	1254
		Kneecap	1254	1254
	Net	Anklet		1186
Kneecap			985	
CLASS III	Circular	Anklet	842	842
		Kneecap	805	805
	Flat Bed (formerly One Way Stretch)	Anklet	842	1254
		Kneecap	805	1254

NB: The reimbursable price for one item is half the price of a pair.

More than one prescription charge is payable when more than one piece of elastic hosiery is supplied. (see Part XVI sub paragraph 10.12).

Appliance	Size or Weight	Basic Price p
EYE BATHS		
Squat shape, with finger grips, rigid plastics smooth inner surface and base, rounded rim		each 21
EYE DROPS DISPENSERS		
<i>Opticare</i>	(for 2.5, 5, 10, 15 & 20ml bottles)	492
<i>Opticare Arthro 5</i>	(for 2.5 & 5ml bottles)	492
<i>Opticare Arthro 10</i>	(for 10, 15, 20ml bottles)	492
EYE SHADES		
Plastics, semi-rigid, non flam., perforation along top for ventilation, to fit either eye		27
FINGER COTS		
Seamless latex	box of 10	per box 29
FINGER STALLS		
Simulated Leather	Small, Medium, Large & Extra Large	each 39
GAUZES		
Absorbent Cotton Gauze, Type 13 Light BP 1988, sterile (Syn: Absorbent Gauze)	90 cm x 1 m	96
	90 cm x 3 m	201
Where no quantity is stated by the prescriber the 1 m packet should be supplied.	90 cm x 5 m	313
	90 cm x 10 m	600
Absorbent Cotton Gauze, Type 13 Light BP 1988 not sterilised (Syn. Absorbent Gauze)	25 m roll	1374

APPLIANCES

Appliance	Size or Weight	Basic Price p
GAUZES		
Absorbent Cotton and Viscose Ribbon Gauze BP 1988 Sterile	1.25 cm x 5 m	72
	2.5 cm x 5 m	80
GAUZE PADS/SWABS - See SWABS		
GAUZE TISSUES		
Gauze and Cotton Tissue BP 1988 (Absorbent Gauze Tissue; Gauze Tissue)	500g	624
Gauze and Cotton Tissue (Drug Tariff) Specification 14 To be supplied only where specifically ordered.	500g	456
HEAD LICE DEVICE		
<i>Bug Buster Kit</i> (Kit containing 3 Bug Buster combs, 1 Nit Buster comb, 1 wide tooth comb plus a protective cape). The Bug Buster Kit works in combination with ordinary shampoo and hair conditioner - no additional medicated products are required.		each 431
<i>Nitty Gritty NitFree</i> Steel Nit comb with Microgrooved Teeth		567
HYPODERMIC EQUIPMENT		
A. Hypodermic Needles		32
Specification 15 British Standard 3522 Luer Mount Needles NB: The appropriate British Standard Needles must be supplied if the old "Hypo" sizes are ordered		
B. Hypodermic Syringes		
Glass barrels with Luer taper conical fittings.		
(i) <u>Syringes for use with U100 Insulin</u>		
U100 Insulin Syringe	0.5ml	1491
Where the size is not specified by the prescriber the 0.5ml syringe should normally be supplied unless the patient is known to take more than 50 units of insulin per injection.	1ml	1491
(ii) <u>Syringes for use with drugs other than insulin</u>		
Ordinary Purpose Syringe	1ml	835
Specification 16 British Standard 1263 Luer mount syringe.	2ml	835

IXA

APPLIANCES

Appliance	Size or Weight	Basic Price p
-----------	----------------	---------------

HYPODERMIC EQUIPMENT**C. Single Patient-Use Products**

- (i) **U100 Insulin Syringes with Needle - Sterile, Single-use or Single Patient-use** for the injection of U100 Insulin by diabetics in the community.

Shall comply with the requirements of BS 7548:1992

COLOUR CODING: The colour orange is used to distinguish U100 insulin syringes.

Note:

When the size is not specified by the prescriber the 0.5ml syringe with needle should be supplied. If the patient is known to inject more than 50 units of insulin per injection the 1.0ml syringe shall be supplied.

Needles 8mm long shall have a range of needle diameters as follows:

0.33mm (29G) and 0.3mm (30G)

Size	per 10
0.3ml syringe and needle	125
0.5ml syringe and needle	121
1.0ml syringe and needle	120

Needles 12mm long shall have a range of needle diameters as follows:

0.45mm (26G), 0.4mm (27G), 0.36mm (28G) and 0.33mm (29G)

Size	per 10
0.3ml syringe and needle	134
0.5ml syringe and needle	130
1.0ml syringe and needle	131

- (ii) **Hypodermic Needles-Sterile, Single-use**

Shall comply with the requirements of BS 5081: Part 2: 1987:

0.4mm size needles shall comply with the requirements of the above BS and the needle tube shall have the properties given in Annex D of BS 7548: 1992.

For use with the re-usable glass syringes listed in this Tariff on page 147.

The needles shall be of a length not less than 12mm and the following diameters may be supplied:

Size	each
0.5 mm (25G)	100 248
0.45 mm (26G)	100 248
0.4 mm (27G)	100 248

Appliance	Size or Weight	Basic Price p
-----------	----------------	---------------

D. Reusable Pens

	Cartridge Size	Dial up unit dose	each
<i>Autopen</i> (Owen Mumford)	3.0ml	1 unit (1-21 units)	1466
	3.0ml	2 unit (2-42 units)	1466
	1.5ml	1 unit (1-16 units)	1466
	1.5ml	2 unit (2-32 units)	1466
<i>Autopen 24</i> (Owen Mumford)	3.0ml	1 unit (1-21 units)	1444
	3.0ml	2 unit (2-42 units)	1444
<i>Autopen Junior</i> (Owen Mumford)	3.0ml	1 unit (1-21 units)	1466
	3.0ml	2 unit (2-42 units)	1466
<i>Autopen Special Edition</i> (Owen Mumford)	3.0ml	1 unit (1-21 units)	1466
	3.0ml	2 unit (2-42 units)	1466

APPLIANCES

Appliance	Size or Weight	Basic Price	p
HYPODERMIC EQUIPMENT			
<i>HumaPen Ergo</i>			
(Lilly)			
(Burgundy)	3.0ml	1 unit (1-60 units)	2239
(Teal)	3.0ml	1 unit (1-60 units)	2239
<i>Innovo</i>			
(Green)	3.0ml	1 unit (1-70 units)	2636
(Orange)	3.0ml	1 unit (1-70 units)	2636
(Novo Nordisk)			
<i>NovoPen 3</i>			
<i>Classic</i>	3.0ml	1 unit (2-70 units)	2361
<i>Demi</i>	3.0ml	0.5 unit (1-35 units)	2361
<i>Fun</i>	3.0ml	1 unit (2-70 units)	2361
(Novo Nordisk)			
<i>NovoPen Junior</i>			
(Green)	3.0ml	0.5 unit (1-35 units)	2321
(Yellow)	3.0ml	0.5 unit (1-35 units)	2321
(Novo Nordisk)			
<i>Optipen Pro 1</i>	3.0ml	1 unit (1-60 units)	2200
(Aventis)			
E. Needles for Pre-filled and Reusable Pen Injectors			
Screw On		100 pack	
Needle length less than or equal to 6.1mm			1187
Needle length between 6.2mm and 9.9mm			842
Needle length equal to or greater than 10mm			842
The approved manufacturers of these products are Novo Nordisk, Becton Dickinson, Owen Mumford and Exelint International Europe Ltd.			
Snap On			
Needle length less than or equal to 6.1mm			1162
Needle length between 6.2mm and 9.9mm			824
Needle length equal to or greater than 10mm			824

The approved manufacturer of this product is Disotronic Medical Systems Ltd.

APPLIANCES

Appliance	Size or Weight	Basic Price	p
HYPODERMIC EQUIPMENT			
F. Lancets - Sterile, Single-Use			each
Ⓢ Type A - Mount Fluted Longitudinally			
Ⓢ Type B - Mount with Concentric Ribs			
Ⓢ Type C - Device Specific			
Ⓢ <i>Ascensia Microlet Lancets</i> (formerly Microlet Lancets) (Bayer Diagnostics)	0.5mm/28 gauge	100	348
		200	663
Ⓢ <i>Cleanlet Fine</i> (Gainor Medical)	0.36mm/28gauge	100	319
		200	613
Ⓢ <i>EZ-Lets</i> (Arctic Medical Ltd)	0.76mm/21 gauge	100	330
		200	635
	0.66mm/23 gauge	100	330
		200	635
Ⓢ <i>EZ-Lets Thin</i> (Arctic Medical Ltd)	0.36mm/28gauge	100	330
		200	635
Ⓢ <i>FinePoint</i> (LifeScan UK)	0.5mm/25 gauge	100	348
Ⓢ <i>Freestyle</i> (Therasense Ltd)	0.5mm/25 gauge	100	330
Ⓢ <i>GlucoMen (Fine)</i> (A. Menarini Diagnostics)	0.45mm/26 gauge	100	336
		200	650
Ⓢ <i>MediSense Thin Lancets</i> (MediSense Ltd)	0.36mm/28 gauge	200	651
Ⓢ <i>Micro-Fine +</i> (Becton Dickinson)	0.30mm/30 gauge	200	613
<i>Microlet Lancets see Ascensia Microlet Lancets</i>			
Ⓢ <i>Milward Steri-Let</i> (Entaco)	0.66mm/23 gauge	100	300
		200	570
	0.36mm/28 gauge	100	300
		200	570
Ⓢ <i>Monolet</i> (Sherwood Medical)	0.8 mm/21gauge	100	328
		200	624
Ⓢ <i>Monolet Extra</i> (Sherwood Medical)	0.8 mm/21gauge	100	328
Ⓢ <i>One Touch UltraSoft</i> (LifeScan UK)	0.4mm/28 gauge	100	342
Ⓢ <i>ProCare</i> (VitalCare UK)	0.36mm/28 gauge	100	320
		200	620

APPLIANCES

Appliance	Size or Weight	Basic Price p
HYPODERMIC EQUIPMENT		
Ⓢ <i>Softclix</i> (Roche Diagnostics Ltd)	0.4mm/28 gauge	200 679
Ⓢ <i>Softclix XL</i> (Roche Diagnostics Ltd)	0.8mm/21 gauge	50 170
Ⓢ Ⓢ <i>Unilet ComforTouch</i> (Owen Mumford Ltd)	0.375mm/28gauge	100 334 200 633
Ⓢ <i>Unilet General Purpose</i> (Owen Mumford Ltd)	0.81mm/21gauge	100 340 200 647
Ⓢ <i>Unilet General Purpose Superlite</i> (Owen Mumford Ltd)	0.66mm/23 gauge	100 340 200 645
Ⓢ <i>Unilet Superlite</i> (Owen Mumford Ltd)	0.66mm/23 gauge	100 340 200 645
Ⓢ <i>Vitrex Soft</i> (Vitrex Medical Ltd)	0.65mm/23 gauge	100 300 200 570
<i>Vitrex Gentle</i> (formerly Vitrex Soft) (Vitrex Medical Ltd)	0.36mm/28gauge	100 319 200 613
<hr/>		
Appliance	Size or Weight	Basic Price p
G. Accessories		each
Needle Clipping (Chopping) Device		122
<i>Sharpsbin</i>	1 litre	85
H. Needle-Free Insulin Delivery Systems	Order Number	
<i>Injex</i> Starter Set	60500	14650
(Set includes 1 needle-free delivery system, reset box, transporter, 9 disposable 10ml vial adaptors, 165 ampoules)		
<i>Injex</i> 4 monthly Refill Pack	60504	2400
(Pack contains 6 disposable 10ml vial adaptors, 100 ampoules)		
<i>Injex</i> Ampoule Pack	60501	1205
(Contains 50 ampoules)		
<i>Injex</i> 10ml Vial Adaptor Pack	60502	1200
(Contains 20 10ml vial adaptors)		
<i>mhi-500</i> Starter Kit		
(System includes 1 needle-free insulin delivery system, 1 practice nozzle system, 1 size 6 sterile nozzle assembly, 3 size 7 sterile nozzle assemblies, 2 disposable vial adaptors, 1 set of pressure rings)		
3ml vial adaptor	MH79002-01A	12000
10ml vial adaptor	MH79002-01	12212
<i>mhi-500</i> Vial Adaptor Pack		
(Contains 6 sterile vial adaptors)		
3ml vial adaptor	MH79002-14	738
10ml vial adaptor	MH79002-09	751
<i>mhi-500</i> 3-month Consumable Kit (10ml vial adaptor)		
(Kit contains 13 nozzle assemblies, 5 disposable 10ml vial adaptors)		
Size 6 nozzle	MH79002-07	2254
Size 7 nozzle	MH79002-08	2254

IXA

APPLIANCES

Appliance		Size or Weight	Basic Price p
HYPODERMIC EQUIPMENT			
<i>mhi-500</i> 3-month Consumable Kit (3ml vial adaptor) (Kit contains 13 nozzle assemblies, 15 disposable 3ml vial adaptors)			
	Size 6 nozzle	MH79002-12	3445
	Size 7 nozzle	MH79002-13	3445
<i>mhi-500</i> nozzle pack (Contains 6 sterile nozzle assemblies)			
	Size 6 nozzle	MH79002-10	751
	Size 7 nozzle	MH79002-11	751
INHALERS			
	Spare Tops - mouthpiece and cork		199
	See also Atomizers, Hand Operated, Nebulizers		
INSUFFLATORS			
Plastics - for inhalation of fine powders.			
	<i>Cyclohaler</i> (for use with Cyclocaps)		140
	<i>Intal Spinhaler</i> (for use with Intal Spincaps)		192
IRRIGATION FLUIDS			
Saline			each
<i>Flowfusor</i> (Fresenius Kabi)	Bellows Pack	1 x 120ml	150
<i>Fresenius Sodium Chloride 0.9% for Irrigation</i>	Pour Bottle	1 x 1000ml	95
<i>Irriclens</i> (ConvaTec)	Aerosol	1 x 240ml	300
<i>MiniVersol</i> (Aguettant Ltd)	Bottle	30 x 45ml	1500
	Bottle	30 x 100ml	2130
<i>Nine Lives</i> (Nine Lives)	Can	1 x 200ml	265
<i>Normasol</i> (Seton)	Sachet	25 x 25ml	595
		10 x 100ml	728
<i>Stericlens</i> (C D Medical Ltd)	Aerosol	100ml	194
		240ml	295
<i>Steripod</i> (Seton)	Pod	25 x 20ml	695
<i>Tubilux Nasal Drops</i> (Tubilux Pharma)	Dropper Bottle	1 x 10ml	99
Sterile Water			
<i>Baxter Water for Irrigation</i> (Baxter Healthcare)	Pour Bottle	1 x 500ml	70
	Pour Bottle	1 x 1000ml	80
<i>Fresenius Water for Irrigation</i> (Fresenius Kabi)	Pour Bottle	1 x 500ml	90
	Pour Bottle	1 x 1000ml	95

APPLIANCES

Appliance	Size or Weight	Basic Price p
IRRIGATION FLUIDS		
<i>MiniVersol</i> (Aguettant Ltd)	Bottle	30 x 45ml 1500
<i>Versol</i> (Aguettant Ltd)	Bottle	1 x 500ml 90
	Bottle	1 x 1000ml 95
<i>Note: The exact number of containers (ie aerosols, ampoules, pods, sachets or tubes) ordered by the prescriber is to be dispensed.</i>		
LARYNGECTOMY PROTECTORS - See "Tracheostomy and Laryngectomy Protectors" on page 165.		
LATEX FOAM, ADHESIVE , raised cotton backed	22.5cm x 45cm	per piece 427
Specification 19	7mm thick	
	Box of 4	
Cervical Collar - now listed in Part IXA		
LINT		each
Absorbent Lint BPC	25g	80
(Syn: Absorbent Cotton Lint; Cotton Lint; Plain Lint; White Lint)	100g	244
Where no quantity is stated on the prescription form the 25g pack is to be supplied.	500g	1026
LUBRICATING JELLY		
<i>Aquagel</i> Lubricating Jelly (sterile until opened)	5g sachet	18
	42g tube	106
	82g tube	176
<i>Elite</i> Lubricating Jelly	50ml pump	225
<i>K-Y</i> Jelly (sterile until opened)	42g tube	139 △
	82g tube	220 △
<i>Sutherland</i> Lubricating Jelly (sterile until opened)	5g sachet	18
	42g tube	124
	82g tube	194
NASAL DEVICE		pack of 2
<i>Nozovent</i> (Anglian Pharma)	Small	500
Nasal dilator to reduce snoring	Medium	500
	Large	500
NIPPLE SHIELDS, PLASTICS		56
(Not to be confused with Breast Shields)		
ORAL FILM FORMING AGENTS		each
<i>Gelclair</i>	21 x 15ml Sachets	2984

IXA

APPLIANCES

PEAK FLOW METERS

syn: P.F.M.

(Non-powered; hand-held)

Portable meters intended for single-patient use.

The standard range is suitable for use by both adults and children.The low range model is for adults or children with severely restricted airflow.

The Medicines and Healthcare products Regulatory Agency (MHRA) has announced the introduction of a new standard for Peak Flow Meters and published a Medical Device Alert providing further information in June 2004.

The Peak Flow Meters standard range will conform to the EU standard EN 13826.

The Peak Flow Meters low range will be CE marked and comply with EN 13826 in all aspects except for a reduced measurement range.

The new products will be available on 1 September 2004.

Contractors should note that the Drug Tariff Specification 51 standard and low range Peak Flow Meters were deleted on 1 September 2004 and are replaced with devices conforming to the new standard.

From 1 September 2004 only those Peak Flow Meters meeting the new standard can be prescribed, dispensed and reimbursed.

The Department of Health has been closely monitoring the continuity of supply of Drug Tariff Specification 51 Peak Flow Meters. This monitoring has indicated that there is no need for additional guidance on the reimbursement of these meters.

Manufacturer	Order No.	Basic Price p
<u>Standard Range</u> EN 13826		
Clement Clarke	3103388	686
Ferraris PiKo-1	346005-EU	950
Ferraris Pocket Peak	208(EU)/F	653
Micro Medical	MPE8200EU	650
Vitalograph	43602	595
Vitalograph Child	43703	595
<u>Low Range</u> CE marked (must comply with the EN 13826 except for scale range)		
Clement Clarke	3104708	690
Ferraris Pocket Peak	209(EU)/F	653
Vitalograph	43704	595

N.B:

1. "Low range" to be supplied only where specifically ordered.
2. Where the brand or manufacturer is not stated by the prescriber and has not been endorsed, the basic price must not exceed 595p.
3. Replacement recording charts (FP1010) are given by the prescribing doctor; they are also available from pharmacists.

Replacement Mouthpiece (Plastics)

(Not interchangeable between brands or manufacturers)

each

Replacement mouthpiece - suitable for both standard and low range models for use by adults or children

<i>Clement Clarke</i>	38
<i>Ferraris</i>	38
<i>Micro Medical</i>	38
<i>Vitalograph</i>	40

APPLIANCES

PESSARIES

Hodges Perspex Specification 20(i)	8 mm thick sizes	Diameter	each
Perspex Hodges Pessaries to be supplied against any orders for Vulcanite and Celluloid Hodges Pessaries.	1	60mm	401
	2	65mm	411
	3	68mm	420
	4	73mm	431
	5	78mm	441
	6	80mm	451
	7	82mm	460
	8	85mm	472
	9	88mm	482
	10	90mm	492
	11	95mm	501
	12	100mm	514
Ring Polythene Specification 20(ii)	7.5mm thick, 50-80mm (rising in 3mm)		
	7.5mm thick, 80-100mm (rising in 5mm)		175
	7.5mm thick, 110mm		
PVC Specification 20(iii)	1.25cm thick, 50-80mm (rising in 3mm)		
	1.25cm thick, 85-100mm (rising in 5mm)		190
	1.25cm thick, 110mm		

IXA

PLASTERS

Belladonna Adhesive Plaster BP 1980 (Syn: Belladonna Self-Adhesive Plaster; Belladonna Plaster)	Medium	each
	19cm x 12.5cm	79
Spool Plasters See Surgical Adhesive Tapes	Large	
	28cm x 17.5cm	135

PROTECTIVES

EMA Film Gloves-Disposable (Dispos-A-Gloves) Specification 21	Small	pack of 30
	Medium	222
	Large	
Polythene Occlusives, Disposable For use as occlusives with medicated creams.		
Gloves - Polythene, 100 gauge		pack of 25 51

APPLIANCES

STOCKINETTE

When Elasticated Stockinette is ordered or prescribed without qualification, the term is to be interpreted as Elasticated Tubular Bandage.

		each
Cotton Stockinette, Bleached BP 1988 Heavyweight	2.5cm x 1m	31
(Syn: Cotton Stockinette)	5cm x 1m	48
	7.5cm x 1m	58
	10cm x 6m	392

Elasticated Tubular Bandage BP

(Elasticated Surgical Tubular Stockinette; ESTS; Elasticated Stockinette)

Size	6.25 cm		6.75 cm		7.5 cm		8.75 cm		10.0 cm		12.0 cm	
Ref	B	B	C	C	D	D	E	E	F	F	G	G
Quantity	0.5m	1m	0.5m	1m	0.5m	1m	0.5m	1m	0.5m	1m	0.5m	1m
	(p)	(p)	(p)	(p)	(p)	(p)	(p)	(p)	(p)	(p)	(p)	(p)
<i>Comfigrip</i>	63	114	67	121	67	121	76	130	76	130	79	153
<i>Eesiban ESTS</i>	79	143	86	151	86	151	95	164	95	164	99	190
<i>easiGRIP</i>	61	110	65	117	65	117	74	126	74	126	77	147
<i>Sigma ETB</i>	61	110	65	117	66	119	74	126	74	126	77	147
<i>Textube</i>	57	104	60	109	60	109	68	114	68	114	73	140
<i>Tubigrip</i>	87	156	94	165	94	165	104	179	104	179	108	207

- Where the quantity is not stated by the prescriber the 0.5 metre length should be supplied.
- Where the size is not stated by the prescriber, the size supplied should be endorsed.
- Where the brand is not stated by the prescriber the basic price of this stockinette must not exceed:

Size and Quantity	each (p)		each (p)		each (p)
6.25cm x 0.5m	57	7.5cm x 0.5m	60	10.00cm x 0.5m	68
6.25cm x 1.0m	104	7.5cm x 1.0m	109	10.00cm x 1.0m	114
6.75cm x 0.5m	60	8.75cm x 0.5m	68	12.00cm x 0.5m	73
6.75cm x 1.0m	109	8.75cm x 1.0m	114	12.00cm x 1.0m	140

Appliance	Size or Weight	Basic Price p
Elasticated Surgical Tubular Stockinette Foam Padded		each
<i>(Tubipad)</i>		
Specification 25		
Heel, Elbow, Knee		
	small 'P4'	6.5cm x 60cm 263
	medium 'P4X'	7.5cm x 60cm 283
	large 'P5'	10cm x 60cm 303
Sacral		
	medium 'P9'	28cm x 27cm 1355
	large 'P9'	35cm x 27cm 1355

APPLIANCES

STOCKINETTE**Elasticated Viscose Stockinette - Bandage**

(Lightweight Elasticated Viscose Tubular Bandage)

Specification 46 and/or CE

Size		Basic Price (p) Each			
		<i>Acti-Fast</i>	<i>Comfast</i>	<i>Coverflex</i>	<i>Tubifast</i>
Small Limb 3.5cm (Red Line)	1m	74	64	72	80
Medium Limb 5.0cm (Green Line)	1m	80	68	75	87
	3m	227	194	220	248
	5m	389	333	380	423
Large Limb 7.5cm (Blue Line)	1m	106	92	105	116
	3m	299	256	250	326
	5m	522	447	495	568
Trunk (Child) 10.75cm (Yellow Line)	1m	170	146	165	185
	3m	486	417	475	530
	5m	836	716	835	911
Trunk (Adult) 17.5cm (Beige Line)	1m	215	184	220	234

IXA

Elasticated Viscose Stockinette - Garments

Appliance	Size	Basic Price p	
		<i>Comfast Easy Wrap</i>	<i>Tubifast</i>
			each
Clava	6 months-5 years	650	-
	5-14 years	750	-
Vest	6-24 months	792	1007
	2-5 years	1056	1343
	5-8 years	1188	1510
	8-11 years	1320	1678
	11-14 years	1320	1678
			per pair
Tights	6-24 months	792	1007
Leggings	2-5 years	1056	1343
	5-8 years	1188	1510
	8-11 years	1320	1678
	11-14 years	1320	1678
Socks	One Size	-	420
	Up to 8 years	330	-
	8-14 years	330	-
Mittens	Up to 24 months	330	-
	2-8 years	330	-
	8-14 years	330	-

APPLIANCES

Appliance	Size or Weight	Basic Price p
STOCKINETTE		
Elastic Net Surgical Tubular Stockinette		each
Specification 26		
<u>Type A (Netelast)</u>		
Arm/leg	1.8cm (Size C) x 40cm	38
<i>NB: The size must be specified by the prescriber.</i>		
Ribbed Cotton and Viscose Surgical Tubular Stockinette BP 1988		
<i>(Syn: Ribbed Cotton and Viscose Stockinette)</i>		
<u>Type A Lightweight (Seton)</u>		
Arm/leg (child); arm (adult)	5cm x 5m	222
Arm (OS adult); leg (adult)	7.5cm x 5m	292
Leg (OS adult)	10cm x 5m	387
Trunk (child)	15cm x 5m	558
Trunk (adult)	20cm x 5m	644
Trunk (OS adult)	25cm x 5m	770
<u>Type B Heavyweight (Eesiban)</u>		
Arm/leg (child); arm (adult)	5cm x 5m	222
Arm (OS adult); leg (adult)	7.5cm x 5m	292
Leg (OS adult)	10cm x 5m	387
Trunk (child)	15cm x 5m	558
Trunk (adult)	20cm x 5m	644
Trunk (OS adult)	25cm x 5m	770
<i>NB: One 5m length of the relevant width is sufficient to provide two sets of dressing for a pair of limbs or a trunk.</i>		
<i>Two full suits for an OS adult are provided from one pack each of the 7.5cm, 10cm and 25cm widths.</i>		
<i>Two full suits for a standard sized adult are provided from one pack each of the 5cm, 7.5cm and 20cm widths.</i>		
<i>Two full suits for a young child are provided from one pack each of the 5cm and 15cm widths.</i>		

SUPRAPUBIC BELTS: Replacements Only

Invoice Price
(see note 5) (page 89)

N.B Original Belts are supplied by the Hospital Service.

Prescription ordering replacement of a complete Belt or Outfit may only be accepted by a pharmacy or appliance contractor who will carry out the actual measurement, fitting and supply of the belt. Orders for replacement of "a belt" are to be taken as being for the belt alone and the prescription referred back to the prescriber to specify orders for a Complete Belt or Outfit where such appears to be required.

Parts may include the following:

- Rubber Flaps
- Rubber Shields
- Rubber Understraps
- Rubber Urinal, single or double-chambered (See Incontinence Appliances)
- Belt Webbing
- Night Drainage Bag, Plastics (See Incontinence Appliances)
- Night Tube and Glass or Plastics Connector

APPLIANCES

SURGICAL ADHESIVE TAPES							each
Elastic Adhesive Tape BP 1988		2.5cm x 4.5m				152	
(Syn: Elastic Surgical Adhesive Tape)		stretched					
		5cm x 4.5m					
		(See Elastic Adhesive Bandage)					
Impermeable Plastic Adhesive Tape BP1988		2.5cm x 3m				121	
(Syn: Impermeable Plastic Surgical Adhesive Tape)		2.5cm x 5m				181	
		5cm x 5m				229	
		7.5cm x 5m				333	
Impermeable Plastic Synthetic Adhesive Tape BP 1988		2.5cm x 5m				172	
(Syn: Impermeable Plastic Surgical Synthetic Adhesive Tape)		5cm x 5m				327	
<i>(Blenderm)</i>							
Permeable Woven Synthetic Adhesive Tape BP 1988		1.25cm x 5m				71	
(Syn: Permeable Woven Surgical Synthetic Adhesive Tape)		2.5cm x 5m				104	
<i>(Leukosilk)</i>		5cm x 5m				181	
Permeable Non-Woven Synthetic Adhesive Tape BP 1988							
(Syn: Permeable Non-Woven Surgical Synthetic Adhesive Tape)							
Size or Weight	Basic Price (p) Each						
	<i>Clinipore</i>	<i>Leukofix</i>	<i>Leukopore</i>	<i>Mediplast</i>	<i>Micropore</i>	<i>Scanpor</i>	
1.25cm x 5m	35	50	45	30 ▽	60	39	
2.5 cm x 5m	59	80	70	50 ▽	89	63	
5.0 cm x 5m	99	140	123	-	157	109	
Where no brand is stated by the prescriber, the basic price of the tape supplied must not exceed							
					each		
				1.25cm x 5m	30 ▽		
				2.5cm x 5m	50 ▽		
				5cm x 5m	99		
Permeable, Apertured Non-Woven Synthetic Adhesive Tape BP 1988							
(Syn: Permeable Non-Woven Surgical Synthetic Adhesive Tape)							
<i>Hypafix</i>	2.5cm x 10m				148		
	5cm x 10m				235		
	10cm x 10m				411		
	15cm x 10m				608		
	20cm x 10m				807		
	30cm x 10m				1166		
<i>Mefix</i>	2.5cm x 5m				88		
	5cm x 5m				156		
	10cm x 5m				249		
	15cm x 5m				339		
	20cm x 5m				434		
	30cm x 5m				623		
<i>Omnifix</i>	5cm x 10m				211		
	10cm x 10m				355		
	15cm x 10m				524		
Zinc Oxide Adhesive Tape							
(Zinc Oxide Surgical Adhesive Tape)							
<i>Mediplast - Zinc Oxide Plaster</i>	1.25cm x 5m				82		
	2.5cm x 5m				119		
	5cm x 5m				199		
	7.5cm x 5m				299		
<i>Strappal</i>	1.25cm x 5m				84		
	2.5cm x 5m				122		
	5cm x 5m				206		
	7.5cm x 5m				310		
Zinc Oxide Adhesive Tape BP 1988							
(Syn: Zinc Oxide Surgical Adhesive Tape)							
	1.25cm x 5m				86		
	2.5cm x 5m				125		
	5cm x 5m				211		
	7.5cm x 5m				318		

IXA

APPLIANCES

SURGICAL SUTURES

Ethicon Code No.	Metric Gauge	Length	Needle	Basic Price p
Absorbable Sutures				pack of 12
<u>Sterile Catgut Chromic BP</u>				
● W480	2.0	75cm	16mm curved cutting	1880
● W548	2.0	75cm	16mm curved round bodied	1880
● W565	3.5	75cm	25mm tapercut half circle heavy	2439
	(ExtraChromic)			
● W488	3.5	75cm	35mm tapercut half circle	2156
● W492	3.5	75cm	45mm tapercut half circle heavy	2255
<u>Sterile Synthetic</u>				
Ethicon Monocryl Poliglecaprone absorbable sutures composed of a copolymer of glycolide &-caprolactone:				
W3650	2.0	70cm	60mm straight cutting	2752
Ethicon Vicryl-polyglactin 910 absorbable sutures composed of copolymer of glycolide and lactide				pack of 36
W9505H	1.0	45cm	16mm P needle curved cutting	10191
W9074	1.5	45cm	16mm curved round bodied	pack of 12 2364
W9570H	1.5	75cm	19mm P needle curved cutting	pack of 36 10124
W9525H	2.0	45cm	26mm P needle curved reverse cutting	9707
Ethicon Vicryl Rapide-polyglactin 910 absorbable sutures composed of copolymer of glycolide and lactide which have been specially treated to give rapid strength loss and absorption profiles:				
				pack of 12
W9915	1.0	45cm	12mm P needle curved reverse cutting	4344
W9922	1.5	75cm	19mm P needle curved reverse cutting	3941
W9918	1.5	75cm	16mm P needle curved cutting	3487
W9932	2.0	75cm	26mm P needle curved reverse cutting	3665
W9923	2.0	75cm	19mm P needle curved reverse cutting	3641
W9962	3.0	90cm	35mm tapercut half circle	3694
Non Absorbable Sutures				
<u>Sterile Braided Silk Suture</u>				pack of 36
W501H	1.5	75cm	(black) 16mm curved cutting	3906
● W533	2.0	45cm	(black) 25mm super cutting curve	pack of 12 1615
W321H	3.0	45cm	(black) 26mm curved reverse cutting	pack of 36 3793
W2511T	2.0	45cm	(black) 26mm P needle curved reverse cutting	pack of 24 3290
<u>Sterile Polyamide Synthetic Suture</u>				
W1618T	1.0	45cm	19mm P needle curved reverse cutting	3866
<u>Sterile Polyamide 6 Suture, Monofilament</u>				pack of 12
● W507	0.7	45cm	(black) 15mm slim blade curved cutting	1855
● W539	1.5	45cm	(blue) 25mm slim blade curved cutting	2190

APPLIANCES

W319	1.5	45cm	(blue) 19mm curved reverse cutting	1302
W320	2.0	45cm	(blue) 26mm curved reverse	1346
				pack of 24
W1615T	0.7	45cm	(black) 16mm P needle curved cutting	3780
<u>Sterile Polyamide 66 Suture, Braided</u>				
W5414	3.5	1m	(black) 50mm tapercut half circle heavy	1863
				pack of 12
<u>Sterile Polypropylene Suture, Monofilament</u>				
W8020T	1.5	45cm	(blue) 26mm P needle curved cutting	4461
				pack of 24

- These products are no longer available from the manufacturer but will remain reimbursable until such time that stocks run out or the product expiry dates are passed.

SKIN ADHESIVES, STERILE

<i>Dermabond</i>			0.5ml	1036
● <i>Epiglu</i>			Four vials (containing approx 80 applications)	9500
<i>Indermil</i>			0.5g	650
<i>LiquiBand</i>	- Tissue Adhesive		0.5g	550
	- Flow Control Tissue Adhesive		0.5g	550

Note: These items are specifically for personal administration by the prescriber.

- This product is no longer available from the manufacturer but will remain reimbursable until such time that stocks run out or the product expiry dates are passed.

IXA

SKIN CLOSURE STRIPS, STERILE

<i>Leuko-strip</i>	Code No. 2952		6.4mm x 76mm 3 strips per env.	Pack of 10 envelopes 546
<i>Steri-strip</i>	Code No. GP 41		6mm x 75mm 3 strips per env.	12 envelopes 852

Note: These items are specifically for personal administration by the prescriber.

SWABS (see note * below on sterile swabs)

N.B. The exact number of single swabs ordered by the prescriber is to be dispensed. (see also Note (ii) below)

<u>Gauze Swabs</u>			pkt
Gauze Swab Type 13 Light BP 1988, Sterile*		7.5cm sq	35
Sterile swabs of folded 8-ply undyed gauze		5 pads per pkt	
Gauze Swab Type 13 Light BP 1988, Non Sterile		10cm sq	563
Swabs of folded 8-ply undyed gauze		100 pads per pkt	
Filmated Gauze Swab BP 1988 Non Sterile		10cm sq	773
A thin layer of absorbent cotton enclosed within Absorbent Cotton Gauze Type 13 Light BP 1988 8-ply		100 pads per pkt	

Non-Woven Fabric Swabs

APPLIANCES

The labelling of each pack shall include:

The Title
"Drug Tariff Specification" and number

Non-Woven Fabric Swab, Sterile*	7.5cm sq	23
Specification 28	5 pads per pkt	
Sterile swabs of folded 4-ply non-woven fabric. These swabs are an alternative to gauze swabs, Type 13 Light BP 1988 sterile.		
Non-Woven Fabric Swab, Non Sterile	10cm sq	264
Specification 28	100 pads per pkt	
Swabs of folded 4-ply non woven fabric. These swabs are an alternative to gauze swabs, Type 13 Light BP 1988, for general and cleansing purposes.		
Filmated Non-Woven Fabric Swab Non-Sterile	10cm sq	pkt
(Regal)	100 pads per pkt	572
Specification 29		
Swabs of folded 8-ply non-woven viscose fabric containing a film of viscose fibres to increase absorbency. These swabs are an alternative to Filmated Gauze Swabs BP 1988 for general swabbing and cleansing purposes.		
*Notes: Sterile Swabs		
(i) These sterile dressings are to be supplied in packs of 5 swabs 7.5cm square in a sealed packs as received from the manufacturer, supplier or wholesaler. They should not be confused with the non-sterile 10cm size in packets of 100 swabs used for general swabbing purposes.		
(ii) The exact number of sterile swabs ordered are to be supplied except for orders not in multiples of 5 (See Note 2 page 89). A packet to be used for each sterile dressing operation; unused swabs to be discarded as unsterile.		

Appliance	Size or Weight	Basic Price p
SYNOVIAL FLUID		each
<i>Arthrease</i>	Box containing 3 pre-filled 2ml syringes (1 treatment)	20000
<i>Durolane</i>	Box containing 1 pre-filled 3ml syringe	19200
<i>Fermathron</i>	Box containing 1 pre-filled 20mg/2ml syringe	3900
<i>Orthovisc</i>	Box containing 1 pre-filled 2ml syringe	6500
<i>Ostenil</i>	Box containing 1 pre-filled 20mg/2ml syringe	3000
<i>Supartz</i>	Box containing 1 pre-filled 25mg/2.5ml syringe	2950
<i>Suplasyn</i>	Box containing 1 pre-filled 20mg/2ml syringe	3550
	Box containing 1 vial 20mg/2ml	3550
<i>Synvisc (Hylan G-F20)</i>	Box containing 3 pre-filled 2ml syringes (1 treatment)	20500
SYRINGES		
Bladder/Irrigating	100ml	386
Ear Syringe	60ml approx	175
Enema Higginson's:		564
Spare Vaginal Pipes Plastics or rubber, straight	15cm	45
TEST TUBES	12.5cm x 16mm	11

APPLIANCES

TRACHEOSTOMY AND LARYNGECTOMY APPLIANCES**Tracheostomy Breathing Aids****each***Blom-Singer Truseal Humidifier System*

Filter and heat and moisture exchanger comprising of a holder and foam filters can be attached with adhesive housing.

Blom-Singer Truseal Humidifier Holder	BE1060	1324
Replacement Foam Filters (normal resistance)	BE1070/1080	97
Adhesive Housing	BE6053/6054	207

Blom-Singer Humidifier ATSV Cap and 7 Foam Filters	BE1010	1731
Replacement Foam Filter for ATSV (normal resistance)	BE1020/1030	97

Humistom Stoma Button/Stud and HPC Filter (Nasal Restoration System)

HPC Filter Normal to low resistance	HSF1	290	
Humistom Stoma Button/Stud	size 10	HS1-L10	1000
Standard Length 20mm	size 12	HS1-L12	1000
	size 14	HS1-L14	1000
Short Length 14mm	size 10	HS1-S10	1000
	size 12	HS1-S12	1000
	size 14	HS1-S14	1000

Tracheostomy Breathing Aids**each***Provox FreeHands HME System*

Filter Cassette		7712	211
Replacement Membrane	Light	7713	4615
	Medium	7714	4615
	Strong	7715	4615
Silicone Glue (for use with Flexiderm adhesive)		7720	2340

Provox HME System ("Stomafilter")

Flexiderm adhesive round	(Transparent with strong adhesive)	7253	271
Flexiderm adhesive oval		7254	271
Optiderm adhesive round	(Skin coloured, hydrocolloid for sensitive skin)	7255	446
Optiderm adhesive oval		7256	446
Regular adhesive round	(Transparent, normal adhesive)	7251	175
Regular adhesive oval		7252	175
Normal filter cassette	(Normal resistance)	7240	164
Hiflow filter cassette	(Low resistance for sport and first time users)	7241	175

IXA

APPLIANCES

Appliance			Order No.	Basic Price p
<i>Trachi-Naze Nasal Restoration System (formerly Neo-Naze Filter System)</i>				
Blue Filter (Night filter)	resistance level	-2 to -3kPas 1 ⁻¹	LANNZ 0001A	153
Green Filter (Day filter)	resistance level	-1 to 2kPas 1 ⁻²	LANNZ 0002A	153
Orange Filter (Active filter)	resistance level less than	- 1kPas 1 ⁻¹	LANNZ 0003A	153
Baseplate				
Hydrocolloid	(small)		LANNZ 0004A	240
Hydrocolloid	(large)		LANNZ 0005	257
Non-Woven Adhesive	(large)		LANNZ 0006	257
Clear Adhesive Waterproof Film	(round)		LANNZ 0007	252
<i>Trachi-Naze Plus Nasal Restoration System</i>				
Trachi-Naze Plus Filters				
Blue (Night Filter)	resistance level	-2 to 3kPas 1 ⁻¹	LATNP 1001	153
Green (Day Filter)	resistance level	-1 to 2kPas 1 ⁻²	LATNP 1002	153
Orange (Active Filter)	resistance level	-1kPas 1 ⁻¹	LATNP 1003	153
Trachi-Naze Plus Stoma Stud				
Short Length 14.5mm	size 8		LATNP 2001	1017
	size 10		LATNP 2002	1017
	size 12		LATNP 2003	1017
	size 14		LATNP 2004	1017
	size 16		LATNP 2005	1017
Long Length 22.5mm	size 8		LATNP 3001	1017
	size 10		LATNP 3002	1017
	size 12		LATNP 3003	1017
	size 14		LATNP 3004	1017
	size 16		LATNP 3005	1017
Tracheostomy Brushes				
pack of 2				
Tracheo Cleaning Brush (Kapitex)	8mm		TR ACC 0001	334
	10mm		TR ACC 0002	334
	12mm		TR ACC 0003	334
	14mm		TR ACC 0004	334
Tracheostomy Dressings - Sterile				
each				
<i>Metalline</i>		8cm x 9cm		49
<i>Trachi-Dress</i>	Small	60mm x 82mm	TR DRE 0001	64
	Large	80mm x 100mm	TR DRE 0002	64
Tracheostomy Tube Holders				
EMS Adjustable Tracheostomy Tube Holder with Elasticated Cough Strip			T550	265
<i>Insight 2 Piece Adjustable Latex Free Tracheostomy Tube Holder</i>				
	Adult		TH100	240
	Child		TH150	240
<i>Trachi-Hold</i>	Adult		TR ACC 0012	290
	Child		TR ACC 0014	290

APPLIANCES

Tracheostomy and Laryngectomy Protectors*Buchanan Protector*(Laryngectomy - Permanent tracheostomy)
Large**pack of 10**
3413*Buchanan DeltaNex Protector*(Laryngectomy - Permanent tracheostomy)
Small

3180

Hirst Protector

2830

*Laryngofoam*flesh or white 5.1cm x 6.2cm
4mm thick
flesh 6.3cm x 6.5cm**each****pack of 30**

1126

37

1126

Sofshield Laryngectomy Protectors

(Laryngectomy - Permanent tracheostomy)

pack of 10

White Small

AS3698 2890

Large

AS3669 3200

Beige Small

AS3778 3016

Large

AS3765 3400

Blue Small

AS3777 3016

Large

AS3764 3400

*Wet Protect***pack of 2**

TWP2 852

Voice Prosthesis Cleaning Brush*Voiceline*

LA PCB 0003

pack of 10

800

IXA

Appliance	Size or Weight	Basic Price p
-----------	----------------	---------------

TRUSSES

(See Part 1, Clause 2 page 3)

Before the prescription can be dispensed three details must be given by the prescriber:

- (i) Single, or double, and the side, if single
- (ii) Position, eg. Inguinal; Scrotal
- (iii) Type, eg. Spring truss; Elastic band truss

In the event of a dispute between the patient and the pharmacy or the appliance contractor about whether the truss supplied is satisfactory, the doctor's decision shall be binding.

Spring Truss**each**

Specification 31(a)

Spring Trusses shall conform to the British Standard 2930:

1970 for Surgical Spring Trusses

Inguinal

Single 2866

Double 3999

Inguinal Rat-tail

Single 3529

Double 5274

Femoral

Single 3166

Double 4898

APPLIANCES

Appliance	Size or Weight	Basic Price p
Scrotal	Single	3529
	Double	5274
Double Inguinal/Scrotal		5071
Back Pad, fixed or sliding (if ordered)	extra	813
Slotted, polished Spring Ends (if ordered)	Single Extra	413
	Double Extra	833
"Special" Trusses	Single Extra	913
- conforming to the requirements in Specification 31b	Double Extra	1803
<i>NB:Requirement for a "Special" Truss should normally be confirmed by the prescriber.</i>		
Replacements and repairs:-		
Understrap for Inguinal or Femoral Trusses		251
Elastic Band Truss		
Specification 31b		
Elastic Band Trusses shall conform to the British Standard		
3271: 1970 for Surgical Elastic Band Trusses		
each		
Inguinal	Single	1946
	Double	3242
Scrotal	Single	2026
	Double	3300
Umbilical, Single Belt	Single	2210
	Double Belt where specified by prescriber	3009
"Special" Trusses	Single Extra	572
- conforming to the requirements in Specification 31b	Double Extra	829
<i>NB:Requirement for a "Special" Truss should normally be confirmed by the prescriber</i>		

URINALS, PORTABLE - (see Part IXB)

Appliance	Order No.	Basic Price p
VACUUM PUMPS AND CONSTRICTOR RINGS FOR ERECTILE DYSFUNCTION		
The following products may be ordered on a prescription form (ie prescribed "on the NHS") only if the patient is a person of a description mentioned in column 1 of the prescribing restrictions note below, and for the purpose specified in column 2 of that note, and if the prescriber endorses the face of the prescription form with the reference "SLS".		
each		
Vacuum Pumps		
Euro Surgical Ltd		
<i>Pos-T-Vac</i>	AVP1000 Battery	12700
	Operated	
	MVP 700 Manual	9800
Farnhurst Medical Ltd		
<i>Elite</i>	ES101	13500
<i>Elite Plus with gauge</i>	EG105	16000
<i>Elite Plus 2 with limiter</i>	EL108	16000
Genesis Medical Ltd		
<i>Active II with limiter</i>	0100 Battery Operated	14900
<i>Impulse with limiter</i>	0102 Manual	11900

APPLIANCES

Appliance	Order No.	Basic Price p
Healthcare 2000 Ltd <i>E.I.D. Erection Inducer Device</i>		14900
Mediwatch UK Ltd <i>ErectEase</i>	S0001	9400
Osbon Medical UK <i>Osbon ErecAid Classic</i>	XX-02	9900
<i>Osbon ErecAid Esteem</i>	XX-50	17900
Owen Mumford Ltd <i>Rapport Classic</i>	SM2000	10153
<i>Rapport Premier</i>	SM2200	15485
Vetco UK <i>Vetex Pump System</i>	001 Manual	9500
Constrictor Rings - to maintain an erection		
Euro Surgical Ltd <i>Constrictor Ring</i>		968
Farnhurst Medical Ltd <i>Constriction Rings (pack of 5 rings)</i>	Sizes 1-5	
Size 1	ECR01	2000
Size 2	ECR01/1	2000
Size 3	ECR01/2	2000
Size 4	ECR01/3	2000
Size 5	ECR01/4	2000
	ECR01/5	2000
<i>Applicator and cone set with 5 different sized rings</i>	ECA02	2400
Genesis Medical Ltd <i>Asset</i>		
Set of 5 different rings, loading cone, and holding cylinder for maintaining an erection	0105	2400
<i>Genesis constriction ring</i>		
Single ring for use with erection assistance devices	Sizes B,C,D,E,F	700
0110B, 0110C, 0110D, 0110E, 0110F,		
Healthcare 2000 Ltd <i>Confidence Rings</i>		
Starter pack of 2 Rings (1x Regular, 1x Firm)		2400
Firm x 2 Rings (Pink)		2900
Regular x 2 Rings (Natural)		2900
Mediwatch UK Ltd <i>ErectAssist</i>		
Set of 3 retention rings, loading cone, transfer collar and lubricating gel	S0007	2300
<i>Retention Rings</i>		
Set of 3 retention rings		
25mm	S0101A	2100
32mm	S0101B	2100
40mm	S0101C	2100
1 of each of the above sizes	S0101	2100
Owen Mumford Ltd <i>Rapport Ring Loading System</i>		
Set of 5 different sized rings, loading cone and transfer sleeves for maintaining an erection	SM2220	2029
Vetco UK Constriction Rings		
<i>White C-Flex</i> (small, medium, large)	VA005	650
<i>Mentor</i> (medium, large)	VA006	1000
<i>Comfort</i> (one size fits all)	VA007	1000

IXA

APPLIANCES

PRESCRIBING RESTRICTIONS APPLYING TO VACUUM PUMPS AND CONSTRICTOR RINGS FOR ERECTILE DYSFUNCTION

The products listed may be ordered on a prescription form (ie prescribed "on the NHS") only if the patient is a person of a description mentioned in column 1 below, and for the purpose specified in column 2, and if the prescriber endorses the face of the prescription form with the reference "SLS".

Patient	Purpose
(a) a man who is suffering from any of the following - diabetes multiple sclerosis Parkinson's disease poliomyelitis prostate cancer severe pelvic injury single gene neurological disease spina bifida spinal cord injury; or	Treatment of erectile dysfunction.
(b) a man who is receiving treatment for renal failure by dialysis; or	
(c) a man who has had the following surgery - prostatectomy radical pelvic surgery renal failure treated by transplant.	

VENOUS ULCER COMPRESSION SYSTEM

			per pack
<i>Activa Leg Ulcer Hosiery Kit</i> (Activa Healthcare)	Medical Stocking & Compression Liner (pack contains 1 stocking and 2 liners) Small, Medium, Large, Extra Large, Extra Extra Large		1999
	Liner pack (pack contains 3 liners) Small, Medium, Large, Extra Large, Extra Extra Large		1499
<i>Jobst UlcerCare</i> (BSN medical Ltd)	Medical Stocking & Compression Liner (pack contains 1 stocking and 1 liner)	Small	2961
		Medium	2961
		Large	2961
		Extra Large	2961
	Compression Liner pack (pack contains 3 liners)	Small	1788
		Medium	1788
	Large	1788	
	Extra Large	1788	
<i>SurePress Comfort Pro</i> Graduated Compression System (ConvaTec Ltd)	(pack contains 1 stocking and 1 liner)	Size	
		A	2700
		B	2700
		C	2700
		D	2700
		E	2700
	Ankle Circ	Calf Circ	
	18-20cm	25.5-33cm	2700
	20-22.5cm	30.5-38cm	2700
	22.5-25.5cm	35.5-43cm	2700
	25.5-28cm	40.5-48.5cm	2700
	28-30.5cm	45.5-53cm	2700

INCONTINENCE APPLIANCES

INCONTINENCE APPLIANCES

1. Prescribers and suppliers should note that products not included in the list are not prescribable (See Part 1 Clause 2). Attention is drawn particularly to the information on the average life-in-use of each type of product which, together with the pack size, should enable prescribers to calculate their patients' requirements with reasonable accuracy.
2. Only basic information on each product has been provided and prescribers may on occasions wish to seek further information about certain products eg when assessing a patient for the first time. If so, this is always available from the manufacturers (addresses and telephone numbers are given at the end of the entry). Information may also be sought from community nurses and community pharmacists. Where possible manufacturers'/suppliers' order code numbers have been shown but prescribers should note that the order numbers shown are not necessarily the full codes for the appliances they wish to order. This is particularly true of urinal systems where additional code numbers are usually necessary to denote variations from the basic design and individual sizes.
3. Prescribers are reminded that incontinence pads (including products not necessarily described as such but using the absorption principle), incontinence garments, skin wipes and occlusive devices such as female vaginal devices and male penile clamps are not prescribable under the Drug Tariff provisions.

List of components and accessories**Page**

Anal Plugs	170
Catheter Valves	170
Drainable Dribbling Appliances	171
Faecal Collectors	171
Incontinence Belts	172
Incontinence Sheaths	173
Incontinence Sheath Fixing Strips and Adhesives	180
Leg Bags	182
Night Drainage Bags	190
Suspensory Systems	193
Tubing and Accessories	194
Urinal Systems	197

IXB

Manufacturers' Addresses and Telephone Numbers**214**

INCONTINENCE APPLIANCES

ANAL PLUGS

Warning: This product should not be used without assessment by an appropriate medical professional.

Manufacturer	Appliance	Order No.	Quantity	List Price p
Coloplast Ltd	Conveen Anal Plug			
	Small	1450	20	4221
	Large	1451	20	4206

CATHETER VALVES

Warning: This product should not be used without assessment of bladder function by an appropriate medical professional.

Indications: For use with an indwelling urethral catheter.

Contraindications:

Reduced bladder capacity

No bladder sensation

Cognitive impairment

Insufficient manual dexterity to operate the Catheter Valve

Note: *It is recommended that the Catheter Valve is changed every 5 - 7 days.*

The following symbols are used in this section

S Sterile

Manufacturer	Appliance	Order No.	Quantity	List Price p
Bard Ltd	Flip-Flo catheter valve	BFF5	5	1249
Coloplast Ltd	Simpla Catheter Valve	T180	5	1245
Flexicare Medical Ltd	E-Z Flow Catheter Valve	00-0060	5	1082
Jade- Euro-Med Ltd	S Euro Catheter Valve	JECV	5	1176
L.IN.C. Medical Systems Ltd	S CareVent Duo Catheter Valve	08.9801	5	1186
Mentor Medical Ltd	Uro-Flo Catheter Valve	WS856-01-A	5	1201

Catheter Valve with Integral Bag

Jade-Euro-Med Ltd	S Euro Bag with duel tap	JEDT	10	2834
-------------------	--------------------------	------	----	------

INCONTINENCE APPLIANCES

DRAINABLE DRIBBLING APPLIANCES

Bags or pouches which use absorptive material to soak up urine are not prescribable.

Note: The appliances listed below may be re-used, on average, for at least a month.

Manufacturer	Appliance	Order no	Quantity	List Price p
CS Bullen Ltd	Dribblet bag	LU-15	10	2299
	Dribblet sheath bag	LU-20	10	5159
Coloplast Ltd	Aquadry drip type urinal	571016	1	5718
Jade-Euro-Med Ltd	Dribbling bag with loops and tapes	Fig 18	1	1822
	Drip Male Urinal with tap	M 100	1	4893
	Replacement belt for M100	JB 100	1	1207
Ward Surgical Appliance Co	Male Dribbling bag with diaphragm and belt	WM60	1	2792

FAECAL COLLECTORS

IXB

Manufacturer	Appliance	Order No.	Quantity	List Price p
Hollister Ltd	Hollister Faecal Collector			
	500ml	9822	10	4235
	1000ml	9821	10	4235

INCONTINENCE APPLIANCES**INCONTINENCE BELTS***Note: Average Life-in-Use - 6 Months*

Manufacturer	Appliance	Order No.	Quantity	List Price p	
Jade-Euro-Med Ltd	Waist belt for Kipper bags	KBWB	1	582	
	37mm webbing/elastic waistbelt for use with Jade-Euro-Med appliances	WB	1	603	
Mentor Medical Ltd	Web belt	86cm WS105-91-34	1	1181	
		91cm WS105-91-36	1	1181	
		97cm WS105-91-38	1	1181	
		102cm WS105-91-40	1	1181	
		107cm WS105-91-42	1	1181	
		112cm WS105-91-44	1	1181	
			86cm WS106-01-34	1	1181
			91cm WS106-01-36	1	1181
			97cm WS106-01-38	1	1181
			102cm WS106-01-40	1	1181
			107cm WS106-01-42	1	1181
			112cm WS106-01-44	1	1181
			WS107-01-G	1	1181
	Rüsch UK	Waist and support for Kipper bag	LM 886103	1	686
Ward Surgical Appliance Co	Waist belt for black Kipper bag	WM62	1	513	
	Rubber belt for PP Urinal	WM63	1	444	

INCONTINENCE APPLIANCES

INCONTINENCE SHEATHS

The incontinence sheaths (also known as penile sheaths and external catheters) listed below, are, except where indicated, of the soft, flexible, latex type. Sheaths are available with and without fixing devices which may be applied externally (around the outside of the sheath) or internally (around the penis between the skin and the sheath). A list of fixing devices and other adhesion products is included in 'Incontinence Sheath Fixing Strips & Adhesives'.

Note: Each Sheath may be left in place for 1 to 3 days between changes.

The following symbols are used in this section

- ⊗ Non-adhesive sheath without liner
- ⊙ Sheath with self-adhesive liner
- ‡ Sheath with separate double-sided adhesive strip
- ≡ Sheath with separate single-sided adhesive strip

Manufacturer	Appliance	Order No.	Quantity	List Price p
Bard Ltd	⊙ Integrity Encompass Self-adhesive penile sheath on applicator			
	25mm	BUIS 25	30	4473
	30mm	BUIS 30	30	4473
	35mm	BUIS 35	30	4473
	Reliasheath Penile sheath (including adhesive strip)			
	20mm	D523	30	4101
	25mm	D524	30	4101
	30mm	D525	30	4101
	35mm	D526	30	4101
	40mm	D527	30	4101
	⊗ Penile Sheath			
	20mm	U523	30	2747
	25mm	U524	30	2747
	30mm	U525	30	2747
	35mm	U526	30	2747
40mm	U527	30	2747	
⊗ Uro sheath (washable - may be re-used many times)		1502	1	573
small (32mm), medium (38mm) large (41mm)				
Beambridge Medical	‡ Beambridge Urinary Sheath			
	Small	6-65(20mm)	30	4450
	Medium	6-65(25mm)	30	4450
	Large	6-65(30mm)	30	4450
	Extra Large	6-65(35mm)	30	4450

IXB

INCONTINENCE APPLIANCES

INCONTINENCE SHEATHS

Manufacturer	Appliance	Order No.	Quantity	List Price p
Coloplast Ltd	○ Conveen Security + self-sealing Urisheath (non-latex) with Anti-kink Design			
	extra small	5221	30	4755
	small	5225	30	4755
	medium	5230	30	4755
	large	5235	30	4755
	extra large	5240	30	4755
	○ Conveen Security + Easifit Shorter length self sealing Urisheath (non-latex) with Anti-kink Design			
	extra small (dia 21mm)	22011	30	4773
	small (dia 25mm)	22012	30	4773
	medium (dia 30mm)	22013	30	4773
	large (dia 35mm)	22014	30	4773
	‡ Conveen Security + Sheath (non-latex) with Anti-kink Design (including Uriliner adhesive strip)			
	extra small	5021	30	4803
	small	5025	30	4803
	medium	5030	30	4803
	large	5035	30	4803
	extra large	5040	30	4803
	○ Conveen self-sealing Urisheath			
	extra small	5212	30	4833
	small	5200	30	4833
	medium	5205	30	4833
	large	5210	30	4833
	extra large	5215	30	4833
	‡ Conveen Urisheath/Uriner			
	very small	5120	30	4884
	small	5125	30	4884
	medium	5130	30	4884
	large	5135	30	4884
	ex- large	5140	30	4884
	○ Aquadry Freedom Sheath (Self-adhesive)			
	small (dia 23mm)	786268	30	4653
	medium (dia 28mm)	786276	30	4653
	standard (dia 31mm)	786280	30	4653
	large (dia 35mm)	786284	30	4653
	extra large (dia 40mm)	786288	30	4653
	○ Aquadry Freedom Plus Sheath (Self-adhesive) (Shorter length)			
	small (dia 23mm)	786292	30	4653
	medium (dia 28mm)	786306	30	4653
	standard (dia 31mm)	786310	30	4653
	large (dia 35mm)	786314	30	4653
	extra large (dia 40mm)	786318	30	4653
	○ Clear Advantage Silicone Sheath (Self-adhesive)			
	small (dia 23mm)	786187	30	4632
	medium (dia 28mm)	786195	30	4632
	standard (dia 31mm)	786225	30	4632
	large (dia 35mm)	786233	30	4632
	extra large (dia 40mm)	786241	30	4632

INCONTINENCE APPLIANCES

INCONTINENCE SHEATHS

Manufacturer	Appliance	Order No.	Quantity	List Price p
Fry Surgical International Ltd	‡ Uridom (including adhesive strip)	476-413-130	30	2707
Hollister Ltd	○ CV (non-latex, self-adhesive sheath) (Standard Length)			
	25mm	9306	30	4664
	29mm	9307	30	4664
	32mm	9309	30	4664
	36mm	9308	30	4664
	41mm	9305	30	4664
	(Brief Length)			
	25mm	9316	30	4664
	29mm	9317	30	4664
	32mm	9319	30	4664
	36mm	9318	30	4664
	41mm	9315	30	4664
	○ Self Adhesive Sheath			
	22-25mm	9636	30	4602
	26-30mm	9637	30	4602
	31-35mm	9639	30	4602
	36-39mm	9638	30	4602
Hospital Management and Supplies Ltd	≡ Macrodom (including adhesive strip)			
	with O 51mm tube	GS7654	30	2230
	with O 127mm tube	GS7655	25	2333
Jade-Euro-Med Ltd	⊗ Jade Naturaflex Clear Non-Adhesive Sheath			
	25mm (small)	M410	30	4394
	29mm (medium)	M420	30	4394
	32mm (intermediate)	M430	30	4394
	36mm (large)	M440	30	4394
	○ Jade Ultra Flex Clear Sheath (Self-adhesive)			
	small	M510	30	4394
	medium	M520	30	4394
	intermediate	M530	30	4394
	large	M540	30	4394
	ex-large	M550	30	4394

IXB

INCONTINENCE APPLIANCES

INCONTINENCE SHEATHS

Manufacturer	Appliance	Order No.	Quantity	List Price p
Manfred Sauer GmbH	⊙ Comfort Plus Latex Free Urinary Sheath with hydrocolloid double sided adhesive liner			
	Dia 18	56.18	30	4529
	Dia 20	56.20	30	4529
	Dia 22	56.22	30	4529
	Dia 24	56.24	30	4529
	Dia 26	56.26	30	4529
	Dia 28	56.28	30	4529
	Dia 30	56.30	30	4529
	Dia 32	56.32	30	4529
	Dia 35	56.35	30	4529
	Dia 37	56.37	30	4529
	Dia 40	56.40	30	4529
	⊗ Comfort Sheath (in 11 sizes) + Residual Free removal and Anti-Blow-Back system			
	Paediatric (dia 18mm)	53.18	30	2291
	Small - (dia 20mm)	53.20	30	2291
	Small (dia 22mm)	53.22	30	2291
	Small + (dia 24mm)	53.24	30	2291
	Medium - (dia 26mm)	53.26	30	2291
	Medium (dia 28mm)	53.28	30	2291
	Medium + (dia 30mm)	53.30	30	2291
	Large - (dia 32mm)	53.32	30	2291
	Large (dia 35mm)	53.35	30	2291
	Large + (dia 37mm)	53.37	30	2291
	Extra Large (dia 40mm)	53.40	30	2291
	⊗ Comfort Sheath Extra Thin for male retraction + Residual Free removal and Anti-Blow-Back system.			
	Medium - (dia 26mm)	53.26D	30	2291
	Medium + (dia 30mm)	53.30D	30	2291
	Large (dia 35mm)	53.35D	30	2291
	Extra Large (dia 40mm)	53.40D	30	2291
	⊗ K+ICS Sheath (plus 5 Sheath tip connectors) have special removable tips which enable the sheath to be expanded over the penis with a special sheath expander tool, to allow for clean intermittent self catheterisation (see Tubing and Accessories section of this publication for Manfred Sauer Sheath Expander order no. 100.01).			
	18mm	103.18	30	4608
	20mm	103.20	30	4608
	22mm	103.22	30	4608
	24mm	103.24	30	4608
	26mm	103.26	30	4608
	28mm	103.28	30	4608
	30mm	103.30	30	4608
	32mm	103.32	30	4608
	35mm	103.35	30	4608
	37mm	103.37	30	4608
	40mm	103.40	30	4608

INCONTINENCE APPLIANCES

INCONTINENCE SHEATHS

Manufacturer	Appliance	Order No.	Quantity	List Price p
Manfred Sauer GmbH	P-SURE Latex Free self-adhesive with Residual Free removal and Anti-Blow-Back system. Includes 1 free pubic hair protective cloth.			
	Paediatric (dia 18mm)	97.18	30	4305
	Small - (dia 20mm)	97.20	30	4305
	Small (dia 22mm)	97.22	30	4305
	Small + (dia 24mm)	97.24	30	4305
	Medium - (dia 26mm)	97.26	30	4305
	Medium (dia 28mm)	97.28	30	4305
	Medium + (dia 30mm)	97.30	30	4305
	Large - (dia 32mm)	97.32	30	4305
	Large (dia 35mm)	97.35	30	4305
	Large + (dia 37mm)	97.37	30	4305
	Extra Large (dia 40mm)	97.40	30	4305
Mentor Medical Ltd	⊗ Incontinence Sheath			
	Small	WS165-01-F	1	158
	Medium	WS165-03-K	1	158
	Large	WS165-05-P	1	158
	Ex-large	WS165-07-T	1	158
	○ Freedom Transfix Silicone Sheath, Style 1 self adhering - wide adhesive band			
	25mm	TF12530	30	4397
	29mm	TF12930	30	4397
	32mm	TF13230	30	4397
	36mm	TF13630	30	4397
	41mm	TF14130	30	4397
	○ Freedom Transfix Silicone Sheath, Style 2 self adhering - wide adhesive band			
	25mm	TF22530	30	4397
	29mm	TF22930	30	4397
	32mm	TF23230	30	4397
	36mm	TF23630	30	4397
	41mm	TF24130	30	4397
	○ Freedom Transfix Silicone Sheath, Style 3 self adhering - extra wide adhesive band			
	25mm	TF32530	30	4397
	29mm	TF32930	30	4397
	32mm	TF33230	30	4397
	36mm	TF33630	30	4397
	41mm	TF34130	30	4397
	‡ Uro Flo Sheath (including adhesive strip)			
	Small	WS166-01-K	30	4290
	Medium	WS166-02-M	30	4290
	Large	WS166-03-P	30	4290
‡ Uro Flo Sheath Mk 2				
Small	WR166-01-N	30	4290	
Medium	WR166-02-Q	30	4290	
Large	WR166-03-S	30	4290	
⊗ Male Incontinence Sheath	48-232-14	100	7107	

IXB

INCONTINENCE APPLIANCES**INCONTINENCE SHEATHS**

Manufacturer	Appliance	Order No.	Quantity	List Price p
North West Medical Supplies Ltd	⊗ Uridrop Incontinence Sheath			
	Size 1 (70mm)	30/80	30	1270
	Size 2 (80mm)	30/81	30	1270
	Size 3 (100mm)	30/82	30	1270
	Size 4 (107mm)	30/83	30	1270
	Size Paed 42mm	30/60	30	1270
	Size Paed 55mm	30/61	30	1270
	‡ Uridrop Incontinence Sheath and Uristrip Adhesive Strip			
	Size 1 (70mm)	8480	30	2540
	Size 2 (80mm)	8481	30	2540
	Size 3 (100mm)	8482	30	2540
	Size 4 (107mm)	8483	30	2540
	Size Paed 42mm	8460	30	2540
	Size Paed 55mm	8461	30	2540
S G & P Payne Supplies Ltd	⊗ Incontiaid Penile Sheath			
	20mm	1111	1	93
	25mm	1112	1	93
	30mm	1113	1	93
	35mm	1114	1	93
	40mm	1115	1	93
	‡ with adhesive strip			
	20mm	1116	10	1486
	25mm	1117	10	1486
	30mm	1118	10	1486
	35mm	1119	10	1486
40mm	1120	10	1486	
Rochester Medical Corporation	○ Natural Silicone Sheath (self-adhesive)			
	25mm	31301	30	4394
	29mm	31302	30	4394
	32mm	31303	30	4394
	36mm	31304	30	4394
	41mm	31305	30	4394
	○ Pop-On Silicone Sheath (self-adhesive)			
	25mm	32301	30	4394
	29mm	32302	30	4394
	32mm	32303	30	4394
	36mm	32304	30	4394
	41mm	32305	30	4394
	○ Wide Band Silicone Sheath (self-adhesive)			
	25mm	36301	30	4394
	29mm	36302	30	4394
	32mm	36303	30	4394
	36mm	36304	30	4394
41mm	36305	30	4394	

INCONTINENCE APPLIANCES

INCONTINENCE SHEATHS

Manufacturer	Appliance	Order No.	Quantity	List Price p
Rüsch Uk	‡ Dryaid Penile Sheath (including adhesive strip)			
	small	AL834021	20	2853
	medium	AL834022	20	2853
	large	AL834023	20	2853
	ex-large	AL834024	20	2853
	⊗ Dryaid Penile Sheath (without adhesive strip)			
	small	AL861021	20	1653
	medium	AL861022	20	1653
	large	AL861023	20	1653
	ex-large	AL861024	20	1653
	‡ Portasheath			
	25mm	800046	25	2320
	30mm	800047	25	2320
	35mm	800048	25	2320
	≡ Secure external catheter kit (including adhesive strip)			
25mm diameter	4000025	10	950	
30mm diameter	4000030	10	950	
35mm diameter	4000035	10	950	
Salts Healthcare	‡ Heritage Cohesive/Sheath Pack			
	17mm	ZL0023	30	3876 △
	22mm	ZL0024	30	3876 △
	25mm	ZL0025	30	3876 △
	32mm	ZL0026	30	3876 △
	34mm	ZL0027	30	3876 △
	⊗ Male Continence Sheath			
	17mm	ZL0028	10	873 △
	22mm	ZL0029	10	873 △
	25mm	ZL0030	10	873 △
	32mm	ZL0031	10	873 △
	34mm	ZL0032	10	873 △
The Kendall Company (UK) Ltd	‡ Texas Catheter (including adhesive strip)	8884-731300	12	864



INCONTINENCE APPLIANCES

INCONTINENCE SHEATH FIXING STRIPS & ADHESIVES
(Available separately from sheaths)

The following symbols are used in this section

- † Double-sided adhesive strip
 ≠ Foam and Velcro
 ∞ For use with urinal systems
 * Safe for direct application on the skin

Manufacturer	Appliance	Order No.	Quantity	List Price p
Bio Diagnostics	† Urifix Tape 5m	SU1	1	490
Camp Ltd	≠ Posey Sheath Holder Adult	90500	12	1325
	Paediatric	6555	12	1020
Coloplast Ltd	† Conveen Sheath Liners	5100	20	912
ConvaTec Ltd	† Urihesive Strips	S120	15	703
Jade-Euro-Med Ltd	∞ Jade Velcro Foam Strap	M450	10	1156
JLJ Healthcare Ltd	† Urifix Tape 5m (formerly a Seton Continence Care product)	T115	1	634
Manfred Sauer GmbH	* Original Latex Skin Adhesive in a 28g tube with a long pipette/nozzle applicator	50.01	2	852
	* Pure Latex Skin Adhesive without any skin care components giving a stronger bond, in a 28g tube with a long pipette/nozzle applicator.	50.00	2	838
	* Lanolin Free Latex Skin Adhesive for people allergic to lanolin, in a 28g tube with a long pipette/nozzle applicator.	50.03	2	838
	* 50% reduction in skin care components, in a 28g tube with a long pipette/nozzle applicator.	50.05	2	838
	† Comfort Plus hydrocolloid adhesive tape	50.14	30	1375
	* 2% Resin giving a stronger bond than the original adhesive 50.01, in a 28g tube with a long pipette/nozzle applicator. Should only be tried after 50.01 is found to be too weak.	50.20	2	838
	* 12% Resin giving a stronger bond than the 2% resin adhesive 50.20, in a 28g tube with a long pipette/nozzle applicator. Should only be tried after 50.20 is found to be too weak.	50.22	2	838

INCONTINENCE APPLIANCES**INCONTINENCE SHEATH FIXING STRIPS & ADHESIVES (Available separately from sheaths)**

Manufacturer		Appliance	Order No.	Quantity	List Price p
Manfred Sauer GmbH	*	Synthetic Skin Adhesive in a 28g tube with a long pipette/nozzle applicator	50.36-2	2	1496
	*	Synthetic Skin Adhesive in a 45ml bottle with brush in the lid	50.36	1	1496
North West Medical Supplies Ltd	‡	Uristrip Adhesive Strip	30/84	30	1270
S G & P Payne	≠	Incontiaid Sheath Holder	1123	1	109
		Incontiaid Single Sided Adhesive Strips	1004	10	445
	‡	Adhesive Strips	1002	10	483
Rüsch UK	‡	Dryaid Strip	AL83202 5	20	1200
Salts Healthcare	≠	Heritage Sheath Collar Pack	ZL0022	30	438 △

IXB

INCONTINENCE APPLIANCES

LEG BAGS

The leg bags listed are suitable for collection of urine from indwelling catheters or incontinence sheaths. They are intended for daytime use although the larger bags may have adequate capacity for overnight use by some patients. The bags may be worn in different positions on the leg and the intended position (eg thigh, knee or calf) will determine the length of the inlet tube. The bags are attached to the leg by means of straps (included with each pack) which are generally either latex or foam with velcro fasteners.

Note: Plastic leg bags identified in the list with an asterisk* may on average be used for 5-7 days. With proper care and cleansing rubber leg bags are re-usable for 4-6 months.

Symbols used in this section

S These leg bags are supplied sterile. This does not affect the guidance given in the note at the beginning.

* Plastics

W Due to the size and weight of these bags when full, this capacity of bag should be prescribed only for wheelchair-bound patients.

Manufacturer	Appliance	Order No.	Quantity	List Price p
Bard Ltd	S * Uriplan Range: Shaped Leg Bags with tap outlet, overnight connector and elastic velcro straps			
	* 350ml, direct inlet	D3S	10	2745
	* 350ml, 30cm inlet tube	D3L	10	2720
	* 500ml, direct inlet	D5S	10	2766
	* 500ml, 10cm inlet tube	D5M	10	2776
	* 500ml, 30cm inlet tube	D5L	10	2776
	* 750ml, direct inlet	D7S	10	2786
	* 750ml, 10cm inlet tube	D7M	10	2786
	* 750ml, 30cm inlet tube	D7L	10	2786
	* 750ml, 38cm adjustable inlet tube	D7LX	10	2786
	S * Urisac Range: Leg Bags with push/pull outlet and foam velcro straps			
	* 350ml, long tube	7660	10	1456
	* 350ml, short tube	7661	10	1413
	* 500ml, long tube	7662	10	1582
	* 500ml, short tube	7663	10	1539
	* 750ml, long tube	7664	10	1692
	* 750ml, short tube	7665	10	1623
Beambridge Medical	Beambridge Leg Bags with 1 pair of Flexible leg bag straps			
	500ml short tube (10cm)	6-70	10	2650
	500ml long tube (30cm)	6-75	10	2650

INCONTINENCE APPLIANCES

LEG BAGS

Manufacturer	Appliance	Order No.	Quantity	List Price p
Coloplast Ltd	* Conveen Security+ leg bag 350ml			
	25cm tube	5164	10	2330
	50cm tube	5165	10	2330
	* Conveen Security+ leg bag 500ml			
	25cm tube	5160	10	2330
	50cm tube	5161	10	2330
S	25cm tube	5162	10	2477
S	50cm tube	5163	10	2477
	* Conveen Security+ leg bag 750ml			
	25cm tube	5166	10	2330
	50cm tube	5167	10	2330
	* Conveen Contour 600ml leg bag (adjustable tube)	5170	10	2829
S	5cm inlet tube	5172	10	2829
S	30cm inlet tube	5173	10	2829
	* Conveen Contour 800ml leg bag			
S	45cm tube	5175	10	2829
S	* Aquadry leg bag			
	* 350ml short tube	783463	10	2494
	* 350ml long tube Adjustable	783501	10	2494
	* 500ml short tube	783471	10	2494
	* 500ml long tube Adjustable	783528	10	2494
	* 750ml short tube	783498	10	2494
	* 750ml long tube Adjustable	783536	10	2494
	Simple Plus leg bags with two-step safety lock tap and anti-kink tubing			
S	350ml 6cm tube	21561	10	2787
S	350ml 25cm tube	21562	10	2787
S	500ml 6cm tube	21571	10	2787
S	500ml 25cm tube	21572	10	2787
	500ml 50cm tube	21583	10	2726
S	750ml 6cm tube	21591	10	2787
S	750ml 25cm tube	21592	10	2787
	Simple Plus knee bag with additional strap (3 straps per box of 10)			
SW	1500ml	21577	10	2835
S	Simple Plus Syphon Bags			
	750ml, 6cm tube	21566	10	2835
	750ml, 25cm tube	21567	10	2835

IXB

INCONTINENCE APPLIANCES

LEG BAGS

Manufacturer	Appliance	Order No.	Quantity	List Price p
Coloplast Ltd	S Simpla Trident T1 with slide action tap			
	* 350ml short tube	370802	10	2762
	* 500ml long tube	370817	10	2784
	* 500ml short tube	370807	10	2784
	* 750ml long tube	370819	10	2796
	* 750ml short tube	370809	10	2796
	* 750ml adjustable long tube	370904	10	2796
	S Simpla Trident T2 with lever action tap			
	* 350ml bag short tube	376137	10	2795
	* 500ml bag short tube	376138	10	2826
	* 500ml bag long tube	376139	10	2826
	* 750ml bag short tube	376140	10	2839
	* 750ml bag long tube	376142	10	2839
	* 750ml bag adjustable long tube	376141	10	2839
ConvaTec Ltd	* 500ml Accuseal leg bag	S450	10	2059
Flexicare Medical Ltd	Flexicare leg bag with lever tap outlet, night drainage connector and velcro anti slip straps			
	S * 350ml short tube	00-1352	10	2220
	S * 500ml short tube	00-1502	10	2220
	S * 750ml short tube	00-1752	10	2220
	S * 350ml long tube	00-2352	10	2220
	S * 500ml long tube	00-2502	10	2220
	S * 750ml, long tube	00-2752	10	2220
	S * 500ml (60cm adjustable tube)	00-3502	10	2260
	* 500ml (60cm adjustable tube)	00-3501	10	2150
Hollister Ltd	S Leg Bag 500ml/10cm inlet (Regular)	9621	10	2729
	S Leg Bag 500ml/50cm inlet (Regular)	9624	10	2729
	S Leg Bag 800ml/10cm inlet (Regular)	9631	10	2739
	S Leg Bag 800ml/50cm variable inlet (Regular)	9632	10	2739
	* Urinary Leg Bag 540ml with 37cm extension tube	9820	10	2722
	S * Urinary Leg Bag 540ml with direct inlet connector	9814	10	2656

INCONTINENCE APPLIANCES

LEG BAGS

Manufacturer	Appliance	Order No.	Quantity	List Price p
Jade-Euro-Med Ltd	Kipper bag, black	KB	1	2772
	Kipper bag, trans	KBT	1	2723
	S * Leg Drainage bag/Direct Inlet 350ml S	LBWT/350	10	2378
	S * Leg Drainage bag/30cm Inlet tube 350ml L	LBWT/350	10	2378
	S * Leg Drainage bag/Direct Inlet 500ml S	LBWT/500	10	2378
	S * Leg Drainage bag/10cm Inlet tube 500ml M	LBWT/500	10	2378
	S * Leg Drainage bag/30cm Inlet tube 500ml L	LBWT/500	10	2378
	S * Leg Drainage bag/Direct Inlet 750ml S	LBWT/750	10	2481
	S * Leg Drainage bag/10cm Inlet tube 750ml M	LBWT/750	10	2481
	S * Leg Drainage bag/30cm Inlet tube 750ml L	LBWT/750	10	2481
	S * Leg Drainage bag/38cm Inlet tube 750ml XL	LBWT/750	10	2481

IXB

Manufacturer	Appliance	Order No.	Quantity	List Price p	
Manfred Sauer GmbH	Discreet Thigh Bag, overnight connector tube and fabric/velcro leg straps (1 pair per box of 10)				
	S * 450ml diagonal direct inlet tube suitable for suprapubic catheter connection	70.04S	10	2278	
	S * 400ml straight direct inlet tube	70.06S	10	2278	
	Bendi Bag leg bag with tap outlet, overnight connector tube and fabric/velcro leg straps (1 pair per box of 10)				
	* 700ml Direct inlet tube, swing tap	70.33-04	10	2122	
	* 700ml 12cm inlet tube, swing tap	70.33-12	10	2122	
	* 700ml 20cm inlet tube, swing tap	70.33-20	10	2122	
	* 700ml 35cm adjustable inlet tube, swing tap	70.33-35adj	10	2122	
	* 700ml 35cm adjustable inlet tube, slide tap	70.33-35Padj	10	2122	
	S * 700ml Direct inlet tube, swing tap	70.33-04S	10	2451	
	S * 700ml 12cm inlet tube, swing tap	70.33-12S	10	2451	
	S * 700ml 20cm inlet tube, swing tap	70.33-20S	10	2451	
	S * 700ml 35cm adjustable inlet tube, swing tap	70.33-35Sadj	10	2451	
	* W 1300ml Direct inlet tube, swing tap	70.47-04	10	2122	
	* W 1300ml 12cm inlet tube, swing tap	70.47-12	10	2122	

INCONTINENCE APPLIANCES

LEG BAGS

Manufacturer	Appliance	Order No.	Quantity	List Price p
Manfred Sauer GmbH	* W 1300ml 20cm inlet tube, swing tap	70.47-20	10	2122
	* W 1300ml 35cm adjustable inlet tube, swing tap	70.47-35adj	10	2122
	* W 1300ml 35cm adjustable inlet tube, slide tap	70.47-35Padj	10	2122
	*S W 1300ml Direct inlet tube, swing tap	70.47-04S	10	2451
	*S W 1300ml 12cm inlet tube, swing tap	70.47-12S	10	2451
	*S W 1300ml 20cm inlet tube, swing tap	70.47-20S	10	2451
	*S W 1300ml 35cm adjustable inlet tube, swing tap	70.47-35Sadj	10	2451
	Comfort Leg Bag 600ml with universal adapter, 2 straps and 1 latex connector			
	Direct inlet glued adapter, swing tap	710.1104	10	2286
	15cm inlet adjustable, swing tap	710.1315adj	10	2286
	45cm inlet adjustable, swing tap	710.1345adj	10	2286
	Direct inlet glued adapter, push valve/sliding tap	710.2104	10	2286
	15cm inlet adjustable, push valve/sliding tap	710.2315adj	10	2286
	45cm inlet adjustable, push valve/sliding tap	710.2345adj	10	2286
	Comfort Leg Bag 600ml with universal adapter, 1x 4cm wide top strap & 1 x 2cm wide bottom strap and 3 latex connectors.			
S *	Direct inlet glued adapter, swing tap	710.1204S	10	2467
S *	15cm inlet adjustable, swing tap	710.1415Sadj	10	2467
S *	45cm inlet adjustable, swing tap	710.1445Sadj	10	2467
S *	Direct inlet glued adapter, push valve/sliding tap	710.2204S	10	2467
S *	15cm inlet adjustable, push valve/sliding tap	710.2415Sadj	10	2467
S *	45cm inlet adjustable, push valve/sliding tap	710.2445Sadj	10	2467
	Comfort Leg Bag "R" 600ml with universal adapter, 2 straps and 10 latex adapters			
S *	45cm inlet adjustable, reverse swing tap, attached night bag adapter	R710.1445SOadj	10	2659
	Comfort Leg Bag "XR" 1000ml with universal adapter, 2 straps and 10 latex adapters			
S *	45cm inlet adjustable, reverse swing tap, attached night bag adapter.	R711.1445SOadj	10	2710

INCONTINENCE APPLIANCES

LEG BAGS

Manufacturer	Appliance	Order No.	Quantity	List Price p
Mentor Medical Ltd	* Catheter drainage bag - Large	WP205-01-S	1	416
	Small	WP205-05-B	1	416
	Rubber bag with leg strap	WS111-05-U	1	4003
S	Freedom Tri-Form Leg Bags			
*	350ml short tube	5350	10	2651
*	350ml short tube with soft backing	5351	10	2651
*	500ml short tube	5500	10	2655
*	500ml short tube with soft backing	5501	10	2651
*	500ml medium tube	5502	10	2686
*	500ml medium tube with soft backing	5503	10	2682
*	500ml long tube	5504	10	2709
*	500ml long tube with soft backing	5505	10	2705
*	500ml extra long adjustable tube	5506	10	2793
*	500ml extra long adjustable tube with soft backing	5507	10	2793
*	750ml short tube	5750	10	2835
*	750ml short tube with softbacking	5751	10	2835
*	750ml long tube	5754	10	2835
*	750ml long tube with soft backing	5755	10	2835
*	750ml extra long adjustable tube	5756	10	2835
*	750ml extra long adjustable tube with soft backing	5757	10	2835
	Paediatric/Child 120ml leg bag with 1 pair of leg straps per pack	E120V	10	2310
S G & P Payne*	Incontiaid leg bag			
	500ml	0830	1	278
	750ml	0831	1	278
	GU Black Butyl (or Latex) Rubber Kipper (SP, St. Peter's) Bags			
	Standard single chambered bag 568ml	0922/GU532	1	4396
	Ross type. As above, but with reinforced patches	0926/GU532/R	1	5018
	Standard 568ml bag with box outlet tap	0924/GU532/LT	1	5419
	Standard 568ml bag with short neck for females	0925/GU532/F	1	4396
	Standard 1136ml bag for night use	0923/GU532/40	1	5919
	Rubber bag for catheter drainage, short neck leg strap	SP/1	1	3013
	Female rubber drainage bag with conical mount	SP/5	1	2860
	As above with web belt and looped support strap	SP/5a	1	3372

IXB

INCONTINENCE APPLIANCES

LEG BAGS

Manufacturer	Appliance	Order No.	Quantity	List Price p
ProSys International Ltd	S ProSys Sterile Leg Bags. Containing 1 pair of soft elasticated cotton velcro straps per box of 10			
	350ml short tube	P350S	10	2600
	350ml long tube	P350L	10	2600
	500ml short tube	P500S	10	2600
	500ml long tube	P500L	10	2600
	750ml short tube	P750S	10	2600
	750ml long tube	P750L	10	2600
Rüsch UK	Kipper bag			
	Trans/white without strap and buckle	LM886000	1	2348
	Trans/white	LM886001	1	2865
	All black rubber	LM886002	1	2865
	All black plastic	LM886003	1	2865
Salts Healthcare	* Heritage leg bag pack	ZL0020	5	1153 △
Shiloh Healthcare Ltd	Contibag leg bag			
	S 350ml short tube	CBS350	10	2544
	S 500ml short tube	CBS500	10	2595
	S 750ml short tube	CBS750	10	2646
	S 350ml long tube	CBL350	10	2544
	S 500ml long tube	CBL500	10	2595
	S 750ml long tube	CBL750	10	2646
Universal Hospital Supplies	S Unicorn leg bag			
	* 350ml short tube	UN222V	10	1760
	* 500ml short tube	UN333V	10	1780
	* 500ml long tube	UN333VL	10	1780
	* 750ml short tube	UN444V	10	1800
	* 750ml long tube	UN444VL	10	1800

INCONTINENCE APPLIANCES

LEG BAGS

Manufacturer	Appliance	Order No.	Quantity	List Price p	
Unomedical Ltd	S Careline Leg Bag with tap outlet, overnight connection tube and elasticated velcro straps (1 pair per box of 10)				
	* 350ml short tube	45-01 SVC	10	2435	
	* 350ml long tube	45-02 LVC	10	2435	
	* 500ml short tube	45-05 SVC	10	2499	
	* 500ml long tube	45-06 LVC	10	2499	
	* 750ml short tube	45-09 SVC	10	2551	
	* 750ml long tube	45-10 LVC	10	2551	
		Careline Leg Bag with lever tap			
	S *	500ml short tube	46-05-SVC	10	2499
	S *	500ml long tube	46-06-LVC	10	2499
	S *	750ml short tube	46-09-SVC	10	2551
S *	750ml long tube	46-10-LVC	10	2551	
Ward Surgical Appliance Co	Kipper bag, black trans or white rubber	WM64	10	2332	
	* Leg drainage bag				
	350ml	WM65	10	1126	
	500ml	WM66	10	1161	
	750ml	WM67	10	1230	
	St. Peters Pattern SP bag	WM76	5	3117	
	Ward's Comfort Range				
	* Leg drainage bag				
	350ml	WM68	10	1131	
	500ml	WM69	10	1163	
750ml	WM70	10	1223		

IXB

INCONTINENCE APPLIANCES

NIGHT DRAINAGE BAGS

These bags are suitable for night-time use for the collection of urine from indwelling catheters or incontinence sheaths. They are generally used in conjunction with a bag hanger which, being a nursing aid, is not prescribable. Supply arrangements for bag hangers tend to vary throughout the country but they are normally supplied through the community nursing service.

Note: The drainage bags listed below except non-drainable bags, have a life-in-use of, on average 5-7 days.

Symbols used in this section

- # Non-drainable bags
- S These Night Drainage Bags are supplied sterile
- Single Use Only
- * Plastics

Manufacturer	Appliance	Order No.	Quantity	List Price p
A1 Pharmaceuticals	# Uriline Non sterile 2 litre bag	A1	10	205
	# Uriline Non sterile 2 litre bag with non-return valve	A2	10	220
	S Uriline 2 litre bag with non-return valve and tap	A4	10	1100
Bard Ltd	# Uriplan collection bag, 2 litre with 90cm inlet tube and non-return valve	D8420	10	248
	Uriplan drainage bag, 2 litre with 98cm inlet tube, non-return valve and tap outlet	D81-3131	10	1245
	□ Uriplan One MT 2 litre bag with drainage tap	D1MT	10	320
Coloplast Ltd	S Conveen drainage bag 1.5 litre	5062	10	1429
	Assura 2 litre night bag with 120cm anti-kink tubing	21365	10	1587
	S Simpla 2 litre S5 (formerly S4 Plus) Urine drainage bag	346145	10	1196
	S Simpla 2 litre S4 Urine drainage bag - long tube	340805	10	1325
	S Simpla 2 litre S4 Urine drainage bag - short tube	340801	10	1282
	# Simpla 2 litre S1 Urine drainage bag with standard size connector	311102	10	253
	# Simpla 2 litre S2 Urine drainage bag with non-return valve with standard size connector	320902	10	267
ConvaTec Ltd	S Simpla Plus 2 litre night bag with 120cm anti-kink tubing	21576	10	1649
	Accuseal drainage bag	S500	5	829
	Night drainage bag	S320	5	829
Dansac Ltd	Dansac night drainage bag 2 litre	420-00	10	1192

INCONTINENCE APPLIANCES

NIGHT DRAINAGE BAGS

Manufacturer	Appliance	Order No.	Quantity	List Price p
Flexicare Medical Ltd	Flexicare F4, sterile 2 litre drainage bag with 100cm inlet tube, non-return valve and tap outlet	00-1200	10	950
	Flexicare F4L, sterile 2 litre drainage bag with 100cm inlet tube, non-return valve and lever tap outlet	00-1201	10	970
	# Flexicare F2, sterile 2 litre drainage bag with 100cm inlet tube and non-return valve	00-2202C	10	210
	□ Flexicare F2 EZ 2 litre drainage bag with single use snap twist-off tap	00-2203C	10	321
Hollister Ltd	# Night drainage bag 2000ml (Non-Drainable)	9651	10	241
	S Night drainage bag 2000ml (Drainable)	9650	10	1223
	Hollister urostomy night drainage bag	5550	10	1112
Jade-Euro-Med Ltd	S 2 litre drainage bag with tap outlet	2LNB	1	156
	# Jade J2 2 litre bag with 90cm inlet tube and non-return valve	J2	10	235
L.IN.C Medical Ltd	□ 2 litre overnight drainage bag with non-return valve	LM2LNS	10	210
	S 2 litre overnight drainage bag with non-return valve	LM2LS	10	262
	□ 2 litre drainage bag with tap, 120cm tube, non-return valve, antibacterial filter, Pasteur drip chamber and integral handle	TZ01	10	1600
	S 2 litre drainage bag with tap, 120cm tube, non-return valve, antibacterial filter and integral handle	TZ02	10	1200
Mentor Medical Ltd	S FreedomCysto-Care, 2 litre silver	2011	10	1310
	Mirage night drainage bag 2 litre	32-540-10	10	1106
	Inbeds 2 litre drainage bag with twist tap	IB2000C	10	1460
	* Tri-Form 2 litre night drainage bag with 90cm inlet tube and non-return valve with universal connector	TFN2000	10	228
Neomedic Ltd	S Neovac 2000ml urine drainage bag with 90cm inlet tube and non-return valve	NVB2	10	224
ProSys International	Sterile 2 litre drainage bag with 90cm inlet tube, non-return valve, sample port connector and outlet tap	P2000	10	1220
	Non Sterile 2 litre drainage bag with 90cm inlet tube and non-return valve	P2	10	209
Salts Healthcare	2 litre urine drainage bags	ZL0400	10	1340 △
Shiloh Healthcare Ltd	Contibag sterile 2 litre storage bag (drainable)	CBN2L	10	1119

IXB

INCONTINENCE APPLIANCES

NIGHT DRAINAGE BAGS

Manufacturer	Appliance	Order No.	Quantity	List Price p
Unomedical Ltd	# Careline E1, 2 litre urine drainage bag with 90cm inlet tube	45-30-LBC	10	214
	# Careline E2, 2 litre urine drainage bag with 90cm inlet tube and non-return valve	45-40-LBC	10	229
	Careline E4, 2 litre urine drainage bag with 90cm inlet tube and non-return valve and tap outlet	45-20-IDC	10	1123
	S Careline E4 Night Bag, 2 litre with lever tap	46-20-IDC	10	1103
	□ Easi MT 2 litre drainage bag with 90cm inlet tube, non-return valve and single use twist off drainage outlet	47-60-LBH	10	307
VitalCare (UK) Ltd	# 2 litre night drainage bag with 90cm inlet tube and non-return valve	80152	10	233
Ward Surgical Appliance Co	2 litre drainage bag with outlet and non-outlet	WM71	10	1224

INCONTINENCE APPLIANCES

SUSPENSORY SYSTEMS

These appliances should not be confused with leg bag garments which are not prescribable. Each system comprises a drainage bag with its means of support.

Note: *The bags may be used for 5-7 days, sometimes longer, but the support systems will have a much longer life.*

Symbols used in this section

* Plastics

Manufacturer	Appliance	Order No.	Quantity	List Price p
Bard Ltd	Urisac Portabag belt	7681	1	774
	* Urisac Portabag	7680	10	1321
Jade-Euro-Med Ltd	Portabag Left Hand Inlet	JEPB/L	10	1730
	Portabag Right Hand Inlet	JEPB/R	10	1730
	Portabelt	JEPB/B	1	880
Manfred Sauer GmbH	NephSys: Nephrostomy drainage system Contains 4x 500ml sterile drainage bags, 2x bag suspenders, 1x waist belt			
	Small belt (20cm inlet)	NephSys.01S	1	3336
	Small belt (30cm inlet)	NephSys.01L	1	3336
	Adult Belt (20cm inlet)	NephSys.02S	1	3336
	Adult Belt (30cm inlet)	NephSys.02L	1	3336
	NephSys: Replacement belts			
	Small	NSBelt.01	1	1800
	Adult	NSBelt.02	1	1800
	NephSys: 500ml sterile drainage bag			
	20cm inlet	NS721.1720S	10	3840
30cm inlet	NS721.1730S	10	3840	
Mentor Medical Ltd	Leg bag holster			
	Small 61cm-76cm	WH6176	1	961
	Medium 76cm-91.5cm	WH7691	1	961
	Large 91.5cm - 112cm	WH91112	1	961
* 400ml Holster bag	400 H	10	2056	
Rüsch UK	Belly Bag (includes belt) (Each bag may be used for up to 28 days)			
	Belly Bag with extended drainage tubing	B1000CT	2	2100
	Belly Bag replacement belt	P0337	2	470
	Belly Bag with sample port	B1000P	2	2100

IXB

INCONTINENCE APPLIANCES

TUBING AND ACCESSORIES

Manufacturer	Appliance	Order No.	Quantity	List Price p
Bard Ltd	Leg bag straps (washable)	15LS	10	1372
	Leg bag straps, Latex	8440	20	281
	Leg bag straps, foam/velcro	8441	20	534
	Urisleeve leg bag holder			
	Small (24-39cm)	150111	4	766
	Medium (36-55cm)	150121	4	766
	Large (40-70cm)	150131	4	766
Beambridge Medical	Beambridge Funnel Male Urinal Director/Positioner	6-35	1	1200
	Beambridge Lady Funnel Female Urinal Director/Positioner	6-40	1	1249
	Beambridge Mini Funnel Male Urinal Director/Positioner	6-35M	1	1200
Coloplast Ltd	Velcrobands (washable)	5050	20	3987
	Aquasleeve			
	Small (leg circum. 24-33cm)	783678	4	780
	Standard (leg circum. 34-39cm)	783680	4	780
	Medium (leg circum. 40-46cm)	783686	4	780
	Large (leg circum. 47-64cm)	783694	4	780
	Extra Large (leg circum. 65cm+)	783708	4	764
	Leg bag extension tube	380303	10	518
	Elasticated leg bag straps (washable)	380812	10	1449
	Simpla G-Strap			
	short	383002	5	1326
	adult	383001	5	1326
	abdominal	383003	5	1463
	Simpla Plus Knee Bag Straps	21560	15	2134
ConvaTec Ltd	Accuseal leg bag extension tube	S455	10	760
Flexicare Medical Ltd	Leg bag straps (pairs); washable, anti slip with velcro fastening	00-0032	10	1150

INCONTINENCE APPLIANCES

TUBING AND ACCESSORIES

Manufacturer	Appliance	Order No.	Quantity	List Price p	
Hollister Ltd	Deluxe Leg bag straps				
	35cm (extra small)	9663	2	298	
	38cm (small)	9660	2	298	
	49cm (medium)	9661	2	298	
	56cm (large)	9662	2	298	
	Leg bag holsters				
	Small	9612	4	754	
	Medium	9613	4	754	
	Large	9614	4	754	
	Leg bag straps, Elasticated and washable	9625	10	1326	
	Leg bag straps				
	35.5cm (calf)	9342	2	309	
	58.5cm (thigh)	9343	2	309	
	Jade-Euro-Med Ltd	Euro J-strap	JEJS	5	1257
Eurosleeve					
Small (24-33cm)		JES1	4	749	
Standard (34-39cm)		JES2	4	749	
Medium (40-46cm)		JES3	4	749	
Large (47-64cm)		JES4	4	749	
Eurosleeve All in One					
Small (24-39cm Yellow)		JES6	4	750	
Medium (36-55cm Blue)		JES7	4	750	
Large (40-70cm Brown)		JES8	4	750	
Leg bag connecting tube with mount		LBCTM	1	260	
Leg bag connecting tube		LBCT	1	151	
Velcro leg straps		VLS	2	195	
JBOL Ltd	Whiz Urine Director	ATD2002.1	1	890	
Manfred GmbH	Sauer	K+ICS Sheath Expander	100.01	1	6541
		(can only be used to expand Manfred Sauer K+ICS Sheaths over the penis to allow for clean intermittent self catheterisation - see Incontinence Sheaths section this publication for Manfred Sauer K+ICS Sheaths, order no. 103.nn).			
		K+ICS Sheath Tips	100.05	10	1633
		(can only be used with Manfred Sauer K+ICS Sheaths - see Incontinence Sheaths section of this publication for Manfred Sauer K+ICS Sheaths, order no. 103.nn.)			
		Leg Bag Narrow Strap 20mm wide	LB.N	1	115
		Leg Bag Wide Strap 38mm wide	LB.W	1	192
		Leg Bag to Night Bag	55.38-10	10	270
		Latex Connectors			

IXB

INCONTINENCE APPLIANCES

TUBING AND ACCESSORIES

Manufacturer	Appliance	Order No.	Quantity	List Price p
Mentor Medical Ltd	Stopcock for use on chiron plastic urinal bags in place of screw cap	WS155-20-E	1	494
	Rubber extension tube (with mounts)	WS152-01-M	1	510
	Rubber tubing (1.5m long)	WS152-20-R	1	1192
	Plastic connector with tube	WS152-25-C	1	339
	Female connector for Mitcham bag	WH566-01-G	1	228
	Night bag connector	WH533-01-C	1	138
	Spare "O" rings for pp urinal	WR045-01-R	5	130
	Uro-Flo Elastic Velcro Leg Straps	WS167-35-H	10	468
	Leg bag extension tube			
	30cm	ET30	10	2660
	60cm	ET60	10	2926
	Silgrip Elasticated leg strap	EC1	10	1354
	Silgrip side-fix leg strap (thigh fitting)	SF1	10	1354
	Silgrip side-fix leg strap (calf fitting)	SF2	10	1287
	S G & P Payne	152mm Rubber extension tube	1201	1
Non-Spill Adaptor		1351	1	661
Velcro leg strap		1001	1	102
Rubber leg strap		1003	1	130
ProSys International Ltd	Soft elasticated cotton leg bag support straps with silicone leg grip	P10LS	10	1295
Rüsch UK	35.5cm connecting tube for drip urinal	LM754136	1	284
Salts Healthcare	Heritage leg bag extension tube	ZL0021	2	231 △
The Kendall Company (UK) Ltd				
	Argyle Foam and Velcro leg strap 75cm (washable)	8887-600149	1	169
	Argyle Foam and Velcro Abdomen strap 150cm (washable)	8887-600156	1	317
	Argyle Penrose Tubing			
	6mm ID, length 44cm	8888-514604	50	3075
	8mm ID, length 44cm	8888-514802	50	3075
	10mm ID, length 44cm	8888-515007	50	3075
	13mm ID, length 44cm	8888-515205	50	3075
	16mm ID, length 44cm	8888-515403	50	3075
	19mm ID, length 44cm	8888-515601	50	3075
	25mm ID, length 44cm	8888-515809	50	3075
Unomedical Ltd	Careline leg bag straps	45-85-EX	10	1338

INCONTINENCE APPLIANCES

URINAL SYSTEMS

The devices listed below are specialist appliances which comprise several components and need to be correctly fitted by someone competent to do so. Generally patients should have 2 appliances, one to wear and one to wash.

Note: In general the individual components can be prescribed separately for replacement purposes. With proper care and cleansing, each appliance should last for 6 months.

Manufacturer	Appliance	Order No.	Quantity	List Price p
Bard Ltd	Maguire urinal and adaptor waist sizes			
	66-81 cm	050802	1	6705
	81-96 cm	050803	1	6705
	96-112 cm	050804	1	6705
	Maguire adaptor & tubing	600532		905
Beambridge Medical	Bridge Saddle urinal	6-26	1	1299
	Bridge urinal	6-18	1	1299
	Bridge urinal with tap	6-18T	1	1299
	Beambridge Drainage Bags for use with Beambridge Urinals	6-55	10	1400
	Male Draining Jug	6-50	1	1299
	Male Draining Jug with tap	6-50T	1	1299
Coloplast Ltd	Aquadry cones for use with pubic pressure flanges			
	Straight			
	Small	787140	1	1269
	Medium	787159	1	1269
	Large	787167	1	1269
	Curved			
	Small	787175	1	1269
Medium	787183	1	1269	
Large	787191	1	1269	



INCONTINENCE APPLIANCES

URINAL SYSTEMS

Manufacturer	Appliance	Order No.	Quantity	List Price p
Coloplast Ltd	Aquadry pubic pressure flange with rubber understraps			
	Child			
	12mm	787000	1	2936
	15mm	787019	1	2936
	18mm	787027	1	2936
	22mm	787035	1	2936
	25mm	787043	1	2936
	Adult			
	25mm	787078	1	3024
	29mm	787086	1	3024
	32mm	787094	1	3024
	35mm	787108	1	3024
	38mm	787116	1	3024
	41mm	787124	1	3024
	44mm	787132	1	3024
	Aquadry pubic pressure urinal 1 all-in-one appliance with pressure ring, tapered inner sleeve trimmed to fit and rubber understraps			
		470856	1	6140
	Aquadry pubic pressure urinal 2 all-in-one appliance with pressure ring, diaphragm and rubber straps			
	25mm	785709	1	6140
	32mm	785717	1	6140
	38mm	785725	1	6140
	Aquadry pubic pressure urinal 3 all-in-one appliance with pressure ring, diaphragm and scrotal support			
	25mm	785733	1	6140
	32mm	785741	1	6140
	38mm	785768	1	6140
	Aquadry rubber belt			
	61cm, 71cm, 91.5cm, 112cm	787205	1	354
	Aquadry urinal all-in-one appliance with inner sheath and rubber understraps			
	29mm	784001	1	6140
	32mm	784028	1	6140
	35mm	784036	1	6140
	38mm	784044	1	6140
	41mm	784052	1	6140
	Rubber leg bag connecting tube with female attachment for urinal			
		785776	1	309

INCONTINENCE APPLIANCES

URINAL SYSTEMS

Manufacturer	Appliance	Order No.	Quantity	List Price p
Ellis, Son & Paramore Ltd	Hallam Modular Urinals	NS200	1	3163
	Spare bag	NS200(a)	1	168
	Spare belt	NS200(b)	1	375
Hollister Ltd	Retracted Penis Pouch	9811	10	2682
	Retracted Penis Pouch with Flexextend Skin Barrier	9873	10	2636
Jade-Euro-Med Ltd	Male urinals - all fitted with taps			
	Day and night use urinal with diaphragm, Scrotal support and bag. STATE SIZE OF DIAPHRAGM	Fig 4A	1	5743
	Urinal with waistband, Scrotal support complete with inner sheath and bag	Fig 5	1	6989
	Urinal with waistband, connection tube, rubber understraps, complete with tapered inner sheath and bag	Fig 6A	1	6791
	Adult male urinal with pressure ring, diaphragm, rubber understraps. STATE SIZE OF DIAPHRAGM	Fig 101	1	6214
	Day and night urinal with pressure ring, inner sheath, waistband and understraps. STATE SIZE OF SHEATH	Fig 104	1	6822
	Day and night urinal with sheath, waistbelt, understraps and plastic bag	Fig 105	1	6617

IXB

INCONTINENCE APPLIANCES

URINAL SYSTEMS

Manufacturer	Appliance	Order No.	Quantity	List Price p
Jade-Euro-Med Ltd	Urinal with inner sheath, rubber understraps and plastic bag. STATE SIZE OF SHEATH	Fig 106	1	6132
	Day and night urinal, scrotal support and plastic bag	Fig 107	1	5892
	Day and night urinal to contain penis and scrotum, fitted with inner sheath and diaphragm complete with bag	Fig 111A	1	5772
	Male jockey appliance with bag. STATE WAIST SIZE	M200	1	6146
	Replacement belt for above. STATE WAIST SIZE	JB/200	1	1207
	Outer receiver	O/R	1	1406
	Inner sheath	I/S	5	1406
	Plastic bags	OLBWT(L)	5	1548
	Rubber bag	RB/M200	1	2581
	Ring	SP/M200	1	101
	Stoke Mandeville replacement sheath (state size of sheath)	SMS	1	644
	Stoke Mandeville male urinal with double bag (state size of sheath)	SMDB	1	7834
	Male PP urinal with 5 plastic bags (state size of sheath)	PP2	1	6566
	Spare parts for PP Urinals:			
	Flange with sheaths, state size	PP3	1	3260
	Cone - small straight	PP4	1	1293
	Cone - small curved	PP5	1	1293
	Cone - medium straight	PP6	1	1293
	Cone - medium curved	PP7	1	1293
	Cone - large straight	PP8	1	1293
	Cone - large curved	PP9	1	1293
	Cone - ex-large straight	PP10	1	1293
	Plastic bag small	OLBWT(S)	5	1548
	Plastic bag large	OLBWT(L)	5	1548

INCONTINENCE APPLIANCES

URINAL SYSTEMS

Manufacturer	Appliance	Order No.	Quantity	List Price p
Jade-Euro-Med Ltd	Rubber bag with air vent for use with all Jade-Euro-Med urinals	PP13	1	2530
	Progress long life plastic urinal bags pk 10	M700	1	2756
	Progress long life plastic scrotal urinal bags pk 10	M800	1	2756
	Fridjohn urinal	M600	1	8241
	Y.B. Wet. A complete urinal system STATE SHEATH SIZE 25mm/29mm/32mm/36mm/41mm	M500	1	6688
	Essex appliance. A complete urinal system. STATE SHEATH SIZE 21mm/25mm/31mm/35mm/40mm	M400	1	5298
	1-piece belt, incorporating double based flange and bag	KM28	1	5588
	1-piece belt, with flange and 5 plastic bags	KM29	1	5588

IXB

Manufacturer	Appliance	Order No.	Quantity	List Price p
LRC Products Ltd	† Dry Sheaths		144	1442
	† to be deleted 1 March 2005			
Manfred Sauer GmbH	URlbag pocket sized (when not in use) reusable urinal for men & urinary/ostomy appliance users, 1.1 Litre capacity	URlbag	1	1298
	URlbag F pocket sized (when not in use) reusable urinal for females, 1.2 Litre capacity	URlbagF	1	1298
	URlfem female reusable bottle urinal (sterile up to 130°C) for women lying down or in semi-sitting position in bed, 1 Litre capacity	URlfem	1	1298
Mentor Medical Ltd	Male PP urinal, child, with integral flange Plastic bag:			
	Curved cone			
	Small	WR011-01-H	1	6599
	Medium	WR013-01-R	1	6599

INCONTINENCE APPLIANCES

URINAL SYSTEMS

Manufacturer	Appliance	Order No.	Quantity	List Price p
Mentor Medical Ltd	Replacement PP flange with integral sheath for child pp urinals:			
	Sheath 13mm Flange 25mm	WS025-13-K	1	3716
	Sheath 16mm Flange 25mm	WS025-16-R	1	3716
	Sheath 19mm Flange 25mm	WS025-19-X	1	3716
	Sheath 22mm Flange 25mm	WS025-22-L	1	3716
	Sheath 25mm Flange 32mm	WS032-25-K	1	3716
	Replacement curved rubber cone top for above urinals			
	Small	WS130-01-S	1	1571
	Medium	WS130-03-W	1	1571
	Large	WS130-05-B	1	1571
	Replacement straight rubber cone top for above urinals			
	Small	WS135-01-P	1	1571
	Medium	WS135-03-T	1	1571
	Large	WS135-05-X	1	1571
	Ex-large	WS135-07-C	1	1571
	Replacement double-based PP flange			
	child 32mm opening	WS160-32-V	1	3321
	adult 38mm opening	WS160-38-J	1	3321
	adult 44mm opening	WS160-44-D	1	3321
	Chailey male urinal, child with plastic bag	WR105-01-B	1	6946
	Chailey male urinal, adolescent/adult with rubber bag	WP100-01-P	1	6228
	plastic bag	WP105-01-L	1	7889
	Spares for Chailey urinals1 piece curved top with integral sheath and under-straps			
	child 22mm sheath	WS200-22-R	1	4156
	adult 22mm sheath	WS202-22-A	1	4156
	adult 25mm sheath	WS202-25-G	1	4156
adult 29mm sheath	WS202-29-Q	1	4156	
adult 32mm sheath	WS202-32-D	1	4156	
adult 35mm sheath	WS202-35-K	1	4156	
adult 38mm sheath	WS202-38-R	1	4156	
adult 44mm sheath	WS202-44-L	1	4156	

INCONTINENCE APPLIANCES

URINAL SYSTEMS

Manufacturer	Appliance	Order No.	Quantity	List Price p
Mentor Medical Ltd	- rubber belt			
	61cm	WS101-61-A	1	613
	66cm	WS101-91-26	1	613
	71cm	WS101-91-28	1	613
	76cm	WS101-91-30	1	613
	81cm	WS101-91-32	1	613
	86cm	WS101-91-34	1	613
	91cm	WS101-91-36	1	613
	97cm	WS101-91-38	1	613
	102cm	WS101-91-40	1	613
	107cm	WS101-91-42	1	613
	112cm	WS101-91-44	1	613
	117cm	WS101-91-46	1	613
	- rubber bags (suitable also for PP and Chironurinals)	WS110-01-G	1	1977
		WS110-05-Q	1	2708
	- plastic bags (suitable also for PP urinals & Chiron urinals)			
	wide neck	WS120-10-N	1	408
	adult	WS120-05-V	1	408
	child	WS120-01-M	1	408
	Male PP urinal, adult, with integral flange			
	rubber bag - various sizes	WP001-01-M	1	7712
		WP003-01-V	1	7712
		WP005-01-E	1	7712
	plastic bag - various sizes	WP011-01-S	1	7288
		WP013-01-B	1	7288
		WP015-01-K	1	7288
	Replacement PP flange for above			
	19mm	WS038-19-R	1	3716
	22mm	WS038-22-E	1	3716
	25mm	WS038-25-L	1	3716
	29mm	WS038-29-U	1	3716
	32mm	WS038-32-H	1	3716
	35mm	WS038-35-P	1	3716
	38mm	WS038-38-V	1	3716
	41mm	WS038-41-J	1	3716
	Male PP urinal, adult, with double-based flange			
	- rubber bag - various sizes	WP025-01-Q	1	7821
		WP028-01-D	1	7821
		WP031-01-D	1	7821
	- plastic bag - various sizes	WP035-01-V	1	7288
		WP038-01-J	1	7288
		WP041-01-J	1	7288

IXB

INCONTINENCE APPLIANCES

URINAL SYSTEMS

Manufacturer	Appliance	Order No.	Quantity	List Price p
Mentor Medical Ltd	Replacement sheath for above urinals	WS160-01-J	10	142
	Rubber bag with vent tube for PP urinals adult	WS140-05-G	1	3242
	Rubber double bag, adult, for PP urinals	WS140-08-N	1	3472
	Stoke Mandeville sheath type urinal	WP110-01-U	1	7125
	Stoke Mandeville double rubber bag urinal	WP113-01-H	1	9260
	Replacement sheaths	WS160-02-L	10	427
	Replacement bag for WP113	WS140-07-L	1	3472
	Replacement sheath for WP113			
	19mm	WS162-19-N	1	972
	22mm	WS162-22-B	1	972
	25mm	WS162-25-H	1	972
	29mm	WS162-29-R	1	972
	32mm	WS162-32-E	1	972
	35mm	WS162-35-L	1	972
	Chiron male rubber urinal with webbing belt	WP124-01-S	1	6413
	Male one-piece urinal	WP125-01-W	1	6000
	* Surrey model L/weight urinal L- MK I			
	25mm	WP130-25-V	1	5800
	32mm	WP130-32-S	1	5800
	38mm	WP130-38-F	1	5800
	L - MK II			
	25mm	WP133-25-J	1	5800
	32mm	WP133-32-F	1	5800
	38mm	WP133-38-T	1	5800
	* Replacement bags for the Surrey Urinal can be found on page 377			
	Chiron male plastic urinal (rubber sheaths)	WP145-01-H	1	3319
	Chiron geriatric urinal (film type sheaths)	WP148-01-V	1	4818
	Chiron urinal (rubbersheaths)	WP151-01-V	1	4818
	Replacement sheaths for WP145 & WP151			
	22mm	WS168-22-C	1	613
	25mm	WS168-25-J	1	613
	29mm	WS168-29-S	1	613
	32mm	WS168-32-F	1	613
	38mm	WS168-38-T	1	613

INCONTINENCE APPLIANCES

URINAL SYSTEMS

Manufacturer	Appliance	Order No.	Quantity	List Price p
Mentor Medical Ltd	Replacement net suspensory for WP107, WP129 & WP145	WS107-08-W	1	1441
	Male urinal for bed use	WP136-01-G	1	5413
	Transverse rubber bag & stopcock (child)	WS145-01-U	1	3663
	Non allergic film type sheath	WS161-01-N	10	112

Manufacturer	Appliance	Order No.	Quantity	List Price p
S G & P Payne	Male Incontinence Appliance with rubber belt			
	MK 1 - with combined rubber flange & understraps	0001	1	6878
	MK 2 - with rubber flange & fabric facepiece	0002	1	7396
	MK 3 - with combined rubber flange understraps and coned top	0003	1	6104
	Lightweight male Incontinence Appliance			
	MK 4 - with fabric facepiece & separate long flanged plastic bag with foam pad	0004	1	4361
	MK 5 - with fabric facepiece separate flange & long flanged plastic bag with material facepiece and belt	0005	1	6125
	MK 6 - with combined flange & understraps& long flanged plastic bag & rubber belt	0006	1	5371
	MK 7 - with flange material flange support reinforced coned top and plastic or rubber bag	0007	1	7707
	MK 8 - with flange material flange support long plastic bag	0008	1	6438
	MK 9 - with rubber flange & wide belt with scrotal support	0009	1	7707
	MK 10 - with flange support with wide belt & scrotal support separate flange & long flanged plastic bag	0010	1	6438
	MK 11 - with flange soft replaceable diaphragm material facepiece with belt and adjustable rubber understraps soft coned top plastic or rubber bag	0011	1	7707
	MK 12 - with flange soft replaceable diaphragm material facepiece with belt and adjustable rubber understraps long plastic bag	0012	1	6438

IXB

INCONTINENCE APPLIANCES

URINAL SYSTEMS

Manufacturer	Appliance	Order No.	Quantity	List Price p
S G & P Payne	Replacements for above appliances			
	Rubber flange with - feathered diaphragm (MK2,MK5,MK9,MK10)			
	Medium 32mm	0511	1	1993
	Large 38mm	0512	1	1993
	Ex-large 45mm	0513	1	1993
	and understrap (MK1,MK6)			
	Small 25mm	0501	1	3083
	Medium 32mm	0502	1	3083
	Large 38mm	0503	1	3083
	Ex-large 45mm	0504	1	3083
	Feathered diaphragm & combined reinforced top	0560	1	3498
	Rubber flange 38mm (MK11 MK12)	0516	1	1992
	Rubber flange 45mm (MK11, MK12)	0517	1	1992
	Soft replaceable rubber diaphragms (MK11, MK12)	0519	3	497
	Material facepiece with belt & loop (MK2,MK4,MK5)	0430	1	2309
	Reinforced cone top (MK1,MK2,MK9)			
	Small - to fit 25mm flange	0601	1	1339
	Medium - to fit any size flange	0602	1	1339
	Large - to fit any size flange	0603	1	1339
	Soft coned top (MK11)	0619	1	1340
	Plastic bag (MK1,MK2,MK3,MK7,MK9,MK11)	0801	1	337
	Rubber bag (MK1,MK2,MK3,MK7,MK9,MK11)	0901	1	2027
	Rubber belt (MK1, MK3, MK6)	0101	1	434
	Elastic belt (MK1,MK3,MK6)			
	Waist size 70cm	0201	1	920
	Waist size 75cm	0202	1	920
	Waist size 80cm	0203	1	920
	Waist size 85cm	0204	1	920
	Waist size 90cm	0205	1	920
	Waist size 95cm	0206	1	920
	Web belt (MK1,MK3,MK6)	0301	1	643
	Flange support with wide belt & scrotal support (MK9,MK10)			
	Small - Waist size 70/80cm	0420	1	2620
	Medium - Waist size 80/90cm	0421	1	2620
	Large - Waist size 90/100cm	0422	1	2620

INCONTINENCE APPLIANCES

URINAL SYSTEMS

Manufacturer	Appliance	Order No.	Quantity	List Price p
S G & P Payne	Material flange support (MK7, MK8)			
	70cm	0401	1	2620
	75cm	0402	1	2620
	80cm	0403	1	2620
	85cm	0404	1	2620
	90cm	0405	1	2620
	95cm	0406	1	2620
	100cm	0407	1	2620
	105cm	0408	1	2620
	110cm	0409	1	2620
	Night connector (MK1,MK2,MK3,MK7,MK9,MK11)	0701	1	434
	Long flanged plastic bag (MK5,MK6,MK8,MK10,MK12)			
	38mm - to fit 32/38mm flange	0811	1	455
	45mm - to fit 45mm flange	0812	1	455
	with foam pad (MK4)			
	38mm - to fit 32/38mm flange	0821	1	516
	45mm - to fit 45mm flange	0822	1	516
	Material facepiece with belt and adjustable rubber understraps (MK11, MK12)			
	Small	0414	1	2620
	Medium	0415	1	2620
	Large	0416	1	2620
	Material facepiece with support belt, loop and scrotal (MK2,MK4,MK5)	0441	1	2620
	Incontinaid Reuseable Urinal Bottle	1350	1	850
	Payne's Male Urine Director	0630	1	2461
	Payne's Female Urine Director	0631	1	2462
	PP Urinal Complete with rubber bag/plastic bag	0019	1	6878
	Pubic Pressure Flange			
	25mm with -			
	13mm sheath	0520	1	3083
	17mm sheath	0521	1	3083
	19mm sheath	0522	1	3083
	22mm sheath	0523	1	3083
	32mm with			
	22mm sheath	0524	1	3083
	25mm sheath	0525	1	3083
	38mm with			
	29mm sheath	0526	1	3083
	32mm sheath	0527	1	3083

IXB

INCONTINENCE APPLIANCES

URINAL SYSTEMS

Manufacturer	Appliance	Order No.	Quantity	List Price p
S G & P Payne	45mm with			
	35mm sheath	0528	1	3083
	38mm sheath	0529	1	3083
	42mm sheath	0530	1	3083
	Coned Top			
	Straight			
	Small for 25mm flange	0620	1	1339
	Medium for any size flange	0621	1	1339
	Large for any size flange	0622	1	1339
	Curved			
	Small for 25mm flange	0623	1	1339
	Medium for any size flange	0624	1	1339
	Large for any size flange	0625	1	1339
	Rubber bag with vent tube (MK1,MK2,MK3,MK7,MK9,MK11)	0910	1	2432
	Reinforced cone top with vent tube			
	Small	0610	1	1763
	Medium	0611	1	1763
	Large	0612	1	1763
	Stoke Mandeville condom urinal complete	0020	1	5677
	Spares for above:			
	Kipper bags	0920	1	3193
	Rubber tube & connector	0712	1	248
	Dry incontinence sheaths			
	plain end	1101	100	1652
	teated end	1106	100	1652
	Rubber tubing			
	latex 8mm	1203	per metre	511
red 8mm	1204	per metre	511	
latex 10mm	1205	per metre	511	
red 10mm	1206	per metre	511	
Nylon connectors				
GU	0711	1	144	
SM	0710	1	144	
Latex tubing (per metre)				
8mm bore	1203	1	511	
10mm bore	1205	1	511	

INCONTINENCE APPLIANCES

URINAL SYSTEMS

Manufacturer	Appliance	Order No.	Quantity	List Price p
S G & P Payne	GU Pattern Stoke Mandeville Condom Set	0021	1	5919
	As above with 1136ml bag	0022	1	7343
	Replacement parts for above urinals			
	Kipper bags - see Leg Bags			
	Nylon studs - GU	0711	1	144
	- SM	0710	1	144
	Nylon stud with latex tube	0712	1	248
	Adjustable web belt			
	Waist size up to 95cm	0304	1	678
	Waist size up to 115cm	0305	1	678
	Waist size up to 150cm	0306	1	678
	Male urinal for day and night use, air tube to bag, inner sheath and diaphragm to receiver, web belt and cotton suspensory bag	IU/9	1	5568
	Male urinal with long narrow bag, web belt and cotton suspensory bag	IU/365	1	5796
	Male urinal for day use, the receiver to contain the penis and scrotum, web waist band and tape understraps	IU/11	1	5318
	Male urinal for night use, similar to IU/11 but the receiver designed for use in bed	IU/12	1	5318
	Male urinal to contain penis and scrotum (for the small built man) web belt and tape understraps	IU/11B/893C	1	5318
	Male urinal for day and night use, long rubber bag with two leg straps loops and straps, flanged receiver, air tube, diaphragm and short conical inner sheath, web band and cotton suspensory bag	IU/15/3977	1	5501
	Male urinal for day and night use, short rubber bag, detachable bag and night tube, web belt and cotton suspensory bag	IU/43	1	4433
	Replacement suspension bag - small, medium & large	IU/1458	1	560

IXB

INCONTINENCE APPLIANCES

URINAL SYSTEMS

Manufacturer	Appliance	Order No.	Quantity	List Price p
Rüsch UK	Thames urinal with standard bag and connecting tube	LM751100	1	8323
	Thames urinal with long bag and connecting tube	LM751102	1	8323
	Severn urinal with standard bag and connecting tube	LM752120	1	8323
	Severn urinal with 5 plastic bags and connecting tube	LM752124	1	8323
	Mersey urinal with 5 plastic bags and connecting tube	LM753224	1	8323
	Wye urinal with separate connecting tube & on/off valve	LM751300	1	2690
	+ Arizona male urinal	LM751400	1	8323
	+ to be deleted 1 March 2005			
	'55' male urinal	LM756200	1	8197
	Spare sheaths for '55' urinal	LM756212	6	3717
	Stoke Mandeville Pattern			
	Male urinal			
	20mm sheath	LM754001	1	8323
	24mm sheath	LM754002	1	8323
	25mm sheath	LM754003	1	8323
	28mm sheath	LM754004	1	8323
	32mm sheath	LM754005	1	8323
	35mm sheath	LM754006	1	8323
	38mm sheath	LM754007	1	8323
	42mm sheath	LM754008	1	8323
	45mm sheath	LM754009	1	8323
	48mm sheath	LM754010	1	8323
	51mm sheath	LM754011	1	8323
	54mm sheath	LM754012	1	8323
	57mm sheath	LM754013	1	8323
	60mm sheath	LM754014	1	8323
	63mm sheath	LM754015	1	8323
	Spare sheaths on request		1	703
	Sahara one-piece top PP urinal			
	with small rubber collection bag			
	Paed	LM755109	1	7934
	with 5 small plastic collection bags			
	Paed	LM755110	1	7934
	with standard collection bag and connection tube			
	Standard	LM755120	1	7934
	with long collection bag and connection tube			

INCONTINENCE APPLIANCES

URINAL SYSTEMS

Manufacturer	Appliance	Order No.	Quantity	List Price p
	Standard	LM755130	1	7934
Rüsch UK	with five medium collection bags and connection tube			
	Standard	LM755140	1	7934
	with standard rubber bag and connection tube			
	Large	LM755150	1	7934
	with long rubber bag and connection tube			
	Large	LM755160	1	7934
	with five medium plastic bags and connection tube			
	Large	LM755170	1	7934
	Peoplecare PP Male urinal:			
	PP flange 25mm child			
	Sheath size			
	13mm	LM844113	1	2576
	16mm	LM844116	1	2576
	19mm	LM844119	1	2576
	PP flange 29mm child			
	Sheath size			
	22mm	LM845122	1	2576
	25mm	LM845125	1	2576
	PP flange 32mm child			
	Sheath size			
	19mm	LM845219	1	2576
	22mm	LM845222	1	2576
	25mm	LM845225	1	2532
	PP flange 38mm adult			
	Sheath size			
	19mm	LM846319	1	2576
	22mm	LM846322	1	2576
	25mm	LM846325	1	2576
	29mm	LM846329	1	2576
	32mm	LM846332	1	2576
	PP flange 44mm adult			
	Sheath size			
	35mm	LM847435	1	2576
	38mm	LM847438	1	2576
	41mm	LM847441	1	2576
	PP Standard bag			
	Meduim	LM881002	1	1330
	Large	LM881003	1	1648
	PP Curved Top			
	Small	LM874101	1	1003
	Meduim	LM874102	1	1003
	Large	LM874103	1	1003
	PP Straight Top			
	Small	LM875211	1	1003
	Meduim	LM875212	1	1003
	Large	LM875213	1	1003
	Ex-large	LM875214	1	1003
	Transverse rubber bag with tap for above urinal	LM881001	1	2723
	Double based PP Flange for above urinal	LM846350	1	2576

IXB

INCONTINENCE APPLIANCES

URINAL SYSTEMS

Manufacturer	Appliance	Order No.	Quantity	List Price p
	Rubber pubic flange, adult, for above urinal	LM854229	1	2970

Manufacturer	Appliance	Order No.	Quantity	List Price p
Salts Healthcare	Male PP urinal			
	- rubber bag	ZL0001	1	5726 △
	- plastic bag (4)	ZL0001	1	5726 △
	Spare parts for above urinal			
	25mm flange			
	18mm sheath	ZL0053	1	2722 △
	32mm flange			
	25mm sheath	ZL0059	1	2722 △
	38mm flange			
	18mm sheath	ZL0060	1	2722 △
	22mm sheath	ZL0061	1	2722 △
	25mm sheath	ZL0062	1	2722 △
	29mm sheath	ZL0063	1	2722 △
	32mm sheath	ZL0064	1	2722 △
	44mm flange			
	35mm sheath	ZL0065	1	2722 △
	38mm sheath	ZL0066	1	2722 △
	Cone - small straight	ZL0100	1	1212 △
	Cone - small curved	ZL0101	1	1212 △
	Cone - medium straight	ZL0102	1	1212 △
	Cone - medium curved	ZL0103	1	1212 △
	Cone - large curved	ZL0105	1	1212 △
	Cone - ex-large straight	ZL0106	1	1212 △
	Pubic Pressure Flange Belt	ZL0034	1	2391 △
	- plastic bags			
	adult	ZL0152	4	1332 △
	- rubber bag			
adult	ZL0155	1	1332 △	
child	ZL0154	1	1332 △	
transverse	ZL0153	1	1332 △	
- belt	ZL0010	1	405 △	

Manufacturer	Appliance	Order No.	Quantity	List Price p
Ward Surgical Appliance Co	Jockey Male Urinal	WM27	1	7314
	Varsity Male Urinal	WM14	1	5646
	Day use, covered bag complete with belt suspensory and thigh strap	Fig 4	1	4671
	Male urinal Day and Night use covered bag air vent, belt suspensory	Fig 4A	1	4834
	Male urinal Day and Night use with short bag and belt	Fig 104	1	5004

INCONTINENCE APPLIANCES

URINAL SYSTEMS

Manufacturer	Appliance	Order No.	Quantity	List Price p
	As above with covered bag	Fig 104a	1	5424
	As above with double chamber bag	Fig 104b	1	5638
Ward Surgical Appliance Co	Male urinal Day and night use with long bag and belt	Fig 105	1	5004
	Paraplegic male urinal	Fig 110	1	6839
	Stoke Mandeville Pattern	WM18	1	6571
	Stoke Mandeville removeable rubber sheath, double chamber rubber bag, thigh strap and belt	WM18a	1	5902
	Male PP urinal rubber bag	WM19	1	6123
	Stoke Mandeville spare sheaths - rubber	WM20	1	609
	Male PP urinal plastic bag (4)	WM21	1	5425
	Replacement for above			
	PP flange	WM22	1	2809
	PP cone	WM23	1	1110
	Rubber bag	WM24	1	1521
	Plastic bag	WM26	1	304
	Day use, covered bag complete with belt	Fig 2	1	4446
	Night use, covered bag complete with belt suspensory and thigh strap	Fig 5	1	5874
	Day and night use, covered bags, air vent complete with belt, suspensory and thigh strap	Fig 5a	1	5874
	Day and night use, long tube rubber bag with air vent, complete with belt and thigh strap	Fig 6	1	5333
	Male dribbling bag and tapes	Fig 9	1	2170
	Day and night use, short covered bag	Fig 101	1	5004
	Day and night use, short bag & belt	Fig 106	1	5004
	Male urinal - sheath and disc type with long rubber belt	WM53	1	5457
	Male urinal - sheath and suspensory with short covered bag	WM56	1	5457
	Male urinal - sheath and suspensory with long covered bag	WM57	1	5457
	Night urinal with long tube	WM59	1	2637
	Stoke Mandeville sheath type urinal, with 30 rubber film sheaths, rubber bag and thigh strap and belt	WM49	1	5224
	Webbing Belt	WM102	10	924
	Elastic leg strap	WM103	1	528
	Net Suspensory	WM104	1	1215
	Spare rubber bag with vent	WM105	1	2639
	Spare Receiver	WM106	1	3800



INCONTINENCE APPLIANCES

**MANUFACTURERS' ADDRESSES AND TELEPHONE NUMBERS
(INCONTINENCE APPLIANCES)**

A1 Pharmaceuticals PLC, Unit 3 and 4 Bessemer Park, 250 Milkwood Road, Herne Hill, London SE24 0HG
(0207 7387373)

Astra Tech Ltd, Stroud Water Business Park, Brunel Way, Stonehouse, Gloucester GL10 35W (01453 791763)

B. Braun Medical Ltd, Thornccliffe Park, Sheffield, S35 2PW (0114 225 9000)

Bard Ltd, Forest House, Brighton Road, Crawley, West Sussex RH11 9BP (01293 527888)

Beambridge Medical, 46 Merrow Lane, Burpham, Guildford, Surrey GU4 7LQ (01483 827696/01483 571928)

Bio Diagnostics, Upton Industrial Estate, Rectory Road, Upton-upon-Severn, Worcestershire WR8 0LX
(01684 592262)

C S Bullen Ltd, 3-7 Moss Street, Liverpool L6 1EY (0151 2076995/6/7/8)

Camp Ltd, Northgate House, Staple Gardens, Winchester, Hampshire SO23 8ST (01962 855248)

CliniMed Ltd, Cavell House, Knaves Beech Way, Loudwater, High Wycombe, Bucks, HP10 9QY
(01628 850100)

Coloplast Ltd, Peterborough Business Park, Peterborough PE2 6FX (01733 392000)

ConvaTec Ltd, Unit 20, First Avenue, Deeside Industrial Park, Deeside, Clywd CH5 2NU (01244 586244)

Dow Corning Ltd, Kings Court, 185 Kings Road, Reading, Berkshire RG1 4EX (01734 596888)

Ellis, Son & Paramore Ltd, Spring Street Works, Sheffield S3 8PD (0114 2738921/221269)

Flexicare Medical Ltd, Cynon Valley Business Park, Mountain Ash, Mid-Glamorgan, CF45 4ER (01443 474647)

Fry Surgical International Ltd, Unit 17, Goldsworth Park Trading Estate, Woking, Surrey, GU21 3BA
(01483 721404)

Genesis Medical Ltd, Linton House, 39-51 Highgate Road, London, NW5 1RT (0207 2842824)

Hollister Ltd, Rectory Court, 42 Broad Street, Wokingham, Berkshire, RG40 1AB (0118 989 5000)
(Retail Pharmacy Order Line 0800 521392)

Hospital Management & Supplies Ltd, Salthouse Road, Brackmills, Northampton NN4 0U4 (01604 704600)

Hunter Urology Ltd, 1 The Stable Yard, Woodhayes, Honiton, Devon EX14 4TP (01404 44088)

Jade-Euro-Med Ltd, Unit 14, East Hanningfield Industrial Estate, Old Church Road, East Hanningfield,
Chelmsford, Essex, CM3 8BG (01245 400413)

JBOL Ltd, 1 Folley Bridge, Oxford, OX1 4LB (01865 240572)

JLJ Healthcare Ltd, Number One 61 Whitehall Road, Halesowen, West Midlands, B63 3JS (0121 6023943)

L.IN.C Medical Systems Ltd, Loddington House, Main Street, Loddington, Leicestershire, LE7 9XE
(01572 717515)

LRC Products Ltd, North Circular Road, London E4 8QA (0208 5272377)

Malvern Medical Developments Ltd, Unit 10, Northbrook Close, Worcester, WR3 8BP (01905 731343)

Manfred Sauer GmbH: (UK Branch), Unit 3 io Centre, Lodge Farm, Northampton NN5 7UW (0870 1904100)

Medasil (Surgical) Ltd, Medasil House, Hunslet Road, Leeds LS10 1AU (0113 2433491)

INCONTINENCE APPLIANCES

Mentor Medical Ltd, Building 10, Commerce Way, Lancing, West Sussex BN15 8TJ (01903 761122)

Neomedic Ltd, 112-114 Hallowell Road, Northwood, Middlesex HA6 1DU (01923 836379)

North West Medical Supplies Ltd, Premier House, Southgate Way, Orton Southgate, Peterborough, PE2 6YG
(01733 361336)

S G & P Payne, Percy House, Brook Street, Hyde, Cheshire SK14 2NS (0161 3678561)

Pennine Healthcare Ltd, City Gate, London Road, Derby DE24 8WY (01332 794880)

Porges Ltd, 1 Onslow Street, Guildford, Surrey, GU1 4YS (01483 554120)

ProSys International Ltd: distributed by Clinisupplies Ltd, Unit 9 Crystal Way, Elmgrove Road, Harrow, Middlesex, HA1 2HP (0208 8634168)

Rand Rocket Ltd, ABCare House, Walsworth Road, Hitchin, Herts SG4 9SX (01462 58871)

Rochester Medical Corporation: distributed by Jade Euro-Med Ltd

Rüsch UK, Stirling Road, Cressex Business Park, High Wycombe, Bucks HP12 3ST (01494 532761)

Salts Healthcare, Saltair House, Lord Street, Birmingham B7 4DS (0121 3595123)

Shiloh Healthcare Ltd: Lion Mill, Fitton Street, Royton, Oldham, OL2 5JX (0161 624 5641)

The Kendall Company (UK) Ltd: 154 Fareham Road, Gosport, Hampshire, PO13 0AS (01329 224280)

Universal Hospital Supplies, 313 Chase Road, London N14 6JA (0208 9206207)

Unomedical Ltd, Thornhill Road, North Moons Moat, Redditch, Worcestershire B98 9NL (01527 64222)

Ward Surgical Appliance Company Ltd, 57A Brightwell Avenue, Westcliffe-on-Sea, Essex, SS0 9EB
(01702 354064)

Yushin Medical, LINC Medical Systems, Loddington House, Main Street, Loddington, Leicestershire, LE7 9XE

IXB

INCONTINENCE APPLIANCES

This Page is Intentionally Blank

STOMA APPLIANCES

**STOMA APPLIANCES
(Colostomy, Ileostomy, Urostomy)**

1. Prescribers and suppliers should note that products not included in the list are not prescribable (See Part I Clause 2).
2. Where the information is available, the "**Reference Capacity**" of a stoma bag will be given. This is intended to give a guide of comparison between different bag sizes, but *should not be taken to indicate actual usable capacity*. "Reference Capacity" shall be measured according to BS 7127:Part 101:1991, Appendix M, with the level of water set at the lower edge of the opening of wafer or flange.
3. Only basic information has been provided and prescribers may on occasions wish to seek further information about certain products eg when assessing a patient for the first time. If so this is always available from the manufacturers (addresses and telephone numbers are given at the end of the entry). Information may also be sought from stoma nurses and community pharmacists.
4. Where the prescriber has not specified the type of appliance or part thereof or accessory, the pharmacy or appliance contractor must endorse the prescription form stating the type supplied and submit the invoice if requested by the Prescription Pricing Authority.

List of components and accessories

	<u>Page</u>
Adhesive Discs/Rings/Pads/Plasters	218
Adhesives (Pastes, sprays, solutions)	220
Adhesive Removers (Sprays, Liquids, Wipes)	221
Bag Closures	222
Bag Covers	223
Belts	225
Colostomy Bags - see also Two Piece Ostomy Systems	233
Colostomy Sets	269
Deodorants	270
Discharge Solidifying Agents	271
Filters/Bridges	272
Flanges	273
Ileostomy (Drainable) Bags - see also Two Piece Ostomy Systems	277
Ileostomy Sets	322
Irrigation/Wash-Out Appliances	323
Pressure Plates/Shield	324
Skin Fillers and Protectives (Barrier creams, pastes, aerosols, lotions, gels, wipes)	327
Skin Protectors (Wafers, blankets, foam pads, washers)	329
Stoma Caps/Dressings	333
Tubing	335
Two Piece Ostomy Systems	336
Urostomy Bags - see also Two Piece Ostomy Systems	369
Urostomy Sets	382

IXC

Manufacturers' Addresses and Telephone Numbers
383

STOMA APPLIANCES**ADHESIVE DISCS/RINGS/PADS/PLASTERS**

Manufacturer	Appliance	Order No.	Quantity	List Price p
For a list of adhesive tapes prescribable under Drug Tariff see Part IXA				
C S Bullen Ltd	Double-sided Adhesive Plaster Zinc Oxide			
	89mm x 89mm	UF 33	10	426
	102mm x 102mm	UF 34	10	526
	127mm x 127mm	UF 35	10	888
	Double Sided Adhesive Plastic Acrylic Base			
	89mm x 89mm	UF 62	10	382
	102mm x 102mm	UF 63	10	491
	127mm x 127mm	UF 64	10	826
	Flange Retention Strips			
	102mm x 25mm	UF 440	100	381
	102mm x 51mm	UF 441	100	516
CliniMed Ltd Essentials Accessories	HydroFrame Flange Extenders	WAF H33	20 (strips)	1242
Mentor Medical Ltd	Chiron Clearseal Plasters			
	100mm square -			
	19mm opening	WJ050-19-K	10	782
	35mm opening	WJ050-34-F	10	782
	Kidney Seals - Adhesive Flange Retaining Strips			
	Small	WJ250-51-T	10	531
	Large	WJ250-75-J	10	531
	Double Sided - Adhesive Discs			
	76mm diam -			
	19mm opening	WJ002-19-R	10	501
	25mm opening	WJ002-25-L	10	501
	90mm diam -			
	32mm opening	WJ005-32-V	10	501
	38mm opening	WJ005-38-J	10	501
	Chiron Double-Sided Plasters			
	90mm square -			
	19mm opening	WJ010-19-N	10	680
	35mm opening	WJ010-35-L	10	680
	102mm square -			
	19mm opening	WJ011-19-S	10	782
	35mm opening	WJ011-35-Q	10	782
	127mm square -			
	19mm opening	WJ012-19-W	10	862
	35mm opening	WJ012-35-U	10	862
	150mm square -			
	19mm opening	WJ013-19-B	10	963
	102mm x 76mm -			
	19mm opening	WJ014-19-F	10	963
	102mm square -			
	25mm opening	WJ016-25-J	10	963
	125mm square -			
	25mm opening	WJ018-01-C	10	1056

STOMA APPLIANCES**ADHESIVE DISCS/RINGS/PADS/PLASTERS**

Manufacturer	Appliance	Order No.	Quantity	List Price p
Mentor Medical Ltd	Elastic Rings for use with spout bags	WD600-12-E	3	247
	Carshalton Plasters Acrylic			
	25mm	48-530-40	10	533
	32mm	48-530-59	10	533
	38mm	48-530-67	10	533
	Carshalton Plasters Foam Ring			
	25mm	48-538-49	10	844
	32mm	48-538-57	10	844
	38mm	48-538-65	10	844
OstoMart Ltd	Ostofix Flange Security Tape			
	2.5cm x 10cm	DGW1	100	389
	5cm x 10cm	DGW2	100	674
Salts Healthcare	Transacryl Double Sided Plaster			
	25mm	833018	10	634 △
	32mm	833019	10	634 △
	38mm	833020	10	634 △
	Reliaseal Double-sided hypo-allergic adhesive disc			
	13mm round	906009	10	1925 △
	19mm round	906011	10	1925 △
	+ 22mm round	906012	10	1925 △
	25mm round	906013	10	1925 △
	+ 29mm round	906014	10	1925 △
	32mm round	906015	10	1925 △
	38mm round	906016	10	1925 △
+ to be deleted 1 March 2005				
T J Shannon Ltd	Easychange spare plasters with rings		5	655
	Rubber retaining ring	TJS 948h	5	662
	Double sided plasters	TJS 948a	25	1656
A H Shaw & Partners Ltd	Double Side plasters			
	128mm x 128mm hole cut to size	NSI 46	10	864
	102mm x 102mm hole cut to size	NSI 49	10	833
Ward Surgical Appliance Co	Double-Sided Plasters with opening	WM17	10	450
	Single-Sided Waterproof Plaster Strips			
	100mm x 25mm	WM17a	10	123
	100mm x 50mm	WM17b	10	185
Welland Medical Ltd	See CliniMed Ltd Essentials Accessories			

IXC

STOMA APPLIANCES

ADHESIVE PASTES, SPRAYS, SOLUTIONS

Manufacturer	Appliance	Order No.	Quantity	List Price p
Hollister Ltd	Medical Adhesive Aerosol	7730	90g	1578
Manfred Sauer GmbH	* Original Skin Latex Adhesive in a 28g tube with a long pipette/nozzle applicator.	50.01	2	852
	* Pure Latex Skin Adhesive without any skin care components giving a stronger bond, in a 28g tube with a long pipette/nozzle applicator.	50.00	2	838
	* Lanolin Free Latex Skin Adhesive for people allergic to lanolin, in a 28g tube with a long pipette/nozzle applicator.	50.03	2	838
	* 50% reduction in skin care components, in a 28g tube with a long pipette/nozzle applicator.	50.05	2	838
	* 2% Resin giving a stronger bond than the original adhesive 50.01, in a 28g tube with a long pipette/nozzle applicator. Should only be tried after 50.01 is found to be too weak.	50.20	2	838
	* 12% Resin giving a stronger bond than the 2% resin adhesive 50.20, in a 28g tube with a long pipette/nozzle applicator. Should only be tried after 50.20 is found to be too weak.	50.22	2	838
	* Synthetic Skin Adhesive in a 28g tube with a long pipette/nozzle applicator.	50.36-2	2	1496
	* Synthetic Skin Adhesive in a 45ml bottle with brush in the lid	50.36	1	1496
Salts Healthcare	Latex Adhesive Solution	833005	28ml	222 △

* Safe for direct application on the skin

STOMA APPLIANCES**ADHESIVE REMOVERS (SPRAYS, LIQUIDS, WIPES)**

Manufacturer	Appliance	Order No.	Quantity	List Price p
AlphaMed Ltd - see Opus Healthcare Ltd				
CliniMed Ltd Essentials Accessories	Appeel No Sting Medical Adhesive Remover	3505	30 wipes	1442
	Clear Peel Adhesive Remover	3500 3910	50ml aerosol 50ml	870 306
Hollister Ltd	Adhesive Remover	7731	76g	1345
	Universal Remover Wipes	7760	50	1262
Opus Healthcare Ltd (formerly AlphaMed Ltd)	Lift medical Adhesive Remover	5500	30 sachets	853
		5501	100ml bottle	591
OstoMart Ltd	OstoCLEAR	MRW1	30 sachets	840
		MRW2	100ml bottle	920
Pelican Healthcare	Citrus Fresh Adhesive Remover	133000	30 sachets	853
		133002	100ml	580
Salts Healthcare	Wipe Away Adhesive Remover	WA1	30 sachets	850 △

IXC

STOMA APPLIANCES

BAG CLOSURES
(Available separately from the bags)

Manufacturer	Appliance	Order No.	Quantity	List Price p
B. Braun Medical	Biotrol Closure Clamps (Post-op Bags)	F00728A	1	110
C S Bullen	Plastic Bag Clamp	400	10	650
Clinimed Ltd Essentials Accessories	Closure Clamps (Drainable Bags)	3750	1	117
CliniMed Ltd	Soft-end Ties White	9760	30	284
Coloplast Ltd	Coloplast Clamp	9503	20	1994
ConvaTec Ltd	Clips (Beige) (1-pce pouch)	S207	10	320
	Soft Wire Ties	S205	50	553
	Curved Clip for Drainable Pouches	S202	10	566
Dansac Ltd	Opaque Soft Wire Ties	095-01	50	562
	Opaque Longer Soft Wire Ties	095-02	50	644
Hollister Ltd	Premium Bag Clamp	7770	1 20	120 2036
Mentor Medical Ltd	Carshalton Clamp	48-540-12	5	1086
	Closure Clips for Odourproof Bags	WN110-01-E	10	722
	Bag Clamp	32-285-17	10	934
Pelican Healthcare Ltd	Drainable Pouch Clips	130406	20	663
Salts Healthcare	Closure Clips	833044	5	210 △
	Drainable Pouch Clips	CL1	10	739 △
A H Shaw & Partners Ltd	Rubber Bag Fastening Ring	NSI 54	1	120

STOMA APPLIANCES**BAG COVERS****Note:**

These stoma bag covers can be washed and reused many times. Cloth fabric ♦ types are more durable than those made of non-woven fabric ◇. Refer to the manufacturer's instructions.

Manufacturer	Appliance	Order No.	Quantity	List Price p
C S Bullen Ltd	♦ Night Bag Cover	UF57	1	857
	♦ Day Bag Cover	UF58	1	857
Coloplast Ltd	♦ Closed MC2000/MC2002			
	White	9011	5	2516
	Flesh	9021	5	2516
	♦ Open MC2000/MC2002			
	White	9012	5	2516
	Flesh	9022	5	2516
	♦ Mini Decorated Open MC2000			
	White	9013	5	2516
	Flesh	9023	5	2516
	♦ URO 2002 4260 White	9014	5	2516
	URO 2002 4240	9015	5	2516
	URO 2002 4241	9016	5	2516
♦ ILEO B (Standard)	9003	5	2516	
Cover Care	♦ Cover Care Pouch Covers			
	Mini 32/38mm pouches	L198	3	744
	45/57mm pouches	L199	3	744
	Large Urostomy pouches	L200	3	787
	Standard Drainable pouches & urostomy pouches	L201	3	787
	Small 38/45 mm closed pouches small drainable pouches, combihesive closed pouches	L203	3	787
	Medium 57 & 70mm closed pouches	L204	3	787
Hi-Line Ltd	♦ Coversure Custom-made Covers			
	Appliance to be stated			
	White	Res C1	1	887
	Stone	Res C2	1	887
White/Lace Front	Res C3	1	887	
Impharm Nationwide Ltd	♦ Ostocovers (white or coloured)		3	698
Jade-Euro-Med Ltd	♦ Bag Cover	KM51	1	478

IXC

STOMA APPLIANCES

BAG COVERS

Manufacturer	Appliance	Order No.	Quantity	List Price p
Mentor Medical Ltd	◆ Cotton Bag Cover			
	Day Size	WN124-01-C	1	1175
	Night Size	WN125-04-N	1	1175
	◆ Cotton Cover to fit Redifit Bags			
	25mm & 32mm opening	WN103-01-M	1	838
	38mm, 44mm & 51mm opening	WN103-04-T	1	838
	64mm & 75mm opening	WN103-07-A	1	838
	◆ Cotton Stomabag Covers			
	White	32-238-84	5	2637
	Coloured	32-239-81	5	2637
◇ "Symphony" Polythene Bag Cover	32-286-06	5	488	
Pelican Healthcare Ltd	◆ + Closed Pouch Covers			
	Normal	130207	5	1200
	Casual	130206	5	1193
	+ ◆ Drainable Pouch Covers	130209	5	1240
+ to be deleted 1 March 2005				
Rüsch UK	* ◆ Ostopore Pouch Covers			
	Small	749040	5	1862
	Large	749050	5	1862
* to be deleted 1 February 2005				
Salts Healthcare	◆ Salts Cotton Bag Cover (appliance to be stated)	833029	1	412 △
	◆ Eakin Cotton Bag Covers			
	Size of opening			
	Small	839030	1	479 △
		839031	1	479 △
	* Large	839032	1	479 △
		839033	1	479 △
	839034	1	479 △	
	839035	1	479 △	
* to be deleted 1 February 2005				
A H Shaw & Partners Ltd	◆ Day Bag Cover			
	Cotton	NSI 48	1	547
	Lycra	NSI 44	1	577
	◆ Night Bag Cover			
	Cotton	NSI 47	1	577
Lycra	NSI 45	1	619	
Ward Surgical Appliance Co	◆ White Linen Cover	15	1	652

STOMA APPLIANCES**BELTS**

Manufacturer	Appliance	Order No.	Quantity	List Price p
B. Braun Medical	Almarys Twin Belt (support) 120mm for Two Piece System	31780	1	452
	Biotrol Waist Belt	F00780E	1	460
C S Bullen Ltd	Elastic Belt, 102mm deep with wire ring retainer			
	Small	UF 70	1	1472
	Medium	UF 71	1	1472
	Large	UF 72	1	1472
	38mm Elastic Belt with wire ring retainer			
	Small	UF 44	1	1035
	Medium	UF 45	1	1035
	Large	UF 46	1	1035
	25mm Elastic Belt with plastic retainer ring shield	UF 47	1	1095
	Waterproof Canvas retaining shield			
	Small	UF 48	1	1588
	Medium	UF 49	1	1588
	Large	UF 50	1	1588
	St Mark's Belt	UF551	1	4251
	Fitting windows in Stoma belt for use with ileostomy bags or colostomy cups	UF 561	1	501
	Camilla Panty Girdle	BS210	1	1962
	Cloe Roll-on Girdle	BS225	1	1635
	Constance Panty Girdle	BS200	1	2593
J. Chawner Surgical Belts Ltd	Made to Measure Colostomy Belt with hole over stoma right and or left including steels; understraps, suspenders & zip as standard			
	made in Lycra	FC1	1	3130
Coloplast Ltd	Ileo Belt	0402	1	863
	K Flex Belt	0420	1	659
	Assura Seal Belt	0421	1	636
	Corsinel Made to measure support garments			
	Female	160010-160800	1	7700
	Male	170010-170400	1	7700
ConvaTec Ltd	System 2 Belt	S210	1	320

IXC

STOMA APPLIANCES

BELTS

Manufacturer	Appliance	Order No.	Quantity	List Price p
CoverCare	Male Support Belt			
	Waist Size:			
	Small 65-75cm	L100	1	2849
	Medium 77.5-87.5cm	L101	1	2849
	Large 90-100cm	L102	1	2849
	Ex- Large 102.5-112.5cm	L103	1	2849
	Provision for hole aperture	HOLE	1	546
	(Patients who require a hole in belt should ensure belt fits correctly and with it on, ask stoma care nurse to mark central position of stoma with a cross (X); and return belt to supplier with sample of pouch used so that hole in belt can be customised to fit individual requirements).			
Dansac Ltd	Dansac Belt & Plate Pack			
	1 adjustable elasticated belt with 5 plates suitable for one and two piece appliances			
	50-63mm	09075-0000	1	4018
	Dansac Belt Pack			
	5 adjustable elasticated belts			
	50-63mm	09000-0000	5	4018
Dansac Ltd	Dansac Long Ostomy Belt			
	White 150cm	090-01	1	715
	Beige 100cm	090-02	1	715
	Beige 150cm	090-03	1	715
Hi-Line Ltd	Breathable Stretch Unisex Ostomy Belt 21cm deep.			
	Sizes Small, Medium, Large, X Large, XX Large and XXX Large.			
	With hole over stoma if required	Res 6	1	2900
	Breathable Stretch Unisex Ostomy Belt 13.5cm deep			
	Sizes Small, Medium, Large, X Large, XX Large and XXX Large.			
	With hole over stoma if required	Res 6b	1	2350
	Lightweight Support Belt 13cm wide.			
	Small, Medium, Large, X Large, XX Large, XXX Large Hook & Eye or Velcro Fastening			
	With hole over stoma	Res 3	1	2636
	Lightweight Support Belt (long) 21cm wide			
	Small, Medium, Large, X Large, XX Large, XXX Large Hook & Eye or Velcro Fastening			
	With hole over stoma	Res 4	1	3058
	Ladies Ostomy belt including hole over stoma optional detachable suspenders*			
*please indicate on order if required	Res 5	1	3648	
Medium control Ostomy Girdle/Pantie Brief including hole over stoma				
With suspenders as required	Res 2	1	4111	
Ostomy Girdle/Pantie Brief including hole over stoma				
With suspenders as required	Res 1	1	4183	
Seamless Two Way Stretch Unisex Colostomy Belt 26cm Deep				
Small, Medium, Large, X Large, XX Large	Res 7	1	2176	
Seamless Two Way Stretch Unisex Colostomy Belt 27cm and above				
Small, Medium, Large, X Large, XX Large	Res 8	1	2436	

STOMA APPLIANCES

BELTS

Manufacturer	Appliance	Order No.	Quantity	List Price p
Hollister Ltd	Adjustable Ostomy Belt			
	Medium	7100	1	755
			10	6278
	Large	7099	1	755
			10	6278
Jade-Euro-Med Ltd	Belt/double cotton face piece for St. Marks flange.			
	STATE HOLE SIZE	KM 22	1	1610
	Belt/double cotton face piece with elastic fixing for St. Marks flange.			
	STATE HOLE SIZE	KM 23	1	2101
	Belt/double cotton face piece with tapes fixing for St. Marks flange.			
	STATE HOLE SIZE	KM 24	1	2124
	St Mark's Pattern Col. Belt			
	Male	KM 30	1	6156
	Female	KM 31	1	6156
	St Mark's Coutil Ostomy Belt	KM 32	1	4212
	Ostomy Web and Elastic Belt with Button & Buckle			
Fastening 25mm	KM 25	1	893	
Fastening 51mm	KM 26	1	1058	
Fastening 76mm	KM 27	1	1219	
Ostomy Girdle and Panti Brief, Hole over Stoma with Suspenders & under-strap	KM 21	1	5214	
Marlen USA	Adjustable Elastic Waist Belt	5004	1	270

IXC

Manufacturer	Appliance	Order No.	Quantity	List Price p
Mentor Medical Ltd	Web & Elastic Belt			
	25mm wide			
	Small	WL002-25-01-S	1	1145
	Medium	WL002-25-02-U	1	1145
	Large	WL002-25-03-W	1	1145
	51mm wide			
	Lengths:			
	81cm	WL002-51-32-D	1	1335
	86cm	WL002-51-34-H	1	1335
	91cm	WL002-51-36-M	1	1335
	97cm	WL002-51-38-R	1	1335
	102cm	WL002-51-40-C	1	1335
	107cm	WL002-51-42-G	1	1335
	112cm	WL002-51-44-L	1	1335
	75mm wide			
	Lengths:			
	81cm	WL002-75-32-G	1	1495
	91cm	WL002-75-36-Q	1	1495
	97cm	WL002-75-38-U	1	1495
	Short Web End and Buckle	WL005-25-P	1	773

STOMA APPLIANCES

BELTS

Manufacturer	Appliance	Order No.	Quantity	List Price p
Mentor Medical Ltd	Web & Elastic Belt (25mm wide)			
	61cm	WL008-25-24-U	1	1208
	71cm	WL008-25-28-D	1	1208
	76cm	WL008-25-30-P	1	1208
	81cm	WL008-25-32-T	1	1208
	91cm	WL008-25-36-C	1	1208
	Narrow Belt			
	Flange diam (38mm)			
	91cm	WL111-38-36-R	1	2381
	97cm	WL111-38-38-V	1	2381
	102cm	WL111-38-40-G	1	2381
	Redifit Adjustable Belt			
	Small	WL123-01-H	1	963
	Medium	WL123-04-P	1	963
	Large	WL123-07-V	1	963
	Web & Elastic Belt Child			
	25mm wide			
	71cm	WL129-25-28-J	1	963
	38mm wide			
	56cm	WL129-38-22-P	1	1341
	61cm	WL129-38-24-T	1	1341
	66cm	WL129-38-26-X	1	1341
	71cm	WL129-38-28-C	1	1341
	76cm	WL129-38-30-N	1	1341
	81cm	WL129-38-32-S	1	1341
	91cm	WL129-38-36-B	1	1341
	97cm	WL129-38-38-F	1	1341
	Elastic Non-Slip Belt			
	81cm	WL132-25-32-L	1	1341
	86cm	WL132-25-34-Q	1	1341
	91cm	WL132-25-36-U	1	1341
	97cm	WL132-25-38-Y	1	1341
	102cm	WL132-25-40-K	1	1341
	112cm	WL132-25-44-T	1	1341
	Non-slip belt			
	61cm	WL133-01-24-Q	1	1963
	76cm	WL133-01-30-K	1	1963
	81cm	WL133-01-32-P	1	1963
	86cm	WL133-01-34-T	1	1963
	91cm	WL133-01-36-X	1	1963
	97cm	WL133-01-38-C	1	1963
	102cm	WL133-01-40-N	1	1963
	† Rubber 'Tubular' Belt	WL138	1	2500
	Night Belt Two Way Stretch			
	Small	WL236-01-H	1	2684
	Medium	WL236-04-P	1	2684
	Large	WL236-07-V	1	2684
	Extra Large	WL236-09-A	1	2684

† to be deleted 1 April 2005

STOMA APPLIANCES**BELTS**

Manufacturer	Appliance	Order No.	Quantity	List Price p
Mentor Medical Ltd	Carshalton Belt			
	Small	48-522-14	1	1015
	Medium	48-522-22	1	1015
	Large	48-524-19	1	1015
	Stoma Belt			
	Small - 43cm - 66cm	32-247-83	1	636
	Medium - 66cm x 109cm	32-248-80	1	625
Oakmed Ltd	Made to Measure Ostomy Belt	B100	1	7400
	Made to Measure Pantie Girdle	P200	1	4800
	Made to Measure Ostomy Girdle	G300	1	4800
Omex Medical Ltd	Schacht Belt 91.5cm	780251	1	536
Orthotic Services Ltd	Made to Measure Ostomy Girdle in white - hole or panel over stoma as required; zips and suspenders as standard	OSL-012	1	3195
	(A measuring chart is available on application)			
OstoMart Ltd	Ostoshield (belt required)	Res50	1	654
	Ostoshield Belt Small/Medium only for use with Res 50 - Ostoshield	Res40	1	337
	Ostoshield Belt Large/Extra Large Only for use with Res 50 - Ostoshield	Res45	1	337
J C Peacock & Son Ltd	St Marks Pattern Belt	Peak 1	1	3815
Pelican Healthcare Ltd	Pelican Adjustable Ostomy Belt	133006	1	700

IXC

STOMA APPLIANCES

BELTS

Manufacturer	Appliance	Order No.	Quantity	List Price p
Rüsch UK	Birkbeck Elastic Waistband & Shield			
	19mm	LM725219	5	4860
	38mm	LM725238	5	4860
	54mm	LM725254	5	4860
	Birkbeck Retaining ring - for use with above			
	19mm	LM725319	5	921
	38mm	LM725338	5	921
	54mm	LM725354	5	921
	Birkbeck Elastic Waist band	LM725100	5	3694
	✱ Ostopore Belt			
	Narrow Width Waist			
	43cm x 86cm	749020	1	594
	71cm x 142cm	749030	1	594
✱ to be deleted 1 February 2005				
	White Rubber Belting			
	28mm wide	LM810063	per metre	404
	72mm wide	LM811001	per metre	834
	White Sausage Belt	LM810004	per metre	831
E Sallis Ltd	Colostomy Belt for			
	Night use	14b	1	1157
		14c	1	604
	Day use	15a	1	3187
	Ostomy Girdle/Pantie Brief including hole over stoma, with suspenders as required			
	Made in elastane	Fit 15c	1	4038
	St Mark's Hospital Pattern Colostomy Shield	17	1	1059
Manufacturer	Appliance	Order No.	Quantity	List Price p
Salts Healthcare	Standard Adjustable Ostomy Belt			
	Beige 100cm	ABO1	1	723 △
	Eakin Stoma Support Belt with IsoFlex			
	20cm depth			
	Small (75-90cm)	839051	1	4580 △
	Medium (90-105cm)	839052	1	4580 △
	Large (105-120cm)	839053	1	4580 △
	X Large (120-135cm)	839054	1	4580 △
	26cm depth			
	Small (75-90cm)	839061	1	5089 △
Medium (90-105cm)	839062	1	5089 △	
Large (105-120cm)	839063	1	5089 △	
X Large (120-135cm)	839064	1	5089 △	

STOMA APPLIANCES**BELTS**

Manufacturer	Appliance	Order No.	Quantity	List Price p
Salts Healthcare	25mm Single Elastic Belt with 2 loops:			
	Standard 89cm long	877002	1	381 △
	Ex-large 107cm long	877024	1	381 △
	25mm Single Elastic Belt with suspender ends	877007	1	447 △
	102mm Elastic Belt with waterproof panel	877008	1	1565 △
	With 4 loops & retaining ring	877009	1	2057 △
	Saltair Ileostomy Girdle	877010	1	5006 △
	25mm Button Belt	877011	1	381 △
	Button & Loop Belt	877012	1	381 △
	Baby Lycra Belt With Velcro Fastening			
	Standard 89cm long	877022	1	388 △
	Ex-large 107cm long	877023	1	388 △
	150mm Elastic Belt with Waterproof Panel	877017	1	1905 △
	Colostomy Belt	877018	1	7836 △
	Eakin Elasticated Belt			
Small	839029	1	377 △	
Large	839036	1	377 △	
SASH	Made to Measure 50mm polyester webbing Stoma Hernia Support Belt attached to plastic flange with hole over stoma			
		S1	1	3416
	(Patients are required to complete an Order Form obtainable from Stoma Care Nurses or SASH (Address: Woodhouse, Woodside Road, Hockley, Essex, SS5 4RU Tel 01702 206 502) detailing waist size and enclosing a sample of pouch used so that the hole within the belt flange can be customised to fit individual requirements)			
T J Shannon Ltd	Elastic Belt (with button & buckle fastening)	TJS 962d	1	494

IXC

STOMA APPLIANCES

BELTS

Manufacturer	Appliance	Order No.	Quantity	List Price p
A H Shaw & Partners Ltd	Colostomy Belt 102mm wide elastic web made to measure	NSI 10	1	1564
	102mm Ostomy Belt			
	With groin strap	NSI 10A	1	1789
	With lace fastenings	NSI 11	1	1901
	With wire spring	NSI 12	1	1751
	Double zip panel	NSI 36	1	907
	Colostomy Belt 152mm wide made to measure			
	With under-strap	NSI 13	1	2096
	With lace fastenings	NSI 14	1	2834
	Colostomy Belt 205mm wide made to measure			
	With under-strap	NSI 15	1	3008
	With lace fastenings	NSI 16	1	3591
	255mm Belt made to measure	NSI 17	1	3415
	With zip panel	NSI 18	1	4310
	306mm Belt made to measure	NSI 19	1	3753
	With zip panel	NSI 20	1	4572
	357mm Belt made to measure	NSI 21	1	3828
	With zip panel	NSI 22	1	4785
	Colostomy/Ileostomy Adjustable Belt			
	25mm wide	NSI 23	1	907
	102mm wide 3 sections	NSI 24	1	2295
	154mm wide 3 sections	NSI 25	1	2893
Colostomy Night Belt in net or rayon, no hole, for use with dressing pad	NSI 32	1	1670	
Ward Surgical Appliance Co	Day Colostomy Belt made to measure			
	All sizes	23	1	4116
	Night Colostomy Belt, made to measure, in White cellular material			
	All sizes	24	1	3030
	Nylon Elastic Colostomy belt hook & eye fastening, complete with 2 pairs suspenders or under-straps			
	All sizes	25	1	4252
	Gabriel type Colostomy belt with 2 pairs suspenders or under-straps			
	All sizes	26	1	4805
	Wide second stage rubberised ileostomy belt with 2 straps, and buttonholed ends for use with ileostomy boxes, or with celluloid hook ends for use with ileostomy bags	19	1	2415
	As above - with under-straps or suspenders	20	1	2715
	Fitting "windows" in belt for use with ileostomy bags or colostomy cups, or 4 stitched holes for studs of colostomy cups or shields	35	1	438
	Web and Elastic Belt with button and buckle fastening			
	25mm wide	WM 25	1	783
51mm wide	WM 51	1	1010	
76mm wide	WM 75	1	1147	
Hookend Elastic Belt	WM 86	1	1093	

STOMA APPLIANCES

COLOSTOMY BAGS

Manufacturer	Appliance	Order No.	Quantity	List Price p
B. Braun Medical	Biotrol			
	Colo S bag with skin protector adhesive			
	White 25mm	32-525	30	7143
	30mm	32-530	30	7143
	35mm	32-535	30	7143
	40mm	32-540	30	7143
	45mm	32-545	30	7143
	50mm	32-550	30	7143
	60mm	32-560	30	7143
	Elite bag with filter, skin protector adhesive, fabric backing			
	Beige starter hole	36-810	30	7534
	25mm	36-825	30	7534
	30mm	36-830	30	7534
	35mm	36-835	30	7534
	40mm	36-840	30	7534
	45mm	36-845	30	7534
	50mm	36-850	30	7534
	60mm	36-860	30	7534
	70mm	36-870	30	7534
	Transparent starter hole	30-810	30	7095
	25mm	30-825	30	6999
	30mm	30-830	30	6999
	35mm	30-835	30	6999
	40mm	30-840	30	6999
	45mm	30-845	30	6999
	50mm	30-850	30	6999
	60mm	30-860	30	6999
	70mm	30-870	30	6999
	White starter hole	32-815	30	7534
	25mm	32-825	30	7534
	30mm	32-830	30	7534
	35mm	32-835	30	7534
	40mm	32-840	30	7534
	45mm	32-845	30	7534
	50mm	32-850	30	7534
	60mm	32-860	30	7534
	70mm	32-870	30	7534
	Elite Petite bag with filter, skin protector adhesive, fabric backing			
	Beige starter hole	37-310	30	6404
	25mm	37-325	30	6404
	30mm	37-330	30	6404
	35mm	37-335	30	6404
	40mm	37-340	30	6404
	45mm	37-345	30	6404
	Mini S size (reference capacity : 75-69ml (see Note 2, page 217)) with filter, skin protector adhesive, fabric backing			
	Beige 25mm	33-025	30	5893
	30mm	33-030	30	5893
	35mm	33-035	30	5893
	40mm	33-040	30	5893

IXC

STOMA APPLIANCES

COLOSTOMY BAGS

Manufacturer	Appliance	Order No.	Quantity	List Price p
B. Braun Medical	Biotrol			
	Integrale bag with filter & skin protector adhesive			
	White starter hole	32-415	30	7534
	25mm	32-425	30	7534
	30mm	32-430	30	7534
	35mm	32-435	30	7534
	40mm	32-440	30	7534
	45mm	32-445	30	7534
	50mm	32-450	30	7534
	60mm	32-460	30	7534
	70mm	32-470	30	7534
	Preference bag with filter, skin protector adhesive, fabric backing			
	Beige starter hole	36-615	30	7165
	25mm	36-625	30	7165
	30mm	36-630	30	7165
	35mm	36-635	30	7165
	40mm	36-640	30	7165
	45mm	36-645	30	7165
	50mm	36-650	30	7165
	60mm	36-660	30	7165
	White starter hole	32-610	30	7042
	25mm	32-625	30	7042
	30mm	32-630	30	7042
	35mm	32-635	30	7042
	40mm	32-640	30	7042
	45mm	32-645	30	7042
	50mm	32-650	30	7042
	60mm	32-660	30	7042
	Almarys bag with filter, Interface adhesive and all over soft non-woven cover			
	Transparent starter hole	76-015	30	6493
	Beige starter hole	76-115	30	6493
	25mm	76-025	30	6493
	30mm	76-030	30	6493
	35mm	76-035	30	6493
	40mm	76-040	30	6493
	45mm	76-045	30	6493
	50mm	76-050	30	6493
	60mm	76-060	30	6493
	Almarys Petite bag with filter, Interface adhesive and all over soft non-woven cover			
	Beige starter hole	79-020	30	5744
	25mm	79-025	30	5744
	30mm	79-030	30	5744
	35mm	79-035	30	5744
	40mm	79-040	30	5744

STOMA APPLIANCES

COLOSTOMY BAGS

Manufacturer	Appliance	Order No.	Quantity	List Price p
B. Braun Medical	Biotrol			
	Almays Optima Closed bag with filter and all over soft non-woven cover			
	Transparent starter hole 10mm	F018610E	30	6256
	Beige starter hole 10mm	F008610E	30	6256
	25mm	F008625E	30	6256
	30mm	F008630E	30	6256
	35mm	F008635E	30	6256
	40mm	F008640E	30	6256
	45mm	F008645E	30	6256
	50mm	F008650E	30	6256
	60mm	F008660E	30	6256
	Almays Optima Mini Closed bag with filter and all over soft non woven cover			
	Beige 20mm	F008920E	30	5535
	25mm	F008925E	30	5535
	30mm	F008930E	30	5535
	35mm	F008935E	30	5535
	40mm	F008940E	30	5535
	Almays Quiet Closed bag with filter and all over soft non-woven cover			
	Transparent starter hole 10mm	F018110E	30	6256
	Beige starter hole 10mm	F008110E	30	6256
	25mm	F008125E	30	6256
	30mm	F008130E	30	6256
	35mm	F008135E	30	6256
	40mm	F008140E	30	6256
	45mm	F008145E	30	6256
	50mm	F008150E	30	6256
	60mm	F008160E	30	6256
	Almays Preference Closed bag with filter, skin protector and microporous adhesive and all over soft non-woven cover			
	Transparent starter hole 10mm	F018310E	30	6256
	Beige starter hole 10mm	F008310E	30	6256
	25mm	F008325E	30	6256
	30mm	F008330E	30	6256
	35mm	F008335E	30	6256
	40mm	F008340E	30	6256
	45mm	F008345E	30	6256
	50mm	F008350E	30	6256
	Softima closed pouch with filter, skin protector and protective cover			
	Beige			
	Cut-to-fit 16-50mm	043016E	30	7327
	16-70mm	043070E	30	7327
	pre-cut 24mm	043024E	30	7327
	28mm	043028E	30	7327
	32mm	043032E	30	7327
	36mm	043036E	30	7327
	40mm	043040E	30	7327
	45mm	043045E	30	7327
	Transparent			
	cut-to-fit 16-50mm	043616E	30	7327
	16-70mm	043670E	30	7327
	Mini Beige			
	Cut-to-fit 16-50mm	043216E	30	7327

IXC

STOMA APPLIANCES

COLOSTOMY BAGS

Manufacturer	Appliance	Order No.	Quantity	List Price p
C S Bullen Ltd	Shelter Closed Pouch Bio dressing resin			
	Beige			
	cut-to-fit	13mm-64mm	2450/00	20 3690
	pre-cut	19mm	2450/19	20 3690
		25mm	2450/25	20 3690
		32mm	2450/32	20 3690
		38mm	2450/38	20 3690
		44mm	2450/44	20 3690
		51mm	2450/51	20 3690
		58mm	2450/58	20 3690
		64mm	2450/64	20 3690
	Clear			
	cut-to-fit	13mm-64mm	2250/00	20 3690
	pre-cut	19mm	2250/19	20 3690
		25mm	2250/25	20 3690
		32mm	2250/32	20 3690
		38mm	2250/38	20 3690
		44mm	2250/44	20 3690
		51mm	2250/51	20 3690
		58mm	2250/58	20 3690
		64mm	2250/64	20 3690
	Shelter Closed Pouch microporous adhesive			
	Beige			
	cut-to-fit	13mm-64mm	2240/00	20 2880
	pre-cut	19mm	2240/19	20 2880
		25mm	2240/25	20 2880
		32mm	2240/32	20 2880
		38mm	2240/38	20 2880
		44mm	2240/44	20 2880
		51mm	2240/51	20 2880
		58mm	2240/58	20 2880
		64mm	2240/64	20 2880
	Shelter Closed Pouch microporous adhesive, bio dressing resin			
	Clear			
	cut-to-fit	13mm-64mm	2245/00	20 3925
	pre-cut	19mm	2245/19	20 3925
25mm		2245/25	20 3925	
32mm		2245/32	20 3925	
38mm		2245/38	20 3925	
44mm		2245/44	20 3925	
51mm		2245/51	20 3925	
58mm		2245/58	20 3925	
64mm		2245/64	20 3925	

STOMA APPLIANCES

COLOSTOMY BAGS

Manufacturer	Appliance	Order No.	Quantity	List Price p
Coloplast Ltd	Assura Inspire Closed Bag with Integral Filter, Oval Adhesive and Soft Backing.			
	Midi Transparent			
	starter hole 20-65mm	12130	30	7206
	ready-cut 25mm	12134	30	7206
	30mm	12135	30	7206
	35mm	12136	30	7206
	Maxi Transparent			
	starter hole 20-75mm	12160	30	7206
	pre-cut 25mm	12164	30	7080
	30mm	12165	30	7080
	35mm	12166	30	7080
	Assura Inspire Closed Bag with Integral Filter, Oval Adhesive and Opaque Soft Cover Front and Back.			
	Midi Soft Cover			
	starter hole 20-65mm	12140	30	7206
	ready-cut 25mm	12144	30	7206
	30mm	12145	30	7206
	35mm	12146	30	7206
	40mm	12147	30	7206
	45mm	12148	30	7206
	50mm	12149	30	7206
	Maxi Soft Cover			
	starter hole 20-75mm	12170	30	7206
	pre-cut 25mm	12174	30	7080
	30mm	12175	30	7080
	35mm	12176	30	7080
	Assura Inspire Closed Bag with Integral Filter, Oval Adhesive and Soft Cover Front and Back.			
	Midi Design			
	starter hole 20-65mm	12150	30	7206
	ready-cut 25mm	12154	30	7206
	30mm	12155	30	7206
	35mm	12156	30	7206
	40mm	12157	30	7206
	45mm	12158	30	7206
	50mm	12159	30	7206
	Maxi Design			
	starter hole 20-75mm	12180	30	7206
	pre-cut 25mm	12184	30	7080
	30mm	12185	30	7080
	35mm	12186	30	7080
	Closed Bag with Integral Filter and Soft Cover front and back			
	Mini Soft Cover			
	starter hole 20-65mm	12110	30	5754
	Mini Design			
	starter hole 20-65mm	12120	30	5754
	Assura Closed Bag with Integral Filter and Soft Backing			
	Mini Opaque			
	starter hole 20mm	2421	30	5877
	ready-cut 25mm	2424	30	5877
	30mm	2425	30	5877
	35mm	2426	30	5877
	40mm	2427	30	5877

IXC

STOMA APPLIANCES

COLOSTOMY BAGS

Manufacturer	Appliance	Order No.	Quantity	List Price p
Coloplast Ltd	Assura Closed Bag with Integral Filter and Soft Backing			
	Midi Clear			
	starter hole 20mm	2471	30	7335
	ready-cut 25mm	2474	30	7335
	30mm	2475	30	7335
	35mm	2476	30	7335
	40mm	2477	30	7335
	45mm	2478	30	7335
	50mm	2479	30	7335
	Midi Opaque			
	starter hole 20mm	2461	30	7335
	ready-cut 25mm	2464	30	7335
	30mm	2465	30	7335
	35mm	2466	30	7335
	40mm	2467	30	7335
	45mm	2468	30	7335
	50mm	2469	30	7335
	Maxi Clear			
	starter hole 20mm	2481	30	7335
	ready-cut 25mm	2484	30	7335
	30mm	2485	30	7335
	35mm	2486	30	7335
	40mm	2487	30	7335
	45mm	2488	30	7335
	50mm	2489	30	7335
	Maxi Opaque			
	starter hole 20mm	2511	30	7335
	ready-cut 25mm	2514	30	7335
	30mm	2515	30	7335
	35mm	2516	30	7335
	40mm	2517	30	7335
	Maxi Clear			
	starter hole 10-70mm	2482	30	7335
	Maxi Opaque			
	starter hole 10-70mm	2512	30	7335
	Paediatric Opaque			
	starter hole 10-35mm	2120	30	6279
	Closed Bag with Integral Filter and Opaque Soft Cover front and back			
	Mini			
	starter hole 20-55mm	12420	30	5871
	Midi			
	starter hole 20-55mm	12460	30	7335
	pre-cut 25mm	12464	30	7335
	30mm	12465	30	7335
	35mm	12466	30	7335
	40mm	12467	30	7335
	45mm	12468	30	7335
	50mm	12469	30	7335
	Maxi			
	starter hole 10-70mm	12580	30	7335
	starter hole 20-55mm	12480	30	7335

STOMA APPLIANCES

COLOSTOMY BAGS

Manufacturer	Appliance	Order No.	Quantity	List Price p
Coloplast Ltd	Assura Inspire 1 Piece Closed Bags with Dual Filter			
	Midi Design - starter hole 20-65mm	14505	30	7779
	Soft cover - starter hole 20-65mm	14504	30	7779
	Maxi Design - starter hole 20-75mm	14508	30	7779
	Soft cover - starter hole 20-75mm	14507	30	7779
	Transparent - starter hole 20-75mm	14506	30	7779
	Assura Inspire Seal 1 Piece Integral Convexity Closed Bags with Integral Filter and Soft Backing			
	Important: This product with Integral convexity should only be used after prior assessment of suitability by an appropriate medical professional			
	Midi Transparent			
	starter hole 15-33mm	14092	10	2640
	15-43mm	14093	10	2640
	Maxi Transparent			
	starter hole 15-33mm	14002	10	2640
	15-43mm	14003	10	2640
	Assura Inspire Seal 1 Piece Integral Convexity Closed Bags with Integral Filter and Opaque Soft Cover Front and Back			
	Important: This product with Integral convexity should only be used after prior assessment of suitability by an appropriate medical professional			
	Midi Soft Cover			
	starter hole 15-33mm	14095	10	2640
	15-43mm	14096	10	2640
	Maxi Soft Cover			
	starter hole 15-33mm	14005	10	2640
	15-43mm	14006	10	2640
	Assura Seal Integral Convexity Closed Bags with Filter and Soft Backing			
	Important: This product with Integral Convexity should only be used after prior assessment of suitability by an appropriate medical professional			
	Midi Clear			
	21mm	12863	10	2400
	25mm	12864	10	2400
	28mm	12865	10	2400
	31mm	12866	10	2400
	35mm	12867	10	2400
	Midi Opaque			
	starter hole 15-33mm	12562	10	2400
	15-43mm	12563	10	2400
	Maxi Clear			
	21mm	12883	10	2400
	25mm	12884	10	2400
	28mm	12885	10	2400
	31mm	12886	10	2400
	35mm	12887	10	2400
	38mm	12888	10	2400
	Maxi Opaque			
	starter hole 15-33mm	12572	10	2400
	15-43mm	12573	10	2400
	Assura Inspire Soft Seal 1 piece Closed Bags with Shallow convexity			
	Important: This product with integral convexity should only be used after prior assessment of suitability by an appropriate medical professional			
	Midi Soft Cover			
	starter hole 15-33mm	14434	10	2695
	starter hole 15-43mm	14435	10	2695

IXC

STOMA APPLIANCES**COLOSTOMY BAGS**

Manufacturer	Appliance	Order No.	Quantity	List Price p
Coloplast Ltd	Assura Inspire Soft Seal 1 piece Closed Bags with Shallow convexity			
	Midi Soft Cover 21mm	14451	10	2695
	25mm	14452	10	2695
	28mm	14453	10	2695
	31mm	14454	10	2695
	Maxi Soft Cover			
	starter hole 15-33mm	14444	10	2695
	starter hole 15-43mm	14445	10	2695
	Midi Transparent			
	starter hole 15-33mm	14431	10	2695
	starter hole 15-43mm	14432	10	2695
	Maxi Transparent			
	starter hole 15-33mm	14441	10	2695
	starter hole 15-43mm	14442	10	2695
	Assura Conseal 1 Piece Plug			
	Important: This product should only be used after prior assessment of suitability by an appropriate medical professional.			
	Length Size			
	35mm			
	stoma size 20-35mm	1435	10	2359
	stoma size 35-45mm	1485	10	2359
	45mm			
	stoma size 20-35mm	1445	10	2359
	stoma size 35-45mm	1495	10	2359
	MC2000			
	Clear			
	25mm	5625	30	7887
	30mm	5630	30	7887
	35mm	5635	30	7887
	40mm	5640	30	7887
	45mm	5645	30	7887
	50mm	5650	30	7887
	55mm	5655	30	7887
	60mm	5660	30	7887
	Opaque			
	25mm	5725	30	7887
	30mm	5730	30	7887
	35mm	5735	30	7887
	40mm	5740	30	7887
	45mm	5745	30	7887
	50mm	5750	30	7887
	55mm	5755	30	7887
	60mm	5760	30	7887
	PC3000			
	Clear			
	25mm	8725	30	7449
	30mm	8730	30	7449
	35mm	8735	30	7449
	40mm	8740	30	7449
	45mm	8745	30	7449
	50mm	8750	30	7449
	Opaque			
	25mm	8825	30	7449
	30mm	8830	30	7449
	35mm	8835	30	7449
	40mm	8840	30	7449
	45mm	8845	30	7449
	50mm	8850	30	7449
	55mm	8855	30	7449

STOMA APPLIANCES

COLOSTOMY BAGS

Manufacturer	Appliance	Order No.	Quantity	List Price p
ConvaTec Ltd	Colodress Plus (Stomahesive Wafer) Closed Pouches			
	Opaque starter hole			
	pre-cut	19mm	S861	30 7028
		25mm	S862	30 7028
		32mm	S863	30 7028
		38mm	S864	30 7028
		45mm	S865	30 7028
		50mm	S866	30 7028
		64mm	S867	30 7028
	Clear starter hole	19mm	S871	30 7028
	pre-cut	25mm	S872	30 7028
		32mm	S873	30 7028
		38mm	S874	30 7028
		45mm	S875	30 7028
		50mm	S876	30 7028
		64mm	S877	30 7028
	Mini	19mm	S901	30 6340
		25mm	S902	30 6340
		32mm	S903	30 6340
		38mm	S904	30 6340
		45mm	S905	30 6340
	Esteem Closed Pouches with Malodour Counteractant Insert and Integral filter			
	Small - opaque			
	starter hole	20mm-60mm	S5001	30 5858
	pre-cut	25mm	S5002	30 5858
		30mm	S5003	30 5858
		35mm	S5011	30 5752
		40mm	S5004	30 5858
		50mm	S5005	30 5858
	Medium - clear			
	starter hole	20mm-80mm	S5006	30 6590
	pre-cut	25mm	S5007	30 6590
		30mm	S5008	30 6590
		35mm	S5012	30 6471
		40mm	S5009	30 6590
		50mm	S5010	30 6590
	Medium - opaque			
	starter hole	20mm-80mm	S5013	30 6590
	pre-cut	25mm	S5014	30 6590
		30mm	S5015	30 6590
		35mm	S5018	30 6471
		40mm	S5016	30 6590
		50mm	S5017	30 6590

IXC

STOMA APPLIANCES**COLOSTOMY BAGS**

Manufacturer	Appliance	Order No.	Quantity	List Price p	
ConvaTec Ltd	Large - clear starter hole	20mm-80mm	S5020	30	6590
	Large - opaque starter hole	20mm-80mm	S5027	30	6590
	pre-cut	25mm	S5028	30	6590
		30mm	S5029	30	6590
		35mm	S5034	30	6471
		40mm	S5030	30	6590
		50mm	S5031	30	6590
		60mm	S5032	30	6590
	70mm	S5033	30	6590	

Manufacturer	Appliance	Order No.	Quantity	List Price p	
Dansac Ltd	Dansac Light Convex				
	Integral convexity closed bag with filter and soft cover front and back Important: This product with integral convexity should only be used after prior assessment of suitability by an appropriate medical professional.				
	Opaque starter hole	15-24mm	257-24	10	2327
		15-37mm	257-37	10	2327
		15-46mm	257-46	10	2327
	Opaque pre-cut	20mm	257-20	10	2327
		25mm	257-25	10	2327
		30mm	257-30	10	2327
		35mm	257-35	10	2327
		40mm	257-40	10	2327
		45mm	257-45	10	2327
	Clear starter hole	15-24mm	258-24	10	2327
		15-37mm	258-37	10	2327
		15-46mm	258-46	10	2327
	pre-cut	20mm	258-20	10	2327
		25mm	258-25	10	2327
		30mm	258-30	10	2327
		35mm	258-35	10	2327
		40mm	258-40	10	2327
		45mm	258-45	10	2327

STOMA APPLIANCES**COLOSTOMY BAGS**

Manufacturer	Appliance	Order No.	Quantity	List Price p
Dansac Ltd	Unique			
	Opaque			
	starter hole	227-20	30	6678
	25mm	225-25	30	6678
	30mm	225-30	30	6678
	35mm	225-35	30	6678
	40mm	225-40	30	6678
	45mm	225-45	30	6678
	50mm	225-50	30	6678
	60mm	225-60	30	6678
	Clear			
	starter hole	228-20	30	6678
	25mm	226-25	30	6678
	30mm	226-30	30	6678
	35mm	226-35	30	6678
	40mm	226-40	30	6678
	45mm	226-45	30	6678
	50mm	226-50	30	6678
	60mm	226-60	30	6678
	Mini opaque (reference capacity: 220ml (see Note 2, page 217))			
	cut to fit	231-20	30	6147
	pre-cut	231-25	30	6147
	25mm	231-25	30	6147
	30mm	231-30	30	6147
	35mm	231-35	30	6147
	40mm	231-40	30	6147
	Oval Flange			
	Opaque - starter hole	223-15	30	6678
	Clear - starter hole	224-15	30	6678
	Dansac Nova			
	Opaque			
	starter hole	20-60mm	30	7054
	pre-cut	25mm	30	7054
	30mm	801-30	30	7054
	35mm	801-35	30	7054
	40mm	801-40	30	7054
	45mm	801-45	30	7054
	50mm	801-50	30	7054
	Clear			
	starter hole	20-60mm	30	7054
	pre-cut	25mm	30	7082 △
	30mm	802-30	30	7082 △
	35mm	802-35	30	7082 △
	40mm	802-40	30	7082 △
	45mm	802-45	30	7082 △
	50mm	802-50	30	7082 △

IXC

STOMA APPLIANCES

COLOSTOMY BAGS

Manufacturer	Appliance	Order No.	Quantity	List Price p
Dansac Ltd	Dansac Nova Mini			
	Opaque starter hole	20-50mm	803-20	30 5772
	pre-cut	25mm	803-25	30 5772
		30mm	803-30	30 5772
		35mm	803-35	30 5772
		40mm	803-40	30 5772
	Dansac Nova 1 Maxi			
	Closed pouch with a skin protecting barrier			
	Clear cut-to-fit	20-60mm	806-20	30 6980
	Opaque cut-to-fit	20-60mm	805-20	30 6980
	Dansac Nova 1 X3 Closed			
	Clear cut-to-fit	15-46mm	852-15	10 2550
	Opaque cut-to-fit	15-46mm	851-15	10 2550
	pre-cut	20mm	851-20	10 2550
		25mm	851-25	10 2550
		30mm	851-30	10 2550
		35mm	851-35	10 2550
		40mm	851-40	10 2550
	Dansac Nova 1 Convex with integral 6mm convexity			
	Important: This product with integral convexity should only be used after assessment by a medical professional.			
	Opaque cut-to-fit	15-24mm	831-24	10 2550
		15-37mm	831-37	10 2550
		15-46mm	831-46	10 2550
	pre-cut	20mm	831-20	10 2550
		25mm	831-25	10 2550
		30mm	831-30	10 2550
		35mm	831-35	10 2550
		40mm	831-40	10 2550
		45mm	831-45	10 2550
	Clear cut-to-fit	15-24mm	832-24	10 2550
		15-37mm	832-37	10 2550
		15-46mm	832-46	10 2550
	Dansac Nova 1 Soft Convex with integral 5mm convexity			
	Important: This product with integral convexity should only be used after assessment by a medical professional			
	Opaque pre-cut	20mm	871-20	10 2550
		25mm	871-25	10 2550
		30mm	871-30	10 2550
		35mm	871-35	10 2550
		40mm	871-40	10 2550
	Unique Light			
	Closed pouch			
	Opaque-soft lining on both sides, tapered barrier and fully activated filter			
	cut-to-fit	20-60mm	255-20	30 6812
	pre-cut	25mm	255-25	30 6812
		30mm	255-30	30 6812
		35mm	255-35	30 6812
		40mm	255-40	30 6812
		45mm	255-45	30 6812
		50mm	255-50	30 6812
		60mm	255-60	30 6812

STOMA APPLIANCES**COLOSTOMY BAGS**

Manufacturer	Appliance	Order No.	Quantity	List Price p
Hollister Ltd	Compact			
	Closed Pouch			
	Clear-with filter and white comfort backing on body-worn side			
	cut-to-fit 13-64mm	3460	30	7133
	Beige-with filter and beige comfort backing on both sides			
	cut-to-fit 13-64mm	3470	30	7133
	pre-cut 25mm	3472	30	7133
	32mm	3478	30	7133
	38mm	3473	30	7133
	44mm	3479	30	7133
	51mm	3474	30	7133
	64mm	3475	30	7133
	Transparent - with filter and white comfort backing on body-worn side			
	cut-to-fit 13-64mm	3520	30	7133
	pre-cut 25mm	3522	30	7133
	32mm	3528	30	7133
	38mm	3523	30	7133
	44mm	3529	30	7133
	51mm	3524	30	7133
	64mm	3525	30	7133
	Karaya 5 seal without filter			
	Transparent			
	25mm	7162	30	6392
	32mm	7168	30	6392
	38mm	7163	30	6392
	44mm	7169	30	6392
	51mm	7164	30	6392
	64mm	7165	30	6392
	76mm	7166	30	6392
	Karaya 5 seal with microporous adhesive and filter			
	Opaque			
	25mm	3312	30	7580
	32mm	3318	30	7580
	38mm	3313	30	7580
	44mm	3319	30	7580
	51mm	3314	30	7580
	64mm	3315	30	7580
	76mm	3316	30	7580
	Transparent			
	25mm	3322	30	7580
	32mm	3328	30	7580
	38mm	3323	30	7580
	44mm	3329	30	7580
	51mm	3324	30	7580
	64mm	3325	30	7580
	76mm	3326	30	7580

IXC

STOMA APPLIANCES

COLOSTOMY BAGS

Manufacturer	Appliance	Order No.	Quantity	List Price p
Hollister Ltd	Microporous Adhesive only with filter			
	Transparent			
	25mm	3142	50	8133
	32mm	3148	50	8133
	38mm	3143	50	8133
	44mm	3149	50	8133
	51mm	3144	50	8133
	64mm	3145	50	8133
	Premium Bag with Karaya 5 seal microporous adhesive and filter			
	Transparent			
	25mm	3552	15	3823
	32mm	3558	15	3823
	38mm	3553	15	3823
	44mm	3559	15	3823
	51mm	3554	15	3823
	64mm	3555	15	3823
	76mm	3556	15	3823
	Impression "C" with convex wafer Beige with filter and beige Comfort backing on both sides			
	19mm	3490	10	2482
	22mm	3491	10	2482
	25mm	3492	10	2482
	29mm	3493	10	2482
	32mm	3494	10	2482
	35mm	3495	10	2482
	38mm	3496	10	2482
	41mm	3497	10	2482
	44mm	3498	10	2482
	51mm	3499	10	2482
	Impression "C" with convex wafer, Transparent front with filter and beige Comfort backing on body worn side			
	19mm	3590	10	2437
	22mm	3591	10	2437
	25mm	3592	10	2437
	29mm	3593	10	2437
	32mm	3594	10	2437
	35mm	3595	10	2437
	38mm	3596	10	2437
	41mm	3597	10	2437
	44mm	3598	10	2437
	51mm	3599	10	2437

STOMA APPLIANCES

COLOSTOMY BAGS

Manufacturer	Appliance	Order No.	Quantity	List Price p
Hollister Ltd	Moderma-Flex			
	Closed Pouch with skin-resting barrier, filter and beige comfort backing on bodyworn side. Transparent starter hole 15-55mm	22500	30	6503
	Closed pouch with skin-resting barrier, filter and beige comfort backing on both sides. Beige starter hole 15-55mm	22100	30	6503
	20mm	22120	30	6503
	25mm	22125	30	6503
	30mm	22130	30	6503
	35mm	22135	30	6503
	40mm	22140	30	6503
	45mm	22145	30	6503
	Maxi closed pouch with skin-resting barrier, anatomical shape with integral filter and beige comfort backing on bodyworn side. Beige - with comfort backing on both sides cut-to-fit 15-55mm	22300	30	6900
	pre-cut 25mm	22325	30	6900
	30mm	22330	30	6900
	35mm	22335	30	6900
	Transparent - with comfort backing on body side only cut-to-fit 15-55mm	22400	30	6900
	Moderma Flex with Adapt conformable convex rings			
	Closed pouch, anatomical shape with integral filter. Flexible barrier plus Adapt conformable convex ring. Beige - with comfort backing on both sides cut-to-fit 20-29mm + 20mm ring	22620	20	8697
	30-39mm + 30mm ring	22630	20	8697
	40-49mm + 40mm ring	22640	20	8697
	Transparent - with comfort backing on body side only cut-to-fit 20-29mm + 20mm ring	22720	20	8697
	30-39mm + 30mm ring	22730	20	8697
	40-49mm + 40mm ring	22740	20	8697
Jade-Euro-Med Ltd	Black Butyl Screw-cap outlet			
	Day bag	KM 38	1	3091
	Night bag	KM 40	1	3606
	White Rubber Screw-cap outlet			
	Day bag	KM 44	1	1718
Night bag	KM 46	1	1968	

IXC

STOMA APPLIANCES

COLOSTOMY BAGS

Manufacturer	Appliance	Order No.	Quantity	List Price p
Marlen USA	Ultra Closed Bag			
	Opaque			
	Flat starter hole	801312	15	2982
	Transparent			
	Flat starter hole	861312	15	2982
	Flat pre-cut			
	Opaque			
	12mm	801412	15	2982
	16mm	801416	15	2982
	19mm	801419	15	2982
	22mm	801422	15	2982
	25mm	801425	15	2982
	29mm	801429	15	2982
	32mm	801432	15	2982
	34mm	801434	15	2982
	38mm	801438	15	2982
	41mm	801441	15	2982
	44mm	801444	15	2982
	48mm	801448	15	2982
	50mm	801450	15	2982
	54mm	801454	15	2982
	57mm	801457	15	2982
	60mm	801460	15	2982
	63mm	801463	15	2982
	67mm	801467	15	2982
	70mm	801470	15	2982
	73mm	801473	15	2982
	76mm	801476	15	2982
	Transparent			
	12mm	861412	15	2982
	16mm	861416	15	2982
	19mm	861419	15	2982
	22mm	861422	15	2982
25mm	861425	15	2982	
29mm	861429	15	2982	
32mm	861432	15	2982	
34mm	861434	15	2982	
38mm	861438	15	2982	
41mm	861441	15	2982	
44mm	861444	15	2982	
48mm	861448	15	2982	
50mm	861450	15	2982	
54mm	861454	15	2982	
57mm	861457	15	2982	
60mm	861460	15	2982	
63mm	861463	15	2982	
67mm	861467	15	2982	
70mm	861470	15	2982	
73mm	861473	15	2982	
76mm	861476	15	2982	

STOMA APPLIANCES

COLOSTOMY BAGS

Manufacturer	Appliance	Order No.	Quantity	List Price p	
Marlen USA	Ultra Closed Bag				
	Shallow Convex pre-cut				
	Opaque				
		12mm	801512	15	2982
		16mm	801516	15	2982
		19mm	801519	15	2982
		22mm	801522	15	2982
		25mm	801525	15	2982
		29mm	801529	15	2982
		32mm	801532	15	2982
		34mm	801534	15	2982
		38mm	801538	15	2982
		41mm	801541	15	2982
		44mm	801544	15	2982
		48mm	801548	15	2982
		50mm	801550	15	2982
		54mm	801554	15	2982
		57mm	801557	15	2982
		60mm	801560	15	2982
		63mm	801563	15	2982
		67mm	801567	15	2982
		70mm	801570	15	2982
		73mm	801573	15	2982
		76mm	801576	15	2982
		Transparent			
		12mm	861512	15	2982
		16mm	861516	15	2982
		19mm	861519	15	2982
		22mm	861522	15	2982
		25mm	861525	15	2982
		29mm	861529	15	2982
		32mm	861532	15	2982
		34mm	861534	15	2982
	38mm	861538	15	2982	
	41mm	861541	15	2982	
	44mm	861544	15	2982	
	48mm	861548	15	2982	
	50mm	861550	15	2982	
	54mm	861554	15	2982	
	57mm	861557	15	2982	
	60mm	861560	15	2982	
	63mm	861563	15	2982	
	67mm	861567	15	2982	
	70mm	861570	15	2982	
	73mm	861573	15	2982	
	76mm	861576	15	2982	

IXC

STOMA APPLIANCES

COLOSTOMY BAGS

Manufacturer	Appliance	Order No.	Quantity	List Price p
Marlen USA	Ultramax Closed Bag			
	Opaque			
	Flat starter hole	83400	30	6784
	12mm	83412	30	6784
	16mm	83416	30	6784
	19mm	83419	30	6784
	22mm	83422	30	6784
	25mm	83425	30	6784
	29mm	83429	30	6784
	32mm	83432	30	6784
	34mm	83434	30	6784
	38mm	83438	30	6784
	41mm	83441	30	6784
	44mm	83444	30	6784
	50mm	83450	30	6784
	55mm	83455	30	6784
	Convex starter hole	83500	10	2410
	12mm	83512	10	2410
	16mm	83516	10	2410
	19mm	83519	10	2410
	22mm	83522	10	2410
	25mm	83525	10	2410
	29mm	83529	10	2410
	32mm	83532	10	2410
	34mm	83534	10	2410
	38mm	83538	10	2410
	41mm	83541	10	2410
	44mm	83544	10	2410
	50mm	83550	10	2410
	55mm	83555	10	2410
	Transparent			
	Flat starter hole	82400	30	6784
	12mm	82412	30	6784
	16mm	82416	30	6784
	19mm	82419	30	6784
	22mm	82422	30	6784
	25mm	82425	30	6784
	29mm	82429	30	6784
	32mm	82432	30	6784
	34mm	82434	30	6784
	38mm	82438	30	6784
	41mm	82441	30	6784
	44mm	82444	30	6784
	50mm	82450	30	6784
	55mm	82455	30	6784
	Convex starter hole	82500	10	2410
	12mm	82512	10	2410
	16mm	82516	10	2410
	19mm	82519	10	2410
	22mm	82522	10	2410
	25mm	82525	10	2410
	29mm	82529	10	2410
	32mm	82532	10	2410
	34mm	82534	10	2410
	38mm	82538	10	2410
	41mm	82541	10	2410
	44mm	82544	10	2410
	50mm	82550	10	2410
	55mm	82555	10	2410

STOMA APPLIANCES**COLOSTOMY BAGS**

Manufacturer	Appliance	Order No.	Quantity	List Price p
Mentor Medical Ltd	Adhesive Stoma Bag			
	25mm	32-232-80	90	14037
	32mm	32-233-88	90	14037
	38mm	32-234-85	90	14037
	44mm	32-240-07	90	14037
	51mm	32-235-82	90	14037
	64mm	32-237-87	90	14037
	With filter			
	25mm	32-242-87	90	15776
	32mm	32-243-84	90	15776
	38mm	32-244-81	90	15776
	44mm	32-241-04	90	15776
	51mm	32-245-89	90	15776
	64mm	32-246-86	90	15776
	Chiron			
	Disposable bags for 19mm stoma			
	305mm x 102mm	WD119-01-L	10	1102
	305mm x 127mm	WD119-02-N	10	1102
	Chiron Clearseal			
	Disposable bags sealed both ends for			
	22mm Stoma - small	WD222-02-U	10	1653
	38mm Stoma - small	WD238-02-B	10	1653
	38mm Stoma - medium	WD238-03-D	10	1653
	Chironseal			
	Disposable bags for 22mm Stoma			
	305mm x 102mm	WD022-01-E	10	1241
	305mm x 127mm	WD022-02-G	10	1241
	230mm x 127mm	WD022-03-J	10	1241
	305mm x 150mm	WD022-04-L	10	1241
	305mm x 205mm	WD022-05-N	10	1424
	305mm x 255mm	WD022-06-Q	10	1424
	Disposable bags for 38mm Stoma			
	305mm x 102mm	WD038-01-L	10	1241
	305mm x 127mm	WD038-02-N	10	1241
	230mm x 127mm	WD038-03-Q	10	1241
	305mm x 150mm	WD038-04-S	10	1241
	305mm x 205mm	WD038-05-U	10	1424
	305mm x 255mm	WD038-06-W	10	1424
	Reinforced Disposable bags Sealed at both ends			
		WD525-01-A	10	1653
		WD538-02-V	10	1653
	Spout outlet bag PVC	WD600-10-A	10	3400

IXC

STOMA APPLIANCES

COLOSTOMY BAGS

Manufacturer	Appliance	Order No.	Quantity	List Price p
Mentor Medical Ltd	EC1 Range			
	Beige			
	starter hole 15-64mm	32-330-06	30	7539
	fixed size - 25mm	32-330-14	30	7539
	fixed size - 32mm	32-330-22	30	7539
	fixed size - 38mm	32-330-30	30	7539
	fixed size - 44mm	32-330-49	30	7539
	fixed size - 51mm	32-330-57	30	7539
	fixed size - 64mm	32-330-65	30	7539
	Clear			
	starter hole 15-64mm	32-334-05	30	7539
	fixed size - 25mm	32-334-13	30	7539
	fixed size - 32mm	32-334-21	30	7539
	fixed size - 38mm	32-334-48	30	7539
	fixed size - 44mm	32-334-56	30	7539
	fixed size - 51mm	32-334-80	30	7539
	fixed size - 64mm	32-334-99	30	7539
	Mirage Closed Pouches			
	Beige			
	starter hole 19-44mm	32-510-10	30	6370
	starter hole 19-64mm	32-510-15	30	6370
	25mm	32-510-25	30	6370
	32mm	32-510-32	30	6370
	38mm	32-510-38	30	6370
	44mm	32-510-44	30	6370
	51mm	32-510-51	30	6370
	64mm	32-510-64	30	6370
	Large Outline cut 19-90mm	32-510-90	10	2301
	Clear			
	starter hole 19-44mm	32-515-10	30	6370
	starter hole 19-64mm	32-515-15	30	6370
	25mm	32-515-25	30	6370
	32mm	32-515-32	30	6370
	38mm	32-515-38	30	6370
	44mm	32-515-44	30	6370
	51mm	32-515-51	30	6370
	64mm	32-515-64	30	6370
	Large Outline cut 19-90mm	32-515-90	10	2301
	Mirage Flushable Soft-backed Closed Pouches			
	Beige			
	starter hole 19-44mm	32-610-19	30	6894
	25mm	32-610-25	30	6894
	32mm	32-610-32	30	6894
	38mm	32-610-38	30	6894
	44mm	32-610-44	30	6894
	51mm	32-610-51	30	6894
	Clear			
	starter hole 19-44mm	32-615-19	30	6894
	25mm	32-615-25	30	6894
	32mm	32-615-32	30	6894
	38mm	32-615-38	30	6894
	44mm	32-615-44	30	6894
	51mm	32-615-51	30	6894

STOMA APPLIANCES**COLOSTOMY BAGS**

Manufacturer	Appliance	Order No.	Quantity	List Price p
Mentor Medical Ltd	Omni 1-piece closed bag			
	Beige			
	starter hole 15-44mm	32-311-86	30	7648
	fixed size 25mm	32-311-00	30	7648
	fixed size 32mm	32-311-19	30	7648
	fixed size 38mm	32-311-27	30	7648
	fixed size 44mm	32-311-35	30	7648
	fixed size 51mm	32-311-43	30	7648
	Redifit			
	Continuation bags with Karaya			
	32mm	WA009-32-N	20	7993
	38mm	WA009-38-B	20	7993
	44mm	WA009-44-V	20	7993
	51mm	WA009-51-S	20	7993
	64mm	WA009-64-C	20	7993
	Symphony 'WC Disposable' Closed bag			
	Beige			
	starter hole 15-44mm	32-336-18	30	7888
	fixed size 25mm	32-336-26	30	7888
	fixed size 32mm	32-336-34	30	7888
	fixed size 38mm	32-336-42	30	7888
	fixed size 44mm	32-336-50	30	7888
	fixed size 51mm	32-336-69	30	7888
	Clear			
	fixed size 25mm	32-335-10	30	7888
	fixed size 32mm	32-335-29	30	7888
	fixed size 38mm	32-335-37	30	7888
	fixed size 44mm	32-335-45	30	7888
	fixed size 51mm	32-335-53	30	7888
	Symphony Classic Soft-backed "WC Disposable" Closed Bag			
	Beige			
	starter hole 15-51mm	32-340-15	30	7888
	fixed size 25mm	32-340-25	30	7888
	fixed size 32mm	32-340-32	30	7888
	fixed size 38mm	32-340-38	30	7888
	fixed size 44mm	32-340-44	30	7888
	fixed size 51mm	32-340-51	30	7888

IXC

STOMA APPLIANCES

COLOSTOMY BAGS

Manufacturer	Appliance	Order No.	Quantity	List Price p
Oakmed Ltd	Option - Mini Pouch with Soft Covering to one side cut-to-fit 10mm-50mm			
	Clear	0910K	30	5439
	Opaque	1010K	30	5439
	Option - Colostomy with Soft Covering to one side			
	Clear			
	starter hole			
	20mm	0120K	30	6008
	25mm	0125K	30	6008
	30mm	0130K	30	6008
	35mm	0135K	30	6008
	40mm	0140K	30	6008
	45mm	0145K	30	6008
	50mm	0150K	30	6008
	55mm	0155K	30	6008
	60mm	0160K	30	6008
	Opaque			
	starter hole			
	20mm	0220K	30	6008
	25mm	0225K	30	6008
	30mm	0230K	30	6008
	35mm	0235K	30	6008
	40mm	0240K	30	6008
	45mm	0245K	30	6008
	50mm	0250K	30	6008
	55mm	0255K	30	6008
	60mm	0260K	30	6008
	Option - Colostomy Plus with Soft Covering to one side			
	Clear starter hole			
	20mm	0520K	30	6153
	25mm	0525K	30	6153
	30mm	0530K	30	6153
	35mm	0535K	30	6153
	40mm	0540K	30	6153
	45mm	0545K	30	6153
	50mm	0550K	30	6153
	55mm	0555K	30	6153
	60mm	0560K	30	6153
	Opaque starter hole			
	20mm	0620K	30	6153
	25mm	0625K	30	6153
	30mm	0630K	30	6153
	35mm	0635K	30	6153
	40mm	0640K	30	6153
	45mm	0645K	30	6153
	50mm	0650K	30	6153
	55mm	0655K	30	6153
	60mm	0660K	30	6153

STOMA APPLIANCES

COLOSTOMY BAGS

Manufacturer	Appliance	Order No.	Quantity	List Price p
Oakmed Ltd	Option - Mini Pouch with Filter and Soft Covering to both sides			
	Opaque			
	cut-to-fit 10mm - 50mm	1110K	30	5543
	Option - Colostomy with Filter and Soft Covering to both sides			
	Opaque starter hole			
	20mm	0320K	30	6267
	25mm	0325K	30	6267
	30mm	0330K	30	6267
	35mm	0335K	30	6267
	40mm	0340K	30	6267
	45mm	0345K	30	6267
	50mm	0350K	30	6267
	55mm	0355K	30	6267
	60mm	0360K	30	6267
	Option - Colostomy Plus with Filter and Soft Covering to both sides			
	Opaque starter hole			
	20mm	0420K	30	6419
	25mm	0425K	30	6419
	30mm	0430K	30	6419
	35mm	0435K	30	6419
	40mm	0440K	30	6419
	45mm	0445K	30	6419
	50mm	0450K	30	6419
	55mm	0455K	30	6419
	60mm	0460K	30	6419
	Option - Colostomy Maxi with Filter and Soft Covering to one side			
	Clear			
	cut-to-fit 20mm-100mm	0720K	30	6802
	Option - Colostomy Maxi with Filter and Soft Covering to both sides			
	Opaque			
	cut-to-fit 20mm-100mm	0820K	30	6941
	Option - Colostomy Maxi with Filter and Soft Covering to both sides without window			
	Opaque			
	cut-to-fit 20mm-100mm	0820KWW	30	6940

IXC

STOMA APPLIANCES

COLOSTOMY BAGS

Manufacturer	Appliance	Order No.	Quantity	List Price p
Oakmed Ltd	Option - Colostomy Microskin			
	Opaque starter hole			
	20mm	M-0320K	30	7112
	25mm	M-0325K	30	7112
	30mm	M-0330K	30	7112
	35mm	M-0335K	30	7112
	40mm	M-0340K	30	7112
	45mm	M-0345K	30	7112
	50mm	M-0350K	30	7112
	55mm	M-0355K	30	7112
	60mm	M-0360K	30	7112
	Option - Colostomy Plus Microskin			
	Opaque starter hole			
	20mm	M-0420K	30	7212
	25mm	M-0425K	30	7212
	30mm	M-0430K	30	7212
	35mm	M-0435K	30	7212
	40mm	M-0440K	30	7212
	45mm	M-0445K	30	7212
	50mm	M-0450K	30	7212
	55mm	M-0455K	30	7212
	60mm	M-0460K	30	7212
Omex Medical Ltd	Schacht Colostomy Pouches	785474	100	3426
Pelican Healthcare Ltd	Phoenix Closed pouches			
	Opaque - normal size			
	32mm	101425	100	18196
	40mm	101426	100	18196
	45mm	101427	100	18196
	Opaque - casual size			
	32mm	101420	100	16927
	40mm	101421	100	16927
	45mm	101422	100	16927
	Pelican Pouches with skin protector, adhesive, filter, comfort backing			
	Closed pouches			
	Opaque - normal size			
	starter hole	100500	30	8009
	26mm	100524	30	8009
	32mm	100525	30	8009
	40mm	100526	30	8009
	45mm	100527	30	8009
	50mm	100528	30	8009
	Opaque - casual size			
	32mm	100520	30	7600
	40mm	100521	30	7600
	45mm	100522	30	7600

STOMA APPLIANCES**COLOSTOMY BAGS**

Manufacturer	Appliance	Order No.	Quantity	List Price p
Pelican Healthcare Ltd	Pelican Select with skin protector,fabric both sides, filter Closed pouches Clear cut-to-fit			
	20-65mm	100700	30	6959
	pre-cut			
	27mm	101727	30	6959
	34mm	101734	30	6959
	41mm	101741	30	6959
	48mm	101748	30	6959
	55mm	101755	30	6959
	Opaque cut-to-fit			
	20-65mm	100720	30	6959
	pre-cut			
	27mm	100727	30	6959
	34mm	100734	30	6959
	41mm	100741	30	6959
	48mm	100748	30	6959
	55mm	100755	30	6959
	Mini Closed Pouches			
	Clear cut-to-fit			
	20-65mm	100600	30	5837
	Opaque cut-to-fit			
	20-65mm	100620	30	5837
	+ Opaque pre-cut			
	27mm	100627	30	5837
	34mm	100634	30	5837
	41mm	100641	30	5837
	48mm	100648	30	5837
	55mm	100655	30	5837

+ to be deleted 1 March 2005

Pelican Select Afresh Closed Pouch with skin protector, fabric on both sides, split fabric backing for viewing/positioning and filter.

Opaque - Standard shape cut-to-fit	20-65mm	102120	30	6853
pre-cut	22.5mm	102122	30	6853
	25mm	102125	30	6853
	27.5mm	102127	30	6853
	30mm	102130	30	6853
	32.5mm	102132	30	6853
	35mm	102135	30	6853
	37.5mm	102137	30	6853
	40mm	102140	30	6853
	45mm	102145	30	6853
	50mm	102150	30	6853
	55mm	102155	30	6853

IXC

STOMA APPLIANCES**COLOSTOMY BAGS**

Manufacturer	Appliance	Order No.	Quantity	List Price p
Pelican Healthcare Ltd	Clear - Standard shape			
	cut-to-fit 20-65mm	102220	30	6853
	pre-cut 22.5mm	102222	30	6853
	25mm	102225	30	6853
	27.5mm	102227	30	6853
	30mm	102230	30	6853
	32.5mm	102232	30	6853
	35mm	102235	30	6853
	37.5mm	102237	30	6853
	40mm	102240	30	6853
	45mm	102245	30	6853
	50mm	102250	30	6853
	55mm	102255	30	6853
	Opaque - Mini shape			
	cut-to-fit 20-65mm	102320	30	6853
	pre-cut 22.5mm	102322	30	6853
	25mm	102325	30	6853
	27.5mm	102327	30	6853
	30mm	102330	30	6853
	32.5mm	102332	30	6853
	35mm	102335	30	6853
	37.5mm	102337	30	6853
	40mm	102340	30	6853
	45mm	102345	30	6853
	50mm	102350	30	6853
	55mm	102355	30	6853
	Clear - Mini shape			
	cut-to-fit 20-65mm	102300	30	6853
	Opaque - Maxi shape			
	cut-to-fit 20-65mm	102420	30	6931
	Clear - Maxi shape			
	cut-to-fit 20-65mm	102400	30	6931
	Pelican Select Closed Convex Pouch - integral convexity with filter and split fabric backing			
	Opaque - Standard			
	cut-to-fit 12-40mm	103312	10	2650
	pre-cut 20mm	103320	10	2650
	22.5mm	103322	10	2650
	25mm	103325	10	2650
	27.5mm	103327	10	2650
	30mm	103330	10	2650
	32.5mm	103332	10	2650
	35mm	103335	10	2650
	37.5mm	103337	10	2650
	40mm	103340	10	2650

STOMA APPLIANCES**COLOSTOMY BAGS**

Manufacturer	Appliance	Order No.	Quantity	List Price p		
Pelican Healthcare Ltd	Clear - Standard					
	cut-to-fit 12-40mm	103412	10	2650		
	pre-cut 20mm	103420	10	2650		
		22.5mm	103422	10	2650	
		25mm	103425	10	2650	
		27.5mm	103427	10	2650	
		30mm	103430	10	2650	
		32.5mm	103432	10	2650	
		35mm	103435	10	2650	
		37.5mm	103437	10	2650	
		40mm	103440	10	2650	
		Opaque - Maxi				
		cut-to-fit 12-40mm	103512	10	2650	
		pre-cut 20mm	103520	10	2650	
			22.5mm	103522	10	2650
			25mm	103525	10	2650
			27.5mm	103527	10	2650
			30mm	103530	10	2650
			32.5mm	103532	10	2650
			35mm	103535	10	2650
			37.5mm	103537	10	2650
			40mm	103540	10	2650
		Opaque - Mini				
		cut-to-fit 12-40mm	103112	10	2650	
		Clear - Maxi				
		cut-to-fit 12-40mm	103612	10	2650	
	Rüsch UK	Ostopore Colo with adhesive & vent				
		Opaque				
			25mm	742025	30	4428
			32mm	742032	30	4428
			38mm	742038	30	4428
			45mm	742045	30	4428
		Colo with Karaya adhesive & vent				
		Opaque				
		25mm	744025	30	6028	
		32mm	744032	30	6028	
		38mm	744038	30	6028	
		45mm	744045	30	6028	
		51mm	744051	30	6028	
		Transparent				
		32mm	740032	30	7697	
	38mm	740038	30	7697		
	45mm	740045	30	7697		
	51mm	740051	30	7697		

IXC

STOMA APPLIANCES**COLOSTOMY BAGS**

Manufacturer	Appliance	Order No.	Quantity	List Price p
Rüsch UK	White Rubber Spout outlet			
	Day Bag			
	19mm	LM 885101	1	1257
	25mm	LM 885102	1	1257
	28mm	LM 885103	1	1257
	Night Bag			
	19mm	LM 885111	1	1356
	25mm	LM 885112	1	1356
	28mm	LM 885113	1	1356
	Salts Healthcare	Cohflex - with filter		
Closed				
starter hole (10-60mm)				
Flesh/Flesh		515410	30	6645 △
Flesh/Clear		515420	30	6645 △
pre-cut Flesh/Flesh				
25mm		515425	30	6645 △
30mm		515430	30	6645 △
35mm		515435	30	6645 △
40mm		515440	30	6645 △
45mm		515445	30	6645 △
50mm		515450	30	6645 △
Coloset				
Closed bag				
Small starter	713656	30	1159 △	

Manufacturer	Appliance	Order No.	Quantity	List Price p
	Confidence			
	Closed pouches			
	Opaque			
	starter hole			
	13mm	C13	30	6721 △
	pre-cut			
	25mm	C25	30	6721 △
	32mm	C32	30	6721 △
	38mm	C38	30	6721 △
	45mm	C45	30	6721 △
	52mm	C52	30	6721 △
	Mini Closed pouches			
	starter hole			
	13mm	CM13	30	5295 △
	pre-cut			
	25mm	CM25	30	5295 △
	32mm	CM32	30	5295 △

STOMA APPLIANCES**COLOSTOMY BAGS**

Manufacturer	Appliance	Order No.	Quantity	List Price p			
Salts Healthcare	Closed pouches - transparent/overlap film Standard starter hole 13mm	CT13	30	6435 △			
	Closed pouches - transparent/no overlap Standard starter hole 13mm	CTT13	30	6435 △			
	Closed pouches-transparent/overlap film pre-cut	25mm	CT25	30	6629 △		
		32mm	CT32	30	6629 △		
		38mm	CT38	30	6629 △		
		45mm	CT45	30	6629 △		
		52mm	CT52	30	6629 △		
	Closed pouches-transparent/overlap film Large starter hole 13mm	CLT13	30	6515 △			
		Closed pouches - transparent/no overlap Large starter hole 13mm	CLTT13	30	6515 △		
	Confidence Comfort closed pouches - Transparent film/beige overlap comfort backing on both sides. Hypoallergenic hydrocolloid, protected filter, anatomical shape.		Standard starter hole 13mm	CF13	30	7750	
		pre-cut	25mm	CF25	30	7750	
			32mm	CF32	30	7750	
			35mm	CF35	30	7750	
			38mm	CF38	30	7750	
			41mm	CF41	30	7750	
		Large starter hole 13mm	CFL13	30	7750		
			pre-cut	25mm	CFL25	30	7750
				32mm	CFL32	30	7750
				35mm	CFL35	30	7750
				38mm	CFL38	30	7750
		41mm	CFL41	30	7750		

IXC

STOMA APPLIANCES

COLOSTOMY BAGS

Manufacturer	Appliance	Order No.	Quantity	List Price p
Salts Healthcare	Confidence Gold			
	with hypoallergenic hydrocolloid and soft beige comfort backing on both sides, filter			
	Closed Pouches			
	Opaque			
	starter hole			
	13mm	CNW13	30	6605 △
	pre-cut			
	25mm	CNW25	30	6605 △
	32mm	CNW32	30	6605 △
	35mm	CNW35	30	6605 △
	38mm	CNW38	30	6605 △
	45mm	CNW45	30	6605 △
	52mm	CNW52	30	6605 △
	Mini Closed Pouches			
	starter hole			
	13mm	CMNW13	30	5205 △
	pre-cut			
	25mm	CMNW25	30	5205 △
	32mm	CMNW32	30	5205 △
	35mm	CMNW35	30	5205 △
	Closed Pouches - Transparent			
	Film/Beige Overlap Comfort Backing			
	Standard			
	starter hole			
	13mm	CTNW13	30	6324 △
	pre-cut			
	25mm	CTNW25	30	6515 △
32mm	CTNW32	30	6515 △	
35mm	CTNW35	30	6515 △	
38mm	CTNW38	30	6515 △	
45mm	CTNW45	30	6515 △	
52mm	CTNW52	30	6515 △	
Large				
starter hole				
13mm	CLTNW13	30	6515 △	

STOMA APPLIANCES**COLOSTOMY BAGS**

Manufacturer	Appliance	Order No.	Quantity	List Price p	
Salts Healthcare	Confidence Gold Convex				
	1 piece integral convexity with hypoallergenic hydrocolloid and soft beige comfort backing on both sides, filter. Important: This product with integral convexity should only be used after assessment by a medical professional. Closed Pouches Transparent Film/Beige Overlap Comfort Backing Standard starter hole				
		13-25mm	CC13-25	10	2550 △
		13-38mm	CC13-38	10	2550 △
		13-52mm	CC13-52	10	2550 △
		pre-cut			
		21mm	CC21	10	2550 △
		25mm	CC25	10	2550 △
		28mm	CC28	10	2550 △
		32mm	CC32	10	2550 △
		35mm	CC35	10	2550 △
		38mm	CC38	10	2550 △
		41mm	CC41	10	2550 △
		45mm	CC45	10	2550 △
		Eakin			
		Closed bag			
		Clear			
		32mm	839130	20	4913 △
		45mm	839131	20	4913 △
		64mm	839132	20	4913 △
		Simplicity 1 - with filter			
		Closed			
		starter hole (10mm-60mm)			
		White/White	511310	30	7799 △
		White/Clear	511311	30	7799 △
		+ Flesh/Flesh	511410	30	7571 △
	+ Flesh/Clear	511411	30	7571 △	
	pre-cut				
	White/White				
	30mm	511330	30	7799 △	
	40mm	511340	30	7799 △	
	50mm	511350	30	7799 △	
	60mm	511360	30	7799 △	
	+ Flesh/Flesh				
	30mm	511430	30	7571 △	
	40mm	511440	30	7571 △	
	50mm	511450	30	7571 △	

IXC

+ to be deleted 1 March 2005

STOMA APPLIANCES**COLOSTOMY BAGS**

Manufacturer	Appliance	Order No.	Quantity	List Price p
Salts Healthcare	Simplicity 1 Anatomical			
	Closed			
	Clear - starter hole	541311	30	7394 △
	Opaque - starter hole	541310	30	7394 △
	30mm	541330	30	7394 △
	40mm	541340	30	7394 △
	50mm	541350	30	7394 △
T J Shannon Ltd	Night bags	TJS 948e	1	2813
	Day bags	TJS 948f	1	2458
	Disposable bags	TJS 948g	100	1218
	Day bags tap outlet	TJS 948j	1	2813
	Night bags tap outlet	TJS 948k	1	3067
	Bags with elastic necks		50	2456
	Disposable bags and plaster sealed both ends		12	672
A H Shaw & Partners Ltd	Hainsworth bags with body mould adhesive hole size 25mm, 32mm, 38mm, and 51mm	NSI 63	20	4685
	Hainsworth bags with Healwell adhesive hole size 25mm, 32mm, 38mm, and 51mm	NSI 39	20	2459
	Stick on bags with plasters	NSI 62	10	932
	Shaw double seal 280mm x 154mm	NSI 64	100	1121
	Colostomy bags 350mm x 204mm	NSI 65	100	1226

STOMA APPLIANCES**COLOSTOMY BAGS**

Manufacturer	Appliance	Order No.	Quantity	List Price p
Ward Surgical Appliance Co	Colostomy Disposable bags, sealed both ends			
	30.5cm x 102mm with 102mm x 76mm plasters	WM 15	10	887
	30.5cm x 127mm with 102mm x 102mm plasters	WM 16	10	887
	Rubber colostomy bag with mount outlet	WM12	1	1531
Welland Medical Ltd	Curvex closed pouches with soft flexible flange, all over soft cover and filter			
	Beige			
	25mm plateau starter hole	CCS 513	10	2320
	32mm plateau starter hole	CCM 513	10	2320
	32mm plateau 25mm pre-cut	CCM 525	10	2320
	32mm plateau 32mm pre-cut	CCM 532	10	2320
	43mm plateau starter hole	CCL 513	10	2320
	43mm plateau 32mm pre-cut	CCL 532	10	2320
	43mm plateau 38mm pre-cut	CCL 538	10	2320
	Clear			
	25mm plateau starter hole	CCS 713	10	2320
	32mm plateau starter hole	CCM 713	10	2320
	43mm plateau starter hole	CCL 713	10	2320
	Silhouette Standard Length Closed Pouches			
	Beige			
	10mm	SCS 510	30	6499
	25mm	SCS 525	30	6499
	29mm	SCS 529	30	6499
	32mm	SCS 532	30	6499
	35mm	SCS 535	30	6499
	38mm	SCS 538	30	6499
	44mm	SCS 544	30	6499
	51mm	SCS 551	30	6499
	60mm	SCS 560	30	6499
	Clear			
	10mm	SCS 710	30	6499
	25mm	SCS 725	30	6499
	29mm	SCS 729	30	6499
	32mm	SCS 732	30	6499
	35mm	SCS 735	30	6499
	38mm	SCS 738	30	6499
	44mm	SCS 744	30	6499
	51mm	SCS 751	30	6499
	60mm	SCS 760	30	6499

IXC

STOMA APPLIANCES

COLOSTOMY BAGS

Manufacturer	Appliance	Order No.	Quantity	List Price p
Welland Medical Ltd	Silhouette Vogue Shorter Length Closed Pouches			
	Beige 10mm	SCV 510	30	5766
	25mm	SCV 525	30	5766
	29mm	SCV 529	30	5766
	32mm	SCV 532	30	5766
	35mm	SCV 535	30	5766
	38mm	SCV 538	30	5766
	44mm	SCV 544	30	5766
	51mm	SCV 551	30	5766
	Vogue Mini Bags			
	Beige starter hole 10mm	VOG 910	30	6018
	25mm	VOG 925	30	6018
	29mm	VOG 929	30	6018
	32mm	VOG 932	30	6018
	35mm	VOG 935	30	6018
	38mm	VOG 938	30	6018
	44mm	VOG 944	30	6018
	51mm	VOG 951	30	6018
	Welland Colostomy Bags with soft backing			
	Beige starter hole 10mm	FSC 910	30	6788
	25mm	FSC 925	30	6788
	29mm	FSC 929	30	6788
	32mm	FSC 932	30	6788
	35mm	FSC 935	30	6788
	38mm	FSC 938	30	6788
	44mm	FSC 944	30	6788
	51mm	FSC 951	30	6788
	60mm	FSC 960	30	6788
	Clear starter hole 10mm	FSC 710	30	6788
	25mm	FSC 725	30	6788
	29mm	FSC 729	30	6788
	32mm	FSC 732	30	6788
	35mm	FSC 735	30	6788
	38mm	FSC 738	30	6788
	44mm	FSC 744	30	6788
	51mm	FSC 751	30	6788
	60mm	FSC 760	30	6788

Manufacturer	Appliance	Order No.	Quantity	List Price p
Welland Medical Ltd	Welland FreeStyle Colostomy Pouches (incorporating Dual-Carb Filter)			
	Closed pouch with clear odour barrier film on flange side, opaque odour barrier film on filter side. Both sides covered with beige polyethylene soft back.			
	Medium 13mm starter hole (cuts to 60mm)	FMC 513	30	6944
	pre-cut			
	25mm	FMC 525	30	6823
	29mm	FMC 529	30	6823
	32mm	FMC 532	30	6823
	35mm	FMC 535	30	6823
	38mm	FMC 538	30	6823
	44mm	FMC 544	30	6823
	Large 13mm starter hole (cuts to 60mm)	FLC 513	30	6944

STOMA APPLIANCES

COLOSTOMY BAGS

Manufacturer	Appliance	Order No.	Quantity	List Price p	
Welland Medical Ltd	pre-cut				
	25mm	FLC 525	30	6944	
	29mm	FLC 529	30	6944	
	32mm	FLC 532	30	6944	
	35mm	FLC 535	30	6823	
	38mm	FLC 538	30	6944	
	44mm	FLC 544	30	6944	
	Closed pouch with clear odour barrier film on both sides and a white polyethylene soft back layer on the flange side.				
	Medium 13mm starter hole (cuts to 60mm)				
			FMC 713	30	6944
	Large 13mm starter hole (cuts to 60mm)				
			FLC 713	30	6944
	pre-cut				
	25mm	FLC 725	30	6823	
	29mm	FLC 729	30	6823	
	32mm	FLC 732	30	6823	
	35mm	FLC 735	30	6823	
	38mm	FLC 738	30	6823	
	44mm	FLC 744	30	6823	
	Closed pouch with integral convexity with soft backing				
	Beige soft backing to both sides				
	Medium 13mm starter hole (cuts to 35mm)				
			NCM 513	10	2621
	pre-cut				
	25mm	NCM 525	10	2621	
	29mm	NCM 529	10	2621	
	32mm	NCM 532	10	2621	
	35mm	NCM 535	10	2621	
	Large 13mm starter hole (cuts to 48mm)				
			NCL 513	10	2621
	pre-cut				
	35mm	NCL 535	10	2621	
	38mm	NCL 538	10	2621	
44mm	NCL 544	10	2621		
Clear with white soft backing on flange side					
Medium 13mm starter hole (cuts to 35mm)					
		NCM 713	10	2621	
Large 13mm starter hole (cuts to 48mm)					
		NCL 713	10	2621	
Welland FreeStyle Flushable Colostomy Pouches (incorporating Dual-Carb Filter)					
Seam welded closed pouch with softback layer on both sides, a hydrocolloid wafer and an inner collection pouch which is toilet disposable					
Medium					
19mm	FFM 519	30	7975		
25mm	FFM 525	30	7975		
29mm	FFM 529	30	7975		
32mm	FFM 532	30	7975		
35mm	FFM 535	30	7975		
38mm	FFM 538	30	7975		
44mm	FFM 544	30	7975		
Large					
19mm	FFL 519	30	7975		
25mm	FFL 525	30	7975		
29mm	FFL 529	30	7975		
32mm	FFL 532	30	7975		
35mm	FFL 535	30	7975		
38mm	FFL 538	30	7975		
44mm	FFL 544	30	7975		

IXC

STOMA APPLIANCES

COLOSTOMY BAGS

Manufacturer	Appliance	Order No.	Quantity	List Price p
Welland Medical Ltd	Welland FreeStyle Oval Colostomy Pouches with soft backing			
	Beige	starter hole 13mm	FCV 513	30 6918
	Clear	starter hole 13mm	FCV 713	30 6918
	Welland Impact Colostomy Bags with Toilet disposable liner and soft backing			
	Mini			
	Beige	19mm	IMP 219	30 5743
		25mm	IMP 225	30 5743
		29mm	IMP 229	30 5743
		32mm	IMP 232	30 5743
		35mm	IMP 235	30 5743
		38mm	IMP 238	30 5743
		44mm	IMP 244	30 5743
		51mm	IMP 251	30 5743
	Standard			
	Beige	19mm	IMP 919	30 6989
		25mm	IMP 925	30 6989
		29mm	IMP 929	30 6989
		32mm	IMP 932	30 6989
		35mm	IMP 935	30 6989
		38mm	IMP 938	30 6989
		44mm	IMP 944	30 6989
		51mm	IMP 951	30 6989
	Maxi			
Beige	19mm	IMP 319	30 6989	
	25mm	IMP 325	30 6989	
	29mm	IMP 329	30 6989	
	32mm	IMP 332	30 6989	
	35mm	IMP 335	30 6989	
	38mm	IMP 338	30 6989	
	44mm	IMP 344	30 6989	
	51mm	IMP 351	30 6989	
Welland Ovation Closed Pouch with oval skin protector.				
Clear				
	starter hole 10mm	FCO 710	30 7018	
Beige				
	starter hole 10mm	FCO 910	30 7018	

STOMA APPLIANCES**COLOSTOMY SETS**

Manufacturer	Appliance	Order No.	Quantity	List Price p
Mentor Medical Ltd	Chiron Appliances Adhesive model with spout bag			
	MK I	WE001-38-W	1	7619
	MK III	WE007-38-X	1	7619
Omex Medical Ltd	Schacht Odourproof Colostomy Appliance	785466	1	2955
T J Shannon Ltd	Easychange Colostomy Appliance 27mm, 40mm, 57mm		1	492
	Colostomy Outfit	TJS 948A	1	8301
	Colostomy Outfit	TJS 948NA	1	8038
	Colostomy Outfit	TJS 948T	1	4401
	Adhesive Appliance	TJS 948B	1	5360
A H Shaw & Partners Ltd	Complete Colostomy outfit comprising of a 102mm wide elastic web belt with groin-strap 660mm, 715mm etc. to 107cm, 1 Colostomy facepiece (flange), 100 Colostomy bags 280mm x 154mm	NSI 6	1	4341
	Complete Colostomy outfit comprising of an adjustable 102mm wide elastic web belt with groin-strap 660mm, 715mm etc. to 107cm, 1 Colostomy facepiece, 100 Colostomy bags 280mm x 154mm	NSI 8	1	4741

IXC

STOMA APPLIANCES

DEODORANTS

Manufacturer	Appliance	Order No.	Quantity	List Price p
Adams Healthcare	Atmocol Pocket Spray	785911	25ml	205
Alphamed Ltd - see Opus Healthcare Ltd				
Anglo Venture 2000 Ltd	Friends Ostomy Deodorant Spray			
	Cinnamon	012345	75ml	355
	Victorian Rose	012346	75ml	355
	Lemon	012347	75ml	355
C S Bullen	Shelter Deodorant	520	125ml	321
	Shelter Deodorant Sachet	530	50	975
CliniMed Ltd Essentials Accessories	LiMone Ostomy Deodorant Spray	3905	50ml	473
Coloplast Ltd	Coloplast OAD	1523	36ml	463
	Ostobon Deodorising Powder Tube	4750	22g	463
Dansac Ltd	Nodor S	080-00	50ml	405
		080-01	250ml	828
Hollister Ltd	Adapt Lubricating Deodorant	78500	236ml	880
	Adapt Lubricating Deodorant Sachet	78501	50	1250
Loxley Products	Day-drop	LL04	7.5ml	109
		LL05	15ml	181
		LL06	30ml	309
	Lemon Day-drop	LL07	7.5ml	109
		LL08	15ml	181
	Lemon Day-drop Spray	LL010	50ml	345
Mentor Medical Ltd	Chironair Odour Control Liquid	WN003-01-F	110ml	638
Opus Healthcare (formerly AlphaMed Ltd)	NaturCare	1100	50ml	382
	NaturCare Fragrant	1101	50ml	376
	NaturCare Zest	1102	50ml	376
	NaturCare Breeze	1103	50ml	376
OstoMart	OstoMIST Odour Neutralising Spray Grapefruit	DWR1	100ml	744
		DWR2	50ml	382
	Apple	DPA1	100ml	744
		DPA2	50ml	382
Pelican Healthcare Ltd	Dor Pouch Deodorant	130103	7ml	209
	Citrus Fresh Pouch Deodorant Spray	2200	50ml	389
Rüsch UK	Translet			
	Plus One Male	703001	7ml	314
	Plus Two Female	703002	7ml	314
Salts Healthcare	Noroma	833021	28ml	264 △
		833056	227ml	860 △
	Fresh Aire	FA1	50ml	375
T J Shannon	Colostomy Plus		7ml	298

STOMA APPLIANCES**DEODORANTS**

Manufacturer	Appliance	Order No.	Quantity	List Price p
A H Shaw & Partners Ltd	Forest Breeze	NSI 61	14ml	371
UCI Healthcare Ltd	Auricare Faecal Odour Eliminator	ACD125	125ml	890

DISCHARGE SOLIDIFYING AGENTS

Manufacturer	Appliance	Order No.	Quantity	List Price p
B.Braun Medical	Ileo Gel Tablets	005010	30	900
C S Bullen Ltd	Absorbian Sachet	UFAS-01	30	750
	Absorbian Sachet Plus	UFAS-02	30	750
	Absorbian Wand	UFAS-03	60	1500
CliniMed Ltd Essentials Accessories	Morform Sachet	3837	60	1800
Oakmed Ltd	Gel-X Capsules		140	1400
OstoMart	OstoSORB 3g sachets	PFW5	30	900
ProSys International Ltd	ProSys Absorbent Strips	P100AS	100	950

IXC

STOMA APPLIANCES**FILTERS/BRIDGES**

Manufacturer	Appliance	Order No.	Quantity	List Price p
AlphaMed Ltd - see Opus Healthcare				
B. Braun Medical	Biotrol Flatus Filters	35-500	50	1310
Coloplast Ltd	Filtrodor Filters	0509	50	2160
	Maclet Filter Washers	0502	20	3052
Cuxson Gerrard	Flatus Patches T33 3.8cm x 3.8cm	FLA 830	50	353
Hollister Ltd	Replacement Filter elements for series 366 drainable bags	7766	20	330
			100	1623
Mentor Medical Ltd	Doublesure Flatus Filter (pack)	WJ130-11-N	10	385
	Stoma Bridge	32-298-07	20	345
	Spare filters for Beta & Omni range	32-297-34	20	812
	Spare filters for Mirage drainable pouches	32-560-20	20	445
Opus Healthcare Ltd (formerly AlphaMed Ltd)	ClearWay Stoma Bridge	7700	30	949
	ClearWay Stoma Bridge Mini	8800	30	949
Salts Healthcare	Metal Bridges- for use with other disposable bags	833053	30	1516 △

STOMA APPLIANCES

FLANGES

Manufacturer	Appliance	Order No.	Quantity	List Price p
C S Bullen Ltd	Lenbul			
	25mm diameter 51mm base	UF 24	1	934
	38mm diameter 76mm base	UF 25	1	1421
	51mm diameter 102mm base	UF 26	1	1658
Coloplast Ltd	St Mark's Flange with Inner Cuff			
	25mm diam, 16mm deep			
	76mm base	781704	1	1440
	32mm diam, 16mm deep			
	76mm base	781705	1	1440
	35mm diam, 16mm deep			
	100mm base	781706	1	1440
	38mm diam, 16mm deep			
	100mm base	781707	1	1440
Jade-Euro-Med Ltd	45mm diam, 16mm deep			
	100mm base	781708	1	1440
	50mm diam, 16mm deep			
	100mm base	781709	1	1440
	Colostomy flange St Mark's pattern, state size	KM54	1	1459
	Colostomy flange St Mark's pattern with diaphragm, state size	KM55	1	1459
Manufacturer	Appliance	Order No.	Quantity	List Price p
Mentor Medical Ltd	Chiron Flanges,			
	38mm int diam,			
	10mm deep	WK102-38-K	1	1789
	32mm 16mm deep	WK104-32-F	1	1789
	38mm 16mm deep	WK104-38-T	1	1789
	Rubber Flange			
	38mm int diam, 16mm deep	WK108-38-L	1	1789
	St Mark's Pattern Flanges			
	25mm diam, 13mm deep			
	51mm base	WK111-25-B	1	1524
	76mm base	WK113-25-K	1	1524
	32mm diam, 10mm deep			
	76mm base	WK115-32-Q	1	1524
	32mm diam, 16mm deep			
	76mm base	WK117-32-Y	1	1524
38mm diam, 10mm deep				
76mm base	WK119-38-V	1	1524	
38mm diam, 16mm deep				
76mm base	WK121-38-R	1	1524	

IXC

STOMA APPLIANCES**FLANGES**

Manufacturer	Appliance	Order No.	Quantity	List Price p
Mentor Medical Ltd	St Mark's Pattern Flanges			
	44mm diam, 16mm deep 102mm base	WK123-44-U	1	1524
	51mm diam, 16mm deep 102mm base	WK125-51-A	1	1524
	38mm with dressing retainer	WK126-01-N	1	1924
	38mm with 16mm canopy	WK126-02-Q	1	1924
	Flanges all Blue Rubber			
	25mm int diam, 13mm deep, 51mm base	WK132-25-R	1	1619
	38mm int diam, 10mm deep, 76mm base	WK135-38-P	1	1619
	38mm int diam, 16mm deep, 76mm base	WK138-38-C	1	1619
	Flanges Blue and Brown			
	25mm int diam, 13mm deep, 76mm base	WK141-25-S	1	2349
	38mm int diam, 10mm deep, 76mm base	WK144-38-Q	1	2349
	38mm int diam, 16mm deep, 76mm base	WK147-38-D	1	2349
	Rubber Flanges, double base hole 38mm int diam	WK160-38-J	1	2371
	Redifit belt flange			
	25mm	WL124-01-25	1	72
	32mm	WL124-01-32	1	72
	38mm	WL124-01-38	1	72
	44mm	WL124-01-44	1	72
	51mm	WL124-01-51	1	72
64mm	WL124-01-64	1	72	
75mm	WL124-01-75	1	72	
Omex Medical Ltd	Schacht Colo Flanges and Locking Rings	784583	1	540
	Schacht Ileo Flanges and Locking Rings	784575	1	540

STOMA APPLIANCES**FLANGES**

Manufacturer	Appliance	Order No.	Quantity	List Price p
Rüsch UK	St Mark's Flanges made in two Rubbers with Hard Centre			
	22mm int diam, 16mm deep, 76mm base	LM 841101	2	3657
	32mm int diam, 16mm deep, 76mm base	LM 841103	2	3657
	32mm int diam, 10mm deep, 76mm base	LM 841104	2	3657
	38mm int diam, 16mm deep, 76mm base	LM 841105	2	3657
	38mm int diam, 10mm deep, 76mm base	LM 841106	2	3657
	44mm int diam, 16mm deep, 102mm base	LM 841107	2	3657
	25mm int diam, 13mm deep, 76mm base	LM 841110	2	3657
	51mm int diam, 16mm deep, 102mm base	LM 841109	2	3657
	St Mark's Flanges made in Soft Honey Coloured Rubber			
	25mm int diam, 13mm deep, 51mm base	LM 842101	2	2133
	32mm int diam, 16mm deep, 76mm base	LM 842103	2	2133
	32mm int diam, 10mm deep, 76mm base	LM 842104	2	2133
	38mm int diam, 16mm deep, 76mm base	LM 842105	2	2133
	38mm int diam, 10mm deep, 76mm base	LM 842106	2	2133
	44mm int diam, 16mm deep, 102mm base	LM 842107	2	2133
	51mm int diam, 16mm deep, 102mm base	LM 842109	2	2133
	25mm int diam, 13mm deep, 76mm base	LM 842111	2	2133
	Any of the above Flanges are available with a Diaphragm, or Cowl, or Dressing Retainer at the extra cost of:			324

IXC

STOMA APPLIANCES

FLANGES

Manufacturer	Appliance	Order No.	Quantity	List Price p
Rüsch UK	St Mark's Flanges, Black Firm Rubber 22mm int diam, 13mm deep, 51mm base	LM 843101	2	2441
	32mm int diam, 16mm deep, 76mm base	LM 843103	2	2441
	32mm int diam, 10mm deep, 76mm base	LM 843104	2	2441
	38mm int diam, 16mm deep, 76mm base	LM 843105	2	2441
	38mm int diam, 10mm deep, 76mm base	LM 843106	2	2441
	44mm int diam, 16mm deep, 102mm base	LM 843107	2	2441
	51mm int diam, 16mm deep, 102mm base	LM 843109	2	2441
	Birkbeck Flanges, White Rubber 20mm int diam, 16mm deep, 75mm base	LM 722019	2	2441
	38mm int diam, 16mm deep, 90mm base	LM 722038	2	2441
	+ 58mm int diam, 16mm deep, 110mm base	LM 722054	2	2441

+ to be deleted 1 March 2005

Manufacturer	Appliance	Order No.	Quantity	List Price p
Salts Healthcare	Latex Foam Diaphragm with Rigid Face Piece Flanges 38mm	811002	1	4571 △
	Latex Sheath for use with 811002 Flanges	811003	1	760 △
	SF1 Soft Rubber Flanges 25mm	822001	1	806 △
	SF4 Soft Rubber Flange 38mm	822004	1	818 △
	SF5 Semi-Rigid Flange 38mm	822005	1	1402 △
	SF6 Semi-Rigid Hard Rubber Flange 38mm	822006	1	935 △
	SF8R Flexible (recessed) Flange 32mm	822008	1	1294 △
	+ Baby Flange with Diaphragm 19mm	822009	1	1071 △

+to be deleted 1 March 2005

A H Shaw & Partners Ltd	Rubber Adhesive Flange	NSI 1	1	656
	Rubber Non-Stick Flange	NSI 2	1	794
	Adhesive Flange & Diaphragm	NSI 3	1	1033
	Colostomy facepiece rubber-foam face, hole diameter 45mm, 65mm, 77mm	NSI 9	1	1201
Ward Surgical Appliance Co	Plastic/Rubber airfilled Flange	WM 88		1784
	St Mark's standard flange	WM 100		1174
	St Mark's flange with diaphragm	WM 101		1435

STOMA APPLIANCES

ILEOSTOMY (DRAINABLE) BAGS

Manufacturer	Appliance	Order No.	Quantity	List Price p
B. Braun Medical	Biotrol			
	Elite bag with skin protector adhesive and fabric backing			
	Beige			
	starter hole	38-810	30	7710
	20mm	38-820	30	7710
	25mm	38-825	30	7710
	30mm	38-830	30	7710
	35mm	38-835	30	7710
	40mm	38-840	30	7710
	45mm	38-845	30	7710
	50mm	38-850	30	7710
	60mm	38-860	30	7710
	70mm	38-870	30	7710
	Transparent			
	starter hole	31-810	30	7273
	20mm	31-820	30	7141
	25mm	31-825	30	7141
	30mm	31-830	30	7141
	35mm	31-835	30	7141
	40mm	31-840	30	7141
	45mm	31-845	30	7141
	50mm	31-850	30	7141
	60mm	31-860	30	7141
	70mm	31-870	30	7141
	White			
	starter hole	34-815	30	7710
	20mm	34-820	30	7710
	25mm	34-825	30	7710
	30mm	34-830	30	7710
	35mm	34-835	30	7710
	40mm	34-840	30	7710
	45mm	34-845	30	7710
	50mm	34-850	30	7710
	60mm	34-860	30	7710
	70mm	34-870	30	7710
	Elite Petite bag with skin protector adhesive and fabric backing			
	Beige			
	starter hole	37-710	30	6615
	25mm	37-725	30	6615
	30mm	37-730	30	6615
	35mm	37-735	30	6615
	40mm	37-740	30	6615
	45mm	37-745	30	6615

IXC

STOMA APPLIANCES

ILEOSTOMY (DRAINABLE) BAGS

Manufacturer	Appliance	Order No.	Quantity	List Price p
B. Braun Medical	Biotrol			
	Ileo S Bag with skin protector			
	White starter hole	32-715	30	7710
	20mm	32-720	30	7710
	25mm	32-725	30	7710
	30mm	32-730	30	7710
	35mm	32-735	30	7710
	40mm	32-740	30	7710
	45mm	32-745	30	7710
	50mm	32-750	30	7710
	60mm	32-760	30	7710
	70mm	32-770	30	7710
	Post-op Bag			
	Clear Small	32-210	30	8033
	Large	32-215	30	11283
	Preference Bag with skin protector, microporous adhesive and fabric backing			
	Beige starter hole	34-615	30	7710
	20mm	34-620	30	7710
	25mm	34-625	30	7710
	30mm	34-630	30	7710
	35mm	34-635	30	7710
	40mm	34-640	30	7710
	45mm	34-645	30	7710
	50mm	34-650	30	7710
	60mm	34-660	30	7710
	Almays bag with Interface adhesive and all over, soft non-woven cover.			
	Transparent starter hole	77-015	30	6969
	Beige starter hole	77-115	30	6969
	25mm	77-025	30	6969
	30mm	77-030	30	6969
	35mm	77-035	30	6969
	40mm	77-040	30	6969
	45mm	77-045	30	6969
	50mm	77-050	30	6969
	60mm	77-060	30	6969
	Almays Optima Drainable bag with all over soft non-woven cover			
	Transparent starter hole	F018710E	30	6715
	Beige starter hole	F008710E	30	6715
	25mm	F008725E	30	6715
	30mm	F008730E	30	6715
	35mm	F008735E	30	6715
	40mm	F008740E	30	6715
	45mm	F008745E	30	6715
	50mm	F008750E	30	6715
	60mm	F008760E	30	6715

STOMA APPLIANCES

ILEOSTOMY (DRAINABLE) BAGS

Manufacturer	Appliance	Order No.	Quantity	List Price p
B. Braun Medical	Biotrol			
	Almarys Optima Mini Drainable bag with all over soft non woven cover			
	Beige			
	20mm	F008820E	30	6245
	25mm	F008825E	30	6245
	30mm	F008830E	30	6245
	35mm	F008835E	30	6245
	40mm	F008840E	30	6245
	Almarys Optima Drainable bag with filter and soft cover			
	Transparent			
	starter hole 10mm	F019510E	30	6599
	Beige			
	starter hole 10mm	F009510E	30	6599
	25mm	F009525E	30	6599
	30mm	F009530E	30	6599
	35mm	F009535E	30	6599
	40mm	F009540E	30	6599
	45mm	F009545E	30	6599
	50mm	F009550E	30	6599
	60mm	F009560E	30	6599
	Almarys Preference Drainable bag with skin protector and microporous adhesive and all over soft non-woven cover			
	Transparent			
	starter hole 10mm	F018410E	30	6715
	Beige			
	starter hole 10mm	F008410E	30	6715
	Softima drainable pouch with filter, skin protector, protective cover and "Flow Control" soft outlet			
	Beige			
	cut-to-fit			
	16-60mm	043716E	30	8447
	pre-cut			
	24mm	043724E	30	8447
	28mm	043728E	30	8447
	32mm	043732E	30	8447
	36mm	043736E	30	8447
	40mm	043740E	30	8447
	45mm	043745E	30	8447
	Transparent			
	cut-to-fit			
	16-60mm	043816E	30	8447

IXC

STOMA APPLIANCES

ILEOSTOMY (DRAINABLE) BAGS

Manufacturer	Appliance	Order No.	Quantity	List Price p
C S Bullen Ltd	Lenbul			
	With screw outlet			
	Day Bag	F5	1	1321
	Night Bag	F6	1	1455
	Shelter Drainable Pouch			
	Bio dressing, resin			
	Beige			
	cut-to-fit 13mm-64mm	3250/00	15	2540
	13mm-80mm	3450/00	15	2555
	pre-cut 19mm	3250/19	15	2540
	25mm	3250/25	15	2540
	32mm	3250/32	15	2540
	38mm	3250/38	15	2540
	44mm	3250/44	15	2540
	51mm	3250/51	15	2540
	58mm	3250/58	15	2540
	64mm	3250/64	15	2540
	Clear Infant			
	cut-to-fit 8mm-51mm	3350/00	15	2540
	Newborn			
	cut-to-fit 8mm-25mm	3550/00	15	2540
	Microporous adhesive, bio dressing resin			
	Beige			
	cut-to-fit 13mm-64mm	3245/00	15	2440
	19mm-50mm	3445/00	15	2795
	pre-cut 19mm	3245/19	15	2440
	25mm	3245/25	15	2440
	32mm	3245/32	15	2440
	38mm	3245/38	15	2440
	44mm	3245/44	15	2440
	51mm	3245/51	15	2440
	58mm	3245/58	15	2440
	64mm	3245/64	15	2440
	Pouch with 2 openings Microporous adhesive, bio dressing resin			
	Beige			
	cut-to-fit 13mm-64mm	4102/00	15	2780
	pre-cut 19mm	4102/19	15	2780
	25mm	4102/25	15	2780
	32mm	4102/32	15	2780
	38mm	4102/38	15	2780
	44mm	4102/44	15	2780
	51mm	4102/51	15	2780
	57mm	4102/57	15	2780
	64mm	4102/64	15	2780
	Shelter Drainable Pouch Microporous adhesive			
	Clear			
	cut-to-fit 13-64mm	3200/00	15	2780
	pre-cut 19mm	3200/19	15	2780
	25mm	3200/25	15	2780
	32mm	3200/32	15	2780
	38mm	3200/38	15	2780
	44mm	3200/44	15	2780
	51mm	3200/51	15	2780
	58mm	3200/58	15	2780
	64mm	3200/64	15	2780

STOMA APPLIANCES

ILEOSTOMY (DRAINABLE) BAGS

Manufacturer	Appliance	Order No.	Quantity	List Price p
Coloplast Ltd	Assura Inspire Drainable Bag with Integral Filter and Soft Backing			
	Mini Transparent			
	starter hole 10-55mm	13300	30	7290
	Midi Transparent			
	starter hole 10-55mm	13330	30	7290
	pre-cut 25mm	13334	30	7164
	30mm	13335	30	7164
	35mm	13336	30	7164
	Maxi Transparent			
	starter hole 10-70mm	13360	30	7290
	pre-cut 25mm	13364	30	7164
	30mm	13365	30	7164
	35mm	13366	30	7164
	Inspire Drainable Bag with Integral Filter and Opaque Soft Cover Front and Back			
	Mini Soft Cover			
	starter hole 10-55mm	13310	30	7290
	Midi Soft Cover			
	starter hole 10-55mm	13340	30	7290
	ready cut 25mm	13344	30	7290
	30mm	13345	30	7290
	35mm	13346	30	7290
	Maxi Soft Cover			
	starter hole 10-70mm	13370	30	7290
	pre-cut 25mm	13374	30	7164
	30mm	13375	30	7164
	35mm	13376	30	7164
	Inspire Drainable Bag with Integral Filter and Soft Cover Front and Back			
	Mini Design			
	starter hole 10-55mm	13320	30	7290
	Midi Design			
	starter hole 10-55mm	13350	30	7290
	pre-cut 25mm	13354	30	7164
	30mm	13355	30	7164
	35mm	13356	30	7164
	Maxi Design			
	starter hole 10-70mm	13380	30	7290
	pre-cut 25mm	13384	30	7164
	30mm	13385	30	7164
	35mm	13386	30	7164

IXC

STOMA APPLIANCES

ILEOSTOMY (DRAINABLE) BAGS

Manufacturer	Appliance	Order No.	Quantity	List Price p
Coloplast Ltd	Assura Drainable Bag with soft backing			
	Mini Opaque			
	starter hole 10mm	2400	30	7419
	Midi Clear			
	starter hole 10mm	2450	30	7419
	25mm	2454	30	7419
	30mm	2455	30	7419
	35mm	2456	30	7419
	40mm	2457	30	7419
	Midi Opaque			
	starter hole 10mm	2440	30	7419
	25mm	2444	30	7419
	30mm	2445	30	7419
	35mm	2446	30	7419
	40mm	2447	30	7419
	Maxi Clear			
	starter hole 10mm	2490	30	7419
	25mm	2494	30	7419
	30mm	2495	30	7419
	35mm	2496	30	7419
	40mm	2497	30	7419
	Maxi Opaque			
	starter hole 10mm	2520	30	7419
	25mm	2524	30	7419
	30mm	2525	30	7419
	35mm	2526	30	7419
	40mm	2527	30	7419
	Inspire Drainable Bag with Integral Filter and Soft Cover Front and Back.			
	Paediatric Clear			
	starter hole 10-35mm	2115	30	6303
	Paediatric Opaque			
	starter hole 10-35mm	2110	30	6303
	Large Post-Op for high output Clear			
	starter hole 10-70mm	12805	10	2780
	Drainable Bag with opaque Soft Cover front and back			
	Mini			
	starter hole 10-55mm	12400	30	7419
	Midi			
	starter hole 10-55mm	12440	30	7419
	pre-cut 25mm	12444	30	7419
	30mm	12445	30	7419
	35mm	12446	30	7419
	40mm	12447	30	7419
	45mm	12448	30	7419
	50mm	12449	30	7419
	Maxi			
	starter hole 10-70mm	12490	30	7419

STOMA APPLIANCES

ILEOSTOMY (DRAINABLE) BAGS

Manufacturer	Appliance	Order No.	Quantity	List Price p
Coloplast Ltd	Assura Seal Integral Convexity Drainable Bags with Soft Backing			
	Important: This product with Integral Convexity should only be used after prior assessment of suitability by an appropriate medical professional.			
	Maxi Clear			
	21mm	12953	10	2517
	25mm	12954	10	2517
	28mm	12955	10	2517
	31mm	12956	10	2517
	35mm	12957	10	2517
	38mm	12958	10	2517
	41mm	12959	10	2517
	Maxi Opaque			
	starter hole			
	15-33mm	12582	10	2517
	15-43mm	12583	10	2517
	Maxi Opaque			
	18mm	12962	10	2517
	21mm	12963	10	2517
	25mm	12964	10	2517
	28mm	12965	10	2517
	31mm	12966	10	2517
	35mm	12967	10	2517
	38mm	12968	10	2517
	41mm	12969	10	2517
	Assura Inspire Seal Integral Convexity Drainable Bags with integral filter and Soft Backing with Hide-away outlet.			
	Important: This product with Integral Convexity should only be used after prior assessment of suitability by an appropriate medical professional.			
	Maxi Transparent			
	starter hole			
	15-33mm	14102	10	2710
	15-43mm	14103	10	2710
	pre-cut			
	21mm	14163	10	2710
	25mm	14164	10	2710
	28mm	14165	10	2710
	31mm	14166	10	2710
	Assura Inspire Seal Integral Convexity Drainable Bags with integral filter, opaque Soft Cover Front and Back with Hide-away outlet.			
	Important: This product with Integral Convexity should only be used after prior assessment of suitability by an appropriate medical professional.			
	Midi Soft Cover			
	starter hole			
	15-33mm	14195	10	2710
	15-43mm	14196	10	2710
	Maxi Soft Cover			
	starter hole			
	15-33mm	14105	10	2710
	15-43mm	14106	10	2710
	pre-cut			
	21mm	14173	10	2710
	25mm	14174	10	2710
	28mm	14175	10	2710
	31mm	14176	10	2710
	Maxi Design			
	starter hole			
	15-33mm	14108	10	2721
	15-43mm	14109	10	2721

IXC

STOMA APPLIANCES

ILEOSTOMY (DRAINABLE) BAGS

Manufacturer	Appliance	Order No.	Quantity	List Price p
Coloplast Ltd	Assura Inspire Drainable Bag with Integral Filter, opaque Soft Cover Front and Back with Hide-away outlet			
	Mini Opaque			
	starter hole 12-55mm	13810	30	8298
	Midi Opaque			
	starter hole 12-55mm	13840	30	8298
	pre-cut 25mm	13844	30	8298
	pre-cut 30mm	13845	30	8298
	pre-cut 35mm	13846	30	8298
	Maxi Opaque			
	starter hole 12-70mm	13870	30	8298
	pre-cut 25mm	13874	30	8298
	pre-cut 30mm	13875	30	8298
	pre-cut 35mm	13876	30	8298
	Assura Inspire Drainable Bag with Integral Filter, Soft Backing with Hide-away outlet			
	Midi Transparent			
	starter hole 12-55mm	13830	30	8298
	Maxi Transparent			
	starter hole 12-70mm	13860	30	8298
	Assura Inspire Drainable Bag with Integral Filter, opaque design Soft Cover Front and Back with Hide-away outlet			
	Midi Design			
	starter hole 12-55mm	13850	30	8298
	Maxi Design			
	starter hole 12-70mm	13880	30	8331
	Assura Inspire Soft Seal Drainable bags with Hide-Away outlet			
	Important: This product with Integral Convexity should only be used after prior assessment of suitability by an appropriate medical professional.			
	Midi Soft Cover			
	starter hole 15-33mm	14404	10	4010
	15-43mm	14405	10	4010
	Maxi Soft Cover			
	starter hole 15-33mm	14414	10	4010
	15-43mm	14415	10	4010
	Maxi Soft Cover			
	pre-cut 21mm	14421	10	4010
	25mm	14422	10	4010
	28mm	14423	10	4010
	31mm	14424	10	4010
	Maxi Design			
	starter hole 15-33mm	14417	10	4010
	15-43mm	14418	10	4010
	Maxi Transparent			
	starter hole 15-33mm	14411	10	4010
	15-43mm	14412	10	4010

STOMA APPLIANCES**ILEOSTOMY (DRAINABLE) BAGS**

Manufacturer	Appliance	Order No.	Quantity	List Price p
Coloplast Ltd	Ileo B			
	Clear 22mm	0401	100	18950
	Decorated White 20mm	0405	100	18950
	Mini Decorated White 20mm	0404	100	18830
	MC 2000			
	Clear 20mm	5920	30	8355
	25mm	5925	30	8355
	30mm	5930	30	8355
	35mm	5935	30	8355
	40mm	5940	30	8355
	45mm	5945	30	8355
	50mm	5950	30	8355
	55mm	5955	30	8355
	60mm	5960	30	8355
	Opaque 25mm	6325	30	8355
	30mm	6330	30	8355
	35mm	6335	30	8355
	40mm	6340	30	8358
	45mm	6345	30	8358
	Large Open Adjustable 10mm-80mm	6100	30	8355
	Mini Opaque 20mm	5820	30	7887
	25mm	5825	30	7887
	30mm	5830	30	7887
	35mm	5835	30	7887
	40mm	5840	30	7887
	PC 3000			
	Clear 20mm	8520	30	7632
	25mm	8525	30	7632
	30mm	8530	30	7632
	35mm	8535	30	7632
	40mm	8540	30	7634
	45mm	8545	30	7632
	50mm	8550	30	7632
	Opaque 20mm	8620	30	7632
	25mm	8625	30	7632
	30mm	8630	30	7632
	35mm	8635	30	7632
	40mm	8640	30	7632
	Mini starter hole 15mm	8980	30	6912
	20mm	8981	30	6912
	30mm	8983	30	6912

IXC

STOMA APPLIANCES

ILEOSTOMY (DRAINABLE) BAGS

Manufacturer	Appliance	Order No.	Quantity	List Price p
ConvaTec Ltd	Esteem Drainable Pouches with Integral Filter and InvisiClose Outlet			
	Medium - Opaque			
	cut-to-fit 20-70mm	S5079	30	8200
	pre-cut 25mm	S5080	30	8200
	30mm	S5081	30	8200
	35mm	S5082	30	8200
	40mm	S5083	30	8200
	50mm	S5084	30	8200
	Small - Opaque			
	cut-to-fit 20-50mm	S5072	30	8200
	pre-cut 25mm	S5073	30	8200
	30mm	S5074	30	8200
	35mm	S5075	30	8200
	40mm	S5076	30	8200
	50mm	S5077	30	8200
	Medium - Transparent			
	cut-to-fit 20-70mm	S5078	30	8200
	Small - Transparent			
	cut-to-fit 20-50mm	S5071	30	8200
	Esteem Drainable Pouches with Integral Filter			
	Small - clear			
	starter hole 20mm	S5040	10	2065
	Small - opaque			
	starter hole 20mm	S5041	10	2065
	pre-cut 25mm	S5042	10	2065
	30mm	S5043	10	2065
	35mm	S5046	10	2030
	40mm	S5044	10	2065
	50mm	S5045	10	2065
	Medium - clear			
	starter hole 20mm	S5047	10	2295
	Medium - opaque			
	starter hole 20mm	S5048	10	2295
	pre-cut 25mm	S5049	10	2295
	30mm	S5050	10	2295
	35mm	S5054	10	2255
	40mm	S5051	10	2295
	50mm	S5052	10	2295
	60mm	S5053	10	2295
	Large - clear			
	starter hole 20mm	S5055	10	2295
	pre-cut 25mm	S5056	10	2295
	30mm	S5057	10	2295
	35mm	S5069	10	2255
	40mm	S5058	10	2295
	50mm	S5059	10	2295
	60mm	S5060	10	2295
	70mm	S5061	10	2295
	Large - opaque			
	starter hole 20mm	S5062	10	2295
	pre-cut 25mm	S5063	10	2295
	30mm	S5064	10	2295
	35mm	S5070	10	2255
	40mm	S5065	10	2295
	50mm	S5066	10	2295
	60mm	S5067	10	2295
	70mm	S5068	10	2295

STOMA APPLIANCES**ILEOSTOMY (DRAINABLE) BAGS**

Manufacturer	Appliance	Order No.	Quantity	List Price p
Conva Tec Ltd	Ileodress Pouches			
	Small Size			
	Opaque 19mm starter hole	S851	10	2418
	25mm starter hole	S852	10	2418
	32mm starter hole	S853	10	2418
	38mm starter hole	S855	10	2418
	45mm starter hole	S856	10	2418
	50mm starter hole	S857	10	2418
	64mm starter hole	S860	10	2418
	Standard Size			
	Clear 19mm starter hole	S841	10	2446
	38mm precut	S845	10	2446
	45mm precut	S846	10	2446
	50mm precut	S847	10	2446
	64mm precut	S850	10	2446
	Standard Size			
	Opaque 19mm starter hole	S831	10	2446
	25mm precut	S832	10	2446
	32mm precut	S833	10	2446
	38mm precut	S835	10	2446
	45mm precut	S836	10	2446
	50mm precut	S837	10	2446
	64mm precut	S840	10	2446
	Ileodress Plus			
	- with modified Stomahesive wafer, perforated plastic backing and beige clip pouches			
	Standard Size			
	Clear 19mm starter hole	S420	10	2446
	38mm pre-cut	S423	10	2446
	45mm pre-cut	S424	10	2446
	50mm pre-cut	S425	10	2446
	64mm pre-cut	S426	10	2446
	Opaque 19mm starter hole	S411	10	2446
	25mm pre-cut	S412	10	2446
	32mm pre-cut	S413	10	2446
	38mm pre-cut	S414	10	2446
	45mm pre-cut	S415	10	2446
	50mm pre-cut	S416	10	2446
	64mm pre-cut	S417	10	2446
	Small Size			
	Opaque 19mm starter hole	S430	10	2160
	25mm	S431	10	2160
	32mm	S432	10	2160
	38mm	S433	10	2160
	45mm	S434	10	2160
	50mm	S436	10	2160
	Little-Ones			
	Mini Size			
	8mm starter hole	S880	15	3365
	Stomadress Pouches			
	Clear			
	8mm starter hole	S439	10	2379

IXC

STOMA APPLIANCES

ILEOSTOMY (DRAINABLE) BAGS

Manufacturer	Appliance	Order No.	Quantity	List Price p	
Dansac Ltd	Invent Drainable with filter, soft spunlace material on both sides anatomically shaped				
	Opaque cut-to-fit pre-cut				
	15-60mm	339-15	30	7122	
	20mm	339-20	30	7122	
	25mm	339-25	30	7122	
	30mm	339-30	30	7122	
	35mm	339-35	30	7122	
	40mm	339-40	30	7122	
	45mm	339-45	30	7122	
	50mm	339-50	30	7122	
	InVent Mini Drainable with filter, soft spunlace material on both sides, anatomically shaped				
	Opaque cut-to-fit pre-cut				
	15-50mm	335-15	30	7004	
	20mm	335-20	30	7004	
	25mm	335-25	30	7004	
	30mm	335-30	30	7004	
	35mm	335-35	30	7004	
	InVent Symmetrical Drainable with filter, soft spunlace cover front and back (opaque) and back only (clear), symmetrically shaped				
	Clear cut-to-fit pre-cut				
	15-60mm	338-15	30	6992	
	20mm diam	338-20	30	6992	
	25mm diam	338-25	30	6992	
	30mm diam	338-30	30	6992	
	35mm diam	338-35	30	6992	
	40mm diam	338-40	30	6992	
	45mm diam	338-45	30	6992	
	50mm diam	338-50	30	6992	
Opaque cut-to-fit pre-cut					
15-60mm	337-15	30	6992		
20mm diam	337-20	30	6992		
25mm diam	337-25	30	6992		
30mm diam	337-30	30	6992		
35mm diam	337-35	30	6992		
40mm diam	337-40	30	6992		
45mm diam	337-45	30	6992		
50mm diam	337-50	30	6992		

STOMA APPLIANCES

ILEOSTOMY (DRAINABLE) BAGS

Manufacturer	Appliance	Order No.	Quantity	List Price p
Dansac Ltd	Dansac InVent Convex Integral convexity drainable bag with filter, soft spunlace cover front and back, anatomically shaped Important: This product with integral convexity should only be used after prior assessment of suitability by an appropriate medical professional			
	Opaque starter hole	15-24mm 15-37mm 15-46mm	341-24 341-37 341-46	10 2501 10 2501 10 2501
	Opaque pre-cut	20mm 25mm 30mm 35mm 40mm 45mm	341-20 341-25 341-30 341-35 341-40 341-45	10 2501 10 2501 10 2501 10 2501 10 2501 10 2501
	Dansac InVent Symm Convex Integral convexity drainable bag with filter, soft spunlace cover front and back (opaque) and back only (clear) symmetrically shaped Important: This product with integral convexity should only be used after prior assessment of suitability by an appropriate medical professional			
	Opaque starter hole	15-24mm 15-37mm 15-46mm	343-24 343-37 343-46	10 2501 10 2501 10 2501
	Opaque pre-cut	20mm 25mm 30mm 35mm 40mm 45mm	343-20 343-25 343-30 343-35 343-40 343-45	10 2501 10 2501 10 2501 10 2501 10 2501 10 2501
	Clear starter hole	15-24mm 15-37mm 15-46mm	344-24 344-37 344-46	10 2501 10 2501 10 2501
	Clear pre-cut	20mm 25mm 30mm 35mm 40mm 45mm	344-20 344-25 344-30 344-35 344-40 344-45	10 2501 10 2501 10 2501 10 2501 10 2501 10 2501
	Dansac Nova 1 Soft Convex EasiFold Drainable with integral 6mm convexity. Important: This product with integral convexity should only be used after assessment by a medical professional			
	Opaque cut-to-fit	15-24mm 15-37mm 15-46mm	841-24 841-37 841-46	10 3800 10 3800 10 3800
	pre-cut	20mm 25mm 30mm 35mm	841-20 841-25 841-30 841-35	10 3800 10 3800 10 3800 10 3800
	Clear cut-to-fit	15-24mm 15-37mm 15-46mm	842-24 842-37 842-46	10 3800 10 3800 10 3800

IXC

STOMA APPLIANCES

ILEOSTOMY (DRAINABLE) BAGS

Manufacturer	Appliance	Order No.	Quantity	List Price p
Dansac Ltd	Dansac Nova 1 Soft Convex EasiFold Drainable with 5mm integral convexity Important: This product with integral convexity should only be used after assessment by a medical professional			
	Opaque pre-cut			
	20mm	881-20	10	3800
	25mm	881-25	10	3800
	30mm	881-30	10	3800
	35mm	881-35	10	3800
	Clear pre-cut			
	25mm	882-25	10	3800
	30mm	882-30	10	3800
	35mm	882-35	10	3800
Manufacturer	Appliance	Order No.	Quantity	List Price p
	Dansac Nova 1 Drainable With twin filter and water repellent soft covers includes increased outlet.			
	Anatomical			
	Opaque cut-to-fit			
	15-60mm	811-15	30	6978
	20-60mm	811-20	30	6978
	25-60mm	811-25	30	6978
	30-60mm	811-30	30	6978
	35-60mm	811-35	30	6978
	40-60mm	811-40	30	6978
	45-60mm	811-45	30	6978
	Clear Cut-to-fit			
	15-60mm	812-15	30	6978
	Symmetrical			
	Opaque cut-to-fit			
	15-60mm	813-15	30	6978
	20-60mm	813-20	30	6978
	25-60mm	813-25	30	6978
	30-60mm	813-30	30	6978
	35-60mm	813-35	30	6978
	40-60mm	813-40	30	6978
	45-60mm	813-45	30	6978
	Clear cut-to-fit			
	15-60mm	814-15	30	6978
	Dansac Nova 1 Drainable Infant. One piece drainable ostomy pouch with flange opening			
	Clear			
	cut-to-fit			
	0-40mm	818-00	30	6665
	cut-to-fit			
	10-40mm	818-10	30	6665
	Dansac Nova 1 Drainable with EasiFold closure. With Twin filter and water repellent soft covers			
	Symmetrical			
	Opaque cut-to-fit			
	15-60mm	823-15	30	8052
	20-60mm	823-20	30	8052
	25-60mm	823-25	30	8052
	30-60mm	823-30	30	8052
	35-60mm	823-35	30	8052
	40-60mm	823-40	30	8052
	45-60mm	823-45	30	8052
	Clear cut-to-fit			
	15-60mm	824-15	30	8063

STOMA APPLIANCES

ILEOSTOMY (DRAINABLE) BAGS

Manufacturer	Appliance	Order No.	Quantity	List Price p
Dansac Ltd	Dansac Nova 1 Easifold X3 Drainable			
	Clear			
	cut-to-fit 15-46mm	862-15	10	3800
	Opaque			
	cut-to-fit 15-46mm	861-15	10	3800
	pre-cut 20mm	861-20	10	3800
	25mm	861-25	10	3800
	30mm	861-30	10	3800
	35mm	861-35	10	3800
	Maxi Clear			
	cut-to-fit 10mm-90mm	324-10	10	2421
	Opaque			
	starter hole	321-15	30	6891
	20mm	319-20	30	6891
	25mm	319-25	30	6891
	30mm	319-30	30	6891
	35mm	319-35	30	6891
	40mm	319-40	30	6891
	45mm	319-45	30	6891
	50mm	319-50	30	6891
	60mm	319-60	30	6891
	Clear			
	starter hole	322-15	30	6891
	20mm	320-20	30	6891
	25mm	320-25	30	6891
	30mm	320-30	30	6891
	35mm	320-35	30	6891
	40mm	320-40	30	6891
	45mm	320-45	30	6891
	50mm	320-50	30	6891
	60mm	320-60	30	6891
	Mini opaque (reference capacity: 250ml (see Note 2, page 217))			
	cut-to-fit			
	15mm-50mm	315-15	30	6660
	pre-cut			
	20mm	315-20	30	6660
	25mm	315-25	30	6660
	30mm	315-30	30	6660
	35mm	315-35	30	6660
	Mini clear (reference capacity: 250ml (see Note 2, page 217))			
	cut-to-fit			
	15mm-50mm	316-15	30	6651
	Oval flange			
	Opaque starter hole	317-15	30	6891
	Clear starter hole	318-15	30	6891

IXC

STOMA APPLIANCES

ILEOSTOMY (DRAINABLE) BAGS

Manufacturer	Appliance	Order No.	Quantity	List Price p
DBT Medical Ltd	† Black Bags – Koenig Rutzen style Butyl rubber bag			
	Soft Flange			
	Screw outlet			
	Large			
	25mm	D161125	1	3104 △
	29mm	D161129	1	3104 △
	32mm	D161132	1	3104 △
	35mm	D161135	1	3104 △
	38mm	D161138	1	3104 △
	44mm	D161144	1	3104 △
	51mm	D161151	1	3104 △
	Small			
	25mm	D161225	1	3104 △
	32mm	D161232	1	3104 △
	38mm	D161238	1	3104 △
	Special	D161099	1	3216 △
	Spout outlet			
	Large			
	25mm	D171125	1	2320 △
	29mm	D171129	1	2320 △
	32mm	D171132	1	2320 △
	35mm	D171135	1	2320 △
	38mm	D171138	1	2320 △
	44mm	D171144	1	2320 △
	51mm	D171151	1	2320 △
	Small			
	25mm	D171225	1	2320 △
	32mm	D171232	1	2320 △
	38mm	D171238	1	2320 △
	Special	D171099	1	2402 △
	Soft Flange with Bridge			
	Screw outlet			
	Large			
	25mm	D165125	1	4162 △
	32mm	D165132	1	4162 △
	38mm	D165138	1	4162 △
	44mm	D165144	1	4162 △
	Small			
	25mm	D165225	1	4122 △
	32mm	D165232	1	4122 △
	38mm	D165238	1	4122 △
	Special	D165099	1	4325 △
	Spout outlet			
	Large			
	25mm	D175125	1	3012 △
	32mm	D175132	1	3012 △
	38mm	D175138	1	3012 △
	51mm	D175151	1	3012 △
	Special	D175099	1	3124 △

† to be deleted 1 April 2005

STOMA APPLIANCES

ILEOSTOMY (DRAINABLE) BAGS

Manufacturer	Appliance	Order No.	Quantity	List Price p
DBT Medical Ltd	† Black Bags – Koenig Rutzen style Butyl rubber bag			
	Reinforced Flange			
	Screw outlet			
	Large			
	25mm	D163125	1	4162 △
	32mm	D163132	1	4162 △
	38mm	D163138	1	4162 △
	Small			
	25mm	D163225	1	4162 △
	32mm	D163232	1	4162 △
	38mm	D163238	1	4162 △
	Special	D163099	1	4183 △
	Spout outlet			
	Large			
	25mm	D173125	1	3114 △
	32mm	D173132	1	3114 △
	38mm	D173138	1	3114 △
	Small			
	25mm	D173225	1	3114 △
	32mm	D173232	1	3114 △
	38mm	D173238	1	3114 △
	Special	D173099	1	3267 △
	Reinforced Flange with Bridge			
	Screw outlet			
	Large			
	25mm	D168125	1	4854 △
	32mm	D168132	1	4854 △
	38mm	D168138	1	4854 △
	44mm	D168144	1	4854 △
	51mm	D168151	1	4854 △
	Small			
	25mm	D168225	1	4854 △
	32mm	D168232	1	4854 △
	38mm	D168238	1	4854 △
	Special	D168099	1	5038 △
	Spout outlet			
	Large			
	32mm	D178132	1	3837 △
	38mm	D178138	1	3837 △
	Special	D178099	1	4030 △

† to be deleted 1 April 2005

IXC

STOMA APPLIANCES

ILEOSTOMY (DRAINABLE) BAGS

Manufacturer	Appliance	Order No.	Quantity	List Price p
Hollister Ltd	Compact Drainable Pouch			
	Clear-with beige comfort backing on body-worn side cut-to-fit			
	13-64mm	3250	10	2496
	Beige-with beige comfort backing on both sides cut-to-fit			
	13-64mm	3251	10	2496
	pre-cut			
	19mm	3257	10	2496
	25mm	3252	10	2496
	32mm	3258	10	2496
	38mm	3253	10	2496
	44mm	3259	10	2496
	51mm	3254	10	2496
	Mini-Drainable Pouch Beige-with beige comfort backing on both sides cut-to-fit			
	13-51mm	3241	10	2283
	pre-cut			
	19mm	3247	10	2283
	25mm	3242	10	2283
	32mm	3248	10	2283
	38mm	3243	10	2283
	44mm	3249	10	2283
	Karaya 5 seal with microporous adhesive			
	229mm Length			
	Opaque 25mm	3132	30	8373
	32mm	3138	30	8373
	38mm	3133	30	8373
	44mm	3139	30	8373
	51mm	3134	30	8373
	30.5cm Length			
	Opaque 25mm	3112	30	8142
	32mm	3118	30	8142
	38mm	3113	30	8142
	44mm	3119	30	8142
	51mm	3114	30	8142
	64mm	3115	30	8142
	76mm	3116	30	8142
	30.5cm Length			
	Transparent			
	25mm	3222	30	8373
	32mm	3228	30	8373
	38mm	3223	30	8373
	44mm	3229	30	8373
	51mm	3224	30	8373
	64mm	3225	30	8373
	76mm	3226	30	8373

STOMA APPLIANCES

ILEOSTOMY (DRAINABLE) BAGS

Manufacturer	Appliance	Order No.	Quantity	List Price p
Hollister Ltd	Karaya 5 seal 41cm Length Transparent			
	25mm	3272	30	8373
	32mm	3278	30	8373
	38mm	3273	30	8373
	44mm	3279	30	8373
	51mm	3274	30	8373
	64mm	3275	30	8373
	76mm	3276	30	8373
	Karaya 5 seal with microporous adhesive and quiet film Transparent			
	25mm	3602	15	4108
	32mm	3608	15	4108
	38mm	3603	15	4108
	44mm	3609	15	4108
	51mm	3604	15	4108
	64mm	3605	15	4108
	76mm	3606	15	4108
	Premium with integral filter holder and twenty replacement filters			
	25mm	3662	15	4480
	32mm	3668	15	4480
	38mm	3663	15	4480
	44mm	3669	15	4480
	51mm	3664	15	4480
	64mm	3665	15	4480

IXC

Manufacturer	Appliance	Order No.	Quantity	List Price p
	Impression with Convex wafer Transparent			
	19mm	3610	10	2697
	22mm	3611	10	2697
	25mm	3612	10	2697
	29mm	3613	10	2697
	32mm	3614	10	2697
	35mm	3615	10	2697
	38mm	3616	10	2697
	41mm	3617	10	2697
	44mm	3618	10	2697
	51mm	3619	10	2697

STOMA APPLIANCES

ILEOSTOMY (DRAINABLE) BAGS

Manufacturer	Appliance	Order No.	Quantity	List Price p
Hollister Ltd	Impression "C" with convex wafer			
	Beige with beige Comfort backing on both sides			
	19mm	3260	10	2545
	22mm	3261	10	2545
	25mm	3262	10	2545
	29mm	3263	10	2545
	32mm	3264	10	2545
	35mm	3265	10	2545
	38mm	3266	10	2545
	41mm	3267	10	2545
	44mm	3268	10	2545
	51mm	3269	10	2545
	Transparent with beige Comfort backing on body worn side			
	19mm	3280	10	2499
	22mm	3281	10	2499
	25mm	3282	10	2499
	29mm	3283	10	2499
	32mm	3284	10	2499
	35mm	3285	10	2499
	38mm	3286	10	2499
	41mm	3287	10	2499
	44mm	3288	10	2499
	51mm	3289	10	2499

Manufacturer	Appliance	Order No.	Quantity	List Price p
	Moderma - Flex			
	Drainable Pouch with skin resting barrier, filter, transparent front. Anatomical shape.			
	Beige comfort backing on body worn side.			
	starter hole			
	15-55mm	26500	30	7164
	Drainable Pouch with skin-resting barrier, filter. Anatomical shape.			
	Beige comfort backing on both sides.			
	starter hole			
	15-55mm	26200	30	7164
	20mm	26220	30	7164
	25mm	26225	30	7164
	30mm	26230	30	7164
	35mm	26235	30	7164
	40mm	26240	30	7164
	Mini Drainable Pouch with skin resting barrier, filter.			
	Beige comfort backing on both sides.			
	starter hole			
	15-55mm	26100	30	7164
	20mm	26120	30	7164
	25mm	26125	30	7164
	30mm	26130	30	7164
	35mm	26135	30	7164
	40mm	26140	30	7164

STOMA APPLIANCES

ILEOSTOMY (DRAINABLE) BAGS

Manufacturer	Appliance	Order No.	Quantity	List Price p	
Hollister Ltd	Moderma - Flex with Adapt conformable convex rings				
	Drainable pouch, with integral filter. Lock and Roll closure system with flexible barrier plus Adapt conformable convex ring.				
	Midi - Beige with comfort backing on both sides, anatomical shape				
	cut-to-fit	20-29mm + 20mm ring	28620	20	9817
		30-39mm + 30mm ring	28630	20	9817
		40-49mm + 40mm ring	28640	20	9817
	Midi - Transparent with comfort backing on body side only, anatomical shape.				
	cut-to-fit	20-29mm + 20mm ring	28720	20	9817
		30-39mm + 30mm ring	28730	20	9817
		40-49mm + 40mm ring	28740	20	9817
	Maxi - Beige with comfort backing on both sides, symmetrical shape				
	cut-to-fit	20-29mm + 20mm ring	28820	20	9817
		30-39mm + 30mm ring	28830	20	9817
		40-49mm + 40mm ring	28840	20	9817
	Maxi - Transparent with comfort backing on body side only, symmetrical shape.				
	cut-to-fit	20-29mm + 20mm ring	28920	20	9817
		30-39mm + 30mm ring	28930	20	9817
		40-49mm + 40mm ring	28940	20	9817
	Moderma Flex with Lock'n'Roll Closure				
	Drainable Pouch, anatomical shape, flexible barrier plus integral filter and Lock and Roll closure system.				
	Midi - Beige with comfort backing on both sides				
	cut-to-fit	15-55mm	28200	30	8037
		20mm	28220	30	8037
		25mm	28225	30	8037
		30mm	28230	30	8037
		35mm	28235	30	8037
		40mm	28240	30	8037
Midi - Transparent with comfort backing on body side only					
cut-to-fit	15-55mm	28500	30	8037	
Drainable Pouch, symmetrical shape, flexible barrier plus integral filter and Lock and Roll closure system					
Maxi - Beige with comfort backing on both sides					
cut-to-fit	15-55mm	28300	30	8185	
	20mm	28320	30	8185	
	25mm	28325	30	8185	
	30mm	28330	30	8185	
	35mm	28335	30	8185	
	40mm	28340	30	8185	
Maxi - Transparent with comfort backing on body side only					
cut-to-fit	15-55mm	28400	30	8185	
Jade-Euro-Med Ltd	Black Butyl				
	Spout outlet				
		Day Bag	KM 42	1	3264
		Night Bag	KM 43	1	3264
	White Rubber				
	Spout outlet				
	Day Bag	KM 48	1	1544	
	Night Bag	KM 49	1	1544	

IXC

STOMA APPLIANCES**ILEOSTOMY (DRAINABLE) BAGS**

Manufacturer	Appliance	Order No.	Quantity	List Price p
Marlen USA	Ultra Small Bag			
	Transparent starter hole	561312	15	3339
	Opaque starter hole	501312	15	3339
	12mm	501412	15	3339
	16mm	501416	15	3339
	19mm	501419	15	3339
	22mm	501422	15	3339
	25mm	501425	15	3339
	29mm	501429	15	3339
	32mm	501432	15	3339
	34mm	501434	15	3339
	38mm	501438	15	3339
	41mm	501441	15	3339
	44mm	501444	15	3339
	48mm	501448	15	3339
	50mm	501450	15	3339
	54mm	501454	15	3339
	57mm	501457	15	3339
	60mm	501460	15	3339
	63mm	501463	15	3339
	67mm	501467	15	3339
	70mm	501470	15	3339
	73mm	501473	15	3339
	76mm	501476	15	3339
	Large Bag			
	Transparent starter hole	562312	15	3339
	Opaque starter hole	502312	15	3339
	12mm	502412	15	3339
	16mm	502416	15	3339
	19mm	502419	15	3339
	22mm	502422	15	3339
	25mm	502425	15	3339
	29mm	502429	15	3339
	32mm	502432	15	3339
	34mm	502434	15	3339
	38mm	502438	15	3339
	41mm	502441	15	3339
	44mm	502444	15	3339
	48mm	502448	15	3339
	50mm	502450	15	3339
	54mm	502454	15	3339
	57mm	502457	15	3339
	60mm	502460	15	3339
	63mm	502463	15	3339
	67mm	502467	15	3339
	70mm	502470	15	3339
	73mm	502473	15	3339
	76mm	502476	15	3339

STOMA APPLIANCES**ILEOSTOMY (DRAINABLE) BAGS**

Manufacturer	Appliance	Order No.	Quantity	List Price p
Marlen USA	Ultra			
	Small Bag with Convex Flange			
	Opaque 12mm	501512	15	3417
	16mm	501516	15	3417
	19mm	501519	15	3417
	22mm	501522	15	3417
	25mm	501525	15	3417
	29mm	501529	15	3417
	32mm	501532	15	3417
	34mm	501534	15	3417
	38mm	501538	15	3417
	41mm	501541	15	3417
	44mm	501544	15	3417
	48mm	501548	15	3417
	50mm	501550	15	3417
	54mm	501554	15	3417
	57mm	501557	15	3417
	60mm	501560	15	3417
	63mm	501563	15	3417
	67mm	501567	15	3417
	70mm	501570	15	3417
	73mm	501573	15	3417
	76mm	501576	15	3417
	Large Bag with Convex Flange			
	Opaque 12mm	502512	15	3417
	16mm	502516	15	3417
	19mm	502519	15	3417
	22mm	502522	15	3417
	25mm	502525	15	3417
	29mm	502529	15	3417
	32mm	502532	15	3417
	34mm	502534	15	3417
	38mm	502538	15	3417
	41mm	502541	15	3417
	44mm	502544	15	3417
	48mm	502548	15	3417
	50mm	502550	15	3417
	54mm	502554	15	3417
	57mm	502557	15	3417
	60mm	502560	15	3417
	63mm	502563	15	3417
	67mm	502567	15	3417
	70mm	502570	15	3417
	73mm	502573	15	3417
	76mm	502576	15	3417

IXC

STOMA APPLIANCES

ILEOSTOMY (DRAINABLE) BAGS

Manufacturer	Appliance	Order No.	Quantity	List Price p
Marlen USA	UltraMax			
	Opaque			
	Flat starter hole	53400	30	6900
	12mm	53412	30	6900
	16mm	53416	30	6900
	19mm	53419	30	6900
	22mm	53422	30	6900
	25mm	53425	30	6900
	29mm	53429	30	6900
	32mm	53432	30	6900
	34mm	53434	30	6900
	38mm	53438	30	6900
	41mm	53441	30	6900
	44mm	53444	30	6900
	50mm	53450	30	6900
	55mm	53455	30	6900
	Convex starter hole	53500	10	2576
	12mm	53512	10	2576
	16mm	53516	10	2576
	19mm	53519	10	2576
	22mm	53522	10	2576
	25mm	53525	10	2576
	29mm	53529	10	2576
	32mm	53532	10	2576
	34mm	53534	10	2576
	38mm	53538	10	2576
	41mm	53541	10	2576
	44mm	53544	10	2576
	50mm	53550	10	2576
	55mm	53555	10	2576
	Transparent			
	Flat starter hole	52400	30	6900
	12mm	52412	30	6900
	16mm	52416	30	6900
	19mm	52419	30	6900
	22mm	52422	30	6900
	25mm	52425	30	6900
	29mm	52429	30	6900
	32mm	52432	30	6900
	34mm	52434	30	6900
	38mm	52438	30	6900
	41mm	52441	30	6900
	44mm	52444	30	6900
	50mm	52450	30	6900
	55mm	52455	30	6900

STOMA APPLIANCES

ILEOSTOMY (DRAINABLE) BAGS

Manufacturer	Appliance	Order No.	Quantity	List Price p	
Marlen USA	Convex starter hole	52500	10	2576	
	12mm	52512	10	2576	
	16mm	52516	10	2576	
	19mm	52519	10	2576	
	22mm	52522	10	2576	
	25mm	52525	10	2576	
	29mm	52529	10	2576	
	32mm	52532	10	2576	
	34mm	52534	10	2576	
	38mm	52538	10	2576	
	41mm	52541	10	2576	
	44mm	52544	10	2576	
	50mm	52550	10	2576	
	55mm	52555	10	2576	
Mentor Medical Ltd	Adhesive Stoma Bag				
	19mm	32-250-89	60	10262	
	25mm	32-251-86	60	10262	
	32mm	32-252-83	60	10262	
	38mm	32-253-80	60	10262	
	51mm	32-254-88	60	10262	
	Cavendish				
	Clear PVC Bag	25mm	WD650-25-R	10	3479
		32mm	WD650-32-N	10	3479
		38mm	WD650-38-B	10	3479
	Plastic Bag	25mm	WC010-25-X	10	3458
		32mm	WC010-32-U	10	3458
		38mm	WC010-38-H	10	3458
	with adhesive flange	25mm	WC013-25-L	10	4165
		32mm	WC013-32-H	10	4165
		38mm	WC013-38-V	10	4165
	Chiron				
	Black Butyl Screw Cap Outlet				
	Day Bag	38mm	WF005-38-W	1	3597
		44mm	WF005-44-R	1	3597
		51mm	WF005-51-N	1	3597
	Night Bag	38mm	WF025-38-H	1	4317
		44mm	WF025-44-C	1	4317
	Latex Rubber Screw cap outlet				
	Day Bag	38mm	WF003-38-N	1	1828
	Night Bag	38mm	WF023-38-Y	1	2418
	White Rubber Screw cap outlet				
Day Bag	38mm	WF001-38-E	1	2071	
	44mm	WF001-44-Y	1	2071	
	51mm	WF001-51-V	1	2071	
Night Bag	38mm	WF021-38-Q	1	2418	
Screw cap outlet on body side					
Day Bag	38mm	WF002-38-J	1	2071	
Night Bag	38mm	WF031-01-V	1	1979	
Children's Bag	38mm	WF011-38-K	1	1634	

IXC

STOMA APPLIANCES

ILEOSTOMY (DRAINABLE) BAGS

Manufacturer	Appliance	Order No.	Quantity	List Price p
Mentor Medical Ltd	EC1 Range			
	10-64mm	32-331-62	30	7898
	19mm	32-331-03	30	7898
	25mm	32-331-11	30	7898
	32mm	32-331-38	30	7898
	38mm	32-331-46	30	7898
	44mm	32-331-54	30	7898
	Mini (Clear)	32-333-08	30	7898
	Mini (Opaque)	32-333-16	30	7898
	Post Op			
	Large outline 10-90mm	32-338-12	30	11527
	Small outline 10-64mm	32-338-04	30	8146
	Mirage Drainable Pouches			
	Beige			
	starter hole 19-44mm	32-520-10	30	6837
	starter hole 19-64mm	32-520-15	30	6837
	25mm	32-520-25	30	6837
	32mm	32-520-32	30	6837
	38mm	32-520-38	30	6837
	44mm	32-520-44	30	6837
	51mm	32-520-51	30	6837
	Large Outline cut 19-90mm			
		32-520-90	10	2381
	Clear			
	starter hole 19-44mm	32-525-10	30	6837
	starter hole 19-64mm	32-525-15	30	6837
	25mm	32-525-25	30	6837
	32mm	32-525-32	30	6837
	38mm	32-525-38	30	6837
	44mm	32-525-44	30	6837
	51mm	32-525-51	30	6837
	Large Outline cut 19-90mm			
		32-525-90	10	2381
	Omni-1-Piece			
	with flatus filter and 20 replacement filters			
	Beige			
	starter hole 10-44mm	32-299-55	20	5261
	25mm	32-299-12	20	5261
	32mm	32-299-20	20	5261
	38mm	32-299-39	20	5261
	44mm	32-299-47	20	5261
	Clear			
	starter hole 10-44mm	32-318-79	20	5261
	Redifit with Karaya			
	Clear Medium			
	25mm	WA027-25-T	20	7726
	44mm	WA027-44-X	20	7726
	Opaque Medium			
	25mm	WA018-25-S	20	7726
	32mm	WA018-32-P	20	7726
	38mm	WA018-38-C	20	7726
	44mm	WA018-44-W	20	7726
	51mm	WA018-51-T	20	7726
	64mm	WA018-64-D	20	7726
	Small			
	25mm	WA020-25-N	20	7726
	32mm	WA020-32-K	20	7726
	38mm	WA020-38-X	20	7726

STOMA APPLIANCES

ILEOSTOMY (DRAINABLE) BAGS

Manufacturer	Appliance	Order No.	Quantity	List Price p
Oakmed Ltd	Option - Mini Ileostomy with Soft Covering to one side			
	cut-to-fit 10mm-50mm			
	Clear	2410K	30	5761
	Opaque	2510K	30	5761
	Option - Ileostomy with Soft Covering to one side			
	Clear			
	starter hole			
	20mm	2020K	30	6153
	25mm	2025K	30	6153
	30mm	2030K	30	6153
	35mm	2035K	30	6153
	40mm	2040K	30	6153
	45mm	2045K	30	6153
	50mm	2050K	30	6153
	55mm	2055K	30	6153
	60mm	2060K	30	6153
	Opaque			
	starter hole			
	20mm	2120K	30	6153
	25mm	2125K	30	6153
	30mm	2130K	30	6153
	35mm	2135K	30	6153
	40mm	2140K	30	6153
	45mm	2145K	30	6153
	50mm	2150K	30	6153
	55mm	2155K	30	6153
	60mm	2160K	30	6153
	Option - Ileostomy Midi with Filter and Soft Covering to one side			
	Clear			
	starter hole			
	20mm	3220k	30	6111
	25mm	3225k	30	6111
	30mm	3230k	30	6111
	35mm	3235k	30	6111
	40mm	3240k	30	6111
	45mm	3245k	30	6111
	50mm	3250k	30	6111
	55mm	3255k	30	6111
	60mm	3260k	30	6111
	Opaque			
	starter hole			
	20mm	3320k	30	6111
	25mm	3325k	30	6111
	30mm	3330k	30	6111
	35mm	3335k	30	6111
	40mm	3340k	30	6111
	45mm	3345k	30	6111
	50mm	3350k	30	6111
	55mm	3355k	30	6111
	60mm	3360k	30	6111

IXC

STOMA APPLIANCES

ILEOSTOMY (DRAINABLE) BAGS

Manufacturer	Appliance	Order No.	Quantity	List Price p
Oakmed Ltd	Option - Ileostomy with Filter and Soft Covering to one side			
	Clear			
	starter hole 20mm	3020k	30	6461
	25mm	3025k	30	6461
	30mm	3030k	30	6461
	35mm	3035k	30	6461
	40mm	3040k	30	6461
	45mm	3045k	30	6461
	50mm	3050k	30	6461
	55mm	3055k	30	6461
	60mm	3060k	30	6461
	Opaque			
	starter hole 20mm	3120k	30	6461
	25mm	3125k	30	6461
	30mm	3130k	30	6461
	35mm	3135k	30	6461
	40mm	3140k	30	6461
	45mm	3145k	30	6461
	50mm	3150k	30	6461
	55mm	3155k	30	6461
	60mm	3160k	30	6461
	Option - Mini Ileostomy with Soft Cover to Both Sides			
	Opaque			
	starter hole			
	cut-to-fit 10mm-50mm	2610K	30	5969
	Option - Ileostomy Midi with Filter and Soft Covering to both sides			
	Opaque			
	starter hole 20mm	4320k	30	6406
	25mm	4325k	30	6406
	30mm	4330k	30	6406
	35mm	4335k	30	6406
	40mm	4340k	30	6406
	45mm	4345k	30	6406
	50mm	4350k	30	6406
	55mm	4355k	30	6406
	60mm	4360k	30	6406
	Option - Ileostomy with Filter and Soft Covering to both sides			
	Opaque			
	starter hole 20mm	4120k	30	6748
	25mm	4125k	30	6748
	30mm	4130k	30	6748
	35mm	4135k	30	6748
	40mm	4140k	30	6748
	45mm	4145k	30	6748
	50mm	4150k	30	6748
	55mm	4155k	30	6748
	60mm	4160k	30	6748

STOMA APPLIANCES**ILEOSTOMY (DRAINABLE) BAGS**

Manufacturer	Appliance	Order No.	Quantity	List Price p
Oakmed Ltd	Option - Ileostomy microskin with window, Filter and Soft Covering to both sides Opaque			
	starter hole 20mm	M-4120K	30	7948
	25mm	M-4125K	30	7948
	30mm	M-4130K	30	7948
	35mm	M-4135K	30	7948
	40mm	M-4140K	30	7948
	45mm	M-4145K	30	7948
	50mm	M-4150K	30	7948
	55mm	M-4155K	30	7948
	60mm	M-4160K	30	7948
	Option - Ileostomy Midi Microskin Opaque			
	starter hole 20mm	M-4320K	30	7668
	25mm	M-4325K	30	7668
	30mm	M-4330K	30	7668
	35mm	M-4335K	30	7668
	40mm	M-4340K	30	7668
	45mm	M-4345K	30	7668
	50mm	M-4350K	30	7668
	55mm	M-4355K	30	7668
	60mm	M-4360K	30	7668
	Option - Ileo Microskin Mini Opaque			
	cut-to-fit 13mm-50mm	M-2610K	30	6874
	Option Ileo Oval - Ileostomy pouch with filter and soft covering to one side, MacKintosh liners			
	Clear			
	cut-to-fit 20mm-80mm	6020k	20	6701
Omex Medical Ltd	Schacht	470511	50	2100

IXC

STOMA APPLIANCES

ILEOSTOMY (DRAINABLE) BAGS

Manufacturer	Appliance	Order No.	Quantity	List Price p
Pelican Healthcare Ltd	Pelican Pouch - with Skin Protector, Adhesive, Comfort Backing,			
	+ Opaque 26mm	110524	30	8094
	32mm	110525	30	8094
	40mm	110526	30	8094
	45mm	110527	30	8094
	50mm	110528	30	8094
	Paediatric/Neonatal Pouch			
	7mm-40mm	120705	30	7251
	Pelican Select - Drainable Pouch with skin protector, fabric both sides			
	Clear			
	cut-to-fit 20mm-65mm	110620	30	7076
	+ pre-cut 13mm	110613	30	7076
	27mm	110627	30	7076
	34mm	110634	30	7076
	41mm	110641	30	7076
	48mm	110648	30	7076
	55mm	110655	30	7076
	Opaque			
	cut-to-fit 20mm-65mm	110720	30	7076
	+ pre-cut 13mm	110713	30	7076
	27mm	110727	30	7076
	34mm	110734	30	7076
	41mm	110741	30	7076
	48mm	110748	30	7076
	55mm	110755	30	7076
	Pelican Select - Paediatric Pouch - with skin protector, plain fabric both sides			
	Clear			
	cut-to-fit 10mm-50mm	101600	30	6330
	Opaque			
	cut-to-fit 10mm-50mm	101602	30	6330
	Paediatric Pouch - with skin protector, fabric both sides with printed motif			
	Clear			
	cut-to-fit 10mm-50mm	101601	30	6330
	Opaque			
	cut-to-fit 10mm-50mm	101603	30	6330
	Paediatric Pouch - with filter, skin protector, fabric both sides with printed motif			
	Clear			
	cut-to-fit 10mm-50mm	101608	30	6642
	+ Paediatric Pouch - with filter, skin protector, plain fabric both sides			
	Opaque			
	cut-to-fit 10mm-50mm	101609	30	6642
	Neonatal Pouch - Plain split fabric front and back			
	Clear			
	cut-to-fit 10mm-50mm	101604	30	6115
	Neonatal Pouch - Split fabric front and back with printed motif			
	Clear			
	cut-to-fit 10mm-50mm	101605	30	6115
	+ Neonatal Pouch - Plain split fabric front and back			
	Opaque			
	cut-to-fit 10mm-50mm	101606	30	6115
	+ Neonatal Pouch - Split fabric front and back with printed motif			
	Opaque			
	cut-to-fit 10mm-50mm	101607	30	6115

+ to be deleted 1 March 2005

STOMA APPLIANCES

ILEOSTOMY (DRAINABLE) BAGS

Manufacturer	Appliance	Order No.	Quantity	List Price p
Pelican Healthcare Ltd	Pelican Select Drainable DuoVent - with two filters, easy access outlet, skin protector, fabric both sides			
	Clear - Standard			
	cut-to-fit 15mm-65mm	110215	30	6973
	+ pre-cut 20mm	110220	30	6973
	27mm	110227	30	6973
	34mm	110234	30	6973
	41mm	110241	30	6973
	48mm	110248	30	6973
	55mm	110255	30	6973
	Opaque - Standard			
	cut-to-fit 15-65mm	110315	30	6973
	+ pre-cut 20mm	110320	30	6973
	27mm	110327	30	6973
	34mm	110334	30	6973
	41mm	110341	30	6973
	48mm	110348	30	6973
	55mm	110355	30	6973
	Clear - Mini			
	cut-to-fit 15-65mm	111200	30	6759
	Opaque - Mini			
	cut-to-fit 15-65mm	111215	30	6759
	+ pre-cut 20mm	111220	30	6759
	27mm	111227	30	6759
	34mm	111234	30	6759
	41mm	111241	30	6759
	48mm	111248	30	6759
	55mm	111255	30	6759

+ to be deleted 1 March 2005

Pelican Select Afresh - Drainable Pouch with Clipless System & Integral Filter

Opaque Maxi				
pre-cut 20mm	112520	30	7638	
25mm	112525	30	7638	
27.5mm	112527	30	7638	
30mm	112530	30	7638	
32.5mm	112532	30	7638	
35mm	112535	30	7638	
37.5mm	112537	30	7638	
40mm	112540	30	7638	
45mm	112545	30	7638	
50mm	112550	30	7638	
55mm	112555	30	7638	

IXC

STOMA APPLIANCES

ILEOSTOMY (DRAINABLE) BAGS

Manufacturer	Appliance	Order No.	Quantity	List Price p			
Pelican Healthcare Ltd	Clear Maxi pre-cut	20mm	112620	30	7638		
		25mm	112625	30	7638		
		27.5mm	112627	30	7638		
		30mm	112630	30	7638		
		32.5mm	112632	30	7638		
		35mm	112635	30	7638		
		37.5mm	112637	30	7638		
		40mm	112640	30	7638		
		45mm	112645	30	7638		
		50mm	112650	30	7638		
		55mm	112655	30	7638		
		Pelican Select Afresh - Drainable Pouch with filter					
			Opaque Maxi cut-to-fit	15-65mm	112515	30	7638
			Clear Maxi cut-to-fit	15-65mm	112615	30	7638
	Opaque Standard cut-to-fit	15-65mm	112115	30	7638		
	pre-cut	20mm	112120	30	7638		
		25mm	112125	30	7638		
		27.5mm	112127	30	7638		
		30mm	112130	30	7638		
		32.5mm	112132	30	7638		
		35mm	112135	30	7638		
		37.5mm	112137	30	7638		
		40mm	112140	30	7638		
	45mm	112145	30	7638			
	50mm	112150	30	7638			
	55mm	112155	30	7638			

STOMA APPLIANCES

ILEOSTOMY (DRAINABLE) BAGS

Manufacturer	Appliance	Order No.	Quantity	List Price p
Pelican Healthcare Ltd	Pelican Select Afresh - Drainable Pouch with filter			
	Clear Standard			
	cut-to-fit 15-65mm	112215	30	7638
	pre-cut 20mm	112220	30	7638
	25mm	112225	30	7638
	27.5mm	112227	30	7638
	30mm	112230	30	7638
	32.5mm	112232	30	7638
	35mm	112235	30	7638
	37.5mm	112237	30	7638
	40mm	112240	30	7638
	45mm	112245	30	7638
	50mm	112250	30	7638
	55mm	112255	30	7638
	Opaque Mini			
	cut-to-fit 15-65mm	112315	30	7638
	pre-cut 20mm	112320	30	7638
	25mm	112325	30	7638
	27.5mm	112327	30	7638
	30mm	112330	30	7638
	32.5mm	112332	30	7638
	35mm	112335	30	7638
	37.5mm	112337	30	7638
	40mm	112340	30	7638
	45mm	112345	30	7638
	50mm	112350	30	7638
	55mm	112355	30	7638
	Clear Mini			
	cut-to-fit 15-65mm	112415	30	7638
	Pelican Select Afresh			
	Paediatric Pouch-with filter, skin protector, fabric, printed motif and cliplless outlet			
	Clear			
	cut-to-fit 10-50mm	112701	30	7725
	Paediatric Pouch-with filter, skin protector, fabric and cliplless outlet			
	Opaque			
	cut-to-fit 10-50mm	112702	30	7725
	Neonatal Pouch-with filter, skin protector, fabric, printed motif and cliplless outlet			
	Clear			
	cut-to-fit 0-40mm	112703	30	7725
	Neonatal Pouch-with filter, skin protector, fabric and cliplless outlet			
	Opaque			
	cut-to-fit 0-40mm	112704	30	7725

IXC

STOMA APPLIANCES

ILEOSTOMY (DRAINABLE) BAGS

Manufacturer	Appliance	Order No.	Quantity	List Price p
Pelican Healthcare Ltd	Pelican Select Drainable Convex Pouch - integral convexity with filter, split fabric backing and clipless outlet			
	Opaque - Standard			
	cut-to-fit 12-40mm	113312	10	3900
	pre-cut * 15mm	113315	10	3900
	20mm	113320	10	3900
	22.5mm	113322	10	3900
	25mm	113325	10	3900
	27.5mm	113327	10	3900
	30mm	113330	10	3900
	32.5mm	113332	10	3900
	35mm	113335	10	3900
	37.5mm	113337	10	3900
	40mm	113340	10	3900
	Clear - Standard			
	cut-to-fit 12-40mm	113412	10	3900
	pre-cut * 15mm	113415	10	3900
	20mm	113420	10	3900
	22.5mm	113422	10	3900
	25mm	113425	10	3900
	27.5mm	113427	10	3900
	30mm	113430	10	3900
	32.5mm	113432	10	3900
	35mm	113435	10	3900
	37.5mm	113437	10	3900
	40mm	113440	10	3900
	Opaque - Maxi			
	cut-to-fit 12-40mm	113512	10	3900
	pre-cut * 15mm	113515	10	3900
	20mm	113520	10	3900
	22.5mm	113522	10	3900
	25mm	113525	10	3900
	27.5mm	113527	10	3900
	30mm	113530	10	3900
	32.5mm	113532	10	3900
	35mm	113535	10	3900
	37.5mm	113537	10	3900
	40mm	113540	10	3900
	* to be deleted 1 February 2005			
	Opaque - Mini			
	cut-to-fit 12-40mm	113112	10	3900
	Clear - Mini			
	cut-to-fit 12-40mm	113212	10	3900
	Clear - Maxi			
	cut-to-fit 12-40mm	113612	10	3900

STOMA APPLIANCES

ILEOSTOMY (DRAINABLE) BAGS

Manufacturer	Appliance	Order No.	Quantity	List Price p
Rüsch UK	Birkbeck			
	with Screwcap outlet			
	Black Rubber			
	Day Bag			
	19mm	LM 723225	1	2910
	38mm	LM 723230	1	2910
	54mm	LM 723235	1	2910
	Night Bag			
	19mm	LM 723275	1	3329
	38mm	LM 723280	1	3329
	54mm	LM 723295	1	3329
	Disposable Plastic Bag	LM 724000	100	1696
	Pink Rubber			
	Day Bag			
	19mm	LM 724225	1	2910
	38mm	LM 724230	1	2910
	54mm	LM 724235	1	2910
	Night Bag			
	19mm	LM 724275	1	3329
	38mm	LM 724280	1	3329
	54mm	LM 724295	1	3329
	White Rubber			
	with Screwcap outlet			
	Day Bag			
	38mm	LM 882111	1	1303
	44mm	LM 882112	1	1303
	51mm	LM 882113	1	1303
	with air vent			
	38mm	LM 882114	1	1559
	on body side			
	38mm	LM 882115	1	1407
	Child's			
	Day Bag			
	19mm	LM 882101	1	1257
	25mm	LM 882102	1	1257
	28mm	LM 882103	1	1257
	Night Bag			
	19mm	LM 882121	1	1537
	25mm	LM 882122	1	1537
	28mm	LM 882123	1	1537
	Ostopore			
	Ileo Karaya adhesive and vent			
	Opaque			
	25mm	746025	30	6744
	32mm	746032	30	6744
	38mm	746038	30	6744

IXC

STOMA APPLIANCES

ILEOSTOMY (DRAINABLE) BAGS

Manufacturer	Appliance	Order No.	Quantity	List Price p
Salts Healthcare	Cohflex			
	Drainable			
	starter hole 10-60mm			
	Flesh/Flesh	514410	30	7133 △
	Flesh/Clear	514420	30	7133 △
	pre-cut			
	Flesh/Flesh			
	25mm	514425	30	7133 △
	30mm	514430	30	7133 △
	35mm	514435	30	7133 △
	40mm	514440	30	7133 △
	45mm	514445	30	7133 △
	Paediatric			
	10mm starter	632310	30	6320 △
	Paediatric (Flesh)			
	10mm starter	632410	30	6316 △
	Confidence Drainable pouches			
	Small			
	starter hole			
	13mm	DS13	30	5206 △
	pre-cut			
	25mm	DS25	30	5206 △
	32mm	DS32	30	5206 △
	Confidence			
	Drainable pouches - transparent/overlap film			
	Standard starter hole			
	13mm	DT13	30	6248 △
	Drainable pouches - transparent/no overlap			
	Standard starter hole			
	13mm	DTT13	30	6248 △
	Drainable pouches - transparent /overlap film			
	Large starter hole			
	13mm	DLT13	30	6525 △
	Drainable pouches - transparent/no overlap			
	Large starter hole			
	13mm	DLTT13	30	6525 △
	Drainable pouch - transparent/overlap film			
	pre-cut			
	25mm	DT25	30	6629 △
	32mm	DT32	30	6629 △
	38mm	DT38	30	6629 △
	45mm	DT45	30	6629 △
	52mm	DT52	30	6629 △

STOMA APPLIANCES

ILEOSTOMY (DRAINABLE) BAGS

Manufacturer	Appliance	Order No.	Quantity	List Price	p
Salts Healthcare	Confidence Gold with hypoallergenic hydrocolloid and soft beige comfort backing on both sides				
	Drainable Pouches Opaque starter hole				
	13mm	DNW13	30	6413	△
	pre-cut				
	25mm	DNW25	30	6413	△
	32mm	DNW32	30	6413	△
	Small Drainable Pouches starter hole				
	13mm	DSNW13	30	5116	△
	Confidence Gold Drainable Pouches - Transparent Film/Beige Overlap Comfort Backing Standard starter hole				
	13mm	DTNW13	30	6140	△
	pre-cut				
	25mm	DTNW25	30	6515	△
	32mm	DTNW32	30	6515	△
	Large starter hole				
	13mm	DLTNW13	30	6413	△
	Confidence Gold Soft and Secure Drainable pouches with an easy clean, soft and secure integral closure. Hypoallergenic hydrocolloid, transparent overlap, beige comfort backing on both sides, filter				
	Standard starter hole				
	13mm	SST13	30	8177	△
	pre-cut				
	25mm	SST25	30	8177	△
	32mm	SST32	30	8177	△
	35mm	SST35	30	8177	△
	38mm	SST38	30	8177	△
	45mm	SST45	30	8177	△
	52mm	SST52	30	8177	△
	Confidence Gold Convex 1 Piece integral convexity with hypoallergenic hydrocolloid and soft beige comfort backing on both sides, filter. Important: This product with integral convexity should only be used after assessment by a medical professional. Drainable Pouches Transparent film/beige overlap comfort backing				
	Standard starter hole				
	13-25mm	CD13-25	10	2643	△
	13-38mm	CD13-38	10	2643	△
	13-52mm	CD13-52	10	2643	△
	pre-cut				
	21mm	CD21	10	2643	△
	25mm	CD25	10	2643	△
28mm	CD28	10	2643	△	
32mm	CD32	10	2643	△	
35mm	CD35	10	2643	△	
38mm	CD38	10	2643	△	
41mm	CD41	10	2643	△	
45mm	CD45	10	2643	△	

IXC

STOMA APPLIANCES

ILEOSTOMY (DRAINABLE) BAGS

Manufacturer	Appliance	Order No.	Quantity	List Price p
Salts Healthcare	Confidence Gold Convex Soft and Secure			
	Drainable pouches with 1 piece integral Convexity with an easy clean soft and secure closure. Hypoallergenic Hydrocolloid, transparent overlap, soft beige comfort backing on both sides, filter. Important: This product with integral convexity should only be used after assessment by a medical professional.			
	Standard starter hole			
	13-25mm	SSCT1325	10	3940
	13-38mm	SSCT1338	10	3940
	13-52mm	SSCT1352	10	3940
	pre-cut			
	21mm	SSCT21	10	3940
	25mm	SSCT25	10	3940
	28mm	SSCT28	10	3940
	32mm	SSCT32	10	3940
	35mm	SSCT35	10	3940
	38mm	SSCT38	10	3940
	41mm	SSCT41	10	3940
	45mm	SSCT45	10	3940
	Confidence Gold with Filter			
	With hypoallergenic hydrocolloid and soft beige comfort backing on both sides, filter			
	Drainable Pouches - Opaque			
	starter hole			
	13mm	GDF13	30	6630 △
	pre-cut			
	25mm	GDF25	30	6630 △
	32mm	GDF32	30	6630 △
	35mm	GDF35	30	6630 △
	38mm	GDF38	30	6630 △
	45mm	GDF45	30	6630 △
	Small starter hole			
	13mm	GDSF13	30	6630 △
	Drainable Pouches - Transparent Film/Beige, Overlap comfort backing			
	Standard starter hole			
	13mm	GDTF13	30	6630 △
	+ Confidence Gold Easi-Clip			
	Drainable Pouches with Integral Clip and Filter			
	Standard - Opaque with soft beige comfort backing on both sides			
	starter hole			
	13mm	DNWF13	30	7061 △
	pre-cut			
	25mm	DNWF25	30	7061 △
	32mm	DNWF32	30	7061 △
	35mm	DNWF35	30	7061 △
	Small - Opaque with soft beige comfort backing on both sides			
	starter hole			
	13mm	DSNWF13	30	7061 △
	pre-cut			
	25mm	DSNWF25	30	7061 △
	32mm	DSNWF32	30	7061 △
	35mm	DSNWF35	30	7061 △
+ Confidence Gold Easi-Clip				
Drainable Pouches with Integral Clip and Filter				
Standard - Transparent Film with soft beige comfort overlap on both sides				
starter hole				
13mm	DTNWF13	30	7061 △	
pre-cut				
25mm	DTNWF25	30	7061 △	
32mm	DTNWF32	30	7061 △	

+ to be deleted 1 March 2005

STOMA APPLIANCES

ILEOSTOMY (DRAINABLE) BAGS

Manufacturer	Appliance	Order No.	Quantity	List Price p
Salts Healthcare	Eakin			
	Clear			
	Large			
	32mm	839120	20	5677 △
	45mm	839121	20	5677 △
	64mm	839122	20	5677 △
	Small			
	32mm	839110	20	5677 △
	45mm	839111	20	5677 △
	64mm	839112	20	5677 △
	Eakin Fistula			
	Infant	839210	10	4160 △
	Small	839211	10	5905 △
	Medium	839212	10	7638 △
	Large	839213	10	14044 △
	Large (Open)	839214	10	14044 △
	Wide 90mm opening	839230	20	11673 △
	with remote drainage			
	Infant	839220	10	4160 △
	Small	839221	10	5905 △
	Medium	839222	10	7638 △
	Large	839223	10	14044 △
	Large (Open)	839224	10	14044 △
	Large (Vertical)	839225	10	14044 △
	Koenig Rutzen All Rubber Black			
	Screw Outlet			
	Large			
25mm	161125	1	3510 △	
29mm	161129	1	3510 △	
32mm	161132	1	3510 △	
35mm	161135	1	3510 △	
38mm	161138	1	3510 △	
44mm	161144	1	3510 △	
51mm	161151	1	3510 △	
Small				
25mm	161225	1	3510 △	
32mm	161232	1	3510 △	
38mm	161238	1	3510 △	
Special	161099	1	3646 △	

IXC

STOMA APPLIANCES

ILEOSTOMY (DRAINABLE) BAGS

Manufacturer	Appliance	Order No.	Quantity	List Price p	
Salts Healthcare	Spout Outlet				
	Large				
	25mm	171125	1	2625 △	
	29mm	171129	1	2625 △	
	32mm	171132	1	2625 △	
	38mm	171138	1	2625 △	
	44mm	171144	1	2625 △	
	51mm	171151	1	2625 △	
	Small				
	25mm	171225	1	2625 △	
	32mm	171232	1	2625 △	
	38mm	171238	1	2625 △	
	Special	171099	1	2722 △	
		Koenig Rutzen with metal bridge, screw outlet			
		Large			
		25mm	165125	1	4709 △
		32mm	165132	1	4709 △
		38mm	165138	1	4709 △
		44mm	165144	1	4709 △
		Small			
		25mm	165225	1	4665 △
		32mm	165232	1	4665 △
		38mm	165238	1	4665 △
	Special	165099	1	4890 △	
	with metal bridge, spout outlet				
	Large				
	32mm	175132	1	3401 △	
	38mm	175138	1	3401 △	
	with reinforced rubber plate, black, screw outlet				
	Large				
	25mm	163125	1	4709 △	
	32mm	163132	1	4709 △	
	38mm	163138	1	4709 △	
	Small				
	25mm	163225	1	4709 △	
	32mm	163232	1	4709 △	
	Special	163099	1	4736 △	

STOMA APPLIANCES**ILEOSTOMY (DRAINABLE) BAGS**

Manufacturer	Appliance	Order No.	Quantity	List Price p
Salts Healthcare	Koenig Rutzen			
	with reinforced rubber plate, black, spout outlet			
	Large			
	25mm	173125	1	3528 △
	32mm	173132	1	3528 △
	38mm	173138	1	3528 △
	Small			
	25mm	173225	1	3528 △
	32mm	173232	1	3528 △
	38mm	173238	1	3528 △
	with plate and metal bridge, screw outlet			
	Large			
	25mm	168125	1	5488 △
	32mm	168132	1	5488 △
	38mm	168138	1	5488 △
	44mm	168144	1	5488 △
	51mm	168151	1	5488 △
	with plate and metal bridge, screw outlet			
	Small			
	25mm	168225	1	5488 △
	32mm	168232	1	5488 △
	38mm	168238	1	5488 △
	Special	168099	1	5698 △
Spout Outlet				
Large				
32mm	178132	1	4345 △	
38mm	178138	1	4345 △	

IXC

Manufacturer	Appliance	Order No.	Quantity	List Price p
	Light White			
	Opaque			
	Large			
	25mm	273125	30	5595 △
	32mm	273132	30	5595 △
	38mm	273138	30	5595 △
	Medium			
	25mm	273325	30	5595 △
	32mm	273332	30	5595 △
	38mm	273338	30	5595 △
	Small			
	25mm	273225	30	5595 △
32mm	273232	30	5595 △	

STOMA APPLIANCES

ILEOSTOMY (DRAINABLE) BAGS

Manufacturer	Appliance	Order No.	Quantity	List Price p
Salts Healthcare	Adhesive Bag			
	Opaque			
	Large			
	25mm	274125	30	6333 △
	32mm	274132	30	6333 △
	38mm	274138	30	6333 △
	44mm	274144	30	6333 △
	Medium			
	25mm	274325	30	6333 △
	32mm	274332	30	6333 △
	38mm	274338	30	6333 △
	Small			
	25mm	274225	30	6333 △
	32mm	274232	30	6333 △
	38mm	274238	30	6333 △
	Simplicity 1			
	Drainable			
	starter hole (10mm-60mm)			
	White/White	510310	30	8134 △
	White/Clear	510311	30	8134 △
	+ Flesh/Flesh	510410	30	7898 △
	+ Flesh/Clear	510411	30	7898 △
	pre-cut			
	White/White			
	30mm	510330	30	8134 △
	40mm	510340	30	8134 △
	50mm	510350	30	8134 △
	60mm	510360	30	8134 △
	+ Flesh/Flesh			
	30mm	510430	30	7898 △
	40mm	510440	30	7898 △
	50mm	510450	30	7898 △
	+	to be deleted 1 March 2005		
	Simplicity 1 Anatomical			
	Clear - starter hole	540311	30	7928 △
	Opaque - starter hole	540310	30	7928 △
	30mm	540330	30	7928 △
	40mm	540340	30	7928 △
	50mm	540350	30	7928 △
	60mm	540360	30	7928 △
A H Shaw & Partner Ltd	Black Rubber Day Bag			
	(with screw cap)			
	22mm	NSI 66	1	2634
	29mm		1	2634
	38mm		1	2634
	Black Rubber Night Bag			
	(with screw cap)			
22mm	NSI 67	1	2791	
29mm		1	2791	
38mm		1	2791	

STOMA APPLIANCES

ILEOSTOMY (DRAINABLE) BAGS

Manufacturer	Appliance	Order No.	Quantity	List Price p
Ward Surgical Appliance Co	Black Rubber			
	with screw outlet 19mm, 35mm or 54mm			
	Day Size	WM 08	1	1849
	Night Size	WM 09	1	1932
	White Rubber			
	with screw outlet			
	Day Size	WM01	1	1264
	Night Size	WM02	1	1421
	with spout outlet			
	Day Size	WM 03	1	1264
	Night Size	WM 04	1	1421
	with tap outlet			
	Day Size	WM 05	1	1851
	Night Size	WM 06	1	2052
	with flange attached	WM 99	1	2795
	Transverse bag tap and mount outlet all sizes black and white rubber	WM 07	1	2954
	Donald Rose registered design rubber bags with celluloid collars, solid, flat or fluid rims.	9	1	1977
	New improved rubber bag only, complete with collar.	12	1	2146
	Extra tap outlet and skirt (also extra for Donald Rose RD bag)	13	1	252
	Shaped rubber night bag with long vertical spring vulcanite screw outlet	18	1	1967
Welland Medical Ltd	Curvex drainable pouches with soft flexible flange, all-over soft cover and filter			
	Beige			
	25mm plateau starter hole	CFS 513	10	2425
	32mm plateau starter hole	CFM 513	10	2425
	43mm plateau starter hole	CFL 513	10	2425
	Curvex drainable pouches with soft flexible flange, soft cover and filter			
	Clear			
	25mm plateau starter hole	CFS 713	10	2425
32mm plateau starter hole	CFM 713	10	2425	
43mm plateau starter hole	CFL 713	10	2425	

IXC

STOMA APPLIANCES

ILEOSTOMY (DRAINABLE) BAGS

Manufacturer	Appliance	Order No.	Quantity	List Price p
Welland Medical Ltd	FreeStyle drainable pouches with hydrocolloid wafer, protected Dual-Carb charcoal-based filter and Click-Fast integral closure Beige double-sided softback large bags			
	13mm starterhole (cut to 60mm)	FLD 513	30	8178
	25mm	FLD 525	30	8178
	29mm	FLD 529	30	8178
	32mm	FLD 532	30	8178
	35mm	FLD 535	30	8178
	38mm	FLD 538	30	8178
	44mm	FLD 544	30	8178
	White softback on body side large bags			
	13mm starter hole (cut to 60mm)	FLD 713	30	8030
	Beige double-sided softback medium anatomical bags			
	13mm starter hole (cut to 60mm)	FMD 513	30	8178
	25mm	FMD 525	30	8178
	29mm	FMD 529	30	8178
	32mm	FMD 532	30	8178
	35mm	FMD 535	30	8178
	38mm	FMD 538	30	8178
	44mm	FMD 544	30	8178
	FreeStyle Drainable Pouch with integral convexity with soft backing and Dual Carb Filter and Integral closure Beige soft backing to both sides			
	Medium			
	13mm starter hole (cut to 35mm)	NDM 513	10	3910
	25mm	NDM 525	10	3910
	29mm	NDM 529	10	3910
	32mm	NDM 532	10	3910
	35mm	NDM 535	10	3910
	Large			
	13mm starter hole (cut to 48mm)	NDL 513	10	3910
	35mm	NDL 535	10	3910
	38mm	NDL 538	10	3910
	44mm	NDL 544	10	3910
	Clear with soft backing on flange side			
	Medium			
	13mm starter hole (cut to 35mm)	NDM 713	10	3910
	Large			
	13mm starter hole (cut to 48mm)	NDL 713	10	3910

STOMA APPLIANCES

ILEOSTOMY (DRAINABLE) BAGS

Manufacturer	Appliance	Order No.	Quantity	List Price p
Welland Medical Ltd	Silhouette Plus Drainable Pouches with filter			
	Beige			
	19mm	SDF 519	30	6999
	25mm	SDF 525	30	6999
	29mm	SDF 529	30	6999
	32mm	SDF 532	30	6999
	35mm	SDF 535	30	6999
	38mm	SDF 538	30	6999
	44mm	SDF 544	30	6999
	51mm	SDF 551	30	6999
	Clear			
	19mm	SDF 719	30	6999
	25mm	SDF 725	30	6999
	29mm	SDF 729	30	6999
	32mm	SDF 732	30	6999
	35mm	SDF 735	30	6999
	38mm	SDF 738	30	6999
	44mm	SDF 744	30	6999
	51mm	SDF 751	30	6999
	Standard Length Drainable Bags with soft backing			
	Beige			
	starter hole 19mm	FSI 919	30	7036
	25mm	FSI 925	30	7036
	29mm	FSI 929	30	7036
	32mm	FSI 932	30	7036
	35mm	FSI 935	30	7036
	38mm	FSI 938	30	7036
	44mm	FSI 944	30	7036
	51mm	FSI 951	30	7036
	Clear			
	starter hole 19mm	FSI 719	30	7036
	25mm	FSI 725	30	7036
	29mm	FSI 729	30	7036
	32mm	FSI 732	30	7036
	35mm	FSI 735	30	7036
	38mm	FSI 738	30	7036
	44mm	FSI 744	30	7036
	51mm	FSI 751	30	7036
	Welland Ovation Drainable Pouch with oval skin protector			
	Beige starter hole 10mm	FSI 910	30	7409
	Clear starter hole 10mm	FSI 710	30	7409
	Welland Ovation Drainable Pouch with large vertical oval skin protector			
	Clear starter hole 10mm	FVI 710	10	2427
	Large Post-Op Drainable Bag with Softbacking			
	Clear starter hole 10mm	FSP 700	30	7253
	Beige starter hole 10mm	FSP 900	30	7253
	Welland Ovation Mini Drainable Pouch with oval skin protector			
	Clear starter hole 10mm	FSM 710	30	6474
	Welland Ovation Mini Drainable with vertical skin protector			
	Clear starter hole 10mm	FVM 710	10	2120

IXC

STOMA APPLIANCES

ILEOSTOMY SETS

Manufacturer	Appliance	Order No.	Quantity	List Price p
Omex Medical Ltd	Schacht Odourproof Ileostomy Appliance	470538	1	3103
Rüsch UK	Birkbeck			
	Appliance "A"			
	19mm	LM 720119	1	10160
	38mm	LM 720138	1	10160
	54mm	LM 720154	1	10160
	Appliance "B"			
	19mm	LM 720519	1	6557
	38mm	LM 720538	1	6557
	54mm	LM 720554	1	6557
Ward Surgical Appliance Co	Donald Rose Ileostomy Appliance			
	First Stage	1	1	4838
	Second Stage	8	1	4786
	New Improved	11	1	5079

STOMA APPLIANCES

**IRRIGATION/WASH - OUT APPLIANCES - (Replacement Parts)
(SLEEVES/DRAINS/BAGS/CONES/LUBRICATION)
NB. Complete Appliances are not prescribable**

Manufacturer	Appliance	Order No.	Quantity	List Price p
Astra Tech Ltd	Medena Ileostomy Catheter	M8730	5	484
B. Braun Medical	Biotrol Irrigation Sleeves	F05066E	50	4223
	Cone	F05062E	1	293
Coloplast Ltd	Disposable Sleeve	1540	30	3741
	Disposable Sleeve	1560	30	3741
	Colotip	1110	1	709
	Irrigator Bag	1511	1	1343
Dansac Ltd	Irri-Drain with Ring Holder for Silicone Ring	950-20	20	2481
	Silicone Ring	09547-0000	1	499
	Irri-Drain Adhesive	950-35	20	2420
	Water Container	95200-0000	1	1941
	Clamp	95210-0000	1	840
	Cone	95205-0000	1	1247
	Brush	95220-0000	1	211
	Tube	95215-0000	1	148
Hollister Ltd	Stoma Cone/Irrigator Kit	7718	1	2200
	Irrigator Drain	7724	20	3033
	Replacement Cones	7723	10	7801
			1	954
	Stoma Lubricant	7740	1	540
Medicina Ltd	Medicina Caecostomy and ACE Washout sets			
	For Caecostomy Button	AS01	1	880
	For Caecostomy Tube or ACE Catheter	AS02	1	880
	Ace Stopper	AP8/15- AP14/100	1	1400
	Ace Dressing			
	Standard	SD01	30	2700
	Key Hole	KD08-KD18	30	4800
Ward Surgical Appliance Co	Belt	WM 79	1	838

IXC

STOMA APPLIANCES

PRESSURE PLATES/SHIELDS

Manufacturer	Appliance	Order No.	Quantity	List Price p
Coloplast Ltd	Supporting Plate	1120	1	675
	Assura			
	Convex Inserts (for use with Assura 2 Piece Base Plates)			
	40mm (stoma size 10-23mm)	4043	5	145
	40mm (stoma size 23-26mm)	4044	5	145
	40mm (stoma size 26-30mm)	4045	5	145
	50mm (stoma size 30-33mm)	4052	5	145
	50mm (stoma size 33-36mm)	4053	5	145
	50mm (stoma size 36-40mm)	4054	5	145
	60mm (stoma size 40-43mm)	4062	5	145
	60mm (stoma size 43-46mm)	4063	5	145
	Cotton Face Piece with attached non-slip belt (for use with St Mark's flange)			
	45mm diam	781710	1	1898
ConvaTec Ltd	Combihesive Natura			
	Convex Inserts (for use with Combihesive Natura flanges)			
	38mm (25mm internal dia)	S7624	5	144
	45mm (32mm internal dia)	S7626	5	144
	45mm (35mm internal dia)	S7627	5	144
	57mm (41mm internal dia)	S7629	5	144
Mentor Medical Ltd	Surrey Model Plastic Pressure Plate			
	25mm diam	WK001-25-P	1	806
	32mm diam	WK001-32-L	1	806
	Standard Plastic Pressure Plates to use with Lightweight Bag attached			
	Flange			
	25mm int diameter	WK004-25-C	1	806
	* 32mm int diameter	WK004-32-Y	1	806
	38mm int diameter	WK004-38-M	1	806
	* to be deleted 1 February 2005			
Mentor Medical Ltd	Stainless Wire Pressure Frames, Hook and Lug			
	To fit			
	25mm Flange	WK012-25-Y	1	982
	32mm Flange	WK012-32-V	1	982
	38mm Flange	WK012-38-J	1	982
	44mm Flange	WK012-44-D	1	982
	51mm Flange	WK012-51-A	1	982
	Cotton Facepiece	WS300-01-P	1	2443

STOMA APPLIANCES**PRESSURE PLATES/SHIELDS**

Manufacturer	Appliance	Order No.	Quantity	List Price p
OstoMart Ltd	Ostoshield (without belt)	Res50	1	654
	Ostoshield Belt Small/Medium 45cm/85cm	Res40	1	337
	Ostoshield Belt Large/Extra Large 66cm/124cm	Res45	1	337
Salts Healthcare	Plastic Retaining Shield Single	833008	1	356 △
	+ Double	833009	1	550 △
	SS Wire Retaining Ring + Large	833010	1	356 △
	Medium	833011	1	339 △
	+ Small	833012	1	330 △
	Plastic Retaining Shield Large	833030	1	436 △
	Light White Anti-Sag Ring For Belt use	833038	1	161 △
	For Velcro Belt Fastening	833086	1	183 △
	Light White Stabilising Ring	833039	1	141 △
	Convex Plate for Light White Bag 32mm	833046	5	1538 △
	44mm	833048	5	1538 △

+ to be deleted 1 March 2005

IXC

STOMA APPLIANCES

PRESSURE PLATES/SHIELDS

Manufacturer	Appliance	Order No.	Quantity	List Price p
Salts Healthcare	Pressure Plate for Simplicity, Kombo & Solo			
	+ 30mm	833057	1	222 △
	+ 40mm	833058	1	222 △
	50mm	833059	1	222 △
	60mm	833060	1	222 △
	Pressure Plate Kombo			
	+ 30mm	833088	1	210 △
	+ 40mm	833089	1	210 △
	50mm	833090	1	210 △
	60mm	833091	1	210 △
	+ Eakin Support Frame			
	32mm	839037	1	138 △
	45mm	839038	1	138 △
	64mm	839039	1	138 △
	90mm	839040	1	138 △
+ to be deleted 1 March 2005				
	Second Nature			
	Convex Inserts (for use with Second Nature Adhesive Flanges)			
	38mm (19mm internal dia)	CI3819	5	139 △
	38mm (22mm internal dia)	CI3822	5	139 △
	38mm (25mm internal dia)	CI3825	5	139 △
	45mm (29mm internal dia)	CI4529	5	139 △
	45mm (32mm internal dia)	CI4532	5	139 △
	45mm (35mm internal dia)	CI4535	5	139 △
	57mm (38mm internal dia)	CI5738	5	139 △
	57mm (41mm internal dia)	CI5741	5	139 △
T J Shannon	Facepiece	TJS 948b	1	837
Ward Surgical Appliance Co	Celluloid Colostomy Cup			
	With sponge or solid rim, Small, Medium or Large	WM10	1	3683
	With Sponge Rubber or Solid Rim, Belt Fitting	WM11	1	4201
	St Mark's Shields (celluloid)			
	4 studs	WM13	1	800

STOMA APPLIANCES

SKIN FILLERS AND PROTECTIVES
(Barrier Creams, Pastes, Aerosols, Lotions, Powders, Gels and Wipes)

Manufacturer	Appliance	Order No.	Quantity	List Price p
3M Health Care Ltd	3M Cavilon Durable Barrier Cream 2g sachet	3392S	20	744
		3391E	28g	392
		3392E	92g	799
	3M Cavilon No Sting Barrier Film Pump Spray (Sterilised) Foam Applicators (Sterile) (1ml) (3ml)	3346P	28ml	654 △
		3343P	5	488 △
		3345P	5	783 △
AlphaMed Ltd see Opus Healthcare Ltd				
C S Bullen Ltd	Balspray Aerosol	UF95	1	712
	Karaya Gum Powder	UF65	70g	473
CliniMed Ltd Essentials Accessories	CliniShield Wipes	3800	50	1365
	LBF No Sting Barrier Film (Sterile)	3820	30 sachets	2332
	Ostagal Skin Cleanser bottle	8801	100ml	266
	sachets 1.5ml	8802	30	853
Coloplast Ltd	Coloplast Strip Paste	2655	10 strips	726
	Comfeel Barrier Cream	4720	60g	454
	Comfeel Protective Film Sachets	4735	30	1038
	Applicator	4731	1	492
	Conveen Prep	62042	54	972
ConvaTec Ltd	Orabase Paste	S103	30g	194
		S104	100g	432
	Orahesive Powder	S106	25g	224
	Stomahesive Paste	S105	60g	733
Dansac Ltd	Soft Paste	77550-0	50g	341
Hollister Ltd	Adapt Barrier Strips (6g strip)	79400	10 strips	716
	Adapt Paste	79300	57g	350
	Karaya Paste	7910	128g	797
	Karaya Powder	7905	71g	918
	Premium Powder	7906	1	240
	Skin Gel Protective Dressing Wipes	7917	50	1292
Manfred Sauer GmbH	Preventox Skin Protecting Film Individually Packed Wipes	50.50	50	852
	Preventox Skin Protecting Film with Roll-on applicator	50.58	50ml	699

IXC

STOMA APPLIANCES**SKIN FILLERS AND PROTECTIVES (Barrier Creams, Pastes, Aerosols, Lotions, Powders, Gels and Wipes)**

Manufacturer	Appliance	Order No.	Quantity	List Price p
MedLogic Global Ltd	SuperSkin Liquid Barrier Film (0.7g)	SS0009	10	814
	(2g)	SS0010	10	1323
Mentor Medical Ltd	Chiron Barrier Cream	WM102-01-A	52g	534
	Karaya Powder	WM083-01-R	100g	774
	Derma-gard Skin Wipes	32-291-06	50	1563
Opus Healthcare Ltd (formerlyAlphaMed Ltd)	LaVera Barrier Cream	3300	30 sachets	1098
	SkinSafe Non Sting Protective Film	6600	50 sachets	3509
OstoMart Ltd	OstoCLENZ No rinse Skin Cleansing Gel	LGS2	100ml	267
	OstoGuard Barrier Cream	RMC1	60g	451
	(sachets 2g)	RMC2	20	746
	OstoSEAL Protective Powder	ABP1	25g	224
S G & P Payne	Payne's Barrier Cream	1320	50g	392
Pelican Healthcare Ltd	Pelican Paste	130101	100g	730
	Pelican Ultra Barrier Cream	130105	50ml	435
	Pelican Protect	133004	30	2291
	Pelican Strip Paste	130400	30	2142
Rüsch UK	Translet Barrier Wipes	732730	30	616
Salts Healthcare	Stoma Paste	SP60	60g	353 △
	Karaya Powder 4oz Puffer Pack	833004	1	498 △
	Ostomy Cleaning Soap (Saltair Soap)	833007	110ml	299 △
	Peri-Prep Wipes	840001	50	1618 △
Welland Medical Ltd	See CliniMed Ltd Essential Accessories			

STOMA APPLIANCES

SKIN PROTECTORS
(Wafers, Blankets, Foam Pads, Washers)

Manufacturer	Appliance	Order No.	Quantity	List Price p
B. Braun Medical	Biotrol Skin Protectors			
	10cm x 10cm	32-075	10	1845
	10cm diam	32-076	10	1845
C S Bullen Ltd	Karaya Gum Washers in tins			
	51mm diameter			
	Regular			
	51mm x 22mm opening	UF601	10	1285
	51mm x 29mm opening	UF602	10	1285
	Extra Hard			
	51mm x 22mm opening	UF6601	10	1285
	51mm x 29mm opening	UF6602	10	1285
	64mm diameter			
	Regular			
	64mm x 32mm opening	UF603	10	1490
	Extra Hard			
	64mm x 32mm opening	UF6603	10	1490
	76mm diameter			
	Regular			
	76mm x 22mm opening	UF 604	10	1709
	76mm x 29mm opening	UF 605	10	1709
	76mm x 38mm opening	UF 606	10	1709
	76mm x 51mm opening	UF 607	10	1709
	Extra Hard			
76mm x 22mm opening	UF 6604	10	1709	
76mm x 29mm opening	UF 6605	10	1709	
76mm x 38mm opening	UF 6606	10	1709	
76mm x 51mm opening	UF 6607	10	1709	
CliniMed Ltd Essentials Accessories	Hyperseal Washers			
	Small	HWA 300	20	2400
	Large	HWA 350	5	1000

IXC

STOMA APPLIANCES

SKIN PROTECTORS (Wafers, Blankets, Foam Pads, Washers)

Manufacturer	Appliance	Order No.	Quantity	List Price p
Coloplast Ltd	Coloplast Protective Sheets Non Sterile			
	10cm x 10cm	3210	10	2304
	15cm x 15cm	3215	5	2728
	20cm x 20cm	3220	5	4964
	Coloplast Protective Rings			
	10mm	2310	30	3999
	15mm	2315	30	3999
	20mm	2320	30	3999
	25mm	2325	30	3999
	30mm	2330	30	3999
	40mm	2340	30	3999
	50mm	2350	30	3999
	ConvaTec Ltd	Stomahesive Wafers		
100mm x 100mm		S100	5	1105
200mm x 200mm		S101	3	2709
Varihesive Wafers				
100mm x 100mm	S108	5	966	
Dansac Ltd	Dansac GX-tra Seals			
	Washers			
	20mm (50mm outer diameter)	725-20/30	30	4003 △
	30mm (60mm outer diameter)	725-30/30	30	4003 △
	40mm (70mm outer diameter)	725-40/30	30	4003 △
50mm (80mm outer diameter)	725-50/30	30	4003 △	
Hollister Ltd	Hollister Skin Barrier			
	102mm x 102mm	7700	5	1138
	203mm x 203mm	7701	4	3580
Mentor Medical Ltd	White Foam Pads			
	76mm diam			
	25mm opening	WJ275-25-A	5	526
	29mm opening	WJ275-29-J	5	719
	32mm opening	WJ275-32-W	5	719
	38mm opening	WJ275-38-K	5	719
	90mm diam			
	32mm opening	WJ290-32-L	5	719
	38mm opening	WJ290-38-Y	5	719

STOMA APPLIANCES

SKIN PROTECTORS (Wafers, Blankets, Foam Pads, Washers)

Manufacturer	Appliance	Order No.	Quantity	List Price p
Mentor Medical Ltd	Karaya Washers to fit (Redifit) Bag			
	25mm	WM080-25-T	10	1552
	32mm	WM080-32-Q	10	1552
	38mm	WM080-38-D	10	1552
	44mm	WM080-44-X	10	1552
	51mm	WM080-51-U	10	1552
	Downs Adhesive Karaya Gum Washers			
	22mm centre opening 51mm base	WM051-23-C	10	1259
	29mm centre opening 51mm base	WM051-28-N	10	1259
	22mm centre opening 70mm base	WM070-23-J	10	1552
	29mm centre opening 70mm base	WM070-28-U	10	1552
	Karaya Rings			
	19mm	32-263-87	20	2826
	25mm	32-264-84	20	2826
	32mm	32-265-81	20	2826
	38mm	32-266-89	20	2826
	51mm	32-267-86	20	2826
	Seel-a-Peel Squares			
	100mm sq	32-292-03	20	4357
	150mm sq	32-292-11	5	2683
	Rings			
	19mm	32-293-00	20	2585
25mm	32-293-19	20	2585	
32mm	32-293-27	20	2585	
38mm	32-293-35	20	2585	
44mm	32-293-43	20	2585	
Oakmed Ltd	Option Seals Rings			
	20mm	WM-100	10	1767
Omex Medical Ltd	Schacht Foam Rings			
	Colostomy	784885	10	752
	Ileostomy	784893	10	752
Pelican Healthcare Ltd	Pelican Skin Protector			
	100mm x 100mm	130320	10	2118
	Pelican Superseal Washers			
	20mm	130325	32	4400
	30mm	130326	32	4400

IXC

STOMA APPLIANCES

SKIN PROTECTORS (Wafers, Blankets, Foam Pads, Washers)

Manufacturer	Appliance	Order No.	Quantity	List Price p
Salts Healthcare	* Salger Karaya Washers with Foam 57mm	600457	5	1480 △
* to be deleted 1 February 2005				
	Salts Saltair Twin Pack			
	Small	833001	1	1045 △
	Large	833002	1	1463 △
	Salts Small Karaya Washers	833003	10	854 △
	Foam Seals as in small twin pack	833031	10	213 △
	Salts Large Karaya Washers	833084	10	1392 △
	Foam Seals as in large twin pack	833085	10	213 △
	Cohesive Washers			
	Small 48mm	839002	20	3596 △
	Large 98mm	839001	10	2401 △
	Protective Wafer			
	10cm x 10cm	PW1010	10	2195 △
	15cm x 15cm	PW1515	5	2354 △
	Realistic Washers			
	13mm	833070	10	1744 △
	19mm	833071	10	1744 △
	22mm	833072	10	1744 △
	25mm	833073	10	1744 △
	29mm	833074	10	1744 △
	32mm	833075	10	1744 △
	38mm	833076	10	1744 △
T J Shannon Ltd	Kaygee Washers			
	64mm base (29mm or 22mm hole)		10	733
	70mm base (35mm or 22mm hole)		10	733
A H Shaw & Partners Ltd	Shaw Healwell Squares hole sizes 25mm, 32mm and 38mm	NSI 53	12	1146
	Body Mould Squares hole sizes 25mm, 32mm and 38mm	NSI 56	5	1208
	Washers hole sizes 25mm, 32mm	NSI 59	10	1107
	Rings hole sizes 25mm, 32mm and 38mm	NSI 55	5	1107
	Shaw Healwell Rings hole sizes 25mm, 32mm and 38mm	NSI 52	21	991
Welland Medical Ltd	See CliniMed Ltd Essentials Accessories			

STOMA APPLIANCES

STOMA CAPS/DRESSINGS

Manufacturer	Appliance	Order No.	Quantity	List Price p
B. Braun Medical	Biotrol Petite	F00015E	30	3496
	15-35mm (starter hole)	F00011E	30	3496
C S Bullen Ltd	Shelter Stomacap			
	Microporous adhesive			
	cut-to-fit			
	13mm-64mm	1240/00	15	1495
	pre-cut			
	19mm	1240/19	15	1495
	25mm	1240/25	15	1495
	32mm	1240/32	15	1495
	38mm	1240/38	15	1495
	44mm	1240/44	15	1495
	51mm	1240/51	15	1495
	58mm	1240/58	15	1495
	64mm	1240/64	15	1495
	Mini Stomacap			
	cut-to-fit			
	10mm-32mm	1740/00	50	4500
	Microporous adhesive, bio dressing resin			
	cut-to-fit			
	13mm-64mm	1245/00	15	1795
	pre-cut			
	19mm	1245/19	15	1795
	25mm	1245/25	15	1795
	32mm	1245/32	15	1795
	38mm	1245/38	15	1795
	44mm	1245/44	15	1795
	51mm	1245/51	15	1795
	58mm	1245/58	15	1795
	64mm	1245/64	15	1795
Coloplast Ltd	Colocap	1014	100	12720
	Assura Minicap Opaque 20mm starter hole	2501	30	3795
ConvaTec Ltd	Colodress Plus Stoma Cap 19mm starter hole	S821	30	3613
Dansac Ltd	Dansac Nova Mini Caps (Opaque)			
	cut-to-fit			
	20-50mm	829-20	30	3691
	pre-cut			
	25mm	829-25	30	3691
	30mm	829-30	30	3691
	40mm	829-40	30	3691
	50mm	829-50	30	3691
	Dansac Unique Mini Cap (Opaque)			
	cut-to-fit			
	20-50mm	229-20	30	3627
	pre-cut			
	30mm	229-30	30	3627
	40mm	229-40	30	3627
	50mm	229-50	30	3627

IXC

STOMA APPLIANCES

STOMA CAPS/DRESSINGS

Manufacturer	Appliance	Order No.	Quantity	List Price p
Hollister Ltd	Hollister Stoma Cap			
	51mm	3184	30	3637
	76mm	3186	30	3637
Mentor Medical Ltd	Leisure Pouch	32-287-11	20	2544
Oakmed Ltd	Option Stoma Cap	1320K	50	5246
	Option Stoma Cap with Soft Covering and Filter Opaque for:- cut-to-fit 20mm - 50mm	1420K	50	5697
	50mm flange	1750K	30	3104
	Option Stoma Cap Mini with Soft Covering Opaque for:- cut-to-fit 20mm - 40mm	1120K	50	5599
	Option Stoma Cap with Soft Covering Opaque for:- cut-to-fit 20mm - 50mm	1520K	50	5599
	Option Stoma Cap 2 piece with Soft Covering Opaque for:- 50mm flange	1650K	30	3002
Pelican Healthcare	Pelican Select Minuet 10-40mm (starter hole)	102380	30	3650
Salts Healthcare	Confidence Gold Stomacap with Filter starter hole 13mm	SCG13	30	3342 △
	Confidence Stomacap with Filter starter hole 13mm	SC13	30	3401 △
	Second Nature Stoma Cap with filter 32mm	2SC32	30	3166 △
	38mm	2SC38	30	3166 △
	45mm	2SC45	30	3166 △
	57mm	2SC57	30	3166 △
Ward Surgical Appliance Co	Two zip fasteners fitted to colostomy belt	36	1	795
	Waterproof front, fitted to colostomy belt	37	1	656
	Donald Rose rubber ileo/colostomy bath belt with internal chamber for dressings, with stud fastenings for adjustment	51	1	1970
	Woven understraps with buttonhold ends	21	1 pair	304

STOMA APPLIANCES**TUBING**

Manufacturer	Appliance	Order No.	Quantity	List Price p
Hollister Ltd	Urostomy Drain Tube	7328	10	2742
	Urostomy Drain Tube for fitting to LO-Profile Urostomy Bags	7330	8	2550
	Premium Urostomy drain tube adaptor	7331	10	2188
Mentor Medical Ltd	Carshalton Connector	11-110-19	10	454
Salts Healthcare	Salts Night Tube Adaptor	833043	2	107 △
	Urostomy Night Drainage Adaptor	NDA6	6	1200 △
Ward Surgical Appliance Co	Metal Spring Tubing Clip	48	1	221

IXC

STOMA APPLIANCES

TWO PIECE OSTOMY SYSTEMS

Manufacturer	Appliance	Order No.	Quantity	List Price p
B. Braun Medical	Almarys Twin			
	Base Plate			
	40mm	F031240E	10	2911
	50mm	F031250E	10	2911
	60mm	F031260E	10	2911
	80mm	F031280E	10	2911
	Convex Base Plate			
	Important: This product with integral convexity should only be used after prior assessment of suitability by an appropriate medical professional.			
	40mm/17mm	F031342E	5	1508
	40mm/20mm	F031343E	5	1508
	50mm/24mm	F031351E	5	1508
	50mm/27mm	F031352E	5	1508
	50mm/30mm	F031353E	5	1508
	50mm/17-30mm	F031355E	5	1508
	60mm/34mm	F031361E	5	1508
	60mm/37mm	F031362E	5	1508
	60mm/40mm	F031363E	5	1508
	60mm/17-40mm	F031365E	5	1508
	80mm/17-60mm	F031385E	5	1508
	Closed Bag with filter			
	Beige 40mm	F032240E	30	3625
	50mm	F032250E	30	3625
	60mm	F032260E	30	3625
	80mm	F032280E	30	3625
	Transparent			
	40mm	F032340E	30	3625
	50mm	F032350E	30	3625
	60mm	F032360E	30	3625
	80mm	F032380E	30	3625
	Drainable Bag without filter			
	Beige 40mm	F032540E	30	3557
	50mm	F032550E	30	3557
	60mm	F032560E	30	3557
	80mm	F032580E	30	3557
	Transparent			
	40mm	F032440E	30	3557
	50mm	F032450E	30	3557
	60mm	F032460E	30	3557
	80mm	F032480E	30	3557
	Drainable Bag with filter			
	Beige 40mm	F032640E	30	3596
	50mm	F032650E	30	3596
	60mm	F032660E	30	3596
	Urostomy Bag			
	Transparent			
	40mm	F032940E	20	5156
	50mm	F032950E	20	5156
	60mm	F032960E	20	5156

STOMA APPLIANCES

TWO PIECE OSTOMY SYSTEMS

Manufacturer	Appliance	Order No.	Quantity	List Price p
B. Braun Medical	Almays Twin +			
	Closed Pouch with filter and protective cover			
	Beige 40mm	037240E	30	4173
	50mm	037250E	30	4173
	60mm	037260E	30	4173
	80mm	037280E	30	4173
	Transparent			
	40mm	037340E	30	4173
	50mm	037350E	30	4173
	60mm	037360E	30	4173
	80mm	037380E	30	4173
	Drainable pouch with filter, protective cover and "Flow Control" soft outlet			
	Beige 40mm	038840E	30	4376
	50mm	038850E	30	4376
	60mm	038860E	30	4376
	Transparent			
	40mm	038740E	30	4376
	50mm	038750E	30	4376
	60mm	038760E	30	4376
	Biotrol LockRing 2			
	Flange			
	35mm	22-135	5	1385
	50mm	22-150	5	1385
	75mm	22-175	5	1385
	Hydrocolloid Flange			
	35mm	24-235	5	1359
	50mm	24-250	5	1359
	62mm	24-262	5	1359
	75mm	24-275	5	1359
	Closed Bag			
	Beige 35mm	22-835	30	3391
	50mm	22-850	30	3391
	62mm	22-862	30	3391
	75mm	22-875	30	3391
	White 35mm	22-335	30	3450
	50mm	22-350	30	3450
	Transparent			
	75mm	22-375	30	3450
	Drainable Bag			
	Beige 35mm	22-535	30	3391
	50mm	22-550	30	3391
	62mm	22-562	30	3391
	75mm	22-575	30	3391
	White 35mm	22-435	30	3450
	50mm	22-450	30	3450
	Transparent			
	75mm	22-475	30	3450

IXC

STOMA APPLIANCES

TWO PIECE OSTOMY SYSTEMS

Manufacturer	Appliance	Order No.	Quantity	List Price p
B. Braun Medical	Biotrol			
	Paediatric Flange			
	35mm	23-035	5	1345
	Paediatric Closed Bag			
	Beige			
	35mm	23-435	30	3025
	Drainable Bag			
	Beige			
	35mm	23-735	30	3338
	Urostomy Bag Transparent			
	Baby 35mm	23-835	10	2550
	Child 35mm	23-935	10	2550
	Urostomy Bag Transparent			
35mm	22-635	10	2595	
50mm	22-650	10	2595	
75mm	22-775	10	2595	
C S Bullen	Shelter			
	Flexible Plate Microporous adhesive and Bio dressing resin			
	38mm	745/38	5	1125
	45mm	745/45	5	1125
	57mm	745/57	5	1125
	Rigid Plate Bio dressing resin			
	38mm	750/38	5	1105
	45mm	750/45	5	1105
	57mm	750/57	5	1105
	Closed Pouch			
	38mm	2700/38	10	1026
	45mm	2700/45	10	1026
	57mm	2700/57	10	1026
	Drainable Pouch			
	38mm	3700/38	10	1026
	45mm	3700/45	10	1026
	57mm	3700/57	10	1026
	Stoma Cap			
	38mm	1700/38	10	885
	45mm	1700/45	10	885
	57mm	1700/57	10	885
Drainable Pouch Extra Large				
38mm	4700/38	10	1231	
45mm	4700/45	10	1231	
57mm	4700/57	10	1231	
70mm	4700/70	10	1231	

STOMA APPLIANCES

TWO PIECE OSTOMY SYSTEMS

Manufacturer	Appliance	Order No.	Quantity	List Price p
Coloplast Ltd	Assura Base Plates with 10mm starter hole:			
	40mm for 10-35mm stoma	2894	5	1598
	50mm for 30-45mm stoma	2895	5	1598
	60mm for 40-55mm stoma	2896	5	1598
	Convex inserts for use with the above - see "Pressure Plates"			
	Assura Base Plates 40mm for paediatric bags	2180	5	1590
	Assura Extra Base Plates			
	40mm flange	2831	5	1851
	50mm flange	2832	5	1851
	60mm flange	2833	5	1851
	Assura Seal Extra Base Plates with integral deep convexity			
	40mm flange starter hole 15-23mm	14243	5	1851
	50mm flange starter hole 15-33mm	14246	5	1851
	60mm flange starter hole 15-43mm	14249	5	1851

IXC

Manufacturer	Appliance	Order No.	Quantity	List Price p
	Assura Seal Integral Convexity Baseplates			
	Important: This product with Integral Convexity should only be used after prior assessment of suitability by an appropriate medical professional.			
	40mm flange 15mm pre-cut	12701	5	1522
	40mm flange 18mm pre-cut	12702	5	1522
	40mm flange 21mm pre-cut	12703	5	1522
	50mm flange starter hole 15-33mm	12716	5	1522
	50mm flange 25mm pre-cut	12704	5	1522
	50mm flange 28mm pre-cut	12705	5	1522
	50mm flange 31mm pre-cut	12706	5	1522
	60mm flange starter hole 15-43mm	12719	5	1522
	60mm flange 35mm pre-cut	12707	5	1522
	60mm flange 38mm pre-cut	12708	5	1522
	60mm flange 41mm pre-cut	12709	5	1522
	Assura Soft Seal Baseplates with shallow convexity			
	Important: This product with integral convexity should only be used after prior assessment of suitability by an appropriate medical professional			
	40mm flange starter hole 15-23mm	14261	5	1675
	40mm flange 18mm pre-cut	14271	5	1675
	40mm flange 21mm pre-cut	14272	5	1675
	50mm flange starter hole 15-33mm	14262	5	1675
	50mm flange 25mm pre-cut	14273	5	1675
	50mm flange 28mm pre-cut	14274	5	1675
	50mm flange 31mm pre-cut	14275	5	1675
	60mm flange starter hole 15-43mm	14263	5	1675
	60mm flange 35mm pre-cut	14276	5	1675
	60mm flange 38mm pre-cut	14277	5	1675
	60mm flange 41mm pre-cut	14278	5	1675

STOMA APPLIANCES

TWO PIECE OSTOMY SYSTEMS

Manufacturer	Appliance	Order No.	Quantity	List Price p
Coloplast Ltd	Assura Closed Bags:			
	Paediatric Opaque			
	40mm	2160	30	2967
	Mini Opaque			
	40mm	2724	30	3267
	50mm	2725	30	3267
	Midi Clear			
	40mm	2774	30	4044
	50mm	2775	30	4044
	60mm	2776	30	4044
	Midi Opaque			
	40mm	2764	30	4044
	50mm	2765	30	4044
	60mm	2766	30	4046
	Maxi Clear			
	40mm	2784	30	4044
	50mm	2785	30	4044
	60mm	2786	30	4044
	Assura Closed Bags:			
	Maxi Opaque			
	40mm	2814	30	4044
	50mm	2815	30	4044
	60mm	2816	30	4044
	Minicap Opaque			
	40mm	2804	30	3237
	50mm	2805	30	3237
	Assura Uro Minicap 2 piece			
	Opaque with 40mm coupling	2807	30	13281
	Opaque with 50mm coupling	2808	30	13263
	Assura Drainable Bags			
	Paediatric Opaque			
	40mm	2150	30	3438
	Midi Clear			
	40mm	2754	30	4044
	50mm	2755	30	4044
	60mm	2756	30	4044
	Midi Opaque			
	40mm	2744	30	4044
	50mm	2745	30	4044
	60mm	2746	30	4044
	Maxi Clear			
	40mm	2794	30	4044
	50mm	2795	30	4044
	60mm	2796	30	4044
	Maxi Opaque			
	40mm	2824	30	4044
	50mm	2825	30	4044
	60mm	2826	30	4044

STOMA APPLIANCES**TWO PIECE OSTOMY SYSTEMS**

Manufacturer	Appliance	Order No.	Quantity	List Price p
Coloplast Ltd	Closed Bag with Integral Filter and Opaque Soft Cover front and back			
	Midi			
	40mm	12461	30	4044
	50mm	12462	30	4044
	60mm	12463	30	4044
	Maxi			
	40mm	12481	30	4044
	50mm	12482	30	4044
	60mm	12483	30	4044
	Drainable Bag with Opaque Soft Cover front and back			
	Midi			
	40mm	12441	30	4044
	50mm	12442	30	4044
	60mm	12443	30	4044

Manufacturer	Appliance	Order No.	Quantity	List Price p
	Assura Urostomy Bag (include 4 drain tube adaptors per pack)			
	Midi Clear with soft backing on body-worn side			
	40mm	2854	30	8082
	50mm	2855	30	8082
	Maxi Clear with soft backing on body-worn side			
	40mm	2874	30	8082
	50mm	2875	30	8082
	60mm	2876	30	8082
	Paediatric Clear with soft backing on body-worn side			
	40mm	2175	30	8082
	Maxi Opaque with soft backing on body-worn side			
	40mm	2864	30	8082
	50mm	2865	30	8082
	60mm	2866	30	8082
	Paediatric Opaque with soft backing on body-worn side			
	40mm	2170	30	8082
	Assura Inspire			
	Closed Bag with integral filter and soft backing			
	Midi Transparent			
	40mm	12344	30	4038
	50mm	12345	30	4038
	60mm	12346	30	4038
	Maxi Transparent			
	40mm	12374	30	4038
	50mm	12375	30	4038
	60mm	12376	30	4038
	Closed Bag with integral filter and opaque soft cover front and back			
	Midi Soft Cover			
	40mm	12354	30	4038
	50mm	12355	30	4038
	60mm	12356	30	4038

IXC

STOMA APPLIANCES

TWO PIECE OSTOMY SYSTEMS

Manufacturer	Appliance	Order No.	Quantity	List Price p
Coloplast Ltd	Maxi Soft Cover			
	40mm	12384	30	4038
	50mm	12385	30	4038
	60mm	12386	30	4038
	Closed Bag with integral filter and soft cover front and back			
	Midi Design			
	40mm	12364	30	4038
	50mm	12365	30	4038
	60mm	12366	30	4038
	Maxi Design			
	40mm	12394	30	4038
	50mm	12395	30	4038
	60mm	12396	30	4038
	Assura Inspire			
	Drainable Bag with integral filter and soft backing			
	Midi Transparent			
	40mm	13444	30	4038
	50mm	13445	30	4038
	60mm	13446	30	4038
	Maxi Transparent			
	40mm	13474	30	4038
	50mm	13475	30	4038
	60mm	13476	30	4038
	Drainable Bag with integral filter and opaque soft cover front and back			
	Midi Soft Cover			
	40mm	13454	30	4038
	50mm	13455	30	4038
	60mm	13456	30	4038
	Maxi Soft Cover			
	40mm	13484	30	4038
	50mm	13485	30	4038
	60mm	13486	30	4038
	Drainable Bag with integral filter and soft cover front and back			
	Midi Design			
	40mm	13464	30	4038
	50mm	13465	30	4038
	60mm	13466	30	4038
	Maxi Design			
	40mm	13494	30	4038
	50mm	13495	30	4038
	60mm	13496	30	4038

STOMA APPLIANCES

TWO PIECE OSTOMY SYSTEMS

Manufacturer	Appliance	Order No.	Quantity	List Price p
Coloplast Ltd	Assura Inspire with Hide-away outlet			
	Drainable Bag with integral filter and soft backing with Hide-away outlet.			
	Midi Transparent			
	40mm	13944	30	4284
	50mm	13945	30	4284
	60mm	13946	30	4284
	Maxi Transparent			
	40mm	13974	30	4284
	50mm	13975	30	4284
	60mm	13976	30	4284
	Drainable Bag with integral filter, opaque soft cover front and back with Hide-away outlet.			
	Mini Soft Cover			
	40mm	13924	30	4284
	50mm	13925	30	4284
	60mm	13926	30	4284
	Midi Soft Cover			
	40mm	13954	30	4284
	50mm	13955	30	4284
	60mm	13956	30	4284
	Maxi Soft Cover			
	40mm	13984	30	4284
	50mm	13985	30	4284
	60mm	13986	30	4284
	Drainable Bag with integral filter, opaque design soft cover front and back with Hide-away outlet.			
	Midi Design			
	40mm	13964	30	4284
	50mm	13965	30	4284
	60mm	13966	30	4284
	Assura Multichamber Urostomy Bag			
	Midi Transparent			
	40mm	14217	30	7941
	50mm	14218	30	7941
	60mm	14219	30	7941
	Maxi Transparent			
	40mm	14227	30	7941
	50mm	14228	30	7941
	60mm	14229	30	7941
	Midi White			
	40mm	14214	30	7941
	50mm	14215	30	7941
	60mm	14216	30	7941
	Maxi White			
	40mm	14224	30	7941
	50mm	14225	30	7941
	60mm	14226	30	7941

IXC

STOMA APPLIANCES

TWO PIECE OSTOMY SYSTEMS

Manufacturer	Appliance	Order No.	Quantity	List Price p
Coloplast Ltd	Easiflex Baseplate			
	35mm flange, starter hole 10-33mm	14301	10	3560
	50mm flange, starter hole 10-48mm	14302	10	3560
	70mm flange, starter hole 10-68mm	14303	10	3560
	Extra 35mm flange, starter hole 10-33mm	14304	10	3560
	Extra 50mm flange, starter hole 10-48mm	14305	10	3560
	Extra 70mm flange, starter hole 10-68mm	14306	10	3560
	35mm flange, pre-cut 18mm	14381	10	3560
	35mm flange, pre-cut 21mm	14382	10	3560
	35mm flange, pre-cut 25mm	14383	10	3560
	35mm flange, pre-cut 28mm	14384	10	3560
	50mm flange, pre-cut 25mm	14385	10	3560
	50mm flange, pre-cut 28mm	14386	10	3560
	50mm flange, pre-cut 31mm	14387	10	3560
	50mm flange, pre-cut 35mm	14388	10	3560
	50mm flange, pre-cut 41mm	14389	10	3560
	Extra 35mm flange, pre-cut 18mm	14391	10	3560
	Extra 35mm flange, pre-cut 21mm	14392	10	3560
	Extra 35mm flange, pre-cut 25mm	14393	10	3560
	Extra 35mm flange, pre-cut 28mm	14394	10	3560
	Extra 50mm flange, pre-cut 25mm	14395	10	3560
	Extra 50mm flange, pre-cut 28mm	14396	10	3560
	Extra 50mm flange, pre-cut 31mm	14397	10	3560
	Extra 50mm flange, pre-cut 35mm	14398	10	3560
	Extra 50mm flange, pre-cut 41mm	14399	10	3560
	Easiflex Closed Bags with Dual Filter			
	Mini Soft Cover			
	35mm	14471	30	4800
	50mm	14472	30	4800
	Mini Design			
	35mm	14473	30	4800
	50mm	14474	30	4800
	Midi Transparent			
	35mm	14461	30	4800
	50mm	14462	30	4800
	Midi Soft Cover			
	35mm	14464	30	4800
	50mm	14465	30	4800
	50mm Custom Peel	14466	30	4800
	Midi Design			
	35mm	14467	30	4800
	50mm	14468	30	4800
	50mm Custom Peel	14469	30	4800

STOMA APPLIANCES

TWO PIECE OSTOMY SYSTEMS

Manufacturer	Appliance	Order No.	Quantity	List Price p
Coloplast Ltd	Easiflex Closed Bags with Dual Filter			
	Maxi Transparent			
	35mm	14481	30	4800
	50mm	14482	30	4800
	50mm Custom Peel	14483	30	4800
	70mm	14478	30	4800
	Maxi Soft Cover			
	35mm	14484	30	4800
	50mm	14485	30	4800
	50mm Custom Peel	14486	30	4800
	70mm	14479	30	4800
	Maxi Design			
	35mm	14487	30	4800
	50mm	14488	30	4800
	50mm Custom Peel	14489	30	4800
	Extra Large Transparent			
	70mm	14476	30	4800
	Extra Large Soft Cover			
	70mm	14477	30	4800
	Easiflex Drainable Bags with Hide-Away Outlet			
	Midi Transparent			
	35mm	14341	30	4741
	50mm	14342	30	4741
	Midi Soft Cover			
	35mm	14346	30	4741
	50mm	14347	30	4741
	50mm Custom Peel	14348	30	4741
	Midi design			
	35mm	14351	30	4741
	50mm	14352	30	4741
	50mm Custom Peel	14353	30	4741
	Maxi Transparent			
	35mm	14356	30	4741
	50mm	14357	30	4741
	50mm Custom Peel	14358	30	4741
	70mm	14344	30	4741
	Maxi Soft Cover			
	35mm	14361	30	4741
	50mm	14362	30	4741
	50mm Custom Peel	14363	30	4741
	70mm	14349	30	4741
	Maxi Design			
	35mm	14366	30	4741
	50mm	14367	30	4741
	50mm Custom Peel	14368	30	4741
	Extra Large Transparent			
	70mm	14359	30	4741
	Extra Large Soft Cover			
	70mm	14364	30	4741
	Mini Soft Cover			
	35mm	14376	30	4741
	50mm	14377	30	4741

IXC

STOMA APPLIANCES

TWO PIECE OSTOMY SYSTEMS

Manufacturer	Appliance	Order No.	Quantity	List Price p
Coloplast Ltd	Easiflex Soft Seal baseplate			
	Important: This product with integral convexity should only be used after prior assessment of suitability by an appropriate medical professional.			
	35mm flange, starter hole 15-23mm	14401	5	1850
	50mm flange, starter hole 15-33mm	14402	5	1850
	50mm flange, starter hole 15-43mm	14403	5	1850
	35mm flange, pre-cut 18mm	14641	5	1850
	35mm flange, pre-cut 21mm	14642	5	1850
	50mm flange, pre-cut 25mm	14643	5	1850
	50mm flange, pre-cut 28mm	14644	5	1850
	50mm flange, pre-cut 31mm	14645	5	1850
	50mm flange, pre-cut 35mm	14646	5	1850
	50mm flange, pre-cut 38mm	14647	5	1850
	50mm flange, pre-cut 41mm	14648	5	1850
	MC 2002			
	Base Plates			
	40mm flanges 15mm stoma	6742	5	1645
	40mm flanges 25mm stoma	6743	5	1645
	60mm flanges 35mm stoma	6764	5	1645
	60mm flanges 45mm stoma	6765	5	1645
	Closed Pouches			
	Clear			
	40mm	6641	30	4455
	60mm	6661	30	4455
	Opaque			
	40mm	6642	30	4455
	60mm	6662	30	4455
	Open Pouches			
	Clear - 40mm	6541	30	4917
	60mm	6561	30	4917
	Opaque - 40mm	6542	30	4917
	60mm	6562	30	4917
	Belt Plates			
	40mm	4270	1	66
	60mm	4271	1	66
	URO2002			
	Base Plates			
	40mm flange	4245	5	1687
	60mm flange	4265	5	1687
	Bags			
	40mm Large	4240	20	6532
	Small	4241	20	6532
	60mm Large	4260	20	6532
	Conseal			
	Base Plates			
	40mm	1200	5	1576
	50mm	1250	5	1576
	Colostomy Plug			
	40 x 35mm	1235	10	1436
	40 x 45mm	1245	10	1436
	50 x 35mm	1285	10	1436
	50 x 45mm	1295	10	1436
	Closed Bag			
	40mm	1210	30	4263
	50mm	1260	30	4263

STOMA APPLIANCES

TWO PIECE OSTOMY SYSTEMS

Manufacturer	Appliance	Order No.	Quantity	List Price p
ConvaTec Ltd	Combihesive Natura			
	Durahesive Convex flange with Flexible Collar. Mouldable			
	Important: This product with integral convexity should only be used after prior assessment of suitability by an appropriate medical professional.			
	13-22mm (for 45mm pouches)	S7304	10	3070
	22-33mm (for 45mm pouches)	S7305	10	3070
	33-45mm (for 57mm pouches)	S7306	10	3070
	Durahesive with Convex-IT Flange			
	Important: This product with deep convexity should only be used after prior assessment of suitability by an appropriate medical professional.			
	13mm/45mm	S7325	5	1530
	16mm/45mm	S7326	5	1530
	19mm/45mm	S7327	5	1530
	22mm/45mm	S7328	5	1530
	25mm/45mm	S7329	5	1530
	28mm/45mm	S7330	5	1530
	32mm/45mm	S7331	5	1530
	35mm/45mm	S7332	5	1530
	38mm/57mm	S7335	5	1530
	41mm/57mm	S7336	5	1530
	45mm/57mm	S7337	5	1530
	50mm/57mm	S7338	5	1530
	Flexible Flange with Micropore Surround (Oval)			
	32mm	S7244	5	1502
	38mm	S7245	5	1502
	45mm	S7246	5	1502
	57mm	S7247	5	1502
	70mm	S7248	5	1502
	Flexible Flange with Micropore Surround (Square)			
	Wafer size 100mm x 100mm			
	32mm	S7238	10	2849
	38mm	S7239	10	2849
	45mm	S7240	10	2849
	Wafer size 127mm x 127mm			
	57mm	S7241	10	2849
	70mm	S7242	10	2849
	Stomahesive Flange			
	32mm	S7294	10	2630
	38mm	S7295	10	2630
	45mm	S7296	10	2630
	57mm	S7297	10	2630
	70mm	S7298	10	2630
	100mm	S7299	10	2630

IXC

STOMA APPLIANCES

TWO PIECE OSTOMY SYSTEMS

Manufacturer	Appliance	Order No.	Quantity	List Price p
ConvaTec Ltd	Combihesive Natura			
	Stomahesive Flexible Flange			
	32mm	S7340	10	2841
	38mm	S7341	10	2841
	45mm	S7342	10	2841
	57mm	S7343	10	2841
	70mm	S7344	10	2841
	Flange Cap with Filter			
	Opaque			
	38mm	S7250	25	2484
	45mm	S7251	25	2484
	57mm	S7252	25	2484
	Closed Pouch with filter			
	Standard Size - Opaque			
	32mm	S7254	30	3633
	38mm	S7255	30	3633
	45mm	S7256	30	3633
	57mm	S7257	30	3633
	70mm	S7258	30	3633
	Midi Size - Opaque			
	32mm	S7290F	20	2139
	38mm	S7291F	20	2139
	45mm	S7292F	20	2139
	57mm	S7293F	20	2139
	Closed pouch no filter			
	Standard size - Opaque			
	32mm	S7215	30	3415
	38mm	S7216	30	3415
	45mm	S7217	30	3415
	57mm	S7218	30	3415
	70mm	S7219	30	3415
	Mini size - Opaque			
	32mm	S7290	20	1991
	38mm	S7291	20	1991
	45mm	S7292	20	1991
	57mm	S7293	20	1991
	Convex inserts for use with above - see Pressure Plates			
	Drainable Pouch			
	Standard Size - Opaque			
	32mm	S7269	10	1203
	38mm	S7270	10	1203
	45mm	S7271	10	1203
	57mm	S7272	10	1203
	70mm	S7273	10	1203

STOMA APPLIANCES**TWO PIECE OSTOMY SYSTEMS**

Manufacturer	Appliance	Order No.	Quantity	List Price p
ConvaTec Ltd	Combihesive Natura			
	Small Size - Opaque			
	32mm	S7279	10	1203
	38mm	S7280	10	1203
	45mm	S7281	10	1203
	57mm	S7282	10	1203
	70mm	S7283	10	1203
	Standard Size - Clear			
	32mm	S7228	10	1203
	38mm	S7229	10	1203
	45mm	S7230	10	1203
	57mm	S7231	10	1203
	70mm	S7232	10	1203
	100mm	S7233	10	2134
	Drainable Pouch with Filter			
	Standard Size - Opaque for:-			
	32mm flange	S7400	10	1180
	38mm flange	S7401	10	1180
	45mm flange	S7402	10	1180
	57mm flange	S7403	10	1180
	70mm flange	S7404	10	1180
	● Small Size - Opaque for:-			
	32mm flange	S7406	10	1180
	38mm flange	S7407	10	1180
	45mm flange	S7408	10	1180
	57mm flange	S7409	10	1180
	70mm flange	S7410	10	1180
● Temporarily Unavailable	Stomahesive Flange with Flexible Hydrocolloid Collar			
	32mm	S7201	10	3137
	38mm	S7202	10	3137
	45mm	S7203	10	3137
	57mm	S7204	10	3137
	70mm	S7205	10	3137
	Urostomy Pouch with Improved Accuseal Tap			
	Standard Size - Clear for:-			
	32mm flange	S7380	10	2635
	38mm flange	S7381	10	2635
	45mm flange	S7382	10	2635
	57mm flange	S7383	10	2635
	70mm flange	S7384	10	2635
	Urostomy Pouch with Improved Accuseal Tap			
	Standard Size - Opaque for:-			
	32mm flange	S7370	10	2635
	38mm flange	S7371	10	2635
	45mm flange	S7372	10	2635
	57mm flange	S7373	10	2635

IXC

STOMA APPLIANCES

TWO PIECE OSTOMY SYSTEMS

Manufacturer	Appliance	Order No.	Quantity	List Price p
ConvaTec Ltd	Combihesive Natura			
	Small Size - Opaque for:-			
	32mm flange	S7390	10	2635
	38mm flange	S7391	10	2635
	45mm flange	S7392	10	2635
	57mm flange	S7393	10	2635
	Urostomy Pouch with Standard Tap			
	Standard Size - Clear for:-			
	32mm flange	S7350	10	2571
	38mm flange	S7351	10	2571
	45mm flange	S7352	10	2571
	57mm flange	S7353	10	2571
	70mm flange	S7354	10	2784
	100mm flange	S7355	10	3866
	Small Size - Clear for:-			
	32mm flange	S7360	10	2571
	38mm flange	S7361	10	2571
	45mm flange	S7362	10	2571
	57mm flange	S7363	10	2571

Manufacturer	Appliance	Order No.	Quantity	List Price p
	Combihesive Natura Little Ones			
	Stomahesive Wafer with Flexible Collar			
	32mm (75mm x 75mm)	S7811	5	1503
	45mm (100mm x 100mm)	S7812	5	1503
	Closed Pouch			
	32mm	S7891	20	2016
	45mm	S7892	20	2016
	Drainable Pouch			
	32mm	S7880	10	1181
	45mm	S7881	10	1181
	Urostomy Pouch			
	32mm	S7850	10	2574
	Combihesive Natura High Output			
	Drainable Pouch with Filter Opaque for:-			
	45mm	S7467	5	1925
	57mm	S7468	5	1925
	70mm	S7469	5	1925
	Consecura Low Profile			
	Locking flange with Micropore surround			
	35mm	S601LP	5	1394
	45mm	S602LP	5	1394
	57mm	S603LP	5	1394
	70mm	S604LP	5	1394

STOMA APPLIANCES

TWO PIECE OSTOMY SYSTEMS

Manufacturer	Appliance	Order No.	Quantity	List Price p
ConvaTec Ltd	Consecura Low Profile			
	Stomahesive Locking Flange			
	35mm	S590LP	5	1394
	45mm	S591LP	5	1394
	57mm	S592LP	5	1394
	70mm	S593LP	5	1394
	100mm	S594LP	5	3080
	Closed Pouch with Filter Standard Size			
	Opaque for:			
	35mm flange	S616LP	30	3504
	45mm flange	S617LP	30	3504
	57mm flange	S618LP	30	3504
	70mm flange	S619LP	30	3504
	Clear for:-			
	35mm flange	S630LP	30	3504
	45mm flange	S631LP	30	3504
	57mm flange	S632LP	30	3504
	70mm flange	S633LP	30	3504
	Drainable Pouch Standard Size			
	Opaque for:-			
	35mm flange	S606LP	10	1161
	45mm flange	S607LP	10	1161
	57mm flange	S608LP	10	1161
	70mm flange	S609LP	10	1161
	Clear for:-			
	35mm flange	S611LP	10	1161
	45mm flange	S612LP	10	1161
	57mm flange	S613LP	10	1161
	70mm flange	S614LP	10	1161
	100mm flange	S615LP	10	1989
	Urostomy Pouch with Accuseal Tap Standard Size -			
	Clear for:-			
	35mm flange	S640LP	10	2530
	45mm flange	S641LP	10	2530
	57mm flange	S642LP	10	2530
	Opaque for:-			
	35mm flange	S655LP	10	2530
	45mm flange	S656LP	10	2530
	57mm flange	S657LP	10	2530
	70mm flange	S658LP	10	2530
	Urostomy Pouch with Fold-up Tap Standard Size -			
	Clear for:-			
	35mm flange	S635LP	10	2530
	45mm flange	S636LP	10	2530
	57mm flange	S637LP	10	2530

IXC

STOMA APPLIANCES**TWO PIECE OSTOMY SYSTEMS**

Manufacturer	Appliance	Order No.	Quantity	List Price p
ConvaTec Ltd	Esteem Synergy			
	Durahesive Convex Skin Barrier with Flexible Collar Mouldable			
	13-22mm (for 13-35mm pouches)	S1180	10	3626
	22-33mm (for 13-48mm pouches)	S1181	10	3626
	33-45mm (for 13-61mm pouches)	S1182	10	3626
	Stomahesive Skin Barrier			
	cut-to-fit			
	13-35mm	S1130	10	3103
	13-48mm	S1131	10	3103
	13-61mm	S1132	10	3103
	13-89mm	S1133	10	3103
	Stomahesive Skin Barrier with Flexible Collar			
	cut-to-fit			
	13-35mm	S1100	10	3362
	13-48mm	S1101	10	3362
	13-61mm	S1102	10	3362
	pre-cut			
	19mm	S1142	10	3360
	25mm	S1144	10	3360
	32mm	S1146	10	3360
	35mm	S1147	10	3360
	38mm	S1148	10	3360
	45mm	S1150	10	3360
	Stomahesive Skin Barrier with Flexible Hydrocolloid Collar			
	cut-to-fit			
	13-35mm	S1190	10	3626
	13-48mm	S1191	10	3626
	13-61mm	S1192	10	3626
	Closed Pouch with Filter (2-sided Comfort Backing)			
	Opaque - Standard (22.8cm) for:-			
	13-35mm barrier	S1062F	30	4310
	13-48mm barrier	S1063F	30	4310
	13-61mm barrier	S1064F	30	4310
	Opaque - Small (19.8cm) for:-			
	13-35mm barrier	S1053F	30	4041
	13-48mm barrier	S1054F	30	4041
	13-61mm barrier	S1055F	30	4041
	Closed Pouch with Filter (1-sided Comfort Backing)			
	Transparent - Standard (22.8cm) for:-			
	13-35mm barrier	S1050F	30	4310
	13-48mm barrier	S1051F	30	4310
	13-61mm barrier	S1052F	30	4310
	Transparent - Small (19.8cm) for:-			
	13-35mm barrier	S1056F	30	4041
	13-48mm barrier	S1057F	30	4041
	13-61mm barrier	S1058F	30	4041

STOMA APPLIANCES**TWO PIECE OSTOMY SYSTEMS**

Manufacturer	Appliance	Order No.	Quantity	List Price p
ConvaTec Ltd	Esteem Synergy			
	Closed Pouch without Filter (2-sided Comfort Backing)			
	Opaque - Standard (22.8cm) for:-			
	13-35mm barrier	S1058N	30	4041
	13-48mm barrier	S1056N	30	4041
	13-61mm barrier	S1057N	30	4041
	Opaque - Small (19.8cm) for:-			
	13-35mm barrier	S1053N	30	3496
	13-48mm barrier	S1054N	30	3496
	13-61mm barrier	S1055N	30	3496
	Closed Pouch without Filter (1-sided Comfort Backing)			
	Opaque - Mini (16.3cm) for:-			
	13-35mm barrier	S1060N	20	2335
	13-48mm barrier	S1061N	20	2335
	Drainable Pouch with InvisiClose outlet and Filter (2-sided Comfort Backing)			
	Opaque - Standard - Right (30.8cm) for:-			
	13-35mm barrier	S1210F	30	4828
	13-48mm barrier	S1211F	30	4828
	13-61mm barrier	S1212F	30	4828
	Opaque - Small - Right (27.6cm) for:-			
	13-35mm barrier	S1230F	30	4828
	13-48mm barrier	S1231F	30	4828
	Drainable Pouch with Filter (2-sided Comfort Backing)			
	Opaque - Standard - Right (30.4cm) for:-			
	13-35mm barrier	S1020F	10	1439
	13-48mm barrier	S1021F	10	1439
	13-61mm barrier	S1022F	10	1439
	Opaque - Small - Right (26.5cm) for:-			
	13-35mm barrier	S1040F	10	1439
	13-48mm barrier	S1041F	10	1439

IXC

STOMA APPLIANCES

TWO PIECE OSTOMY SYSTEMS

Manufacturer	Appliance	Order No.	Quantity	List Price p
ConvaTec Ltd	Esteem Synergy			
	Drainable Pouch with InvisiClose outlet and Filter (1-sided Comfort Backing)			
	Transparent - Standard - Right (30.8cm) for:-			
	13-35mm barrier	S1220F	30	4828
	13-48mm barrier	S1221F	30	4828
	13-61mm barrier	S1222F	30	4828
	Opaque - Standard - Left (30.8cm) for:-			
	13-35mm barrier	S1215F	30	4828
	13-48mm barrier	S1216F	30	4828
	13-61mm barrier	S1217F	30	4828
	Drainable Pouch with Filter (1-sided Comfort Backing)			
	Transparent - Standard - Right (30.4cm) for:-			
	13-35mm barrier	S1005F	10	1439
	13-48mm barrier	S1006F	10	1439
	13-61mm barrier	S1007F	10	1439
	Transparent - Standard - Left (30.4cm) for:-			
	13-35mm barrier	S1001F	10	1439
	13-48mm barrier	S1002F	10	1439
	13-61mm barrier	S1003F	10	1439
	Drainable Pouch with InvisiClose outlet and no Filter (2-sided Comfort Backing)			
	Opaque - Small - Right (27.6cm) for:-			
	13-35mm barrier	S1235N	10	1557
	13-48mm barrier	S1236N	10	1557
	Drainable Pouch no Filter (2-sided Comfort Backing)			
	Opaque - Standard - Right (30.4cm) for:-			
	13-35mm barrier	S1020N	10	1392
	13-48mm barrier	S1021N	10	1392
	13-61mm barrier	S1022N	10	1392
	Opaque - Small - Right (26.5cm) for:-			
	13-35mm barrier	S1040N	10	1392
	13-48mm barrier	S1041N	10	1392
	Opaque - Standard - Left (30.4cm) for:-			
	13-35mm barrier	S1025N	10	1392
	13-48mm barrier	S1026N	10	1392
	13-61mm barrier	S1027N	10	1392
	Opaque - Small - Left (26.5cm) for:-			
	13-35mm barrier	S1045N	10	1392
	13-48mm barrier	S1046N	10	1392
	Drainable Pouch no Filter (1-sided Comfort Backing)			
	Transparent - Extra Large - Straight (35.2cm) for:-			
	13-89mm barrier	S1009N	10	2877

STOMA APPLIANCES

TWO PIECE OSTOMY SYSTEMS

Manufacturer	Appliance	Order No.	Quantity	List Price p
Dansac Ltd	Nova 2 Convex Flange			
	Important: this product with deep convexity should only be used after prior assessment of suitability by an appropriate medical professional.			
	36mm Flange			
	cut-to-fit 15-23mm	1536-15	5	1497
	pre-cut 20mm	1536-20	5	1497
	pre-cut 23mm	1536-23	5	1497
	43mm Flange			
	cut-to-fit 15-30mm	1543-15	5	1497
	pre-cut 25mm	1543-25	5	1497
	pre-cut 30mm	1543-30	5	1497
	55mm Flange			
	cut-to-fit 15-42mm	1555-15	5	1497
	pre-cut 35mm	1555-35	5	1497
	pre-cut 40mm	1555-40	5	1497
	Nova 2 Easifold Drainable Pouches			
	Opaque Symmetrical			
	36mm Flange	1215-36	10	1395
	43mm Flange	1215-43	10	1395
	55mm Flange	1215-55	10	1395
	70mm Flange	1215-70	10	1395
	Clear Symmetrical			
	36mm Flange	1216-36	10	1395
	43mm Flange	1216-43	10	1395
	55mm Flange	1216-55	10	1395
	70mm Flange	1216-70	10	1395
	Nova 2 Soft Convex Flange			
	43mm Flange (3mm depth)			
	cut-to-fit (15-30mm)	1343-15	5	1497
	pre-cut 25mm	1343-25	5	1497
	55mm Flange (3mm depth)			
	cut-to-fit (15-42mm)	1355-15	5	1497
	pre-cut 32mm	1355-32	5	1497
	pre-cut 35mm	1355-35	5	1497
	43mm Flange (5mm depth)			
	pre-cut 18mm	1443-18	5	1497
	pre-cut 21mm	1443-21	5	1497
	pre-cut 25mm	1443-25	5	1497
	pre-cut 28mm	1443-28	5	1497
	55mm Flange (5mm depth)			
	pre-cut 32mm	1455-32	5	1497
	pre-cut 35mm	1455-35	5	1497
	pre-cut 38mm	1455-38	5	1497

IXC

STOMA APPLIANCES

TWO PIECE OSTOMY SYSTEMS

Manufacturer	Appliance	Order No.	Quantity	List Price p
Dansac Ltd	Nova 2 Flange			
	36mm Flange			
	starter hole 12-28mm	1136-12	5	1444
	starter hole 15-28mm	1136-15	5	1471
	pre-cut 20mm	1136-20	5	1471
	pre-cut 25mm	1136-25	5	1471
	43mm Flange			
	starter hole 15-35mm	1143-15	5	1471
	pre-cut 25mm	1143-25	5	1471
	pre-cut 30mm	1143-30	5	1471
	55mm Flange			
	starter hole 15-47mm	1155-15	5	1471
	pre-cut 35mm	1155-35	5	1471
	pre-cut 40mm	1155-40	5	1471
	70mm Flange			
	starter hole 15-60mm	1170-15	5	1471
	pre-cut 45mm	1170-45	5	1471
	pre-cut 50mm	1170-50	5	1471
	Nova 2 Closed Pouches including water repellent soft fabric cover and twin filter technology			
	Opaque			
	36mm Flange	1201-36	30	3712
	43mm Flange	1201-43	30	3712
	55mm Flange	1201-55	30	3712
	70mm Flange	1201-70	30	3712
	Clear			
	36mm Flange	1202-36	30	3712
	43mm Flange	1202-43	30	3712
	55mm Flange	1202-55	30	3712
	70mm Flange	1202-70	30	3712
	Nova 2 Drainable Pouches including filtration system and water repellent soft fabric covers			
	Opaque			
	36mm Flange	1213-36	10	1234
	43mm Flange	1213-43	10	1234
	55mm Flange	1213-55	10	1234
	70mm Flange	1213-70	10	1234
	Clear			
	36mm Flange	1214-36	10	1234
	43mm Flange	1214-43	10	1234
	55mm Flange	1214-55	10	1234
	70mm Flange	1214-70	10	1234
	Nova 2 Sym Drainable Pouches including filtration system and water repellent soft fabric covers			
	Opaque			
	36mm Flange	1211-36	10	1234
	43mm Flange	1211-43	10	1234
	55mm Flange	1211-55	10	1234
	70mm Flange	1211-70	10	1234

STOMA APPLIANCES

TWO PIECE OSTOMY SYSTEMS

Manufacturer	Appliance	Order No.	Quantity	List Price p
Dansac Ltd	Clear			
	36mm Flange	1212-36	10	1234
	43mm Flange	1212-43	10	1234
	55mm Flange	1212-55	10	1234
	70mm Flange	1212-70	10	1234
	Nova 2 Urostomy pouch			
	Opaque			
	36mm Flange	1217-36	10	2636
	43mm Flange	1217-43	10	2636
	55mm Flange	1217-55	10	2636
	Clear			
	36mm Flange	1218-36	10	2636
	43mm Flange	1218-43	10	2636
	55mm Flange	1218-55	10	2636

Manufacturer	Appliance	Order No.	Quantity	List Price p
	Unique 2 Flexi Flange			
	36mm Flange (100mm x 100mm)			
	starter hole (15-28mm)	536-15	5	1514
	pre-cut 20mm	536-20	5	1514
	pre-cut 25mm	536-25	5	1514
	43mm Flange (100mm x 100mm)			
	starter hole (15-35mm)	543-15	5	1514
	pre-cut 30mm	543-30	5	1514
	55mm Flange (100mm x 100mm)			
	starter hole (15-47mm)	555-15	5	1514
	pre-cut 35mm	555-35	5	1514
	pre-cut 40mm	555-40	5	1514
	80mm Flange (125mm x 125mm)			
	starter hole (15-70mm)	580-15	5	1544
	pre-cut 45mm	580-45	5	1544
	pre-cut 50mm	580-50	5	1544
	Unique 2 S Flange			
	30mm Flange (100mm x 100mm)			
	starter hole (10-22mm)	430-10	5	1461
	pre-cut 15mm	430-15	5	1461
	36mm Flange (100mm x 100mm)			
	starter hole (15-28mm)	436-15	5	1461
	pre-cut 20mm	436-20	5	1461
	pre-cut 25mm	436-25	5	1461
	43mm Flange (100mm x 100mm)			
	starter hole (15-35mm)	443-15	5	1461
	pre-cut 30mm	443-30	5	1461
	55mm Flange (100mm x 100mm)			
	starter hole (15-47mm)	455-15	5	1461
	pre-cut 35mm	455-35	5	1461
	pre-cut 40mm	455-40	5	1461
	80mm Flange (125mm x 125mm)			
	starter hole (15-70mm)	480-15	5	1463
	pre-cut 45mm	480-45	5	1463
	pre-cut 50mm	480-50	5	1463
	Unique 2 Convex Flange			
	Important: This product with deep convexity should only be used after prior assessment of suitability by an appropriate medical professional.			
	36mm Flange (100mm x 100mm)			
	starter hole (15-25mm)	736-15	5	1517
	pre-cut 20mm	736-20	5	1517
	pre-cut 25mm	736-25	5	1517

IXC

STOMA APPLIANCES

TWO PIECE OSTOMY SYSTEMS

Manufacturer	Appliance	Order No.	Quantity	List Price p
Dansac Ltd	43mm Flange (100mm x 100mm)			
	starter hole (15-32mm)	743-15	5	1517
	pre-cut 25mm	743-25	5	1517
	pre-cut 30mm	743-30	5	1517
	55mm Flange (115mm x 115mm)			
	starter hole (15-44mm)	755-15	5	1517
	pre-cut 35mm	755-35	5	1517
	pre-cut 40mm	755-40	5	1517
Manufacturer	Appliance	Order No.	Quantity	List Price p
	Urostomy Drainable Pouch			
	(includes 1 Dansac Drain Tube Adaptor and 3 caps)			
	Opaque with spunlace backing for:			
	30mm Flange	401-30	10	2627
	36mm Flange	401-36	10	2627
	43mm Flange	401-43	10	2627
	55mm Flange	401-55	10	2627
	Clear with spunlace backing for:			
	30mm Flange	402-30	10	2627
	36mm Flange	402-36	10	2627
	43mm Flange	402-43	10	2627
	55mm Flange	402-55	10	2627
	Unique 2 Closed Pouch			
	Opaque with spunlace cover next to skin for:			
	36mm Flange	501-36	30	3700
	43mm Flange	501-43	30	3700
	55mm Flange	501-55	30	3700
	80mm Flange	501-80	30	3700
	Clear with spunlace cover next to skin for:			
	36mm Flange	502-36	30	3700
	43mm Flange	502-43	30	3700
	55mm Flange	502-55	30	3700
	80mm Flange	502-80	30	3700
	Unique 2 Plus Closed Pouch			
	Opaque with spunlace cover front and back for:			
	36mm Flange	505-36	30	3621
	43mm Flange	505-43	30	3621
	55mm Flange	505-55	30	3621
	80mm Flange	505-80	30	3621
	Unique 2 Mini Closed Pouch			
	Opaque with spunlace cover front and back for:			
	36mm Flange	503-36	30	3074
	43mm Flange	503-43	30	3074
	55mm Flange	503-55	30	3074
	Unique 2 MiniCap			
	Opaque for:			
	36mm Flange	507-36	30	3225
	43mm Flange	507-43	30	3225
	55mm Flange	507-55	30	3225
	Unique 2 Drainable Regular			
	Opaque with spunlace cover next to skin for:			
	36mm Flange	511-36	10	1223
	43mm Flange	511-43	10	1223
	55mm Flange	511-55	10	1223
	80mm Flange	511-80	10	1223
	Clear with spunlace cover next to skin for:			
	36mm Flange	512-36	10	1223
	43mm Flange	512-43	10	1223
	55mm Flange	512-55	10	1223
	80mm Flange	512-80	10	1223

STOMA APPLIANCES

TWO PIECE OSTOMY SYSTEMS

Manufacturer	Appliance	Order No.	Quantity	List Price p
Dansac Ltd	Unique 2 Drainable Large			
	Opaque with spunlace cover next to skin for:			
	36mm Flange	521-36	10	1223
	43mm Flange	521-43	10	1223
	55mm Flange	521-55	10	1223
	80mm Flange	521-80	10	1223
	Clear with spunlace cover next to skin for:			
	36mm Flange	522-36	10	1223
	43mm Flange	522-43	10	1223
	55mm Flange	522-55	10	1223
	80mm Flange	522-80	10	1223
	InVent 2 - Drainable with filter , soft spunlace backing on both sides, anatomically shaped			
	Opaque			
	36mm Flange	513-36	10	1179
	43mm Flange	513-43	10	1179
	55mm Flange	513-55	10	1179
	InVent 2 Mini Drainable with filter , soft spun lace material on both sides, anatomically shaped			
	Opaque			
	36mm Flange	519-36	10	1182
	43mm Flange	519-43	10	1182
	55mm Flange	519-55	10	1182
	InVent 2 Sym - Drainable Symmetrical pouch with filter , soft spunlace backing, symmetrically shaped			
	Opaque			
	36mm Flange	515-36	10	1200
	43mm Flange	515-43	10	1200
	55mm Flange	515-55	10	1200
	Clear			
	36mm Flange	516-36	10	1200
	43mm Flange	516-43	10	1200
	55mm Flange	516-55	10	1200
	80mm Flange	518-80	10	1200

IXC

Manufacturer	Appliance	Order No.	Quantity	List Price p
DBT Medical Ltd	† Black Rubber Bag (for use with flange)			
	Screw outlet			
	Large	D362129	1	3063 △
	Small	D362229	1	3063 △
	Special	D362099	1	3185 △
	Spout outlet			
	Large	D372129	1	2137 △
	Small	D372229	1	2137 △
	Special	D372099	1	2269 △
	Tap outlet			
	Medium	D382229	1	3786 △
	Small	D382329	1	3786 △
	Special	D382099	1	3867 △

† to be deleted 1 April 2005

STOMA APPLIANCES

TWO PIECE OSTOMY SYSTEMS

Manufacturer	Appliance	Order No.	Quantity	List Price p
Hollister Ltd	Conform 2			
	Fixed Flange			
	35mm flange 13-30mm stoma	23100	5	1419
	35mm flange 20mm stoma	23120	5	1419
	35mm flange 25mm stoma	23125	5	1419
	35mm flange 30mm stoma	23130	5	1419
	45mm flange 30mm stoma	24130	5	1419
	45mm flange 35mm stoma	24135	5	1419
	45mm flange 40mm stoma	24140	5	1419
	45mm flange 13-40mm stoma	24100	5	1419
	55mm flange 13-50mm stoma	25100	5	1419
	55mm flange 45mm stoma	25145	5	1419
	70mm flange 13-65mm stoma	27100	5	1419
	Flex Wear Flange			
	35mm fixed flange 20mm	33120	5	1419
	35mm fixed flange 25mm	33125	5	1419
	35mm fixed flange 30mm	33130	5	1419
	45mm fixed flange 13-40mm	34100	5	1419
	45mm fixed flange 35mm	34135	5	1419
	45mm fixed flange 40mm	34140	5	1419
	55mm fixed flange 13-40mm	35200	5	1419
	Floating Flange			
	45mm flange 13-30mm stoma	24200	5	1419
	55mm flange 13-40mm stoma	25200	5	1419
	70mm flange 13-55mm stoma	27200	5	1419
	Convex-Floating Flange			
	45mm flange 13-25mm stoma	24300	5	1522
	45mm flange 22mm stoma	24322	5	1522
	45mm flange 25mm stoma	24325	5	1522
	55mm flange 13-38mm stoma	25300	5	1522
	55mm flange 29mm stoma	25329	5	1522
	55mm flange 32mm stoma	25332	5	1522
	70mm flange 15-51mm stoma	27300	5	1522
	Closed Pouch			
	With beige comfort backing			
	45mm	24400	30	3438
	55mm	25400	30	3438
	70mm	27400	30	3438
	transparent front, beige comfort backing on body worn side			
	45mm	24500	30	3438
	55mm	25500	30	3438
	70mm	27500	30	3438
	Drainable Pouch			
	Transparent			
	45mm	24600	10	1157
	55mm	25600	10	1157
	70mm	27600	10	1157
	Drainable Pouch with Filter - anatomical shape			
	Beige			
	35mm	23720	30	3605
	45mm	24720	30	3605
	55mm	25720	30	3605

STOMA APPLIANCES

TWO PIECE OSTOMY SYSTEMS

Manufacturer	Appliance	Order No.	Quantity	List Price p
Hollister Ltd	Conform 2			
	Transparent			
	35mm	23820	30	3605
	45mm	24820	30	3605
	55mm	25820	30	3605
	Beige with comfort backing on both sides			
	45mm	24420	30	3900
	55mm	25420	30	3900
	70mm	27420	30	3900
	Mini Drainable Pouch with Filter, Beige			
	35mm	23710	30	3605
	45mm	24710	30	3605
	55mm	25710	30	3605
	Urostomy Pouches			
	Beige			
	35mm	23730	10	2597
	45mm	24730	10	2597
	55mm	25730	10	2597
	Transparent			
	35mm	23830	10	2597
	45mm	24830	10	2597
	55mm	25830	10	2597

IXC

Manufacturer	Appliance	Order No.	Quantity	List Price p
	Conform 2 with Lock'n'Roll Closure			
	Drainable Pouch, anatomical shape with integral filter and Lock and Roll closure system			
	Midi - Beige with comfort backing on both sides			
	35mm	23750	30	4149
	45mm	24750	30	4149
	55mm	25750	30	4149
	Midi - Transparent with comfort backing on body side only			
	35mm	23850	30	4149
	45mm	24850	30	4149
	55mm	25850	30	4149
	Drainable Pouch, symmetrical shape with integral filter and Lock and Roll closure system			
	Maxi - Beige with comfort backing on both sides			
	35mm	23760	30	4225
	45mm	24760	30	4225
	55mm	25760	30	4225
	70mm	27760	30	4225
	Maxi - Transparent with comfort backing on body side only			
	35mm	23860	30	4225
	45mm	23860	30	4225
	55mm	25860	30	4225
	70mm	27860	30	4225

STOMA APPLIANCES

TWO PIECE OSTOMY SYSTEMS

Manufacturer	Appliance	Order No.	Quantity	List Price p
Hollister Ltd	Tandem Range			
	Floating Flange - Barrier and adhesive			
	cut-to-fit			
	25mm	3727	5	1447
	32mm	3722	5	1447
	44mm	3723	5	1447
	57mm	3724	5	1447
	89mm	3726	5	1500
	pre-cut			
	19mm	3747	5	1447
	25mm	3742	5	1447
	32mm	3748	5	1447
	38mm	3743	5	1447
	44mm	3749	5	1447
	Floating Flange - Barrier only			
	cut-to-fit			
	25mm	3767	5	1447
	32mm	3762	5	1447
	44mm	3763	5	1447
	57mm	3764	5	1447
	89mm	3766	5	1500
	Tandem Range - Impression CPL			
	Convex Flange			
	Convex Flange			
	pre-cut			
	13mm	3730	5	1549
	16mm	3731	5	1549
	19mm	3732	5	1549
	22mm	3733	5	1549
	25mm	3734	5	1549
	29mm	3735	5	1549
	32mm	3736	5	1549
	35mm	3737	5	1549
	38mm	3738	5	1549
	41mm	3739	5	1549
	44mm	37310	5	1549
	51mm	37311	5	1549
	Convex Flange - Barrier only			
	pre-cut			
	13mm	3780	5	1549
	16mm	3781	5	1549
	19mm	3782	5	1549
	22mm	3783	5	1549
	25mm	3784	5	1549
	29mm	3785	5	1549
	32mm	3786	5	1549
	35mm	3787	5	1549
	38mm	3788	5	1549

STOMA APPLIANCES

TWO PIECE OSTOMY SYSTEMS

Manufacturer	Appliance	Order No.	Quantity	List Price p
Hollister Ltd	Tandem Range - Impression CPL Pouches			
	cut-to-fit			
	Up to 25mm	3794	5	1549
	Up to 38mm	3798	5	1549
	Up to 51mm	37911	5	1549
	Closed Pouch			
	Beige - with filter and comfort backing on both sides			
	44mm	3342	30	3566
	57mm	3343	30	3566
	70mm	3344	30	3566
	Drainable Pouch			
	Transparent - with comfort backing on body-worn side only			
	38mm	3807	10	1200
	44mm	3802	10	1200
	57mm	3803	10	1200
	70mm	3804	10	1200
	102mm	3806	10	2308
	Beige - with comfort backing on both sides			
	38mm	3817	10	1200
	44mm	3812	10	1200
	57mm	3813	10	1200
	70mm	3814	10	1200
	Mini Drainable Pouch			
	Beige - with comfort backing on both sides			
	38mm	3847	10	1154
	44mm	3842	10	1154
	57mm	3843	10	1154
	70mm	3844	10	1154
	Urostomy Pouch			
	Transparent - with comfort backing on the body-worn side			
	38mm	3907	10	2643
	44mm	3902	10	2643
	57mm	3903	10	2643
	70mm	3904	10	2643
Manufacturer	Appliance	Order No.	Quantity	List Price p
Mentor Medical Ltd	Beta 2 Piece kit	32-294-08	1	5800
	Beta 2 Piece spare bags	32-294-16	90	15971

IXC

STOMA APPLIANCES

TWO PIECE OSTOMY SYSTEMS

Manufacturer	Appliance	Order No.	Quantity	List Price p
Oakmed Ltd	Option Connect 2			
	Option Connect 2 Skin Wafer			
	cut-to-fit			
	15mm-45mm	JH0015	10	3198
	pre-cut			
	20mm	JH0020	10	3198
	25mm	JH0025	10	3198
	30mm	JH0030	10	3198
	35mm	JH0035	10	3198
	40mm	JH0040	10	3198
	45mm	JH0045	10	3198
	Colostomy with Filter and Soft Covering to both sides			
	To fit up to 45mm Stoma	JH600	30	3989
	Colostomy with Filter and Soft Covering to both sides includes a window			
	To fit up to 45mm Stoma	JH610	30	3989
	Colostomy with Filter and Soft Covering to one side Clear			
	To fit up to 45mm Stoma	JH620	30	3989
	Colostomy Mini with Filter and Soft Covering to both sides			
	To fit up to 45mm Stoma	JH500	30	3870
	Colostomy Mini with Filter and Soft Covering to both sides includes a window			
	To fit up to 45mm Stoma	JH510	30	3870
	Colostomy Mini with Filter and Soft Covering to one side Clear			
	To fit up to 45mm Stoma	JH520	30	3870
	Colostomy Plus with Filter and Soft Covering to both sides			
	To fit up to 45mm Stoma	JH700	30	4120
	Colostomy Plus with Filter and Soft Covering to both sides includes a window			
	To fit up to 45mm Stoma	JH710	30	4120
	Colostomy Plus with Filter and Soft Covering to one side			
	Clear To fit up to 45mm Stoma	JH720	30	4120
	Ileostomy with Filter and Soft Covering to both sides			
	To fit up to 45mm Stoma	JH300	30	4430
	Ileostomy with Filter and Soft Covering to both sides includes a window			
	To fit up to 45mm Stoma	JH310	30	4430
	Ileostomy with Filter and Soft Covering to one side			
	Clear To fit up to 45mm Stoma	JH310	30	4430
	Ileostomy Midi with Filter and Soft Covering to both sides			
	To fit up to 45mm Stoma	JH200	30	4398
	Ileostomy Midi with Filter and Soft Covering to both sides includes a window			
	To fit up to 45mm Stoma	JH210	30	4398
	Ileostomy Midi with Filter and Soft Covering to one side Clear			
	To fit up to 45mm Stoma	JH220	30	4398

STOMA APPLIANCES**TWO PIECE OSTOMY SYSTEMS**

Manufacturer	Appliance	Order No.	Quantity	List Price p
Oakmed Ltd	Option Connect 2			
	Ileostomy Mini with Filter and Soft Covering to both sides			
	To fit up to 45mm Stoma	JH100	30	4130
	Ileostomy Mini with Filter and Soft Covering to both sides includes a window			
	To fit up to 45mm Stoma	JH110	30	4130
	Ileostomy Mini with Filter and Soft Covering to one side Clear			
	To fit up to 45mm Stoma	JH120	30	4130
	Stoma Cap Soft Cover with Filter	JH900	30	3989
	Option Connect 2 Skin Wafer cut-to-fit 20mm-90mm	JH0090 Oval	10	9135
	Option Connect 2 PL			
	Ileostomy			
	Opaque 20mm-90mm	JHPL90	20	9870

Manufacturer	Appliance	Order No.	Quantity	List Price p
	Option Range			
	Option Flange			
	50mm	F500K	5	1357
	70mm	F700K	5	1357
	Colostomy with Filter and Soft Covering to both sides Opaque for:-			
	50mm flange	CA50K	30	3414
	Colostomy Plus with Filter and Soft Covering to one side Clear for:-			
	70mm flange	CD70K	30	3429
	Colostomy Plus with Filter and Soft Covering to both sides Opaque for:-			
	70mm flange	CC70K	30	3469
	Colostomy Plus with Soft Covering to both sides Opaque for:-			
	50mm flange	CH50K	30	3410
	Ileostomy Midi with Filter and Soft Covering to one side Clear for:-			
	50mm flange	IG50K	30	3429
	70mm flange	IG70K	30	3429
	Ileostomy with filter and Soft Covering to one side Clear for:-			
	50mm flange	IB50K	30	3429
	70mm flange	IB70K	30	3429
	Ileostomy Midi with Filter and Soft Covering to both sides Opaque for:-			
	50mm flange	ID50K	30	3450
	70mm flange	ID70K	30	3450
	Ileostomy with Filter and Soft Covering to both sides Opaque for:-			
	50mm flange	IA50K	30	3450
	70mm flange	IA70K	30	3450

IXC

STOMA APPLIANCES

TWO PIECE OSTOMY SYSTEMS

Manufacturer	Appliance	Order No.	Quantity	List Price p	
Salts Healthcare	Black Rubber Bag (for use with flange)				
	Screw outlet				
	Large	362129	1	3471 △	
	Small	362229	1	3471 △	
	Special	362099	1	3606 △	
	Spout outlet				
	Large	372129	1	2425 △	
	Small	372229	1	2425 △	
	White Rubber Bag (for use with flange)				
	Screw outlet				
	Small	461229	1	1155 △	
	Tap outlet				
	Medium	482329	1	1250 △	
	Second Nature Wafer 110 x 100mm				
	32mm flange	2FL32	5	1274 △	
	38mm flange	2FL38	5	1274 △	
	45mm flange	2FL45	5	1274 △	
	Wafer 134 x 124m				
	57mm flange	2FL57	5	1274 △	
	Wafer 151 x 140mm				
	70mm flange	2FL70	10	2876 △	
	Convex inserts for use with above - see "Pressure Plates"				
	Second Nature Closed Pouches				
	Opaque for:				
	32mm Flange	2C32	30	3717 △	
	38mm Flange	2C38	30	3717 △	
	45mm Flange	2C45	30	3717 △	
	57mm Flange	2C57	30	3717 △	
	Transparent/overlap film for:				
	45mm Flange	2CT45	30	3717 △	
	57mm Flange	2CT57	30	3717 △	
	Large 70mm Flange	2CLT70	30	3653 △	
Transparent/no overlap					
Large 70mm Flange	2CLTT70	30	3653 △		
Second Nature Drainable Pouches					
Opaque for:					
32mm Flange	2D32	30	3653 △		
38mm Flange	2D38	30	3653 △		
45mm Flange	2D45	30	3653 △		
57mm Flange	2D57	30	3653 △		
Transparent/overlap film for:					
45mm Flange	2DT45	30	3653 △		
57mm Flange	2DT57	30	3653 △		

STOMA APPLIANCES

TWO PIECE OSTOMY SYSTEMS

Manufacturer	Appliance	Order No.	Quantity	List Price p	
Salts Healthcare	Transparent/overlap film				
	Large 70mm Flange	2DLT70	30	3590 △	
	Transparent/no overlap				
	Large 70mm Flange	2DLTT70	30	3590 △	
	Second Nature Mini Closed Pouches				
	Opaque for:				
		32mm Flange	2CM32	30	3097 △
		38mm Flange	2CM38	30	3097 △
		45mm Flange	2CM45	30	3097 △
		57mm Flange	2CM57	30	3097 △
	Second Nature Mini Drainable Pouches				
	Opaque for:				
		32mm Flange	2DM32	30	3549 △
		38mm Flange	2DM38	30	3549 △
		45mm Flange	2DM45	30	3549 △
		57mm Flange	2DM57	30	3549 △
	Second Nature Urostomy Pouch -				
	transparent/overlap (includes 2 drain tube connectors per pack)				
		32mm Flange	2U32	10	2588 △
		38mm Flange	2U38	10	2588 △
		45mm Flange	2U45	10	2588 △
		57mm Flange	2U57	10	2588 △
	Secuplast Circular Plasters				
	32mm	SP32	10	1075 △	
	38mm	SP38	10	1075 △	
	45mm	SP45	10	1075 △	
	57mm	SP57	10	1075 △	
	70mm	SP70	10	1057 △	
Secu-Ring to fit:					
	32mm Flange	SR32	10	1131 △	
	38mm Flange	SR38	10	1131 △	
	45mm Flange	SR45	10	1131 △	
	57mm Flange	SR57	10	1131 △	
	70mm Flange	SR70	10	1112 △	

IXC

STOMA APPLIANCES

TWO PIECE OSTOMY SYSTEMS

Manufacturer	Appliance	Order No.	Quantity	List Price p
Welland Medical Ltd	Silhouette 2 closed pouch with soft backing and filter			
	Beige			
	45mm	UNC545	30	3420
	60mm	UNC560	30	3420
	Silhouette 2 drainable pouch with soft backing and filter			
	Beige			
	45mm	UNF545	30	3474
	60mm	UNF560	30	3474
	Silhouette 2 urostomy pouch with soft backing and tap			
	Beige			
	45mm	UNU945	10	2539 △
	Clear			
	45mm	UNU745	10	2539 △
	60mm	UNU760	10	2450
	Silhouette 2 urostomy hydrocolloid flange			
	45mm Flange starter hole	UUU413	5	1265 △
	60mm Flange starter hole	UUU613	5	1221
	Silhouette 2 hydrocolloid flange			
	45mm Flange			
	starter hole	UNH410	5	1283
	pre-cut 25mm	UNH425	5	1283
	pre-cut 32mm	UNH432	5	1283
	pre-cut 38mm	UNH438	5	1283
	60mm Flange			
	starter hole	UNH610	5	1283
	pre-cut 32mm	UNH632	5	1283
	pre-cut 44mm	UNH644	5	1283
	pre-cut 51mm	UNH651	5	1283
	pre-cut 57mm	UNH657	5	1283
	Silhouette 2 dual adhesive flange			
	45mm Flange			
	starter hole	UNB410	5	1283
	pre-cut 25mm	UNB425	5	1283
pre-cut 32mm	UNB432	5	1283	
pre-cut 38mm	UNB438	5	1283	
60mm Flange				
starter hole	UNB610	5	1283	
pre-cut 32mm	UNB632	5	1283	
pre-cut 44mm	UNB644	5	1283	
pre-cut 51mm	UNB651	5	1283	
pre-cut 57mm	UNB657	5	1283	

STOMA APPLIANCES

UROSTOMY BAGS

Manufacturer	Appliance	Order No.	Quantity	List Price p
C S Bullen Ltd	Lenbul			
	Bag with tap			
	Day	U5	1	1536
	Night	U6	1	1754
	Bag with large opening			
	Day	U7	1	1594
	Night	U8	1	1821
	Coloplast Ltd	Assura (include 4 drain tube adaptors per pack)		
Urostomy Bag with Soft Backing				
Midi Clear with soft backing on body-worn side cut-to-fit 10-55mm		2550	30	13515
Midi Eu with soft backing on body-worn side cut-to-fit 10-55mm		2540	30	13515
Maxi Clear with soft backing on body-worn side cut-to-fit 10-55mm		2570	30	13515
Maxi Opaque with soft backing on body-worn side cut-to-fit 10-55mm		2560	30	13515
Paediatric Clear with soft backing on body-worn side cut-to-fit 10-35mm		2135	30	13515
Paediatric Opaque with soft backing on body-worn side cut-to-fit 10-35mm		2130	30	13515
Assura Seal Integral Convexity Urostomy Bag				
Maxi Clear				
15mm		12991	10	4309
18mm		12992	10	4309
21mm		12993	10	4309
25mm		12994	10	4309
28mm		12995	10	4309
31mm		12996	10	4309
Maxi Transparent				
starter hole				
15-33mm		12595	10	4309
15-43mm		12596	10	4309
pre-cut				
35mm	12997	10	4309	

IXC

STOMA APPLIANCES**UROSTOMY BAGS**

Manufacturer	Appliance	Order No.	Quantity	List Price p
ConvaTec Ltd	Esteem Urostomy pouch with Fold-Up Tap (includes 2 drain tube adapters per pack)			
	Standard - Opaque cut-to-fit			
	13-45mm	S5140	10	4802
	pre-cut			
	20mm	S5141	10	4802
	25mm	S5142	10	4802
	30mm	S5143	10	4802
	35mm	S5144	10	4802
	Small -Opaque cut-to-fit			
	13-45mm	S5120	10	4802
	pre-cut			
	20mm	S5121	10	4802
	25mm	S5122	10	4802
	30mm	S5123	10	4802
	35mm	S5124	10	4802
	Standard-Transparent cut-to-fit			
	13-45mm	S5130	10	4890
	pre-cut			
	20mm	S5131	10	4890
	25mm	S5132	10	4890
	30mm	S5133	10	4890
	35mm	S5134	10	4890
	● 40mm	S5135	10	4890
	● 45mm	S5136	10	4890
	Small-Transparent cut-to-fit			
	13-45mm	S5110	10	4890
	pre-cut			
	20mm	S5111	10	4890
	25mm	S5112	10	4890
	30mm	S5113	10	4890
	35mm	S5114	10	4890
	● 40mm	S5115	10	4890
	● 45mm	S5116	10	4890
● Please refer to manufacturer for availability	Urodress			
	19mm	S896	10	4890
	25mm	S897	10	4890
	32mm	S898	10	4890
	38mm	S899	10	4890
	45mm	S900	10	4890
	Urodress Deep Convex Urostomy Pouch			
	Clear Standard			
	16mm	S910	5	2153
	19mm	S911	5	2153
	22mm	S912	5	2153
	25mm	S913	5	2153
	28mm	S914	5	2153
	32mm	S915	5	2153
	35mm	S916	5	2153
	38mm	S917	5	2153

STOMA APPLIANCES

UROSTOMY BAGS

Manufacturer	Appliance	Order No.	Quantity	List Price p
Dansac Ltd	Nova 1 Urostomy pouch with 3mm soft convexity			
	Opaque			
	cut-to-fit			
	12-46mm	891-12	10	4968
	pre-cut			
	15mm	891-15	10	4968
	20mm	891-20	10	4968
	25mm	891-25	10	4968
	30mm	891-30	10	4968
	Transparent			
	cut-to-fit			
	12-46mm	892-12	10	4968
DBT Medical Ltd	† Black Bags - Koenig Rutzen style Butyl rubber bag			
	Soft Flange tap outlet and non return valve			
	Large			
	25mm	D181125	1	4010 △
	32mm	D181132	1	4010 △
	Medium			
	19mm	D181319	1	4010 △
	25mm	D181325	1	4010 △
	32mm	D181332	1	4010 △
	38mm	D181338	1	4010 △
	Special	D181099	1	4162 △
	Soft Flange with Bridge, tap outlet and non return valve			
	Large			
	25mm	D185125	1	4681 △
	38mm	D185138	1	4681 △
	Medium			
	19mm	D185319	1	4681 △
	32mm	D185332	1	4681 △
	38mm	D185338	1	4681 △
	Special	D185099	1	4865 △
	† Butyl Rubber Bag			
	Reinforced Flange with tap outlet and non return valve			
	Large			
	19mm	D183119	1	4915 △
	25mm	D183125	1	4915 △
	32mm	D183132	1	4915 △
	38mm	D183138	1	4915 △
	Medium			
	19mm	D183319	1	4915 △
	25mm	D183325	1	4915 △
	32mm	D183332	1	4915 △
	38mm	D183338	1	4915 △
	Special	D183099	1	5099 △
	† Black Rubber Bag			
	Reinforced Flange with Bridge, tap outlet and non return valve			
	Large			
	25mm	D188125	1	5628 △
	32mm	D188132	1	5628 △
	38mm	D188138	1	5628 △
	Medium			
	19mm	D188319	1	5628 △
	Special	D188099	1	5842 △

IXC

† to be deleted 1 April 2005

STOMA APPLIANCES

UROSTOMY BAGS

Manufacturer	Appliance	Order No.	Quantity	List Price p
Hollister Ltd	Compact			
	Urostomy Pouch (All include 1 drain tube per pack)			
	Clear-with beige comfort backing on body-worn side			
	cut-to-fit			
	13-64mm	1400	10	4943
	Transparent-with beige comfort backing on body-worn side			
	cut-to-fit			
	13-64mm	1401	10	4943
	pre-cut			
	13mm	1440	10	4943
	16mm	1441	10	4943
	19mm	1447	10	4943
	25mm	1442	10	4943
	32mm	1448	10	4943
	38mm	1443	10	4943
	44mm	1449	10	4943
	51mm	1444	10	4943
	Lo-Profile			
	With Microporous II Adhesive and Karaya 5 Seal			
	Gasket Size:			
	18mm	1437	10	5586
	25mm	1432	10	5586
	32mm	1438	10	5586
	38mm	1433	10	5586
	44mm	1439	10	5586
	51mm	1434	10	5586
	First Choice			
	With Microporous II Adhesive and Synthetic Skin Barrier			
	13mm-64mm starter hole	1460	10	5170
	25mm	1462	10	5170
	32mm	1468	10	5170
	38mm	1463	10	5170
	44mm	1469	10	5170
	Impression			
	With Convex wafer (transparent)			
	13mm	1480	10	5170
	16mm	1481	10	5170
	19mm	1482	10	5170
	22mm	1483	10	5170
	25mm	1484	10	5170
	29mm	1485	10	5170
	32mm	1486	10	5170
	35mm	1487	10	5170
	38mm	1488	10	5170
	44mm	1489	10	5170

STOMA APPLIANCES

UROSTOMY BAGS

Manufacturer	Appliance	Order No.	Quantity	List Price p	
Hollister Ltd	Impression "C" with convex wafer body-worn side	Transparent with beige comfort backing on			
	13mm	1450	10	4438	
	16mm	1451	10	4438	
	19mm	1452	10	4438	
	22mm	1453	10	4438	
	25mm	1454	10	4438	
	29mm	1455	10	4438	
	32mm	1456	10	4438	
	35mm	1457	10	4438	
	38mm	1458	10	4438	
	44mm	1459	10	4438	
	51mm	14510	10	4438	
		Moderma Flex			
		Beige			
		15-55mm	29100	10	4737
		20mm	29120	10	4737
		25mm	29125	10	4737
		30mm	29130	10	4737
		35mm	29135	10	4737
	40mm	29140	10	4737	
	Transparent				
	15-55mm	29500	10	4737	
	Moderma Flex with Adapt conformable convex rings				
	Urostomy pouch with flexible barrier plus Adapt conformable convex ring				
	Beige - with comfort backing on both sides				
	cut-to-fit				
	20-29mm + 20mm ring	29820	20	13667	
	30-39mm + 30mm ring	29830	20	13667	
	40-49mm + 40mm ring	29840	20	13667	
	Transparent - with comfort backing on body side only				
	cut-to-fit				
	20-29mm + 20mm ring	29920	20	13667	
	30-39mm + 30mm ring	29930	20	13667	
	40-49mm + 40mm ring	29940	20	13667	
Jade-Euro-Med Ltd	White rubber urostomy bags				
	Night bag tap outlet	KM 47	1	1968	
	Day bag tap outlet	KM 45	1	1718	
	Black Butyl bag odourless				
Day bag tap outlet	KM 39	1	3437		

IXC

STOMA APPLIANCES

UROSTOMY BAGS

Manufacturer	Appliance	Order No.	Quantity	List Price p
Marlen USA	Ultra			
	Transparent starter hole			
	Small 12mm	761312	10	4063
	Large 12mm	762312	10	4063
	Small Bag Transparent			
	Flat pre-cut			
	12mm	761412	10	4063
	16mm	761416	10	4063
	19mm	761419	10	4063
	22mm	761422	10	4063
	25mm	761425	10	4063
	29mm	761429	10	4063
	32mm	761432	10	4063
	34mm	761434	10	4063
	38mm	761438	10	4063
	41mm	761441	10	4063
	44mm	761444	10	4063
	48mm	761448	10	4063
	50mm	761450	10	4063
	54mm	761454	10	4063
	57mm	761457	10	4063
	60mm	761460	10	4063
	63mm	761463	10	4063
	67mm	761467	10	4063
	70mm	761470	10	4063
	73mm	761473	10	4063
	76mm	761476	10	4063
	Large Bag Transparent			
	Flat pre-cut			
	12mm	762412	10	4063
	16mm	762416	10	4063
	19mm	762419	10	4063
	22mm	762422	10	4063
	25mm	762425	10	4063
	29mm	762429	10	4063
	32mm	762432	10	4063
	34mm	762434	10	4063
	38mm	762438	10	4063
	41mm	762441	10	4063
	44mm	762444	10	4063
	48mm	762448	10	4063
	50mm	762450	10	4063
	54mm	762454	10	4063
	57mm	762457	10	4063
	60mm	762460	10	4063
	63mm	762463	10	4063
	67mm	762467	10	4063
	70mm	762470	10	4063
	73mm	762473	10	4063
	76mm	762476	10	4063

STOMA APPLIANCES**UROSTOMY BAGS**

Manufacturer	Appliance	Order No.	Quantity	List Price p
Marlen USA	Small Bag Transparent Shallow Convex			
	12mm	761512	10	4063
	16mm	761516	10	4063
	19mm	761519	10	4063
	22mm	761522	10	4063
	25mm	761525	10	4063
	29mm	761529	10	4063
	32mm	761532	10	4063
	34mm	761534	10	4063
	38mm	761538	10	4063
	41mm	761541	10	4063
	44mm	761544	10	4063
	48mm	761548	10	4063
	50mm	761550	10	4063
	54mm	761554	10	4063
	57mm	761557	10	4063
	60mm	761560	10	4063
	63mm	761563	10	4063
	67mm	761567	10	4063
	70mm	761570	10	4063
	73mm	761573	10	4063
	76mm	761576	10	4063
	Large Bag Transparent Shallow Convex			
	12mm	762512	10	4063
	16mm	762516	10	4063
	19mm	762519	10	4063
	22mm	762522	10	4063
	25mm	762525	10	4063
	29mm	762529	10	4063
	32mm	762532	10	4063
	34mm	762534	10	4063
	38mm	762538	10	4063
	41mm	762541	10	4063
	44mm	762544	10	4063
	48mm	762548	10	4063
	50mm	762550	10	4063
	54mm	762554	10	4063
	57mm	762557	10	4063
	60mm	762560	10	4063
	63mm	762563	10	4063
	67mm	762567	10	4063
	70mm	762570	10	4063
	73mm	762573	10	4063
	76mm	762576	10	4063

IXC

STOMA APPLIANCES

UROSTOMY BAGS

Manufacturer	Appliance	Order No.	Quantity	List Price p	
Marlen USA	Ultramax				
	Transparent				
	Flat starter hole	72400	10	4582	
	12mm	72412	10	4582	
	16mm	72416	10	4582	
	19mm	72419	10	4582	
	22mm	72422	10	4582	
	25mm	72425	10	4582	
	29mm	72429	10	4582	
	32mm	72432	10	4582	
	34mm	72434	10	4582	
	38mm	72438	10	4582	
	41mm	72441	10	4582	
	44mm	72444	10	4582	
	50mm	72450	10	4582	
	55mm	72455	10	4582	
	Convex starter hole	72500	10	4582	
	12mm	72512	10	4582	
	16mm	72516	10	4582	
	19mm	72519	10	4582	
	22mm	72522	10	4582	
	25mm	72525	10	4582	
	29mm	72529	10	4582	
	32mm	72532	10	4582	
	34mm	72534	10	4582	
	38mm	72538	10	4582	
	41mm	72541	10	4582	
	44mm	72544	10	4582	
	50mm	72550	10	4582	
	55mm	72555	10	4582	
	Mentor Medical Ltd	Carshalton			
		with acrylic adhesive			
		25mm	48-534-58	10	2194
32mm		48-534-66	10	2194	
38mm		48-534-74	10	2194	
Triangular					
25mm		48-532-37	10	2194	
32mm		48-532-45	10	2194	
38mm		48-532-53	10	2194	
Chiron					
Black Rubber Day Bag 22mm		WF205-22-T	1	3927	
Latex Rubber Day Bag 38mm		WF203-38-B	1	2721	
Latex Rubber Night Bag 38mm		WF213-38-G	1	2980	
White Rubber Day Bag 38mm		WF201-38-S	1	2721	
White Rubber Night Bag 38mm		WF211-38-X	1	3085	
White Rubber Night Bag 44mm	WF211-44-S	1	3085		
White Rubber Night Bag 51mm	WF211-51-P	1	3085		

STOMA APPLIANCES

UROSTOMY BAGS

Manufacturer	Appliance	Order No.	Quantity	List Price p
Mentor Medical Ltd	Mirage Urostomy Pouches Beige starter hole to 44mm	32-530-15	10	4225
	Mitcham			
	Maxi adhesive			
	25mm	WH119-25-G	10	4472
	32mm	WH119-32-D	10	4472
	38mm	WH119-38-R	10	4472
	non-adhesive			
	25mm	WH009-25-U	10	3651
	32mm	WH009-32-R	10	3651
	38mm	WH009-38-E	10	3651
	Mini			
	adhesive			
	19mm	WH116-19-Y	10	4472
	25mm	WH116-25-T	10	4472
	32mm	WH116-32-Q	10	4472
	non-adhesive			
	25mm	WH005-25-C	10	3651
	32mm	WH005-32-Y	10	3651
	Standard			
	adhesive			
	19mm	WH111-19-C	10	4472
	25mm	WH111-25-W	10	4472
	32mm	WH111-32-T	10	4472
	38mm	WH111-38-G	10	4472
	non-adhesive			
	19mm	WH002-19-U	10	3651
	25mm	WH002-25-P	10	3651
	32mm	WH002-32-L	10	3651
	38mm	WH002-38-Y	10	3651
	* With Foam Pads			
	*Replacement Bags for Surrey Urinal on page 204			
	non-adhesive			
	25mm	WH012-25-U	1	615
	32mm	WH012-32-R	1	615
	38mm	WH012-38-E	1	615
	Rediflow			
	adhesive			
	19mm	WG001-19-H	20	6569
	25mm	WG001-25-C	20	6569
	32mm	WG001-32-Y	20	6569
	38mm	WG001-38-M	20	6569
	44mm	WG001-44-G	20	6569
	51mm	WG001-51-D	20	6569

IXC

STOMA APPLIANCES**UROSTOMY BAGS**

Manufacturer	Appliance	Order No.	Quantity	List Price p	
Oakmed Ltd	Option Urostomy with soft covering to both sides with window				
	cut-to-fit 13-50mm	GC1300	20	8397	
	pre-cut 16mm	GC1600	20	8397	
	19mm	GC1900	20	8397	
	22mm	GC2200	20	8397	
	25mm	GC2500	20	8397	
	32mm	GC3200	20	8397	
	38mm	GC3800	20	8397	
	Option Urostomy Microskin with soft covering to both sides				
	Opaque				
	cut-to-fit 13-50mm	MJ1300	20	8410	
	pre-cut 16mm	MJ1600	20	8410	
	19mm	MJ1900	20	8410	
	22mm	MJ2200	20	8410	
	25mm	MJ2500	20	8410	
	32mm	MJ3200	20	8410	
	38mm	MJ3800	20	8410	
	Option Urostomy Mini Microskin				
	Opaque				
	cut-to-fit 13mm-40mm	TC1300	20	8410	
	Rüsch UK	Birkbeck Black Rubber			
		Day Bag			
		19mm	LM 723125	1	3329
Pink Rubber					
Day Bag					
19mm		LM 724125	1	3329	
Night Bag					
19mm		LM 724175	1	3631	
White Rubber Night Bag					
19mm		LM 883121	1	1857	
25mm		LM 883122	1	1857	
28mm		LM 883123	1	1857	
White Rubber Glasgow Bag					
Small tap		LM 884230	1	2208	
Large tap		LM 884232	1	2208	
White Rubber Transverse					
Bag Right					
Small	LM 884104	1	2208		
Medium	LM 884105	1	2208		
Large	LM 884106	1	2208		
White Rubber Transverse					
Bag Left					
Small	LM 884114	1	2208		
Medium	LM 884115	1	2208		
Large	LM 884116	1	2208		

STOMA APPLIANCES**UROSTOMY BAGS**

Manufacturer	Appliance	Order No.	Quantity	List Price	p	
Salts Healthcare	Confidence Urostomy Pouch transparent/overlap film (includes 2 drain tube connectors per pack)					
	starter hole					
	13mm	U13	10	4221	△	
	pre-cut					
	25mm	U25	10	4221	△	
	32mm	U32	10	4221	△	
	38mm	U38	10	4221	△	
	45mm	U45	10	4221	△	
	Koenig Rutzen					
	All Rubber Black with Tap outlet and N-R valve					
	Large					
	25mm	181125	1	4531	△	
	32mm	181132	1	4531	△	
	Medium					
	25mm	181325	1	4531	△	
32mm	181332	1	4531	△		
38mm	181338	1	4531	△		
with metal bridge, tap outlet and N-R valve						
Large						
38mm	185138	1	5299	△		
Medium						
32mm	185332	1	5299	△		
Confidence Gold Convex Urostomy Pouch						
1 Piece integral convexity with hypoallergenic hydrocolloid and transparent film/beige overlap comfort backing on both sides. (Includes 2 drain tube connectors per pack)						
Important: This product with Integral Convexity should only be used after prior assessment of suitability by an appropriate medical professional.						
starter hole						
13-25mm	CU1325	10	4580	△		
13-38mm	CU1338	10	4580	△		
13-52mm	CU1352	10	4580	△		
pre-cut						
21mm	CU21	10	4580	△		
25mm	CU25	10	4580	△		
28mm	CU28	10	4580	△		
32mm	CU32	10	4580	△		
35mm	CU35	10	4580	△		
38mm	CU38	10	4580	△		
All Rubber White Tap outlet						
Large						
32mm	281132	1	1876	△		
MB with Bridge, Tap outlet and N-R valve						
Large						
25mm	188125	1	6362	△		
32mm	188132	1	6362	△		
38mm	188138	1	6362	△		

IXC

STOMA APPLIANCES**UROSTOMY BAGS**

Manufacturer	Appliance	Order No.	Quantity	List Price	p
Salts Healthcare	Light White				
	Clear				
	Large				
	25mm	296125	20	9370	△
	32mm	296132	20	9370	△
	38mm	296138	20	9370	△
	Opaque				
	Large				
	25mm	294125	20	9370	△
	32mm	294132	20	9370	△
	38mm	294138	20	9370	△
	Adhesive Bag				
	Clear				
	Large				
	25mm	299125	20	9797	△
	32mm	299132	20	9797	△
	38mm	299138	20	9797	△
	Opaque				
	Large				
	25mm	298125	20	9797	△
	32mm	298132	20	9797	△
	38mm	298138	20	9797	△
	with Realistic Washer				
	Clear				
Large					
25mm	293125	20	12309	△	
32mm	293132	20	12309	△	
38mm	293138	20	12309	△	
Small					
32mm	293232	20	12309	△	
Opaque					
Large					
25mm	292125	20	12285	△	
32mm	292132	20	12285	△	
38mm	292138	20	12285	△	
Ward Surgical Appliance Co	Ureterostomy Bag				
	tap outlet, 19mm, 35mm or 54mm opening				
	Night Size	WM 47	1	2019	
	Day Size	WM 48	1	1891	

STOMA APPLIANCES**UROSTOMY BAGS**

Manufacturer	Appliance	Order No.	Quantity	List Price p	
Welland Medical Ltd	Curvex Uro				
	Urostomy pouch with flexible convex flange and soft backing				
	Clear				
		25mm plateau, cut-to-fit	CUS713	10	4646
		32mm plateau, cut-to-fit	CUM713	10	4646
		43mm plateau, cut-to-fit	CUL713	10	4646
	Beige				
		25mm plateau, cut-to-fit	CUS913	10	4646
		32mm plateau, cut-to-fit	CUM913	10	4646
		43mm plateau, cut-to-fit	CUL913	10	4646
	Silhouette URO				
	Urostomy pouch with soft backing				
	Clear				
		13mm	SUR 713	10	4350
		16mm	SUR 716	10	4350
		19mm	SUR 719	10	4350
		22mm	SUR 722	10	4350
		25mm	SUR 725	10	4350
		32mm	SUR 732	10	4350
		38mm	SUR 738	10	4350
Beige					
	13mm	SUR 913	10	4350	
	16mm	SUR 916	10	4350	
	19mm	SUR 919	10	4350	
	22mm	SUR 922	10	4350	
	25mm	SUR 925	10	4350	
	32mm	SUR 932	10	4350	
	38mm	SUR 938	10	4350	

IXC

STOMA APPLIANCES

UROSTOMY SETS

Manufacturer	Appliance	Order No.	Quantity	List Price p
Mentor Medical Ltd	Carshalton Sets			
	Oval Bag			
	25mm	48-503-19	1	7357
	32mm	48-503-27	1	7357
	38mm	48-503-35	1	7357
	Triangle Bag			
	25mm	48-503-43	1	7357
	32mm	48-503-51	1	7357
	38mm	48-505-13	1	7357

STOMA APPLIANCES**MANUFACTURERS' ADDRESSES AND TELEPHONE NUMBERS (STOMA APPLIANCES)**

3M Health Care Ltd, 3M House, Morley Street, Loughborough, Leics, LE11 1EP (01509 611611)

Adams Healthcare, Lotherton Way, Garforth, Leeds LS25 2JY (0113 2320066)

Anglo Venture 2000 Ltd, The Mill, Hatfield Health, Bishop's Stortford, Herts, CM22 7DL (01279 730733)

Astra Tech Ltd, Stroud Water Business Park, Brunel Way, Stonehouse, Gloucestershire GL10 3SW
(01453 791763)

Bard Ltd, Forest House, Brighton Road, Crawley, West Sussex, RH11 9BP (01293 527888)

B. Braun Medical, Thornccliffe Park, Sheffield, S35 2PW (0114 225 9000)

C S Bullen Ltd, 3-7 Moss Street, Liverpool, L6 1EY (0151 2076995/6/7/8)

J. Chawner Surgical Belts Ltd, Unit 1B Mayfields, Southcrest, Redditch, B98 7DU (01527 404353)

Clinimed Ltd, Cavell House, Knaves Beech Way, Loudwater, High Wycombe, Bucks, HP10 9QY
(01628 850100)

Coloplast Ltd, Peterborough Business Park, Peterborough, PE2 6FX (01733 392000)

ConvaTec Ltd, Unit 20, First Avenue, Deeside Industrial Park, Deeside, Clwyd CH5 2NU (01244 586244)

Cover Care, 5 Ancaster Gardens, Wollaton Park, Nottingham, NG8 1FR (0115 928 7883)

Cuxson Gerrard & Company Ltd, 26 Fountain Lane, Oldbury, Warley, West Midlands, B69 3BB (0121 5447117)

Dansac Ltd, Victory House, Vision Park, Histon, Cambridge CB4 4ZR (01223 235100)

DBT Medical Ltd, 14 Eagle Industrial Estate, The Crofts, Witney, OX28 4DJ (01993 773673)

Dow Corning Ltd, Kings Court, 185 Kings Road, Reading, Berkshire RG1 4EX (01734 596888)

John Drew (London) Ltd, 433 Uxbridge Road, Ealing, London, W5 3NT (0208 9920381)

Ellis, Son & Paramore Ltd, Spring Street Works, Sheffield, S3 8PD (0114 2738921/221269)

Hi-Line Ltd, Unit 28 Grange Lane Industrial Estate, Carrwood Road, Barnsley, South Yorkshire S71 5AS
(01226 242500)

Hollister Ltd, Rectory Court, 42 Broad Street, Wokingham, Berkshire, RG40 1AB (0118 989 5000)
(Retail Pharmacy Order Line 0800 521392)

Impharm Nationwide Ltd, PWS Building, Nelson Street, Bolton, BL3 2JW (01204 371155)

Jade-Euro-Med Ltd, Unit 14, East Hanningfield Industrial Estate, Old Church Road, East Hanningfield,
Chelmsford, Essex CM3 8BG (01245 400413)

Loxley Products: Unit 8, South Lincolnshire Enterprise Agency, Station Road East, Grantham, Lincolnshire,
NG31 6HX (01476 560194)

Manfred Sauer GmbH: (UK Branch), Unit 3, io Centre, Lodge Farm, Northampton NN5 7UW (0870 1904100)

Marlen USA products: distributed by Marlen Healthcare Ltd, Shell Buildings, Maltmill Lane, Blackheath,
Halesowen, West Midlands (0121 7082077)

Medicina Ltd, Unit 1 Adlington Business Village, Huyton Road, Adlington, PR7 4JH (01257 482200)

Medlogic Global Ltd, Western Wood Way, Language Science Park, Plympton, Plymouth, Devon, PL7 5BG
(01752 209955)

IXC

STOMA APPLIANCES

Mentor Medical Ltd, Building 10, Commerce Way, Lancing, West Sussex BN15 8TJ (01903 761122)

Oakmed Ltd, 54 Adams Avenue, Northampton, NN1 4LJ (01604 239250)

Omex Medical Ltd, 25, Sea Lane, East Preston, Littlehampton, West Sussex, BN16 1NH (01903 783744)

Opus Healthcare, PO Box 8204, Ardleigh, Colchester, CO7 7WH (01206 230741)

Orthotic Services Ltd, Heartlands House, 19 Cato Street, The Heartlands, Birmingham, B7 4TS (0121 3596323)

OstoMart Ltd, 2 The Carlton Business Centre, Carlton, Nottingham NG4 3AA

S G & P Payne, Percy House, Brook Street, Hyde, Cheshire, SK14 2NS (0161 3678561)

J C Peacock & Son Ltd, Friar House, Clavering Place, Newcastle upon Tyne, NE1 3NR (0191 2329917)

Pelican Healthcare Ltd, Cardiff Business Park, Cardiff, CF14 5WF (02920 747787)

Rüsch UK, Stirling Road, Cressex Business Park, High Wycombe, Bucks, HP12 3ST (01494 532761)

E Sallis Ltd, Vernon Works, Waterford Street, Old Basford, Nottingham, NG6 0DH (0115 9787841/2)

Salts Healthcare, Saltair House, Lord Street, Nechells, Birmingham, B7 4DS (0121 3595123)

SASH, Woodhouse, Woodside Road, Hockley, Essex, SS5 4RU (01702 206502)

T J Shannon Ltd, 59 Bradford Street, Bolton, BL2 1HT (01204 521789)

A H Shaw and Partners Ltd, Manor Road, Ossett, West Yorkshire, WF5 0LF (01924 273474)

UCI Healthcare Ltd, Unit 8, Southill, Cornbury Park, Charlbury, Oxon OX7 3EW (0160 8811815)

Ward Surgical Appliance Company Ltd, 57A Brightwell Avenue, Westcliffe-on-Sea, Essex SSO 9EB (01702 354064)

Welland Medical Ltd Products: distributed by Clinimed Ltd, Cavell House, Knaves Beech Way, Loudwater, High Wycombe, Bucks. HP10 9QY (01628 850100)

CHEMICAL REAGENTS

APPROVED LIST OF CHEMICAL REAGENTS

The only chemical reagents which may be supplied as part of the pharmaceutical services are those listed in Part IXR of the Tariff.

The price listed in respect of a chemical reagent specified in the following list is the basic price on which payment will be calculated pursuant to Part II, Clause 6A for the dispensing of that chemical reagent.

The Notes to Part IX shall also apply to Part IXR when 'chemical reagent(s)' shall be substituted for 'appliance(s)'.
Chemical reagents are listed in the order; detection strips (urine), and detection strips (blood).

Chemical Reagent	Quantity	Basic Price P
1. DETECTION STRIPS, URINE		
(Supplied with an instruction sheet, analysis record and colour chart)		
1.1 Detection Strips, urine for Glycosuria		
1.1.1 Clinistix	50	318
1.1.2 Diabur Test 5000	50	263
1.1.3 Diastix	50	271
1.1.4 Medi-Test Glucose	50	222
1.2 Detection Strips, urine for Ketonuria (Acetonuria)		
1.2.1 Ketostix	50	287
1.2.2 Ketur Test	50	253
1.3 Detection Strips, urine for Proteinuria		
1.3.1 Albustix	50	394
1.3.2 Medi Test Protein 2	50	310
2. DETECTION STRIPS, BLOOD FOR GLUCOSE		
(Supplied with an instruction sheet, analysis record and colour chart)		
Meters for use with Blood Glucose Testing Strips or Discs are not available on prescription		
2.1 Colorimetric Strips - visually readable		
2.1.1 Glucoflex-R	50	1423
2.1.2 Hypoguard Supreme	50	1364
2.1.3 Hypoguard Supreme Spectrum	50	1034
2.2 Biosensor Strips - to be read only with the appropriate meter		
2.2.1 Advantage II	50	1582 △
2.2.2 Ascensia Microfill	50	1555
2.2.3 GlucoMen Sensors	50	1468
2.2.4 Medisense G2	50	1465

IXR

CHEMICAL REAGENTS

Chemical Reagent	Quantity	Basic Price P
2.2.5 Medisense Optium Plus	50	1557
2.2.6 Medisense SoftSense	50	1555
2.2.7 One Touch Ultra	50	1557
2.2.8 PocketScan	50	1521
2.2.9 Therasense Freestyle	50	1567
2.2.10 TrueTrack System	50	1530
2.3 Biosensor Discs - to be read only with the appropriate meter		
2.3.1 Ascensia Autodisc test sensor discs	5 discs of 10 strips each	1567
2.3.2 Ascensia Glucodisc test sensor discs	5 discs of 10 strips each	1553
2.4 Colorimetric Strips - to be read only with the appropriate meter		
2.4.1 Active	50	1583
2.4.2 BM-Accutest	50	1534
2.4.3 Compact	3 drums of 17 strips each	1595
2.4.4 Glucotide	50	1533
2.4.5 One Touch	50	1541
2.4.6 Prestige Smart System	50	1529
3. DETECTION STRIPS, BLOOD FOR KETONES (Beta-Hydroxybuterate)		
- to be read only with the appropriate meter		
MediSense Optium β -Ketone Test Strips 98761-01	8	1478
4. DETECTION STRIPS, BLOOD FOR DETERMINATION OF INTERNATIONAL NORMALISED RATIO (INR)		
- to be read only with the appropriate meter		
CoaguChek PT (formerly CoaguChek) 1937634	12	3107
1937642	48	12147

DOMICILIARY OXYGEN THERAPY SERVICE

1. DOMICILIARY OXYGEN

- 1.1 Oxygen should be prescribed for patients in the home only after careful evaluation and never on a placebo basis. Oxygen may be supplied in cylinders or where the quantity required justifies it, from a concentrator but in general the appropriate method of supply will depend on the type of therapy, intermittent or long term, to be prescribed.

2. INTERMITTENT THERAPY

- 2.1 The majority of patients will have oxygen prescribed for intermittent use in a variety of respiratory conditions. This type of therapy is used in patients with hypoxaemia of short duration, for example, asthma, when the condition is likely to recur over months or years. It may be prescribed for patients with advanced irreversible respiratory disorders to increase mobility and capacity for exercise and ease discomfort, for example in chronic obstructive bronchitis, emphysema, widespread fibrosis and primary or thromboembolic pulmonary hypertension. Such patients will usually be supplied with oxygen in cylinders (see also paragraph 18.1).
- 2.2 **Arrangements for the prescription and supply of cylinder oxygen to those patients who require intermittent therapy are set out at paragraph 3.** GPs are asked to co-operate in an effort to make this part of the oxygen service more cost effective. If more than one or two are regularly required for a particular period, prescribing in multiples of 3 cylinders would produce savings by reducing the number of journeys. It is accepted that it will not always be possible to prescribe in this way, for example, because of the infrequency of use of oxygen or because of storage problems at the patient's home.

3. OXYGEN CYLINDER SERVICE

- 3.1 PCT for England and LHB for Wales lists of pharmacy contractors who provide domiciliary oxygen therapy services include only those pharmacy contractors who are authorised to hold a number of light-weight single unit oxygen sets (approved sets are listed in sub paragraph 6.1) and stands, and:
- 3.1.1 regularly stock oxygen equipment, as specified in the Drug Tariff, and oxygen gas on the premises;
- 3.1.2 are prepared, when it would not be reasonable to expect that the patient's representative could safely do so or when he is unable to do so, to deliver the oxygen set and cylinders to the patient's home, to collect empty cylinders when they are being replaced, and to collect the set and cylinders when informed that treatment has been discontinued; and
- 3.1.3 are prepared to erect and explain the operation of the oxygen set and cylinders at the patient's home, particularly when a patient is having oxygen therapy for the first time.
- 3.2 At any time a pharmacy contractor willing to provide this service may apply to the PCT for England and LHB for Wales for inclusion in the list.
- 3.3 A copy of the PCT for England and LHB for Wales list of oxygen contractors, with details of the services being provided, is supplied to every pharmacy contractor and doctor in the area. A copy of the list for an adjacent area will be sent on application.
- 3.4 If a prescription for an oxygen set or cylinders is presented to a pharmacy contractor whose name is not included in the list, he should provide the patient or his representative with the name, address and telephone number of at least two pharmacies (whether pharmaceutical services contractors or Local Pharmacy Scheme providers or both, as appropriate) who provide oxygen therapy services at the time the need arises, and who are nearest to the patient's home.
- 3.5 Except where, in emergency, a set has been loaned by a distant pharmacy contractor, oxygen gas shall be supplied to a patient only by the pharmacy contractor who has loaned the set. When, exceptionally, cylinder replacements are provided by a pharmacy contractor other than the one who supplied the set, he should, at the time when cylinders are supplied, satisfy himself that the patient continues to operate the equipment satisfactorily.



DOMICILIARY OXYGEN THERAPY SERVICE

- 3.6 Delivery and collection of sets and/or cylinders is to be undertaken by the patient's representative where he is willing, providing the pharmacy contractor can fully satisfy himself that the representative is able to transport a set and/or a cylinder, carry it and secure it in position in the house, and fit the mask after the instructions provided in the set have been explained to him. In other circumstances delivery, erection and collection of sets and/or cylinders and the explanation of the operation of oxygen equipment at the patient's home, particularly at the commencement of treatment, is to be undertaken by the pharmacy contractor.
- 3.7 The recovery of empty cylinders from patients, and their prompt return to the supplier for refilling, is essential if adequate supplies of oxygen for the use of patients are to be maintained.

4. OXYGEN EQUIPMENT WHICH MAY BE ORDERED

- 4.1 The sets of equipment which may be provided by the pharmacy contractor are listed in sub para 6.1 (see also Specification 01A and 01B, para 10).
- 4.2 The oxygen masks which may be ordered are listed in sub para 6.2 (See also illustrations, para 7). The type of treatment they provide is indicated in para 6.
- 4.3 One constant performance mask (either the Intersurgical 010 Mask, 28% or the Ventimask Mk IV, 28%) is supplied as part of the set, but is packaged separately on account of bulk (see list of approved masks, sub para 6.2 and figures 1 and 2 page 392). When a constant performance mask is supplied to a patient, the recommended flow rate is 2 litres per minute (the Medium setting on the control head) (see page 393, and diagrams on pages 396-399).
- 4.4 Where the prescriber considers that a mask different to that provided in the standard set is required for treatment, he must state which mask is to be supplied.
- 4.5 Every mask is supplied for the use of one patient only. All masks, therefore, are "disposable" but each is sufficiently robust to withstand usage even over a long period of treatment.
- 4.6 Oxygen should only be ordered in 1360 litre cylinders. When 3400 litre cylinders are prescribed, the pharmacy contractor will supply the gas in 1360 litre cylinders.
- 4.7 A cylinder stand may be ordered. If one is not ordered and the pharmacy contractor considers that the cylinder cannot be effectively secured to avoid the risk of accident to patient or set, a cylinder stand should be supplied on loan.

5. PROCEDURE TO BE FOLLOWED IN LOANING EQUIPMENT, CONFIRMING CONTINUED USE AND TERMINATION OF THE PCT'S FOR ENGLAND AND HA'S FOR WALES LIABILITY

- 5.1 The pharmacy contractor shall on making the loan include a note with the set saying that "This Set is the property of the Pharmacy Contractor to whom it must be returned in good condition by the patient".
- 5.2 The pharmacy contractor shall endorse the prescription form with:
- 5.2.1 Name of set supplied;
- 5.2.2 Date of commencement of loan;
- 5.2.3 Size and number of cylinders supplied. When 3400 litre cylinders are ordered the gas is to be supplied in 1360 litre cylinder

DOMICILIARY OXYGEN THERAPY SERVICE

- 5.3 The pharmacy contractor shall make a monthly return to the PCT for England and LHB for Wales showing:
- 5.3.1 Date of loan set;
- 5.3.2 Date for return of set (when applicable) or date of notice by PCT for England and LHB for Wales (see 5.4.1); or
- 5.3.3 Confirmation that the set is still on loan (when applicable).
- 5.4 Where the return shows that the set has been on loan at least three months and has not been returned to the pharmacy contractor, the PCT for England and LHB for Wales shall ascertain from the doctor whether the equipment is still required; subsequent enquiries shall be made at intervals not exceeding three months during the first year of the loan.
- 5.4.1 Where the PCT for England and LHB for Wales are satisfied, after making enquiries, that the equipment is no longer required by the patient, or where between enquiries the doctor informs the Authority to that effect, the Authority shall notify the contractor to arrange recovery.
- 5.5 Where the patient fails to return the equipment the onus of collecting it rests on the pharmacy contractor.
- Note:** different local PCT for England and LHB for Wales arrangements may apply.

6. OXYGEN EQUIPMENT WHICH THE PHARMACY CONTRACTOR MAY SUPPLY ON LOAN TO THE PATIENT

6.1 OXYGEN SETS

The following sets* (See Specification 01A and 01B, page 393 and diagrams, pages 396-399) are approved for use within the Domiciliary Oxygen Therapy Service, and any one may be loaned against an order for a set:

	Price (excluding carriage)	X
6.1.1 Specification 0.1 A		
BOC Domiflow Set (888830)	8648p	
Oxylitre Set (M 210)	7660p	
Oxylitre Set (M 410)	7660p	
Puritan Bennett Set (778435)	8000p	
Sabre Medical Oxydom Set	7990p	
Therapy Equipment Dialreg Set (5120)	6300p	
6.1.2 Specification 01B		
Air Apparatus and Valve Set (D24)	8091p	

A constant performance mask (see paragraph 6.2.1, below and figures 1 and 2, page 392) shall be supplied by the manufacturer with each set.

When supplying an oxygen set meeting Specification 01B with a constant performance mask, the pharmacy contractor should ensure that the flow selector is at the Medium setting, ie 2 litres per minute (see diagram on page 397).

On no account should pharmacy contractor attempt to modify any oxygen set to produce a higher flow rate than that for which it has been designed. To do so could create a hazardous situation for the patient.

* Spare O-rings may be supplied by the manufacturer with the set, but these should be removed by the pharmacy contractor before the set is supplied to the patient.

DOMICILIARY OXYGEN THERAPY SERVICE

6.2 OXYGEN MASKS

The following masks are approved for use within the Domiciliary Oxygen Therapy Service:

6.2.1 Constant Performance Masks

These masks provide a nearly constant concentration of 28% oxygen in air over a wide range of oxygen supply, and irrespective of breathing pattern. The most economic oxygen flow rate is 2 litres per minute (the Medium setting on the control head).

Intersurgical 010 Mask 28% (figure 1, page 392)+

The mask comprises a soft moulded plastic facepiece, an adjustable elastic headstrap and a metal nose clip to ensure a close fit across the nose. A lightweight white venturi diluter fitted to the front of the mask ensures a near constant oxygen concentration. This can be rotated to suit varying positions of the connecting tube.

Weight (less supply tube)	44 grams
Supplied by Intersurgical Ltd	

Venticaire Venturi Mask 28% (figure 4, page 392) +

The mask consists of a one piece transparent flexible moulded facepiece, with venturi barrel. It is fitted with an adjustable headstrap, and the venturi barrel can be rotated to suit convenient position of the tube.

Weight (less supply tube)	39 grams
Supplied by Flexicare Medical Ltd	

Ventimask Mk IV 28% (figure 2, page 392)+

The mask consists of a one piece transparent flexible moulded facepiece, incorporating a lightweight rigid clear plastic venturi device that ensures near constant concentration.

It is fitted with an adjustable elastic head-band, and has soft metal reinforcing strip to ensure a good fit over the bridge of the nose.

Weight (less supply tube)	66 grams
Supplied by Flexicare Medical Ltd	

6.2.2 Variable Performance Masks

A flow rate of 2 litres per minute is recommended for these masks, no claim being made for the resulting oxygen concentration. They provide a variable concentration of oxygen in air. The concentration varies with the rate of flow of oxygen supplied and the breathing pattern of the patient.

Intersurgical 005 Mask (figure 3, page 392)

This mask comprises a soft moulded plastic facepiece, adjustable elastic headstrap and a metal nose clip to ensure a close fit across the nose. A swivel connector on the front of the mask, to which the oxygen tube is connected, can be rotated to suit varying position of the connecting tube.

Weight (less supply tube)	40 grams
Supplied by Intersurgical Ltd	

+ Either of these masks may be supplied with the standard set

DOMICILIARY OXYGEN THERAPY SERVICE

Venticaire Mask (figure 4, page 392)

This mask comprises a soft moulded clear plastic facepiece, with either an adjustable elastic headstrap, or ear loops. A swivel connector is provided on the front of the mask, this rotates to suit varying positions of the oxygen supply tube (not included).

Weight	39 grams
Supplied by Flexicare Medical Ltd	



+ Either of these masks may be supplied with the standard set

DOMICILIARY OXYGEN THERAPY SERVICE

7. ILLUSTRATIONS OF APPROVED OXYGEN MASKS

(See list in sub paragraph 6.2)



Figure 1
Inter-Surgical 010 Mask



Figure 2
Ventimask Mk1V, 28%



Figure 3
Inter-Surgical 005 Mask

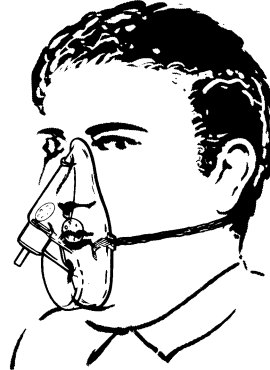


Figure 4
Venticaire Mask
Venticaire Venturi Mask 28%

DOMICILIARY OXYGEN THERAPY SERVICE

8. BASIC PRICE OF APPROVED OXYGEN EQUIPMENT

Note: Arrangements for the provision and payment of the domiciliary oxygen service are now made on a local basis.

- 8.1 Basic Price for the supply of a mask, when prescribed after the initial order on a separate prescription form (see list of approved masks, sub paragraph 6.2 and illustrations, paragraph 7).

Intersurgical 010 Mask, 28%	figure 1	97p
Ventimask Mk IV, 28%	figure 2	142p
Intersurgical 005 Mask	figure 3	78p
Venticaire Mask	figure 4	70p
Venticaire Venturi Mask 28%	figure 5	90p

- 8.2 Basic Price for;

Oxygen BP, cylinder	1360 litres	777p
Oxygen BP, composite cylinder with integral headset to specification 02 *	1360 litres	859p

* The supply of these cylinders is limited. They should only be supplied where use of them is part of the local domiciliary oxygen therapy service or where specifically indicated for an individual patient. The Department of Health is aware of the areas where supply of these cylinders is part of local arrangements.

Contractors are reminded of the importance of ensuring that as few empty cylinders as possible remain in circulation. They should be exchanged promptly and withdrawn (full or empty) together with other equipment should the service cease.

9. METHOD OF CLAIMING COMPENSATION FOR FINANCIAL LOSS IN RESPECT OF OXYGEN EQUIPMENT

Where the pharmacy contractor suffers financial loss as a result of the act or default of a person causing the loss of, or damage to, oxygen equipment loaned, the pharmacy contractor should inform the PCT for England and LHB for Wales of such financial loss.

Reimbursement of the loss will depend on local PCT for England and LHB for Wales arrangements.

Necessary out-of-pocket expenses incidentally involved in the repair of or replacement of the equipment, such as postage or carriage should also be met.

In this paragraph, the expression "person" means the person supplied, the patient concerned, members of his household, or the authorities of an institution to which the equipment is delivered, as the case may be.

10. ADDITIONAL SPECIFICATIONS

- 10.1 SPECIFICATION 01A (Lightweight (Single Unit) Oxygen Set)

The set comprises:

- 10.1.1 The Control Head, which shall include the following features:

10.1.1.1 A valve which reduces the gas cylinder pressure from 13650 kPa. to a pressure of 70 to 415 kPa.;

10.1.1.2 A miniature contents (pressure) gauge, calibrated with 1/4, 1/2 and FULL markings;

10.1.1.3 A cap, consisting of a two flow selector, which can be turned from the ratchet position marked OFF to ratchet positions marked MED and HIGH, these being designed to correspond to flow rates of 2 litres and 4 litres respectively per minute;

10.1.1.4 An outlet, being the male portion of a bayonet type connection;

DOMICILIARY OXYGEN THERAPY SERVICE

- 10.1.1.5 A standard bull-nose cylinder adaptor designed for finger tightening, and preferably incorporating an O-ring washer;
- 10.1.1.6 A safety device, such as a sintered filter, to prevent the spontaneous combustion of particulate material in the control head, or in the neck of the cylinder.
- 10.1.2 Connection Tubing: 150cm (approximately) plastic tubing, 5mm bore, 8mm externally (Ref. Portex 800/012/300) with at one end a bayonet fitting to the control head.
- 10.1.3 A Key Spanner of 100mm to 150mm length, for opening the oxygen cylinder valve.
- 10.1.4 One disposable plastic mask (figure 1 or figure 2 on page 392), in a closed plastic bag.

Note: The set parts 1 to 3 are packed in a strong box, with full operating instructions in the lid. The mask, being partly rigid, is packed separately and supplied with the boxed parts.

Note: Spare O-rings may be supplied by the manufacturer with the set, but these should be removed by the contractor before the set is supplied to the patient.

- 10.2 SPECIFICATION 01B (Lightweight (Single Unit) Oxygen Set)
The set will comply with all the requirements of Specification 01A, with the exception of clause 1c, where the following clause will apply:
- "A ratchet selection device to enable the gas flow to be set at predetermined positions to give flow rates of 2 litres and 4 litres per minute respectively. The positions will be clearly indicated and labelled 2L (MED) and 4L (HIGH); and a control knob which permits the flow of gas to be turned on and off. It will be suitably labelled to indicate the ON and OFF positions and the direction of the rotation to turn ON..."

DOMICILIARY OXYGEN THERAPY SERVICE

- 10.3 SPECIFICATION 02 (Oxygen BP, Composite Cylinder with Integral Headset)
- 10.3.1 The integral valve (pillar valve/pressure regulator/flow controller), shall comply with BS EN 738 part 3: 1997
With the following additions:
- 10.3.1.1 miniature contents (pressure) gauge with at least 1/4, 1/2 and Full markings
- 10.3.1.2 the flow control valve shall consist of either:
a flow selector, which can be turned from the ratchet position marked OFF to ratchet positions marked 2L(MED) and 4L(HIGH), these being designed to correspond to flow rates of 2 and 4 litres per minute respectively.
or
shall contain a control knob which permits the flow of gas to be turned on and off. It will be suitably labelled to indicate the ON and OFF positions and the direction of the rotation to turn ON.
A ratchet selection device to enable the gas flow to give gas flow rates of 2 and 4 litres per minute.
The positions will be clearly indicated and labelled 2L(MED) and 4L(HIGH);
- 10.3.1.3 an outlet, being the male portion of a bayonet type connection;
- 10.3.2 Both "bayonet" and "fir tree" outlets are approved for use on domiciliary oxygen regulators, including those built in to composite cylinders.
- 10.3.3 All devices should be CE marked under the European Medical Device Directive

DOMICILIARY OXYGEN THERAPY SERVICE

SPECIFICATION 01
Lightweight (Single Unit) Set 01A
NB: Actual Shape of Control Head varies with make

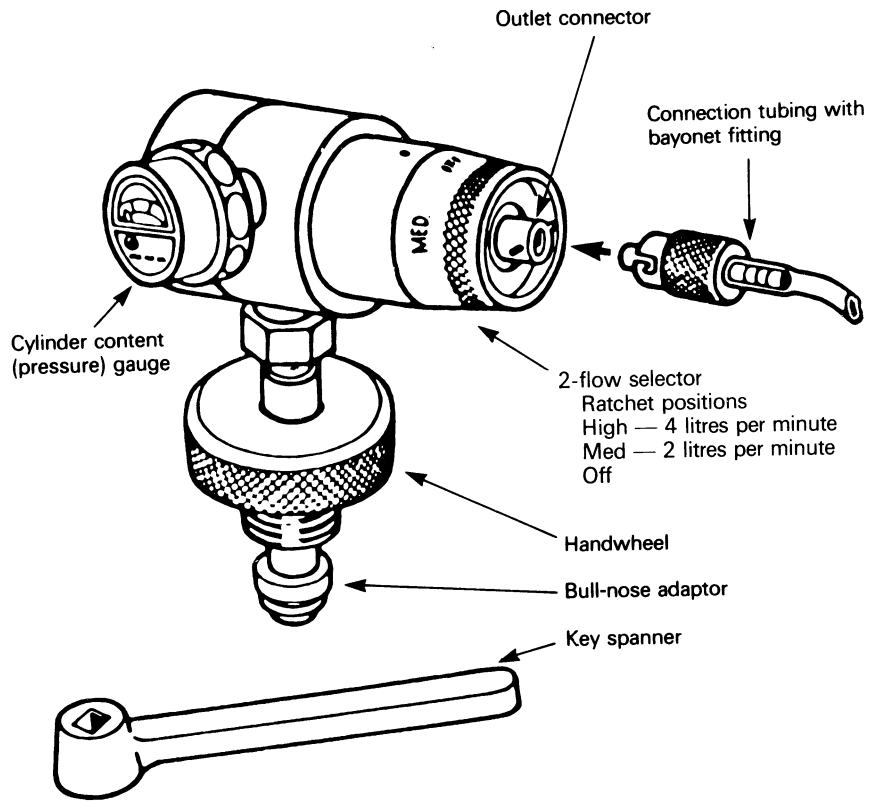


Illustration approximately 4/10 actual size

The Set is packed in a strong box

A Constant performance mask is packed separately with the boxed parts

DOMICILIARY OXYGEN THERAPY SERVICE

SPECIFICATION 01
Lightweight (Single Unit) Set 01B

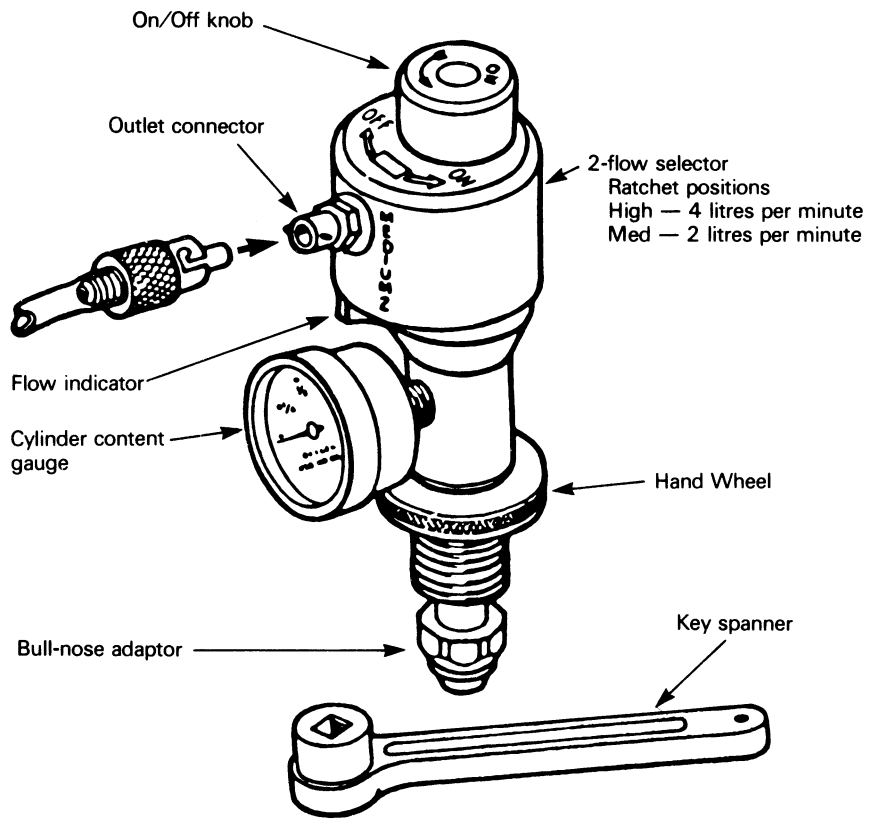


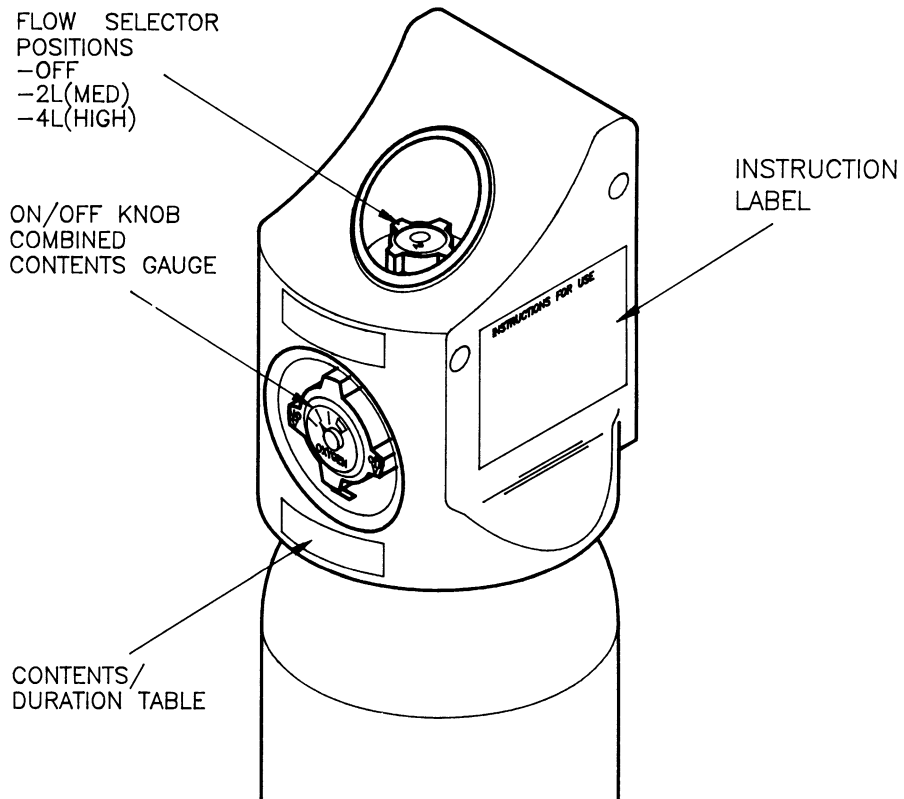
Illustration approximately 4/10 actual size

The Set is packed in a strong box

A Constant performance mask is packed separately with the boxed parts

DOMICILIARY OXYGEN THERAPY SERVICE

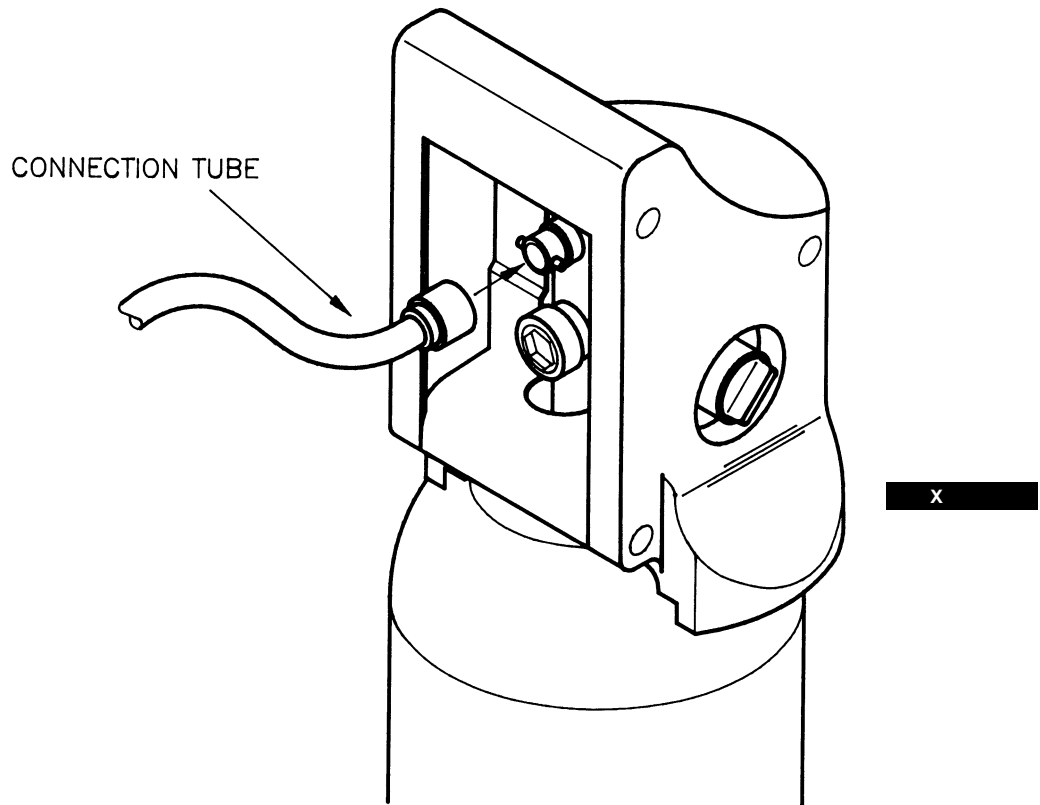
SPECIFICATION 02
Oxygen BP, Composite Cylinder with Integral Headset



VIEW FROM FRONT OF CYLINDER
APPROX. SCALE 1/3 FULL SIZE

DOMICILIARY OXYGEN THERAPY SERVICE

SPECIFICATION 02
Oxygen BP, Composite Cylinder with Integral Headset



VIEW FROM REAR OF CYLINDER
APPROX. SCALE 1/3 FULL SIZE

DOMICILIARY OXYGEN THERAPY SERVICE

11. LONG TERM OXYGEN THERAPY (LTOT)

11.1 Long term oxygen therapy is the provision of oxygen for 15 hours or more a day for a prolonged period and is of benefit to many patients with chronic hypoxaemia. For these patients oxygen should, where possible, be provided by a concentrator.

11.2 Since it is important to recognise that long term oxygen therapy is of benefit to a limited number of patients and that the needs of the majority of patients will continue to be met by intermittent therapy from cylinders, clinical guidelines for prescribing long term therapy have been drawn up for the benefit of general practitioners. These guidelines are set out in full below.

12. GUIDELINES FOR PRESCRIBING LONG TERM OXYGEN THERAPY (LTOT)

12.1 On present information, patients who are likely to benefit from long-term oxygen therapy will by definition have chronic hypoxaemia, but may for the purposes of these guidelines be divided into three groups:-

12.1.1 Those for whom there is an absolute indication, for which there is scientific evidence of the value of long-term oxygen therapy.

12.1.2 Those in whom there are good grounds for assuming the value of oxygen therapy, but for which there is no firm scientific evidence at present.

12.1.3 Patients in whom oxygen would have a useful palliative effect.

12.2 GPs who identify patients who might belong to any of these groups will wish to have consultant advice on the need for LTOT.

13. INDICATIONS FOR THE USE OF LTOT

13.1 Absolute indication. Patients for whom there is clear evidence of the value of LTOT will be those with chronic obstructive airways disease, hypoxaemia and oedema. Such patients will have ankle oedema or a history of an acute exacerbation when ankle oedema was observed. It will be necessary for such patients to be seen and assessed by a respiratory physician with access to respiratory function services. Suitable patients would have a forced expiratory volume (FEV₁) of less than 1.5L, a forced vital capacity (FVC) of less than 2L, an arterial oxygen tension less than 7.3kPa (55mm/mercury) and some elevation of arterial carbon dioxide tension (PaCO₂) greater than 6.0 kPa or 45mm/mercury. These tests are the minimum requirement and they should be made in a stable phase of the condition when all reversible factors have been adequately treated eg infection, reversible airways disease, cardiac disease etc. In order to establish stability, the spirometric measurements and the arterial blood gases should be repeated at an interval of not less than three weeks. There should be variation of no more than \pm 5mm/mercury or 0.6 kPa in the arterial oxygen tension. If such variations are exceeded then a further three week interval should elapse before the tests are repeated again.

13.2 Other patients with chronic obstructive airways disease.

The second group will include all patients with chronic obstructive airways disease having the same spirometric characteristics and the same levels of arterial oxygen tension as those described in 13.1, but in whom hypercapnia is not present and oedema has not been witnessed. Many such patients were studied in American trials of long-term domiciliary oxygen therapy and benefit was clearly shown but such patients were excluded from the British studies. However, many of these patients, including refractory asthmatics and sufferers from cystic fibrosis could be expected to benefit from long-term oxygen therapy. On present evidence long-term domiciliary oxygen therapy should not be denied but the same criteria of stability should be applied to ensure that they are established cases of chronic hypoxaemia. We hope that further studies on this group of patients can be urgently carried out.

DOMICILIARY OXYGEN THERAPY SERVICE

13.3 Palliative use of oxygen.

This group should include patients with other respiratory conditions associated with severe arterial hypoxaemia, but without hypercapnia, for which oxygen therapy may have a useful palliative effect, without necessarily affecting survival. Examples would be severe hypoxaemia associated with the terminal stages of fibrosing alveolitis, industrial lung fibrosis, terminal stages of emphysema, and lung infiltrations such as sarcoidosis, lymphangitis carcinomatosa and certain collagen disorders.

13.4 Other conditions

There are other conditions in which palliation of chronic respiratory failure might be considered, for example in severe kyphoscoliosis, gross obesity and the end stages of irreversible peripheral neuropathies and muscle disorders. However, these conditions are associated with such serious disturbances of ventilatory drive that the abolition of hypoxaemia by providing additional inspired oxygen may be dangerous. There is also preliminary evidence that long-term oxygen therapy may help some children with pulmonary hypertension. For all these patients the initial assessment would have to be even more detailed than that already described for patients with chronic obstructive airways disease.

14. POST ASSESSMENT

14.1 If LTOT is to be prescribed and used effectively, it must be remembered that the treatment involves a minimum of 15 hours oxygen per day and whenever possible this should be provided by means of a concentrator. The patient must be fully acquainted with the installation, the working of the concentrator and the need to keep to the arduous therapeutic regimen. The initial flow rate of oxygen through standard nasal prongs will be 2L/min, but may need to be modified between 1.5 and 2.5 litres per minute when the arterial blood gases have been checked with the patient breathing oxygen. The aim is to elevate PAO_2 to 60 mmHg (8kPa) or more without excessive hypercapnia.

14.2 Full co-operation by the patient is essential and expert support will be necessary to enable the 15 hours daily treatment period to be achieved. Regular monitoring in the home by appropriately trained nurses or lung function technicians and follow-up in respiratory out-patients by therapeutic physicians will be necessary to ensure that the treatment is achieving optimum results.


15. PATIENTS FOR WHOM LONG TERM OXYGEN THERAPY IS NOT USEFUL

15.1 It is important to stress the circumstances under which LTOT is not indicated. Patients with respiratory conditions that merely produce breathlessness without hypoxaemia should not be treated. Long term therapy is not intended for acute conditions such as lobar pneumonia and other chest infections. Patients with lesser degrees of chronic obstructive airways disease (ie not conforming to the criteria in 13.1) or reversible obstructive airways disease including those having acute exacerbations are not candidates for this form of oxygen delivery since their hypoxaemia is likely to be only of short duration.

16. SMOKING AND LONG TERM THERAPY

16.1 Patients who continue to smoke are unlikely to gain much benefit from LTOT and every effort must be made to persuade them to discontinue smoking. There is also the additional hazard of fire.

17. OXYGEN CONCENTRATOR SERVICE

17.1 An oxygen concentrator is an electrically powered machine which separates a high proportion of nitrogen and some other components from ambient air and thus delivers oxygen enriched gases to patients. For the purposes of the concentrator service, England and Wales have been divided into 9 regional groups of PCTs for England and LHBs for Wales and after a competitive tender exercise one supplier has been selected to provide the service in each group. The regional groups and the selected supplier for each one are set out in paragraph 25. Each PCT for England and LHB for Wales will appoint an 'Authorised Officer' to whom all queries relative to the concentrator service should be addressed.

DOMICILIARY OXYGEN THERAPY SERVICE

- 17.2 Oxygen concentrator services comprise the supply, installation with full instructions to the patient, maintenance and removal when no longer required of a concentrator and associated equipment in a patient's home on the prescription of a general practitioner. Concentrators are generally reliable and the risk of breakdown is low but in the event of a breakdown suppliers will be responsible for responding to an emergency call-out within 10 hours. However, where a doctor considers a patient to be at risk in the event of a concentrator failure, he may prescribe an emergency back-up supply of cylinder oxygen BP which the patient could use until the concentrator is repaired. Such back-up equipment should normally be prescribed along with the concentrator but the GP should review the need for back-up oxygen regularly and the supply should be withdrawn if no longer required. The emergency back-up supply will form part of the services to be provided by the concentrator supplier. The supplier will also be responsible for the payment of patients' electricity costs associated with concentrator usage.

It is anticipated that the provision of oxygen concentrators for such patients described above who have proven chronic hypoxaemia will be an additional service. It is not intended that oxygen concentrator installations will compete with intermittent oxygen therapy at present provided for patients by cylinder supplies. Patients who would benefit from LTOT from concentrators will need to be carefully selected and carefully monitored and will be relatively few in number compared with those having intermittent short burst therapy.

18. PRESCRIBING ARRANGEMENTS FOR OXYGEN CONCENTRATORS

- 18.1 Concentrators will normally be prescribed when a patient requires long term oxygen therapy (ie 15 hours or more a day over a prolonged period). However, it will still be cost effective to prescribe a concentrator for patients who require or are using the equivalent of 21 cylinders or more per month (ie 8 hours per day). When a general practitioner decides that a patient should receive long term oxygen therapy he should take the following action to obtain a concentrator for his patient.
- 18.2 Using form FP10, prescribe a concentrator and any other related equipment (eg humidifier) specifying on the form the amount of oxygen required (ie hours per day) and the flow rate. If a back-up oxygen set and cylinder are required (see paragraph 18.8 below) these should be ordered at the same time.
- 18.3 The GP should give the prescription form to the patient along with an explanation of what a concentrator is and advise the patient that the supplier will be in touch shortly to arrange installation. The patient should also be instructed to give the prescription form to the supplier when he visits the patient's home. If the patient moves residence a new prescription form should be issued in order that another installation can be arranged.
- 18.4 The GP should then advise the concentrator supplier by telephone that he has prescribed a concentrator for the patient and ask the supplier to arrange for its installation. The supplier will acknowledge receipt of the order by sending written confirmation to the GP, the patient and the PCT for England and LHB for Wales (Details of the supplier for each region, including address and telephone number are set out in paragraph 25. There is a Freephone arrangement).
- 18.5 If at any time during the patient's treatment the GP wishes to order additional equipment eg emergency back-up set and cylinder if not previously ordered, he should follow the procedure at paragraphs 18.2-18.4 above.
- 18.6 If for any reason the GP wishes to alter the regime he should inform the patient, complete the card which has been given to the patient by the concentrator supplier (entering the date, recommended flow rate, hours of use and his initials) and tell the patient to show it to the supplier when he next visits his home to service the machine.
- 18.7 It is essential that the GP notifies the PCTs for England and LHBs for Wales Authorised Officer by telephone immediately the concentrator and/or emergency supply is no longer required by a particular patient.
- 18.8 Patients who are suitable for long term oxygen therapy are generally not clinically at risk if their oxygen supply is interrupted for a few hours but for those patients considered to be at risk, GPs may wish to prescribe emergency back-up cylinder oxygen in case of such a breakdown. (See paragraph 17.2 above).

DOMICILIARY OXYGEN THERAPY SERVICE

19. UNDER-USE OF A CONCENTRATOR

- 19.1 Once a patient has had a concentrator installed in his home, it will be important to monitor the volume of oxygen consumption. If the patient's oxygen consumption falls below the level prescribed it may not be cost-effective for him to continue to have a concentrator. Under the terms of their contract, suppliers are required to submit to PCTs for England and LHBs for Wales a statement accompanying claims for reimbursement of patients' electricity costs, setting out in respect of each patient a comparison between the patient's average daily usage of the concentrator over a period of the claim and the daily usage as prescribed by the general practitioner. In those cases where it appears that there may have been a significant under-use of the concentrator the PCT for England and LHB for Wales should bring the matter to the attention of the prescriber so that he may re-consider the prescribed regime.
- 19.2 In those cases where the average daily usage has fallen below the specified level at which a concentrator should be prescribed (See para 18.1) prescribers should be asked specifically to confirm that the patient has been counselled and that usage of the concentrator will increase. Where no such confirmation is obtained the PCT for England and LHB for Wales should arrange for the concentrator to be withdrawn and for the doctor to prescribe cylinder oxygen for the patient. Similar action should be taken if, after receiving a prescriber's confirmation of a continuing need for a concentrator at the first enquiry, a further statement from the supplier indicates that usage is still below the specified level. PCTs for England and LHBs for Wales should discuss these arrangements with their Local Medical Committees in order to ensure that prescribers are absolutely clear about the interpretation

20. TRANSFER OF EXISTING PATIENTS FROM CYLINDERS TO CONCENTRATORS

- 20.1 Some patients who have had cylinder oxygen prescribed for their treatment may reach a point where their oxygen requirements are such that supply would be more economical by concentrator. The Pricing Authority will identify such patients using the specified level at paragraph 18.1 and advise the Authority. The PCT for England and LHB for Wales will then write to each patient's general practitioner to consider whether the prescription of a concentrator would be a more appropriate form of providing oxygen therapy. If so the GP should follow the procedure at paragraph 18. In such cases a close liaison between the doctor, the concentrator supplier and the patient's existing cylinder supplier will be necessary to ensure that the patient receives sufficient cylinder oxygen to meet his needs until but only until the concentrator is installed.
- 20.2 PCTs for England and LHBs for Wales should ensure the oxygen cylinder contractors are aware of concentrator installations and that they withdraw their equipment and any cylinders (empty or full) from the patient's home as soon as possible after the concentrator has been installed.

X

21. WITHDRAWAL OF A CONCENTRATOR AND/OR ASSOCIATED EQUIPMENT

- 21.1 Where a GP advises the PCT for England and LHB for Wales that a concentrator and/or emergency supply of cylinder oxygen is no longer required for a particular patient the PCT for England and LHB for Wales should immediately request the supplier to arrange for removal of the equipment from the patient's home. At the same time the PCT for England and LHB for Wales should inform the Pricing Authority of the details and date of removal notification.

22. SUPPLY OF EMERGENCY SUPPLY THROUGH OXYGEN CYLINDER CONTRACTORS

- 22.1 When emergency back-up oxygen is prescribed it will normally be supplied by the concentrator supplier. However, where exceptionally supply is made through a cylinder contractor it is important that the PCT for England and LHB for Wales identifies the patient and notifies the Pricing Authority so that the patient's records can be co-ordinated - PCTs for England and LHBs for Wales should make alternative arrangements for supply to be made through the concentrator supplier as soon as possible.

23. EQUIPMENT WHICH MAY BE PRESCRIBED

Oxygen concentrator -
 Accessories - face mask, nasal cannula, humidifier
 Emergency back-up supply (comprising regulator, tubing, administration mask and cylinder of oxygen BP).

DOMICILIARY OXYGEN THERAPY SERVICE

24. CLAIMS FOR PAYMENT

Contractors shall despatch prescription forms together with the appropriate claim forms to the Pricing Authority not later than the fifth day of the month following that in which the supply was made.

25. CONCENTRATOR SUPPLIERS

Oxygen concentrators together with face mask, nasal cannulae and humidifiers are included in the approved list of appliances and can be obtained in the area of the PCTs for England and HAs for Wales listed in column 1 in the table below from the suppliers listed in column 2 of that table opposite those Authorities.

Regional Groups of PCTs for England and HAs for Wales	Concentrator Supplier
South Western	
Avon	BOC Gases
Berkshire	
Buckinghamshire	Telephone
Cornwall & Isles of Scilly	Dial 0800 136603
Devon (S & W)	(Free of Charge)
Dorset	
Exeter & N Devon	
Gloucestershire	
Hampshire (N & Mid)	
IOW	
Oxfordshire	
Portsmouth & SE Hampshire	
Somerset	
Southampton & SW Hampshire	
Wiltshire	
West Midlands	
Birmingham	De Vilbiss Medequip Ltd
Coventry	High Street
Derbyshire (N & Southern)	Wollaston
Dudley	DY8 4PS
Herefordshire	
Leicestershire	Telephone
Northamptonshire	Dial 0800 020202
Nottinghamshire (& N Notts)	(Free of Charge)
Sandwell	
Shropshire	
Solihull	
Staffordshire (N & S)	
Walsall	
Warwickshire	
Wolverhampton	
Worcestershire	

DOMICILIARY OXYGEN THERAPY SERVICE

Regional Groups of PCTs for England and HAs for Wales**Concentrator Supplier****Central and South Wales**

Bro Taf
 Dyfed Powys
 Gwent
 Iechyd Morgannwg

Medical Group Air Products PLC
 Weston Road
 Crewe
 Cheshire
 CW1 6BT

Telephone
 Dial 0800 373580
 (Free of Charge)

North Western and North Wales

Bury & Rochdale
 Cheshire (N & S)
 Lancashire (E, NW & S)
 Liverpool (St Helens & Knowsley, Sefton & Wirral)
 Manchester
 Morecambe Bay
 North Wales
 Salford & Trafford
 Stockport
 West Pennine
 Wigan & Bolton

De Vilbiss Medequip Ltd
 High Street
 Wollaston
 DY8 4PS

Telephone
 Dial 0800 020202
 (Free of Charge)

London North

Barking, Havering
 Barnet
 Brent & Harrow
 Camden and Islington
 City and E London
 Enfield & Haringey
 Hertfordshire (E & N and W)
 Redbridge & Waltham Forest

De Vilbiss Medequip Ltd
 High Street
 Wollaston
 DY8 4PS

Telephone
 Dial 0800 020202
 (Free of Charge)

Eastern

Anglia (NW)
 Bedfordshire
 Cambridge & Huntingdon
 Essex (N & S)
 Norfolk (E)
 Suffolk

De Vilbiss Medequip Ltd
 High Street
 Wollaston
 DY8 4PS

Telephone
 Dial 0800 020202
 (Free of Charge)



DOMICILIARY OXYGEN THERAPY SERVICE

Regional Groups of PCTs for England and HAs for Wales	Concentrator Supplier
London South	
Bromley	BOC Gases
Croydon	
Ealing, Hammersmith and Hounslow	Telephone
East Sussex, Brighton & Hove	Dial 0800 136603
Greenwich & Bexley	(Free of Charge)
Hillingdon	
Kensington, Chelsea and Westminster	
Kent (E & W)	
Kingston & Richmond	
Lambeth, Southwark and Lewisham	
Merton, Sutton and Wandsworth	
Surrey (E & W)	
Sussex (W)	
Yorkshire (South & West) and Humberside	
Barnsley	Medical Group Air Products PLC
Bradford	Weston Road
Calderdale & Kirklees	Crewe
Doncaster	Cheshire
E Riding & S. Humber	CW1 6BT
Leeds	
Lincolnshire	Telephone
North Lindsey	Dial 0800 373580
Rotherham	(Free of Charge)
Sheffield	
Wakefield	
Northern	
Cumbria (N)	Medical Group Air Products PLC
Durham	Weston Road
Gateshead & S Tyneside	Crewe
Newcastle & N Tyneside	Cheshire
Northumberland	CW1 6BT
N Yorkshire	
Sunderland	Telephone
Tees	Dial 0800 373580
	(Free of Charge)

ADDITIONAL PHARMACIST ACCESS SERVICES (FORMERLY ROTA SERVICE)

The previous arrangements for out of hours services ended on 31 March 1999.

Instead, the Secretary of State for Health has issued Directions to Health Authorities authorising them from 1 April 1999 to make arrangements with pharmacy contractors to ensure access by the public to the professional services of a registered pharmacist outside normal working hours, ie

All day Sunday, Good Friday, Christmas Day, Bank Holidays and 28th December (if 26th December falls on a Saturday)

Before 09.00 or after 17.30 on any other day (after 13.00 on an early closing day).

These Directions are reproduced in Part XIVA. Similar Directions have been issued by the National Assembly for Wales.

In accordance with these Directions, PCTs will determine what Pharmacist Access Services they wish to purchase. They will also determine the terms and conditions - including the remuneration - on which arrangements for these services are to be made with pharmacy contractors.

ADDITIONAL PHARMACIST ACCESS SERVICES (FORMERLY ROTA SERVICE)

This Page is Intentionally Blank

ESSENTIAL SMALL PHARMACIES SCHEME (ESPS)

1. Interpretation

In this Part -

"Authority" means the PCT for England and LHB for Wales in whose locality the premises are located;

"Contractor" means only the pharmacy contractor whose name is included in a pharmaceutical list of the Authority;

"pharmacy" means a pharmacy at premises from which the contractor supplies pharmaceutical services;

"premises" means the premises from which the contractor provides pharmaceutical services;

"year" means the period from 1 April in any one year to 31 March of the following year.

2. Entitlement

2.1 Where, in any year -

2.1.1 the pharmacy dispenses fewer than 26,100 prescriptions; and

2.1.2 that pharmacy is more than 1 kilometre by the nearest practicable route available to the public on foot from the next nearest pharmacy or is less than 1 kilometre but previously qualified as a special consideration case and the circumstances of the pharmacy remain unchanged; and

2.1.3 in the case of pharmacy which has, in the year immediately preceding that year, dispensed fewer than 6,000 prescriptions, the authority certifies in writing at the beginning of that year that the pharmacy is essential to the proper provision of pharmaceutical services, the contractor shall, subject to the following sub-paragraphs, be entitled to ESPS payments calculated in accordance with paragraph 3 below.

(Note. No new special consideration cases will be entertained).

2.2 To qualify for payment, contractors must also have produced a practice leaflet and display up to a maximum of 8 health promotion leaflets.

2.3 A contractor shall be entitled to claim ESP payments in any one year if, on or before 31 January in the year immediately preceding, he estimates, on the basis of the number of prescriptions dispensed in the preceding twelve months or having regard to any special circumstances, that the number of items to be dispensed in the next year will be less than 26,100

XII

2.4 The contractor shall apply to the Authority for ESPS payments, in the form specified (Form ESPS1 for contractors on the list not less than 10 months at 31 January and Form ESPS2 for those on list less than 10 months) on or before 31 January in the year immediately preceding the year to which the claim relates.

2.5 On 1 April of the year to which the claim relates, or as soon as practicable thereafter, but before any payment is made, the contractor shall declare to the Authority his estimate of the number of prescriptions dispensed by the pharmacy in the year just ended, if the Authority is satisfied that -

2.5.1 that number is less than 26,100

2.5.2 that the number of prescriptions to be dispensed in the year to which the claim relates is unlikely to exceed 26,100 and

2.5.3 the conditions set out in sub-paragraph 2.1.2 and 2.1.3 above are met,

payments shall be made by the Authority in accordance with paragraph 3, subject to the conditions in sub-paragraphs 2.5 and 2.6.

2.6 The Authority, will as soon in the current financial year as they have available the Prescription Pricing Authority figure of prescriptions dispensed by the contractor during the preceding

ESSENTIAL SMALL PHARMACIES SCHEME (ESPS)

financial year compare this with the contractor's declared estimated figure (sub-paragraph 2.4 above) and if the PPA figure of prescriptions dispensed in the previous financial year is 26,100 or more, the ESPS payments made so far in the current financial year shall be recovered from the contractor in the 3 months following that in which the last ESPS payment was made.

2.7 Where, at any time in any year during which ESPS payments are made to the contractor in respect of a pharmacy.

2.7.1 the number of prescriptions dispensed by that pharmacy exceeds 26,100 the contractor shall be deemed not to have been entitled to ESPS payments for that year in respect of that pharmacy, and any such payment made to him in that year shall be recovered from the remuneration due to him in the 3 months immediately following the month in which the number of prescriptions dispensed reached 26,100.

2.7.2 a second contractor begins to provide pharmaceutical services from a pharmacy at premises which are less than 1 kilometre by the nearest practicable route available to the public on foot from the premises of the first contractor, payment to the first contractor shall continue at the full rate during the current year and during the following year at half of the full rate but will then cease.

2.7.3 in a case to which sub-paragraph 2.1.3 applies, the Authority decides that the pharmacy is no longer essential, it shall notify the contractor and after the date of that notification no further ESPS payments shall be paid in that year in respect of that pharmacy.

2.8 Where the provision by the contractor of pharmaceutical services from any premises has just begun, the preceding sub-paragraphs shall be modified as follows:-

2.8.1 the contractor may apply to the Authority for ESPS payments, in the form specified (Form ESPS2) at any time during the year;

2.8.2 he shall be entitled to ESPS payments if -

2.8.2.1 in the case of a contractor who is providing services from premises from which, immediately before the day on which he began to provide those services, those services were provided by another contractor, the number of prescriptions dispensed in the twelve months immediately preceding that day was less than 26,100;

2.8.2.2 in any other case, he estimates, and the Authority is satisfied that, less than 26,100 prescriptions will be dispensed in the first twelve months of the provision of pharmaceutical services, and

2.8.2.3 in any case the condition in sub-paragraph 2.1.2 is satisfied;

2.8.3 any entitlement shall begin -

2.8.3.1 if the claim is made within 3 months of the entry on the list in question, from the date of entry;

2.8.3.2 in any case, from the date on which the application is made.

3. **Payments**

3.1 From 1 March 2004, ESPS payments shall be the difference between one-twelfth of the target payment (£43,150) and the remuneration due (i.e. professional fees as in Part IIIA and any payments made under Part VIA but excluding payments made under Part IIIA 2.H), subject to para 3.3 below. See worked example.

3.2 Payments shall be made in arrears.

3.3 From 1 March 2004, the maximum monthly payment shall be £3,110, except that in respect of March 2004 only it shall be £4,400. If in any month the contractor is entitled to more than the maximum payment, the amount due shall be carried forward and paid in the following month, again subject to the maximum monthly payment applicable to that second month.

3.4 Any over, or any under, ESPS payment shall be if necessary, corrected in the remuneration paid in the first month of the following year.

ESSENTIAL SMALL PHARMACIES SCHEME (ESPS)

3.5 Where a contractor normally provides pharmaceutical services at a pharmacy for less than 30 hours a week, any ESPS payment shall be calculated by reference to the following formula:-

Average hours/30 x payments appropriate to a full-time pharmacy with the same prescription volume, as determined by the Secretary of State for Health as respects England and the National Assembly for Wales as respects Wales.

4. Worked Example

4.1 Month 1.

April calculate 1/12 of target payment £43,150

make ESPS payment of the difference between calculated amount and remuneration due.

4.2 Month 2

May calculate 2/12 of target payment £43,150

make ESPS payment of the difference between calculated amount and sum of total payment of remuneration due plus ESPS made in month 1 and remuneration due in month 2.

4.3 Month 3.

June calculate 3/12 of target payment £43,150

make ESPS payment of difference between calculated amount and sum of total payments made in months 1 and 2 and remuneration due in month 3.

ESSENTIAL SMALL PHARMACIES SCHEME (ESPS)

This Page is Intentionally Blank

PAYMENTS IN RESPECT OF PRE-REGISTRATION TRAINEES

1. From 1 April 2003 a grant of £4,910 is payable to pharmacy contractors who provide the pre-registration training experience needed by pharmacy graduates and certain undergraduates for admission to the Royal Pharmaceutical Society of Great Britain's Register of Pharmaceutical Chemists. The grants are payable at annual rates, determined annually in respect of each pre-registration training place filled by a pharmacy graduate or an undergraduate on a sandwich course recognised by the Royal Pharmaceutical Society of Great Britain as pre-registration training.
2. Pharmacy contractors who have undertaken to provide pre-registration training should submit a claim to the PCT for England and LHB for Wales at the start of the training period. PCTs for England and LHBs for Wales will arrange for the payment to be made monthly in arrears. Contractors MUST notify the PCT for England and LHB for Wales immediately in writing if the arrangement to provide pre-registration training ceases.

PAYMENTS IN RESPECT OF PRE-REGISTRATION TRAINEES

This Page is Intentionally Blank

ADVICE TO CARE HOMES

The previous arrangements for advice to residential and nursing homes services ended on 31 March 1999.

Instead, the Secretary of State for Health has issued Directions to Health Authorities authorising them from 1 April 1999 to make new arrangements for pharmaceutical advice to care homes under the Directions.

These Directions are below. Similar Directions have been issued by the National Assembly for Wales.

In accordance with these Directions, Health Authorities will determine what arrangements to make for pharmaceutical advice to residential and nursing homes. They will also determine the terms and conditions - including the remuneration - on which arrangements for these services are to be made with pharmacy contractors.

Details of local arrangements including any training requirements will be obtainable from Health Authorities.

With effect from 1 October 2002 the term 'Health Authority' in the Directions below means, as the case may require, the Primary Care Trust for England and Health Authority for Wales.

NATIONAL HEALTH SERVICE ACT 1977

Directions to Health Authorities concerning arrangements for providing additional pharmaceutical services

The Secretary of State in exercise of powers conferred on him by sections 17, 41A and 41B of the National Health Service Act 1977^a hereby gives the following Directions:-

Application, commencement and interpretation

1. (1) These Directions are given to Health Authorities in England and shall come into force on 1st April 1999.
- (2) Words and phrases used in these Directions which appear in the National Health Service (Pharmaceutical Services) Regulations 1992^b have the meaning they bear in those Regulations.
- (3) In these Directions, unless the context otherwise requires -

"care home" means any residential care home or nursing home registered under the Registered Homes Act 1984^c and any residential care home that by virtue of section 1(5)(j) of that Act is not required to be registered;

"neighbouring Health Authority" means another Health Authority, which may be either in England or in Wales, with which a Health Authority in England has a common boundary;

"the PhS Regulations" means the National Health Service (Pharmaceutical Services) Regulations 1992.

XIVA

Provision of a pharmaceutical advisory service to care homes

2. (1) Subject to sub-paragraph (4) and paragraph 3, a Health Authority may make arrangements with any chemist, other than a supplier of appliances only, whose name is included in its pharmaceutical list or in the pharmaceutical list of a neighbouring Health Authority for the provision of such advice as is specified in the arrangements to any person other than the Health Authority in connection with any specified care home in its area.
- (2) For the purpose of this paragraph "advice" means advice given by a pharmacist approved for this purpose by the Health Authority, being advice falling within any of the following -
 - (a) the proper and effective ordering of drugs and appliances for the benefit of residents in the home;
 - (b) the proper and effective administration and use of drugs and appliances in the home;
 - (c) the safe and appropriate storage of drugs and appliances;

^a 1977 c.49. Section 17 was substituted by the Health Authorities Act 1995 (c.17), paragraph 8 of Schedule 1.

^b S.I. 1992/662; amended by S.I. 1993/2451, 1994/2402, 1995/644, 1996/698, 1998/681, and 1998/2224.

^c 1984 c.23.

ADVICE TO CARE HOMES

- (3) A pharmacist may be approved by the Health Authority for the purposes of this paragraph if he-
 - (a) is either the chemist with whom the Health Authority has made an arrangement under this paragraph or an employee of that chemist, and
 - (b) has, in the opinion of the Health Authority, the appropriate training to provide advice.
- (4) Any arrangement made by a Health Authority under this paragraph must include a term that the chemist with whom the arrangement is made either
 - (a) keeps a record of the services provided in such manner as may be specified by the Health Authority and makes such record available to the Health Authority on request or
 - (b) imposes such a condition on any employee who is approved by the Health Authority for the purpose of giving advice as mentioned in sub-paragraph (2) and assumes responsibility for securing compliance with that condition.
3. (1) A Health Authority must determine whether there is a need in its area for the provision of the advice referred to in paragraph 2(1) and keep that determination under review.
 - (2) Before making any arrangement under paragraph 2(1) a Health Authority must take into account its findings under sub-paragraph (1).
4. Where the Health Authority makes any arrangements under paragraph 2(1), it must publish -
 - (a) the names of the chemists with whom arrangements have been made and the address of the premises in the Health Authority's area from which they are providing pharmaceutical services; and
 - (b) the number of care homes receiving advice under the arrangements
(whether or not it also publishes any other details).

Provision of additional pharmacist access services

5. Subject to paragraph 6 a Health Authority may make arrangements with any chemist, other than a supplier of appliances only, whose name is included in their pharmaceutical list or in the pharmaceutical list of a neighbouring Health Authority to ensure that a pharmacist is available to any person in its area for such consultation as the Health Authority may specify at such times, outside the times of normal availability required by paragraph 4(2) of Schedule 2 to the PhS Regulations, as the Health Authority may specify.
6. (1) A Health Authority must determine whether there is a need in its area for the availability of pharmacists outside the hours of normal availability referred to in paragraph 5 and keep that determination under review.
 - (2) Before making any arrangement under paragraph 5 a Health Authority must take into account its findings under sub-paragraph (1).
7. Where the Health Authority makes any arrangement under paragraph 5 it must publish -
 - (a) the names of the chemists with whom such arrangements have been made and the address of the premises in the Health Authority's area from which they provide pharmaceutical services;
 - (b) the details of the consultation specified under paragraph 5, and
 - (c) the times at which a registered pharmacist is to be available for consultation;
(whether or not it also publishes any other details).

Signed on behalf of the Secretary of State for Health

K J Guinness

Dated 9th March 1999

PATIENT MEDICATION RECORDS

1. These arrangements cover the keeping of records of medicines supplied to patients who are on long term medication, if they are in one of two groups:-
 - 1.1 those who are exempt from prescription charges: men and women aged 60 and over;
 - 1.2 others whom the pharmacist considers may have difficulty in understanding the nature and dosage of the drug supplied and the times at which it is to be taken.
2. Each record should cover all the drugs supplied to one patient. It will be eligible for inclusion in these arrangements only if the circumstances and nature of one or more of the drugs which are being or have been supplied by the pharmacist to the patient are such that in the opinion of the pharmacist supplying them, the same or a similar drug is likely to be prescribed for that person regularly on future occasions.
3. The record keeping system should be suitable for the purpose of the arrangements and provide appropriate levels of confidentiality. It may be computer based or use a manual recording system. It must provide as a minimum a record of the name and address of the person to whom the drug is supplied, the name, quantity and dosage of the drug supplied and the date on which it is supplied. Pharmacy contractors will be responsible for any necessary registration under the Data Protection Act 1984.
4. Pharmacists should have obtained a valid certificate as proof of undertaking one of the following medication records training courses; the original course developed by the Royal Pharmaceutical Society of Great Britain, with the support of the Pharmaceutical Services Negotiation Committee and the National Pharmaceutical Association, or successful completion of either the revised training course, introduced on 1 June 1994, or the second edition of the revised course introduced on 1 June 2000, (which is available for pharmacists in England from The Centre for Pharmacy Postgraduate Education, Manchester tel 0161-778-4040; and for pharmacists in Wales from Dr D.J. Temple, the Welsh Centre for Postgraduate Pharmaceutical Education, Cardiff, tel: 02920-874784).
5. Pharmacy contractors who wish to take part in the scheme should apply to the PCT for England and LHB for Wales confirming that the minimum number of medication records has been reached. Application forms are available from the PCT for England and LHB for Wales. The completed application form should be returned to the PCT for England and LHB for Wales with a copy of the course completion certificate.
6. Pharmacists will be required to make all records kept as part of these arrangements available to the PCT for England and LHB for Wales for inspection on request.
7. The record keeping system shall contain records for a minimum of 100 patients. In the case of a pharmacy which qualifies for support under the Essential Small Pharmacy Scheme the minimum number of records shall be for 50 patients.
8. From 1 August 1996 pharmacy contractors who have passed for pricing 1100 prescriptions a month or less, and who do not qualify for payment under the essential small pharmacy scheme can apply for a £300 fee for setting up a new patient medication record system.

XIVB

PATIENT MEDICATION RECORDS

This Page is Intentionally Blank

REWARD SCHEME - FRAUDULENT PRESCRIPTION FORMS

Payments to chemists who claim a payment under Regulation 18B(1) of the National Health Service (Pharmaceutical Services) Regulations 1992 (S.I. 1992/662), as amended by S.I. 1999/696 and S.I. 2003/1084.

The Scheme allows chemists to claim a financial reward where they have identified a fraudulent prescription form and thereby either prevented fraud or contributed with valuable information to the investigation of fraud. A reward is payable where:

- fraudulent activity can be proven
- the conditions for the scheme are met as set out below.

Slightly different versions of the Scheme apply in England and Wales.

PART I: ENGLAND

The NHS Counter Fraud and Security Management Service (Referred to below as the Authority) is responsible for receiving and considering claims for reward payments in England.

The Scheme applies to all claims which are received by the Authority on or after 7 May 2003.

Retention and Reporting Reward: claims where a chemist -

- (a) has not provided the drugs, medicines or listed appliances ordered on the fraudulent prescription form, or
- (b) has provided the drugs, medicines or listed appliances ordered on the fraudulent prescription form, but had reason to believe at the time or subsequently came to have reason to believe that the form is fraudulent,

and reports this to the relevant authorities as laid out below.

The chemist will be eligible for a payment of £70, where all the conditions for *either* the retention element of the reward or the reporting element of the reward are met. Only one reward will be payable for each dispensing occasion.

The conditions for the *retention* element of the reward are:

- i the drugs, medicines or listed appliances specified on the fraudulent prescription form have not been provided, the prescription form has been retained by the chemist, and the Primary Care Trust has been informed as soon as practicable, in accordance with Regulation 18B(1)(i);
- ii a claim is made by contacting the Authority as soon as practicable, normally within 7 days of the form having been presented. A claim form provided by the Authority must be completed and returned to the Authority, along with the original prescription form, normally within 28 days of the form having been presented; and
- iii the form presented as a prescription form was not a genuine order for the person named on the form. An order would not be a genuine order if, for example, it had been stolen or counterfeited and not signed by an authorised prescriber; or had been altered otherwise than by the authorised prescriber by whom it was issued.



The conditions for the *reporting* element of the reward are:

- i the drugs, medicines or listed appliances specified on the fraudulent prescription form have been dispensed, but the chemist has reason to believe at the time or subsequently comes to have reason that the order is not genuine;
- ii the chemist has notified the Primary Care Trust as soon as practicable, in accordance with Regulation 18B(1)(ii);
- iii a claim is made by contacting the Authority as soon as practicable, normally within 7 days of the form having been presented. A claim form provided by the Authority must be completed and returned to the Authority along with the original prescription form, normally within 28 days of the form having been presented;

REWARD SCHEME - FRAUDULENT PRESCRIPTION FORMS

-
- iv a detailed explanation of why the chemist felt it necessary to dispense must be included on the claim form. A reward will only be payable where the Authority is satisfied that the chemist had good and sufficient reasons to dispense; and
 - v the form presented as a prescription form was not a genuine order for the person named on the form. An order would not be a genuine order if, for example, it had been stolen or counterfeited and not signed by an authorised prescriber; or had been altered otherwise than by the authorised prescriber by whom it was issued.

Where the time-limits for either contacting the Authority and the Primary Care Trust or for returning a claim form to the Authority, as specified above, are exceeded, the Authority will nevertheless consider a claim if there are exceptional circumstances justifying the delay.

Pharmacists who are eligible to claim a reward under the scheme should contact:**England**

Alan Harrison
 NHS Counter Fraud and Security Management Service
 PO Box 331
 Newcastle-upon-Tyne
 NE99 1GU

Freephone: 0800-068-6161

Fax: 0191-203-5730

PART II: WALES

Health Solutions Wales (Velindre NHS Trust) (referred to below as HSW) is responsible for receiving and considering claims for reward payments in Wales.

The Scheme applies to all claims which are received by HSW on or after 1 February 2003.

Retention and Reporting Reward: claims where a chemist -

- (a) has not provided the drugs, medicines or listed appliances ordered on the fraudulent prescription form,
or
- (b) has provided the drugs, medicines or listed appliances ordered on the fraudulent prescription form, but had reason to believe at the time or subsequently came to have reason to believe that the form is fraudulent,

and reports this to the relevant authorities as laid out below.

The chemist will be eligible for a payment of £70, where all the conditions for *either* the retention element of the reward *or* the reporting element of the reward are met. Only one reward will be payable for each dispensing occasion.

The conditions for the retention element of the reward are:

- i the drugs, medicines or listed appliances specified on the fraudulent prescription form have not been provided, the prescription form has been retained by the chemist, and the Local Health Board has been informed immediately, in accordance with regulation 18B(1)(i);
 - ii a claim is made by contacting the Local Health Board as soon as practicable, normally within 7 days of the form having been presented. A claim form provided by the Local Health Board must be completed and returned to HSW, along with the original prescription form, normally within 28 days of the form having been presented; and
 - iii the form presented as a prescription form was not a genuine order for the person named on the form. An order would not be a genuine order if, for example, it had been stolen or counterfeited and not signed by an authorised prescriber; or had been altered otherwise than by the authorised prescriber by whom it was issued.
-

REWARD SCHEME - FRAUDULENT PRESCRIPTION FORMS

The conditions for the reporting element of the reward are:

- i the drugs, medicines or listed appliances specified on the fraudulent prescription form have been dispensed, but the chemist believes at the time or subsequently comes to believe that the order is not genuine;
- ii the chemist has notified the Local Health Board as soon as practicable, and in any case within 14 days of the order being presented to the chemist, in accordance with regulation 18B(1)(ii);
- iii a claim is made by contacting the Local Health Board as soon as practicable. A claim form provided by the Local Health Board must be completed and returned to HSW along with the original prescription form, normally within 28 days of the form having been presented;
- iv a detailed explanation of why the chemist felt it necessary to dispense must be included on the claim form. A reward will only be payable where HSW is satisfied that the chemist had good and sufficient reasons to dispense; and
- v the form presented as a prescription form was not a genuine order for the person named on the form. An order would not be a genuine order if, for example, it had been stolen or counterfeited and not signed by an authorised prescriber; or had been altered otherwise than by the authorised prescriber by whom it was issued.

Where the time-limits for either contacting HSW and the Local Health Board or for returning a claim form to HSW, as specified above, are exceeded, HSW will nevertheless consider a claim if there are exceptional circumstances justifying the delay.

Pharmacists who are eligible to claim a reward under the scheme should contact:

Wales
Margaret Willis
Health Solutions Wales
Brunel House
Fitzalan Road
Cardiff
CF24 0HA
Tel: 029 2050 0500

REWARD SCHEME - FRAUDULENT PRESCRIPTION FORMS

This Page is Intentionally Blank

BORDERLINE SUBSTANCES

Borderline Substances

In certain conditions some foods and toilet preparations have characteristics of drugs and the Advisory Committee on Borderline Substances advises as to the circumstances in which such substances may be regarded as drugs. The Advisory Committee's recommendations are listed below. Prescriptions issued in accordance with the Committee's advice and endorsed "ACBS" will normally not be investigated.

LIST A

This is an alphabetical index of products which the ACBS has recommended for the management of the conditions shown under each product.

General Practitioners are reminded that the Advisory Committee on Borderline Substances recommends products on the basis that they may be regarded as drugs for the treatment of specified conditions. Doctors should satisfy themselves that the products can be safely prescribed, that patients are adequately monitored and that, where necessary, expert hospital supervision is available. Prescriptions for products recommended by the Committee should be endorsed "ACBS".

Note: The Committee has recommended a number of products as complete feeds for certain conditions. They may be prescribed both as sole sources of nutrition and as necessary nutritional supplements prescribable on medical grounds.

Definitions

1. The Committee has defined proven lactose or sucrose intolerance as "A condition of intolerance to an intake of the relevant disaccharide confirmed by:

- (i) demonstrated clinical benefit of the effectiveness of the disaccharide free diet; and
- (ii) the presence of reducing substances and/or excessive acid (1.00pH) in the stools, a low concentration of the correspondent disaccharidase enzyme on intestinal biopsy, or by breath tests or lactose tolerance tests."

2. The Committee has defined proven whole protein sensitivity as "Intolerance to whole protein, proven by at least two withdrawal and challenge tests, as suggested by an accurate dietary history."

3. The Committee has defined dysphagia as that associated with "Intrinsic disease of the oesophagus, eg. oesophagitis; neuromuscular disorders, eg. multiple sclerosis and motor neurone disease; major surgery and/or radiotherapy for cancer of the upper digestive tract; protracted severe inflammatory disease of the upper digestive tract, eg. Stevens-Johnson Syndrome and epidermolysis bullosa."

BORDERLINE SUBSTANCES

LIST A

AGLUTELLA LOW-PROTEIN PRODUCTS

See: Low-Protein Products

ALCOHOLIC BEVERAGES

See: Rectified Spirit

ALEMBICOL-D (MCT OIL)

Steatorrhoea associated with cystic fibrosis of the pancreas, intestinal lymphangiectasia, surgery of the intestine, chronic liver disease, liver cirrhosis, other proven malabsorption syndromes, a ketogenic diet in the management of epilepsy and in type 1 hyperlipoproteinaemia.

AMBRE SOLAIRE TOTAL SCREEN FOR SUN INTOLERANT SKIN SPF 60

Protection from UV radiation in abnormal cutaneous photosensitivity resulting from genetic disorders or photodermatoses, including vitiligo and those resulting from radiotherapy; chronic or recurrent herpes simplex labialis.

AMINOGRAN FOOD SUPPLEMENT

Phenylketonuria

AMINOGRAN FOOD SUPPLEMENT TABLETS

See: Aminogran PKU Tablets

AMINOGRAN MINERAL MIXTURE

Phenylketonuria and as a mineral supplement in synthetic diets.

AMINOGRAN PKU TABLETS (formerly AMINOGRAN FOOD SUPPLEMENT TABLETS)

For use in the dietary management of phenylketonuria. Not to be prescribed for any child under 8 years of age.

ANALOG LCP

See: Analog XP LPC

ANALOG MSUD

Maple Syrup Urine Disease

ANALOG RVHB

Hypermethioninaemia, homocystinuria

ANALOG XLYS

Hyperlysinaemia

ANALOG XMET, THRE, VAL, ISOLEU

Methylmalonic acidaemia, propionic acidaemia

ANALOG XP

Phenylketonuria

ANALOG XP LPC (formerly ANALOG LCP)

Phenylketonuria in infants and children under two years of age.

ANALOG XPHEN, TYR**ANALOG XPHEN, TYR, MET**

Tyrosinaemia

APROTEIN GLUTEN-FREE AND LOW-PROTEIN PRODUCTS

See: Gluten-Free and Low-Protein Products.

ARNOTT'S GLUTEN-FREE PRODUCTS

See: Gluten-Free Products.

A.S. SALIVA ORTHANA (formerly SALIVA ORTHANA)

Patients suffering from a dry mouth as a result of having or having undergone radiotherapy or sicca syndrome.

BORDERLINE SUBSTANCES**LIST A**

AVEENO BABY COLLOIDAL

AVEENO BATH OIL

AVEENO COLLOIDAL

AVEENO CREAM

AVEENO LOTION

Endogenous and exogenous eczema, xeroderma, ichthyosis and senile pruritus associated with dry skin.

BARKAT GLUTEN-FREE PRODUCTS

See: Gluten-Free Products.

BERCOELI PRODUCTS

See: Proceli Products.

BI-AGLUT GLUTEN-FREE PRODUCTS

See: Gluten-Free Products.

BIOTENE ORALBALANCE DRY MOUTH SALIVA REPLACEMENT GEL

Patients suffering from a dry mouth as a result of having or having undergone radiotherapy or sicca syndrome.

BIOXTRA MOISTURING GEL

Patients suffering from a dry mouth as a result of having or having undergone radiotherapy or sicca syndrome.

CALOGEN

Disease related malnutrition, malabsorption states or other conditions requiring fortification with a high fat supplement.

CALOGEN BANANA

CALOGEN BUTTERSCOTCH

CALOGEN STRAWBERRY

For use in the dietary management of disease-related malnutrition, malabsorption states, or other conditions requiring fortification with a high fat supplement, with or without fluid and electrolyte restrictions.

CALOREEN

Disease related malnutrition, malabsorption states or other conditions requiring fortification with a high or readily available carbohydrate supplement.

CALSHAKE

Disease related malnutrition, malabsorption states or other conditions requiring fortification with a fat/carbohydrate supplement.

CALSIP

Disease related malnutrition, malabsorption states or other conditions requiring fortification with a high or readily available carbohydrate supplement.

XV

CAPRILON

Disorders in which a high intake of MCT is beneficial

CASILAN 90

Biochemically proven hypoproteinaemia.

CLINUTREN DESSERT

As a necessary nutritional supplement prescribed on medical grounds for:

Short bowel syndrome, intractable malabsorption, pre-operative preparation of patients who are undernourished, patients with proven inflammatory bowel disease, following total gastrectomy, dysphagia, bowel fistulae, disease-related malnutrition, continuous ambulatory peritoneal dialysis (CAPD) and haemodialysis. Not suitable for any child under 3 years; maximum recommended amount of 3 units for 3+ to 6 years.

BORDERLINE SUBSTANCES**LIST A****CLINUTREN FRUIT**

As a necessary nutritional supplement prescribed on medical grounds for:

Short bowel syndrome, intractable malabsorption, pre-operative preparation of patients who are undernourished, patients with proven inflammatory bowel disease, following total gastrectomy, dysphagia, bowel fistulae, disease-related malnutrition. Not suitable for any child under 3 years; maximum recommended amount of 3 units for 3+ to 6 years.

CLINUTREN 1.5**CLINUTREN ISO**

For use as the sole source of nutrition or as a necessary nutritional supplement prescribed on medical grounds for:

Short bowel syndrome, intractable malabsorption, pre-operative preparation of patients who are undernourished, patients with proven inflammatory bowel disease, following total gastrectomy, dysphagia, bowel fistulae, disease-related malnutrition. Not suitable for any child under 3 years; not suitable as a sole source of nutrition for patients under 6 years; maximum recommended amount of 3 units for 3+ to 6 years.

CLINUTREN THICKENER**CLINUTREN THICKENED DRINKS**

Thickening of foods and fluids in dysphagia. Not to be used for children under three years of age.

COLIEF

Is indicated for: the relief of symptoms associated with lactose intolerance, provided that lactose intolerance is confirmed by the presence of reducing substances and/or excessive acid in stools, a low concentration of the corresponding disaccharide enzyme on intestinal biopsy or by breath hydrogen test or lactose intolerance test.

COMMINUTED CHICKEN MEAT (SHS)

Carbohydrate intolerance in association with possible or proven intolerance of milk, glucose and galactose intolerance.

COMPLAN READY-TO-DRINK

For use as the sole source of nutrition or as a necessary nutritional supplement prescribed on medical grounds for:

Short bowel syndrome, intractable malabsorption, pre-operative preparation of patients who are undernourished, patients with proven inflammatory bowel disease, following total gastrectomy, dysphagia, bowel fistulae, disease-related malnutrition. Not to be prescribed for any child under one year; use with caution for young children up to five years of age.

CORN FLOUR AND CORN STARCH

Hypoglycaemia associated with glycogen storage disease.

COVERING CREAMS AND CONCEALMENT OF BIRTH MARKS

Covermark Classic Foundation	Dermacolor Fixing Powder
Covermark Finishing Powder	Keromask Finishing Powder
Dermablend Cover Creme	Keromask Masking Cream
Dermablend Leg and Body Cover	Veil Cover Cream
Dermablend Setting Powder	Veil Finishing Powder
Dermacolor Camouflage Cream	

For post operative scars and other deformities and as adjunctive therapy in the relief of emotional disturbance due to disfiguring skin disease, such as vitiligo.

COVERMARK PRODUCTS

See: Covering Creams

DELPH SUN LOTION SPF15, SPF20, SPF25, SPF30

Protection from UV radiation in abnormal cutaneous photosensitivity resulting from genetic disorders or photodermatoses, including vitiligo and those resulting from radiotherapy, chronic or recurrent herpes simplex labialis.

BORDERLINE SUBSTANCES**LIST A****DERMABLEND**

See: Covering Creams

DERMACOLOR CAMOUFLAGE SYSTEM

See: Covering Creams

DEXTROSE

Glycogen storage disease and sucrose/isomaltose intolerance.

DIALAMINE

Oral feeding where essential amino acid supplements are required, for example chronic renal failure, hypoproteinaemia, wound fistula leakage with excessive protein loss, conditions requiring a controlled nitrogen intake and haemodialysis.

DIETARY SPECIALS (formerly DS DIETARY SPECIALS)

See: Gluten-Free Products

DISINFECTANTS (ANTISEPTICS)

May be prescribed on FPIO only when ordered in such quantities and with such directions as are appropriate for the treatment of patients, but not if ordered for general hygienic purposes.

DS DIETARY SPECIALS

See: DIETARY SPECIALS

dp LOW-PROTEIN PRODUCTS

See: Low-Protein Products.

DUOBAR (strawberry, toffee, neutral)

Disease related malnutrition, malabsorption states or other conditions requiring fortification with a fat/carbohydrate supplement.

DUOCAL (LIQUID, MCT POWDER AND SUPER SOLUBLE)

Disease related malnutrition, malabsorption states or other conditions requiring fortification with a fat/carbohydrate supplement.

E45 EMOLLIENT BATH OIL**E45 EMOLLIENT WASH CREAM**

Endogenous and exogenous eczema, xeroderma, ichthyosis and senile pruritus associated with dry skin.

E45 LOTION

Symptomatic relief of dry skin conditions, such as those associated with atopic eczema and contact dermatitis.

E45 SUN BLOCK SPF 25**E45 SUN BLOCK SPF 50**

Protection from UV radiation in abnormal cutaneous photosensitivity resulting from genetic disorders or photodermatoses, including vitiligo, and those resulting from radiotherapy; chronic or recurrent herpes simplex labialis.

EASIPHEN

For use in the dietary management of proven phenylketonuria in older children (above 8 years) and adults.

ELEMENTAL 028 (FLAVOURED AND UNFLAVOURED)**ELEMENTAL 028 EXTRA****ELEMENTAL 028 EXTRA (LIQUID)**

For use as the sole source of nutrition or as a necessary nutritional supplement prescribed on medical grounds for:

Short bowel syndrome, intractable malabsorption, patients with proven inflammatory bowel disease, bowel fistulae. Not to be prescribed for any child under one year; use with caution for young children up to five years of age.

BORDERLINE SUBSTANCES

LIST A

EMSOGEN (FLAVOURED AND UNFLAVOURED)

For use as the sole source of nutrition or as a necessary nutritional supplement prescribed on medical grounds for:

Short bowel syndrome, intractable malabsorption, patients with proven inflammatory bowel disease, bowel fistulae. Not to be prescribed for any child under one year; use with caution for young children up to five years of age.

ENER-G GLUTEN-FREE AND LOW-PROTEIN PRODUCTS

See: Gluten-Free and Low-protein Products

ENER-G LOW-PROTEIN PRODUCTS

See: Low-Protein Products

ENER-G XANTHAN GUM

For use in the dietary management of gluten sensitive enteropathies, including steatorrhoea due to gluten-sensitivity, coeliac disease, and dermatitis herpetiformis.

ENERGIVIT

For infants requiring additional energy, vitamins, minerals and trace elements following a protein restricted diet.

ENFAMIL AR

Significant reflux disease. For use not in excess of a 6-month period. Not to be used in conjunction with any other thickener or antacid product.

ENFAMIL LACTOFREE

Proven lactose intolerance.

ENLIVE PLUS

As a necessary nutritional supplement prescribed on medical grounds for:

Disease related malnutrition, short bowel syndrome, intractable malabsorption, inflammatory bowel disease, bowel fistulae, dysphagia, following total gastrectomy and for pre-operative preparation of patients who are malnourished. It is not recommended for children under 1 year of age and should be used with caution in children under 5 years of age.

ENRICH

For use as the sole source of nutrition or as a necessary nutritional supplement prescribed on medical grounds for:

Short bowel syndrome, intractable malabsorption, pre-operative preparation of patients who are undernourished, patients with proven inflammatory bowel disease, following total gastrectomy, dysphagia, disease-related malnutrition. Not to be prescribed for any child under one year; use with caution for young children up to five years of age.

ENRICH PLUS

For use as a nutritional supplement for patients with disease-related malnutrition, continuous ambulatory peritoneal dialysis (CAPD) and haemodialysis, short bowel syndrome, intractable malabsorption, dysphagia, proven inflammatory bowel disease, bowel fistulae, gastrectomy and for pre-operative preparation of patients who are undernourished. Not to be prescribed for any child under one year; use with caution for young children up to five years of age.

ENSURE**ENSURE 500ml READY TO HANG (VANILLA FLAVOUR ONLY)****ENSURE BAR**

As a necessary nutritional supplement prescribed on medical grounds for:

Disease-related malnutrition, intractable malabsorption, total gastrectomy, proven inflammatory bowel disease, and pre-operative preparation of patients who are undernourished. Not to be prescribed for any child under two years; use with caution for young children up to five years of age

BORDERLINE SUBSTANCES

LIST A

ENSURE PLUS LIQUID FEED**ENSURE PLUS YOGHURT STYLE**

As a necessary nutritional supplement prescribed on medical grounds for:

Short bowel syndrome, intractable malabsorption, pre-operative preparation of patients who are undernourished, patients with proven inflammatory bowel disease, following total gastrectomy, dysphagia, bowel fistulae, disease-related malnutrition, continuous ambulatory peritoneal dialysis (CAPD), and haemodialysis. Not to be prescribed for any child under one year; use with caution for young children up to five years of age.

FARLEY'S SOYA FORMULA

Proven lactose and associated sucrose intolerance in pre-school children, galactokinase deficiency, galactosaemia and cow's milk protein intolerance.

FATE LOW PROTEIN PRODUCTS

See: Low-Protein Products

FOODLINK COMPLETE

As a necessary nutritional supplement prescribed on medical grounds for:

Short bowel syndrome, intractable malabsorption, pre-operative preparation of patients who are undernourished, patients with proven inflammatory bowel disease, following total gastrectomy, dysphagia, bowel fistulae, disease-related malnutrition. Not to be prescribed for any child under one year; use with caution for young children up to five years of age.

FORMANCE

As a necessary nutritional supplement prescribed on medical grounds for:

Short bowel syndrome, intractable malabsorption, pre-operative preparation of patients who are undernourished, patients with proven inflammatory bowel disease, following total gastrectomy, dysphagia, bowel fistulae, disease-related malnutrition, continuous ambulatory peritoneal dialysis (CAPD), and haemodialysis. Not to be prescribed for any child under one year; use with caution for young children up to five years of age.

FORTICREME

As a necessary nutritional supplement prescribed on medical grounds for:

Short bowel syndrome, intractable malabsorption, pre-operative preparation of patients who are undernourished, patients with proven inflammatory bowel disease, following total gastrectomy, dysphagia, bowel fistulae, disease-related malnutrition, continuous ambulatory peritoneal dialysis (CAPD) and haemodialysis. Not to be prescribed for any child under one year; use with caution for young children up to five years of age.

FORTIFRESH

For use as the sole source of nutrition or as a necessary nutritional supplement prescribed on medical grounds for:

Short bowel syndrome, intractable malabsorption, pre-operative preparation of patients who are undernourished, patients with proven inflammatory bowel disease, following total gastrectomy, dysphagia, bowel fistulae, disease-related malnutrition. Not to be prescribed for any child under one year; use with caution for young children up to five years of age.

FORTIJUICE

As a necessary nutritional supplement prescribed on medical grounds for:

Short bowel syndrome, intractable malabsorption, pre-operative preparation of patients who are undernourished, patients with proven inflammatory bowel disease, following total gastrectomy, dysphagia, bowel fistulae, disease-related malnutrition. Not to be prescribed for any child under one year; use with caution for young children up to five years of age.

FORTINI**FORTINI MULTI FIBRE**

For use as a necessary nutritional supplement prescribed on medical grounds for:

Disease-related malnutrition and growth failure. Not to be prescribed for any child under one year.

BORDERLINE SUBSTANCES

LIST A

FORTIMEL

As a necessary nutritional supplement prescribed on medical grounds for:

Short bowel syndrome, intractable malabsorption, pre-operative preparation of patients who are undernourished, patients with proven inflammatory bowel disease, following total gastrectomy, dysphagia, bowel fistulae, disease-related malnutrition. Not to be prescribed for any child under one year; use with caution for young children up to five years of age.

FORTISIP

See: FORTISIP BOTTLE

FORTISIP BOTTLE (formerly FORTISIP)**FORTISIP MULTIFIBRE**

As a necessary nutritional supplement prescribed on medical grounds for:

Short bowel syndrome, intractable malabsorption, pre-operative preparation of patients who are undernourished, patients with proven inflammatory bowel disease, following total gastrectomy, dysphagia, bowel fistulae, disease-related malnutrition. Not to be prescribed for any child under one year; use with caution for young children up to five years of age.

FORTISIP PROTEIN

Approved for short bowel syndrome, intractable malabsorption, pre-operative preparation of patients who are undernourished, proven inflammatory bowel disease, following total gastrectomy, bowel fistulae, disease-related malnutrition and dysphagia.

FREBINI

For use as the sole source of nutrition or as a necessary nutritional supplement prescribed on medical grounds for children aged 1-10 years or 8-30kg for:

Short bowel syndrome, intractable malabsorption, pre-operative preparation of patients who are undernourished, patients with proven inflammatory bowel disease, following total gastrectomy, dysphagia, bowel fistulae, disease-related malnutrition and/or growth failure. Not to be prescribed for any child under one year of age.

FREBINI ENERGY**FREBINI ENERGY DRINK (STRAWBERRY AND BANANA FLAVOURS)****FREBINI ENERGY FIBRE DRINK****FREBINI ORIGINAL FIBRE PROTEIN**

As a sole source of nutrition, or as a nutritional supplement for children aged 1-6 years with disease-related malnutrition and/or growth failure, proven inflammatory bowel disease, following total gastrectomy, short bowel syndrome, intractable malabsorption, dysphagia, bowel fistulae, and for the pre-operative preparation of patients who are malnourished. Not to be prescribed for any child under one year.

FREBINI ENERGY FIBRE

As a sole source of nutrition, or as a nutritional supplement for children aged 1-10 years with disease-related malnutrition and/or growth failure, proven inflammatory bowel disease, following total gastrectomy, short bowel syndrome, intractable malabsorption, dysphagia, bowel fistulae, and for the pre-operative preparation of patients who are malnourished. Not to be prescribed for any child under one year.

FRESUBIN ENERGY**FRESUBIN ENERGY FIBRE SIP FEED****FRESUBIN ENERGY FIBRE (NEUTRAL) TUBE FEED**

For use as the sole source of nutrition or as a necessary nutritional supplement prescribed on medical grounds for:

Short bowel syndrome, intractable malabsorption, pre-operative preparation of patients who are undernourished, patients with proven inflammatory bowel disease, following total gastrectomy, dysphagia, bowel fistulae, disease-related malnutrition. Not to be prescribed for any child under one year; use with caution for young children up to five years of age.

BORDERLINE SUBSTANCES**LIST A****FRESUBIN HP ENERGY**

As a necessary nutritional supplement prescribed on medical grounds for:

Short bowel syndrome, intractable malabsorption, pre-operative preparation of patients who are undernourished, patients with proven inflammatory bowel disease, following total gastrectomy, dysphagia, bowel fistulae, disease-related malnutrition continuous ambulatory peritoneal dialysis (CAPD), and haemodialysis. Not to be prescribed for any child under one year; use with caution for young children up to five years of age.

FRESUBIN ISOFIBRE

For use as the sole source of nutrition or as a necessary nutritional supplement prescribed on medical grounds for:

Short bowel syndrome, intractable malabsorption, pre-operative preparation of patients who are undernourished, patients with proven inflammatory bowel disease, following total gastrectomy, dysphagia, disease-related malnutrition. Not to be prescribed for any child under two years; use with caution for young children up to five years of age.

FRESUBIN LIQUID AND SIP FEEDS

For use as the sole source of nutrition or as a necessary nutritional supplement prescribed on medical grounds for:

Short bowel syndrome, intractable malabsorption, pre-operative preparation of patients who are undernourished, patients with proven inflammatory bowel disease, following total gastrectomy, dysphagia, bowel fistulae, disease-related malnutrition and Refsum's Disease. Not to be prescribed for any child under one year; use with caution for young children up to five years of age.

FRESUBIN PROTEIN ENERGY DRINK

As a necessary nutritional supplement prescribed on medical grounds for:

Short bowel syndrome, intractable malabsorption, pre-operative preparation of patients who are undernourished, patients with proven inflammatory bowel disease, following total gastrectomy, dysphagia, bowel fistulae, disease-related malnutrition continuous ambulatory peritoneal dialysis (CAPD), and haemodialysis. Not to be prescribed for any child under one year; use with caution for young children up to five years of age.

FRESUBIN 1000 COMPLETE

For use as the sole source of nutrition or as a necessary nutritional supplement prescribed on medical grounds for:

Short bowel syndrome, intractable malabsorption, pre-operative preparation of patients who are undernourished, patients with proven inflammatory bowel disease, following total gastrectomy, dysphagia, bowel fistula, disease-related malnutrition. Not to be prescribed for any child under one year; use with caution for young children up to five years of age.

FRESUBIN 1200 COMPLETE

For use as the sole source of nutrition or as a necessary nutritional supplement prescribed on medical grounds for:

Short bowel syndrome, intractable malabsorption, pre-operative preparation of patients who are undernourished, patients with proven inflammatory bowel disease, following total gastrectomy, bowel fistulae, disease-related malnutrition. Not to be prescribed for any child under five years of age.

FRUCTOSE

Proven glucose/galactose intolerance.

GADSBYS GLUTEN FREE PRODUCTS

See: Gluten-Free Products.

GALACTOMIN 17

Proven lactose intolerance in pre-school children, galactosaemia and galactokinase deficiency.

GALACTOMIN 19 (FRUCTOSE FORMULA)

Glucose plus galactose intolerance.

GENERAID

Patients with chronic liver disease and/or porto-hepatic encephalopathy.

GENERAID PLUS

Children over one year of age with hepatic disorders.

BORDERLINE SUBSTANCES**LIST A****GLANDOSANE**

Patients suffering from a dry mouth as a result of having or having undergone radiotherapy or sicca syndrome.

GLUCOSE

Glycogen storage disease and sucrose/isomaltose intolerance.

GLUTAFIN GLUTEN-FREE PRODUCTS

See: Gluten-Free Products.

GLUTANO GLUTEN-FREE PRODUCTS

See: Gluten-Free Products.

GLUTEN-FREE PRODUCTS (Not necessarily low-protein, lactose or sucrose free).

Aproten gluten-free flour
 Arnott's gluten-free rice cookies
 Baker's Delight wheat, gluten and dairy free bread
 Barkat brown rice pizza crust
 Barkat gluten-free bread mix
 Barkat gluten-free brown rice bread
 Barkat gluten-free wheat-free multi grain bread
 Barkat gluten-free white rice bread
 Barkat white rice pizza crust
 Bi-Aglut gluten-free biscuits
 Bi-Aglut gluten-free cracker toast
 Bi-Aglut gluten-free crackers
 Bi-Aglut gluten-free pastas (fusilli, lasagne, macaroni, penne, spaghetti)
 gluten-free brown bread mix
 Dietary Specials gluten-free corn bread mix
 Dietary Specials gluten-free cracker bread
 Dietary Specials gluten-free digestive biscuits
 Dietary Specials gluten-free fibre mix
 Dietary Specials gluten-free high fibre crackers
 Dietary Specials gluten-free hoops tea biscuits
 Dietary Specials gluten-free multigrain sliced loaf
 Dietary Specials gluten-free part baked bloomer
 Dietary Specials gluten-free part baked brown loaf
 Dietary Specials gluten-free part baked white baguettes
 Dietary Specials gluten-free part baked white buns
 Dietary Specials gluten-free part baked white loaf
 Dietary Specials gluten-free part baked white rolls
 Dietary Specials gluten-free pasta (fusilli, penne, spaghetti)
 Dietary Specials gluten-free pastry mix
 Dietary Specials gluten-free pizza bases
 Dietary Specials gluten-free savory biscuits
 Dietary Specials gluten-free sweet biscuits
 Dietary Specials gluten-free white bread mix
 Dietary Specials gluten-free white cake mix
 Dietary Specials gluten-free white mix
 Dietary Specials gluten-free white multigrain sliced loaf
 Ener-G gluten-free brown rice bread
 Ener-G gluten-free brown rice pasta (lasagne, macaroni, spaghetti)
 Ener-G gluten-free cookies (vanilla flavour)
 * Ener-G gluten-free pizza bases
 Ener-G gluten-free rice loaf
 Ener-G gluten-free rice pasta (cannelloni, lasagne, macaroni, shells, small shells, spaghetti, tagliatelle, vermicelli)
 Ener-G gluten-free Seattle brown loaf

* For established gluten enteropathy with coexisting established wheat sensitivity only

BORDERLINE SUBSTANCES**LIST A****GLUTEN-FREE PRODUCTS** (Not necessarily low-protein, lactose or sucrose free).

- * Ener-G gluten-free Seattle brown rolls (hamburger)
- * Ener-G gluten-free Seattle brown rolls (hot dog)
- * Ener-G gluten-free six flour loaf
- Ener-G gluten-free tapioca bread
- Ener-G gluten-free white rice bread
- Gadsbys gluten-free white bread
- Gadsbys gluten-free white bread flour
- Gadsbys gluten-free white rolls
- Gadsbys gluten-free white sliced bread
- * Glutafin Crisp Bread
- * Glutafin Crisp Roll
- Glutafin gluten-free biscuits
- Glutafin gluten-free crackers
- Glutafin gluten-free digestive biscuits
- Glutafin gluten-free high fibre crackers
- Glutafin gluten-free pasta (lasagne, long-cut spaghetti, macaroni penne, shells, spirals, tagliatelle nests)
- Glutafin gluten-free pizza base
- Glutafin gluten-free savoury biscuits
- Glutafin gluten-free savoury shorts
- Glutafin gluten-free sweet biscuits (without chocolate or sultanas)
- Glutafin gluten-free tea biscuits
- * Glutafin gluten-free wheat-free bread mix
- * Glutafin gluten-free wheat-free cake mix
- * Glutafin gluten-free wheat-free fibre bread mix
- Glutafin gluten-free wheat-free fibre loaf (sliced and unsliced)
- Glutafin gluten-free wheat-free fibre mix
- Glutafin gluten-free wheat-free fibre rolls
- * Glutafin gluten-free wheat-free pastry mix
- Glutafin gluten-free wheat-free white loaf (sliced and unsliced)
- Glutafin gluten-free wheat-free white mix
- Glutafin gluten-free wheat-free white rolls
- Glutafin gluten-free white bread (canned) with added soya bran
- Glutafin Select gluten-free bread mix
- Glutafin Select gluten-free cake mix
- Glutafin Select gluten-free fibre bread mix
- Glutafin Select gluten-free fibre loaf (sliced and unsliced)
- Glutafin Select gluten-free fibre mix
- Glutafin Select gluten-free fibre rolls
- Glutafin Select gluten-free fresh bread (formerly Glutafin gluten-free fresh bread)
- Glutafin Select gluten-free part-baked fibre loaf
- Glutafin Select gluten-free part-baked fibre rolls
- Glutafin Select gluten-free part-baked long fibre rolls
- Glutafin Select gluten-free part-baked long white rolls
- Glutafin Select gluten-free part-baked white loaf
- Glutafin Select gluten-free part-baked white rolls
- Glutafin Select gluten-free pastry mix
- Glutafin Select gluten-free seeded loaf
- Glutafin Select gluten-free white loaf (sliced and unsliced)
- Glutafin Select gluten-free white mix
- Glutafin Select gluten-free white rolls
- Glutano gluten-free biscuits
- Glutano gluten-free crackers
- Glutano gluten-free crispbread
- Glutano gluten-free flour mix
- Glutano gluten-free par-baked (baguette, rolls, white sliced bread)

* For established gluten enteropathy with coexisting established wheat sensitivity only

BORDERLINE SUBSTANCES**LIST A****GLUTEN-FREE PRODUCTS** (Not necessarily low-protein, lactose or sucrose free).

- Glutano gluten-free pasta (animal shapes, macaroni, spaghetti, spirals, tagliatelle)
- Glutano gluten-free shortcake rings
- Glutano gluten-free wheat-free digestive biscuit
- Glutano gluten-free wholemeal bread (sliced)
- Glutano gluten-free wholemeal par-baked bread
- Gratis gluten-free pasta (alphabets, macaroni, shells, short cut spaghetti, spirals)
- Heron Foods Organic gluten-free bread mix
- Heron Foods Organic gluten-free hi-fibre bread mix
- * Heron Foods Organic gluten-free wheat-free bread/cake mix
- * Heron Foods Organic gluten-free wheat-free hi-fibre bread mix
- Juvela gluten-free bread rolls
- Juvela gluten-free crispbread
- Juvela gluten-free digestive biscuits
- Juvela gluten-free fibre bread rolls
- Juvela gluten-free fibre loaf (sliced and unsliced)
- Juvela gluten-free fibre mix
- Juvela gluten-free harvest mix
- Juvela gluten-free lasagne
- Juvela gluten-free loaf (sliced and unsliced)
- Juvela gluten-free mix
- Juvela gluten-free part-baked bread rolls
- Juvela gluten-free part-baked fibre bread rolls
- Juvela gluten-free part-baked fibre loaf
- Juvela gluten-free part-baked loaf
- Juvela gluten-free pasta (fusilli, lasagne, macaroni, spaghetti)
- Juvela gluten-free pizza base
- Juvela gluten-free savoury biscuits
- Juvela gluten-free sweet biscuits
- Juvela gluten-free tea biscuits
- Lifestyle gluten-free bread rolls
- Lifestyle gluten-free brown bread
- Lifestyle gluten-free high fibre bread
- Lifestyle gluten-free high fibre bread rolls
- Lifestyle gluten-free white bread
- Liga gluten-free rusks (Jacob's)
- Mrs Leepers pasta (corn elbows, corn fettucine, corn penne, corn rotelli, corn vegetable radiatore, rice spaghetti, rice vegetable penne rigate, rice vegetable twists)
- Orgran bread mix
- Orgran gluten-free buckwheat spirals pasta
- Orgran gluten-free corn lasagne, corn spaghetti, corn spirals pasta
- Orgran gluten-free crispbread corn, crispbread rice
- Orgran gluten-free organic brown rice spirals
- Orgran gluten-free pizza & pastry mix
- Orgran gluten-free rice spaghetti, rice spirals
- Orgran gluten-free rice and millet spirals
- Orgran gluten-free ris o'mais (rice and maize) lasagne, ris o'mais spaghetti, ris o'mais spirals
- Orgran gluten-free split pea & soya pasta shells
- Orgran ris 'o' mais macaroni
- Orgran self-raising flour
- Pleniday gluten-free bread (sliced country loaf, petit pain (par-baked), rustic loaf sliced)
- Pleniday gluten-free pasta (conchigli, penne, rigate, tagliatelli)
- Pleniday sesame rolls
- Polial gluten-free biscuits
- * Proceli brown rice bread
- * Proceli pizza bases

* For established gluten enteropathy with coexisting established wheat sensitivity only

BORDERLINE SUBSTANCES**LIST A****GLUTEN-FREE PRODUCTS** (Not necessarily low-protein, lactose or sucrose free).

- * Proceli sliced white bread
- Pure gluten-free blended flour
- Rite-Diet gluten-free fibre mix
- Rite-Diet gluten-free fibre rolls
- Rite-Diet gluten-free fibre bread (sliced and unsliced)
- Rite-Diet gluten-free white bread (sliced and unsliced)
- Rite-Diet gluten-free white mix
- Rite-Diet gluten-free white rolls
- Rite-Diet gluten-free part-baked fibre loaf
- Rite-Diet gluten-free 2 part-baked long fibre rolls
- Rite-Diet gluten-free 2 part-baked long white rolls
- Rite-Diet gluten-free part-baked white loaf
- Sarahvee gluten-free mix
- Schar gluten-free biscuits
- Schar gluten-free bread
- Schar gluten-free bread mix
- Schar gluten-free bread rolls
- Schar gluten-free brown bread ertha
- Schar gluten-free cake mix
- Schar gluten-free crackers
- Schar gluten-free cracker toast
- Schar gluten-free crispbread
- Schar gluten-free flour mix for cooking
- Schar gluten-free french bread (baguette)
- Schar gluten-free frollini tea biscuits
- Schar gluten-free grissini breadsticks
- Schar gluten-free pasta (alphabet pasta, bavette, fusilli, lasagne, macaroni, penne, spaghetti)
- Schar gluten-free pizza base
- Schar gluten-free savoy biscuits
- Schar gluten-free wheat-free biscottini
- Schar gluten-free wheat-free bread buns (white)
- Schar gluten-free wheat-free lunch rolls
- Schar gluten-free white bread
- Schar gluten-free wholemeal bread
- Schar gluten-free wholemeal flour mix
- Sunnyvale gluten-free mixed grain sourdough bread
- Tritamyl gluten-free brown bread mix
- Tritamyl gluten-free flour
- Tritamyl gluten-free white bread mix
- Ultra gluten-free baguette
- Ultra gluten-free bread
- Ultra gluten-free bread rolls
- Ultra gluten-free crackerbread
- Ultra gluten-free high fibre bread
- Ultra gluten-free pasta (tagliatelle, spaghetti, penne, fusilli)
- Ultra gluten-free pizza base
- Ultra gluten-free sweet biscuits
- Valpiform gluten-free and wheat free pastry mix
- Valpiform gluten-free bread mix
- Valpiform gluten-free country loaf
- Valpiform gluten-free crac'form toast
- Valpiform gluten-free crisp rolls
- Valpiform gluten-free maxi baguettes
- Valpiform gluten-free pastry mix
- Valpiform gluten-free petites baguettes

BORDERLINE SUBSTANCES

LIST A

GRATIS GLUTEN-FREE PRODUCTS

See: Gluten-Free Products

HARIFEN PRODUCTS

See: Low Protein Products

HERON FOODS (formerly ORGANIC Products)

See: Gluten-Free Products

INFATRINI

Disease-related malnutrition, malabsorption, and growth failure in infancy.

INFASOY

Proven lactose and associated sucrose intolerance in pre-school children, galactokinase deficiency, galactosaemia and proven whole cows milk sensitivity.

INSTANT CAROBEL

Thickening feeds in the treatment of vomiting.

ISOMIL

Proven lactose intolerance in pre-school children, galactokinase deficiency, galactosaemia and proven whole cows milk sensitivity.

ISOSOURCE ENERGY

For use as the sole source of nutrition or as a necessary nutritional supplement prescribed on medical grounds for:

Short bowel syndrome, intractable malabsorption, pre-operative preparation of patients who are undernourished, patients with proven inflammatory bowel disease, following total gastrectomy, dysphagia, bowel fistulae, disease-related malnutrition. Not to be prescribed for any child under one year; use with caution for young children up to five years of age.

ISOSOURCE ENERGY FIBRE

A high energy nutritionally complete enteral tube feed liquid with fibre prescribed on medical grounds for:-
Dietary management of patients with short bowel syndrome, intractable malabsorption, pre-operative preparation of patients who are undernourished, inflammatory bowel disease, following total gastrectomy, dysphagia and disease related malnutrition. It can also be recommended for patients requiring high energy intake or a fluid restricted diet.

ISOSOURCE FIBRE**ISOSOURCE STANDARD**

For use as the sole source of nutrition or as a necessary nutritional supplement prescribed on medical grounds for:

Short bowel syndrome, intractable malabsorption, pre-operative preparation of patients who are undernourished, patients with proven inflammatory bowel disease, following total gastrectomy, dysphagia, bowel fistulae, disease-related malnutrition. Not to be prescribed for any child under one year; use with caution for young children up to five years of age.

ISOSOURCE JUNIOR

A nutritionally complete feed approved for disease related malnutrition, short bowel syndrome, intractable malabsorption, pre-operative preparation of patients who are malnourished, proven inflammatory bowel disease, following total gastrectomy, dysphagia and growth failure from 1 to 6 years of age and 8 to 20kg.

JEVITY

For use as the sole source of nutrition or as a necessary nutritional supplement prescribed on medical grounds for:

Short bowel syndrome, intractable malabsorption, pre-operative preparation of patients who are undernourished, patients with proven inflammatory bowel disease, following total gastrectomy, dysphagia, disease-related malnutrition. Not to be prescribed for any child under one year; use with caution for young children up to five years of age.

BORDERLINE SUBSTANCES**LIST A****JEVITY PLUS**

For use as the sole source of nutrition or as a necessary nutritional supplement prescribed on medical grounds for:

Short bowel syndrome, intractable malabsorption, pre-operative preparation of patients who are undernourished, patients with proven inflammatory bowel disease, following total gastrectomy, dysphagia, bowel fistulae, disease-related malnutrition. Not recommended for any child under ten years of age.

JEVITY 1.5 KCAL

For use as the sole source of nutrition or as a necessary nutritional supplement prescribed on medical grounds for:

Short bowel syndrome, intractable malabsorption, pre-operative preparation of patients who are undernourished, patients with proven inflammatory bowel disease, following total gastrectomy, dysphagia, disease-related malnutrition, bowel fistulae.

JUVELA GLUTEN-FREE PRODUCTS

See: Gluten-Free Products.

JUVELA LOW-PROTEIN PRODUCTS

See: Low-Protein Products

KEROMASK

See: Covering creams.

KINDERGEN

Complete nutritional support or supplementary feeding for infants and children with chronic renal failure who are receiving peritoneal rapid overnight dialysis.

L-ARGININE SUPPLEMENT FOR UREA CYCLE DISORDERS (S.H.S.)

Urea cycle disorders other than arginase deficiency, such as hyperammonaemia types I and II, citrullaemia, arginossuccinic aciduria, and deficiency of N-acetyl glutamate synthetase.

LEUCINE FREE AMINO ACID MIX

See: XLEU Faladon

LIFESTYLE GLUTEN-FREE PRODUCTS

See: Gluten-Free Products.

LIGA GLUTEN-FREE RUSKS (JACOB'S)

See: Gluten-Free Products.

LIQUIGEN

Steatorrhoea associated with cystic fibrosis of the pancreas, intestinal lymphangiectasia, surgery of the intestine, chronic liver disease, liver cirrhosis, other proven malabsorption syndromes, a ketogenic diet in the management of epilepsy and in type 1 hyperlipoproteinaemia.

LOCASOL

Calcium intolerance

LOPROFIN LOW-PROTEIN PRODUCTS

See: Low-Protein Products

LOPROFIN PKU DRINK

Phenylketonuria

LOW-PROTEIN PRODUCTS

Aglutella low-protein rice
 Aproten low-protein biscuits
 Aproten low-protein bread mix
 Aproten low-protein crispbread
 Aproten low-protein pastas (anellini, ditalini, rigatini, spaghetti, tagliatelle)
 Ener-G low-protein egg replacer
 Ener-G low-protein pasta (lasagne, macaroni, large shells, small shells, spaghetti)
 Ener-G low-protein rice bread
 Fate low-protein all-purpose mix
 Fate low-protein cake mix

BORDERLINE SUBSTANCES**LIST A****LOW-PROTEIN PRODUCTS**

Fate low-protein chocolate flavour cake mix
 Fate low-protein potato mix
 Harifen Low Protein Cracker Toast
 Harifen White Chip Cookies
 Juvela low-protein bread rolls
 Juvela low-protein chocolate chip, cinnamon and orange flavour cookies
 Juvela low-protein loaf (sliced and unsliced)
 Juvela low-protein mix
 Juvela low-protein pizza base
 Loprofin low-protein breakfast cereal
 Loprofin low-protein chocolate flavour cream biscuits
 Loprofin low-protein chocolate, orange and vanilla flavour cream wafers
 Loprofin low-protein cinnamon and chocolate chip cookies
 Loprofin low-protein crackers
 Loprofin low-protein egg replacer
 Loprofin low-protein egg white replacer
 Loprofin low-protein fibre bread (sliced and unsliced)
 Loprofin low-protein herb crackers
 Loprofin low-protein loaf (sliced and unsliced)
 Loprofin low-protein mix
 Loprofin low-protein part baked rolls
 Loprofin low-protein pasta (long-cut spaghetti, macaroni penne, spirals, vermicelli, lasagne)
 Loprofin low-protein snack pot
 Loprofin low-protein sweet biscuits
 Loprofin low-protein white bread rolls
 PK Foods Aminex low-protein biscuits
 PK Foods Aminex low-protein cookies
 PK Foods Aminex low-protein rusks
 PK Foods low-protein crispbread
 PK Foods low-protein pasta spirals
 PK Foods low-protein white sliced bread
 Promin low-protein cous cous
 Promin low-protein imitation rice
 Promin low-protein lasagne sheets
 Promin low-protein pasta (alphabets, macaroni, shells, short cut spaghetti, spirals)
 Promin low-protein pasta in sauce (cheese and broccoli, tomato pepper and herb flavours)
 Promin low-protein pastameal
 Promin low protein tricolour pasta (alphabets, shells, spirals)
 Rite-Diet low-protein baking mix.
 Rite-Diet low-protein flour mix
 Ultra low-protein canned brown bread
 Ultra low-protein canned white bread
 Ultra PKU biscuits
 Ultra PKU bread
 Ultra PKU cookies
 Ultra PKU flour mix
 Ultra PKU pizza base
 Ultra PKU savoy biscuits
 Valpiform low-protein cookies with chocolate nuggets and hazelnut flavour
 Valpiform low-protein savory bites (herbs flavour)
 Valpiform low-protein savory bites (tomato flavour)
 Valpiform low-protein shortbread biscuits

Inherited metabolic disorders, renal or liver failure requiring a low-protein diet

L-TYROSINE SUPPLEMENT FOR PHENYLKETONURIA
 Maternal Phenylketonurics who have low plasma tyrosine levels

BORDERLINE SUBSTANCES**LIST A****LUBORANT SALIVA REPLACEMENT**

Patients suffering from a dry mouth as a result of having or having undergone radiotherapy or sicca syndrome

MAPLEFLEX (UNFLAVOURED)

A leucine, isoleucine and valine free mix for use in the dietary management of MSUD approved for patients aged between 1 and 10 years.

MAXIJUL LE**MAXIJUL LIQUID****MAXIJUL SUPER SOLUBLE**

Disease related malnutrition, malabsorption states or other conditions requiring fortification with a high or readily available carbohydrate supplement.

MAXIPRO SUPER SOLUBLE

Biochemically proven hypoproteinaemia. Not to be prescribed for any child under one year; unsuitable as a sole source of nutrition

MAXISORB

Biochemically proven or clinical evidence of protein deficiency, and if recommended by a renal unit.

MCT PEPPITE**MCT PEPPITE 1+**

Disorders in which a high intake of MCT is beneficial

MEDIUM-CHAIN TRIGLYCERIDE (MCT) OIL

Steatorrhoea associated with cystic fibrosis of the pancreas, intestinal lymphangiectasia, surgery of the intestine, chronic liver disease, liver cirrhosis, other proven malabsorption syndromes, in a ketogenic diet in the management of epilepsy and in type 1 hyperlipoproteinaemia.

METABOLIC MINERAL MIXTURE

Mineral supplement in synthetic diets.

METHIONINE-FREE AMINO ACID MIX

See: XMET Homidon

METHIONINE, THREONINE & VALINE FREE, ISOLEUCINE-LOW AMINO ACID MIX

See: XMTVI Asadon

MILUPA LOW-PROTEIN DRINK

Inherited disorders of amino acid metabolism in childhood.

MINAPHLEX FLAVOURED & UNFLAVOURED

For use in the dietary management of children with phenylketonuria.

MODULEN IBD

For the sole source of nutrition during the active phase of Crohn's disease, and for nutritional support during the remission phase in patients who are malnourished. Not to be prescribed for any child under one year; use with caution for young children up to five years of age. This product may be flavoured with NESTLE CLINICAL NUTRITION FLAVOUR SACHETS.

XV**MONOGEN**

Long chain acyl-coa dehydrogenase deficiency (LCAD), carnitine palmitoyl transferase deficiency (CPTD), and primary and secondary lipoprotein lipase deficiency

MRS LEEPERS PRODUCTS

See: Gluten - Free products

MSUD AID III

Maple syrup urine disease (MSUD) and related conditions when it is necessary to limit the intake of branched chain amino acids

MSUD MAXAMAID

Maple syrup urine disease

BORDERLINE SUBSTANCES

LIST A

NEOCATE

Proven whole protein intolerance, short bowel syndrome, intractable malabsorption, and other gastrointestinal disorders where an elemental diet is specifically indicated.

NEOCATE ADVANCE (UNFLAVOURED, BANANA VANILLA FLAVOUR AND STRAWBERRY VANILLA FLAVOUR)

Proven whole protein intolerance, short bowel syndrome, intractable malabsorption, and other gastrointestinal disorders where an elemental diet is specifically indicated.

NEPRO

Patients with chronic renal failure who are on haemodialysis or complete ambulatory peritoneal dialysis (CAPD), or patients with cirrhosis or other conditions requiring a high energy, low fluid, low electrolyte diet.

NESTARGEL

Thickening of foods in the treatment of vomiting.

NESTLE CLINICAL NUTRITION FLAVOUR SACHETS

For use with VANILLA-FLAVOURED PEPTAMEN and MODULEN IBD.

NOVASOURCE FORTE

For use as the sole source of nutrition, or as a necessary nutritional supplement prescribed on medical grounds for:

Short bowel syndrome, intractable malabsorption, pre-operative preparation of patients who are undernourished, patients with proven inflammatory bowel disease, following total gastrectomy, dysphagia, bowel fistulae, disease-related malnutrition, neoplasia-related cachexia. Not to be prescribed for any child under one year; use with caution for young children up to five years of age.

NOVASOURCE GI CONTROL

For use as the sole source of nutrition, or as a necessary nutritional supplement prescribed on medical grounds for:

Short bowel syndrome, intractable malabsorption, pre-operative preparation of patients who are undernourished, patients with proven inflammatory bowel disease, following total gastrectomy, dysphagia, bowel fistulae, disease-related malnutrition. Not to be prescribed for any child under one year, use with caution for young children up to five years of age.

NUTILIS

Thickening of foods in dysphagia. Not to be prescribed for children under one year old except in cases of failure to thrive.

NUTRAMIGEN

See: Nutramigen 1

NUTRAMIGEN 1 (formerly NUTRAMIGEN)

Disaccharide and/or whole protein intolerance where additional MCT is not indicated

NUTRAMIGEN 2

Established whole protein sensitivity and/or disaccharide intolerance in patients over 6 months in age.

NUTRINI

For use as the sole source of nutrition or as a necessary nutritional supplement prescribed on medical grounds for:

Short bowel syndrome, intractable malabsorption, pre-operative preparation of patients who are undernourished, dysphagia, bowel fistulae, disease-related malnutrition and/or growth failure. Not to be prescribed for any child under one year.

NUTRINI ENERGY (formerly NUTRINI EXTRA)

For use as the sole source of nutrition or as a necessary nutritional supplement prescribed on medical grounds for:

Short bowel syndrome, intractable malabsorption, pre-operative preparation of patients who are undernourished, patients with proven inflammatory bowel disease, following total gastrectomy, dysphagia, bowel fistulae, disease-related malnutrition and/or growth failure. Not to be prescribed for any child under one year.

BORDERLINE SUBSTANCES

LIST A

NUTRINI ENERGY MULTIFIBRE

It is indicated for:

Short bowel syndrome, intractable malabsorption, pre operative preparation of undernourished patients, total gastrectomy, dysphagia, disease related malnutrition and growth failure.

NUTRINI EXTRA

See: Nutrini Energy

NUTRINI LOW ENERGY MULTIFIBRE

It is indicated for:

Short bowel syndrome, intractable malabsorption, pre operative preparation of undernourished patients, total gastrectomy, dysphagia, disease related malnutrition and growth failure.

NUTRINI MULTIFIBRE

For use as the sole source of nutrition or as a necessary nutritional supplement prescribed on medical grounds for:

Short bowel syndrome, intractable malabsorption, pre-operative preparation of patients who are undernourished, patients with proven inflammatory bowel disease, following total gastrectomy, dysphagia, bowel fistulae, disease-related malnutrition and/or growth failure. Not to be prescribed for any child under one year.

NUTRIPREM 2

Suitable for catch-up growth in pre-term infants (ie less than 35 weeks at birth) and small for gestational age infants, until 6 months corrected age.

NUTRISON ENERGY

As a necessary nutritional supplement prescribed on medical grounds for:

Short bowel syndrome, intractable malabsorption, pre-operative preparation of patients who are undernourished, patients with proven inflammatory bowel disease, following total gastrectomy, dysphagia, bowel fistulae, disease-related malnutrition. Not to be prescribed for any child under one year; use with caution for young children up to five years of age.

NUTRISON MCT

As a necessary nutritional supplement prescribed on medical grounds for:

Short bowel syndrome, intractable malabsorption, pre-operative preparation of patients who are undernourished, patients with proven inflammatory bowel disease, following total gastrectomy, dysphagia, bowel fistulae, disease-related malnutrition. Not to be prescribed for any child under one year; use with caution for young children up to five years of age.

NUTRISON ENERGY MULTIFIBRE**NUTRISON MULTIFIBRE**

For use as the sole source of nutrition or as a necessary nutritional supplement prescribed on medical grounds for:

Short bowel syndrome, intractable malabsorption, pre-operative preparation of patients who are undernourished, patients with proven inflammatory bowel disease, following total gastrectomy, dysphagia, bowel fistulae, disease-related malnutrition. Not to be prescribed for any child under one year; use with caution for young children up to five years of age.

XV**NUTRISON SOYA**

For use as the sole source of nutrition or as a necessary nutritional supplement prescribed on medical grounds for:

Short bowel syndrome, intractable malabsorption, pre-operative preparation of patients who are undernourished, patients with proven inflammatory bowel disease, following total gastrectomy, dysphagia, bowel fistulae, disease-related malnutrition, cows milk protein and lactose intolerance. Not to be prescribed for any child under one year; use with caution for young children up to five years of age.

NUTRISON STANDARD

For use as the sole source of nutrition or as a necessary nutritional supplement prescribed on medical grounds for:

Short bowel syndrome, intractable malabsorption, pre-operative preparation of patients who are undernourished, patients with proven inflammatory bowel disease, following total gastrectomy, dysphagia, bowel fistulae, disease-related malnutrition. Not to be prescribed for any child under one year; use with caution for young children up to five years of age.

BORDERLINE SUBSTANCES

LIST A

NUTRISON VITAPLUS MULTI FIBRE

Approved for short bowel syndrome, intractable malabsorption, pre-operative preparation of patients who are undernourished, proven inflammatory bowel disease, following total gastrectomy, disease-related malnutrition and dysphagia.

ORALBALANCE DRY MOUTH SALIVA REPLACEMENT GEL

See: Biotene Oralbalance

ORGANIC GLUTEN-FREE PRODUCTS

See: Heron Foods

OGRAN GLUTEN-FREE PRODUCTS

See: Gluten-Free Products

OSMOLITE

For use as the sole source of nutrition or as a necessary nutritional supplement prescribed on medical grounds for:

Short bowel syndrome, intractable malabsorption, pre-operative preparation of patients who are undernourished, patients with proven inflammatory bowel disease, following total gastrectomy, dysphagia, bowel fistulae, disease-related malnutrition. Not to be prescribed for any child under one year; use with caution for young children up to five years of age.

OSMOLITE PLUS

For use as the sole source of nutrition or as a necessary nutritional supplement prescribed on medical grounds for:

Short bowel syndrome, intractable malabsorption, pre-operative preparation of patients who are undernourished, patients with proven inflammatory bowel disease, following total gastrectomy, dysphagia, bowel fistulae, disease-related malnutrition. Not recommended for any child under ten years of age.

PAEDIASURE

For use as the sole source of nutrition or as a necessary nutritional supplement prescribed on medical grounds for children aged 1-10 years or 8-30kg for:

Short bowel syndrome, intractable malabsorption, pre-operative preparation of patients who are undernourished, dysphagia, bowel fistulae, disease-related malnutrition and/or growth failure. Not to be prescribed for any child under one year.

PAEDIASURE PLUS

For use as the sole source of nutrition, or as a necessary nutritional supplement prescribed on medical grounds for children aged 1-10 years or 8-30kg for:

Short bowel syndrome, intractable malabsorption, pre-operative preparation of patients who are undernourished, dysphagia, bowel fistulae, disease-related malnutrition, and/or growth failure. Not to be prescribed for any child under one year.

PAEDIASURE WITH FIBRE

For use as the sole source of nutrition, or as a necessary nutritional supplement prescribed on medical grounds for children aged 1-10 years or 8-30kg for:

Short bowel syndrome, intractable malabsorption, pre-operative preparation of patients who are undernourished, dysphagia, bowel fistulae, disease-related malnutrition, and/or growth failure. Not to be prescribed for any child under one year.

PAEDIASURE PLUS WITH FIBRE (TUBE FEED)

As a sole source of nutrition, or as a nutritional supplement for children aged 1-10 years or 8-30kg with disease-related malnutrition and/or growth failure, short bowel syndrome, intractable malabsorption, dysphagia, bowel fistulae, and for the pre-operative preparation of patients who are malnourished. Not to be prescribed for any child under one year.

PAEDIATRIC SERAVIT

Vitamin and mineral supplement in restrictive therapeutic diets in infants and children.

PEPDITE**PEPDITE 1+**

Disaccharide and/or whole protein intolerance, or where amino acids or peptides are indicated in conjunction with MCT.

BORDERLINE SUBSTANCES**LIST A****PEPDITE 1+ (BANANA FLAVOUR)**

Whole protein intolerance, or where amino acids or peptides are indicated in conjunction with MCT.

PEPTAMEN (FLAVOURED AND UNFLAVOURED)

For use as the sole source of nutrition or as a necessary nutritional supplement prescribed on medical grounds for:

Short bowel syndrome, intractable malabsorption, patients with proven inflammatory bowel disease, bowel fistulae. Not to be prescribed for any child under one year; use with caution for young children up to five years of age. This product may be flavoured with NESTLE CLINICAL NUTRITION FLAVOUR SACHETS

PEPTI - JUNIOR

Disaccharide and/or whole protein intolerance, or where amino acids and peptides are indicated in conjunction with MCT.

PEPTISORB

For use as the sole source of nutrition or as a necessary nutritional supplement prescribed on medical grounds for:-

Short bowel syndrome, intractable malabsorption, patients with proven inflammatory bowel disease, bowel fistulae. Not to be prescribed for any child under one year; use with caution for young children up to five years of age.

PERATIVE

As a necessary nutritional supplement prescribed on medical grounds for:

Short bowel syndrome, intractable malabsorption, pre-operative preparation of patients who are undernourished, patients with proven inflammatory bowel disease, following total gastrectomy, bowel fistulae, disease-related malnutrition. Not to be prescribed for any child under five years of age.

PHLEXY-10 EXCHANGE SYSTEM (BAR, CAPSULES AND DRINK MIX)

Phenylketonuria

PHLEXY-10 TABLETS

For Phenylketonuria only

PHLEXYVITS

For use as a vitamin and mineral component of restricted therapeutic diets for older children, from the age of around eleven years, and adults with phenylketonuria and similar amino acid abnormalities.

PK AID 4

Phenylketonuria

PK FOODS LOW-PROTEIN PRODUCTS

See: Low-Protein Products

PK FOODS LOW-PROTEIN RANGE (FLOUR MIX, EGG REPLACER, CHOCOLATE CHIP COOKIES, CINNAMON COOKIES, ORANGE COOKIES, JELLY MIX DESSERT ORANGE FLAVOUR, JELLY MIX DESSERT CHERRY FLAVOUR)

Phenylketonuria

PKU 2 (MILUPA)

Phenylketonuria

PKU 3 (MILUPA)

Phenylketonuria (not normally to be prescribed for a child below about 8 months old.)

PKU EXPRESS

Phenylketonuria

PKU-GEL

As part of the low-protein dietary management of phenylketonuria in children aged one to ten years. Not recommended for children under one year of age.

PLENIDAY GLUTEN-FREE PRODUCTS

See: Gluten-Free Products.

POLIAL GLUTEN-FREE PRODUCTS

See: Gluten-Free Products.

BORDERLINE SUBSTANCES

LIST A

POLYCAL LIQUID

Disease related malnutrition, malabsorption states or other conditions requiring fortification with a high or readily available carbohydrate supplement.

POLYCOSE POWDER

Disease related malnutrition, malabsorption states or other conditions requiring fortification with a high or readily available carbohydrate supplement.

PREGESTIMIL

Disaccharide and/or whole protein intolerance, or where amino acids or peptides are indicated in conjunction with MCT.

PREJOMIN (MILUPA)

Disaccharide and/or whole protein intolerance where additional MCT is not indicated

PREMCARE

Suitable for catch-up growth in pre-term infants (ie less than 35 weeks at birth) and small for gestational age infants, until 6 months post-natal age.

PRO-CAL

Disease-related malnutrition, malabsorption states or other conditions requiring fortification with a fat/carbohydrate supplement. Not to be prescribed for any child under one year; use with caution for young children up to five years of age.

PROCELI PRODUCTS (formerly BERCOELI PRODUCTS)

See: Gluten-Free Products

PROMIN LOW-PROTEIN PRODUCTS

See: Low-Protein Products

PRO-MOD

Biochemically proven hypoproteinaemia.

PROSOBEE LIQUID AND POWDER

Proven lactose and associated sucrose intolerance in pre-school children, glactokinase deficiency, galactosaemia and proven whole cows milk sensitivity.

PROSURE

As a nutritional supplement for patients with cancer cachexia.

PROSURE 500ml READY TO HANG

As a sole source of nutrition, or as a nutritional supplement for children aged 1-6 years with disease-related malnutrition and/or growth failure, short bowel syndrome, intractable malabsorption, dysphagia, bowel fistulae, and for the pre-operative preparation of patients who are malnourished. Not to be prescribed for any child under one year.

PROTIFAR

Biochemically proven hypoproteinaemia.

PROVIDE XTRA

As a necessary nutritional supplement prescribed on medical grounds for:

Short bowel syndrome, intractable malabsorption, pre-operative preparation of patients who are undernourished, patients with proven inflammatory bowel disease, following total gastrectomy, dysphagia, bowel fistulae, disease-related malnutrition. Not to be prescribed for any child under one year; use with caution for young children up to five years of age.

PURE GLUTEN-FREE PRODUCTS

See: Gluten-Free products

PURE XANTHAN GUM

For use in the dietary management of gluten-sensitive enteropathies, including steatorrhoea due to gluten-sensitivity, coeliac disease, and dermatitis herpetiformis.

BORDERLINE SUBSTANCES

LIST A

QUICKCAL

Disease-related malnutrition, malabsorption states or other conditions requiring fortification with a fat/carbohydrate supplement. Not to be prescribed for any child under one year; use with caution for young children up to five years of age.

RECTIFIED SPIRIT

Where the therapeutic qualities of alcohol are required rectified spirit (suitably flavoured and diluted) should be prescribed.

RENAMIL

Chronic renal failure. Not suitable for infants and young children under one year of age.

RENAPRO

Dialysis and hypoproteinaemia. Not suitable for infants and children under one year of age.

RESOURCE BENEFIBER

As a necessary nutritional supplement prescribed on medical grounds for:
Short bowel syndrome, intractable malabsorption, pre-operative preparation of patients who are undernourished, patients with proven inflammatory bowel disease, following total gastrectomy, bowel fistulae, disease-related malnutrition. Not to be prescribed for any child under five years of age.

RESOURCE ENERGY DESSERT

As a necessary nutritional supplement prescribed on medical grounds for:
Short bowel syndrome, intractable malabsorption, pre-operative preparation of patients who are undernourished, patients with proven inflammatory bowel disease, following total gastrectomy, dysphagia, bowel fistulae, disease-related malnutrition, continuous ambulatory peritoneal dialysis (CAPD) and haemodialysis. Not to be prescribed for any child under one year; use with caution for young children up to five years of age.

RESOURCE FRUIT FLAVOUR DRINK

Nutritionally balanced medical food, formulated to prevent or correct malnutrition in patients requiring a non-milk tasting, lactose free and fat free nutritional supplement.

RESOURCE PROTEIN EXTRA

As a necessary nutritional supplement prescribed on medical grounds for:
Short bowel syndrome, intractable malabsorption, pre-operative preparation of patients who are undernourished, patients with proven inflammatory bowel disease, following total gastrectomy, dysphagia, bowel fistulae, disease-related malnutrition. Not to be prescribed for any child under one year; use with caution for young children up to five years of age.

RESOURCE SHAKE NUTRITIONAL SUPPLEMENT

As a necessary nutritional supplement prescribed on medical grounds for:
Disease-related malnutrition, short bowel syndrome, intractable malabsorption, proven inflammatory bowel disease, bowel fistulae, dysphagia. May also be used for pre-operative preparation of undernourished patients and after total gastrectomy

RESOURCE THICKENUP WITHOUT VITAMINS AND MINERALS

Thickening of foods in dysphagia. Not to be prescribed for children under three years of age.

XV**RESOURCE THICKENED SQUASH AND RESOURCE READY THICKENED DRINKS**

Dysphagia. Not suitable for infants and children under one year of age.

RITE-DIET GLUTEN-FREE AND LOW-PROTEIN PRODUCTS

See: Gluten-Free and Low-Protein Products.

ROC TOTAL SUNBLOCK CREAM SPF 25

Protection from UV radiation in abnormal cutaneous photosensitivity resulting from genetic disorders or photodermatoses, including vitiligo and those resulting from radiotherapy; chronic or recurrent herpes simplex labialis.

SALIVA ORTHANA

See: A.S. Saliva Orthana

BORDERLINE SUBSTANCES

LIST A

SALIVEZE**SALIVIX PASTILLES**

Patients suffering from a dry mouth as a result of having or having undergone radiotherapy or sicca syndrome.

SARAHVEE GLUTEN-FREE PRODUCTS

See: Gluten-Free products.

SARAHVEE XANTHAN GUM

For use in the dietary management of gluten sensitive enteropathies, including steatorrhoea due to gluten-sensitivity, coeliac disease, and dermatitis herpetiformis.

SCANDISHAKE MIX FLAVOURED AND UNFLAVOURED

Disease related malnutrition, malabsorption states or other conditions requiring fortification with a fat/carbohydrate supplement.

SCHAR GLUTEN-FREE PRODUCTS

See: Gluten-Free Products

SHS FLAVOUR MODJUL

For use with any unflavoured product based on peptides or amino acids.

SHS FLAVOUR SACHETS

For use with SHS unflavoured amino acid and peptide based products.

SMA HIGH ENERGY

Disease-related malnutrition, malabsorption and growth failure in infancy.

SMA LF

Proven lactose intolerance

SNO-PRO DRINK

Phenylketonuria, chronic renal failure, and other inborn errors of metabolism

SONDALIS 1.5 LIQUID FEED**SONDALIS FIBRELIQUID FEED****SONDALIS ISO LIQUID FEED**

For use as the sole source of nutrition or as necessary nutritional supplements prescribed on medical grounds for:

Short bowel syndrome, intractable malabsorption, pre-operative preparation of patients who are undernourished, patients with proven inflammatory bowel disease, following total gastrectomy, dysphagia, bowel fistulae, disease-related malnutrition.

Not to be prescribed for any child under one year; use with caution for young children up to five years of age.

SONDALIS JUNIOR

For use as the sole source of nutrition, or as a necessary nutritional supplement prescribed on medical grounds for:

Short bowel syndrome, intractable malabsorption, pre-operative preparation of patients who are undernourished, patients with proven inflammatory bowel disease, following total gastrectomy, dysphagia, bowel fistulae, disease-related malnutrition, growth failure in children aged 1-6 years. Not to be prescribed for any child under one year.

SPECTRABAN 25**SPECTRABAN ULTRA**

Protection from UV radiation in abnormal cutaneous photosensitivity resulting from genetic disorders or photodermatoses, including vitiligo and those resulting from radiotherapy; chronic or recurrent herpes simplex labialis.

SPS ENERGY BAR

Disease related malnutrition, malabsorption states or other conditions requiring fortification with a fat/carbohydrate supplement.

BORDERLINE SUBSTANCES**LIST A****SUNNYVALE PRODUCTS**

See: Gluten-Free Products

SUNSENSE ULTRA (EGO)

Protection from UV radiation in abnormal cutaneous photosensitivity resulting from genetic disorders or photodermatoses, including vitiligo, and those resulting from radiotherapy; chronic or recurrent herpes simplex labialis.

SUPLENA LIQUID NUTRITION

Patients with chronic or acute renal failure who are not undergoing dialysis; patients with chronic or acute liver disease with fluid restriction; other conditions requiring a high energy, low protein, low electrolyte, low volume enteral feed.

SURVIMED OPD

As a necessary nutritional supplement prescribed on medical grounds for:

Short bowel syndrome, intractable malabsorption, pre-operative preparation of patients who are undernourished, patients with proven inflammatory bowel disease, following total gastrectomy, dysphagia, bowel fistulae, disease-related malnutrition and/or growth failure. Not to be prescribed for any child under one year; use with caution for young children up to five years of age.

TENTRINI**TENTRINI ENERGY**

As indicated for:-

Short bowel syndrome, intractable malabsorption, pre operative preparation of undernourished patients, inflammatory bowel disease, total gastrectomy, bowel fistulae, dysphagia, disease related malnutrition and growth failure.

TENTRINI ENERGY MULTI FIBRE**TENTRINI MULTI FIBRE**

As indicated for:-

Short bowel syndrome, intractable malabsorption, pre operative preparation of undernourished patients, inflammatory bowel disease, total gastrectomy, dysphagia, disease related malnutrition and growth failure.

THICK AND EASY**THICK AND EASY DAIRY****THIXO-D**

Thickening of foods in dysphagia. Not to be prescribed for children under one year old except in cases of failure to thrive.

THIXO-D LOW-CAL

Thickening feeds in the treatment of vomiting and dysphagia.

TRITAMYL PRODUCTS

See: Gluten-Free Products

ULTRA GLUTEN-FREE AND LOW-PROTEIN PRODUCTS

See: Gluten-Free and Low-Protein Products

UVISTAT SUNBLOCK CREAM FACTOR 20**UVISTAT ULTRABLOCK SUNCREAM FACTOR 30**

Protection from UV radiation in abnormal cutaneous photosensitivity resulting from genetic disorders or photodermatoses, including vitiligo and those resulting from radiotherapy; chronic or recurrent herpes simplex labialis.

VALPIFORM GLUTEN-FREE AND LOW-PROTEIN PRODUCTS

See: Gluten-Free and Low-Protein Products

VASELINE DERMACARE LOTION**VASELINE DERMACARE CREAM**

Endogenous and exogenous eczema, xeroderma, ichthyosis and senile pruritis associated with dry skin.

BORDERLINE SUBSTANCES

LIST A

VEIL COVER CREAM

VEIL FINISHING POWDER
See: Covering Creams

VITA-BITE

Inherited metabolic disorders, renal or liver failure requiring a low protein diet. Not recommended for any child under one year of age.

VITAFLO FLAVOUR PAC

Specifically designed to use in conjunction with Vitaflo's Inborn Error range of protein substitutes.

VITAFLO - HCU EXPRESS

A nutritional supplement designed for patients with Homocystinuria (HCU); this is a Methionine-free powder protein substitute approved for patients over 8 years old.

VITAFLO HCU GEL

A methionine free protein substitute for use in the dietary management of homocystinuria in children between the ages 12 months and 10 years of age.

VITAFLO - MSUD EXPRESS

This is a protein substitute for maple syrup urine disease in children over the age of 8.

VITAFLO - TYR GEL

A Tyrosine and Phenylalanine free protein substitute for use in the dietary management of Tyrosinaemia, approved for patients between the ages 12 months and 10 years.

VITAFLO - ISOLEUCINE AMINO ACID SUPPLEMENT

VITAFLO - VALINE AMINO ACID SUPPLEMENT

Supplements for maple syrup urine disease.

VITAMIN & MINERAL PREPARATIONS

Only in the management of actual or potential vitamin or mineral deficiency; not to be prescribed as dietary supplements or "pick-me-ups".

VITAJOULE

Disease related malnutrition, malabsorption states or other conditions requiring fortification with a high or readily available carbohydrate supplement.

VITAPRO

Biochemically proven hypoproteinaemia.

VITAQUICK

Thickening of foods in dysphagia. Not to be prescribed for children under one year old except in cases of failure to thrive.

VITASAVOURY

Disease-related malnutrition, malabsorption states or other conditions requiring fortification with a fat/carbohydrate supplement. Not to be prescribed for any child under one year; use with caution for young children up to five years of age.

WYSOY

Proven lactose and associated sucrose intolerance in pre-school children, galactokinase deficiency, galactosaemia and proven whole cows milk sensitivity.

XLEU ANALOG

XLEU FALADON (formerly LEUCINE - FREE AMINO ACID MIX)

XLEU MAXAMAID

Isovaleric acidaemia

XLYS MAXAMAID

Hyperlysinaemia

XLYS, TRY LOW ANALOG

Type 1 glutaric aciduria

BORDERLINE SUBSTANCES

LIST A

- XLYS LOW TRY MAXAMAID
Glutaric aciduria
- XMET HOMIDON (formerly METHIONINE-FREE AMINO ACID MIX)
Homocystinuria or hypermethioninaemia
- XMET MAXAMAID
- XMET MAXAMUM
Hypermethioninaemia, homocystinuria
- XMET, THRE, VAL, ISOLEU MAXAMAID
- XMET, THRE, VAL, ISOLEU MAXAMUM
Methylmalonic acidaemia and propionic acidaemia
- XMTVI ASADON (formerly METHIONINE, THREONINE, VALINE-FREE AND ISOLEUCINE-LOW AMINO ACID MIX)
Methylmalonic acidaemia or propionic acidaemia
- XP MAXAMAID & XP MAXAMAID ORANGE
- XP MAXAMAID CONCENTRATE
Phenylketonuria
- XP MAXAMUM (ORANGE AND UNFLAVOURED)
Phenylketonuria. Not to be prescribed for children under 8 years old
Tyrosinaemia
- XPHEN, TYR MAXAMAID
- XPT TYROSIDON
Tyrosinaemia where plasma methionine levels are normal
- XPTM TYROSIDON
Tyrosinaemia type 1 where plasma levels are above normal

BORDERLINE SUBSTANCES**LIST B**

This is a cross index listing clinical conditions and the products which the ACBS has approved for the management of those conditions. It is essential to consult LIST A for more precise guidance.

LIST B**AMINO ACID METABOLIC DISORDERS AND SIMILAR PROTEIN DISORDERS**

Histidinaemia
 Homocystinuria
 Low-Protein Products
 Maple Syrup Urine Disease
 Phenylketonuria
 Synthetic Diets
 Tyrosinaemia

BIRTHMARKS

See: Disfiguring Skin Lesions

BOWEL FISTULAE

Clinutren 1.5
 Clinutren Dessert (as a supplement)
 Clinutren Fruit (as a supplement)
 Clinutren ISO
 Complan Ready-to-drink
 Elemental 028
 Elemental 028 Extra
 Elemental 028 Extra (Liquid)
 Emsogen
 Enlive Plus (as a supplement)
 Enrich
 Enrich Plus
 Ensure
 Ensure 500ml Ready to Hang (Vanilla Flavour only)
 Ensure Plus Liquid Feed (as a supplement)
 Ensure Plus Yoghurt Style (as a supplement)
 Foodlink Complete
 Formance (as a supplement)
 Forticreme (as a supplement)
 Fortifresh
 Fortijuice (as a supplement)
 Fortimel (as a supplement)
 Fortisip Bottle (as a supplement)
 Fortisip Multifibre (as a supplement)
 Fortisip Protein
 Frebini
 Frebini Energy
 Frebini Energy Drink (Strawberry and Banana Flavours)
 Frebini Energy Fibre
 Frebini Energy Fibre Drink
 Frebini Original Fibre
 Fresubin Energy
 Fresubin Energy Fibre Sip Feed
 Fresubin Energy Fibre (Neutral) Tube Feed
 Fresubin HP Energy (as a supplement)
 Fresubin Liquid and Sip Feeds
 Fresubin Protein Energy Drink (as a supplement)
 Fresubin 1000 Complete
 Fresubin 1200 Complete
 Isosource Energy

BORDERLINE SUBSTANCES**LIST B****BOWEL FISTULAE**

Isosource Fibre
 Isosource Standard
 Jevity
 Jevity 1.5kcal
 Jevity Plus
 Modulen IBD
 Novasource Forte
 Novasource GI Control
 Nutrini
 Nutrini Energy
 Nutrini Multifibre
 Nutrison Energy (as a supplement)
 Nutrison Energy Multifibre
 Nutrison MCT (as a supplement)
 Nutrison Multifibre
 Nutrison Standard
 Osmolite
 Osmolite Plus
 Paediasure
 Paediasure Plus
 Paediasure with Fibre
 Paediasure Plus with Fibre
 Peptamen
 Peptisorb
 Perative (as a supplement)
 ProSure 500ml Ready to Hang
 Provide Xtra (as a supplement)
 Resource Benefiber (as a supplement)
 Resource Energy Dessert (as a supplement)
 Resource Protein Extra (as a supplement)
 Resource Shake Nutritional Supplement
 Sondalis 1.5 Liquid Feed
 Sondalis Fibre Liquid Feed
 Sondalis Iso Liquid Feed
 Sondalis Junior
 Survimed OPD (as a supplement)
 Tentrini
 Tentrini Energy

CALCIUM INTOLERANCE

Locasol

CARBOHYDRATE MALABSORPTION

for definition of lactose or sucrose intolerance, see page 423

Calogen

Pro-Cal

QuickCal

Vitasavoury

See: Synthetic Diets

Malabsorption States

XV

This is a cross index listing clinical conditions and the products which the ACBS has approved for the management of those conditions. It is essential to consult LIST A for more precise guidance.

BORDERLINE SUBSTANCES**LIST B****CARBOHYDRATE MALABSORPTION**

- a) Disaccharide intolerance (without isomaltose intolerance)
 Caloreen
 Duocal (Liquid and Super Soluble)
 Maxijul LE
 Maxijul Liquid
 Maxijul Super Soluble
 Nutramigen 1
 Nutramigen 2
 Nutrison Soya
 Pepdite
 Pepdite 1+
 Pepti-Junior
 Polycal (Liquid & Powder)
 Polydose Powder
 Pregestimil
 Prejomin
 Pro-Cal
 QuickCal
 Vitajoule
 Vitasavoury
 See: Lactose intolerance
 Lactose with associated sucrose intolerance
- b) Isomaltose intolerance
 Glucose
- c) Glucose + galactose intolerance
 Comminuted Chicken Meat (SHS)
 Fructose
 Galactomin 19 (Fructose Formula)
- d) Lactose intolerance
 Colief
 Comminuted Chicken Meat (SHS)
 Enfamil Lacto free
 Farley's Soya Formula
 Galactomin 17
 Infasoy
 Isomil Powder
 Nutramigen 1
 Nutrison Soya
 Pepdite
 Pepdite 1+
 Pepdite 1+ (Banana Flavour)
 Pregestimil
 Prejomin
 Prosobee liquid and powder
 SMA LF
 Wysoy

This is a cross index listing clinical conditions and the products which the ACBS has approved for the management of those conditions. It is essential to consult LIST A for more precise guidance.

BORDERLINE SUBSTANCES**LIST B****CARBOHYDRATE MALABSORPTION**

- e) Lactose with associated sucrose intolerance
 Comminuted Chicken Meat (SHS)
 Farley's Soya Formula
 Galactomin 17
 Infasoy
 Nutramigen 1
 Nutrison Soya
 Pepti-Junior
 Pregestimil
 Prejomin
 Prosobee liquid and powder
 Wysoy
- f) Sucrose intolerance
 Glucose (dextrose)
 See: Synthetic Diets
 Malabsorption
 Lactose with associated sucrose intolerance

CARNITINE PALMITOYL TRANSFERASE DEFICIENCY (CPTD)
 Monogen

COELIAC DISEASE
 See: Gluten-Sensitive Enteropathies

CONTINUOUS AMBULATORY PERITONEAL DIALYSIS (CAPD)
 See: Dialysis

CYSTIC FIBROSIS
 See: Malabsorption

DERMATITIS

Aveeno Baby Colloidal
 Aveeno Bath Oil
 Aveeno Colloidal
 Aveeno Cream
 Aveeno Lotion
 E45 Emollient Bath Oil
 E45 Emollient Wash Cream
 E45 Lotion
 Vaseline Dermacare Cream
 Vaseline Dermacare Lotion

DERMATITIS HERPETIFORMIS
 See: Gluten-Sensitive Enteropathies.

DIALYSIS

Nutritional Supplements for Haemodialysis or Continuous Ambulatory Peritoneal Dialysis (CAPD) patients.
 Clinutren Dessert
 Enrich Plus
 Ensure Plus Liquid Feed
 Ensure Plus Yoghurt Style
 Formance
 Forticreme
 Fresubin HP Energy

XV

This is a cross index listing clinical conditions and the products which the ACBS has approved for the management of those conditions. It is essential to consult LIST A for more precise guidance.

BORDERLINE SUBSTANCES**LIST B****DIALYSIS**

Fresubin Protein Energy Drink
 Kindergen
 Nepro
 Renapro
 Resource Energy Dessert
 Suplena

DISACCHARIDE INTOLERANCE

See: Carbohydrate malabsorption

DISFIGURING SKIN LESIONS (BIRTHMARKS, MUTILATING LESIONS, AND SCARS)

Covermark Classic Foundation
 Covermark Finishing Powder
 Dermablend Cover Creme
 Dermablend Leg and Body Cover
 Dermablend Setting Powder
 Dermacolor Camouflage Cream
 Dermacolor Fixing Powder
 Keromask Finishing Powder
 Keromask Masking Cream
 Veil Cover Cream
 Veil Finishing Powder

DYSPHAGIA

for definition, see page 423

Clinutren 1.5
 Clinutren Dessert (as a supplement)
 Clinutren Fruit (as a supplement)
 Clinutren ISO
 Clinutren Thickened Drinks
 Clinutren Thickener
 Complan Ready-to-drink
 Enfamil AR
 Enlive Plus (as a supplement)
 Enrich
 Enrich Plus
 Ensure
 Ensure 500ml Ready to Hang (Vanilla Flavour only)
 Ensure Plus Liquid Feed (as a supplement)
 Ensure Plus Yoghurt Style (as a supplement)
 Foodlink Complete
 Formance (as a supplement)
 Forticreme (as a supplement)
 Fortifresh
 Fortijuice (as a supplement)
 Fortimel (as a supplement)
 Fortisip Bottle (as a supplement)
 Fortisip Multifibre (as a supplement)
 Fortisip Protein
 Frebini
 Frebini Energy
 Frebini Energy Drink (Strawberry and Banana Flavours)
 Frebini Energy Fibre
 Frebini Energy Fibre Drink
 Frebini Original Fibre
 Fresubin Energy

This is a cross index listing clinical conditions and the products which the ACBS has approved for the management of those conditions. It is essential to consult LIST A for more precise guidance.

BORDERLINE SUBSTANCES**LIST B****DYSPHAGIA**

Fresubin Energy Fibre Sip Feed
 Fresubin Energy Fibre (Neutral) Tube Feed
 Fresubin HP Energy (as a supplement)
 Fresubin Isofibre
 Fresubin Liquid and Sip Feeds
 Fresubin Protein Energy Drink (as a supplement)
 Fresubin 1000 Complete
 Isosource Energy
 Isosource Energy Fibre
 Isosource Fibre
 Isosource Junior
 Isosource Standard
 Jevity
 Jevity Plus
 Jevity 1.5kcal
 Modulen IBD
 Novasource Forte
 Novasource GI Control
 Nutrilis (as a thickener)
 Nutrini
 Nutrini Energy
 Nutrini Energy Multifibre
 Nutrini Low Energy Multifibre
 Nutrini Multifibre
 Nutrison Energy (as a supplement)
 Nutrison Energy Multifibre
 Nutrison MCT (as a supplement)
 Nutrison Multifibre
 Nutrison Soya
 Nutrison Standard
 Nutrison Vitaplus Multi Fibre
 Osmolite
 Osmolite Plus
 Paediasure
 Paediasure Plus
 Paediasure Plus with Fibre
 Paediasure with Fibre
 ProSure 500ml Ready to Hang
 Provide Xtra (as a supplement)
 Resource Benefiber
 Resource Energy Dessert (as a supplement)
 Resource Junior (as a supplement)
 Resource Protein Extra (as a supplement)
 Resource Shake Nutritional Supplement
 Resource ThickenUp without Vitamins and Minerals
 Resource Thickened Squash and Resource Ready Thickened Drinks
 Sondalis 1.5 Liquid Feed
 Sondalis Fibre Liquid Feed
 Sondalis ISO Liquid Feed
 Sondalis Junior
 Survimed OPD (as a supplement)
 Tentrini
 Tentrini Energy
 Tentrini Energy Multi Fibre
 Tentrini Multi Fibre

XV

This is a cross index listing clinical conditions and the products which the ACBS has approved for the management of those conditions. It is essential to consult LIST A for more precise guidance.

BORDERLINE SUBSTANCES**LIST B****DYSPHAGIA**

Thick and Easy (as a thickener)
 Thick and Easy Dairy
 Thixo-D (as a thickener)
 Thixo-D Low-Cal (as a thickener)
 Vitaquick (as a thickener)

ECZEMA

See: Dermatitis

EPILEPSY (KETOGENIC DIET IN)

Alembicol D
 Liquigen
 Medium-chain triglyceride oil (MCT)

FLAVOURING FOR USE WITH ANY UNFLAVOURED PRODUCT BASED ON PEPTIDES OR AMINO ACIDS

SHS Flavour Modjul
 SHS Flavour Sachet

GALACTOKINASE DEFICIENCY AND GALACTOSAEMIA

Farley's Soya Formula
 Galactomin 17
 Infasoy
 Isomil Powder
 Prosobee Liquid and Powder
 Wysoy

GASTRECTOMY (TOTAL)

Clinutren 1.5
 Clinutren Dessert (as a supplement)
 Clinutren Fruit (as a supplement)
 Clinutren ISO
 Complan Ready-to-drink
 Enlive Plus (as a supplement)
 Enrich
 Enrich Plus
 Ensure
 Ensure 500ml Ready to Hang (Vanilla Flavour only)
 Ensure Bar
 Ensure Plus Liquid Feed (as a supplement)
 Ensure Plus Yoghurt Style (as a supplement)
 Foodlink Complete
 Formance (as a supplement)
 Forticreme (as a supplement)
 Fortifresh
 Fortijuice (as a supplement)
 Fortimel (as a supplement)
 Fortisip Bottle (as a supplement)
 Fortisip Multifibre (as a supplement)
 Fortisip Protein
 Frebini
 Frebini Energy
 Frebini Energy Drink (Strawberry and Banana Flavours)
 Frebini Energy Fibre
 Frebini Energy Fibre Drink
 Frebini Original Fibre

This is a cross index listing clinical conditions and the products which the ACBS has approved for the management of those conditions. It is essential to consult LIST A for more precise guidance.

BORDERLINE SUBSTANCES**LIST B****GASTRECTOMY (TOTAL)**

Fresubin Energy
 Fresubin Energy Fibre Sip Feed
 Fresubin Energy Fibre (Neutral) Tube Feed
 Fresubin HP Energy (as a supplement)
 Fresubin Isofibre
 Fresubin Liquid and Sip Feeds
 Fresubin Protein Energy Drink (as a supplement)
 Fresubin 1000 Complete
 Fresubin 1200 Complete
 Isosource Energy
 Isosource Energy Fibre
 Isosource Fibre
 Isosource Junior
 Isosource Standard
 Jevity
 Jevity Plus
 Jevity 1.5kcal
 Modulen IBD
 Novasource Forte
 Novasource GI Control
 Nutrini Energy
 Nutrini Energy Multifibre
 Nutrini Low Energy Multifibre
 Nutrini Multifibre
 Nutrison Energy (as a supplement)
 Nutrison Energy Multifibre
 Nutrison MCT (as a supplement)
 Nutrison Multifibre
 Nutrison Soya
 Nutrison Standard
 Nutrison Vitaplus Multi Fibre
 Osmolite
 Osmolite Plus
 Perative (as a supplement)
 Provide Xtra (as a supplement)
 Resource Benefiber
 Resource Energy Dessert (as a supplement)
 Resource Junior (as a supplement)
 Resource Protein Extra (as a supplement)
 Resource Shake Nutritional Supplement
 Sondalis 1.5 Liquid Feed
 Sondalis Fibre Liquid Feed
 Sondalis ISO Liquid Feed
 Sondalis Junior
 Survimed OPD (as a supplement)
 Tentrini
 Tentrini Energy
 Tentrini Energy Multi Fibre
 Tentrini Multi Fibre

XV

This is a cross index listing clinical conditions and the products which the ACBS has approved for the management of those conditions. It is essential to consult LIST A for more precise guidance.

BORDERLINE SUBSTANCES**LIST B****GLUCOSE/GALACTOSE INTOLERANCE**

Comminuted Chicken Meat (SHS)
Galactomin 19 (Fructose Formula)
See: Carbohydrate Malabsorption

GLUTARIC ACIDURIA

XYLS, TRY Low Analog
XYLS LOW TRY Maxamaid

GLUTEN-SENSITIVE ENTEROPATHIES

Aproten gluten-free flour
Arnott's gluten-free rice cookies
Baker's Delight wheat, gluten and dairy free bread
Barkat brown rice pizza crust
Barkat gluten-free bread mix
Barkat gluten-free brown rice bread
Barkat gluten-free wheat-free multi grain bread
Barkat gluten-free white rice bread
Barkat white rice pizza crust
Bi-Aglut gluten-free biscuits
Bi-Aglut gluten-free cracker toast
Bi-Aglut gluten-free crackers
Bi-Aglut gluten-free pastas (fusilli, lasagne, macaroni, penne, spaghetti)
Dietary Specials gluten-free brown bread mix
Dietary Specials gluten-free corn bread mix
Dietary Specials gluten-free cracker bread
Dietary Specials gluten-free digestive biscuits
Dietary Specials gluten-free fibre mix
Dietary Specials gluten-free high fibre crackers
Dietary Specials gluten-free hoops tea biscuits
Dietary Specials gluten-free multigrain sliced loaf
Dietary Specials gluten-free part baked bloomer
Dietary Specials gluten-free part baked brown loaf
Dietary Specials gluten-free part baked white baguettes
Dietary Specials gluten-free part baked white buns
Dietary Specials gluten-free part baked white loaf
Dietary Specials gluten-free part baked white rolls
Dietary Specials gluten-free pasta (fusilli, penne, spaghetti)
Dietary Specials gluten-free pastry mix
Dietary Specials gluten-free pizza bases
Dietary Specials gluten-free savory biscuits
Dietary Specials gluten-free sweet biscuits
Dietary Specials gluten-free white bread mix
Dietary Specials gluten-free white cake mix
Dietary Specials gluten-free white mix
Dietary Specials gluten-free white multigrain sliced loaf
Ener-G gluten-free brown rice bread
Ener-G gluten-free brown rice pasta (lasagna, macaroni, spaghetti)
Ener-G gluten-free cookies (vanilla flavour)
Ener-G gluten-free rice loaf
Ener-G gluten-free rice pasta (cannelloni, lasagna, macaroni, shells, small shells, spaghetti, tagliatelle, vermicelli)
Ener-G gluten-free Seattle brown loaf
Ener-G gluten-free tapioca bread
Ener-G gluten-free white rice bread
Ener-G gluten-free xanthan gum

This is a cross index listing clinical conditions and the products which the ACBS has approved for the management of those conditions. It is essential to consult LIST A for more precise guidance.

BORDERLINE SUBSTANCES**LIST B****GLUTEN-SENSITIVE ENTEROPATHIES**

Gadsbys gluten-free white bread
 Gadsbys gluten-free white bread flour
 Gadsbys gluten-free white rolls
 Gadsbys gluten-free white sliced bread
 Glutafin gluten-free biscuits
 Glutafin gluten-free crackers
 Glutafin gluten-free digestive biscuits
 Glutafin gluten-free high fibre crackers
 Glutafin gluten-free pasta (lasagne, long-cut spaghetti, macaroni penne, shells, spirals, tagliatelle nests)
 Glutafin gluten-free pizza base
 Glutafin gluten-free savoury biscuits
 Glutafin gluten-free savoury shorts
 Glutafin gluten-free sweet biscuits (without chocolate or sultanas)
 Glutafin gluten-free tea biscuits
 Glutafin gluten-free wheat-free fibre loaf (sliced and unsliced)
 Glutafin gluten-free wheat-free fibre mix
 Glutafin gluten-free wheat-free fibre rolls
 Glutafin gluten-free wheat-free white loaf (sliced and unsliced)
 Glutafin gluten-free wheat-free white mix
 Glutafin gluten-free wheat-free white rolls
 Glutafin gluten-free white bread (canned) with added soya bran
 Glutafin Select gluten-free bread mix
 Glutafin Select gluten-free cake mix
 Glutafin Select gluten-free fibre bread mix
 Glutafin Select gluten-free fibre loaf (sliced and unsliced)
 Glutafin Select gluten-free fibre mix
 Glutafin Select gluten-free fibre rolls
 Glutafin Select gluten free fresh bread (formerly Glutafin gluten-free Fresh bread)
 Glutafin Select gluten-free part-baked fibre loaf
 Glutafin Select gluten-free part-baked fibre rolls
 Glutafin Select gluten-free part-baked long fibre rolls
 Glutafin Select gluten-free part-baked long white rolls
 Glutafin Select gluten-free part-baked white loaf
 Glutafin Select gluten-free pastry mix
 Glutafin Select gluten-free white loaf (sliced and unsliced)
 Glutafin Select gluten-free white mix
 Glutafin Select gluten-free white rolls
 Glutafin Select gluten-free part-baked white rolls
 Glutafin Select gluten-free seeded loaf
 Glutano gluten-free biscuits
 Glutano gluten-free crackers
 Glutano gluten-free crispbread
 Glutano gluten-free flour mix
 Glutano gluten-free par-baked (baguette, rolls, white sliced bread)
 Glutano gluten-free pasta (animal shapes, macaroni, spaghetti, spirals, tagliatelle)
 Glutano gluten-free shortcake rings
 Glutano gluten-free wheat-free digestive biscuit
 Glutano gluten-free wholemeal bread (sliced)
 Glutano gluten-free wholemeal par-baked bread
 Gratis gluten-free pasta (alphabets, macaroni, shells, short cut spaghetti, spirals)
 Heron Foods Organic gluten-free bread mix
 Heron Foods Organic gluten-free hi-fibre bread mix
 Juvela gluten-free bread rolls
 Juvela gluten-free crispbread

XV

This is a cross index listing clinical conditions and the products which the ACBS has approved for the management of those conditions. It is essential to consult LIST A for more precise guidance.

BORDERLINE SUBSTANCES**LIST B****GLUTEN-SENSITIVE ENTEROPATHIES**

Juvela gluten-free digestive biscuits
 Juvela gluten-free fibre bread rolls
 Juvela gluten-free fibre loaf (sliced and unsliced)
 Juvela gluten-free fibre mix
 Juvela gluten-free harvest mix
 Juvela gluten-free lasagne
 Juvela gluten-free loaf (sliced and unsliced)
 Juvela gluten-free mix
 Juvela gluten-free part-baked bread rolls
 Juvela gluten-free part-baked fibre bread rolls
 Juvela gluten-free part-baked fibre loaf
 Juvela gluten-free part-baked loaf
 Juvela gluten-free pasta (fusilli, lasagne, macaroni, spaghetti)
 Juvela gluten-free pizza base
 Juvela gluten-free savoury biscuits
 Juvela gluten-free sweet biscuits
 Juvela gluten-free tea biscuits
 Lifestyle gluten-free bread rolls
 Lifestyle gluten-free brown bread
 Lifestyle gluten-free high fibre bread
 Lifestyle gluten-free high fibre bread rolls
 Lifestyle gluten-free white bread
 Liga gluten-free rusks (Jacobs)
 Mrs Leepers pasta (corn elbows, corn fettucine, corn penne, corn rotelli, corn vegetable radiatore, rice spaghetti, rice vegetable penne rigate, rice vegetable twists)
 Orgran bread mix
 Orgran gluten-free buckwheat spirals pasta
 Orgran gluten-free corn lasagne, corn spaghetti, corn spirals pasta
 Orgran gluten-free crispbread corn, crispbread rice
 Orgran gluten-free organic brown rice spirals
 Orgran gluten-free pizza & pastry mix
 Orgran gluten-free rice spaghetti, rice spirals
 Orgran gluten-free rice and millet spirals
 Orgran gluten-free ris o'mais (rice and maize) lasagne, ris o'mais spaghetti, ris o'mais spirals
 Orgran gluten-free split pea & soya pasta shells
 Orgran ris 'o' mais macaroni
 Orgran self-raising flour
 Pleniday gluten-free bread (sliced country loaf, petit pain (par baked), rustic loaf sliced)
 Pleniday gluten-free pasta (conchigli, penne, rigate, tagliatelli)
 Pleniday sesame rolls
 Polial gluten-free biscuits
 Pure gluten-free blended flour
 Pure xanthan gum
 Rite-Diet gluten-free fibre mix
 Rite-Diet gluten-free fibre rolls
 Rite-Diet gluten-free fibre bread (sliced and unsliced)
 Rite-Diet gluten-free white bread (sliced and unsliced)
 Rite-Diet gluten-free white mix
 Rite-Diet gluten-free white rolls
 Rite-Diet gluten-free part-baked fibre loaf
 Rite-Diet gluten-free 2 part-baked long fibre rolls
 Rite-Diet gluten-free 2 part-baked long white rolls
 Rite-Diet gluten-free part-baked white loaf
 Sarahvee gluten-free mix
 Sarahvee xanthan gum

This is a cross index listing clinical conditions and the products which the ACBS has approved for the management of those conditions. It is essential to consult LIST A for more precise guidance.

BORDERLINE SUBSTANCES**LIST B****GLUTEN-SENSITIVE ENTEROPATHIES**

Schar gluten-free biscuits
 Schar gluten-free bread
 Schar gluten-free bread mix
 Schar gluten-free bread rolls
 Schar gluten-free brown bread ertha
 Schar gluten-free cake mix
 Schar gluten-free crackers
 Schar gluten-free cracker toast
 Schar gluten-free crispbread
 Schar gluten-free flour mix for cooking
 Schar gluten-free french bread (baguette)
 Schar gluten-free frollini tea biscuits
 Schar gluten-free grissini breadsticks
 Schar gluten-free pasta (alphabet pasta,bavette, fusilli, lasagne, macaroni, penne, spaghetti)
 Schar gluten-free pizza base
 Schar gluten-free savoy biscuits
 Schar gluten-free wheat-free biscottini
 Schar gluten-free wheat-free bread buns (white)
 Schar gluten-free wheat-free lunch rolls
 Schar gluten-free white bread
 Schar gluten-free wholemeal bread
 Schar gluten-free wholemeal flour mix
 Sunnyvale gluten-free mixed grain sourdough bread
 Tritamyl gluten-free brown bread mix
 Tritamyl gluten-free flour
 Tritamyl gluten-free white bread mix
 Ultra gluten-free baguette
 Ultra gluten-free bread
 Ultra gluten-free bread rolls
 Ultra gluten-free crackerbread
 Ultra gluten-free high fibre bread
 Ultra gluten-free pasta (tagliatelle, spaghetti, penne, fusili)
 Ultra gluten-free pizza base
 Ultra gluten-free sweet biscuits
 Valpiform gluten-free and wheat free pastry mix
 Valpiform gluten-free bread mix
 Valpiform gluten-free country loaf
 Valpiform gluten-free crac'form toast
 Valpiform gluten-free crisp rolls
 Valpiform gluten-free maxi baguettes
 Valpiform gluten-free pastry mix
 Valpiform gluten-free petites baguettes

XV**GLUTEN-SENSITIVE ENTEROPATHIES WITH COEXISTING ESTABLISHED WHEAT SENSITIVITY**

Ener-G gluten-free pizza bases
 Ener-G gluten-free Seattle brown rolls (hamburgers)
 Ener-G gluten-free Seattle brown rolls (hot dogs)
 Ener-G gluten-free six flour loaf
 Glutain Crisp Bread
 Glutafin Crisp Roll
 Glutafin gluten-free wheat-free bread mix
 Glutafin gluten-free wheat-free cake mix
 Glutafin gluten-free wheat-free fibre bread mix
 Glutafin gluten-free wheat-free pastry mix
 Heron Foods Organic gluten-free wheat-free bread/cake mix

This is a cross index listing clinical conditions and the products which the ACBS has approved for the management of those conditions. It is essential to consult LIST A for more precise guidance.

BORDERLINE SUBSTANCES

LIST B

GLUTEN-SENSITIVE ENTEROPATHIES WITH COEXISTING ESTABLISHED WHEAT SENSITIVITY

Heron Foods Organic gluten-free wheat-free hi-fibre bread mix
Proceli brown rice bread
Proceli pizza bases
Proceli sliced white bread

GLYCOGEN STORAGE DISEASE

Caloreen
Corn Flour or Corn Starch
Dextrose
Glucose
Maxijul LE
Maxijul Liquid (Orange flavour only)
Maxijul Super Soluble
Polycal (Liquid & Powder)
Polydose Powder
Pro-Cal
QuickCal
Vitajoule
Vitasavoury

GROWTH FAILURE (DISEASE RELATED)

Fortini
Fortini Multi Fibre
Frebini
Frebini Energy
Frebini Energy Drink (Strawberry and Banana Flavours)
Frebini Energy Fibre
Frebini Energy Fibre Drink
Frebini Original Fibre
Nutrini
Nutrini Energy
Nutrini Energy Multifibre
Nutrini Low Energy Multifibre
Nutrini Multifibre
Paediasure
Paediasure Plus
Paediasure Plus with Fibre
Paediasure with Fibre
ProSure 500ml Ready to Hang
SMA High Energy
Sondalis Junior
Survimed OPD
Tentrini
Tentrini Energy
Tentrini Energy Multi Fibre
Tentrini Multi Fibre

HAEMODIALYSIS

See: Dialysis

HISTIDINAEMIA

See: Low-Protein Products
Synthetic Diets

This is a cross index listing clinical conditions and the products which the ACBS has approved for the management of those conditions. It is essential to consult LIST A for more precise guidance.

BORDERLINE SUBSTANCES**LIST B****HOMOCYSTINURIA**

Analog RVHB
 Vitaflo Flavour Pac
 Vitaflo HCU Express
 Vitaflo HCU Gel
 XMET Homidon
 XMET Maxamaid
 XMET Maxamum

See: Low-Protein Products
 Synthetic Diets

HYPERLIPOPROTEINAEMIA TYPE 1

Alembicol-D (MCT Oil)
 Liquigen
 Medium chain triglyceride oil

HYPERLYSINAEMIA

Analog XLYS
 XLYS Maxamaid

HYPERMETHIONINAEMIA

Analog RVHB
 XMET Homidon
 XMET Maxamaid
 XMET Maxamum

HYPOGLYCAEMIA

See: Corn Flour or Corn Starch
 Glycogen Storage Disease

HYPOPROTEINAEMIA

Casilan 90
 Dialamine
 Maxipro Super Soluble
 Maxisorb
 Pro-Mod
 Protifar
 Renapro
 Vitapro

INFLAMMATORY BOWEL DISEASE

Clinutren 1.5
 Clinutren Dessert (as a supplement)
 Clinutren Fruit (as a supplement)
 Clinutren ISO
 Complian Ready-to-drink
 Elemental 028
 Elemental 028 Extra
 Elemental 028 Extra (Liquid)
 Emsogen
 Enlive Plus (as a supplement)
 Enrich
 Enrich Plus
 Ensure
 Ensure 500ml Ready to Hang (Vanilla Flavour only)
 Ensure Bar

XV

This is a cross index listing clinical conditions and the products which the ACBS has approved for the management of those conditions. It is essential to consult LIST A for more precise guidance.

BORDERLINE SUBSTANCES**LIST B****INFLAMMATORY BOWEL DISEASE**

Ensure Plus Liquid Feed (as a supplement)
 Ensure Plus Yoghurt Style (as a supplement)
 Foodlink Complete
 Formance (as a supplement)
 Forticreme (as a supplement)
 (as a supplement)
 Fortifresh
 Fortimel (as a supplement)
 Fortisip Bottle (as a supplement)
 Fortisip Multifibre (as a supplement)
 Fortisip Protein
 Frebini
 Frebini Energy
 Frebini Energy Drink (Strawberry and Banana Flavours)
 Frebini Energy Fibre
 Frebini Energy Fibre Drink
 Frebini Original Fibre
 Fresubin Energy
 Fresubin Energy Fibre Sip Feed
 Fresubin Energy Fibre (Neutral) Tube Feed
 Fresubin HP Energy (as a supplement)
 Fresubin Isofibre
 Fresubin Liquid & Sip Feeds
 Fresubin Protein Energy Drink (as a supplement)
 Fresubin 1000 Complete
 Fresubin 1200 Complete
 Isosource Energy
 Isosource Energy Fibre
 Isosource Fibre
 Isosource Junior
 Isosource Standard
 Jevity
 Jevity Plus
 Jevity 1.5kcal
 Modulen IBD
 Novasource Forte
 Novasource GI Control
 Nutrini Energy
 Nutrini Multifibre
 Nutrison Energy (as a supplement)
 Nutrison Energy Multifibre
 Nutrison MCT (as a supplement)
 Nutrison Multifibre
 Nutrison Soya
 Nutrison Standard
 Nutrison Vitaplus Multi Fibre
 Osmolite
 Osmolite Plus
 Peptamen
 Peptisorb
 Perative (as a supplement)
 Provide Xtra (as a supplement)
 Resource Benefiber
 Resource Energy Dessert (as a supplement)
 Resource Junior (as a supplement)

This is a cross index listing clinical conditions and the products which the ACBS has approved for the management of those conditions. It is essential to consult LIST A for more precise guidance.

BORDERLINE SUBSTANCES**LIST B****INFLAMMATORY BOWEL DISEASE**

Resource Protein Extra (as a supplement)
 Resource Shake Nutritional Supplement
 Sondalis 1.5 Liquid Feed
 Sondalis Fibre Liquid Feed
 Sondalis ISO Liquid Feed
 Sondalis Junior
 Survimed OPD (as a supplement)
 Tentrini
 Tentrini Energy
 Tentrini Energy Multi Fibre
 Tentrini Multi Fibre

INTESTINAL LYMPHANGIECTASIA**INTESTINAL SURGERY**

See: Malabsorption

ISOMALTOSE INTOLERANCE

See: Carbohydrate Malabsorption

ISOVALERIC ACIDAEMIA

XLEU Analog
 XLEU Faladon
 XLEU Maxamaid

LACTOSE INTOLERANCE

See: Carbohydrate Malabsorption

LIPOPROTEIN LIPASE DEFICIENCY (PRIMARY AND SECONDARY)

Monogen

LIVER FAILURE

Aglutella low-protein rice
 Alembicol D
 Aminex low-protein biscuits
 Aminex low-protein cookies
 Aminex low-protein rusks
 Aproten low-protein biscuits
 Aproten low-protein bread mix
 Aproten low-protein cake mix
 Aproten low-protein crispbread
 Aproten low-protein pasta (anellini, ditalini, rigatini, spaghetti, tagliatelle)
 Ener-G low-protein egg replacer
 Ener-G low-protein pasta (lasagne, macaroni, large shells, small shells, spaghetti)
 Ener-G low-protein rice bread
 Fate low-protein all-purpose mix
 Fate low-protein cake mix
 Fate low-protein chocolate flavour cake mix
 Generaid
 Generaid Plus
 Harifen white chip cookies
 Juvella low-protein bread rolls
 Juvella low-protein chocolate chip, orange and cinnamon flavour cookies
 Juvella low-protein loaf
 Juvella low-protein mix
 Juvella low-protein pizza base
 Liquigen
 Loprofin low-protein breakfast cereal

XV

This is a cross index listing clinical conditions and the products which the ACBS has approved for the management of those conditions. It is essential to consult LIST A for more precise guidance.

BORDERLINE SUBSTANCES**LIST B****LIVER FAILURE**

Loprofin low-protein chocolate flavour cream biscuits
 Loprofin low-protein chocolate, orange and vanilla flavour cream wafers
 Loprofin low-protein cinnamon and chocolate chip cookies
 Loprofin low-protein crackers
 Loprofin low-protein egg replacer
 Loprofin low-protein egg white replacer
 Loprofin low-protein fibre bread (sliced and unsliced)
 Loprofin low-protein loaf (sliced and unsliced)
 Loprofin low-protein mix
 Loprofin low-protein part baked rolls
 Loprofin low-protein pasta (long-cut spaghetti, macaroni penne, spirals, vermicelli, lasagne)
 Loprofin low-protein sweet biscuits
 Loprofin low-protein white rolls
 Medium chain triglyceride (MCT) oil
 Nepro
 Promin low-protein pasta (alphabets, macaroni, shells, short cut spaghetti, spirals)
 Promin low-protein pastameal
 Promin low-protein tricolour pasta (alphabets, shells and spirals)
 Rite-Diet low-protein baking mix
 Rite-Diet low-protein flour mix
 Suplena
 Ultra low-protein canned brown bread
 Ultra low-protein canned white bread
 Ultra PKU biscuits
 Ultra PKU bread
 Ultra PKU cookies
 Ultra PKU flour mix
 Ultra PKU pizza base
 Ultra PKU savoy biscuits
 Valpiform low-protein cookies with chocolate nuggets and hazelnut flavour
 Valpiform low-protein shortbread biscuits
 Vita-Bite

LONG CHAIN ACYL-COA DEHYDROGENASE DEFICIENCY (LCAD)

Monogen

LOW-PROTEIN PRODUCTS

Aglutella low-protein rice
 Aprotin low-protein biscuits
 Aprotin low-protein bread mix
 Aprotin low-protein crispbread
 Aprotin low-protein pasta (anellini, ditalini, rigatini, spaghetti, tagliatelle)
 Ener-G low-protein egg replacer
 Ener-G low-protein pasta (lasagne, macaroni, large shells, small shells, spaghetti)
 Ener-G low-protein rice bread
 Fate low-protein all-purpose mix
 Fate low-protein cake mix
 Fate low-protein chocolate flavour cake mix
 Harifen low protein cracker toast
 Harifen white chip cookies
 Juvela low-protein bread rolls
 Juvela low-protein chocolate chip, orange and cinnamon flavour cookies
 Juvela low-protein loaf
 Juvela low-protein mix

This is a cross index listing clinical conditions and the products which the ACBS has approved for the management of those conditions. It is essential to consult LIST A for more precise guidance.

BORDERLINE SUBSTANCES**LIST B****LOW-PROTEIN PRODUCTS**

Juvela low-protein pizza base
 Loprofin low-protein breakfast cereal
 Loprofin low-protein chocolate flavour cream biscuits
 Loprofin low-protein chocolate, orange and vanilla flavour cream wafers
 Loprofin low-protein cinnamon and chocolate chip cookies
 Loprofin low-protein crackers
 Loprofin low-protein egg replacer
 Loprofin low-protein egg white replacer
 Loprofin low-protein fibre bread (sliced and unsliced)
 Loprofin low-protein herb crackers
 Loprofin low-protein loaf (sliced and unsliced)
 Loprofin low-protein mix
 Loprofin low-protein part baked rolls
 Loprofin low-protein pasta (long-cut spaghetti, macaroni penne, spirals, vermicelli, lasagne)
 Loprofin low-protein snack pot
 Loprofin low-protein sweet biscuits
 Loprofin low-protein white bread rolls
 Milupa low-protein drink
 PK Foods Aminex low-protein biscuits
 PK Foods Aminex low-protein cookies
 PK Foods Aminex low-protein rusks
 PK Foods low-protein crispbread
 PK Foods low-protein pasta spirals
 PK Foods low-protein white sliced bread
 PKU-Gel
 Promin low-protein imitation rice
 Promin low-protein pasta (alphabets, macaroni, shells, short cut spaghetti, spirals)
 Promin low-protein pastameal
 Promin low-protein tricolour pasta (alphabets, shells, spirals)
 Rite-Diet low-protein baking mix
 Rite-Diet low-protein flour mix
 Ultra low-protein canned brown bread
 Ultra low-protein canned white bread
 Ultra PKU biscuits
 Ultra PKU bread
 Ultra PKU cookies
 Ultra PKU flour mix
 Ultra PKU pizza base
 Ultra PKU savoy biscuits
 Valpiform low-protein cookies with chocolate nuggets and hazelnut flavour
 Valpiform low-protein savory bites (herbs flavour)
 Valpiform low-protein savory bites (tomato flavour)
 Valpiform low-protein shortbread biscuits
 Vita-Bite

XV

Inherited metabolic disorders, renal or liver failure requiring a low-protein diet.

MALABSORPTION STATES

(See also: gluten-sensitive enteropathies, liver failure, carbohydrate malabsorption, intestinal lymphangiectasia, milk intolerance and synthetic diets)

- a) Protein sources
 Caprilon
 Comminuted Chicken Meat (SHS)
 Duocal (Liquid & Super Soluble)
 Maxipro Super Soluble

This is a cross index listing clinical conditions and the products which the ACBS has approved for the management of those conditions. It is essential to consult LIST A for more precise guidance.

BORDERLINE SUBSTANCES**LIST B****MALABSORPTION STATES**

- Maxisorb
MCT Pepdite
MCT Pepdite 1+
Neocate
Neocate Advance (Unflavoured, banana vanilla flavour and strawberry vanilla flavour)
Pepdite
Pepdite 1+
Pepdite 1 + (Banana Flavour)
- b) Fat sources
Alembicol D
Calogen
Calogen Banana
Calogen Butterscotch
Calogen Strawberry
Caprilon
Liquigen
MCT Pepdite
MCT Pepdite 1+
Medium chain triglyceride oil
Pro-Cal
QuickCal
Vitasavoury
- c) Carbohydrate sources
Caloreen
Calsip
Maxijul LE
Maxijul Liquid
Maxijul Super Soluble
Novasource GI Control
Novasource GI Forte
Nutrini Energy
Nutrini Multifibre
Polycal (Liquid & Powder)
Polycose Powder
Pro-Cal
QuickCal
Resource Benefiber
Vitajoule
Vitasavoury
- d) Fat/Carbohydrate sources
Calshake
Duobar (strawberry, toffee, neutral)
Duocal (Liquid, MCT Powder & Super Soluble)
Scandishake Mix Flavoured and Unflavoured
SPS Energy Bar
- e) Complete Feeds
For use as the sole source of nutrition or as necessary nutritional supplements prescribed on medical grounds
- Caprilon
Clinutren 1.5
Clinutren ISO

This is a cross index listing clinical conditions and the products which the ACBS has approved for the management of those conditions. It is essential to consult LIST A for more precise guidance.

BORDERLINE SUBSTANCES**LIST B****MALABSORPTION STATES**

Complan Ready-to-drink
 Elemental 028
 Elemental 028 Extra
 Elemental 028 Extra (Liquid)
 Emsogen
 Enrich
 Ensure
 Ensure 500ml Ready to Hang (Vanilla Flavour only)
 Foodlink Complete
 Fortifresh
 Frebini
 Frebini Energy
 Frebini Energy Drink (Strawberry and Banana Flavours)
 Frebini Energy Fibre
 Frebini Energy Fibre Drink
 Frebini Original Fibre
 Fresubin Energy
 Fresubin Energy Fibre Sip Feed
 Fresubin Energy Fibre (Neutral) Tube Feed
 Fresubin Isofibre
 Fresubin Liquid and Sip Feeds
 Fresubin 1000 Complete
 Fresubin 1200 Complete
 Infatrini
 Isosource Energy
 Isosource Energy Fibre
 Isosource Fibre
 Isosource Standard
 Jevity
 Jevity Plus
 Jevity 1.5kcal
 MCT Pepdite
 MCT Pepdite 1+
 Modulen IBD
 Novasource Forte
 Novasource GI Control
 Nutrini
 Nutrini Energy
 Nutrini Energy Multi Fibre
 Nutrini Low Energy Multi Fibre
 Nutrini Multifibre
 Nutrison Energy Multifibre
 Nutrison Multifibre
 Nutrison Soya
 Nutrison Standard
 Nutrison Vitaplus Multi Fibre
 Osmolite
 Paediasure
 Paediasure with Fibre
 Paediasure Plus
 Paediasure Plus with Fibre
 Pepdite
 Pepdite 1+
 Pepdite 1+ (Banana Flavour)
 Peptamen

XV

This is a cross index listing clinical conditions and the products which the ACBS has approved for the management of those conditions. It is essential to consult LIST A for more precise guidance.

BORDERLINE SUBSTANCES**LIST B****MALABSORPTION STATES**

Pepti - Junior
 Peptisorb
 Pregestimil
 ProSure 500ml Ready to Hang
 Reabilan
 SMA High Energy
 Sondalis 1.5 Liquid Feed
 Sondalis Fibre Liquid Feed
 Sondalis ISO Liquid Feed
 Sondalis Junior
 Tentrini
 Tentrini Energy
 Tentrini Energy Multi Fibre
 Tentrini Multi Fibre

- f) Nutritional supplements
 Necessary nutritional supplements prescribed on medical grounds (products should be labelled to state that they are to be taken under dietetic supervision and that a maximum of x mls containing 80g protein (approximately y cans/packs) may be taken per day)
 Clinutren Dessert
 Clinutren Fruit
 Enlive Plus
 Enrich Plus
 Ensure Bar
 Ensure Plus Liquid Feed
 Ensure Plus Yoghurt Style
 Formance
 Forticreme
 Fortijuice
 Fortimel
 Fortisip Bottle
 Fortisip Multifibre
 Fortisip Protein
 Fresubin HP Energy
 Fresubin Protein Energy Drink
 Nutrison Energy
 Nutrison MCT
 Perative
 Provide Xtra
 Resource Benefiber
 Resource Shake Nutritional Supplement
 Survimed OPD
- g) Minerals
 Aminogran Mineral Mixture
 Metabolic Mineral Mixture
- h) Vitamins - as appropriate
 See: Synthetic Diets
- i) Vitamins and Minerals
 Energivit
 Paediatric Seravit

This is a cross index listing clinical conditions and the products which the ACBS has approved for the management of those conditions. It is essential to consult LIST A for more precise guidance.

BORDERLINE SUBSTANCES**LIST B****MALNUTRITION (DISEASE RELATED)**

Calogen
 Calogen Banana
 Calogen Butterscotch
 Calogen Strawberry
 Caloreen
 Calshake
 Calsip
 Clinutren 1.5
 Clinutren Dessert (as a supplement)
 Clinutren Fruit (as a supplement)
 Clinutren ISO
 Complan Ready-to-drink
 Duobar (strawberry, toffee, neutral)
 Duocal (Liquid, MCT Powder & Super Soluble)
 Enlive Plus (as a supplement)
 Enrich
 Enrich Plus
 Ensure
 Ensure 500ml Ready to Hang (Vanilla Flavour only)
 Ensure Bar
 Ensure Plus Liquid Feed (as a supplement)
 Ensure Plus Yoghurt Style (as a supplement)
 Foodlink Complete
 Formance (as a supplement)
 Forticreme (as a supplement)
 Fortifresh
 Fortijuice (as a supplement)
 Fortimel (as a supplement)
 Fortini (as a supplement)
 Fortini Multi Fibre (as a supplement)
 Fortisip Bottle (as a supplement)
 Fortisip Multifibre (as a supplement)
 Fortisip Protein
 Frebini
 Frebini Energy
 Frebini Energy Drink (Strawberry and Banana Flavours)
 Frebini Energy Fibre
 Frebini Energy Fibre Drink
 Frebini Original Fibre
 Fresubin Energy
 Fresubin Energy Fibre Sip Feed
 Fresubin Energy Fibre (Neutral) Tube Feed
 Fresubin HP Energy (as a supplement)
 Fresubin Isofibre
 Fresubin Liquid & Sip Feeds
 Fresubin Protein Energy Drink (as a supplement)
 Fresubin 1000 Complete
 Fresubin 1200 Complete
 Infatrini
 Isosource Energy
 Isosource Energy Fibre
 Isosource Fibre
 Isosource Junior
 Isosource Standard
 Jevity

XV

This is a cross index listing clinical conditions and the products which the ACBS has approved for the management of those conditions. It is essential to consult LIST A for more precise guidance.

BORDERLINE SUBSTANCES**LIST B****MALNUTRITION (DISEASE RELATED)**

Jevity Plus
 Jevity 1.5kcal
 Maxijul LE
 Maxijul Liquid
 Maxijul Super Soluble
 Modulen IBD
 Novasource Forte
 Novasource GI Control
 Nutrini
 Nutrini Energy
 Nutrini Energy Multifibre
 Nutrini Low Energy Multifibre
 Nutrini Multifibre
 Nutrison Energy (as a supplement)
 Nutrison Energy Multifibre
 Nutrison MCT (as a supplement)
 Nutrison Multifibre
 Nutrison Soya
 Nutrison Standard
 Nutrison Vitaplus Multi Fibre
 Osmolite
 Osmolite Plus
 Paediasure
 Paediasure Plus
 Paediasure Plus with Fibre
 Paediasure with Fibre
 Perative (as a supplement)
 Polycal (Liquid & Powder)
 Polycose Powder
 Pro-Cal
 ProSure 500ml Ready to Hang
 Provide Xtra (as a supplement)
 QuickCal
 Resource Benefiber
 Resource Energy Dessert (as a supplement)
 Resource Fruit Flavour Drink
 Resource Junior (as a supplement)
 Resource Protein Extra (as a supplement)
 Resource Shake Nutritional Supplement
 Scandishake Mix Flavoured and Unflavoured
 SMA High Energy
 Sondalis 1.5 Liquid Feed
 Sondalis Fibre Liquid Feed
 Sondalis ISO Liquid Feed
 Sondalis Junior
 SPS Energy Bar
 Survimed OPD (as a supplement)
 Tentrini
 Tentrini Energy
 Tentrini Energy Multi Fibre
 Tentrini Multi Fibre
 Vitajoule
 Vitasavoury

This is a cross index listing clinical conditions and the products which the ACBS has approved for the management of those conditions. It is essential to consult LIST A for more precise guidance.

BORDERLINE SUBSTANCES**LIST B****MAPLE SYRUP URINE DISEASE**

Analog MSUD
 Mapleflex (Unflavoured)
 MSUD Aid III
 MSUD Maxamaid
 MSUD Maxamum
 Vitaflo - MSUD Express
 Vitaflo - Valine Amino Acid (as a supplement)
 Vitaflo - Isoleucine Amino Acid (as a supplement)

See: Low-Protein Products
 Synthetic Diets

METHYLMALONIC ACIDAEMIA

Analog XMET, THRE, VAL, ISOLEU
 XMET, THRE, VAL, ISOLEU Maxamaid
 XMET, THRE, VAL, ISOLEU Maxamum
 XMTVI Asadon

MILK PROTEIN SENSITIVITY

Comminuted Chicken meat (SHS)
 Farley's Soya Formula
 Infasoy
 Isomil Powder
 Nutramigen 1
 Prosobee Liquid and Powder
 Wysoy

See: Synthetic Diets.

NUTRITIONAL SUPPORT FOR ADULTS

(for precise conditions for which these products have been approved see the product listing in List A)

A Nutritionally complete feeds

For use as the sole source of nutrition or as necessary nutritional supplements prescribed on medical grounds

a) Gluten Free

Foodlink Complete
 Fortifresh
 Fresubin Energy
 Fresubin Energy Fibre Sip Feed
 Fresubin Energy Fibre (Neutral) Tube Feed
 Fresubin Liquid and Sip Feeds
 Fresubin 1000 Complete
 Fresubin 1200 Complete
 Nutrison Energy Multifibre
 Nutrison Multifibre
 Nutrison Standard
 Paediasure Plus
 Sondalis ISO Liquid Feed
 Sondalis Junior

b) Lactose and Gluten Free

Enrich
 Ensure
 Ensure 500ml Ready to Hang (Vanilla Flavour only)
 Fresubin Isofibre
 Nutrison Soya
 Osmolite
 Osmolite Plus
 Sondalis 1.5 Liquid Feed

XV

This is a cross index listing clinical conditions and the products which the ACBS has approved for the management of those conditions. It is essential to consult LIST A for more precise guidance.

BORDERLINE SUBSTANCES**LIST B****NUTRITIONAL SUPPORT FOR ADULTS**

- c) Containing Fibre
 Enrich
 Fresubin Energy Fibre Sip Feed
 Fresubin Energy Fibre (Neutral) Tube Feed
 Fresubin Isofibre
 Isosource Energy Fibre
 Isosource Fibre
 Jevity
 Jevity Plus
 Jevity 1.5kcal
 Novasource Forte
 Novasource GI Control
 Nutrini Energy
 Nutrini Energy Multifibre
 Nutrini Low Energy Multifibre
 Nutrini Multifibre
 Nutrison Energy Multifibre
 Nutrison Multifibre
 Paediasure with Fibre
 Sondalis Fibre Liquid Feed

- d) Elemental Feeds
 Elemental 028
 Elemental 028 Extra
 Elemental 028 Extra (Liquid)
 Emsogen
 Peptamen
 Peptisorb

B Nutritional Source Supplements

See: Synthetic Diets

Malabsorption States

- a) General Supplements

Necessary nutritional supplements prescribed on medical grounds for the diseases in List A (products should be labelled to state that they are to be taken under dietetic supervision and that a maximum of xmls containing 80g protein (approximately y cans/packs) may be taken per day)

Clinutren Dessert
 Clinutren Fruit
 Enlive Plus
 Enrich Plus
 Ensure Bar
 Ensure Plus Liquid Feed
 Ensure Plus Yoghurt Style
 Foodlink Complete
 Formance
 Forticreme
 Fortijuice
 Fortimel
 Fortini
 Fortini Multi Fibre
 Fortisip Bottle
 Fortisip Multifibre
 Fresubin HP Energy
 Fresubin Protein Energy Drink
 Fresubin 1000 Complete
 Fresubin 1200 Complete
 Nutrison Energy
 Nutrison MCT
 Perative

This is a cross index listing clinical conditions and the products which the ACBS has approved for the management of those conditions. It is essential to consult LIST A for more precise guidance.

BORDERLINE SUBSTANCES**LIST B****NUTRITIONAL SUPPORT FOR ADULTS**

- | | | |
|----|---|-----------------------------------|
| | Prosure | |
| | Provide Xtra | |
| | Resource Energy Dessert | |
| | Resource Junior | |
| | Resource Protein Extra | |
| | Survimed OPD | |
| b) | <u>Carbohydrates</u> | |
| | Caloreen | (Low electrolyte content) |
| | Calsip | (Low electrolyte content) |
| | Maxijul LE | (Low electrolyte content) |
| | Maxijul Liquid | |
| | Maxijul Super Soluble | |
| | Polycal (Liquid & Powder) | (Low electrolyte content) |
| | Polycose Powder | |
| | Pro-Cal | |
| | QuickCal | |
| | Resource Benefiber | |
| | Vitajoule | |
| | Vitasavoury | |
| c) | <u>Fat</u> | |
| | Alembicol D | |
| | Calogen | |
| | Calogen Banana | |
| | Calogen Butterscotch | |
| | Calogen Strawberry | |
| | Liquigen | |
| | MCT Oil | |
| d) | <u>Fat/Carbohydrate sources</u> | |
| | Calshake | |
| | Duobar (strawberry, toffee, neutral) | |
| | Duocal (Liquid, MCT Powder & Super Soluble) | (Low electrolyte content) |
| | Scandishake Mix Flavoured and Unflavoured | |
| | SPS Energy Bar | |
| e) | <u>Nitrogen Sources</u> | |
| | Casilan 90 | (Whole protein based, low sodium) |
| | Maxipro Super Soluble | |
| | Maxisorb | |
| | Pro-Mod | (Whey protein based, low sodium) |
| f) | <u>Minerals</u> | |
| | Aminogran mineral mixture | |
| | Metabolic mineral mixture | |

PHENYLKETONURIA

Aglutella low-protein rice
 Aminex low-protein biscuits
 Aminex low-protein cookies
 Aminex low-protein rusks
 Aminogran food supplement
 Aminogran mineral mixture
 Aminogran PKU tablets
 Analog XP
 Analog XP LPC
 Aprotin low-protein biscuits
 Aprotin low-protein bread mix
 Aprotin low-protein cake mix
 Aprotin low-protein crispbread

XV

This is a cross index listing clinical conditions and the products which the ACBS has approved for the management of those conditions. It is essential to consult LIST A for more precise guidance.

BORDERLINE SUBSTANCES**LIST B****PHENYLKETONURIA**

Aprotin low-protein pasta (anellini, ditalini, rigatini, spaghetti, tagliatelle)
 Easiphen
 Ener-G low-protein egg replacer
 Ener-G low-protein pasta (lasagne, macaroni, large shells, small shells, spaghetti)
 Fate low-protein potato mix
 Harifen low protein cracker toast
 Harifen white chip cookies
 Juvela low-protein bread rolls
 Juvela low-protein chocolate chip; orange and cinnamon flavour cookies
 Juvela low-protein loaf (sliced and unsliced)
 Juvela low-protein mix
 Loprofin low-protein breakfast cereal
 Loprofin low-protein chocolate flavour cream biscuits
 Loprofin low-protein chocolate, orange and vanilla flavour cream wafers
 Loprofin low-protein cinnamon and chocolate chip cookies
 Loprofin low-protein crackers
 Loprofin low-protein egg replacer
 Loprofin low-protein fibre bread (sliced and unsliced)
 Loprofin low-protein loaf (sliced and unsliced)
 Loprofin low-protein mix
 Loprofin low-protein part baked rolls
 Loprofin low-protein pasta (long-cut spaghetti, macaroni penne, spirals, vermicelli)
 Loprofin low-protein sweet biscuits
 Loprofin low-protein white rolls
 Loprofin PKU Drink
 L-Tyrosine Supplement
 Metabolic Mineral Mixture
 Minaphlex Flavoured & Unflavoured
 Phlexy-10 Exchange System (Bar, Capsules & Drink Mix)
 Phlexy-10 Tablets
 Phlexyvits
 PK Foods low-protein chocolate chip cookies
 PK Foods low-protein cinnamon cookies
 PK Foods low-protein crispbread
 PK Foods low-protein egg relpacer
 PK Foods low-protein flour mix
 PK Foods low-protein jelly mix dessert cherry flavour
 PK Foods low-protein jelly mix dessert orange flavour
 PK Foods low-protein orange cookies
 PK Foods low-protein pasta spirals
 PK Foods low-protein white sliced bread
 PK Aid 4 (formerly PK Aid III)
 PKU 2 (Milupa)
 PKU 3 (Milupa)
 PKU Express
 PKU-Gel
 Promin low-protein cous cous
 Promin low-protein lasagne sheets
 Promin low-protein pasta (alphabets, macaroni, shells, short-cut spaghetti, spirals)
 Promin low-protein pastameal
 Promin low-protein pasta in sauce (cheese and broccoli, tomato pepper and herb flavours)
 Promin low-protein tricolour pasta (alphabets, shells, spirals)
 Rite-Diet low-protein baking mix
 Rite-Diet low-protein flour mix

This is a cross index listing clinical conditions and the products which the ACBS has approved for the management of those conditions. It is essential to consult LIST A for more precise guidance.

BORDERLINE SUBSTANCES**LIST B****PHENYLKETONURIA**

Sno-Pro Drink
 Ultra low-protein canned white bread
 Ultra PKU biscuits
 Ultra PKU bread
 Ultra PKU cookies
 Ultra PKU flour mix
 Ultra PKU pizza base
 Ultra PKU savoy biscuits
 Valpiform low-protein cookies which chocolate nuggets and hazelnut flavour
 Valpiform low-protein shortbread biscuits
 XP Maxamaid
 XP Maxamaid Concentrate
 XP Maxamaid Orange
 XP Maxamum

See: Low-Protein Products
 Synthetic Diets

PHOTODERMATOSES (SKIN PROTECTION IN)

Ambre Solaire Total Screen for Sun Intolerant skin SPF 60
 Delph Sun Lotion SPF 15, SPF 20, SPF 25, SPF 30
 E45 Sun Block SPF 25, SPF 50
 RoC Total Sunblock Cream SPF25
 Spectraban 25
 Spectraban Ultra
 Sensense Ultra (Ego)
 Uvistat Sunblock Cream Factor 20
 Uvistat Ultrablock Suncream Factor 30

PROPIONIC ACIDAEMIA

Analog XMET, THRE, VAL, ISOLEU
 XMET, THRE, VAL, ISOLEU, Maxamaid
 XMET, THRE, VAL, ISOLEU, Maxamum
 XMTVI Asadon

PROTEIN INTOLERANCE

See: Amino Acid Metabolic Disorders
 Low-Protein Products
 Milk Protein Sensitivity
 Synthetic Diets
 Whole Protein Sensitivity

PRURITUS

See: Dermatitis

PSORIASIS

See: Scaling of the Scalp

REFSUM'S DISEASE

See: Fresubin Liquid and Sip Feeds

RENAL DIALYSIS

See: Dialysis

XV

This is a cross index listing clinical conditions and the products which the ACBS has approved for the management of those conditions. It is essential to consult LIST A for more precise guidance.

BORDERLINE SUBSTANCES**LIST B****RENAL FAILURE**

Aglutella low-protein rice
 Aminex low-protein biscuits
 Aminex low-protein cookies
 Aminex low-protein rusks
 Aprotin low-protein biscuits
 Aprotin low-protein bread mix
 Aprotin low-protein cake mix
 Aprotin low-protein crispbread
 Aprotin low-protein pasta (anellini, ditalini, rigatini, spaghetti, tagliatelle)
 Dialamine
 Ener-G low-protein egg replacer
 Ener-G low protein pasta (lasagne, macaroni, large shells, small shells, spaghetti)
 Ener-G low-protein rice bread
 Fate low-protein all-purpose mix
 Fate low-protein cake mix
 Fate low-protein chocolate flavour cake mix
 Juvela low-protein bread rolls
 Juvela low-protein chocolate chip, orange and cinnamon flavour cookies
 Juvela low-protein loaf
 Juvela low-protein mix
 Juvela low-protein pizza base
 Kindergen
 Loprofin low-protein breakfast cereal
 Loprofin low-protein cinnamon and chocolate chip cookies
 Loprofin low-protein chocolate flavour cream biscuits
 Loprofin low-protein chocolate, orange and vanilla flavour cream wafers
 Loprofin low-protein crackers
 Loprofin low-protein egg replacer
 Loprofin low-protein egg white replacer
 Loprofin low-protein fibre bread (sliced and unsliced)
 Loprofin low-protein loaf (sliced and unsliced)
 Loprofin low-protein mix
 Loprofin low-protein part-baked rolls
 Loprofin low-protein pasta (long-cut spaghetti, macaroni penne, spirals, vermicelli)
 Loprofin low-protein sweet biscuits
 Loprofin low-protein white rolls
 Nepro
 Promin low-protein pasta (alphabets, macaroni, shells, short-cut spaghetti, spirals)
 Promin low-protein pastameal
 Promin low-protein tricolour pastas (alphabets, shells, spirals)
 Renamil
 Rite-Diet low-protein baking mix
 Rite-Diet low-protein flour mix
 Sno-Pro drink
 Suplena
 Ultra low-protein canned brown bread
 Ultra low-protein canned white bread
 Ultra PKU biscuits
 Ultra PKU bread
 Ultra PKU cookies
 Ultra PKU flour mix
 Ultra PKU pizza base
 Ultra PKU savoy biscuits
 Valpiform low-protein cookies with chocolate nuggets and hazelnut flavour
 Valpiform low-protein shortbread biscuits

This is a cross index listing clinical conditions and the products which the ACBS has approved for the management of those conditions. It is essential to consult LIST A for more precise guidance.

BORDERLINE SUBSTANCES**LIST B****RENAL FAILURE**

Vita-Bite

SHORT BOWEL SYNDROME

See: Malabsorption

SICCA SYNDROME

A.S. Saliva Orthana
 Biotene Oralbalance Dry Mouth Saliva Replacement Gel
 Bioextra Moisturising Gel
 Glandosane
 Luborant Saliva Replacement
 Saliveze
 Salivix Pastilles

SYNTHETIC DIETS

(for precise conditions for which these products have been approved see the product listing in List A)

- a) Fat
- Alembicol D
 - Calogen
 - Calogen Banana
 - Calogen Butterscotch
 - Calogen Strawberry
 - Liquigen
 - Medium chain triglyceride oil
 - Pro-Cal
 - QuickCal
 - Vitasavoury
- b) Carbohydrate
- Caloreen
 - Calsip
 - Maxijul LE
 - Maxijul Liquid
 - Maxijul Super Soluble
 - Polycal (Liquid & Powder)
 - Polycose Powder
 - Pro-Cal
 - QuickCal
 - Vitasavoury
 - Vitajoule
- c) Fat/Carbohydrate
- Calshake
 - Duobar (strawberry, toffee, neutral)
 - Duocal (Liquid, MCT Powder & Super Soluble)
 - Scandishake Mix Flavoured and Unflavoured
 - SPS Energy Bar
- d) Minerals
- Aminogran Mineral Mixture
 - Metabolic Mineral Mixture
- e) Protein Sources
 See: Malabsorption states
- f) Vitamins - as appropriate
 See: Malabsorption States
 Nutritional Support for Adults
- g) Vitamins and Minerals
 Paediatric Seravit

XV

This is a cross index listing clinical conditions and the products which the ACBS has approved for the management of those conditions. It is essential to consult LIST A for more precise guidance.

BORDERLINE SUBSTANCES

LIST B

SYNTHETIC DIETS

Phlexyvits

TYROSINAEMIA

Analog XPHEN, TYR
Analog XYPHEN, TYR, MET
Vitafllo - Tyr Gel
XPHEN, TYR Maxamaid
XPT Tyrosidon
XPTM Tyrosidon

UREA CYCLE DISORDERS

L-Arginine Supplement for urea cycle disorders. (S.H.S.)

VITILIGO

Covermark Classic Foundation
Covermark Finishing Powder
Dermablend Cover Creme
Dermablend Leg and Body Cover
Dermablend Setting Powder
Dermacolor Camouflage Cream
Dermacolor Fixing Powder
Keromask Finishing Powder
Keromask Masking Cream
Veil Cover Cream
Veil Finishing Powder

VOMITING IN INFANCY

Instant Carobel
Nestargel

WHOLE PROTEIN SENSITIVITY

for definition, see page 423

Caprilon
MCT Pepdite 1+
Neocate
Neocate Advance (unflavoured, banana vanilla flavour and strawberry vanilla flavour)
Nutramigen 1
Nutramigen 2
Pepdite
Pepdite 1+
Pepdite 1+ (Banana Flavour)
Pepti - Junior
Pregestimil
Prejomin

XEROSTOMIA

A.S. Saliva Orthana
Biotene Oralbalance Dry Mouth Saliva Replacement Gel
Bioextra Moisturising Gel
Glandosane
Luborant Saliva Replacement
Saliveze
Salivix Pastilles

This is a cross index listing clinical conditions and the products which the ACBS has approved for the management of those conditions. It is essential to consult LIST A for more precise guidance.

BORDERLINE SUBSTANCES

LIST C

LIST C

The products which have been considered by the ACBS and may not be prescribed on Form FP10, are now included in Part XVIII.

This is a cross index listing clinical conditions and the products which the ACBS has approved for the management of those conditions. It is essential to consult LIST A for more precise guidance.

BORDERLINE SUBSTANCES

LIST C

This Page is Intentionally Blank

NOTES ON CHARGES

NOTES ON CHARGES FOR DRUGS AND APPLIANCES PAYABLE UNDER REGULATIONS MADE UNDER SECTION 77(1) OF THE NATIONAL HEALTH SERVICE ACT 1977

- (i) Information about the number of charges payable is in paragraph 9 - with examples of the application of the charging arrangements in paragraph 10.
- (ii) Where the arrangements or charge rates differ between England and Wales, provisions for England (ie set out in regulations made in England) apply to prescriptions dispensed by community pharmacists, appliance contractors and dispensing doctors in agreement with Primary Care Trusts (PCT) in England. Provisions for Wales (ie set out in regulations made in Wales) apply to prescriptions dispensed by community pharmacists, appliance contractors and dispensing doctors in agreement with Health Authorities (HA) in Wales. The cost of prescription prepayment certificates (PPCs) will apply in accordance with the normal address of the patient. Details are in paragraph 6.
- (iii) A PPC purchased from, or exemption certificate issued by, any PCT or HA in the UK may be used in respect of prescriptions dispensed in any area in the UK.
- (iv) In the following paragraphs, where no separate provision for Wales is noted, the same provisions apply in England and Wales.

1. CHARGES PAYABLE

£6.40 (England) for each prescription item, preparation or type of appliance including each anklet, legging, knee-cap, below-knee, above knee or thigh stocking (In Wales £5.00). No charge is payable for Oxygen concentrators from 1 April 1992.

2. PHARMACY, APPLIANCE AND DRUG STORE CONTRACTORS

Unless a completed declaration of entitlement to exemption or remission (paragraphs 4 and 5) is made on the prescription form, a charge is payable for each drug or appliance supplied, including each piece of elastic hosiery.

In order to secure exemption or remission from prescription charges when presenting a prescription form to a pharmacy, or appliance contractor, the patient, or a person on his behalf, must complete the declaration on the back of the prescription form. The regulations have now been changed to require them to do so.

Patients, or their representatives, are also required to sign the prescription form to declare that a charge has been paid. Charges are retained by the dispensing practitioner whose payment for provision of pharmaceutical services is adjusted accordingly.

3. DISPENSING DOCTORS

Unless a completed declaration of entitlement to exemption or remission (paragraphs 4 and 5) is made on the prescription form, the charges set out at (1) above are payable in respect of each item supplied by a dispensing doctor. In order to secure exemption or remission from prescription charges when presenting a prescription form to a dispensing doctor, the patient, or a person on his behalf, must complete the declaration on the back of the prescription form. The regulations have now been changed to require them to do so.

Patients, or their representatives, are also required to sign the prescription form to declare that a charge has been paid. Charges are retained by the dispensing practitioner whose payment for provision of pharmaceutical services is adjusted accordingly.

When an item dispensed by a dispensing doctor is delivered to a patient outside the surgery, every reasonable effort should be made to obtain a signed declaration from the patient that they have either paid the charge or are exempt.

However, there will be occasions when repeat prescriptions are delivered to points outside the surgery, or for example for collection from village shops to rural areas. Where a patient is exempt from charges and it is not practical for the patient to sign the form, a dispensing doctor or responsible member of the practice team should mark the reverse of the form as "remote delivery" and sign the form.

NOTES ON CHARGES

4. PEOPLE ENTITLED TO EXEMPTION

Provided that the appropriate declaration is received, a charge is not payable to the pharmacist, appliance contractor or dispensing doctor for drugs or appliances, including elastic hosiery, supplied for:

Children under 16;
 Students aged 16, 17 or 18 in full-time education;
 In Wales, persons under 25;
 Men and women aged 60 and over.

People holding exemption certificates, which are issued to:

Expectant mothers;
 Women who have borne a child or women who have given birth to a child registerable as stillborn under the Births and Deaths Registration Act 1953 in the last 12 months;
 People suffering from the following specified conditions -

- 4.1 Permanent fistula (including Caecostomy, Colostomy, Ileostomy or Laryngostomy) requiring continuous surgical dressing or an appliance.
- 4.2 Forms of hypoadrenalism (including Addison's disease) for which specific substitution therapy is essential.
 Diabetes insipidus and other forms of hypopituitarism
 Diabetes mellitus except where treatment is by diet alone
 Hypoparathyroidism
 Myasthenia gravis
 Myxoedema (Hypothyroidism)
- 4.3 Epilepsy requiring continuous anti-convulsive therapy.
- 4.4 A continuing physical disability which prevents the patient leaving his residence except with the help of another person (this does not mean a temporary disability even if it is likely to last a few months).

Exemption starts from the first day of the month in which the application for an exemption certificate is received.

War pensioners holding a War Pension exemption certificate for prescriptions needed for treating their accepted disablement;

People who have purchased a prescription prepayment certificate (FP96) pay no further charges at the point of dispensing.

5. PEOPLE ENTITLED TO REMISSION

People, and their partners, receiving income support or income based job seeker's allowance;
 People credit guarantee entitles partners who are under 60 (recipients are entitled on age grounds)
 People and their partner getting "new" tax credit who have:

- annual income of £14,600 or less - this is shown on their tax credit award, and
- working tax credit with child tax credit, or
- working tax credit which includes a disability element (for the worker) or a severe disability element (for the worker or non-working partner) - this is shown on the tax credit award, or
- child tax credit but are not eligible for working tax credit because, for example, they do not work 16 hours per week.

New tax credits start from 6 April 2003 and tax credit exemption certificates will be issued by the Prescription Pricing Authority on receipt of data from the Inland Revenue. Treatment forms will be revised to include the category "entitled to, or named on, a tax credit exemption certificate". Patients in the above category may sign this declaration when they have their tax credit award but their certificate has not arrived.

People and their partners who are named on an NHS Charges certificate HC2 because they are entitled to full help through the NHS Low Income Scheme.

NOTES ON CHARGES

Leaflet HC11 and the equivalent HC11W in Wales provides information for patients about help with health costs within the respective countries.

HC11 is on the Department of Health's website at www.dh.gov.uk/helpwithhealthcosts. HC11W is also available at www.wales.gov.uk/healthforms.

Leaflet HC12 and the equivalent HC12W in Wales provides information for patients about charges and optical voucher values within the respective countries.

HC12 is on the Department of Health's website at www.dh.gov.uk/helpwithhealthcosts. HC12W is also available at www.wales.gov.uk/healthforms.

Copies of both HC11 (HC11W in Wales) and HC12 (HC12W in Wales) should be made available to patients. They may be ordered free of charge from your PCT in England and requested from your LHB in Wales, or direct from:

In England

- Department of Health, PO Box 777, London, SE1 6XH, by letter;
- 01623 724 524 by fax;
- 08701 555 455 by telephone;
- doh@prolog.uk.com by email

In Wales

- Welsh Assembly Government, PO Box 2000, St. Helens, WA11 9XY by letter;
- 01942 271 717 by fax;
- 01623 724 233 by telephone;
- welshassembly@prolog.uk.com by email

6. PREPAYMENT CERTIFICATES (PPCs)

From 1 October 2002, responsibility for issuing PPCs in England moved to the PPA. Application forms have been redesigned and an initial supply has been sent to all pharmacists and GPs.

PPCs will be available by telephone from 0845 850 0030 for patients who wish to use their credit or debit card. PPCs will continue to be available by post with payment by cheque or postal order. Credit and debit cards will also be accepted. PPCs may start up to one month earlier or one month later than the PPA receives the application.

Doctors and pharmacists could greatly assist any patient who makes frequent payments for prescriptions by drawing attention to the availability of PPCs. These certificates cost £91.80 (England) for one year or £33.40 (England) for four months. (In Wales, £71.83 for one year or £26.16 for four months.)

They are worthwhile for anyone requiring more than 14 prescription items in 12 months or 5 items in four months. For the convenience of patients, pharmacists are asked to hold PPC application forms FP95 (which are also available from PCTs) or WP95(Wales).

In Wales, patients may refer to their local Business Service Centre to obtain PPCs, the telephone numbers of which are as follows:

Cardiff 029 2040 2402
 Carmarthen 01267 225 225
 Flintshire 01352 700 227
 Gwent 01495 765 065
 Swansea 01792 458 066.

XVI

7. BULK PRESCRIPTION

Charges are not payable in respect of "bulk" prescriptions for schools or institutions supplied in accordance with the Regulations See Note 9, Part VIII (page 36).

NOTES ON CHARGES

8. CONTRACEPTIVE SERVICES

No charge is payable for contraceptive substances and listed contraceptive appliances for women prescribed on FP10 or any of its variants.

The great majority of family planning prescriptions will be for contraceptive devices (See Part IXA) spermicidal gels, creams, films, pessaries and aerosols; or those systemic drugs promoted as contraceptives which are listed below: prescriptions for those products will not be specially marked and a prescription charge should not be levied.

Prescriptions for other drugs - If the prescription is for contraceptive purposes the prescriber should mark the item with the symbol ♀ (or endorse the item in another way which makes it clear that the prescription is for contraceptive purposes) and a prescription charge should not be levied for any items so marked. In the absence of such an endorsement by the prescriber, the normal prescription charge will apply to that item.

Where a dispensing doctor paid on the Drug Tariff basis supplies for contraceptive purposes a drug which is not on the list he should mark the item with the symbol ♀ (or endorse the item in another way which makes it clear that the prescription is for contraceptive purposes) on the prescription form before it is submitted for pricing.

List of Contraceptive Drugs to be Dispensed Free of Charge:

Bi Novum	Microgynon 30 ED
Brevinor	Micronor
Cerazette	Microval
Cilest	Mirena System
Depo-Provera 150mg/ml	
Eugynon 30	Minulet
Evra	Neogest
Femodene	Norgeston
Femodene ED	Noriday
Femodette	Norimin
Femulen	Norinyl-1
Implanon	Noristerat Injection
Levonelle	Ovran
Levonelle-2	Ovran 30
Levonelle One-Step	Ovranette
Levonorgestrel Tablets 750 microgram	Ovysmen
Loestrin 20	PC4
Loestrin 30	Synphase
Logynon	Triadene
Logynon ED	Tri-Minulet
Marvelon	Trinordiol
Medroxyprogesterone Acetate Injection	Trinovum
(Aqueous Suspension) 150mg/5ml	Yasmin
Mercilon	
Microgynon 30	

9. NOTES ON THE NUMBER OF CHARGES PAYABLE**9.1 SINGLE PRESCRIPTION CHARGE PAYABLE**

Unless the patient claims exemption a single prescription charge is payable where:

- 9.1.1 The same drug or preparation is supplied in more than one container.
- 9.1.2 Different strengths of the same drug are ordered as separate prescriptions on the same prescription form (see also paragraph 10.4.2).
- 9.1.3 More than one appliance of the same type (other than hosiery*) is supplied.
- 9.1.4 A set of parts making up a complete appliance is supplied.
- 9.1.5 Drugs are supplied in powder form with the solvent separate for subsequent admixing.
- 9.1.6 A drug is supplied with a dropper, throat brush, or vaginal applicator.
- 9.1.7 Several flavours of the same preparation are supplied.

NOTES ON CHARGES

More than one prescription charge is payable where:

9.2 **MULTIPLE PRESCRIPTION CHARGES PAYABLE**

9.2.1 Different drugs, types of dressing or appliances are supplied.

9.2.2 Different formulations or presentations of the same drug or preparation are prescribed (but see 10.4.2) and supplied.

* (Anklet, legging, knee-cap, below-knee, above knee or thigh stocking).

9.2.3 Additional parts are supplied together with a complete set of apparatus or additional dressing(s) together with a dressing pack.

9.2.4 More than one piece of elastic hosiery* is supplied.

* (Anklet, legging, knee-cap, below-knee, above knee or thigh stocking).

10. EXAMPLES OF APPLICATION OF PRESCRIPTION CHARGE ARRANGEMENTS

"NO CHARGE" ITEM

The number of "no charge" items (ie items which are counted as prescriptions for pricing purposes but which do not carry a prescription charge) should be included on the invoice submitted with the prescription forms to the Pricing Authority.

		Professional Fees	Number of Prescription Charges	No Charge Prescriptions	
10.1	LIQUIDS				
	Required by the prescriber to be supplied in more than one container. Certain preparations, if extemporaneously dispensed, may be subject to additional fees, (see Part IIIA paragraph 2).				
	Ammonium Chloride	300ml x 3	1	1	-
	Boric Acid Eye Lotion	100ml x 2	1	1	-
	Chloramphenicol Ear Drops	10ml x 2	1	1	-
	Ferric Chloride Gargle	200ml x 2	1	1	-
	Hydrogen Peroxide Ear Drops	10ml x 3	1	1	-
	Lead Lotion	200ml x 3	1	1	-
	Sulphacetamide Sodium Eye Drops	10ml x 2	1	1	-

		Professional Fees	Number of Prescription Charges	No Charge Prescriptions	
10.2	INJECTIONS				
	10.2.1 Sets containing graded strength of the same drug				
	Migen - set of 6 graded strength unit-dose syringes		1	1	-

XVI

NOTES ON CHARGES

		Professional Fees	Number of Prescription Charges	No Charge Prescriptions
10.2.2	Same injection, different strength			
	Deca-Durabolin 25mg x 3 } Deca-Durabolin 100mg x 3 }	1	1	-
10.2.3	Dispensed in powder form with solvent			
	Amoxil Inj. Powder 500mg x 1 } Water for Injection 5ml x 1 }	2	1	1
	Digoxin Amps 0.5mg x 10 } Normal Saline Amps 5ml x 10 }	2	1	1
10.2.4	Influenza Vaccine (2 different strains in separate ampoules)	2	1	1
		Professional Fees	Number of Prescription Charges	No Charge Prescriptions
10.3	TABLETS, CAPSULES, OINTMENTS, etc. - Different strengths of the same drug ordered as separate prescriptions at the same time			
	Dithranol ½% in Lassar's Paste } Dithranol 1% in Lassar's Paste } Dithranol 1½% in Lassar's Paste }	3	1	2
	Phenindione Tabs 50mg/one three times daily, 90 } Phenindione Tabs 10mg/one three times daily, 90 }	2	1	1
	Phenindione Tabs 50mg/one in the morning, 30 } Phenindione Tabs 10mg/three at night, 90 }	2	1	1
	Phenindione Tabs 5mg/one in the morning, 28 } Phenindione Tabs 1mg/one in themorning, 28 }	2	1	1
	Sulphacetamide Eye Drops 10% } Sulphacetamide Eye Drops 30% }	2	1	1

NOTES ON CHARGES

		Professional Fees	Number of Prescription Charges	No Charge Prescriptions		
10.4	TABLETS, CAPSULES, etc.					
10.4.1	Different formulations or presentations of the same drug ordered as separate prescriptions					
	Indocid Caps Indocid R Caps	}	2	2	-	
	Isordil Tabs Isordil Sublingual Tabs	}	2	2	-	
	Achromycin Caps 250mg Achromycin Tabs 250mg	}	2	2	-	
	Camcolit 250 Tabs Camcolit 400 Tabs sustained release	}	2	2	-	
	Bezalip Tabs 200mg Bezalip Mono Tabs	}	2	2	-	
	Prednisolone Tabs 1mg Prednesol Tabs 5mg (ie Prednisolone Sodium Phosphate)	}	2	2	-	
	Prednisolone Tabs 1mg Prednisolone Tabs 2.5mg enteric coated	}	2	2	-	
	Ronicol Tabs Ronicol Timespan Tabs	}	2	2	-	
	Trasicor Tabs Slow Trasicor Tabs	}	2	2	-	
10.4.2	Strength required not listed - should be ordered as the required strength and dispensed and priced by a combination of two different strengths and/or presentations.					
	Tolanase Tabs - 350mg x 60 Contractor endorses	100mg x 60 250mg x 60	}	2	1	1
	Prothiaden - 100mg x 100 Contractor endorses	Caps 25mg x 100 Tabs 75mg x 100	}	2	1	1

XVI

NOTES ON CHARGES

	Professional Fees	Number of Prescription Charges	No Charge Prescriptions
10.5 COMBINATION PACKS			
Adgyn Combi	2	2	-
Canesten Combi	2	2	-
Canesten Complete	2	2	-
Canesten Oral and Cream Duo	2	2	-
Climagest Tablets	2	2	-
Cyclo-Progynova Tabs 1mg or 2mg	2	2	-
Cyclo-Progynova Tabs 1mg (prescribed together)	4	3	1
Cyclo-Progynova Tabs 2mg			
Didronel PMO 90 day Treatment Pack	2	2	-
Diocalm Complete (Capsules and Powder Sachets)	2	2	-
Dutonin Starter (Treatment) Pack	3	1	2
Ecostatin Twin Pack	2	2	-
Elleste Duet Tablets 1mg or 2mg	2	2	-
Estracombi TTS	2	2	-
Estrapak 50	2	2	-
Estrapak 50 (prescribed together)	3	2	1
Estraderm 100mg			
Evorel Pak	2	2	-
Evorel Sequi	2	2	-
Femapak 40 or 80	2	2	-
Femoston Tablets 1/10, 2/10 or 2/20	2	2	-
Femoston Tablets 2/10 (prescribed together)	3	2	1
Femoston Tablets 2/20			
FemSeven Sequi	2	2	-
FemTab Sequi Tablets	2	2	-
Flagyl Compak	2	2	-
Germoloids Complete	2	2	-
Gyno-Daktarin Combipack	2	2	-
Gyno-Pevaryl 150 Combipack	2	2	-
Gyno-Pevaryl 1 CP Pack	2	2	-
Heliclear Triple Pack	3	3	-
Helicobacter Test Hp-Plus	2	2	-
Hypovase BD Starter Pack	2	1	1
Hytrin Starter Pack	2	1	1
Hytrin-BPH Starter Pack	3	1	2
Migraleve Complete Tablets (formerly Duo Pack)	2	2	-
Moraxen Suppositories 35mg, 50mg, 75mg or 100mg (Suppositories and Lubri Gel)	2	2	-
Naprtec Combination Pack Tablets	2	2	-
Neurontin Titration Pack	2	2	-
Niaspan MR Titration Pack	3	1	2
Norprolac Starter Pack	2	1	1
Novopem Combination Pack Tablets	2	2	-
Nouvelle Tablets	2	2	-
Nouvelle TS Patches	2	2	-
Premique Cycle	2	2	-
Prempak-C 0.625	2	2	-
Prempak-C 1.25	2	2	-

NOTES ON CHARGES

			Professional Fees	Number of Prescription Charges	No Charge Prescriptions
			3	1	2
			3	1	2
			3	2	1
			3	2	1
			3	2	1
			3	1	2
			Professional Fees	Number of Prescription Charges	No Charge Prescriptions
10.6	MULTIPLES OF SAME APPLIANCE OF SAME OR DIFFERING SIZE				
	Becotide Rotahaler	(prescribed together)	}	2	-
	Ventolin Rotahaler				
	Crepe Bandages	2 x 5cm	}	1	-
	Open-Wove Bandages	1 x 2.5cm			
		1 x 5cm			
		1 x 7.5cm		1	-
			Professional Fees	Number of Prescription Charges	No Charge Prescriptions
10.7	SET OF APPLIANCES OR DRESSINGS				
	Atomizer		1	1	-
	Douche		1	1	-
	Hypodermic Syringe		1	1	-
	Multiple Pack Dressing No.1		1	1	-
	Multiple Pack Dressing No.2		1	1	-
	Portable Urinal		1	1	-
	Suprapubic Belt		1	1	-
	Higginson's Enema Syringe		1	1	-

NOTES ON CHARGES

		Professional Fees	Number of Prescription Charges	No Charge Prescriptions
10.8 SETS OF APPLIANCES ORDERED WITH EXTRA PARTS				
Hypodermic Syringes	}	2	2	-
Hypodermic Needles				
Multiple Pack Dressing No.2	}	2	2	-
Absorbent Cotton 25g				
Portable Urinal	}	1	1	-
Spare Sheaths 2				
		Professional Fees	Number of Prescription Charges	No Charge Prescriptions
10.9 DIFFERENT APPLIANCES				
Lint 25g	}	3	3	-
Absorbent Cotton 25g				
Gauze 90cm x 1m				
		Professional Fees	Number of Prescription Charges	No Charge Prescriptions
10.10 DRUGS ORDERED WITH DRUG TARIFF APPLIANCES				
Ametop Gel 4% Dispensing Pack (12 tubes 1.5g Gel and 15 Opsite Flexigrid Dressings)		2	2	-
Becloforte-VM		2	2	-
Broven Inhalant	}	2	2	-
Broven Inhaler				
Clinitest Set and extra	}	2	1	1
Clinitest Tablets				
Intal Spincaps	}	2	2	-
Spinhaler				
Ventolin Tablets	}	2	2	-
Ventolin Inhaler				

NOTES ON CHARGES

	Professional Fees	Number of Prescription Charges	No Charge Prescriptions
10.11 DRUGS PACKED WITH NON DRUG TARIFF APPLIANCES* (including metered aerosols with refills)			
Alupent Inhaler	}	1	1
Alupent Refill(s)			
Betadine Vaginal Preparation:-			
Gel (with applicator)	1	1	-
Pessaries (with applicator)	1	1	-
V.C. Kit	1	1	-
Syntaris Nasal Spray	1	1	-
Verrugon Ointment (Composite Pack)	1	1	-

*(These appliances are being allowed because they are packed with drug/preparation).

	Professional Fees	Number of Prescription Charges	No Charge Prescriptions
10.12 ELASTIC HOSIERY			
1 pr Knee-caps - One Way Stretch	1	2	-
1 pr Thigh Stockings - Class II	1	2	-
1 pr Spare Suspenders	1	1	-
1 Suspender Belt	1	1	-

	Professional Fees	Number of Prescription Charges	No Charge Prescriptions
10.13 MISCELLANEOUS			
10.13.1 Preparation supplied as separate parts for admixing as required for use			
Chlorhexidine 0.2% Aqueous Solution - 400ml	}	2	1
Sodium Fluoride 2% Aqueous Solution - 400ml			
10.13.2 Preparation having various flavours			
Dioralyte Plain	}	2	1
Dioralyte Blackcurrant			
Hycal assorted flavours. Mitte 3	3	1	2
Hycal assorted flavours. Mitte 8 (At present 4 flavours available)	4	1	3
Rite-Diet Gluten Free Biscuits Sweet	}	2	1
Rite-Diet Gluten Free Biscuits Savoury			

XVI

NOTES ON CHARGES

		Professional Fees	Number of Prescription Charges	No Charge Prescriptions
10.13.3	Different but related preparations			
	Aminogran Food Supplement	1	1	-
	Aminogran Mineral Mixture	1	1	-
	Brasivol-fine, medium and coarse	3	1	2
	Parentrovite IM Maintenance	2	2	-
	Parentrovite IV High Potency	2	2	-
	Parentrovite IM High Potency	2	2	-
	Rite-Diet Gluten Free Flour	}	2	2
	Rite-Diet Gluten Free Bread			
	Migraleve Tabs, yellow	1	1	-
	Migraleve Tabs, pink	1	1	-
	Migraleve Tabs, yellow and pink	2	2	-
	Migraleve Duo Pack with additional tablets (yellow and/or pink)	2	2	-
	Triptafen-M Tabs	}	2	2
	Triptafen Tabs			
10.13.4	Eye, Ear and Nasal Drops (supplied with dropper bottles, or with a separate dropper where appropriate) (See Part IV.Containers)	1	1	-
10.13.5	A drug in powder form together with a solvent in the same packs (Treatment Pack) (2 vials of powder and 2 vials of solvent)			
	Actinac	2	1	1
10.13.6	Oxygen			
	Oxygen Therapy Set with cylinder(s)	1	1	-
	Oxygen Cylinders (See Part X, Domiciliary Oxygen Therapy Service)	1	1	-
10.13.7	Trusses			
	Spring Truss	}	1	1
	Inguinal - Single			
	Elastic Band Truss	}	1	1
	Scrotal-Double			

NOTES ON CHARGES

		Professional Fees	Number of Prescription Charges	No Charge Prescriptions
10.13.8	Vaginal Creams and Applicators*			
	Duracreme	}	2	-
	Vaginal Applicator - Type 2			
	Ortho Creme	}	2	-
	Vaginal Applicator - Type 1			
	Sultrin (Triple Sulfa) Cream	}	2	1
	Vaginal Applicator - Type 1			
	Applicator Vaginal			
	Type 1 (Ortho)	1	-	1
	Type 2 (Durex)	1	-	1

* (No attempt should be made to determine whether or not the applicator is required for use with a contraceptive)

NOTES ON CHARGES

This Page is Intentionally Blank

DENTAL PRESCRIBING

List of Preparations approved by the Secretary of State for Health as respects England and the National Assembly for Wales as respects Wales which may be prescribed on form FP10(D) by Dentists for National Health Service patients

Aciclovir Cream BP	Erythromycin Ethyl Succinate Oral Suspension BP (includes sugar-free formulation)
Aciclovir Oral Suspension BP 200mg/5ml	Erythromycin Ethyl Succinate Tablets BP
Aciclovir Tablets BP 200mg	Erythromycin Stearate Tablets BP
Amoxicillin Capsules BP	Erythromycin Tablets BP
Amoxicillin Oral Powder DPF	Fluconazole Capsules 50mg DPF
Amoxicillin Oral Suspension BP (includes sugar-free formulation)	Fluconazole Oral Suspension 50mg/5ml DPF
Amphotericin Lozenges BP	
Amphotericin Oral Suspension BP 100mg/ml	Hydrocortisone Cream BP 1%
Ampicillin Capsules BP	Hydrocortisone Oromucosal Tablets BP
Ampicillin Oral Suspension BP	Hydrocortisone and Miconazole Cream DPF
Artificial Saliva DPF	Hydrocortisone and Miconazole Ointment DPF
Artificial Saliva Substitutes as listed below (to be prescribed only for indications approved by ACBS)	Hydrogen Peroxide Mouthwash BP
# AS Saliva Orthana	
# Biotene Oralbalance	Ibuprofen Oral Suspension BP sugar free
# Bioxtra	Ibuprofen Tablets BP
# Glandosane	
# Saliveze	Lidocaine 5% Ointment DPF
# Salivix	
Ascorbic Acid Tablets BP	Menthol and Eucalyptus Inhalation BP 1980
Aspirin Tablets Dispersible BP	Metronidazole Oral Suspension DPF
Azithromycin Oral Suspension 200mg/5ml DPF	Metronidazole Tablets BP
	Miconazole Oromucosal Gel BP 24mg/ml
Benzylamine Mouthwash BP 0.15%	Mouth-wash Solution - tablets DPF
Benzylamine Oromucosal Spray BP 0.15%	
	Nitrazepam Tablets BP
Carbamazepine Tablets BP	Nystatin Ointment BP
Carmellose Gelatin Paste DPF	Nystatin Oral Suspension BP (includes sugar-free formulation)
Cefalexin Capsules BP	Nystatin Pastilles BP 100,000 units
Cefalexin Oral Suspension BP	
Cefalexin Tablets BP	Oxytetracycline Tablets BP
Cefradine Capsules BP	
Cefradine Oral Solution DPF	*Paracetamol Oral Suspension BP (includes sugar-free formulation)
Chlorhexidine Gluconate 1% Gel DPF	Paracetamol Tablets BP
Chlorhexidine Mouthwash BP 0.2% w/v	Paracetamol Tablets Soluble BP
Chlorhexidine Oral Spray DPF	Penciclovir Cream DPF
Chlorphenamine Tablets BP	Pethidine Tablets BP
Choline Salicylate Dental Gel BP	Phenoxymethylpenicillin Oral Solution BP
Clindamycin Capsules BP	Phenoxymethylpenicillin Tablets BP
	Povidone-Iodine Mouthwash BP 1%
Diazepam Oral Solution BP 2mg/5ml	Promethazine Hydrochloride Tablets BP
Diazepam Tablets BP	Promethazine Oral Solution BP
Diflunisal Tablets BP	
Dihydrocodeine Tablets BP 30mg	Rofecoxib Tablets DPF
Doxycycline Capsules BP 100mg	
Doxycycline Tablets 20mg DPF	
Ephedrine Nasal Drops BP	

These products have Advisory Committee on Borderline Substances approval for patients suffering dry mouth as a result of having (or having undergone) radiotherapy or sicca syndrome.

* The title covers strengths of 120mg/5ml and 250mg/5ml, it is therefore necessary to specify the strength required.

XVIIIA

DENTAL PRESCRIBING

Sodium Chloride Mouthwash Compound BP
Sodium Fluoride Oral Drops BP
Sodium Fluoride Tablets BP
Sodium Fusidate Ointment BP

Temazepam Oral Solution BP
Temazepam Tablets BP
Tetracycline Tablets BP
Triamcinolone Dental Paste BP

Vitamin B Tablets Compound Strong BPC

Zinc Sulphate Mouthwash DPF

NURSE PRESCRIBING**Part XVIIIB(i)**

List of preparations as determined by the Secretary of State for Health as respects England and the National Assembly for Wales as respects Wales which may be prescribed by District Nurse and Health Visitor prescribers on Form FP(10)P (Forms FP10 (CN) and FP10 (PN) in Wales) for NHS patients under Section 41(1)(d) of the National Health Service Act 1977.

District Nurse and Health Visitor prescribers who have completed the necessary training may only prescribe items appearing in the nurse prescribers list set below.

NURSE PRESCRIBERS' FORMULARY FOR DISTRICT NURSES AND HEALTH VISITORS

See Also: Drug Tariff Part 1,2,3; Note 7 to Part IXA,B,C and Note 1 to Part IXR

Nurses are recommended to prescribe generically, except where this would not be clinically appropriate or where there is no approved generic name.

- 1 Only in quantities up to 100
- 2 Except pack sizes that are not to be prescribed under the NHS (See Part XVIII A)
- 3 Except for indications and doses that are POM
- 4 Notes for Nurse Prescribers in Family Planning Clinics - Where it is not appropriate for nurse prescribers in family planning clinics to prescribe contraceptive devices using Form FP10(P) (forms FP10(CN) and FP10(PN) in Wales), they may prescribe using the same system as doctors in the clinic.

Medicinal Preparations

Almond Oil Ear Drops BP
 Arachis Oil Enema NPF
¹ Aspirin Tablets Dispersible 300mg BP
 Bisacodyl Suppositories BP (includes 5mg and 10mg strengths)
 Bisacodyl Tablets BP
 Cadexomer-Iodine Ointment NPF
 Cadexomer-Iodine Paste NPF
 Cadexomer-Iodine Powder NPF
 Catheter Maintenance Solution Chlorhexidine NPF
 Catheter Maintenance Solution Sodium Chloride NPF
 Catheter Maintenance Solution 'Solution G' NPF
 Catheter Maintenance Solution 'Solution R' NPF
 Choline Salicylate Dental Gel BP
 Clotrimazole Cream 1% BP
 Co-danthramer Capsules NPF
 Co-danthramer Capsules Strong NPF
 Co-danthramer Oral Suspension NPF
 Co-danthramer Oral Suspension Strong NPF
 Co-danthrusate Capsules BP
 Co-danthrusate Oral Suspension NPF
 Crotamiton Cream BP
 Crotamiton Lotion BP
 Dextranomer Beads NPF
 Dextranomer Paste NPF
 Dimethicone barrier creams containing at least 10%
 Docusate Capsules BP
 Docusate Enema NPF
 Docusate Enema Compound BP
 Docusate Oral Solution BP

Docusate Oral Solution Paediatric BP

Econazole Cream 1% BP

Emollients as listed below:

Aqueous Cream BP
 Arachis Oil BP
 Cetraben
 Decubal Clinic
 Dermamist
 Diprobase Cream
 Diprobase Ointment
 Doublebase
 E45 Cream
 Emulsifying Ointment BP
 Epaderm
 Gammaderm Cream
 Hydromol Cream
 Hydrous Ointment BP
 Hydromol Ointment
 Keri Therapeutic Lotion
 LactiCare Lotion
 Lipobase
 Liquid and White Soft Paraffin Ointment NPF
 Neutrogena Dermatological Cream
 Oilatum Cream
 Paraffin White Soft BP
 Paraffin Yellow Soft BP
 Ultrabase
 Unguentum M
 Zerobase Cream

XVIIIB

NURSE PRESCRIBING

Emollient Bath Additives as listed below:

Alpha Keri Bath Oil
 Ashbourne Emollient Medicinal Bath Oil
²Balneum
 Cetraben Emollient Bath Additive
 Dermal Bath Emollient (Formerly Emmolate Bath Oil)
 Diprobath
 Hydromol Emollient
 Imuderm Bath Oil
 Oilatum Emollient
 Oilatum Fragrance Free
 Oilatum Gel
 Folic Acid 400 microgram/5ml Oral Solution NPF
 Folic Acid Tablets 400 micrograms BP
 Glycerol Suppositories BP
³Ibuprofen Oral Suspension BP
³Ibuprofen Tablets BP
 Ispaghula Husk Granules BP
 Ispaghula Husk Granules Effervescent BP
 Ispaghula Husk Oral Powder BP
 Lactulose Solution BP
 Lidocaine Gel/Lignocaine Gel BP
 Lidocaine Ointment/Lignocaine Ointment NPF
 Lidocaine and Chlorhexidine Gel/Lignocaine and Chlorhexidine Gel BP
 Macrogol Oral Powder Compound NPF
 Macrogol Oral Powder NPF
 Magnesium Hydroxide Mixture BP
 Magnesium Sulphate Paste BP
 Malathion Alcoholic Lotions (containing at least 0.5%)
 Malathion Aqueous Lotions (containing at least 0.5%)
 Mebendazole Oral Suspension NPF
 Mebendazole Tablets NPF
 Methylcellulose Tablets BP
 Miconazole Cream 2% BP
 Miconazole Oromucosal Gel BP 24mg/ml
 Mouthwash Solution-tablets NPF
 Movicol - Half
 Nicotine Inhalation Cartridge for Oromucosal Use NPF
 Nicotine Lozenge NPF
 Nicotine Medicated Chewing Gum NPF
 Nicotine Nasal Spray NPF
 Nicotine Sublingual Tablets NPF
 Nicotine Transdermal Patches NPF
 Prescriber should specify brand and strength to be dispensed
 Releasing nicotine over 16 hours:
 Nicorette Patches
 Releasing nicotine over 24 hours:
 Boots NRT Patches
 NiQuitin CQ Patches
 Nicotinell TTS Patches
 Nystatin Oral Suspension BP
 Nystatin Pastilles BP 100,000units
 Olive Oil Ear Drops BP
 Paracetamol Oral Suspension BP
 (includes 120mg/5ml and 250mg/5ml strengths both of which are available as sugar-free formulations)
¹ Paracetamol Tablets BP

Paracetamol Tablets Soluble BP
 Permethrin Cream NPF
 Phenothrin Alcoholic Lotion NPF
 Phenothrin Aqueous Lotion NPF
 Phosphate Suppositories NPF
 Phosphates Enema BP
 Piperazine and Senna Powder NPF
 Povidone-Iodine Solution BP
 Senna Granules Standardised BP
 Senna Oral Solution NPF
 Senna Tablets BP
 Senna and Ispaghula Granules NPF
 Sodium Bicarbonate Ear Drops BP (now included in Part IXA and therefore allowed as an appliance)
 Sodium Chloride Solution Sterile BP
 Sodium Citrate Compound Enema NPF
 Sodium Picosulfate Capsules NPF
 Sodium Picosulfate Elixir NPF
 Spermicidal Contraceptives as listed below:
 Delfen Foam
 Duragel Gel
 Gynol II Jelly
 Ortho-Creme Cream
 Orthoforms Pessaries
 Sterculia Granules NPF
 Sterculia and Frangula Granules NPF
 Streptokinase and Streptodornase Topical Powder NPF
 Thymol Glycerin Compound BP 1988
 Titanium Ointment BP
 Water for Injection
 Zinc Cream BP
 Zinc Ointment BP
 Zinc and Castor Oil Ointment BP
 Zinc Oxide and Dimeticone Spray NPF
 Zinc Oxide Impregnated Medicated Stocking NPF
 Zinc Paste bandage, BP 1993
 Zinc Paste and Calamine Bandage
 Zinc Paste, Calamine and Clioquinol Bandage BP 1993
 Zinc Paste and Ichthammol Bandage BP 1993

NURSE PRESCRIBING

Appliances and Reagents (Including Wound Management Products)

All Appliances and Reagents included in this list must comply with the description, specifications, sizes, packs and quantities as specified in the relevant entry in Part IX of the Drug Tariff

Appliances as listed in Part IXA (including Contraceptive Devices⁴)

Incontinence Appliances as listed in Part IXB

Stoma Appliances and Associated Products as listed in Part IXC

Chemical Reagents, as listed in Part IXR

NURSE PRESCRIBING

This Page is Intentionally Blank

NURSE PRESCRIBING**Part XVIIIB(ii)**

List of preparations as determined by the Secretary of State for Health as respects England and the National Assembly for Wales as respects Wales which may be prescribed by Extended Formulary Nurse Prescribers on Form FP(10)P (forms FP10(CN) and FP10(PN) in Wales) for NHS patients under Section 41(1)(d) of the National Health Service Act 1977.

Independent nurse prescribers who have completed the necessary training and are authorised to prescribe from the Nurse Prescribers' Extended Formulary list may prescribe all General Sales List and Pharmacy medicines currently prescribable by GPs (except controlled drugs), together with a list of Prescription Only Medicines. In addition they may prescribe all items appearing in the Nurse Prescribing List Part XVIIIB(i).

Advice from the Committee on Safety of Medicines and the Medicines Commission is that Extended Formulary Nurse Prescribers should restrict their prescribing of both POMs and P/GSL medicines to treatment of the Medical conditions set out below. Nurses should not prescribe independently outside of these specified conditions.

The CSM advice is reinforced on the DH's nurse prescribing website (www.doh.gov.uk/nurseprescribing) and in the DH Guide to Implementation of Independent Nurse Prescribing, which can be found on that website. The Guide will be updated early in 2004.

Circulatory

Haemorrhoids
Phlebitis - superficial

Ear

Furuncle
Otitis externa
Otitis media
Wax in ear

Endocrine

Hypoglycaemia

Eye

Blepharitis
Conjunctivitis - allergic
Conjunctivitis - infective
Local anaesthetic for ophthalmic conditions

Gastrointestinal Conditions

Constipation
Gastroenteritis
Heartburn
Infantile Colic
Worms - threadworms

Immunisations

Routine childhood and specific vaccinations

Musculoskeletal

Back pain - acute, uncomplicated
Neck pain - acute, uncomplicated
Soft tissue injuries
Sprains

Oral Conditions

Aphthous ulcer
Candidiasis - oral
Dental abscess
Gingivitis
Stomatitis

Respiratory

Acute attacks of asthma
Acute nasopharyngitis (coryza)
Laryngitis
Pharyngitis
Rhinitis-allergic
Sinusitis-acute
Tonsillitis

XVIIIB

NURSE PRESCRIBING

- Skin**
- Abrasions
 - Acne
 - Animal and human bites
 - Boil/carbuncle
 - Burn/scald
 - Candidiasis - skin
 - Chronic skin ulcer
 - Dermatitis - atopic
 - Dermatitis - contact
 - Dermatitis - seborrhoeic
 - Dermatophytosis of the skin (ringworm)
 - Herpes labialis
 - Impetigo
 - Insect bite/sting
 - Lacerations
 - Local anaesthetic for occasions when procedure requires it
 - Local anaesthetic for suturing of lacerations
 - Nappy rash
 - Pediculosis (head lice)
 - Pruritus in chicken pox
 - Scabies
 - Urticaria
 - Warts (including verrucas)
- Substance Dependence**
- Smoking cessation
- Urinary system**
- Urinary tract infection (women) - lower, uncomplicated
- Female genital system**
- Bacterial vaginosis
 - Candidiasis - vulvovaginal
 - Contraception
 - Dysmenorrhoea
 - Emergency Contraception
 - Laboratory confirmed uncomplicated genital Chlamydia infection (and the sexual partners of those patients)
 - Menopausal vaginal atrophy
 - Preconceptual counselling
 - Trichomonas vaginalis infection (and the sexual partners of those patients)
- Male genital system**
- Balanitis
- Palliative Care**
- Anxiety
 - Bowel colic
 - Candidiasis - oral
 - Confusion
 - Constipation
 - Convulsions and restlessness
 - Cough
 - Dry mouth
 - Excessive respiratory secretions
 - Fungating malodorous tumours
 - Muscle spasm
 - Nausea and vomiting
 - Neuropathic pain in palliative care
 - Pain control

For the purposes of extended formulary nurse prescribing, this means the palliative care of patients with advanced, progressive illness

NURSE PRESCRIBING

NURSE PRESCRIBING EXTENDED FORMULARY
Items prescribable by independent nurse prescribers from the extended formulary

1. All licensed P and GSL Medicines prescribable on the NHS for the specified list of medical conditions. This includes P and GSL preparations including the controlled drugs codeine phosphate and dihydrocodeine tartrate. The only other controlled drugs prescribable by nurses are set out below in the list of Prescription Only Medicines included in the Nurse Prescribers' Extended Formulary.*
2. Prescription Only Medicines from the list below by the route or form specified*
See earlier for the list of those medical conditions for which nurses may prescribe independently. Nurses are recommended to prescribe generically, except where this would not be clinically appropriate or where there is no approved generic name.

LIST OF PRESCRIPTION ONLY MEDICINES FOR PRESCRIBING BY EXTENDED FORMULARY NURSE PRESCRIBERS ORAL ANTIBIOTICS MARKED # - SEE SEPARATE LIST BELOW FOR INDICATIONS
Notes for Extended Formulary Nurse Prescribers

- 1 Notes for Nurse Prescribers in Family Planning Clinics - Where it is not appropriate for nurse prescribers in family planning clinics to prescribe contraceptive drugs using Form FP10(P) (forms FP10(CN) and FP10(PN) in Wales), they may prescribe using the same system as doctors in the clinic.
- 2 Centrally supplied vaccine excluded from reimbursement via prescription route.
- 3 High Volume Personally Administered Vaccine. Claims for these vaccines should be ordered on Form FP34D (Appendix)

<i>Drug</i>	<i>Route of administration, use or pharmaceutical form</i>
Aciclovir	External
Acrivastine	Oral
Adapalene	External
Alclometasone dipropionate	External
Alimemazine tartrate (trimeprazine tartrate)	Oral
Amitriptyline hydrochloride	Palliative care - oral
Amorolfine hydrochloride	External
Amoxicillin trihydrate#	Oral
Aspirin	Oral
Azelaic acid	External
Azelastine hydrochloride	Ophthalmic, nasal
Azithromycin dihydrate #	Oral
Baclofen	Palliative care - oral
Beclometasone dipropionate	External, nasal
Betamethasone sodium phosphate	Aural, nasal
Betamethasone valerate	External, rectal
Budesonide	Nasal
Carbamazepine	Palliative care - oral, rectal
Carbaryl	External
Carbenoxolone sodium	Mouthwash
Cetirizine hydrochloride	Oral
Chloramphenicol	Ophthalmic
Cimetidine	Oral
Cinchocaine hydrochloride	Rectal
Clavulanic acid (as Potassium clavulanate)	Oral
Clindamycin phosphate	External, vaginal
Clobetasone butyrate	External
Clotrimazole	External
Codeine phosphate	Oral
Conjugated oestrogens (equine)	External

XVIIIB

NURSE PRESCRIBING

<i>Drug</i>	<i>Route of administration, use or pharmaceutical form</i>
Co-phenotrope	Oral
Cyclizine	Palliative care - parenteral
Dantrolene sodium	Palliative care - oral
Dantron	Oral
¹ Desogestrel	Oral
Desoximetasone (Desoxymethasone)	External
Dexamethasone	Aural
Dexamethasone isonicotinate	Nasal
Diazepam	Palliative Care - oral, parenteral and rectal
Diclofenac diethylammonium	External
Diclofenac potassium	Oral
Diclofenac sodium	Oral, rectal
Dihydrocodeine tartrate	Oral
Domperidone	Palliative care - oral and rectal
Domperidone maleate	Palliative care - oral
Doxycycline hyclate#	Oral
Doxycycline monohydrate#	Oral
Econazole nitrate	Vaginal, external
Emadastine	Ophthalmic
Erythromycin #	External, oral
Erythromycin ethylsuccinate #	Oral
Erythromycin stearate #	Oral
Estradiol	External
Estriol	External
¹ Ethinylestradiol	Oral
Etonogestrel	Implant
¹ Ethinodiol diacetate (ethynodiol diacetate)	Oral
Famotidine	Oral
Felbinac	External
Fenticonazole nitrate	Vaginal
Fexofenadine hydrochloride	Oral
Flucloxacillin sodium #	Oral
Flucloxacillin magnesium #	Oral
Fluconazole	Oral
Fludroxycortide (Flurandrenolone)	External
Flumazenil	Parenteral
Flumetasone pivalate	Aural
Flunisolide	Nasal
Fluocinolone acetonide	External
Fluocinonide	External
Fluocortolone hexanoate	External, rectal
Fluocortolone pivalate	External, rectal
Flurbiprofen	Lozenges
Fluticasone propionate	External, nasal
Fusidic acid	External
Gabapentin	Palliative care - oral
Gentamycin Sulphate	Aural
¹ Gestodene	Oral
Glucagon hydrochloride	Parenteral
Glucose	Parenteral
Hydrocortisone	External including rectal
Hydrocortisone acetate	External including rectal, aural
Hydrocortisone butyrate	External
Hydrocortisone sodium succinate	Lozenges

NURSE PRESCRIBING

<i>Drug</i>	<i>Route of administration, use or pharmaceutical form</i>
Hyoscine	Palliative care - transdermal
Hyoscine butylbromide	Palliative care - parenteral
Hyoscine hydrobromide	Palliative care - oral, parenteral
Ibuprofen	External, oral
Ibuprofen lysine	Oral
Imipramine hydrochloride	Palliative care - oral
Ipratropium bromide	Nasal
Isotretinoin	External
Ketoconazole	External
Ketoprofen	External
Levocabastine hydrochloride	Nasal and ophthalmic
Levomepromazine (methotrimeprazine) maleate	Palliative care - oral
Levomepromazine (methotrimeprazine) hydrochloride	Palliative care - parenteral
¹ Levonorgestrel	Oral
Lidocaine hydrochloride	External, parenteral
Lithium succinate	External
Lodoxamide trometamol	Ophthalmic
Loperamide hydrochloride	Oral
Loratadine	Oral
Lorazepam	Palliative care - oral and parenteral
Lymecycline#	Oral
Mebendazole	Oral
¹ Medroxyprogesterone acetate	Injection
¹ Mestranol	Oral
Metoclopramide hydrochloride	Palliative care - oral and parenteral
Metronidazole#	Oral, external, vaginal, rectal
Metronidazole benzoate#	Oral
Miconazole	Dental lacquer
Miconazole nitrate	Vaginal, external
Midazolam	Palliative care, parenteral
Minocycline hydrochloride#	Oral
Mizolastine	Oral
Mometasone furoate	External, nasal
Nedocromil sodium	Ophthalmic
Nefopam hydrochloride	Oral
Neomycin sulphate	Aural
Neomycin undecanoate	Aural
Nitrofurantoin#	Oral
Nizatidine	Oral
¹ Norethisterone	Oral
¹ Norethisterone acetate	Oral
¹ Norethisterone enanthate	Parenteral
¹ Norgestimate	Oral
¹ Norgestrel	Oral
Nortriptyline hydrochloride	Palliative care - oral
Nystatin	External, local mouth treatment, vaginal
Oxytetracycline dihydrate #	Oral
Paracetamol	Oral
Penciclovir	External
Piroxicam	External
Prednisolone	Oral
Prednisolone hexanoate	Rectal
Prednisolone sodium phosphate	Aural, Oral

XVIIIB

NURSE PRESCRIBING

<i>Drug</i>	<i>Route of administration, use or pharmaceutical form</i>
Ranitidine hydrochloride	Oral
Salbutamol sulphate	Inhalation
Silver sulphadiazine	External
Sodium cromoglycate	Ophthalmic
Sodium fusidate	External
Streptodornase	External
Streptokinase	External
Sulconazole nitrate	External
Terbinafine hydrochloride	External
Terbutaline sulphate	Inhalation
Tetracycline hydrochloride #	Oral, external
Tretinoin	External
Triamcinolone acetonide	Nasal, aural, oral paste, external
Trimethoprim#	Oral
² Tuberculin PPD	Injection
² Vaccine, Adsorbed Diphtheria	Injection
² Vaccine, Adsorbed Diphtheria and Tetanus	Injection
² Vaccine, Adsorbed Diphtheria and Tetanus For Adults And Adolescents	Injection
² Vaccine, Adsorbed Diphtheria for Adults And Adolescents	Injection
² Vaccine, Adsorbed Diphtheria, Tetanus And Pertussis	Injection
² Vaccine, Adsorbed Diphtheria, Tetanus Toxoid and Pertussis (Acellular Component)	Injection
² Vaccine, BCG	Injection
² Vaccine, BCG Percutaneous	Injection
² Vaccine, Haemophilus Influenzae Type B (Hib)	Injection
² Vaccine, Haemophilus Influenzae Type B (Hib) with Diphtheria, Tetanus and Pertussis	Injection
² Vaccine, Haemophilus Influenzae Type B (Hib) Diphtheria, Tetanus and Acellular Pertussis	Injection
³ Vaccine, Hepatitis A	Injection
³ Vaccine, Hepatitis A with Typhoid	Injection
³ Vaccine, Hepatitis A, Inactivated, with Recombinant (DNA) Hepatitis B	Injection
³ Vaccine, Hepatitis B	Injection
³ Vaccine, Influenza	Injection
² Vaccine, Live Measles, Mumps and Rubella (MMR)	Injection
² Vaccine, Meningococcal Group C Conjugate	Injection
² or ³ Vaccine, Meningococcal Polysaccharide A and C	Injection
³ Vaccine, Pneumococcal	Injection
² Vaccine, Poliomyelitis, Live (Oral)	Oral
² Vaccine, Rubella, Live	Injection
³ Vaccine, Tetanus, Adsorbed	Injection
Vaccine, Typhoid, Live Attenuated (Oral)	Oral
³ Vaccine, Typhoid, Polysaccharide	Injection
Water for Injection	Parenteral

NURSE PRESCRIBING

Oral antibiotics and indications considered suitable for nurse prescribing

Drug	Indication
Amoxicillin trihydrate	Lower UTI (women), animal and human bites
Azithromycin dihydrate	Laboratory confirmed uncomplicated genital chlamydial infection, plus sexual partners of those patients
Doxycycline hyclate	Acne, animal and human bites, laboratory confirmed uncomplicated genital chlamydial infection, plus sexual partners of those patients
Doxycycline monohydrate	Acne, animal and human bites, laboratory confirmed uncomplicated genital chlamydial infection, plus sexual partners of those patients
Erythromycin	Impetigo, animal and human bites, laboratory confirmed uncomplicated genital chlamydial infection, plus sexual partners of those patients
Erythromycin ethylsuccinate	impetigo, animal and human bites, laboratory confirmed uncomplicated genital chlamydial infection, plus sexual partners of those patients
Erythromycin stearate	Impetigo, animal and human bites, laboratory confirmed uncomplicated genital chlamydial infection, plus sexual partners of those patients
Flucloxacillin magnesium	Impetigo
Flucloxacillin sodium	Impetigo
Lymecycline	Acne
Metronidazole	Animal and human bites; fungating malodorous tumours; bacterial vaginosis; trichomonas vaginalis infection plus sexual partners of those patients
Metronidazole benzoate	Animal and human bites
Minocycline hydrochloride	Acne
Nitrofurantoin	Lower UTI (women)
Oxytetracycline dihydrate	Acne, animal and human bites
Tetracycline hydrochloride	Acne
Trimethoprim	Lower UTI (women)

NURSE PRESCRIBING

This Page is Intentionally Blank

**DRUGS AND OTHER SUBSTANCES NOT TO BE PRESCRIBED UNDER THE NHS
PHARMACEUTICAL SERVICES**

Part XVIII A reproduces Schedule 1 to the National Health Service (General Medical Services Contracts) (Prescription of Drugs etc.) Regulations 2004.

10.10 Cleaning and Disinfecting Solution	Alka-Seltzer Tablets
10.10 Rinsing and Neutralising Solution	Alket Powders
10 Day Slimmer Tablets	All Clear Shampoo
10 Hour Capsules	All Fours Cough Mixture (Harwood)
4711 Cologne	All Fours Mixture (Glynwed Wholesale Chemists)
Abidec Capsules	All Fours Mixture (Roberts Laboratories)
Acarosan Foam	Allbee with C Capsules
Acarosan Moist Powder	Allbee with C Elixir
Acclaim Flea Control Aerosol Plus	Aller-eze Plus Tablets
Acnaveen Bar	Aller-eze Tablets
Acne Aid Bar	Allinson's Wholemeal Flour
Actal Suspension	Almasilate Tablets 500 mg
Actal Tablets	Almay Aftersun Soother
Actifed Compound Linctus	Almay Face Powder
Actifed Cough Relief	Almay Sun Protection Cream SPF 12
Actifed Expectorant	Almay Ultra Protection Lotion SPF 12
Actifed Linctus with Codeine	Almazine Tablets 1mg
Actifed Syrup	Almazine Tablets 2.5 mg
Actifed Tablets	Aloin Tablets 40 mg
Actomite	Alophen Pills
Actonorm Gel	Alpine Tea
Actonorm Powder	Alprazolam Tablets 0.25mg
Actonorm Tablets	Alprazolam Tablets 0.5mg
Actron Tablets	Alprazolam Tablets 1 mg
Adpack Europe Gamolenic Acid (GLA) Capsules	Altacaps
Adreno-Lyph Plus Tablets	Altacite Plus Tablets
Adult Cough Balsam (Cupal)	Altacite Suspension
Adult Meltus Cough & Catarrh Linctus	Altacite Tablets
Adult Tonic Mixture (Thornton & Ross)	Altelave Liquid
Advanced Nutrition Bee Pollen Granules	Aludrox Gel
Advanced Nutrition Bee Propolis Tablets	Aludrox Liquid
Advanced Nutrition Chromium Compound Liquid	Aludrox M H Suspension
Advanced Nutrition Ener-B NSL Gel	Aludrox S A Suspension
Advanced Nutrition Herbal Aloe Juice	Aludrox Tablets
Advanced Nutrition L-Arginine Capsules	Aluhyde Tablets
Advanced Nutrition Linseed Oil	Aluminium Hydroxide & Silicone Suspension
Advanced Nutrition Silica-Organic Capsules	Aluminium Phosphate Gel
Advanced Nutrition Sulphur Capsules	Aluminium Phosphate Tablets 400 mg
Advanced Nutrition Vitamin E Capsules	Alupent Expectorant Mixture
Aerocide 2 Spray 400ml	Alupent Expectorant Tablets
Afrazine Nasal Drops	Aluphos Gel
Afrazine Nasal Spray	Aluphos Tablets
Afrazine Paediatric Nasal Drops	Alupram Tablets 2 mg
Agarol Emulsion	Alupram Tablets 5 mg
Agiolax Granules	Alupram Tablets 10 mg
Airbal Breathe Easy Vapour Inhaler	Aluzyme Tablets
AL Tablets	Alzed Tablets
Alagbin Tablets	Ambre Solaire Cream Factor 8
Alcin Tablets	Ambre Solaire Cream Factor 10
Alcon Salette Aerosol Saline Solution	Ambre Solaire High Protection Cream SPF10
Aletres Cordial (Potters)	Ambre Solaire High Protection Milk SPF 12
Alexitol Sodium Suspension 360 mg/5 ml	American Nutrition Strezz B-Vite Tablets
Alexitol Sodium Tablets	Ami - 10 Rinsing and Storage Solution
Algipan Rub	Amiclear Contact Lens Cleanser Tablets
Algipan Tablets	Amidose Saline Solution 30 ml
Alka-Donna P Mixture	Amin-Aid
Alka-Donna P Tablets	Amisyn Tablets
Alka-Donna Suspension	Ammonium Chloride and Morphine Mixture BP
Alka-Donna Tablets	Amplex Mint Capsules
Alka Mints	Amplex Mouthwash

XVIII A

**DRUGS AND OTHER SUBSTANCES NOT TO BE PRESCRIBED UNDER THE NHS
PHARMACEUTICAL SERVICES**

Amplex Original Capsules	Asthma Tablets (Cathay)
Anadin Analgesic Capsules Maximum Strength	Astral Moisturising Cream
Anadin Analgesic Tablets	Astroplast Analgesic Capsules
Anadin Extra Analgesic Tablets	Atensine Tablets 2 mg
Anadin Extra Soluble	Atensine Tablets 5 mg
Anadin Ibuprofen Tablets	Atensine Tablets 10 mg
Anadin Paracetamol Tablets	Ativan Tablets 1 mg
Anadin Tablets Soluble	Ativan Tablets 2.5 mg
Anaflex Cream	Atrixo
Andrews Answer	Audax Ear Drops
Andrews Antacid Tablets	Autan Insect Repellent
Andrews Liver Salts Effervescent Powder	Aveeno Baby
Andrews Liver Salts (Diabetic Formula) Effervescent Powder	Aveeno Bar
Andursil Liquid	Aveeno Bar Oilated
Andursil Tablets	Aveeno Emulave Bar
Anestan Bronchial Tablets	Aveenobar
Anethaine Cream	Ayrtons Analgesic Balm
Aneurone Mixture	Ayrtons Macleans Formula Tablets
Angiers Junior Aspirin Tablets	B Complex Capsules (Rodale)
Angiers Junior Paracetamol Tablets	B Complex Super Capsules (Rodale)
Anorvit Tablets	B Extra Tablets (British Chemotherapeutic Products)
Antasil Liquid	Babezone Syrup
Antasil Tablets	Baby Chest Rub Ointment (Cupal)
Anthisan Cream	Babylix Syrup
Antistin-Privine Nasal Drops	Babysafe Tablets
Antistin-Privine Nasal Spray	Badedas Bath Gelee
Antitussive Linctus (Cox)	Balm of Gilead (Robinsons)
Antoin Tablets	Balm of Gilead Cough Mixture (Wicker Herbal Stores)
Antussin Liquid (Sterling Winthrop)	Balm of Gilead Liquid (Culpeper)
Anxon Capsules 15 mg	Balm of Gilead Mixture (Potters)
Anxon Capsules 30 mg	Balneum Bath Treatment 150ml pack
Anxon Capsules 45 mg	Balneum Plus Bath Treatment 150ml pack
Aperient Tablets (Brome & Schimmer)	Banfi Hungarian Hair Tonic
Aperient Tablets (Kerbina)	Banimax Tablets
Apodorm Tablets 2.5 mg	Barker's Liquid of Life Solution
Apodorm Tablets 5 mg	Barker's Liquid of Life Tablets
APP Stomach Powder	Barkoff Cough Syrup
APP Stomach Tablets	Barnes - Hind Cleaning and Soaking Solution
Applefords Gluten-Free Rice Cakes	Barnes - Hind Intensive Cleaner
Arnica Lotion	Barnes - Hind No 4 Cleaner
Arocin Capsules	Barnes - Hind Wetting and Soaking Solution
Arret Capsules	Bausch and Lomb Cleaning Tablets
Ascorbef Tablets	Bausch and Lomb Concentrated Cleaner (for Hard Lenses)
Ascorbic Acid & Hesperidin Capsules (Regent Laboratories)	Bausch and Lomb Daily Lens Cleaner
Asilone Antacid Liquid	Bausch and Lomb Saline Solution
Asilone Antacid Tablets	Bausch and Lomb Soaking and Wetting Solution
Asilone Orange Tablets	Bayer Aspirin Tablets 300 mg
Askit Capsules	BC500 Tablets
Askit Powders	BC500 with Iron Tablets
Askit Tablets	BC500 Vitamin Sachets effervescent
Aspergum Chewing Gum Tablets 227 mg	Becosym Forte Tablets
Aspirin Chewing-Gum Tablets 227 mg	Becosym Syrup
Aspirin Tablets, Effervescent Soluble 300 mg	Becosym Tablets
Aspirin Tablets, Effervescent Soluble 500 mg	Becotab Tablets
Aspirin Tablets, Slow (Micro-Encapsulated) 648 mg	Bee Health Propolis Capsules
Aspro Clear Extra Tablets	Beecham Analgesic Cream
Aspro Clear Tablets	Beechams Catarrh Capsules
Aspro Extra Strength Tablets 500 mg	Beechams Day Nurse Capsules
Aspro Junior Tablets	Beechams Day Nurse Syrup
Aspro Microfined Tablets	Beechams Night Nurse Capsules
Aspro Paraclear Junior Tablets	
Aspro Paraclear Tablets	

**DRUGS AND OTHER SUBSTANCES NOT TO BE PRESCRIBED UNDER THE NHS
PHARMACEUTICAL SERVICES**

Beechams Night Nurse Cold Remedy	Biocare Biogard Capsules
Beechams Pills	Biocare Bio-Cysteine Capsules
Beechams Powders	Biocare Bio-Magnesium Capsules 100mg
Beechams Powders Capsule Form	Biocare Bio-Manganese Capsules
Beechams Powders Mentholated	Biocare Bio-Plex Powder
Beechams Powders Tablet Form	Biocare Butyric Acid Compound Capsules
Beehive Balsam	Biocare Calcidophilus Capsules
Bekovit Tablets	Biocare Calcium EAP2 Capsules
Belladonna and Ephedrine Mixture, Paediatric, BPC	Biocare Candistatin Capsules
Bellocarb Tablets	Biocare Catalase Compound Liquid
Bemax Natural Wheatgerm	Biocare Cervagyn Vaginal Cream
Benadon Tablets 20 mg	Biocare Cellguard Forte Capsules
Benadon Tablets 50 mg	Biocare CG233 Capsules
Benafed Linctus	Biocare Children's Multi Vitamin/Mineral Capsules
Benerva Compound Tablets	Biocare Cholesteraze Capsules
Benerva Injection 25 mg/ml	Biocare Chromium Polynicotinate Liquid
Benerva Injection 100 mg/ml	Biocare Colleginase Capsules
Benerva Tablets 3 mg	Biocare Colon Care Capsules
Benerva Tablets 10 mg	Biocare Cystoplex Powder
Benerva Tablets 25 mg	Biocare Dermasorb Skin Cream
Benerva Tablets 50 mg	Biocare Digestaid Capsules
Benerva Tablets 100 mg	Biocare DMSA Capsules
Benerva Tablets 300 mg	Biocare Efaplex Linseed/GLA Blend Capsules
Bengers Food	Biocare Enteroplex Powder
Bengue's Balsam	Biocare Eradicin Forte Capsules
Benylin Chesty Coughs Original	Biocare Femforte Capsules
Benylin Children's Coughs	Biocare Garlicin Capsules
Benylin Children's Cough Linctus	Biocare GLA Complex Tablets
Benylin Cough & Congestion	Biocare GLA/Co Q10 Catalase Capsules
Benylin Day & Night Tablets	Biocare Glutenzyme Capsules
Benylin Day & Night Cold Treatment	Biocare Hep 194 (Hepaguard) Capsules
Benylin Dry Coughs Original	Biocare HCL Pepsin Capsules
Benylin Expectorant	Biocare Histazyme Capsules
Benylin Fortified Linctus	Biocare IMU Power Pack
Benylin Mentholated Cough & Decongestant Linctus	Biocare Int B2 Bifidophilus Bacterium Powder
Benylin Non-Drowsy Cough Linctus	Biocare Iron EAP2 Capsules
Benylin Paediatric	Biocare Kalmar Capsules
Benylin with Codeine	Biocare Lactase Enzyme Liquid
Benzedrex Inhaler	Biocare Ligazyme Capsules
Benzoin Inhalation BP	Biocare Linseed Oil Emulsifying Capsules
Bepro Cough Syrup	Biocare Lipazyme Capsules
Beres Drops Plus	Biocare Lipo-Plex Capsules
Bergasol After Sun Soother	Biocare Lipo-Plex Co-Q10 EPA/DHA Capsules
Bergasol Ultra Protection Tanning Lotion	Biocare Magnesium Calcium 2:1 Capsules
Best Royal Jelly Capsules	Biocare Magnesium EAP2 Capsules
Beta Carotene Capsules (Nutri Imports & Exports)	Biocare Mega GLA Complex Capsules 163mg
Biactol Anti-Bacterial Face Wash	Biocare Molybdenum Liquid
Bile Beans Formula 1 Pill	Biocare Multi-Mineral Complex Capsules
Bio-Antioxidant Tablets	Biocare Multivitamin Mineral Capsules
Biocare Acidophilus Powder	Biocare Mycopryl 250 Junior Strength Capsules
Biocare AD206 (Adreno-Zyme) Capsules	Biocare Mycopryl 400 Capsules
Biocare Allicin Compound Capsules	Biocare Mycopryl 680 Capsules
Biocare Amino-Plex Capsules	Biocare N-Acetyl Glucosamine Capsules
Biocare Artemisia Compound Capsules	Biocare NT 188 (Neurotone) Capsules
Biocare ATP Factor Capsules	Biocare Organic Selenium Capsules 100mcg
Biocare Beetroot Concentrate (Bioflavour Complex) Capsules	Biocare Oxy-B15 Complex Capsules
Biocare Beta-Carotene Capsules	Biocare Oxyplex Tablets
Biocare Betaine HCL/Pepsin Capsules 200/100mg	Biocare Oxy Pro Liquid
Biocare BGF Bifidophilus Growth Factor Powder	Biocare Pancrogest Capsules
Biocare Bio Acidophilus Milk Free Capsules	Biocare Paracidin (Citricidal) Oral Drops
Biocare Bio-A Emulsifying Liquid	Biocare Permatrol Capsules
	Biocare Pit-Enzyme Capsules
	Biocare Polyzyme Capsules
	Biocare Polyzyme Forte & Acidophilus Capsules

XVIII A

**DRUGS AND OTHER SUBSTANCES NOT TO BE PRESCRIBED UNDER THE NHS
PHARMACEUTICAL SERVICES**

Biocare Polyzyme Forte Capsules	Bio-Strath Elixir
Biocare Potassium Ascorbate Capsules	Biovital Tablets
Biocare Prolactazyme Capsules	Biovital Vitamin Tonic
Biocare Prolactazyme Tablets	Birley's Antacid Powder
Biocare Reduced Glutathione Capsules	Bis-Mag Lozenge
Biocare Replete Sachets	Bis-Peps Tablets
Biocare Sea Plasma Capsules 500mg	Bisma-Calna Cream
Biocare Selenium Complex Tablets 50mcg	Bisma-Rex Powder
Biocare Selenium Liquid	Bisma-Rex Tablets
Biocare Shiitake Mushroom Extract Capsules	Bismag Antacid Powder
Biocare Spectrumzyme Capsules	Bismag Tablets
Biocare TH207 (Thyro-Zyme) Capsules	Bismuth Compound Lozenges BPC
Biocare Thioproline Capsules	Bismuth Dyspepsia Lozenges
Biocare Uritol Capsules	Bismuth Pepsin and Pancreatin Tablets
Biocare Vegi-Dophilus Capsules	Bismuth, Soda and Pepsin Mixture
Biocare Vitamin B6 Capsules	Bisodol Antacid Powder
Biocare Vitamin B Compound Capsules	Bisodol Extra Tablets
Biocare Vitamin B12 Timed Release Capsules	Bisodol Tablets
Biocare Vitamin C Capsules	Bisolvomycin Capsules
Biocare Vitamin C Magnesium Ascorbate Powder	Bisolvon Elixir
Biocare Vitamin E Emulsifying Capsules	Bisolvon Tablets
Biocare Vyta Mins Capsules	Blackcurrant Cough Elixir (Thornton & Ross)
Biocare Zinc Tablets	Blackcurrant Seed Oil Capsules
Bio-Carotene Softgel Capsules	Blackcurrant Syrup Compound (Beben)
Bioflav Complex Tablets	Blackmore's Acidophilus & Pectin Tablets
Bioflav Complex + C Tablets	Blackmore's Bio C Tablets
Bioflavonoid C Capsules	Blackmore's Celloid CS36 Calcium Sulphate Tablets
Bio-Glandin 25 Capsules	Blackmore's Celloid IP82 Iron pH Tablets
Bio Harmony Sachets	Blackmore's Celloid SS69 Sodium Sulphate Tablets
Bio-Health Buffered C500 Capsules	Blackmore's Citrus C & Acerola Tablets
Bio-Health Extra Calcium Capsules	Blackmore's Duoceloid PP/MP Tablets
Bio-Health Zinc Gluconate Capsules	Blackmore's Duoceloid PS/MP Tablets
Bio-Light Slimming Food Supplement	Blackmore's Duoceloid S/CF Tablets
Bio-Quinone Q10 Softgel Capsules	Blackmore's Duoceloid SP/S Tablets
Bio-Quinone Q10 Super Softgel Capsules	Blackmore's Echinacea ACE + Zinc Tablets
Bioscal Hair Formula	Blackmore's Hypericum Tablets
Bio Science Basic Health AM Capsules	Blackmore's Sodical Plus Tablets
Bio Science Basic Health PM Capsules	Blandax Suspension
Bio Science Bio-C Powder	Blavig Tablets
Bio Science Cal-Mag Alkaline Capsules	Blood Tonic Mixture (Thompsons)
Bio Science Chelated Cal-Mag Compound Capsules	Boldolaxine Tablets
Bio Science Chelated Zinc Capsules	Bonemeal Calfos, Vit A Ester, Vit D Tablets
Bio Science Full Spectrum Aminos Powder	Bonomint Chewing Gum
Bio Science Lipid Enzyme Capsules	Bonomint Tablets
Bio Science Lo-pH Complete Spectrum Digestive Enzyme Capsules	Booth's Cough & Catarrh Elixir
Bio Science Lo-pH Digestive Enzyme Capsules	Boots Aromatherapy Massage Oil
Bio Science MSM Organic Sulphur Capsules	Boots Baby Oil
Bio Science Non-Acidic Sustained Release Vitamin C Tablets	Boots Cold Relief Powder for Solution
Bio Science Organic Iron Capsules	Boots Compound Laxative Syrup of Figs
Bio Science Pro Enzyme Capsules	Boots Cough Relief for Adults
Bio Science Pyroxidal 5 Phosphates Capsules	Boots Glucosamine Sulphate Capsules
Bio Science Selenium Plus Capsules	Boots Glycerin & Blackcurrant Soothing Cough Relief
Bio Science Timed Release Vitamin C Tablets	Boots Hard Lens Soaking Solution
Bio Science Vitamin B1 Capsules	Boots Hard Lens Wetting Solution
Bio Science Vitamin B3 Nicotinamide Capsules	Boots Health Salts
Bio Science Vitamin B5 Calcium Pantothenate Capsules	Boots Indigestion Plus Mixture
Bio Science Vitamin B6 Capsules	Boots Indigestion Powder
Bio Science Vitamin E Capsules	Boots Lip Salve
Bio-Selenium + Zinc Tablets	Boots Menthol & Wintergreen Embrocation
Bio-Strath Drops	Boots Nasal Spray
	Boots No 7 Vitamin E Skin Cream

**DRUGS AND OTHER SUBSTANCES NOT TO BE PRESCRIBED UNDER THE NHS
PHARMACEUTICAL SERVICES**

Boots Orange Drink	Cabdrivers Junior Linctus
Boots Soft Lens Cleaning Solution	Cabdrivers Nasal Decongestant Tablets
Boots Soft Lens Comfort Solution	Cadbury's Coffee Compliment
Boots Soft Lens Soaking Solution	Cafadol Tablets
Boots Soya Milk	Caffeine & Dextrose Tablets
Boots Vapour Rub Ointment	Cal-A-Cool Aftersun Moisturising Cream
Boston Lens Cleaning Solution	Caladryl Cream
Boston Lens Wetting and Soaking Solution	Caladryl Lotion
Box's Balm of Gilead Cough Mixture	Calamage
Bravit Capsules	Calcia Calcium Supplement Tablets
Bravit Tablets	Calcimax Syrup
Breoprin Tablets 648 mg	Calciate Tablets
Brewers Yeast Super B Tablets (Rodale)	Calcium Syrup (Berk Pharmaceuticals)
Brewers Yeast Tablets (3M Health Care)	Calendolon Ointment
Brewers Yeast Tablets (Phillips Yeast Products)	California Syrup of Figs
Bricanyl Compound Tablets	Calpol Extra Tablets
Bricanyl Expectorant	Calpol Infant Suspension
Brogans Cough Mixture	Calpol Six Plus Suspension
Brogans Cough Syrup	Calpol Tablets
Bromazepam Tablets 1.5 mg	Calsalettes Sugar Coated Tablets
Bromazepam Tablets 3 mg	Calsalettes Uncoated Tablets
Bromazepam Tablets 6 mg	Camfortix Linctus P1
Bromhexine Hydrochloride Elixir 4 mg/5 ml	Camphor Spirit
Bromhexine Hydrochloride Tablets 8 mg	Candacurb Capsules
Bronalin Decongestant	Candacurb-E Capsules
Bronalin Dry Cough Linctus	Canderel Intense Sweetener Spoonful
Bronalin Expectorant	Candermyl Liposome Cream
Bronalin Paediatric Cough Syrup	Cantaflour
Bronchial & Cough Mixture (Worthington Walter)	Cantamac Tablets
Bronchial Balsam (Cox)	Cantamega 1000 Tablets
Bronchial Catarrh Syrup (Rusco)	Cantamega 2000 Divided Dose Tablets ¼ Size
Bronchial Cough Mixture (Evans Medical)	Cantamega 2000 Naturtab Tablets
Bronchial Emulsion (Three Flasks) (Thornton & Ross)	Cantassium Amino M.S. Tablets
Bronchial Emulsion AS Extra Strong (Ayrton Saunders)	Cantassium Discs
Bronchial Mixture (Rusco)	Cantassium Fructose
Bronchial Mixture Extra Strong (Cox)	Cantassium Multivitamin Tablets
Bronchial Mixture Sure Shield Brand	Capramin Tablets
Bronchial Tablets (Leoren)	Caprystatin Capsules
Bronchialis Mist Liquid (Industrial Pharmaceutical Services)	Carbellon Tablets
Bronchialis Mist Nig Double Strength (Phillip Harris Medical)	Carbo-Cort Cream
Bronchisan Childrens Cough Syrup	Carisoma Compound Tablets
Bronchisan Cough Syrup	Carnation Coffeemate
Broncholia Mixture	Carnation Slender Meal Replacement (All Flavours)
Bronchotone Solution	Carrzone Powder
Bronkure Cough & Bronchitis Mixture (Jacksons)	Carters Little Pills
Brontus Syrup	Carylderm Shampoo
Brontus Syrup for Children	Cascara Evacuant Liquid Mixture
Brontussin Cough Suppressant Mixture	Cascara Tablets BP
Brooklax Tablets	Castellan No 10 Cough Mixture
Brotizolam Tablets 0.125 mg	Catarrh & Bronchial Syrup (Thornton & Ross)
Brotizolam Tablets 0.25 mg	Catarrh Cough Syrup (Boots)
Bufferin Tablets	Catarrh Mixture (Herbal Laboratories)
Build-Up (Nestle Health Care)	Catarrh Syrup for Children (Boots)
Buttercup Baby Cough Linctus	Catarrh Tablets (Cathay)
Buttercup Syrup	Catarrh-Ex Tablets
Buttercup Syrup Honey and Lemon	Ce-Cobalin Syrup
	Ceeyees Tablets
	Celaton Rejuvenation Tablets
	Celaton CH3 Strong & Calm Tablets
	Celaton CH3 Triplus Tablets
	Celaton CH3 + Ease & Vitality Tablets
	Celaton Whole Wheat Germ Capsules
Cabdrivers Adult Linctus	Celavit 1 Powder
Cabdrivers Diabetic Linctus	

**DRUGS AND OTHER SUBSTANCES NOT TO BE PRESCRIBED UNDER THE NHS
PHARMACEUTICAL SERVICES**

Celavit 2 Powder	Clinique Continuous Coverage
Celavit 3 Powder	Clinique Crystal Clear Cleaning Oil
Celevac Granules	Clinique Dramatically Different Moisturising Lotion
Centrax Tablets 10 mg	Clinique Facial Mild Soap
Cephos Powders	Clinisan Skin Cleansing Foam
Cephos Tablets	Clinisan Skin Cleansing Foam Aerosol 500ml
Cetaphil Lotion	Clorazepate Dipotassium Capsules 7.5 mg
Charabs Tablets	Clorazepate Dipotassium Capsules 15 mg
Charvita Tablets	Clorazepate Dipotassium Tablets 15 mg
Cheroline Cough Linctus	Co-op Aspirin Tablets BP 300 mg
Cherry Bark Cough Syrup Childrens (Loveridge)	Co-op Bronchial Mixture
Cherry Bark Linctus Adults (Loveridge)	Co-op Halibut Liver Oil Capsules BP
Cherry Cough Balsam (Herbal Laboratories)	Co-op Paracetamol Tablets BP 500 mg
Cherry Cough Linctus (Savoury & Moore)	Co-op Soluble Aspirin Tablets BP 300 mg
Cherry Cough Mixture (Rusco)	Cobalin H Injection 250 mcg/ml
Cherry Flavoured Extract of Malt (Distillers)	Cobalin H Injection 1000 mcg/ml
Chest & Cough Tablets (Brome & Schimmer)	Cobalin Injection 100 mcg/ml
Chest & Cough Tablets (Kerbina)	Cobalin Injection 250 mcg/ml
Chest & Throat Tablets No 8,000 (English Grains)	Cobalin Injection 500 mcg/ml
Chest Pills (Brome & Schimmer)	Cobalin Injection 1000 mcg/ml
Chest Tablets (Kerbina)	Coda - Med Tablets
Chesty Cough Syrup (Scott & Browne)	Cod Liver Oil & Creosote Capsules (5 Oval) (R P Scherer)
Chickweed Ointment	Cod Liver Oil & Creosote Capsules (10 Oval) (R P Scherer)
Chilblain Tablets (Boots)	Cod Liver Oil Caps 10 Minims (Woodward)
Child's Cherry Flavoured Linctus (Cupal)	Cod Liver Oil High Potency Capsules (R P Scherer)
Children's Blackcurrant Cough Syrup (Rusco)	Cod Liver Oil with Malt Extract & Hypophosphite Syrup (Distillers)
Children's Cherry Cough Syrup (Thornton & Ross)	Cod Liver Oil 0.3 ml Capsules (R P Scherer)
Children's Cough Linctus (Ransoms)	Cod Liver Oil 0.6 ml Capsules (R P Scherer)
Children's Cough Mixture (Beecham)	Codalax
Children's Cough Mixture (Loveridge)	Codalax Forte
Children's Cough Syrup (Ayrton Saunders)	Codanin Analgesic Tablets
Children's Cough Syrup (Cox)	Codis Soluble Tablets
Children's Cough Syrup (Evans Medical)	Codural Tablets
Children's Cough Syrup (Thornbers)	Cojene Tablets
Children's Medicine Liquid (Hall's)	Cold & Influenza Capsules (Regent Laboratories)
Children's Phensic Tablets	Cold & Influenza Mixture (Boots)
Children's Wild Cherry Cough Linctus (Evans Medical)	Cold & Influenza Mixture (Davidson)
Chilvax Tablets	Cold & Influenza Mixture (Rusco)
Chlorasol Sachets	Cold & Influenza Mixture (Thornton & Ross)
Chocolate Laxative Tablets (Isola)	Cold Relief (Blackcurrant Flavour) Granular Powder (Boots)
Chocovite Tablets	Cold Relief Capsules (Scott & Bowne)
Christy's Rich Lanolin	Cold Relief Tablets (Boots)
Christy's Skin Emulsion	Cold Tablets (Roberts)
Cidal	Coldrex Powder
Cidex Longlife	Coldrex Tablets
Cidex Sterilising Solution	Colgard Emergency Essence (Lane Health Products)
Cinnamon Essence Medicinal Mixture (Langdale)	Colgate Dental Cream with MFP Fluoride
Cinnamon Tablets Medicinal (Langdale)	Colgate Disclosing Tablets
Cinota Drops	Collins Elixir
Citrosan Powder	Colocynth & Jalap Tablets Compound BPC 1963
Claradin Effervescent Tablets	Colocynth Compound Pills BPC 1963
Clara's Kitchen Gluten-Free Porridge	Cologel Liquid
Clarityn Allergy	Communion Wafers
Clarkes Blood Mixture	Complan
Clean and Soak	Comploment Continus Tablets
Cleansing Herb Dried (Potters)	Compound Fig Elixir BP
Cleansing Herbs (Brome & Schimmer)	Compound Rhubarb Oral Powder BP
Cleansing Herbs Powder (Dorwest)	Compound Rhubarb Tincture BP
Clen-Zym Tablets	Compound Syrup of Glycerophosphates BPC 1963
Clerz Lubricating and Rewetting Eye Drops	
Clerz Lubricating Cleaning and	
Comfort Sachets	
Clinique Clarifying Lotion	

**DRUGS AND OTHER SUBSTANCES NOT TO BE PRESCRIBED UNDER THE NHS
PHARMACEUTICAL SERVICES**

Compound Syrup of Hypophosphites BPC 1963	Cow & Gate Follow-On Babymilk Step Up
Comtrex Capsules	Cow & Gate Junior Meal
Comtrex Liquid	Cow & Gate Olvarit Stage Two Main Course
Comtrex Tablets	Cow & Gate Premium Baby Food
Concavit Capsules	Cox Pain Tablets
Concavit Drops	Crampex Tablets
Concavit Injection	Cranberry Juice
Concavit Syrup	Cream of Magnesia Tablets 300 mg
Confiance Dietary Supplement Tablets	Cremaffin Emulsion
Congreves Balsamic Elixir	Cremaffin Balm
Constipation Herb Dried (Potters)	Creosote Bronchial Mixture (Loveridge)
Constipation Herbs (Hall's)	Crookes One-a-Day Multivitamins with Iron
Constipation Herbs (Mixed Herbs) (Brome & Schimmer)	Crookes One-a-Day Multivitamins without Iron
Constipation Mixture No 105 (Potters)	Crookes Wheat Germ Oil Capsules
Contact 400 Capsules	Croupine Cough Syrup (Roberts)
Contact Coughcaps	Crusha Milk Shake Syrup
Contactclean Cleaning Solution	Cullen's Headache Powders
Contactsoak Disinfecting and Soaking Solution	Culpepper Healing Ointment
Contactasol O2 Care Solution	Culpepper Rheumatic Cream
Contactasol Complete Care All-In-One Solution	Cupal Health Salts
Contactasol Solar Saline Spray	Cupal Nail Bite Lotion
Contactasol Wetting Solution	Cuprofen Soluble Tablets
Copholco Cough Syrup	Cuprofen Tablets
Copholoids	Cuticura Medicated Foam Bath
Coppertone Apres Plage Aftersun Milk	Cuticura Talcum Powder
Coppertone Children's Cream SPF25	Cyanocobalamin Solution (any strength)
Coppertone Children's Lotion SPF15	Cytacon Liquid
Coppertone Dark Tanning Lotion SPF4	Cytacon Tablets
Coppertone Sun Tanning Lotion SPF6	Cytamen 250 Injection
Coppertone Water Resistant Tanning Cream SPF8	Cytamen 1000 Injection
Co-Q10 Tablets	Cytoplan Acidophilus Capsules (Milk Free)
Core Level Adrenal Tablets	Cytoplan Acidophilus/Bifidophilus 50%/50% Capsules
Core Level Auto Sym Tablets	Cytoplan Aloe Vera Concentrate
Core Level C Timed Release Tablets	Cytoplan Betaine & Pepsin Capsules 345mg/10mg
Core Level Health Reserve Tablets	Cytoplan Bifidophilus Extra Tablets
Core Level Ilioduodenal Tablets	Cytoplan Biotin Capsules 100mcg
Core Level Magnesium Tablets	Cytoplan Children's Chewable Mineral/Vitamin Tablets
Core Level Zinc Tablets	Cytoplan Choline/Inositol Capsules 250mg/250mg
Corrective Tablets (Ayrton Saunders)	Cytoplan Co-Factor Compound Plus Capsules
Correctol Tablets	Cytoplan Cytocleanse Formula Capsules
Cosalgesic Tablets	Cytoplan Cytomin Mineral/Vitamin Tablets
Cosylan Syrup	Cytoplan Cytoplex Tablets
Coterpil Syrup	Cytoplan Cytophilus Milk Free Capsules
Cough & Bronchitis Mixture (Davidson)	Cytoplan De-Toxifying Compound Capsules
Cough & Cold Mixture (Beecham)	Cytoplan Dolomite Magnesium Carbon Calcium Carbon Tablets
Cough Balsam (Abernethy's)	Cytoplan EPA Capsules
Cough Balsam (Thornbers)	Cytoplan Iron Extra Tablets
Cough Expectorant Elixir (Regent Laboratories)	Cytoplan Lecithin Capsules
Cough Linctus (Sanderson's)	Cytoplan Magnesium Ascorbic Capsules
Cough Linctus Alcoholic (Thomas Guest)	Cytoplan Magnesium/Calcium Capsules 250mg/250mg
Cough Linctus for Children (Boots)	Cytoplan Magnesium Citric Capsules
Cough Medicine for Infants & Children Solution (Boots)	Cytoplan Magnesium Complex Capsules
Cough Mixture (Tingles)	Cytoplan Manganese Complex Capsules
Cough Mixture Adults (Thornton & Ross)	Cytoplan Multex Multivitamin and Mineral Formulation
Cough Mixture Adults (Wicker Herbal Stores)	Cytoplan Pantothenic Acid Tablets
Cough Syrup Best (Diopharm)	Cytoplan Potassium Pantothenate Capsules
Cough Tablets (Kerbina)	Cytoplan Pryoxidal-5-pH Complex Capsules
Country Basket Rice Cakes	Cytoplan Selenium Capsules
Covermark Removing Cream	Cytoplan Supermag-Plus Capsules
Covonia Bronchial Balsam Linctus	
Cow & Gate Babymeals Stage One	
Cow & Gate Baby Milk Plus	

**DRUGS AND OTHER SUBSTANCES NOT TO BE PRESCRIBED UNDER THE NHS
PHARMACEUTICAL SERVICES**

Cytoplan Vitamin A Capsules	Dextromethorphan Hydrobromide Solution 7.5 mg/5 ml
Cytoplan Vitamin C 1000mg + Bioflavour 50mg Capsules	Dextromethorphan Hydrobromide Syrup 6.6 mg/5 ml
Cytoplan Vitamin C Powder	Dextromethorphan Hydrobromide Syrup 13.5 mg/5 ml
Cytoplan Vitamin E Capsules	Dextropropoxyphene & Paracetamol Dispersible Tablets
Cytoplan Zinc Lozenge Wafers	Dextropropoxyphene & Paracetamol Soluble Tablets
Dakin's Golden Vitamin Malt Syrup	DF 118 Elixir
Daktarin Cream 15g	DF 118 Tablets
Daktarin Powder	DGL 1 Suspension
Daktarin Twin Pack	DGL 2 Suspension
Dalivit Capsules	DGT 1 Tablets
Dalivit Syrup	DGT 2 Tablets
Dalmane Capsules 15 mg	DHL Rheumatic Massage Cream
Dalmane Capsules 30 mg	Diabetic Bronal Syrup
Dansac Skin Lotion	Dialar Forte Syrup 5 mg/5 ml
Davenol Linctus	Dialar Syrup 2 mg/5 ml
Daxaids Tablets	Dialume Capsules 500 mg
Day-Vits Multivitamin & Mineral Tablets	Diazepam Capsules, Slow 10 mg
Dayovite	Diazepam Elixir 5 mg/5 ml
De Witt's Analgesic Pills	Diazepam Oral Solution 5mg/5ml
De Witt's Antacid Powder	Diazepam Oral Suspension 5mg/5ml
De Witt's Antacid Tablets	Dietade Diabetic Jam
De Witt's Baby Cough Syrup	Dietade Diabetic Marmalade
De Witt's Cough Syrup	Dietade Diabetic Squash
De Witt's PL Pills	Dietade Dietary Foods Fruit Sugar
Dead Sea Natural Mineral Soap	Dietade Fruit Sugar
Deakin & Hughes Cough & Cold Healer Mixture	Dietade Jelly Crystals
Deakin's Fever & Inflammation Remedy Mixture	Digesprin Antacid Tablets
Delax Emulsion	Digestells Lozenges
Delial Lotion SPF2	Dihydroxyaluminium Sodium Carbonate Tablets
Delial Lotion SPF6 Water Resistant	Dijex Liquid
Delimon	Dijex Tablets
Deltasoralen Bath Lotion	Dimotane Expectorant
Dencyl Spansules	Dimotane Expectorant DC
Dentakit Toothache First Aid Kit	Dimotane with Codeine Elixir
Dentu-Hold Liquid	Dimotane with Codeine Paediatric Elixir
Derbac C Shampoo	Dimotapp Elixir
Derbac Soap	Dimotapp Elixir Paediatric
Derl Dermatological Soap	Dimotapp LA Tablets
Dermablend Chromatone Fade Creme Plus	Dimotapp P Tablets
Dermablend Cleanser/Remover	Dimyrl Linctus
Dermablend Maximum Moisturiser	Dinnefords Gripe Mixture
Dermablend Quick Fix Concealment Stick	Diocalm Ultra Capsules
Dermacolor Body Cover	Dioctyl Ear Drops
Dermacolor Cleansing Cream	Disprin Direct Tablets
Dermacolor Cleansing Lotion	Disprin Extra Tablets
Dermacolor Cleansing Milk	Disprin Solmin Tablets
Dermacolor 6 Colour Palette	Disprin Tablets
Dermacolor Creme Effective No.2	Disprinex Tablets
Dermacolor Fixier Spray	Disprol Infant Suspension
Dermacolor Skin Plastic	Disprol Junior Tablets Soluble
Dermacort Cream	Distalgesic Soluble Tablets
Dermalex Skin Lotion	Distalgesic Tablets
Dermidex Dermatological Cream	Ditemic Spansules
Dermo-Care Soapless Soap	Do-Do Linctus
Desiccated Liver Tablets	Do-Do Tablets
Desiccated Liver USNF Tablets	Dolasan Tablets
Detox Tablets (Hursdrex)	Doloxene Capsules
Dettox Antibacterial Cleanser	Doloxene Compound Pulvules
Dextro Energy Glucose Tablets	Dolvan Tablets
Dextrogesic Tablets	
Dextromethorphan Hydrobromide Solution 3.75 mg/5 ml	

**DRUGS AND OTHER SUBSTANCES NOT TO BE PRESCRIBED UNDER THE NHS
PHARMACEUTICAL SERVICES**

Dorbanex Capsules	Earthlore Vitamin B Compound Tablets
Dorbanex Liquid	Ecologic 315 Granules
Dorbanex Liquid Forte	Ecdilyn Syrup
Dormonoct Tablets 1 mg	Educol Tablets
Dove Cleansing Bar	Efamol
Dr Brandreth's Pills	Efamol Capsules
Dr D E Jongh's Cod Liver Oil with Malt Extract & Vitamins Fortified Syrup	Efamol Marine Capsules
Dr William's Pink Pills	Efamol Oil
Dragon Balm	Efamol Plus Capsules
Drastin Tablets	Efamol Plus Evening Primrose Oil & Coenzyme Q10 Capsules
Dristan Decongestant Tablets with Antihistamine	Efamol PMP
Dristan Nasal Spray	Efamolia Enriched Moisture Cream
Droxalin Tablets	Efamolia Moisture Cream
Dry Cough Linctus (Scott & Bowne)	Efamolia Night Cream
Dual-Lax Extra Strong Tablets	Efavite Tablets
Dual-Lax Tablets	Efavite Vitamin & Zinc Supplement Tablets
Dubam Cream	Effer-C Tablets
Dubam Spray Relief	Effic Syrup
Dulca Tablets	Elagen
Dulcodos Tablets	Eldermint Cough Mixture (Herbal Laboratories)
Dulco-Lax Suppositories	Elgydium Toothpaste
Dulco-Lax Tablets	Elizabeth Arden Flawless Finish
Duo-Gastritis Mixture (Baldwin's)	Elizabeth Arden Sunblock Cream Factor 15
Duphalac Syrup	Elizabeth Arden Sunscience Superblock Cream spf 34
Duralin Capsules Extra Strength	Elkamol Tablets
Duralin Tablets	Ellimans Universal Embrocation
Dusk Insect Repellent Cream	Elsan Blue Liquid
Duttons Cough Mixture	Emuwash
Dynese Aqueous Suspension	Endet Powders
Dynese Tablets	Ener-G Gluten-free and Soya-free Macaroon Cookies
D001 Capsules	Ener-G Gluten-free Rice and Peanut-Butter Cookies
D002 Capsules	Ener-G Gluten-free Rice Walnut Cookies
D004 Capsules	Energen Starch Reduced Crispbread
D006 Capsules	Enfamil Human Milk Fortifier
D007 Capsules	English Grains Mixed Gland Compound Tablets
D009 Capsules	English Grains Red Kooga Multivitamins & Minerals
D010 Capsules	Engran HP Tablets
D011 Capsules	Engran Tablets
D012 Capsules	Eno Fruit Salts
D013 Capsules	Enzyme Process Achol Tablets
D014 Capsules	Enzyme Process Enzastatin Tablets
D017 Capsules	Enzyme Process Liver Tablets
D018 Capsules	Enzyme Process Pancreas 523 Tablets
D019 Capsules	Enzyme Process Pro-T-Compound Tablets
D020 Capsules	Enzyme Process Vitamin B12 + Liver Tablets
D021 Capsules	EP Tablets
D024 Capsules	EPOC Capsules
D029 Capsules	Equagesic Tablets
D030 Capsules	Equisorb High Fibre Guar Bread Rolls
D031 Capsules	Eskamel Cream
D032 Capsules	Eskornade Spansule Capsules
D033 Capsules	Eskornade Syrup
D034 Capsules	Eso-Col Cold Treatment Tablets
D036 Capsules	Esoterica Fortified Cream
Earex Ear Drops	Essentia Special E Cream
Earthdust Aged Garlic Tablets	Ester-C Powder
Earthdust Capricin Forte Capsules	Ester-C Tablets
Earthdust Formula 1 Capsules	Euhypnos Capsules 10 mg
Earthdust Pro-Biotic New Complex Powder	Euhypnos Elixir 10 mg/5 ml
Earthdust Super-Pro-Bifidus Powder	
Earthdust Super-Pro-Dophilus Powder	

**DRUGS AND OTHER SUBSTANCES NOT TO BE PRESCRIBED UNDER THE NHS
PHARMACEUTICAL SERVICES**

Euhypnos Forte Capsules 20 mg	Fenox Nasal Drops
Evacalm Tablets 2 mg	Fenox Nasal Spray
Evacalm Tablets 5 mg	Feospan Spansule Capsules
Evans Cough Balsam	Ferfolc SV Tablets
Evening Primrose Oil	Ferfolc Tablets
Evening Primrose Oil Capsules	Fergluvite Tablets
Evian Mineral Water	Fergon Tablets
Evident Disclosing Cream	Ferraplex B Tablets
Ex-Lax Chocolate Laxative Tablets	Ferrlecit Tablets/Dragees
Ex-Lax Pills	Ferrocip Capsules
Expectorant Cough Mixtures (Beecham)	Ferrocip F-350 Capsules
Expulin Cough Linctus	Ferroglobin B12 Vitamin/Mineral Compound
Expulin Decongestant Linctus for Babies & Children	Ferrograd C Tablets
Expulin Paediatric Cough Linctus	Ferrol
Extil Compound Linctus	Ferrol Compound Mixture
Extravite Tablets	Ferromyn B Elixir
Extren Tablets	Ferromyn B Tablets
Exyphen Elixir	Ferrous Gluconate Compound Tablets
E001 Capsules	Ferrous Sulphate Compound Tablets BP
E015 Capsules	Fesovit Spansules
E018 Capsules	Fesovit Z Spansules
E021 Capsules	Fibre Biscuits
E031 Capsules	Fibrosine Analgesic Balm
E032 Capsules	Fiery Jack Cream
	Fiery Jack Ointment
	Filetti Sensitive Skin Soap
	Finasteride 1mg Tablets
Fade Out Skin Lightening Cream	Fine Fare Aspirin Tablets 300 mg
Fairy Household Liquid	Fine Fare Hot Lemon Powders
Falcodyl Linctus	Fink Linusit Gold Pure Golden Linseeds
Falkamin	Flar Capsules
Fam Lax Tablets	Flavelix Syrup
Famel Expectorant	Flexcare Soft Lens Solution
Famel Linctus	Flexsol Solution
Famel Original Linctus	Flora Margarine
Family Cherry Flavoured Linctus (Cupal)	Floradix Formula Liquid
Family Health Multivitamin Tablets	Floradix Tablets
Family Herbal Pills	Floral Arbour Tablets (Cathay)
Fanalalgic Syrup	Flucaps
Fanalalgic Tablets	Flunitrazepam Tablets 1 mg
Farex Fingers	Fluralar Capsules 15 mg
Farley's Farex Weaning Food	Fluralar Capsules 30 mg
Farley's First Milk	Flurazepam Capsules 15 mg
Farley's Follow-On Milk	Flurazepam Capsules 30 mg
Farley's Premcare Ready-to-Feed	Flurazepam Hydrochloride Capsules 15 mg
Farleys Rusks	Flurazepam Hydrochloride Capsules 30 mg
Farley's Tea Timer	Flu-Rex Tablets
Father Pierre's Monastery Herbs	Flurex Bedtime Cold Remedy
Fe-Cap C Capsules	Flurex Capsules
Feac Tablets	Flurex Decongestant Inhalant Capsules
Feen-a-Mint Tablets	Flurex Hot Lemon Concentrate
Fefol Spansule Capsules	Flurex Tablets
Fefol-Vit Spansules	Folex-350 Tablets
Fefol Z Spansule Capsules	Folicin Tablets
Femafen Capsules	Folped
Femerital Tablets	Foresight Tablets Mineral Formula
Femeron Cream	Foresight Tablets Vitamin (Multivitamins)
Feminax Tablets	Formula M.E. (Multiple Elevator) No 1 Capsules
Fendamin Tablets	Formula M.E. (Multiple Elevator) No 2 Capsules
Fennings Adult Cooling Powders	Formula M.E. (Multiple Elevator) No 3 Capsules
Fennings Children's Cooling Powders	Formule B Spot Treatment Roll On
Fennings Little Healers Pills	Formulix
Fennings Mixture	Forprin Tablets
Fennings Soluble Junior Aspirin Tablets	Fortagesic Tablets

**DRUGS AND OTHER SUBSTANCES NOT TO BE PRESCRIBED UNDER THE NHS
PHARMACEUTICAL SERVICES**

Fortespan Spansules	Gericare Multivitamin & Mineral Capsules
Fort-E-Vite Capsules	Gerimax Original Korean Panax Ginseng with Vitamins, Minerals and Amino Acid.
Fort-E-Vite 1000 Capsules	Geriplex Capsules
Fort-E-Vite Cream	Germolene Ointment
Fort-E-Vite Plus Capsules	Gevral Capsules
Fort-E-Vite Super Plus Capsules	Gevral Tablets
Fortison Low Sodium	Ginkgo Biloba Extract Capsules 40mg
Fortral Capsules 50 mg	Ginkgo Biloba Liquid
Fortral Injection	Givitol Capsules
Fortral Suppositories	Gladlax Tablets
Fortral Tablets 25 mg	Glemony Balsam (Baldwin's)
Fortral Tablets 50 mg	Glenco Elixir
Fortris Solution	Gluca-Seltzer Effervescent Powder
Fosfor Syrup	Glucodin
Franol Expectorant	Glutafin Gluten-Free Chocolate Chip Cookies
Franolyn Sed Liquid	Glutafin Gluten-Free Custard Cream Biscuits
Frisium Capsules 5 mg	Glutafin Gluten-Free Gingernut Cookies
Frisium Capsules 10 mg	Glutafin Gluten-Free Milk Chocolate Biscuits
Frisium Capsules 20 mg	Glutafin Gluten-Free Milk Chocolate Digestive Biscuits
FSC Betaine HCL Capsules	Glutafin Gluten-Free Shortcake Biscuits
FSC Beta Plus Capsules	Glutano Gluten-Free Chocolate Hazelnut Wafer Bar
FSC Evening Primrose Oil + Vitamin E Cream	Glutano Gluten-Free Muesli
FSC Lactobacillus Acidophilus Capsules	Glutano Gluten-Free Pretzel
FSC Multivitamin Addlife For Over 50s Capsules	Glutano Gluten-Free Wafer
FSC Natural Vitamin E Capsules	Glutano Gluten-Free Wafer, Cream Filled
FSC Organic Linseed Oil Capsules	Glycerin Honey & Lemon Cough Mixture (Isola)
FSC Super B-Supreme High-Potency Tablets	Glycerin Honey & Lemon Linctus (Boots)
FSC Super Calcium 200mg + Vitamin A & D Tablets	Glycerin Honey & Lemon Linctus with Ipecacuanha (Boots)
FSC Vitamin B6 Tablets	Glycerin Lemon & Honey and Ipecacuanha (Thomas Guest)
FSC Vitamin D 400u	Glycerin Lemon & Honey Linctus (Rusco)
Fybranta Tablets	Glycerin Lemon & Honey Syrup (Cupal)
Fynnon Calcium Aspirin Tablets	Glycerin Lemon & Honey Syrup (Thomas Guest)
Fynnon Salt	Glycerin Lemon & Honey Syrup (Waterhouse)
	Glycerin Lemon & Ipecacuanha Cough Mixture (Isola)
G Brand Linctus	Glykola Infants Elixir
Galake Tablets	Glykola Tonic
Gale's Honey	Glymiel Hand Care
Gaffer-Vit Capsules	Goat's Milk Spray Dried Powder
Galloway's Baby Cough Linctus	Goddard's White Oils Embrocation
Galloway's Bronchial Cough Care	Golden Age Vitamin & Mineral Capsules
Galloway's Bronchial Expectorant	Golden Health Feverfew Tablets
Galloway's Cough Syrup	Golden Health Super Sea Kelp Tablets
Gammolin Capsules	Golden Health Tablets (Kerbina)
Gamophase Gamolenic Acid Capsules	Golden Health Tablets (Brome & Schimmer)
Gamophen	Gon Tablets
Gastalar Tablets	Gonfalcon Tablets
Gastric Ulcer Tablets No 1001	Grangewood Insomnia Tablets
Gastrils Pastilles	Granogen
Gastritabs	Granose Liquid Soya Milk
Gastrovite Tablets	Granose Soya Yogert
Gatinar Syrup	Granoton Emulsion
Gaviscon Granules	Gratis Gluten-Free Tricolour Pasta
Gaviscon 250 Tablets	Gregovite C Tablets
Gelusil Lac Powder	GS Tablets
Gelusil Tablets	Guaiphenesin Syrup (any strength)
Genasprin Tablets	Guanor Expectorant
Genatosan	Gynovite Plus Nutritional Supplement Tablets
Gentian Acid Mixture with Nux Vomica	
Gentian Alkaline Mixture with Nux Vomica	
Gentian & Rhubarb Mixture BPC	
Georges Vapour Rub Ointment	
Gericaps Capsules	

**DRUGS AND OTHER SUBSTANCES NOT TO BE PRESCRIBED UNDER THE NHS
PHARMACEUTICAL SERVICES**

H-Pantoten Tablets	Healthcrafts Natural Vitamin C 1g Tablets (High Potency)
Hactos Chest & Cough Mixture (Thomas Hubert)	Healthcrafts Prolonged Release Nutrition Mega-B6 Tablets
Halaurant Syrup	Healthcrafts Prolonged Release Nutrition Mega B-Complex Tablets
Halcion Tablets 0.125 mg	Healthcrafts Prolonged Release Nutrition Mega C 1500 Tablets
Halcion Tablets 0.25 mg	Healthcrafts Prolonged Release Nutrition Mega Multis Tablets
Haliborange Syrup	Healthcrafts Vitamin E Capsules
Haliborange Tablets	Healthcrafts Vitamin E Capsules High-Potency
Halibut Liver Oil A & D Capsules (Rodale)	Healthcrafts Vitamin E Capsules Mega
Halibut Oil A & D Capsules (GR Lane Health Products)	Healthcrafts Vitamin E Capsules Super
Halin Tablets	Healthcrafts Vitamin E Natural Oil
Halocaps Inhalant Capsules	Healthcrafts Vitamin E One-A-Day Capsules
Halycitrol Emulsion	Healthcrafts Zinc One-A-Day Capsules
Harvestime Malt Extract with Cod Liver Oil and Butterscotch	Healtheries Rice Crispbread
Hayphryn Nasal Spray	Healthilife Dolomite Tablets 60mg
HC45 Cream	Healthilife Halibut Oil Capsules
Head and Shoulders Shampoo	Healthilife Rutin Tablets 60mg
Health Aid Children's Multivitamin + Mineral Tablets	Healthilife Sunflower Seed Oil Capsules 500 mg
Health Aid DL-Phenylalanine Tablets 500mg	Healthilife Vitamin A Capsules
Health Aid Dolomite Tablets	Healthilife Vitamin E Soya Free Capsules
Health Aid Eczema Oil	Healthilife Wild Sea Kelp Tablets 300mg
Health Aid EPO Forte Capsules 1000mg	Healthlink High Zinc + Manganese Formula 1 Capsules
Health Aid Halibut Liver Oil Capsules	Healthlink Loosemore Herbal Capsules
Health Aid Magnesium & Calcium Tablets	Healthlink Magnesium Acetate Capsules
Health Aid Multivitamins & Minerals Tablets	Healthlink Psyllium Husks
Health Aid Super Cod Liver Oil Capsules	Health Perception Glucosamine Tablets
Health Aid Super Lecithin Capsules	Health + Plus Absorb Plus Capsules
Health Aid Vitamin A Capsules	Health + Plus Absorb Plus Tablets
Health Aid Vitamin A + D Capsules	Health + Plus Chromium GTF & B3 Tablets
Health Aid Vitamin B6 Tablets Prolonged Release	Health + Plus Complex B Tablets
Health Aid Vitamin B Complex Supreme Tablets	Health + Plus Co-Q Plus Tablets
Health Aid Vitamin C Tablets	Health + Plus Dolomite + D Tablets
Health Aid Vitamin E Capsules	Health + Plus E500 Tablets
Health Aid Vitamin E Cream	Health + Plus Immunade Tablets
Health Aid Vitamin E Hand and Body Lotion	Health + Plus Multiminerals Tablets
Health Aid Vitamin E Natural Capsules	Health + Plus Multivite Tablets
Health Aid Vitamin E Oil	Health + Plus Nutrient Pack, Metabolic Pack
Health Aid Zinc Sulphate Tablets 200mg	Health + Plus Pregnancy Pack
Health Aid Zinc Tablets 10mg	Health + Plus Selenium Tablets 50mcg
Healthaid Glucosamine Sulphate Tablets	Health + Plus Super B6 + Zinc Tablets
Healthcrafts Aminocheil Calcium Tablets	Health + Plus Super C1000 Tablets + Bioflavour
Healthcrafts Aminocheil Chelated Magnesium Tablets	Health + Plus Supercholine Tablets
Healthcrafts Aminocheil Zinc Tablets 1.3mg	Health + Plus Vitamin E Capsules High-Potency
Healthcrafts Aminocheil Zinc Tablets 5mg	Health + Plus VV Pack
Healthcrafts Arteroil Tablets	Health + Plus Ziman Plus (Manganese & Zinc) Tablets
Healthcrafts Betacarotene Capsules	Health Salts (Wicker Herbal Stores)
Healthcrafts Brewers Yeast Tablets	Health Tonic Mixture (Hall's)
Healthcrafts Calcium + Vitamin D Chewable Tablets	Healthwise Halibut Oil Capsules
Healthcrafts Calcium Chewable Tablets	Healthwise Vitamin E Capsules
Healthcrafts Calcium Pantothenate Super Tablets	Heart Shape Indigestion Tablets
Healthcrafts Cod Liver Oil Capsules	Heath & Heather Feverfew Tablets
Healthcrafts Cod Liver Oil Compleat Tablets	Heath & Heather Garlic Perles (Odourless)
Healthcrafts Dolomite Tablets 500mg	Hedamol Capsules
Healthcrafts EPA Forte Capsules	Hedex Extra Caplets
Healthcrafts High Strength Starflower Oil	Hedex Plus Capsules
Healthcrafts Kelp Tablets	Hedex Seltzer Granules
Healthcrafts Lecithin Capsules	Hedex Soluble Granules
Healthcrafts Multivitamin Chewable Tablets	Hedex Tablets
Healthcrafts Multivitamin + Iron & Calcium Tablets	

**DRUGS AND OTHER SUBSTANCES NOT TO BE PRESCRIBED UNDER THE NHS
PHARMACEUTICAL SERVICES**

Heinz Weight Watcher Baked Beans	Iliadin Mini Paediatric Nasal Drops
Hemingways Catarrh Syrup	Imarale Agba Suspension
Hemoplex Injection	Imarale Omode Suspension
Hepacon B12 Injection	Imedeem Skin Regenerating Tablets
Hepacon B-Forte Injection	Imedeem Tablets
Hepacon Liver Extract Injection	Imodium Capsules Pharmacy Packs 8 and 12 Capsules
Hepacon-Plex	Importal
Hepanorm Tablets	Imuderm Body Wash
Herbal Aperient Tablets (Cathay)	Imuderm Hand & Face Wash
Herbal Aperient Tablets (Kerbina)	Imuderm Shower Gel
Herbal Bronchial Cough Tablets (English Grains)	Inabrin Tablets 200 mg
Herbal Laboratories Feverfew Tablets	Indian Brandy Solution
Herbal Laxative Naturtabs	Indigestion Mixture (Boots)
Herbal Pile Tablets	Indigestion Mixture (Thornton & Ross)
Herbal Quiet Nite Sleep Naturtabs	Indigestion Mixture (William Ransom)
Herbal Syrup (Baldwin's)	Indigo Indigestion Lozenges
Herbalene Herbs	Infa-Care Baby Bath
Hermesetas (blue)	Infaderm Baby Bath
Hermesetas Gold	Infaderm Baby Cream
Hermesetas Light	Infaderm Baby Hair Wash
Hermesetas Liquid Sweetener	Infaderm Baby Lotion
Hermesetas Sprinkle Sweet	Influenza and Cold Mixture 2315 (Wright Layman & Umney)
Hexidin Solution	Inhalit Liquid Inhalation
Hi-g-ah Tea	Innoxia Concealing Cream
Higher Nature Paraclear Capsules	Innoxia Creme Satin Foundation
Hi-pro Liver Tablets	Innoxia Finishing Touch Loose Powder
Hill's Adult Balsam	Innoxia Foundation
Hill's Balsam Children's Mixture for Chesty Coughs	Innoxia Moisturised Liquid Make-up
Hip C Rose Hip Syrup	Innoxia Sensitive/Dry Range: Enriched Moisture Cream
Hismanal Tablets 10-tablet pack	Innoxia Sensitive/Normal Range: Creamy Moisturiser
Histalix Expectorant	Innoxia Young Solution Spot Gel
Hofels Cardiomax Garlic Pearles	Inoven Caplets
Hofels Garlic Pearles	Iodinated Glycerol Elixir 60 mg/ 5 ml
Hofels One-A-Day Garlic Pearles	Iodised Vitamin Capsules
Hofels One-A-Day Neo Garlic Pearles	Iodo-Ephedrine Mixture
Honey & Molasses Cough Mixture (Lane Health Products)	Ionax Scrub
Hot Blackcurrant Cold Remedy (Beechams)	Ipecacuanha Pills 20 mg
Hot Lemon Cold Remedy (Beechams)	Ipecacuanha & Morphine Mixture BP
Hot Lemon Cold Treatment (Scott & Bowne)	Ipecacuanha & Squill Linctus Paediatric BPC
Hot Measure Solution (Reckitt & Colman)	Ipsel Hygienic Babysalve
Hydrex Hand Rub	Irofol C
Hydrocare Boiling/Rinsing Solution	Iron & Brewers Yeast Tablets (3M Health Care)
Hydrocare Cleaning and Soaking Solution	Iron & Vitamin Tablets (Davidson)
Hydrocare Preserved Saline Solution	Iron Formula Tablets (Rodale)
Hydrocare Protein Remover Tablets	Iron Jelloids Tablets
Hydroclean Solution	Iron Tonic Tablets (Boots)
Hydron Europe Cleaning Solution	Ironorm Capsules
Hydron Europe Comfort Soaking Solution	Ironorm Tonic
Hydron Europe Solusal	Ironplan Capsules
Hydron Europe Solution Comfort	Isoaminile Linctus
Hydrosoak Disinfecting and Soaking Solution	Isocal
Hydrosol Comfort Solution	Ivy Tablets (Ayrton Saunders)
Hymosa Vitamin E Cream	
Hypomultiple Capsules	
Hypon Tablets	
Iberet 500 Tablets	Jaap's Health Salts
Iberol Tablets	Jacksons All Fours Cough Mixture
Ibruffhalal Tablets	Jacksons Febrifuge
ICC Analgesic Tablets	Jambomins Tablets
Idoloba Tablets	Jenners Suspension
Iliadin Mini Nasal Drops	Jenners Tablets

XVIII A

**DRUGS AND OTHER SUBSTANCES NOT TO BE PRESCRIBED UNDER THE NHS
PHARMACEUTICAL SERVICES**

Jochem Hormone Hair Preparation	Laboprin Tablets
Johnson & Johnson Baby Bath	Lac Bismuth Mixture
Johnson & Johnson Baby Cream	Lactaid Lactase enzyme for milk drops
Johnson & Johnson Baby Lotion	Lactaid Lactase enzyme tablets
Johnson & Johnson Baby Oil	Lactaid Lactose reduced, skimmed and whole milk UHT
Johnson & Johnson Baby Powder	Lacto Calamine
Johnson & Johnson Baby Shampoo	Ladycare No 2 (Menopausal) Tablets
Johnson & Johnson Baby Sunblock Stick	Laevoral
Johnson & Johnson Prickly Heat Powder	Lamberts Acidophilus Extra Capsules
Jolen Creme Bleach	Lamberts Bee Propolis Tablets
Jordans Crunchy Bar	Lamberts Beta Carotene Capsules
Junamac	Lamberts Betaine HCL/Pepsin Tablets
Jung Junipah Tablets	Lamberts Betasec Tablets
Jungle Formula Insect Repellent Gel	Lamberts Betasec Timed Release Antioxidant Tablets
Jungle Formula Insect Repellent Pump Spray	Lamberts Calcium Extra Tablets
Junior Cabdrivers Linctus	Lamberts Calcium/Magnesium Balance Capsules
Junior Disprin Tablets	Lamberts Calcium & Magnesium Chelates Tablets
Junior Disprol Tablets	Lamberts Calcium 500/Magnesium 250 Amino Acid Chelated Tablets
Junior Ex-Lax Chocolate Tablets	Lamberts Calcium/Magnesium/Zinc Orotates Capsules
Junior Lemsip Powder	Lamberts Caprylic Acid Tablets
Junior Meltus Cough & Catarrh Linctus	Lamberts Chelating Mega Mineral Complex Tablets
Junior Mucron Liquid	Lamberts Co-Enzyme Q10 Capsules
Junior Paraclear Tablets	Lamberts DLPA Complex + Vitamin B & C Capsules
Junior Tablets (Rodale)	Lamberts Dolomite Tablets
Juno-Junipah Mineral Salts	Lamberts Enzygest Capsules
Juvel Elixir	Lamberts EPA Marine Lipid Concentrate Capsules
Juvel Tablets	Lamberts Evening Primrose Oil 250 mg Capsules
Juvela Gluten-Free Mince Pies	Lamberts Evening Primrose Oil 500 mg Capsules
Juvela Gluten-Free Sage & Onion Stuffing Mix	Lamberts Evening Primrose Oil 1000 mg Capsules
Juvela Low-Protein Savoury Snack	Lamberts Gentle Vitamin C Tablets
Kamillosan Baby Cleansing Bar	Lamberts Ginkgo Biloba Extract Tablets
K'An Herbal Preparations	Lamberts Glucosamine Sulphate Tablets
Kaodene Suspension	Lamberts GTF Chromium Capsules
Kaopectate	Lamberts Health Insurance Plus Tablets
Karvol Capsules	Lamberts High Potency EPA Capsules
Kelsoak 2 Solution	Lamberts L-Carnitine Capsules
Kelvinol 2 Wetting Solution	Lamberts L-Carnitine Tablets
Kenco Instant Decaffeinated Coffee	Lamberts L-Glutamic Acid Powder
Kendales Adult Cough Syrup	Lamberts L-Glutamine Capsules
Kendales Cherry Linctus	Lamberts L-Glutathione Complex Capsules
Kentogam Gamolenic Acid Capsules	Lamberts L-Histidine HCL Capsules
Kest Tablets	Lamberts L-Isoleucine Capsules
Ketazolam Capsules 15 mg	Lamberts L-Leucine Capsules
Ketazolam Capsules 30 mg	Lamberts L-Threonine 500mg Capsules
Ketazolam Capsules 45 mg	Lamberts Magnesium Amino Acid Chelated Tablets
Keybells Linctus of Glycerine, Lemon & Ipecacuanha	Lamberts Magnesium Orotate Capsules
Kingo Cough Syrup	Lamberts Magnesium Sustained Release Tablets
Koladex Tablets	Lamberts Magnesium Sustained Release Timed Release Tablets
Kolanticon Tablets	Lamberts Mega Mineral Compound Tablets
Kolanticon Wafers	Lamberts Mega 3 Vitamins/Minerals Tablets
Kolantyl Gel	Lamberts Multi-Max Tablets
Kolorex Capsules	Lamberts Natural Vitamin E Capsules
Kolynos Denture Fixative	Lamberts One Daily Vitamin/Mineral Tablets
Krauses Cough Linctus	Lamberts Playfair Tablets
Kruschen Salts	Lamberts PMT Supplement Optivite Tablets
Kuralax Herbs	Lamberts Protein Deficiency Formula Capsules
Kwai Garlic Tablets	
Kylie Skin Guard	
Labiton Kola Tonic	

**DRUGS AND OTHER SUBSTANCES NOT TO BE PRESCRIBED UNDER THE NHS
PHARMACEUTICAL SERVICES**

Lamberts Protein Deficiency Formula Powder	Lemon Glycerine & Honey Cough Syrup Compound (Carter Bond)
Lamberts Pycnogenol Capsules	Lemon Glycerine & Honey Lung Mixture (Whitehall Laboratories)
Lamberts Pyridoxal-5-Phosphate Capsules	Lemon Glycerine & Ipecac Cough Syrup Compound (Carter Bond)
Lamberts Pyridoxal-5-Phosphate Plus Capsules	Lemon Juice, Glycerine & Honey A S Syrup (Ayrton Saunders)
Lamberts Selenium Capsules	Lemon Linctus 1-472
Lamberts Selenium Tablets	Lem-Plus Capsules
Lamberts Senior Capsules	Lem-Plus Hot Lemon Drink
Lamberts Super Acidophilus Plus Capsules	Lemsip Expectorant
Lamberts Taurine Capsules	Lemsip Flu Strength
Lamberts Ultra Detoxifying Capsules	Lemsip Lemcaps Cold Relief Capsules
Lamberts Vitamin B-50 Complex Capsules	Lemsip Linctus
Lamberts Vitamin B-50 Complex Tablets	Lemsip Flu Strength Night Time Formula
Lamberts Vitamin B-100 Complex Tablets	Lemsip Powder
Lamberts Vitamin C Ascorbic Acid & Calcium Ascorbate Crystals	Lendormin Tablets 0.125 mg
Lamberts Vitamin C Ascorbic Acid Powder	Lendormin Tablets 0.25 mg
Lamberts Vitamin C & Bioflav Tablets	Lensept Solution
Lamberts Vitamin C Calcium Ascorbate Crystals	Lensine 5 All in One Solution
Lamberts Vitamin C-Time Bioflav Timed-Release Tablets	Lensplus Sterile Saline Spray
Lamberts Vitamin E 200 D-Alpha Tablets	Lensrins Solution
Lamberts Vitamin E 200 D-Alpha/Selenium Tablets	Leoren Tonic Tablets
Lamberts Vitamin E 400 D-Alpha/Selenium Tablets	Lexotan Tablets 1.5 mg
Lamberts Vitamin/Mineral Compound Tablets	Lexotan Tablets 3 mg
Lamberts Zinc Citrus Capsules	Lexotan Tablets 6 mg
Lamberts Zinc Gluconate Tablets	Libraxin Tablets
Lamberts Zinc Tablets	Librium Capsules 5 mg
Lanacane Cream	Librium Capsules 10 mg
Lanacort Cream	Librium Tablets 5 mg
Lanacort Ointment	Librium Tablets 10 mg
Lance B & C Tablets	Librium Tablets 25 mg
Lancome Nutrix Cream	Librofem Tablets
Lane's Cut-a-Cough	Lifeplan Acidophilus Capsules
Lane's Laxative Herb Tablets	Lifeplan Boron 3 Tablets
Lane's Sage and Garlic Catarrh Remedy	Lifeplan Cod Liver Oil One-A-Day Capsules
Lanes Glanolin Capsules 250/500	Lifeplan DL-Phenylalanine (DLPA) Tablets 500
Lanes LecigranGranules	Lifeplan Dolomite Tablets 500mg
Lantigen B	Lifeplan Dolomite Tablets 800mg
Larkhall Acidophilus 500 Tablets	Lifeplan Dolomite (Natural) Tablets
Larkhall B13 Zinc Tablets	Lifeplan Super Galanol Starflower Capsules
Larkhall Beta Carotene Capsules	Lifeplan Vitamin B6 Tablets
Larkhall Calcimega 500 Tablets	Lightning Cough Remedy Solution (Potters)
Larkhall DLPA 375 Tablets	Limbitrol Capsules "5"
Larkhall Dolomite Tablets	Limbitrol Capsules "10"
Larkhall Folic Acid Tablets 100mcg	Linctified Expectorant
Larkhall Folic Acid Tablets 500mcg	Linctified Expectorant Paediatric
Larkhall L-Carnitine Capsules	Linctoid C
Larkhall Magnesium Orotate B13 Tablets	Linituss
Larkhall Selenium Supplement Tablets	Linoleic Acid
Larkhall Vitamin C Naturtabs 1000mg Buffered	Linus Vitamin C Powder
Lavender Bath	Lipoflavonoid Capsules
Laxaliver Pills	Lipotriad Capsules
Laxatabs Leoren	Lipotriad Liquid
Laxipurg Tablets	Liqufruta Blackcurrant Cough Medicine
Laxoberal Elixir	Liqufruta Honey & Lemon Cough Medicine
LC 65 Cleaning Solution	Liqufruta Medica
Lecithin Capsules	Liqufruta Medica Garlic Flavoured Cough Medicine
Ledercort Cream	Liquid Formula (Food Concentrate) (Rodale)
Lederplex Capsules	Liquid Paraffin & Phenolphthalein Emulsion BP
Lederplex Liquid	Liquid Paraffin Emulsion with Cascara BPC
Lejfbre Biscuit	Liquifilm Wetting Solution
Lemeze Cough Syrup	Listerine Antiseptic Mouthwash
Lemon Eno Powder	
Lemon Flu-Cold Concentrated Syrup	

**DRUGS AND OTHER SUBSTANCES NOT TO BE PRESCRIBED UNDER THE NHS
PHARMACEUTICAL SERVICES**

Listermint Mouthwash	Max Factor Face Powder
Liver Herbs (Hall's)	Max Factor Pan-Stik
Livibron Mixture	Maxivits Tablets
Lloyds Cream (Odour Free)	Medathion Aspirin Tablets 300 mg
Lloyds Heat Spray	Medazepam Capsules 5 mg
Loasid Tablets	Medazepam Capsules 10 mg
Lobak Tablets	Medex Elixir
Lofthouse's Original Fisherman's Friend Honey Cough Syrup	Mediclean Soft Lens Solutions
Logado	Medilax Tablets
London Herb and Spice Herbal Tea Bags	Medinol Over 6 Paracetamol Oral Suspension
Loramet Capsules 1 mg	Medinol Under 6 Paracetamol Junior Suspension
Loramet Tablets 0.5 mg	Medipain Tablets
Loramet Tablets 1 mg	Medised Suspension
Lotil Facial Cream	Medised Tablets
Lotussin Cough Syrup	Medisoak Soft Lens Solution
L-Threonine Capsules	Meditus Syrup
L-Threonine Tablets	Medocodene Tablets
Lucozade	Meggeson Dyspepsia Tablets
Luma Bath Salts	Melissin Syrup
Lung Balsam (Rusco)	Melo Brand Glycerin Lemon & Honey with Ipecac
Lyons Ground Coffee Beans	Meloids Lozenges
Lypsyl Lemon	Meltus Adult Dry Cough Elixir
Lypsyl Mint	Meltus Adult Expectorant
Lypsyl Original	Meltus Baby Cough Linctus
Lysaldin	Meltus Honey and Lemon Cough Linctus
	Meltus Junior Expectorant
	Memo Boost Capsules
	Menopace Capsules
	Menthacol Liquid
	Menthells Pellet/Pill
M & B Children's Cough Linctus	Menthol & Benzoin Inhalation BP
MA4 Herbal Fruit Concentrate Paste	Menthol & Eucalyptus (M in P) Pastilles (Thomas Guest)
MA572 Tablets	Menthol Inhalation
Maalox Concentrate Suspension	Mentholated Balsam (Loveridge)
Maalox Plus Tablets	Mentholated Balsam (Savory & Moore)
Mackenzies Smelling Salts	Mentholated Balsam (Wright Laymen & Umney)
Macleam Indigestion Powder	Mentholated Balsam Mixture (Pilsworth Manufacturing)
Macleam Indigestion Tablets	Mentholatum Balm
Macleans Toothpaste	Mentholatum Deep Freeze Spray
Magaldrate Tablets	Mentholatum Deep Heat Massage Liniment
Magnesium Citrus Tru-Fil Capsules	Mentholatum Deep Heat Maximum Strength Rub
Magnesium Glycerophos Tablets	Mentholatum Deep Heat Rub
Magnesium OK Tablets	Mentholatum Nasal Inhaler
Mainstay Pure Cod Liver Oil	Mercurochrome Solution
Male Gland Double Strength Supplement Tablets	Metatone
Male Sex Hormone Tablets (Diopharm)	Micaveen
Malinal Plus Tablets	Midro-Tea Powder
Malinal Suspension 500 mg/5 ml	Migrafen Tablets
Malinal Tablets 500 mg	Mijex Cream
Malt Extract with Cod Liver Oil & Chemical Food (Distillers)	Milgard Baby Cleansing Milk
Malt Extract with Cod Liver Oil BPC & Hypophosphites (Distillers)	Milk of Magnesia Tablets
Malt Extract with Cod Liver Oil BPC Soft Extract (Jeffreys Miller)	Mil-Par Suspension
Malt Extract with Haemoglobin & Vitamins Syrup (Distillers)	Milton Sterilising Tablets
Malt Extract with Halibut Liver-Oil Syrup (Distillers)	Milumil Baby Milk
Malvern Water	Milupa 7 Cereal Breakfast
Mandarin Tablets	Milupa Aptamil Baby Milk
Manna Herbal Rheumapainaway Tablets	Milupa Braised Steak & Vegetable Infant Food
Marly Skin	Milupa Camomile Infant Drink
Marvel	Milupa Cauliflower Cheese Special Infant Food
Matthew Cough Mixture	Milupa Country Chicken & Vegetable Casserole
Maturaplus Tablets	Milupa Fennel Variety Infant Drink
Maws Sterilising Tablets	Milupa Forward Follow-On Milk

**DRUGS AND OTHER SUBSTANCES NOT TO BE PRESCRIBED UNDER THE NHS
PHARMACEUTICAL SERVICES**

Milupa Harvest Muesli Breakfast	Napoloids Tablets
Milupa Infant Dessert, Banana & Apple Yoghurt	Napsalgesic Tablets
Milupa Infant Dessert, Caribbean Fruit	Nasal Drops for Children (Boots)
Milupa Infant Dessert, Semolina & Honey	Natex 12A Tablets
Milupa Infant Tea-Time, Cheese & Tomato	Natural Bran
Milupa Modified Yoghurt	Natural Flow Acidophilus Capsules
Milupa Special Formula HN25	Natural Flow Amino Acid Complex Capsules
Milupa Sunshine Orange Breakfast	Natural Flow Animal Fun Children's Chewable Tablets
Milupa Vegetable Hotpot Infant Food	Natural Flow Boron + Calcium & Silica Tablets
Minadex Chewable Vitamin Tablets	Natural Flow Calcium Ascorbate Tablets
Minadex Syrup	Natural Flow Calcium & Magnesium Chelated Tablets
Minamino Syrup	Natural Flow Candiforte Capsules
Minivits Tablets	Natural Flow Digestive Enzyme Compound Tablets
Minoxidil Cream	Natural Flow Dolomite + A & D Tablets
Minoxidil Lotion	Natural Flow Mega B Complex Tablets
Minoxidil Ointment	Natural Flow Mega Multi Tablets
Minoxidil Solution (for external use)	Natural Flow Multimineral Tablets
Mira Flow Cleaning Solution	Natural Flow Organic Germanium Capsules
Mira Flow Soft Lens Solution	Natural Flow Primedophilus Powder
Mira Soak Lens Soaking Solution	Natural Flow Probiion Bifidus Powder
Mira Sol Soft Lens Solution	Natural Flow Probiion Tablets
Mitchell's Wool Fat Soap	Natural Flow Psyllium Husks
Modifast Nutritionally Complete Supplemented Fasting Formula	Natural Flow Psyllium Husk Capsules
Mogadon Capsules 5 mg	Natural Flow Selenium Chelated Tablets
Mogadon Tablets 5 mg	Natural Flow Selenium Tablets
Moorland Indigestion Tablets	Natural Flow Super Vitamin C Complex Tablets
Morning Glory Tablets	Natural Flow Super Vitamin C Tablets
Morny Lavender Talc	Natural Flow Tangerine C Chewable Tablets
Mosquito Milk Mosquito Repellent Tropical Formula	Natural Flow Thiamin Tablets (Vitamin B1)
Mrs Cullen's Lemsoothe Powder	Natural Flow Vega Mins Tablets
Mrs Cullen's Powders	Natural Flow Vitamin A Tablets
Mucofalk Sachets	Natural Flow Vitamin C Powder
Mucoclex Syrup	Natural Flow Zinc Chelated Tablets
Mucoclex Tablets	Natural Herb Laxative Tablets (Brome & Schimmer)
Mu-Cron Junior Syrup	Natural Herb Laxative Tablets (Kerbina)
Mu-Cron Tablets	Natural Herb Tablets (Dorwest)
Mucron Liquid	Natural Herb Tablets (Kerbina)
Muflin Linctus	Natural Herb Tablets (Lane)
Multi-Vitamin Tablets (English Grains)	Naturavite Tablets
Multivitamin Capsules (Regent Laboratories)	Nature's Aid Co-Enzyme Q-10 Capsules
Multivitamin Tablets (Approved Prescription Services)	Nature's Own Acidophilus Plus Capsules (Supreme)
Multivitamin Tablets (Chemipharm)	Nature's Own Betacarotene Capsules
Multivitamin Tablets (Evans Medical)	Nature's Own Beta Carotene tablets
Multivitamin Tablets (UAC International)	Nature's Own Calcium Orotate Tablets
Multivitamin with Mineral Capsules (Potters)	Nature's Own Dolomite Tablets
Multivitamin with Minerals Tablets (Chemipharm)	Nature's Own Dolomite-Calcium Carbonate Magnesium Carbonate Tablets
Multivite Pellets	Nature's Own Food State Beta Carotene Tablets
Multone Tablets	Nature's Own Food State Calcium Tablets
My Baby Cough Syrup	Nature's Own Food State "Euro Formula" Vitamin B Complex + Vitamin C & Magnesium Tablets
Mycocidin Perles	Nature's Own Food State Magnesium Tablets
Mycolactine Tablets	Nature's Own Food State Selenium Tablets
Mylanta Liquid	Nature's Own Food State Vitamin B6 (Pyridox) Tablets
Mylanta Tablets	Nature's Own Food State Vitamin C Tablets
Myolgin Tablets	Nature's Own Food State Vitamin E 300 Tablets
N Tonic Syrup (Cupal)	Nature's Own Food State Zinc/Copper Tablets
N-300 Capsules	Nature's Own Multi-Vitamin Tablets
Nair Depilatory Cream	
Nanny Goat's Milk Infant Formula	
Napca Skin Lotion	
Napisan Nappy Treatment	

**DRUGS AND OTHER SUBSTANCES NOT TO BE PRESCRIBED UNDER THE NHS
PHARMACEUTICAL SERVICES**

Nature's Own Vitamin B Complex Plus Tablets High Potency	Nitrados Tablets 5 mg
Nature's Own Vitamin B6 (Pyridox) Tablets	Nitrazepam Capsules 5 mg
Nature's Own Vitamin C Ascorbic Acid Powder	Nivea
Nature's Own Vitamin C as Calcium Ascorbate Tablets	No 177 Tablets (Leoren)
Nature's Own Vitamin C (as Sodium Ascorbate) Tablets	Nobacter Medicated Shaving Foam
Nature's Own Vitamin C with Bioflavonoids	Nobrium Capsules 5 mg
Nature's Own Vitamin E 100 Capsules	Nobrium Capsules 10 mg
Nature's Own Vitamin E 100 Emulsifying Capsules	Nocold Tablets
Nature's Own Vitamin E 200 Capsules	Noctamid Tablets 0.5 mg
Nature's Own Zinc Orotates	Noctamid Tablets 1 mg
Nature's Plus Calcium/Magnesium Tablets	Noctesed Tablets 5 mg
Nature's Plus Green Magma Powder	Noradran Bronchial Syrup
Nature's Plus Liquid B Complex & Iron	Norgesic Tablets
Nature's Plus Mega C Tablets	Normax Capsules
Nature's Plus Rutin Tablets 500mg	Normison Capsules 10 mg
Nature's Plus Super B50 Capsules	Normison Capsules 20 mg
Naturtabs Choline	Norvits Syrup
Naturtabs Nicotinamide	Noscapine Linctus BP
Naturtabs Nicotinic Acid	Nourkrin Tablets
Naturtabs Paba	Novaprin Tablets
Natusan Baby Ointment	Novasil Antacid Tablets
Naudicelle	Novasil Antacid Viscous Suspension
Nella Red Oil Liniment	Noxzema Medicated Skin Cream
Neo-Cytamen Injection 250 mcg/ml	Nucross Coconut Oil
Neo-Cytamen Injection 1000 mcg/ml	Nulacin Tablets
Neoklenz Powder	Numark Multivitamin Tablets
Neophryn Nasal Drops	Nurodol Tablets
Neophryn Nasal Spray	Nurofen Soluble Tablets
Nescafe Instant Coffee	Nurofen Tablets 200 mg
Nestle Nativa HA	Nurse Sykes Bronchial Balsam
Nethaprin Expectorant	Nurse Sykes Powders
Neuro Phosphates	Nu-Soft Baby Oil
Neurodyne Capsules	Nutricare Beta Carotene Capsules
Neutradol Concentrated Air Deodoriser	Nutricare Capricin Capsules
Neutradonna Powder	Nutricare Selenium Tablets
Neutradonna Sed Powder	Nutricare Vitamin C Tablets
Neutradonna Sed Tablets	Nutricare Zinc Orotate Tablets
Neutradonna Tablets	NutriTec Vitamin Mineral Complex Food Supplement
Neutrogena Body Oil (Scented and Unscented)	Nutrition Associates Beta Carotene Capsules
Neutrogena Conditioner	Nutrition Associates Reduced Glutathione Capsules
Neutrogena Hand Cream	Nux Vomica Acid Mixture
Neutrogena Lip Care	Nux Vomica Alkaline Mixture
Neutrogena Liquid	Nux Vomica Elixir BPC
Neutrogena Moisture	Nylax Tablets
Neutrogena Norwegian Formula Body Emulsion	Nytol Tablets
Neutrogena Rainbath Shower and Bath Gel	
Neutrogena Shampoo	Octovit Tablets
Neutrogena Soap	Ocuvite Multivitamin & Mineral Tablets
Neutrogena Sun Care Lotion SPF 14	Oilatum Bar
Neutrolactis Tablets	Oilatum Soap
New Formula Beechams Powders Capsules	Olbas Oil
New Life Herbs	Omeiri Iron Tonic Tablets
New Life Tablets	Omicaf Suspension
Newton's Children's Cough Treatment	Onadox 118 Tablets
Newton's Cough Mixture for Adults	One Gram C Capsule
Nezcaam Syrup	Opas Powder
Nezeril Nose Drops (single dose pipette)	Opas Tablets
Nicobrevin	Opobly Bailly Pills
Niferex 150 Capsules	Optivite Tablets
Nilbite	Oral B Plaque Check Disclosing Tablets
Nirolex Expectorant Linctus	

**DRUGS AND OTHER SUBSTANCES NOT TO BE PRESCRIBED UNDER THE NHS
PHARMACEUTICAL SERVICES**

Orange & Halibut Vitamins (Kirby Warrick Pharmaceuticals)	Panets Tablets
Organidin Elixir	Pango Pain Paracetamol Codeine Tablets (Cupal)
Organidin Solution	Pantene Hair Tonic
Organidin Tablets	Papain Compound Tablets
Original Indigestion Tablets (Boots)	Paprika Tablets (Kerbina)
Orovite 7	Para-Seltzer Effervescent Tablets
Orovite Elixir	Paracetamol & Caffeine Capsules
Orovite Tablets	Paracetamol & Caffeine Tablets
Orthoxicol Syrup	Paracetamol DC Tablets
Osteocare Calcium & Magnesium Tablets	Paracetamol Tablets Soluble (Boots)
Ostermilk Complete Formula	Paracetamol Tablets, Sorbitol Basis 500 mg
Ostermilk Two Milk Powder	Paracets Tablets 500 mg
Osterprem	Paraclear Tablets
Otrivine Nasal Drops 0.05%	Paracodol Capsules
Otrivine Nasal Drops 0.1%	Paracodol Tablets
Otrivine Nasal Spray 0.1%	Paradeine R Tablets
Otrivine-Antistin Nasal Drops	Paragesic Effervescent Tablets
Otrivine-Antistin Nasal Spray	Parahypon Tablets
Overnight Bedtime Cold Medicine	Parake Tablets
Owbridge's Cough Mixture	Paralgin Tablets
Oxamid Tablets 10 mg	Paramin Capsules
Oxamid Tablets 15 mg	Paramol Tablets
Oxamid Tablets 30 mg	Paranorm Cough Syrup
Oxy 5 Acne Lotion	Pardale Tablets
Oxy 10 Acne Lotion	Parenamps Intramuscular Injection
Oxy Clean Facial Wash Gel	Pastilaid's Pastilles
Oxy Clean Medicated Cleanser	Pavacol Cough Syrup
Oxymetazoline Hydrochloride Nasal Drops 0.025%	Paxadon Tablets
Oxymetazoline Hydrochloride Nasal Drops 0.05%	Paxalgic Tablets
Oxymetazoline Hydrochloride Nasal Spray 0.05%	Paxidal Tablets
Oxysept 1 Disinfecting Solution	Paynocil Tablets
Oxysept 2 Rinsing, Neutralising and Storing Solution	PEM Linctus
Ozium 500 Air Sanitizer	Penetrol Inhalant
Ozium 1500 Air Sanitizer	Pentazocine-Aspirin Compound Tablets
Ozium Air Sanitizer	Peplax Peppermint Flavoured Laxative Tablets
Ozium 3000	Peppermint Indigestion Tablets (Boots)
Pacidal Tablets	Pepto-Bismol Suspension
Pacifene Tablets	Perform 1 Disinfecting Solution
Paedo-Sed Syrup	Perform 2 Rinsing and Neutralising Solution
Pain Relief Tablets (Cox)	Pernivit Tablets
Pain Relief Tablets (Davidson)	Perrier Mineral Water
Paldesic Elixir	Persomnia Tablets
Pameton Tablets	Pestroy Flea and Insect Powder
Panacron Nasal Spray	Petrolagar Emulsion Plain
Panacron Tablets	Petrolagar Emulsion with Phenolphthalein
Panadeine Co Tablets	PF Plus Tablets
Panadeine Forte Tablets	Pharmacin Capsules
Panadeine Soluble Effervescent Tablets	Pharmacin Effervescent Plus C Tablets
Panadeine Tablets	Pharmacin Effervescent Tablets 325 mg
Panadol Baby & Infant Suspension	Pharmaton Capsules
Panadol Caplets	Pharmidone Tablets
Panadol Extra Soluble Tablets	Phenergan Compound Expectorant Linctus
Panadol Extra Tablets	Phenolphthalein Compound Pills BPC
Panadol Junior Sachets	Phenolphthalein Compound Tablets BPC 1963
Panadol Soluble Tablets	Phenolphthalein Tablets BP
Panadol Tablets	Phensedyl Cough Linctus
Panaleve Junior	Phensic Tablets
Panaleve Six Plus Suspension	Phensic 2 Tablets
Panasorb Tablets	Phenylephrine Hydrochloride Nasal Drops 0.25%
Panax 600 Ginseng Tablets	Phenylephrine Hydrochloride Nasal Spray 0.5%
Panarel Tablets	Phillips Brewers Yeast Tablets
	Phillips Iron Tonic Tablets
	Phillips Tonic Yeast Tablets
	Phillips' Toothpaste

**DRUGS AND OTHER SUBSTANCES NOT TO BE PRESCRIBED UNDER THE NHS
PHARMACEUTICAL SERVICES**

Phisoderm	Power GLA 65 (Borage Oil) Capsules
PhisoHex System Medicated Face Wash	Power Halibut Liver Oil Capsules
pHiso-Med Solution	Power Kelp Tablets 500mg
Pholcolix Syrup	Power Nature Vitamin E Cream
Pholcomed D Linctus	Power Nutrimental 24 Tablets
Pholcomed Diabetic Forte Linctus	Power Plus Super Multivitamin and Mineral Capsules
Pholcomed Expectorant	Powerin Tablets
Pholcomed Forte Linctus	PP Tablets
Pholcomed Linctus	PR Freeze Spray
Pholcomed Pastilles	PR Heat Spray
Pholtex Syrup	PR Tablets
Pholtussa Mixture	Prazepam Tablets 10 mg
Phor Pain	PRD 200 Tablets 600 mg
Phor Pain Double Strength	Preflex Solution
Phosferine Liquid	Pregaine Shampoo
Phosferine Multi-Vitamin Liquid	Pregnacare Capsules
Phosferine Tablets	Pregnadon Tablets
Phygeine Liquid	Pregnavite Forte Tablets
Phyllosan Tablets	Pregnavite Forte F Tablets
Physeptone Linctus	Prematil with Milupan
Pickles Nail Bite Lotion	Premence-28 Capsules
PIL Food Capsules	Premit Tablets 20 mg
Pile Mixture (Ayrton Saunders)	Prenatal Dri-Kaps Capsules
Pile Tablets (Ayrton Saunders)	Prenatol Anti Stretch Mark Cream
Pine Bath Milk	Pre-Nutrison
Pine Catarrh Drops Lozenges	Primes Premiums Tablets
Piriton Allergy	Prioderm Cream Shampoo
Piz Buin After Sun Lotion	Priory Cleansing Herbs Powder
Piz Buin After Sun Shower Gel	Probace 3 Cream
Piz Buin Children's Balm SPF 8	Pro-Bifidus Powder (Dairy Free)
Piz Buin Cream Factor 12	Procol Capsules
Piz Buin Creme factor 6	Proctofibre Tablets
Piz Buin Creme factor 8	Prodexin Tablets
Piz Buin Factor 4 Cold Air Protection Cream	Pro-Dophilus Powder (Dairy Free)
Piz Buin Glacier Cream SPF 15	Proflex Capsules
Piz Buin Lip Protection Stick SPF 8	Proflex Tablets 200 mg
Piz Buin Sun Allergy Lotion SPF 12	Progress Powder
Piz Buin Sun Protection Lotion SPF 12	Propain Tablets
Piz Buin SPF 6 Lotion	Propecia
Piz Buin SPF 8 Lotion	Pro-Plus He-Vite Elixir
Plax Anti-Plaque Pre-Brushing Rinse	Proteolised Liver Tablets
Plenamin Super	Protexin B Powder
Plenivite with Iron Tablets	Protexin Natural Care Powder
Pliagel Soft Lens Solution	Protexin Natural Care Tablets
Plurivite M Tablets	Pro-Vitamin A Capsules (Rodaie)
Plurivite Tablets	Pru Sen Tablet Bar
Poli-grip Denture Fixative Cream	Prymecare Tablets for Soft and and Gas Permeable Lenses
Pollen-Eze Tablets	Prymeclean Cleaning Solution for Soft Lenses
Polyalk Gel	Prymesoak Soaking Solution for Soft Lenses
Polyalk Tablets	Pulmo Bailly Liquid
Polyvite Capsules	Purgoids Tablets
Porosis D Calcium Supplement Tablets	Pyridoxine Tablets, Slow 100 mg
Potaba + 6 Capsules	
Potaba + 6 Tablets	
Potassium Bromide & Nux Vomica Mixture BPC 1963	Quest Balanced Ratio Cal-Mag Tablets
Potters Household Liniment	Quest Beta Carotene Tablets
Potters Nine Rubbing Oils	Quest Folic Acid with Vitamin B Capsules
Powdered Bran Tablets 2 g	Quest Gamma EPA Capsules 1000mg
Power Cranberry Juice Capsules	Quest Herbal Range Feverfew Formula Capsules
Power Cranberry Juice Concentrated Powder	Quest Improved Once-A-Day Tablets
Power Dolomite Tablets	Quest Kyolic 350 Tablets
Power Dophilus Capsules	Quest Mega B50 Tablets
Power Feverfew Capsules	

**DRUGS AND OTHER SUBSTANCES NOT TO BE PRESCRIBED UNDER THE NHS
PHARMACEUTICAL SERVICES**

Quest Mega B-100 Timed Release Tablets	Respaton
Quest Mega B Complex Plus 1000mg C Tablets	Retinova
Quest Multi B Complex Plus 500mg C Tablets	Revlon Nurtrasome Shampoo
Quest Multi C Complex Tablets	Revlon ZP11 Medicated Shampoo
Quest Non-Dairy Acidophilus Plus Capsules	Rheumavit Tablets
Quest Once-A-Day Tablets	Rhuaka Herbal Syrup
Quest Super Mega B-50 Timed Release Tablets	Rhuaka Tablets
Quest Super Mega B + C Tablets	Rhubarb & Soda Mixture Ammoniated BP
Quest Super Once-A-Day Divided Dose Tablets	Rhubarb Compound Mixture BPC
Quest Synergistic Boron Tablets	Rhubarb Mixture Compound Paediatric BPC
Quest Synergistic Iron Capsules	Ribena
Quest Synergistic Magnesium Tablets	Riddovydryn Liquid
Quest Synergistic Selenium Capsules	Rinurel Linctus
Quest Synergistic Zinc Capsules	Rinurel Tablets
Quest Vitamin C Tablets	Rite-Diet Egg White Replacer
Quest Vitamin C Tablets Sustained Release	Rite-Diet Gluten-Free Baking Powder
Quest Vitamin E Capsules	Rite-Diet Gluten-Free Banana Cake
Quick Action Cough Cure (Brian C Spencer)	Rite-Diet Gluten-Free Bourbon Biscuits
Quiet Life Tablets	Rite-Diet Gluten-Free Christmas Pudding
	Rite-Diet Gluten-Free Half Covered Chocolate Digestive Biscuits
	Rite-Diet Gluten-Free Coconut Cookies
	Rite-Diet Gluten-Free Date and Walnut Cake
	Rite-Diet Gluten-Free Gingernut Cookies
	Rite-Diet Gluten-Free Muesli Cookies
	Rite-Diet Gluten-Free Lemon Madeira Cake
	Rite-Diet Gluten-Free Rich Fruit Cake
	Rite-Diet Gluten-Free Wheat-Free Mince Pies
	Rite-Diet Hot Breakfast Cereal
	Robaxisal Forte Tablets
	Roberts Aspirin & Caffeine Tablets
	Robinsons Baby Rice
	Robinsons Instant Baby Foods Baby Breakfast
	Robinsons Instant Baby Foods Baby Dessert
	Robitussin AC Liquid
	Robitussin Cough Soother
	Robitussin Cough Soother Junior Formula
	Robitussin Expectorant
	Robitussin Expectorant Plus
	Robitussin Liquid
	Robitussin Plus Liquid
	Robitussin Syrup
	RoC Amino Moisturising Cream
	RoC Compact Cleanser
	RoC Eye Make-up Remover Lotion
	RoC Face Powder Loose
	RoC Foundation Cream
	RoC High Protection Sun Cream SPF 7/9
	RoC Hydra and Body Cream
	RoC Hydra Plus
	RoC Intensive Hand Cream
	RoC Lipo Moisturising Treatment
	RoC Lipo Vitamin Treatment
	RoC Pre-Tanning Lotion
	RoC Soap for Delicate Skin
	RoC Soothing After Sun Lotion
	RoC Soothing Eye Gel
	RoC Treatment Lipstick
	RoC Vitamin Cream
	Roche Starflower Oil Capsules 500mg
	Roche Starflower Oil (GLA) Capsules 250mg
	Rock Salmon Cough Mixture
	Rohypnol Tablets 1 mg
	Roscorbic Effervescent Tablets
Rabenhorst Tomato Juice	
Radian-B Mineral Bath Liquid	
Radian-B Mineral Bath Salts	
Radian-B Muscle Lotion	
Radian-B Muscle Rub	
Ralgex Cream	
Ralgex Stick	
Rappell Head Louse Repellent Pump Spray	
Raspberry Tablets No B039	
Rayglo Chest Rub Ointment	
Rayglo Laxative Tablets	
Reach Mouthwash	
Reactivan Tablets	
Red Catarrh Pastilles (Baldwin)	
Redelan Effervescent Tablets	
Redoxon Adult Multivitamin Tablets	
Redoxon C Effervescent Tablets 1 g	
Redoxon C Tablets 25 mg	
Redoxon C Tablets 50 mg	
Redoxon C Tablets 200 mg	
Redoxon C Tablets 250 mg	
Redoxon C Tablets 500 mg	
Redoxon Childrens Multivitamins Tablets	
Redoxon Effervescent Tablets 1 g	
Regaine	
Regina Royal Jelly Capsules	
Reg-U-Lett Tablets	
Relanium Tablets 2 mg	
Relanium Tablets 5 mg	
Relanium Tablets 10 mg	
Relcofen Tablets	
Relcol Tablets	
Remegel Tablets	
Remnos Tablets 5 mg	
Remnos Tablets 10 mg	
Rennie Tablets	
Rennie Gold Tablets	
Rennie Plus Tablets	
Rennie Rap-Eze Tablets	
Replens Vaginal Moisturiser	
Resolve Granules	

**DRUGS AND OTHER SUBSTANCES NOT TO BE PRESCRIBED UNDER THE NHS
PHARMACEUTICAL SERVICES**

Roscorbic Tablets 25 mg	Seatone Capsules
Roscorbic Tablets 50 mg	Seatone Super Strength Capsules
Roscorbic Tablets 200 mg	Seaweed Vitamin A Ester BP & Vitamin D BP Capsules (Regent Laboratories)
Roscorbic Tablets 500 mg	Seba-Med Cleansing Bar
Rose Hip C-100 Capsules	Seba-Med Cream
Rose Hip C-200 Capsules	Seba-Med Facial Wash
Rose Hip Tablets (English Grains)	Seba-Med Lotion
Rose Hip Tablets (Potters)	Seba-Med Shampoo
Rose Hip Tablets (Roberts)	Sebbix Shampoo
Rosemary Bath	Secaderm Salve
Roskens Ultracare 3	Secloclin Capsules
Rosmax Syrup	Sedazin Tablets 1 mg
Roter Tablets	Sedazin Tablets 2.5 mg
Rovigon	Seldane Tablets
RRC1 Cream	Selenium ACE Tablets
Rubelix Syrup	Selora Sodium-free Salt Substitute
Rubraton B Elixir	Selsun Soft Conditioner
Ruby Tonic Tablets (Jacksons)	Senlax Tablets
Rum Cough Elixir	Senna Laxative Tablets (Boots)
Ruthmol	Senna Tablets (Potters)
Rutin Plus Tablets (Gerard)	Senokot Tablets
	Senotabs Tablets
Safapryn Tablets	Senselle Natural Feminine Moisture
Safapryn-Co Tablets	Sensodyne Toothpaste
Safflower Seed Oil	Serenid D Tablets 10 mg
Sainsbury's Aspirin Tablets 300mg	Serenid D Tablets 15 mg
Sainsbury's Cold Powders with Blackcurrant	Serenid Forte Capsules 30 mg
Sainsbury's Hot Lemon Powders	Sergeant's Dust Mite Patrol Powder
Sainsbury's Indigestion Tablets	Sertin Tablets
Sainsbury's Junior Soluble Aspirin Tablets	Setamol Soluble Tablets
Sainsbury's Paracetamol Tablets 500 mg	Setlers Extra Strength Tablets
Sainsbury's Soluble Aspirin Tablets	Setlers Liquid
St. Clements Fruit Juice Concentrate	Setlers Tablets
Salonair Spray	Seven Seas Antioxidant Beta Carotene Capsules
Salzone Syrup	Seven Seas Antioxidant Vitamin E Capsules
Salzone Tablets 500 mg	Seven Seas Beta Carotene Capsules
Sanatogen Childrens Vitamins Plus Minerals	Seven Seas Calcium Chewables (Chewable Caps)
Sanatogen Cod Liver Oil Capsules	Seven Seas Cod Liver Oil
Sanatogen Garlic Oil Perle One-A-Day	Seven Seas Evening Primrose Oil Capsules
Sanatogen Junior Vitamins Tablets	Seven Seas Folic Acid & Vitamin B12 One-A-Day Tablets
Sanatogen Multivitamin Plus Iron (Formula One) Tablets	Seven Seas Formula 70 Multivitamin- Multimineral Capsules
Sanatogen Multivitamins Tablets	Seven Seas Garlic Oil Perles
Sanatogen Multivitamins & Calcium Tablets	Seven Seas Iron Chewables (Chewable Caps)
Sanatogen Nerve Tonic Powder	Seven Seas Korean Ginseng Capsules
Sanatogen Selected Multivitamins Plus Iron (Formula Two) Tablets	Seven Seas Lecithin Capsules
Sanatogen Tonic	Seven Seas Magnesium Berries
Sanatogen Vitamin B6 Capsules	Seven Seas Malt and Cod Liver Oil
Sanatogen Vitamin E Capsules	Seven Seas Multivitamin & Mineral Capsules
Sancos Compound Linctus	Seven Seas Natural Vitamin E in Wheatgerm Capsules
Sancos Syrup	Seven Seas Orange Syrup & Cod Liver Oil
Savant Tablets	Seven Seas Pulse Capsules
Savlon Dry Skin Cream	Seven Seas Pure Cod Liver Oil Capsules
Saxin	Seven Seas Pure Starflower Oil
SBL Junior Cough Linctus	Seven Seas Selenium E & Cod Liver Oil Capsules
SBL Soothing Bonchial Linctus	Seven Seas Start Right Cod Liver Oil for Babies
Schar Gluten Free Sponge Cake	Seven Seas Vitamin and Mineral Tonic
Scholl Foot Refresher Spray	Seven Seas Wheatgerm Oil Capsules
Scott's Cod Liver Oil Capsules	Seven Seas Zinc Chewables (Chewable Caps)
Scott's Emulsion	Sidros Tablets
Scott's Husky Biscuits	Silk-Lax Tablets

**DRUGS AND OTHER SUBSTANCES NOT TO BE PRESCRIBED UNDER THE NHS
PHARMACEUTICAL SERVICES**

Siloxyl Suspension	Steradent Mouthwash
Siloxyl Tablets	Steri-Clens Solution
Simeco Suspension	Steri-Solve Soft Lens Solution
Simeco Tablets	Sterling Health Salts Effervescent
Simple Hair Conditioner	Sterling Indigestion Tablets
Simple Moisturising Lotion	Sterling Paracetamol Tablets
Simple Night Cream	Sterogyl Alcoholic Solution
Simple Protective Moisture Cream	Stomach Aids Tablets
Simple Refreshing Shower Gel	Stomach Mixture (Herbal Laboratories)
Simple Shampoo	Stomach Mixture H138 (Southon Laboratories)
Simple Soap	Stomach Powder (Diopharm)
Simple Sun Block	Stomach Tablets (Ulter)
Simple Talcum Powder	Stop 'N' Grow Nail Biting Deterrent
Sine-Off Tablets	Street's Cough Mixture
Sinitol Capsules	Strengthening Mixture (Hall's)
Sinutab Tablets	Stress B Supplement Tablets
Sionon Sweetner	Strychnine & Iron Mixture BPC 1963
Skin Glow Capsules	Strychnine Mixture BPC 1963
Slim-Fast Meal Replacement	Stute Diabetic Blackcurrant Jam
SMA Gold Cap Powder and Ready-to- Feed	Stute Diabetic Marmalade
SMA Powder and Concentrated Liquid	Sudafed Co Tablets
Snufflebabe Vapour Rub	Sudafed Expectorant
Soaclens Solution	Sudafed Linctus
Soframycin Ointment	Sudafed Nasal Spray
Softab Soft Lens Care Tablets	Sudocrem Baby Lotion
Solgar Cartilade Capsules	Suleo C Shampoo
Solgar Ester-C Tablets	Sun E45 Lotion SPF8
Solgar Evening Primrose Oil	Sunerven Tablets
Solgar Glucosamine Sulfate Tablets	Sunnyvale Gluten-Free Rich Plum Pudding
Solgar Maxi Coenzyme Q10 Capsules	Sun Yums Gluten Free & Dairy Free Almond & Coconut Cake
Solgar Maxi L-Carnitine Tablets	Sun Yums Gluten Free & Dairy Free Banana & Sesame Seed Cake
Solgar Provatene Softgel Capules	Sun Yums Gluten Free & Dairy Free Carob & Mint Cake
Solis Capsules 2 mg	Sun Yums Gluten Free & Dairy Free Ginger & Pecan Nut Cake
Solis Capsules 5 mg	Sun Yums Gluten Free & Dairy Free Jaffa Spice Cake
Solis Capsules 10 mg	Super Plenamins Tablets
Solmin Tablets	Super Yeast + C Tablets
Solpadeine Capsules	Superdophilus Powder
Solpadeine Forte Tablets	Superdrug Health Salts
Solpadeine Tablets	Superdrug Heat Spray
Solpadeine Tablets Effervescent	Supradyn Capsules
Solprin Tablets	Supradyn Effervescent Tablets
Soluble Aspirin Tablets for Children (Boots)	Supradyn Tablets for Children
Soluble Phensic Tablets	Surbex-T Tablets
Solusol Solution	Surem Capsules 5 mg
Sominex Tablets	Surem Capsules 10 mg
Somnite Suspension 2.5 mg/5 ml	Surelax Laxative Tablets
Somnite Tablets 5 mg	Sweetex
Soquette Soaking Solution	Sylopal Suspension
Sovol Liquid	Sylphen Tablets
Sovol Tablets	Syn-Ergel
Soya Powder & Nicotinamide Tablets	Syndol Tablets
SP Cold Relief Capsules	Syrtsussar Cough Syrup
Special E Moisture Cream	
Special Stomach Powder (Halls)	
Spectraban 4 Lotion	
SPHP Tablets	
SPS Low-Protein Drink	
Squill Linctus Opiate BP (Gee's Linctus)	
Squill Linctus Opiate, Paediatric, BP	
Squire's Soonax Tablets	
SR2310 Expectorant	T-Zone Decongestant Tablets
SR Toothpaste (Gibbs)	Tabasan Tablets
Staffords Mild Aperient Tablets	Tablets No B006
Staffords Strong Aperient Tablets	Tablets No B011
	Tablets No B015

**DRUGS AND OTHER SUBSTANCES NOT TO BE PRESCRIBED UNDER THE NHS
PHARMACEUTICAL SERVICES**

Tablets No B024	Tablets to Formula A270
Tablets No B025	Tablets to Formula A271
Tablets No B029	Tablets to Formula A272
Tablets No B034	Tablets to Formula A273
Tablets No B035	Tablets to Formula A274
Tablets No B036	Tablets to Formula A275
Tablets No B037	Tablets to Formula A276
Tablets No B038	Tablets to Formula A277
Tablets No B040	Tablets to Formula A298
Tablets No B041	Tablets to Formula A301
Tablets No B045	Tablets to Formula A316
Tablets No B048	Tablets to Formula BA6
Tablets No B070	Tablets to Formula B10
Tablets No 268A (Potters)	Tablets to Formula B15
Tablets to Formula A10	Tablets to Formula B18
Tablets to Formula A11	Tablets to Formula B19
Tablets to Formula A18	Tablets to Formula B20
Tablets to Formula A19	Tablets to Formula B21
Tablets to Formula A20	Tablets to Formula B22
Tablets to Formula A22	Tablets to Formula B25
Tablets to Formula A23	Tablets to Formula B26
Tablets to Formula A31	Tablets to Formula B29
Tablets to Formula A32	Tablets to Formula B41
Tablets to Formula A33	Tablets to Formula B48
Tablets to Formula A45	Tablets to Formula B51
Tablets to Formula A51	Tablets to Formula B56
Tablets to Formula A63	Tablets to Formula B58
Tablets to Formula A67	Tablets to Formula B64
Tablets to Formula A68	Tablets to Formula B65
Tablets to Formula A69	Tablets to Formula B66
Tablets to Formula A70	Tablets to Formula B67
Tablets to Formula A71	Tablets to Formula B68
Tablets to Formula A105	Tablets to Formula B70
Tablets to Formula A111	Tablets to Formula B71
Tablets to Formula A114	Tablets to Formula B72
Tablets to Formula A120	Tablets to Formula B73
Tablets to Formula A147	Tablets to Formula B74
Tablets to Formula A157	Tablets to Formula B75
Tablets to Formula A158	Tablets to Formula B76
Tablets to Formula A161	Tablets to Formula B77
Tablets to Formula A162	Tablets to Formula B78
Tablets to Formula A164	Tablets to Formula B79
Tablets to Formula A165	Tablets to Formula B80
Tablets to Formula A166	Tablets to Formula B81
Tablets to Formula A167	Tablets to Formula B82
Tablets to Formula A169	Tablets to Formula B83
Tablets to Formula A175	Tablets to Formula B85
Tablets to Formula A183	Tablets to Formula B86
Tablets to Formula A184	Tablets to Formula B87
Tablets to Formula A190	Tablets to Formula B90
Tablets to Formula A195	Tablets to Formula B91
Tablets to Formula A202	Tablets to Formula B93
Tablets to Formula A203	Tablets to Formula B94
Tablets to Formula A213	Tablets to Formula B96
Tablets to Formula A221	Tablets to Formula B98
Tablets to Formula A244	Tablets to Formula B100
Tablets to Formula A245	Tablets to Formula B102
Tablets to Formula A246	Tablets to Formula B104
Tablets to Formula A247	Tablets to Formula B117
Tablets to Formula A248	Tablets to Formula B118
Tablets to Formula A249	Tablets to Formula B120
Tablets to Formula A250	Tablets to Formula B122
Tablets to Formula A264	Tablets to Formula B124
Tablets to Formula A266	Tablets to Formula B128

**DRUGS AND OTHER SUBSTANCES NOT TO BE PRESCRIBED UNDER THE NHS
PHARMACEUTICAL SERVICES**

Tablets to Formula B141	Tidmans Bath Sea Salt
Tablets to Formula B143	Tidman's Sea Salt Coarse
Tablets to Formula B145	Tiger Balm Liquid
Tablets to Formula B148	Tiger Balm Red
Tablets to Formula B156	Tiger Balm White
Tablets to Formula B157	Timotei Herbal Shampoo
Tablets to Formula B158	Tinaderm Cream
Tablets to Formula B160	Titan Hard Cleanser
Tablets to Formula B163	Tixylix Cough and Cold Linctus
Tablets to Formula B169	Tixylix Cough Linctus
Tablets to Formula B178	Tixylix Day-Time Cough Linctus
Tablets to Formula B180	Tixylix Decongestant Inhalant Capsules
Tablets to Formula B181	Tolu Compound Linctus Paediatric BP
Tablets to Formula B182	Tolu Solution BP
Tablets to Formula B190	Tolu Syrup BP
Tablets to Formula B193	Tonatexa Mixture
Tablets to Formula B207	Tonic Tablets (Thomas Guest)
Tablets to Formula B209	Tonic Wines
Tablets to Formula B210	Tonivitan A & D Syrup
Tablets to Formula B211	Tonivitan B Syrup
Tablets to Formula B212	Tonivitan Capsules
Tablets to Formula B213	Top C Tablets
Tablets to Formula B214	Topfit Amino Acid Powder
Tablets to Formula B215	Topfit L Threonine + Vitamin B6 Capsules
Tablets to Formula B216	500/12.5mg
Tablets to Formula B217	Toptabs
Tablets to Formula B218	Total All Purpose Solution
Tablets to Formula B222	Total Nutrient Liquid
Tablets to Formula B223	Totavit D R Capsules
Tablets to Formula B224	Totolin Paediatric Cough Syrup
Tablets to Formula B225	Tramril Capsules
Tablets to Formula B227	Trancoprin Tablets
Tablets to Formula B228	Transclean Cleaning Solution
Tablets to Formula B231	Transdrop
Tablets to Formula B234	Transoak Solution
Tablets to Formula B235	Transol Solution
Tablets to Formula B236	Tranxene Capsules 7.5 mg
Tablets to Formula B243	Tranxene Capsules 15 mg
Tablets to Formula B248	Tranxene Tablets 15 mg
Tablets to Formula B250	Triludan Forte Tablets 7-tablet pack
Tablets to Formula B251	Triludan Tablets 10-tablet pack
Tablets to Formula B252	Triocos Linctus
Tabmint Anti-Smoking Chewing Gum Tablets	Triogesic Elixir
Tanacet Feverfew 125	Triogesic Tablets
Tancolin Childrens Cough Linctus	Triominic Syrup
Tedral Expectorant	Triominic Tablets
Temazepam Gelthix Capsules	Triopaed Linctus
Temazepam Planpak	Triotussic Suspension
Temazepam Soft Gelatin Gel-Filled Capsules	Triovit Tablets
Tenaset Wash Cream	Triple Action Cold Relief Tablets
Tenaset Wash Cream (Unperfumed)	Tropium Capsules 5 mg
Tensium Tablets 2 mg	Tropium Capsules 10 mg
Tensium Tablets 5 mg	Tropium Tablets 5 mg
Tensium Tablets 10 mg	Tropium Tablets 10 mg
Tercoda Elixir	Tropium Tablets 25 mg
Tercolix Elixir	Trufree Crispbran
Terpalin Elixir	Trufree Tandem IQ Tablets
Terperoin Elixir	Trufree Vitamin & Minerals Tablets
Terpoin Antitussive	Tudor Rose Bay Rhum
Terrabron	Tums Tablets
T-Gel Conditioner	Tusana Linctus
Thermogene Medicated Rub	Tussifans Syrup
Thixo-D Thickened Drink Mixes	Tussimed Liquid
Three Noughts Cough Syrup	Two-A-Day Iron Jelloids Tablets

**DRUGS AND OTHER SUBSTANCES NOT TO BE PRESCRIBED UNDER THE NHS
PHARMACEUTICAL SERVICES**

Tymasil	Veganin Tablets
Tyson's Catarrh Syrup	Veno's Adult Formula Cough Mixture
	Veno's Cough Mixture
	Veno's Honey & Lemon Cough Mixture
Ucerax Tablets	Veracolate Tablets
Udenum Gastric Vitamin Powder	Verdiviton Elixir
Ultracach Analgesic Capsules	Vervain Compound Tablets
Ultradal Antacid Stomach Tablets	Vichy Total Sunscreen
Ultralief Tablets	Vicks Coldcare Capsules
Uncoated Tablets to Formula A323	Vicks Cremacoat Syrup
Uncoated Tablets to Formula A325	Vicks Cremacoat Syrup with Doxylamine Succinate
Undecyn Capsules	Vicks Cremacoat Syrup with Guaiphenesin
Unguentum Merck Cream 60g	Vicks Cremacoat Syrup with Paracetamol & Dextromethorphan
Unicap M Tablets	Vicks Daymed
Unicap T Tablets	Vicks Formula 44 Cough Mixture
Unichem Baby Oil	Vicks Inhaler
Unichem Chesty Cough Linctus	Vicks Medinite
Unichem Children's Dry Cough Linctus	Vicks Pectorex Solution
Unichem Cod Liver Oil Capsules	Vicks Sinex Nasal Spray
Unichem Cold Relief Capsules	Vicks Vapo-Lem Powder Sachets
Unichem Cold Relief Day-Time Liquid	Vicks Vaporsyrup Children's Dry Cough
Unichem Cold Relief Night-Time Liquid	Vicks Vaporsyrup for Chesty Coughs
Unichem Cold Relief Powders	Vicks Vaporsyrup for Chesty Coughs and Nasal Congestion
Unichem Dry Cough Linctus	Vicks Vaporsyrup for Dry Coughs
Unichem Extract of Malt with Cod Liver Oil	Vicks Vaporsyrup for Dry Coughs and Nasal Congestion
Unichem Multivitamins + Iron Tablets	Vicks Vapour Rub
Unichem Multivitamins & Minerals One-A-Day Capsules	Vi-Daylin Syrup
Uniflu Tablets	Videnal Tablets
Unigesic Capsules	Vigour Aids Tablets
Unigest Tablets	Vigranon B Complex Tablets
Unisomnia Tablets 5 mg	Vigranon B Syrup
United Skin Care Programme (Uni-Derm; Uni-Salve; Uni-Wash)	Vikelp Coated Tablets
Uvistat Aftersun Lotion	Vikonon Tablets
Uvistat Baby Sun Cream SPF 12	Villescon Liquid
Uvistat Cream SPF 4	Villescon Tablets
Uvistat Facial Cream SPF 8	Viobin Octacosanol Tablets 50,000mcg
Uvistat Facial Cream SPF 22	Viobin Pancreatin Tablets 325mg
Uvistat Lipscreen SPF 5 Lipstick	Vipro Vegetable Protein
Uvistat SPF 8 Suncream	Virvina Elixir
Uvistat SPF 10 Suncream	Vitabrit Beta Carotene Capsules
Uvistat Sun Lotion SPF 6	Vita Diem Multi Vitamin Drops
Uvistat Sun Lotion SPF 8	Vita-E 200 (D-Alpha Tocopherol) Capsules
	Vita-E Cream
Vadarex Wintergreen Heat Rub	Vita-E Ointment
Vagisil Feminine Powder	Vital Dophilus Powder
Valium Capsules 2 mg	Vitalia Calcium Formula A + D Tablets
Valium Capsules 5 mg	Vitalia Lecithin Capsules High Potency
Valium Syrup 2 mg/5 ml	Vitalia Multivitamins & Minerals Children's Chewable Sugar-Free Tablets
Valium Tablets 2 mg	Vitalia Multivitamin & Minerals with Iron Tablets
Valium Tablets 5 mg	Vitalia Multivitamin & Minerals Tablets without Iron
Valium Tablets 10 mg	Vitalia Natural E Capsules
Valonorm Tonic Solution	Vitalia Vitamin A Tablets
Valrelease Capsules	Vitalia Vitamin B Complex Super Tablets
Vanamil Tablets	Vitalia Vitamin B6 Tablets
Vantage Baby Shampoo	Vitalia Vitamin C Chewable Tablets
Vantage Garlic One-A-Day Capsules	Vitalia Vitamin E Tablets
Vantage Halibut Fish Oil One-A-Day Capsules	Vitalia Zinc Amino Acid Chelated Tablets 15mg
Vantage Sterilising Fluid	Vitalia Zinc Chelated Tablets
Vapex Inhalent	Vitalife Vital E Capsules
Vaseline Intensive Care Lotion	Vitalife Vitamin B6 Capsules
Vaseline Intensive Care Lotion Herbal and Aloe	
Vega Glucosamine Sulphate Capsules	

**DRUGS AND OTHER SUBSTANCES NOT TO BE PRESCRIBED UNDER THE NHS
PHARMACEUTICAL SERVICES**

Vitalife Vitamin B Complex Tablets	Wate-on Tablets Super
Vitalin Tablets	Wate-on Tonic
Vitalzymes Capsules	Waterhouses All Fours
Vitamin & Iron Tonic (Epitone) Solution	Wines
Vitamin A & D Capsules BPC 1968 (Regent Laboratories)	Woodwards Nursery Cream
Vitamin A Ester & Vitamin D2 Capsules (Regent Laboratories)	Wrights Glucose with Vitamin D Powder
Vitamin A Ester Capsules (Regent Laboratories)	Wrights Vaporizing Fluid
Vitamin A Ester Conc. Alpha Tocopherol Acetate Nat Capsules (Regent Laboratories)	Xanax Tablets 0.25 mg
Vitamin A 4500 Units & Vitamin D2 Capsules (Regent Laboratories)	Xanax Tablets 0.5 mg
Vitamin A 6000 Units & Vitamin D2 Capsules (Regent Laboratories)	Xanax Tablets 1.0 mg
Vitamin A, C & D Tablets (Approved Prescription Services)	Yeast & B12 Tablets (English Grains)
Vitamin A, D & C Tablets (Regent Laboratories)	Yeast Plus Tablets (Thomas Guest)
Vitamin B Complex Tablets (English Grains)	Yeast-Vite Tablets
Vitamin B Complex with Brewer's Yeast Tablets (English Grains)	Yellow Phenolphthalein Tablets (any strength)
Vitamin B1 Dried Yeast Powder (Distillers)	Yestamin Vitamin B5 Tablets
Vitamin B1 Yeast Tablets (Distillers)	Zactirin Tablets
Vitamin B12 Tablets 0.01 mg	Zam Buk Ointment
Vitamin B12 Tablets 0.025 mg	Zefringe Sachets
Vitamin B12 Tablets 0.05 mg	Zemaphyte Chinese Herbal Eczema Remedy
Vitamin B12 Tablets 0.10 mg	Zendium Toothpaste
Vitamin B12 Tablets 0.25 mg	Zenoxone Cream
Vitamin B12 Tablets 0.5 mg	Zirtek 7
Vitamin B12 Tablets 1 mg	Zubes Expectorant Cough Syrup
Vitamin C Tablets (G & G Food Supplies)	Zubes Original Cough Mixture
Vitamin C Tablets Effervescent 1g	Zyriton Expectorant Linctus
Vitamin Capsules (Regent Laboratories)	
Vitamin Malt Extract with Orange Juice (Distillers)	
Vitamin Mineral Capsules (Regent Laboratories)	
Vitamin Tablets No B077	
Vitamin Tablets No B081	
Vitamin Tablets No B084	
Vitaminised Iron & Yeast Tablets (Kirby Warrick Pharmaceuticals)	
Vita Natura Evening Primrose Oil + Vitamin E Tablets	
Vitanorm Malt Extract	
Vitanorm Malt Extract Syrup	
Vitapointe Conditioner	
Vitasafe's CF Kaps Tablets	
Vitasafe's WCF Kaps Tablets	
Vita-Six Capsules	
Vitathone Chilblain Tablets	
Vitotrop Tablets	
Vitavel Powder for Syrup	
Vitavel Solution	
Vitepron Tablets	
Vitorange Tablets	
Vitrite Multi-Vitamin Syrup	
Vykamin Fortified Capsules	
W L Tablets	
Wallachol Syrup	
Wallachol Tablets	
Wate-on Emulsion	
Wate-on Emulsion Super	
Wate-on Tablets	

**DRUGS AND OTHER SUBSTANCES NOT TO BE PRESCRIBED UNDER THE NHS
PHARMACEUTICAL SERVICES**

This Page is Intentionally Blank

**DRUGS TO BE PRESCRIBED IN CERTAIN CIRCUMSTANCES UNDER THE NHS
PHARMACEUTICAL SERVICES**

Part XVIII B reproduces Schedule 2 to the National Health Service (General Medical Services Contracts) (Prescription of Drugs etc.) Regulations 2004.

Drugs in Column 1 of this part may be prescribed for persons mentioned in Column 2, only for the treatment of the purpose specified in Column 3. The Doctor must endorse the prescription with the reference "SLS".

Drug	Patient	Purpose
Clobazam	Any patient	Epilepsy
Cyanocobalamin Tablets	A patient who is a vegan or who has a proven vitamin B12 deficiency of dietary origin.	Treatment or prevention of vitamin B12 deficiency.
Locabiotol Aerosol	Any patient	Treatment of infections and inflammation of the oropharynx.
Niferex Elixir 30ml Paediatric Dropper Bottle	Infants born prematurely	Prophylaxis in treatment of iron deficiency
Nizoral Cream	Any patient	Treatment of seborrhoeic dermatitis and pityriasis versicolor
The following drugs for the treatment of erectile dysfunction - Alprostadil (Caverject), (MUSE), (Viridal) Apomorphine Hydrochloride (Uprima) Moxisylyte Hydrochloride (Erecnos) Sildenafil (Viagra) Tadalafil (Cialis) Thymoxamine Hydrochloride (Erecnos) Vardenafil (Levitra)	a) a man with erectile dysfunction who on 14 September 1998 was receiving a course of treatment under the Act, the National Health Service (Scotland) Act 1978(a) or the Health and Personal Social Services (Northern Ireland) Order 1972(b) for this condition with any of the following drugs - Alprostadil (Caverject), (MUSE), (Viridal) Apomorphine Hydrochloride (Uprima) Moxisylyte Hydrochloride (Erecnos) Sildenafil (Viagra) Tadalafil (Cialis) Thymoxamine Hydrochloride (Erecnos); or	Treatment of erectile dysfunction.

XVIII B

(a) 1978 c.29

(b) SI 1972/1265 (NI 14)

* For information relating to 'vacuum pumps' and 'constrictor rings' - see Part IXA

**DRUGS TO BE PRESCRIBED IN CERTAIN CIRCUMSTANCES UNDER THE NHS
PHARMACEUTICAL SERVICES**

Drug	Patient	Purpose
The following drugs for the treatment of erectile dysfunction - Alprostadil (Caverject), (MUSE), (Viridal) Apomorphine Hydrochloride (Uprima) Moxisylyte Hydrochloride (Ereynos) Sildenafil (Viagra) Tadalafil (Cialis) Thymoxamine Hydrochloride (Ereynos) Vardenafil (Levitra)	<p>b) a man who is a national of an EEA State who is entitled to treatment by virtue of Article 7(2) of Council Regulation 1612/68(c) as extended by the EEA Agreement or by virtue of any other enforceable Community right who has erectile dysfunction and was on 14th September 1998 receiving a course of treatment under a national health insurance system of an EEA State for this condition with any of the drugs listed in sub-paragraph (a); or</p> <p>c) a man who is not a national of an EEA State but who is the member of the family of such a national who has an enforceable Community right to be treated no less favourably than the national in the provision of medical treatment and has erectile dysfunction and was being treated for that condition on 14th September 1998 with any of the drugs listed in sub-paragraph (a); or</p> <p>d) a man who is suffering from any of the following - diabetes multiple sclerosis Parkinson's disease poliomyelitis prostate cancer severe pelvic injury single gene neurological disease spina bifida spinal cord injury; or</p> <p>e) a man who is receiving treatment for renal failure by dialysis; or</p> <p>f) a man who has had the following surgery - prostatectomy radical pelvic surgery renal failure treated by transplant.</p>	Treatment of erectile dysfunction - cont.

(c) OJ No.L257, 19.10.68, p.22 (OJ/SE 1968(II) p.475)

* For information relating to 'vacuum pumps' and 'constrictor rings' - see Part IXA

CRITERIA NOTIFIED UNDER THE TRANSPARENCY DIRECTIVE

Criteria notified to the European Commission under Article 7 of the Council Directive relating to the transparency of measures regulating the pricing of medicinal products for human use and their inclusion in the scope of national health insurance schemes (89/105/EEC)

The following six criteria have been separately notified by the UK Government to the European Commission since 1989 to comply with Article 7 of the Transparency Directive.

First, under the Selected List Scheme, medicinal products in seventeen therapeutic categories which are excluded from prescription on the grounds that, on expert advice, they had no clinical or therapeutic advantage over other, cheaper, drugs in the following categories:-

- mild to moderate painkillers
- indigestion remedies
- laxatives
- cough and cold remedies
- vitamins
- tonics
- benzodiazepine sedatives and tranquillisers
- anti-diarrhoeal drugs
- drugs for allergic disorders
- hypnotics and anxiolytics
- appetite suppressants
- drugs for vaginal and vulval conditions
- contraceptives
- drugs used in anaemia
- topical anti-rheumatics
- drugs acting on the ear and nose
- drugs acting on the skin

Second, products may be considered as "borderline substances" which are not truly medicinal products with clinical or therapeutic value and are excluded from NHS prescription on that ground.

Third, as well as being freely available on sale over the counter to the general public the cost to the NHS if the product(s) were to be supplied on prescription could not be justified at any price likely to be economic to the manufacturer and that the supply of the product is not considered a priority for the use of the limited resources available to the NHS.

Fourth, that products which nonetheless may meet a legitimate clinical or therapeutic need when properly prescribed, are subject to misuse by drug misusers, and such misuse, or the manner in which the product is administered by drug misusers, gives rise to the risk of physical or mental morbidity and alternative products are available to meet all legitimate clinical or therapeutic needs.

Fifth, a medicinal product or a category of medicinal products may be excluded entirely from supply on NHS prescription. It may alternatively be excluded except in specified circumstances, or except in relation to specified conditions or categories of condition, or specified categories of patient. A medicinal product or a category of them may be so excluded where the forecast aggregate cost to the NHS of allowing the product (or category of products) to be supplied on NHS prescription, or to be supplied more widely than the permitted exceptions, could not be justified having regard to all the relevant circumstances including in particular: the Secretary of State's duties pursuant to the NHS Act 1977 and the priorities for expenditure of NHS resources.

Sixth, products which comprise an injection device prefilled with a drug may be excluded from supply on NHS prescription if the same drug is available and can be used more economically in a container which may be used in conjunction with a refillable injection device.

CRITERIA NOTIFIED UNDER THE TRANSPARENCY DIRECTIVE

This Page is Intentionally Blank

PAYMENTS TO CHEMISTS SUSPENDED BY DIRECTION OF THE NHS TRIBUNAL

This Determination is made by the Secretary of State pursuant to regulation 18A of the National Health Service (Pharmaceutical Services) Regulations 1992¹.

1. Interpretation

- 1.1 Unless the context otherwise requires, words and phrases used in this Determination have the same meaning as they have in the National Health Service (Pharmaceutical Services) Regulation 1992.
- 1.2 Any reference in this Determination to a numbered regulation is to the regulation bearing that number in the National Health Service (Pharmaceutical Services) Regulations 1992.

2. Calculation of payments to be made to suspended chemists

- 2.1 Where a chemist is suspended by direction of the Tribunal, the PCT for England and LHB for Wales shall make payments to him, calculated in accordance with this Determination.
- 2.2 Where the suspended chemist has undertaken to provide pharmaceutical services from two or more premises in the PCT's for England and LHB's for Wales area, payments shall be calculated separately in respect of each of those premises.
- 2.3 Upon receipt of a claim from the chemist, the PCT for England and LHB for Wales shall pay to the suspended chemist in respect of each complete calendar month during which he is suspended an amount equal to his reference remuneration, calculated in accordance with paragraph 3.
- 2.4 For any calendar month during which the chemist was suspended for less than the whole month, payment shall be reduced pro rate to the number of days (including weekends and Bank Holidays) during which the chemist was suspended.
- 2.5 If when the chemist is first suspended, the PCT for England and LHB for Wales does not have available to it all the details of the fees and allowances which it needs in order to calculate reference remuneration in accordance with paragraph 3, it shall estimate the reference remuneration on the basis of the information which is available to it, and make payments accordingly. When the full information becomes available, it shall recalculate the reference remuneration, and adjust its payments accordingly.
- 2.6 The PCT for England and LHB for Wales shall also recalculate the reference remuneration (and, where appropriate, any additional payment or deduction under paragraphs 6 to 9) if the chemist ceases to be included in the pharmaceutical list in respect of any premises, or if the PCTs for England and LHBs for Wales receives new information about the fees and allowances to which he was entitled. It shall adjust its monthly payments accordingly.

3. Reference Remuneration

- 3.1 A chemist's 'reference remuneration' is the total of the relevant fees and allowances (as defined in paragraph 4) to which he was entitled in respect of the relevant period (as defined in paragraph 5) in relation to the premises in question, divided by the number of months in the relevant period.
- 3.2 For example, if the relevant fees and allowances for a given set of premises come to £12,000, and the relevant period for those premises is ten months, the reference remuneration will be £12,000/10 = £1200. If the relevant period is the full twelve months, the reference remuneration would be £12,000/12 = £1000.
- 3.3 Where a chemist is included in the PCT's for England and LHB's for Wales pharmaceutical list both as a person who has undertaken to provide pharmaceutical services by way of the provision of drugs and by way of the provision of appliances in respect of the same premises, and the relevant period for the two types of service differ, the two sets of relevant fees and allowances shall be calculated separately for the purposes of determining reference remuneration.

¹ S.I. 1992/662. The relevant amending instrument is S.I. 1996/698

PAYMENTS TO CHEMISTS SUSPENDED BY DIRECTION OF THE NHS TRIBUNAL

4. Relevant Fees and Allowances

- 4.1 Relevant fees and allowances means:
- (a) Standard Professional Fees payable under clause 1 of Part IIIA of the Drug Tariff;
 - (b) Additional Fees payable under clause 2 of Part IIIA;
 - (c) Special Fees payable under clause 3 of Part IIIA;
 - (d) Fees for dispensing appliances, payable under Part IIIB;
 - (e) Payment for Additional Professional Services payable under Part VIA;
 - (f) On-Cost Allowance for Appliance Contractors payable under Part VIB;
 - (g) Payments under the Essential Small Pharmacies Scheme payable under Part XII;
 - (h) Payment in respect of Pre-Registration Trainees under Part XIII;
 - (i) Payments for Oxygen Therapy Services (including service element and hardware, but excluding compensation for financial loss in respect of oxygen equipment, paid under regulation 18(1)(i)) as determined by the PCT for England and LHB for Wales.)
- 4.2 For the purposes of calculating reference remuneration, relevant fees and allowances to which the chemist was entitled in respect of any part of the relevant period (as defined in paragraph 5) prior to 1 October 2000, other than those listed at (d) and (f) in the preceding paragraph, shall be increased by 3%.
- 4.3 For example, if the relevant period were to be January 2000 to December 2000, reference remuneration would be calculated by reference to

the relevant fees and allowances for January to September 2000, increased by 3%; and

the relevant fees and allowances for October to December 2000, without any increase.

5. Relevant Period

- 5.1 Where, prior to the suspension, the chemist has been included in the pharmaceutical list in respect of premises for less than 12 complete calendar months, the relevant period for those premises is the number of complete calendar months during which the chemist was so included in the pharmaceutical list.
- 5.2 In all other cases, the relevant period is the last twelve complete calendar months immediately prior to the suspension.
- 5.3 For example, if a chemist is suspended on 12 November 2000, the relevant period for each set of premises would normally be 1 November 1999 to 31 October 2000 (ie 12 months). But if the chemist was first included in the pharmaceutical list on 3 March 2000, the relevant period will be 1 April 2000 to 31 October 2000 (ie 6 months).
- 5.4 Where a chemist has, under regulation 4(3)(a), relocated the premises from which he provides pharmaceutical services, only the period after that relocation (or the last such relocation) is to form part of the relevant period.
- 5.5 Where the chemist began to provide pharmaceutical services from premises in place of another chemist under regulation 4(3)(b), only the period after that change of ownership is to form part of the relevant period.

6. Additional Payments

- 6.1 Where the PCT for England and LHB for Wales is satisfied that, but for suspension, a chemist would have been entitled to a higher rate of payment for Additional Professional Services in respect of the month in which he was suspended than he in fact received, the PCT for England and LHB for Wales shall make an additional payment to him.
- 6.2 That payment shall be the difference between the amount the chemist received in respect of that month and the amount to which, by reference to payments in previous months, the PCT for England and LHB for Wales believes he would have been entitled but for the suspension.

PAYMENTS TO CHEMISTS SUSPENDED BY DIRECTION OF THE NHS TRIBUNAL

- 6.3 Payment shall be made as soon as practicable after the PCT for England and LHB for Wales has available to it final details of the amount of Payment for Additional Professional Services that was actually made to the chemist in respect of the month in question.

7. Deductions from Payments**7.1 *Essential Small Pharmacies Scheme***

- 7.1.1 Where the PCT for England and LHB for Wales is satisfied that, but for suspension, a chemist would have been entitled under Part XII of the Drug Tariff to lower payments under the Essential Small Pharmacies Scheme in respect of the month during which he was suspended than he in fact received, the PCT for England and LHB for Wales shall make a deduction from its monthly payment to him.
- 7.1.2 That deduction shall be the difference between the amount the chemist received in respect of that month and the amount to which, by reference to payments in previous months, the PCT for England and LHB for Wales believes he would have been entitled but for the suspension.
- 7.1.3 Such deduction shall be made as soon as practicable after the PCT for England and LHB for Wales has available to it final details of the amount of payments under the Essential Small Pharmacies Scheme that was actually made to the chemist in respect of the month in question.

7.2 *On-cost allowance for Appliance Contractors*

- 7.2.1 Where the PCT for England and LHB for Wales is satisfied that, but for suspension, a supplier of appliances would have been entitled under Part VIB of the Drug Tariff to a lower level of on-cost allowance in respect of the month during which he was suspended than he in fact received, the PCT for England and LHB for Wales shall make a deduction from its monthly payment to him.
- 7.2.2 That deduction shall be the difference between the amount the supplier of appliances received in respect of that month and the amount to which, by reference to payments in previous months, the PCT for England and LHB for Wales believes he would have been entitled but for the suspension.
- 7.2.3 Such deduction shall be made as soon as practicable once the PCT for England and LHB for Wales has available to it final details of the level of on-cost that was actually paid to the supplier of appliances in respect of the month in question.

7.3 *Chemists providing pharmaceutical services other than as a principal*

- 7.3.1 Where a chemist contractor is suspended by the Tribunal, but there is not in force against him a declaration that he is unfit to be employed in any capacity in the provision of pharmaceutical services, the PCT for England and LHB for Wales shall reduce the payments it makes by the amount of any remuneration the suspended chemist earns by being engaged in the provision of pharmaceutical services otherwise than as a chemist contractor. The suspended chemist shall inform the PCT for England and LHB for Wales immediately of any such earnings.

8. Claims for payment

- 8.1 The suspended chemist shall claim payments under this determination, by notifying the PCT for England and LHB for Wales in writing. When first making the claim, and subsequently as necessary, the suspended chemist shall provide such information as the PCT for England and LHB for Wales may reasonably require for the purposes of establishing the chemist's entitlement to, or the level of, payments.

9. Arrangements for payment

- 9.1 Upon receipt of a claim from the suspended chemist, payments shall be made in arrears as soon as practicable following the end of each calendar month, starting at the end of the month following that in which the chemist was suspended. For example, if the chemist is suspended on 27 August, the first payment will be due as soon as practical after 30 September.

This Page is Intentionally Blank

INDEX

Numerics

3M Foam Adhesive Dressing **139**
 3M Foam Dressing **140**

A

AAA-Flex **98**
 Above-Knee Stockings Elastic **145**
 Absorbent Cellulose Dressing with Fluid
 Repellent Backing **124**
 Absorbent Cottons **93**
 Absorbent Dressing (Perforated) **124**
 Absorbent Dressing Pads, Sterile **124**
 Absorbent Gauze **146**
 Ribbon **147**
 Tissue **147**
 Absorbent Lint **153**
 Absorbent, Perforated Dressing with Adhesive
 Border **125**
 Absorbent, Perforated Plastic Film Faced,
 Dressing **124**
 Acacia **37**
 Acarbose 100mg tablets **37**
 Acarbose 50mg tablets **37**
 Acebutolol 100mg capsules **37**
 Acebutolol 200mg capsules **37**
 Acebutolol 400mg tablets **37**
 Aceclofenac 100mg tablets **37**
 Acemetacin 60mg capsules **37**
 Acenocoumarol 1mg tablets **37**
 Acetazolamide 250mg modified-release capsules
37
 Acetazolamide 250mg tablets **37**
 Acetic acid 33% liquid **37**
 Acetone **37**
 Acetylcysteine 5% eye drops **37**
 Aciclovir 200mg dispersible tablets **37**
 Aciclovir 200mg tablets **37**
 Aciclovir 200mg/5ml oral suspension sugar free
37
 Aciclovir 3% eye ointment **37**
 Aciclovir 400mg dispersible tablets **37**
 Aciclovir 400mg tablets **37**
 Aciclovir 400mg/5ml oral suspension sugar free
37
 Aciclovir 5% cream **37**
 Aciclovir 800mg dispersible tablets **37**
 Aciclovir Cream **497**
 Oral Suspension **497**
 Tablets **497**
 Actiban Bandage **101**
 Actico (Cohesive) Bandage **101**
 Acticoat **142**
 Acticoat 7 **142**
 Acticoat Absorbent **131, 142**
 Acti-Fast **157**
 ActiFormCool **137**
 Actisorb Silver 220 **129**
 Activa Leg Ulcer Hosiery Kit **168**
 Activated Charcoal Dressing **129**
 Active **386**
 Active II Vacuum Pump **166**
 ActivHeal **128, 130, 131, 133, 136, 139, 140**
 Activon Tulle **126**
 Acti-Wrap **100**
 Adapalene 0.1% cream **37**
 Adapalene 0.1% gel **37**

Additional Pharmacist Access Services **416**
 Adhesive Bandage Elastic **96**
 Adhesive Elastic Wound Dressing **126**
 Adhesive Felt **121**
 Adhesive Latex Foam **153**
 Adhesives
 Incontinence **169, 217**
 Skin **161**
 ADI Medical Dermasure **143**
 Adrenaline acid tartrate 1 in 1,000 injection 0.5ml
 ampoules **37**
 Adrenaline acid tartrate 1 in 1,000 injection 1ml
 ampoules **37**
 Adva-Co **97**
 Advadraw **131**
 Advantage II Strips **385**
 Advasil **141**
 Advasoft **101**
 Advazorb **140**
 Advice to Care Homes **415**
 Aerosol Inhalation
 Chamber Devices **94**
 Albustix **385**
 Alclometasone 0.05% cream **37**
 Alclometasone 0.05% ointment **37**
 Alendronic acid 10mg tablets **37**
 Alendronic acid 5mg tablets **37**
 Alendronic acid 70mg tablets **37**
 Alfacalcidol 1microgram capsules **37**
 Alfacalcidol 250nanogram capsules **37**
 Alfacalcidol 500nanogram capsules **37**
 Alfuzosin 10mg modified-release tablets **37**
 Alfuzosin 2.5mg tablets **37**
 Alginate Dressings **130—131**
 Algisite M **130**
 Algisite M-Rope **131**
 Algosteril **130**
 Algosteril Rope **131**
 Alimemazine 10mg tablets **37**
 Alimemazine 30mg/5ml oral solution **37**
 Alimemazine 7.5mg/5ml oral solution **38**
 Alione **135**
 Alldress **129**
 Allevyn **140**
 Adhesive **139**
 Cavity **131**
 Compression **140**
 Lite **138**
 Lite Island **138**
 Non Adhesive **140**
 Plus Adhesive **139**
 Plus Cavity **131**
 Thin **138**
 Allopurinol 100mg tablets **38**
 Allopurinol 300mg tablets **38**
 Almond Oil
 Ear Drops **499**
 Almond oil **38**
 Alpha Keri Bath Oil **500**
 Alprostadil 10microgram injection vials and
 diluent **38**
 Alprostadil 20microgram injection vials and
 diluent **38**
 Alprostadil 40microgram injection vials and
 diluent **38**
 Alprostadil 5microgram injection vials and diluent
38
 Alum **38**
 Alverine 120mg capsules **38**

Index

INDEX

- Alverine 60mg capsules **38**
 Amantadine 100mg capsules **38**
 Amantadine 50mg/5ml oral solution **38**
 Amaranth solution **38**
 Amiloride 2.5mg / Cyclopenthiiazide
 250microgram tablets **38**
 Amiloride 5mg / Bumetanide 1mg tablets **38**
 Amiloride 5mg tablets **38**
 Aminoglutethimide 250mg tablets **38**
 Aminophylline 25mg/ml injection 10ml ampoules
38
 Amiodarone 100mg tablets **38**
 Amiodarone 200mg tablets **38**
 Amisulpride 100mg tablets **38**
 Amisulpride 200mg tablets **38**
 Amisulpride 400mg tablets **38**
 Amisulpride 50mg tablets **38**
 Amitriptyline 10mg tablets **38**
 Amitriptyline 25mg tablets **38**
 Amitriptyline 25mg/5ml oral solution sugar free **38**
 Amitriptyline 50mg tablets **38**
 Amitriptyline 50mg/5ml oral solution sugar free **38**
 Amlodipine 10mg tablets **38**
 Amlodipine 5mg tablets **38**
 Ammonia and Ipecacuanha mixture **38**
 Ammonia solution aromatic **38**
 Ammonium acetate solution strong **38**
 Ammonium bicarbonate **38**
 Ammonium chloride **38**
 Ammonium chloride mixture **38**
 Amorolfine 0.25% cream **38**
 Amorolfine 5% paint **38**
 Amoxicillin
 Capsules **497**
 Oral Powder **497**
 Oral Suspension **497**
 Amoxicillin 125mg/1.25ml oral suspension
 paediatric **39**
 Amoxicillin 125mg/5ml oral suspension **39**
 Amoxicillin 125mg/5ml oral suspension sugar free
39
 Amoxicillin 1g injection vials **39**
 Amoxicillin 250mg capsules **39**
 Amoxicillin 250mg injection vials **39**
 Amoxicillin 250mg/5ml oral suspension **39**
 Amoxicillin 250mg/5ml oral suspension sugar free
39
 Amoxicillin 3g oral powder sachets sugar free **39**
 Amoxicillin 500mg capsules **39**
 Amoxicillin 500mg injection vials **39**
 Amphotericin
 Lozenges **497**
 Oral Suspension **497**
 Amphotericin 100mg tablets **39**
 Amphotericin 100mg/ml oral suspension sugar
 free **39**
 Amphotericin 10mg lozenges **39**
 Ampicillin
 Capsules **497**
 Oral Suspension **497**
 Ampicillin 125mg/5ml oral suspension **39**
 Ampicillin 250mg capsules **39**
 Ampicillin 250mg/5ml oral suspension **39**
 Ampicillin 500mg capsules **39**
 Anastrozole 1mg tablets **39**
 Animal Wool (Chiropody) **121**
 Anise oil **39**
 Anise water concentrated **39**
 Anklets, Elastic **145**
 Anusol Suppositories **33**
 Apomorphine 2mg sublingual tablets **39**
 Apomorphine 3mg sublingual tablets **39**
 Appliance Contractors - Provision for Payments
 for Prescriptions Dispensed Each Month **5—**
7
 Appliances
 Approved List **89—168**
 Bandages, Interpretation **95**
 Chiropody **121**
 Incontinence Appliances **169, 217**
 Limitation on Supply **3**
 Meaning of Basic Price **6**
 Out of Pocket Expenses **8**
 Prescription Charges **483**
 Provision for Determination of Basic Price **5**
 Technical Specifications **91—92**
 Applicator, Vaginal **93**
 Aquacel **136**
 Aquacel Ag **136**
 Aquacel Ag Ribbon **131**
 Aquacel Ribbon **131**
 Aquaflor **137**
 AquaForm Hydrogel **136**
 Aquagel Lubricating Jelly **153**
 Aqueous calamine cream **39**
 Aqueous Cream **499**
 Aqueous cream **39**
 Arachis Oil **499**
 Arachis oil **39**
 Arachis oil 130ml enema **39**
 Arachis Oil Enema **499**
 Arm Sling **93**
 Arthrease **162**
 Artificial Saliva **497**
 Artificial Saliva Substitutes **497**
 AS Saliva Orthana **497**
 Ascensia Autodisc **386**
 Ascensia Glucodisc **386**
 Ascensia Microfill **385**
 Ascensia Microlet Lancet **150**
 Ascorbic Acid
 Tablets **497**
 Ascorbic acid **39**
 Ascorbic acid 100mg tablets **39**
 Ascorbic acid 200mg tablets **39**
 Ascorbic acid 500mg tablets **39**
 Ascorbic acid 50mg tablets **39**
 Ashbourne Emollient Medicinal Bath Oil **500**
 Askina Biofilm **134**
 Aspirin **39**
 Aspirin 300mg dispersible tablets **40**
 Aspirin 300mg gastro-resistant tablets **40**
 Aspirin 300mg tablets **40**
 Aspirin 75mg dispersible tablets **40**
 Aspirin 75mg gastro-resistant tablets **40**
 Aspirin 75mg tablets **40**
 Aspirin Tablets
 Dispersible **497, 499**
 Asset Rings **167**
 Atenolol 100mg tablets **40**
 Atenolol 25mg tablets **40**
 Atenolol 25mg/5ml oral solution sugar free **40**
 Atenolol 50mg tablets **40**
 Atomizers **93—94**
 Atorvastatin 10mg tablets **40**
 Atorvastatin 20mg tablets **40**
 Atorvastatin 40mg tablets **40**
 Atorvastatin 80mg tablets **40**
 Atrauman **126**
 Atropine 1% eye drops **40**

INDEX

- Atropine 1% eye ointment **40**
 Atropine 600microgram tablets **40**
 Atropine 600micrograms/ml injection 1ml ampoules **40**
 Auranofin 3mg tablets **40**
 Auto Inflation Device **94**
 Autopen **148**
 Autopen 24 **148**
 Autopen Junior **148**
 Autopen Special Edition **148**
 Avance **142**
 Avance A **142**
 Azapropazone 300mg capsules **40**
 Azathioprine 25mg tablets **40**
 Azathioprine 50mg tablets **40**
 Azathioprine Tablets **33**
 Azelaic acid 20% cream **40**
 Azelastine 140micrograms/actuation nasal spray **40**
 Azithromycin
 Oral Suspension **497**
 Azithromycin 200mg/5ml oral suspension **40**
 Azithromycin 250mg capsules **40**
- B**
- Baclofen 10mg tablets **40**
 Baclofen 5mg/5ml oral solution sugar free **40**
 Bactigras - *See Chlorhexidine Gauze Dressing*
 Balneum **500**
 Balsalazide 750mg capsules **40**
 Bambuterol 10mg tablets **40**
 Bambuterol 20mg tablets **40**
 Bandages **95**
 Bandaging - Multi-Layer **98—99**
 Basic Price
 Meaning for Approved Appliances **3, 89**
 Meaning for Chemical Reagents **3**
 Baxter Water for Irrigation **152**
 Beclometasone 100microgram inhalation powder capsules **41**
 Beclometasone 100micrograms/actuation breath actuated inhaler **41**
 Beclometasone 100micrograms/actuation breath actuated inhaler CFC free **41**
 Beclometasone 100micrograms/actuation inhaler **41**
 Beclometasone 100micrograms/actuation inhaler CFC free **41**
 Beclometasone 200microgram inhalation powder capsules **41**
 Beclometasone 200micrograms/actuation inhaler **41**
 Beclometasone 250micrograms/actuation breath actuated inhaler **41**
 Beclometasone 250micrograms/actuation inhaler **41**
 Beclometasone 400microgram inhalation powder capsules **41**
 Beclometasone 50micrograms/actuation breath actuated inhaler **41**
 Beclometasone 50micrograms/actuation breath actuated inhaler CFC free **41**
 Beclometasone 50micrograms/actuation inhaler **41**
 Beclometasone 50micrograms/actuation inhaler CFC free **41**
 Beclometasone 50micrograms/actuation nasal spray **41**
- Beeswax white **41**
 Beeswax yellow **41**
 Belladonna
 Plaster **155**
 Below-Knee Stockings Elastic **144—146**
 Belts
 Suprapubic **158**
 Benadryl Allergy Relief Capsules **33**
 Bendroflumethiazide 2.5mg tablets **41**
 Bendroflumethiazide 5mg tablets **41**
 Benperidol 250microgram tablets **41**
 Benzoic acid compound ointment **41**
 Benzoin compound tincture **41**
 Benzoin tincture **41**
 Benzoyl peroxide 10% gel **41**
 Benzoyl peroxide 2.5% gel **41**
 Benzoyl peroxide 5% gel **41**
 Benzydamine
 Mouthwash **497**
 Oromucosal Spray **497**
 Benzydamine 0.15% mouthwash **41**
 Benzydamine 0.15% oromucosal spray **41**
 Benzydamine 3% cream **41**
 Benzyl benzoate **41**
 Benzyl benzoate 25% application **41**
 Benzylpenicillin 1.2g injection vials **42**
 Benzylpenicillin 600mg injection vials **42**
 Betahistine 16mg tablets **42**
 Betahistine 8mg tablets **42**
 Betamethasone 0.1% ear/eye/nose drops **42**
 Betamethasone dipropionate 0.05% / Calcipotriol 0.005% ointment **42**
 Betamethasone valerate 0.025% cream **42**
 Betamethasone valerate 0.025% ointment **42**
 Betamethasone valerate 0.1% cream **42**
 Betamethasone valerate 0.1% ointment **42**
 Betamethasone valerate 0.1% scalp application **42**
 Betaxolol 0.25% modified-release eye drops **42**
 Betaxolol 0.5% eye drops **42**
 Bezafibrate 200mg tablets **42**
 Bezafibrate 400mg modified-release tablets **42**
 Biatain Adhesive **139**
 Biatain Non-Adhesive **140**
 Bicalutamide 150mg tablets **42**
 Bicalutamide 50mg tablets **42**
 Bioclusive **128**
 Biosensor Strips **385—386**
 Biotene Oralbalance **497**
 Biotrol Draina S Fistula **143**
 Bioextra **497**
 Bisacodyl
 Suppositories **499**
 Tablets **499**
 Bisacodyl 10mg suppositories **42**
 Bisacodyl 5mg gastro-resistant tablets **42**
 Bisacodyl 5mg suppositories **42**
 Bisgaard Leg Bandage *See Elastic Web with Foot Loop Bandages*
 Bismuth subcarbonate **42**
 Bisoprolol 1.25mg tablets **42**
 Bisoprolol 10mg tablets **42**
 Bisoprolol 2.5mg tablets **42**
 Bisoprolol 5mg tablets **42**
 Black currant syrup **42**
 Bladder/Irrigating Syringe **162**
 Blenderm Surgical Tape **159**
 Blisterfilm Dressing **128**
 Blom-Singer Truseal Humidifier System **163**
 Blood Glucose Strips **385**

INDEX

- Blue Line Bandages **96**
 BM-Accutest Strips **386**
 Boil Dressing Pack **126**
 Boots NRT Patches **500**
 Borderline Substances
 List A **423**
 List B **450**
 Boric acid **42**
 Breast Reliever **102**
 Breast Shields **102**
 Brimonidine 0.2% eye drops **42**
 Brinzolamide 10mg/ml eye drops **42**
 Broken Bulk - Provision For Payment **8**
 Bromocriptine 10mg capsules **42**
 Bromocriptine 1mg tablets **42**
 Bromocriptine 2.5mg tablets **42**
 Bromocriptine 5mg capsules **42**
 Brompheniramine 2mg/5ml oral solution **42**
 Brovon Midget Inhaler **93**
 Brufen Tablets **33**
 Buchanan
 DeltaNex Protector **165**
 Laryngectomy Protector **165**
 Budesonide 100micrograms/actuation dry powder inhaler **43**
 Budesonide 200micrograms/actuation dry powder inhaler **43**
 Budesonide 200micrograms/actuation inhaler **43**
 Budesonide 400micrograms/actuation dry powder inhaler **43**
 Budesonide 50micrograms/actuation inhaler **43**
 Budesonide 64micrograms/actuation nasal spray **43**
 Bug Buster Kit **147**
 Bulk Prescriptions
 Additional Professional Fees - Pharmacy Contractors **16**
 Allowance Payment **21**
 Exemption From Prescription Charges **485**
 Bumetanide 1mg tablets **43**
 Bumetanide 1mg/5ml oral solution sugar free **43**
 Bumetanide 500microgram / Potassium 7.7mmol modified-release tablets **43**
 Bumetanide 5mg tablets **43**
 Bunion Rings **121**
 Buprenorphine 200microgram sublingual tablets **43**
 Buprenorphine 400microgram sublingual tablets **43**
 Bupropion 150mg modified-release tablets **43**
 Buspirone 10mg tablets **43**
 Buspirone 5mg tablets **43**
- C**
- Cabergoline 1mg tablets **43**
 Cabergoline 2mg tablets **43**
 Cabergoline 500microgram tablets **43**
 Cade oil **43**
 Cadexomer-Iodine
 Ointment **499**
 Paste **499**
 Powder **499**
 Calamine **43**
 Calamine lotion **43**
 Calamine oily lotion **43**
 Calcipotriol 50micrograms/g cream **43**
 Calcipotriol 50micrograms/g ointment **43**
 Calcipotriol 50micrograms/ml scalp solution **43**
 Calcium and Ergocalciferol tablets **43**
 Calcium carbonate **43**
 Calcium carbonate 1.25g chewable tablets **43**
 Calcium carbonate 2.5g chewable tablets **43**
 Calcium gluconate 1g effervescent tablets **44**
 Calcium lactate 300mg tablets **44**
 Calendar Packs **8**
 Calico Bandage Triangular **102**
 Camphor **44**
 Camphor water concentrated **44**
 Camphorated opium tincture **44**
 Candesartan 16mg tablets **44**
 Candesartan 2mg tablets **44**
 Candesartan 4mg tablets **44**
 Candesartan 8mg tablets **44**
 Capillary Action Absorbent Wound Dressing **131**
 Capoten Tablets **33**
 Capsaicin 0.025% cream **44**
 Capsicum tincture **44**
 Captopril 12.5mg tablets **44**
 Captopril 25mg tablets **44**
 Captopril 50mg tablets **44**
 Carbamazepine
 Tablets **497**
 Carbamazepine 100mg tablets **44**
 Carbamazepine 100mg/5ml oral suspension sugar free **44**
 Carbamazepine 200mg modified-release tablets **44**
 Carbamazepine 200mg tablets **44**
 Carbamazepine 400mg modified-release tablets **44**
 Carbamazepine 400mg tablets **44**
 Carbaryl 0.5% alcoholic lotion **44**
 Carbaryl 1% aqueous liquid **44**
 Carbimazole 20mg tablets **44**
 Carbimazole 5mg tablets **44**
 Carbocisteine 125mg/5ml oral solution **44**
 Carbocisteine 250mg/5ml oral solution **44**
 Carbocisteine 375mg capsules **44**
 Carboflex **129**
 Carbomer 980 0.2% eye drops **44**
 Carbopod VC **129**
 Cardamom compound tincture **44**
 Care Homes, Advice to **415**
 Carmellose Gelatin Paste **44, 497**
 Carteolol 1% eye drops **44**
 Carteolol 2% eye drops **44**
 Carvedilol 12.5mg tablets **44**
 Carvedilol 25mg tablets **44**
 Carvedilol 3.125mg tablets **44**
 Carvedilol 6.25mg tablets **44**
 Castor oil **44**
 Catgut Sutures **160**
 Catheter Maintenance Solution
 Chlorhexidine **499**
 Sodium **499**
 Solution 'G' **499**
 Solution 'R' **499**
 Catheters
 Accessories **103**
 External **173**
 Maintenance Solutions **103, 499**
 Urinary, Urethral **104**
 Valves **170**
 Catheters Maintenance Solution
 OptiFlo **103**
 Uro-Tainer NaCl **103**
 Catheters, Urinary, Urethral **104**
 Cavi-Care **132**
 Cavity Dressing **131–132**

INDEX

- Cefaclor 125mg/5ml oral suspension **45**
 Cefaclor 125mg/5ml oral suspension sugar free **45**
 Cefaclor 250mg capsules **45**
 Cefaclor 250mg/5ml oral suspension **45**
 Cefaclor 250mg/5ml oral suspension sugar free **45**
 Cefaclor 375mg modified-release tablets **45**
 Cefaclor 500mg capsules **45**
 Cefadroxil 125mg/5ml oral suspension **45**
 Cefadroxil 250mg/5ml oral suspension **45**
 Cefadroxil 500mg capsules **45**
 Cefadroxil 500mg/5ml oral suspension **45**
 Cefalexin
 Capsules **497**
 Oral Suspension **497**
 Tablets **497**
 Cefalexin 125mg/5ml oral suspension **45**
 Cefalexin 250mg capsules **45**
 Cefalexin 250mg tablets **45**
 Cefalexin 250mg/5ml oral suspension **45**
 Cefalexin 500mg capsules **45**
 Cefalexin 500mg tablets **45**
 Cefalexin 500mg/5ml oral suspension **45**
 Cefixime 200mg tablets **45**
 Cefotaxime 1g injection vials **45**
 Cefotaxime 2g injection vials **45**
 Cefotaxime 500mg injection vials **45**
 Cefpodoxime 100mg tablets **45**
 Cefradine
 Capsules **497**
 Oral Solution **497**
 Cefradine 250mg capsules **45**
 Cefradine 250mg/5ml oral solution **45**
 Cefradine 500mg capsules **45**
 Ceftriaxone 1g injection vials **45**
 Ceftriaxone 250mg injection vials **45**
 Ceftriaxone 2g injection vials **45**
 Cefuroxime 125mg tablets **45**
 Cefuroxime 250mg tablets **45**
 Celecoxib 100mg capsules **45**
 Celecoxib 200mg capsules **45**
 Celiprolol 200mg tablets **45**
 Celiprolol 400mg tablets **46**
 Cellona **99, 101**
 Cellosene **121**
 Cellulose Wadding **121**
 Central Gard Dressing **128**
 Ceporex Capsules **33**
 Cervical Collar **121**
 Cetirizine 10mg tablets **46**
 Cetirizine 1mg/ml oral solution sugar free **46**
 Cetomacrogol cream (Formula A) **46**
 Cetragen **499**
 Cetragen Emollient Bath Additive **500**
 Chalk **46**
 Charcoal Dressing **129**
 Chemical Reagents
 Approved List **385**
 Chiropody Appliances **121**
 Chloral 500mg/5ml mixture **46**
 Chloral hydrate **46**
 Chloramphenicol 0.5% eye drops **46**
 Chloramphenicol 1% eye ointment **46**
 Chloramphenicol 250mg capsules **46**
 Chloramphenicol 5% ear drops **46**
 Chlordiazepoxide 10mg capsules **46**
 Chlordiazepoxide 10mg tablets **46**
 Chlordiazepoxide 5mg capsules **46**
 Chlordiazepoxide 5mg tablets **46**
 Chlorhexidine
 Gauze Dressing **126**
 Gluconate Gel **497**
 Mouthwash **497**
 Oral Spray **497**
 Chlorhexidine 0.2% oral spray **46**
 Chlorhexidine 1% dental gel **46**
 Chlorhexidine gluconate 0.2% mouthwash **46**
 Chloroform and Morphine tincture **46**
 Chloroform spirit **46**
 Chloroform water concentrated **46**
 Chloroquine phosphate 250mg tablets **46**
 Chloroquine sulphate 200mg tablets **46**
 Chlorphenamine
 Tablets **497**
 Chlorphenamine 10mg/ml injection 1ml ampoules **46**
 Chlorphenamine 2mg/5ml oral solution **46**
 Chlorphenamine 2mg/5ml oral solution sugar free **46**
 Chlorphenamine 4mg tablets **46**
 Chlorpromazine 100mg tablets **46**
 Chlorpromazine 10mg tablets **46**
 Chlorpromazine 25mg tablets **46**
 Chlorpromazine 25mg/5ml oral solution **46**
 Chlorpromazine 50mg tablets **46**
 Chlortalidone 50mg tablets **46**
 Cholecystographic Examination **385**
 Choline salicylate 8.7% oromucosal gel sugar free **46**
 Choline Salicylate Dental Gel **497, 499**
 Choline Salicylate Dental Paste *Sée - Choline Salicylate Dental Gel*
 Chromic Catgut Suture **160**
 Cica-Care **141**
 Ciclosporin 100mg capsules **46**
 Ciclosporin 100mg/ml oral solution sugar free **46**
 Ciclosporin 25mg capsules **46**
 Ciclosporin 50mg capsules **46**
 Cimetidine 200mg tablets **46**
 Cimetidine 200mg/5ml oral solution **46**
 Cimetidine 200mg/5ml oral solution sugar free **46**
 Cimetidine 200mg/5ml oral suspension sugar free **47**
 Cimetidine 400mg tablets **47**
 Cimetidine 800mg tablets **47**
 Cinnarizine 15mg tablets **47**
 Ciprofibrate 100mg tablets **47**
 Ciprofloxacin 0.3% eye drops **47**
 Ciprofloxacin 100mg tablets **47**
 Ciprofloxacin 250mg tablets **47**
 Ciprofloxacin 250mg/5ml oral suspension **47**
 Ciprofloxacin 500mg tablets **47**
 Ciprofloxacin 750mg tablets **47**
 Citalopram 10mg tablets **47**
 Citalopram 20mg tablets **47**
 Citalopram 40mg tablets **47**
 Citric acid monohydrate **47**
 Clarithromycin 125mg/5ml oral suspension **47**
 Clarithromycin 250mg tablets **47**
 Clarithromycin 250mg/5ml oral suspension **47**
 Clarithromycin 500mg modified-release tablets **47**
 Clarithromycin 500mg tablets **47**
 Cleanlet Fine Lancet **150**
 Clemastine 1mg tablets **47**
 Clement Clarke **154**
 Clindamycin
 Capsules **497**
 Clindamycin 1% alcoholic solution **47**

INDEX

- Clindamycin 1% aqueous lotion **47**
 Clindamycin 150mg capsules **47**
 Clindamycin 2% vaginal cream **47**
 Clindamycin 75mg capsules **47**
 Clini Cervical Collar **121**
 Clinipore **159**
 CliniSorb **129**
 Clinistix **385**
 Clioquinol 3% / Betamethasone valerate 0.1% cream **47**
 Clioquinol 3% / Betamethasone valerate 0.1% ointment **47**
 Clobazam 10mg tablets **47**
 Clobetasol 0.05% cream **47**
 Clobetasol 0.05% ointment **47**
 Clobetasol 0.05% scalp application **47**
 Clobetasone 0.05% cream **48**
 Clobetasone 0.05% ointment **48**
 Clomethiazole 192mg capsules **48**
 Clomethiazole 250mg/5ml oral solution sugar free **48**
 Clomifene 50mg tablets **48**
 Clomipramine 10mg capsules **48**
 Clomipramine 25mg capsules **48**
 Clomipramine 50mg capsules **48**
 Clomipramine 75mg modified-release tablets **48**
 Clonazepam 2mg tablets **48**
 Clonazepam 500microgram tablets **48**
 Clonidine 100microgram tablets **48**
 Clonidine 25microgram tablets **48**
 Clonidine 300microgram tablets **48**
 Clopidogrel 75mg tablets **48**
 Cloral betaine 707mg tablets **48**
 Clotrimazole
 Cream **499**
 Clotrimazole 1% / Hydrocortisone 1% cream **48**
 Clotrimazole 1% cream **48**
 Clotrimazole 10% vaginal cream **48**
 Clotrimazole 100mg pessaries **48**
 Clotrimazole 200mg pessaries **48**
 Clotrimazole 500mg pessaries **48**
 Clove oil **48**
 CoaguChek PT **386**
 Coal tar solution **48**
 Coal tar solution strong **48**
 Co-amilofruse 10/80 tablets **48**
 Co-amilofruse 2.5/20 tablets **48**
 Co-amilofruse 5/40 tablets **48**
 Co-amilozide 2.5/25 tablets **48**
 Co-amilozide 5/50 tablets **48**
 Co-amoxiclav 125/31 oral suspension sugar free **48**
 Co-amoxiclav 250/125 dispersible tablets **48**
 Co-amoxiclav 250/125 tablets **48**
 Co-amoxiclav 250/62 oral suspension sugar free **48**
 Co-amoxiclav 400/57 oral suspension sugar free **49**
 Co-amoxiclav 500/125 tablets **49**
 Coban Bandage **98**
 Co-beneldopa 12.5/50 capsules **49**
 Co-beneldopa 12.5/50 dispersible tablets **49**
 Co-beneldopa 25/100 capsules **49**
 Co-beneldopa 25/100 dispersible tablets **49**
 Co-beneldopa 50/200 capsules **49**
 Cocaine hydrochloride **49**
 Co-careldopa 10/100 tablets **49**
 Co-careldopa 12.5/50 tablets **49**
 Co-careldopa 25/100 tablets **49**
 Co-careldopa 25/250 tablets **49**
 Co-codamol
 Tablets **33**
 Co-codamol 15/500 tablets **49**
 Co-codamol 30/500 capsules **49**
 Co-codamol 30/500 effervescent tablets **49**
 Co-codamol 30/500 tablets **49**
 Co-codamol 8/500 effervescent tablets **49**
 Co-codamol 8/500 tablets **49**
 Co-codaprin 8/400 dispersible tablets **49**
 Coconut oil **49**
 Co-cyprindiol 2000/35 tablets **49**
 Co-danthramer
 Capsules **499**
 Capsules Strong **499**
 Oral Suspension **499**
 Oral Suspension Strong **499**
 Co-danthramer 25/200 capsules **49**
 Co-danthramer 25/200 oral suspension sugar free **49**
 Co-danthramer 37.5/500 capsules strong **49**
 Co-danthramer 75/1000 oral suspension strong sugar free **49**
 Co-danthrusate
 Capsules **499**
 Oral Suspension **499**
 Co-danthrusate 50/60 capsules **49**
 Co-danthrusate 50/60 oral suspension sugar free **49**
 Codeine 15mg tablets **49**
 Codeine 15mg/5ml linctus **49**
 Codeine 15mg/5ml linctus sugar free **49**
 Codeine 25mg/5ml oral solution **49**
 Codeine 30mg tablets **49**
 Codeine 3mg/5ml linctus paediatric sugar free **50**
 Codeine 60mg tablets **50**
 Codeine phosphate **50**
 Co-dergocrine mesilate 1.5mg tablets **50**
 Co-dydramol
 Tablets **33**
 Co-dydramol 10/500 tablets **50**
 Co-fluampicil 125/125 oral suspension **50**
 Co-fluampicil 250/250 capsules **50**
 Co-flumactone 25/25 tablets **50**
 Co-flumactone 50/50 tablets **50**
 Colchicine 500microgram tablets **50**
 Colestyramine 4g oral powder sachets **50**
 Colestyramine 4g oral powder sachets sugar free **50**
 CombiDERM **135**
 CombiDERM-N **135**
 Comfeel **133**
 Comfeel Paste **136**
 Comfeel Plus Contour **132**
 Comfeel Plus Pressure Relieving Dressing **132**
 Comfeel Plus Transparent Dressing **134**
 Comfeel Plus Ulcer Dressing **133**
 Comfifast **157**
 Comfifast Easy Wrap **157**
 Comfigrip **156**
 Common Pack List **33**
 Compact Strips **386**
 Compound Macrogol Oral Powder **500**
 Compound Sodium Chloride Mouth-wash **498**
 Compression Bandages High **97**
 Compression Hosiery - *See Elastic Hosiery*
 Comprilan **101**
 Confidence Rings **167**
 Conforming Bandage (Synthetic) **95**
 Conforming Foam Cavity Wound Dressing **132**

INDEX

- Conjugated oestrogens 1.25mg tablets **50**
 Conjugated oestrogens 625microgram tablets **50**
 Constrictor Rings **167**
 constrictor rings **539**
 Container - Allowance and Suitability **5, 21**
 Contraceptive Devices **122—123**
 Contreet
 Foam **142**
 Foam Filler **131**
 Hydrocolloid **136**
 ConvaTec Wound Manager **143**
 Co-phenotrope 2.5/0.025 tablets **50**
 Copper sulphate pentahydrate **50**
 Co-prenozide 160/0.25 modified-release tablets **50**
 Co-proxamol 32.5/325 tablets **50**
 Corn Rings **121**
 Cortisone 25mg tablets **50**
 Co-simalcite 125/500 oral suspension sugar free **50**
 Cosmopor E **125**
 Co-tenidone 100/25 tablets **50**
 Co-tenidone 50/12.5 tablets **50**
 Co-triamterzide 50/25 tablets **50**
 Co-trimoxazole 80/400 tablets **50**
 Cotton Absorbent **93**
 Cotton and Gauze Pads *See - Filmed Gauze Swabs*
 Cotton Bandages
 Conforming **95**
 Crêpe **95**
 Elastic, Heavy **95**
 Stretch **96**
 Suspensory **102**
 Cotton Gauze
 Absorbent **146**
 And Viscose **147**
 Cotton Stockinette **156**
 Cotton Wools **93**
 Cotton, Polyamide and Elastane Bandage **95**
 Coverflex **157**
 Crepe Bandages **95**
 Crinx Bandages **95**
 Criteria notified under the Transparency Directive **541**
 Crotamiton 10% cream **50**
 Crotamiton Cream **499**
 Crotamiton Lotion **499**
 Curafoam Island **139**
 Curafoam Plus **140**
 Curagel **137**
 Curagel Island **137**
 Curasorb **130**
 Curasorb Plus **130**
 Curasorb Rope **131**
 Curasorb Zn **130**
 Cutilin Dressing **124**
 Cutinova Hydro **141**
 Cutinova Hydro Border **141**
 C-View **128**
 C-View Dressing **128**
 Cyanocobalamin 1mg/ml injection 1ml ampoules **50**
 Cyanocobalamin 50microgram tablets **50**
 Cyclizine 50mg tablets **50**
 Cyclizine 50mg/ml injection 1ml ampoules **50**
 Cyclohaler **152**
 Cyclopentiazide 500microgram tablets **50**
 Cyclopentolate 0.5% eye drops **50**
 Cyclopentolate 1% eye drops **50**
 Cyclophosphamide 50mg tablets **51**
 Cyproterone 100mg tablets **51**
- D**
- Danazol 100mg capsules **51**
 Danazol 200mg capsules **51**
 Dantrolene 100mg capsules **51**
 Dantrolene 25mg capsules **51**
 Dapsone 100mg tablets **51**
 Dapsone 50mg tablets **51**
 Decubal Clinic **499**
 Deduction Scale **23—25**
 Delfen Foam **500**
 Deltacortril Tablets **33**
 DeltaNex Protector **165**
 Dental Gel **497**
 Dental Practitioners - Approved List of Prescribable Preparations **497—498**
 Dermabond **161**
 Dermal Bath Emollient **500**
 Dermamist **499**
 Dermatrix **141**
 Desloratadine 5mg tablets **51**
 Desmopressin 100micrograms/ml intranasal solution **51**
 Desmopressin 10micrograms/actuation nasal spray **51**
 Detection Strips **385—386**
 Dexamethasone 0.1% / Hypromellose 0.5% eye drops **51**
 Dexamethasone 2mg tablets **51**
 Dexamethasone 500microgram tablets **51**
 Dexamethasone Tablets **33**
 Dexamfetamine 5mg tablets **51**
 Dexomon SR Tablets **33**
 Dextranomer
 Beads **499**
 Paste **499**
 Diabur Test 5000 **385**
 Diamorphine 100mg injection ampoules **51**
 Diamorphine 10mg injection ampoules **51**
 Diamorphine 10mg tablets **51**
 Diamorphine 30mg injection ampoules **51**
 Diamorphine 500mg injection ampoules **51**
 Diamorphine 5mg injection ampoules **51**
 Diamorphine hydrochloride **51**
 Diaphragm Vaginal Contraceptive **123**
 Diastix **385**
 Diazepam
 Oral Solution **497**
 Tablets **497**
 Diazepam 10mg tablets **51**
 Diazepam 2mg tablets **51**
 Diazepam 2mg/5ml oral solution **51**
 Diazepam 2mg/ml rectal solution 2.5ml tube **51**
 Diazepam 4mg/ml rectal solution 2.5ml tube **51**
 Diazepam 5mg tablets **52**
 Diazepam 5mg/ml injection 2ml ampoules **52**
 Diclofenac 1% gel **52**
 Diclofenac 100mg suppositories **52**
 Diclofenac 12.5mg suppositories **52**
 Diclofenac 25mg suppositories **52**
 Diclofenac 25mg/ml injection 3ml ampoules **52**
 Diclofenac 50mg dispersible tablets **52**
 Diclofenac 50mg suppositories **52**
 Diclofenac Sodium
 Tablets **33**

INDEX

- Diclofenac sodium 100mg modified-release capsules **52**
 Diclofenac sodium 25mg gastro-resistant tablets **52**
 Diclofenac sodium 50mg gastro-resistant / Misoprostol 200microgram tablets **52**
 Diclofenac sodium 50mg gastro-resistant tablets **52**
 Diclofenac sodium 75mg gastro-resistant / Misoprostol 200microgram tablets **52**
 Diclofenac sodium 75mg gastro-resistant modified-release capsules **52**
 Diclofenac sodium 75mg modified-release capsules **52**
 Dicycloverine 10mg tablets **52**
 Dicycloverine 10mg/5ml oral solution **52**
 Dicycloverine 20mg tablets **52**
 Diethylamine salicylate 10% cream **52**
 Diethylstilbestrol 1mg tablets **52**
 Diethylstilbestrol 5mg tablets **52**
 Diflunisal
 Tablets **497**
 Diflunisal 250mg tablets **52**
 Diflunisal 500mg tablets **52**
 Digitoxin 100microgram tablets **52**
 Digoxin 125microgram tablets **52**
 Digoxin 250microgram tablets **52**
 Digoxin 50micrograms/ml oral solution **52**
 Digoxin 62.5microgram tablets **52**
 Dihydrocodeine
 Tablets **33, 497**
 Dihydrocodeine 10mg/5ml oral solution **52**
 Dihydrocodeine 120mg modified-release tablets **52**
 Dihydrocodeine 30mg tablets **53**
 Dihydrocodeine 50mg/ml injection 1ml ampoules **53**
 Dihydrocodeine 60mg modified-release tablets **53**
 Dihydrocodeine 90mg modified-release tablets **53**
 Dill water concentrated **53**
 Diltiazem 200mg modified-release capsules **53**
 Diltiazem 60mg modified-release capsules **53**
 Diltiazem 60mg modified-release tablets **53**
 Dipivefrine 0.1% eye drops **53**
 Diprobane
 Cream **499**
 Ointment **499**
 Diprobath **500**
 Dipyrindamole
 Tablets **33**
 Dipyrindamole 100mg tablets **53**
 Dipyrindamole 200mg modified-release capsules **53**
 Dipyrindamole 25mg tablets **53**
 Discount
 Provision **5**
 Scale Pharmacy Contractors **23—27**
 Disodium etidronate 200mg tablets **53**
 Disopyramide 100mg capsules **53**
 Disopyramide 150mg capsules **53**
 Disopyramide 250mg modified-release tablets **53**
 Dispensing Fees - Appliance Contractors **19**
 Provision for Payment **5—7**
 Scale of Fees **19**
 Disposable Protectives **155**
 Dispos-A-Gloves **155**
 Disulfiram 200mg tablets **53**
 Dithranol **53**
 Docusate
 Enema Compound **499**
 Oral Solution **499**
 Oral Solution, Paediatric **499**
 Docusate 100mg capsules **53**
 Docusate 12.5mg/5ml oral solution sugar free **53**
 Docusate 50mg/5ml oral solution sugar free **53**
 Domperidone 10mg tablets **53**
 Domperidone 30mg suppositories **53**
 Domperidone 5mg/5ml oral suspension sugar free **53**
 Donepezil 10mg tablets **53**
 Donepezil 5mg tablets **53**
 Dorzolamide 2% / Timolol 0.5% eye drops **53**
 Dorzolamide 2% eye drops **53**
 Dosulepin 25mg capsules **53**
 Dosulepin 75mg tablets **54**
 Doublebase **499**
 Douches
 Plastic **123**
 Spare Plastics Tubing **123**
 Doxazosin 1mg tablets **54**
 Doxazosin 2mg tablets **54**
 Doxazosin 4mg modified-release tablets **54**
 Doxazosin 4mg tablets **54**
 Doxazosin 8mg modified-release tablets **54**
 Doxepin 10mg capsules **54**
 Doxepin 25mg capsules **54**
 Doxepin 50mg capsules **54**
 Doxepin 75mg capsules **54**
 Doxycycline
 Capsules **497**
 Tablets **497**
 Doxycycline 100mg capsules **54**
 Doxycycline 20mg tablets **54**
 Doxycycline 50mg capsules **54**
 Dressing **124—129**
 Absorbent Cellulose **124**
 Boil **126**
 Gauze (Impregnated) **126**
 Knitted Viscose **126**
 Multiple Packs **126**
 Perforated Film Absorbent Sterile **127**
 Povidone Iodine Fabric **127**
 Standard **127**
 Sterile Packs **127**
 with Non-Woven Pads **127**
 Vapour-Permeable Adhesive Film **128**
 Vapour-Permeable Waterproof Plastic Wound **129**
 Dress-it **127**
 Drisorb Dressing Pad **124**
 Droppers Glass For Eye, Ear, and Nasal drops **21, 144**
 Dry Mouth Products **144**
 Dumas Cap **122**
 DuoDERM Extra Thin **134**
 DuoDERM Signal **133**
 Duragel Gel **500**
 Durex Vaginal Applicator **93**
 Durolane **162**
 Dutasteride 500microgram capsules **54**
 Dydrogesterone 10mg tablets **54**
E
 E.I.D. **167**
 E45 Cream **499**
 Ear Syringe **162**
 Ear Wax Softening Medical Devices **144**

INDEX

- Easifix Bandage **100**
 easiGRIP **156**
 Eclipse **124**
 Econazole Cream **499**
 Eesiban ESTS **156**
 Eesiban Ribbed Stockinette **158**
 Eesiness Soft Cervical Foam Collar **121**
 Elantan Tablets **33**
 Elastic Adhesive Tape **159**
 Elastic Band Trusses **166**
 Elastic Bandage
 Adhesive **96**
 Heavy Cotton and Rubber **97**
 Web, Blue Line **96**
 Web, Without Foot Loop **96**
 Elastic Bandages
 Web, with Foot Loop **96**
 Elastic Hosiery **144–146**
 Circular Knit **145–146**
 Descriptions and Diagrams **145–146**
 Flat Bed Knit **145–146**
 Lightweight Elastic Net **145**
 One Way Stretch **145**
 Elasticated Stockinette **156–157**
 Cotton and Viscose **158**
 Foam Padded **156**
 Net **158**
 Tubular **156–158**
 Viscose Bandage **157**
 Viscose Garments **157**
 Elastomer and Viscose Bandage Knitted **96**
 Elastoweb (See *Heavy Cotton and Rubber Elastic Bandage*)
 Elite Lubricating Jelly **153**
 Elite Plus 2 Vacuum Pump **166**
 Elite Plus Vacuum Pump **166**
 Elite Vacuum Pump **166**
 Elset **97, 98**
 Elset S **97**
 EMA Film Gloves **155**
 EMS Tracheostomy Tube **164**
 Emulsifying Ointment **499**
 Emulsifying ointment **54**
 Emulsifying wax **54**
 Enalapril 10mg tablets **54**
 Enalapril 2.5mg tablets **54**
 Enalapril 20mg / Hydrochlorothiazide 12.5mg tablets **54**
 Enalapril 20mg tablets **54**
 Enalapril 5mg tablets **54**
 Endorsement Requirements **7**
 Enema Syringe (Higginson's) **162**
 Entacapone 200mg tablets **54**
 Epaderm **499**
 Ephedrine 0.5% nasal drops **54**
 Ephedrine 1% nasal drops **54**
 Ephedrine hydrochloride 15mg tablets **54**
 Ephedrine hydrochloride 30mg tablets **54**
 Ephedrine Nasal Drops **497**
 Epiglu **161**
 Epinastine 500micrograms/ml eye drops **54**
 Eprosartan 300mg tablets **54**
 Eprosartan 400mg tablets **54**
 Eprosartan 600mg tablets **54**
 ErectAssist **167**
 ErectEase **167**
 Ergocalciferol 1.25mg tablets **54**
 Ergocalciferol 250microgram tablets **54**
 Ergocalciferol 300,000units/ml injection 1ml ampoules **54**
 Ergocalciferol 300,000units/ml injection 2ml ampoules **54**
 Erythromycin
 Tablets **497**
 Erythromycin 2% solution **54**
 Erythromycin 250mg gastro-resistant capsules **55**
 Erythromycin 250mg gastro-resistant tablets **55**
 Erythromycin 40mg/ml / Zinc acetate 12mg/ml lotion **55**
 Erythromycin Ethyl Succinate
 Oral Suspension **497**
 Tablets **497**
 Erythromycin ethyl succinate 125mg/5ml oral suspension **55**
 Erythromycin ethyl succinate 125mg/5ml oral suspension sugar free **55**
 Erythromycin ethyl succinate 250mg/5ml oral suspension **55**
 Erythromycin ethyl succinate 250mg/5ml oral suspension sugar free **55**
 Erythromycin ethyl succinate 500mg tablets **55**
 Erythromycin ethyl succinate 500mg/5ml oral suspension **55**
 Erythromycin ethyl succinate 500mg/5ml oral suspension sugar free **55**
 Erythromycin stearate 250mg tablets **55**
 Erythromycin stearate 500mg tablets **55**
 Erythromycin Stearate Tablets **497**
 Escitalopram 10mg tablets **55**
 Escitalopram 20mg tablets **55**
 Escitalopram 5mg tablets **55**
 Esomeprazole 20mg tablets **55**
 Esomeprazole 40mg tablets **55**
 Essential Small Pharmacies Scheme **409–411**
 Estradiol 100mg implant **55**
 Estradiol 25mg implant **55**
 Estradiol 50mg implant **55**
 Estropipate 1.5mg tablets **55**
 ESTS **156**
 Etamsylate 500mg tablets **55**
 Ethanol 90% (including duty) **55**
 Ethanolamine oleate 5% injection 2ml ampoules **55**
 Ethanolamine oleate 5% injection 5ml ampoules **55**
 Ether solvent **55**
 Ethinylestradiol 10microgram tablets **55**
 Ethinylestradiol 1mg tablets **55**
 Ethinylestradiol 50microgram tablets **55**
 Ethosuximide 250mg capsules **55**
 Ethosuximide 250mg/5ml oral solution **56**
 Etoricoxib 120mg tablets **56**
 Etoricoxib 60mg tablets **56**
 Etoricoxib 90mg tablets **56**
 Eucalyptus oil **56**
 Exemptions From Prescription Charges **484**
 Exu-Dry **124**
 Eye Baths **146**
 Eye Drop Dispensers **146**
 Eye Pad with Bandage **127**
 Eye Shade **146**
 EZ-Lets **150**
 EZ-Lets Thin **150**
F
 Famciclovir 125mg tablets **56**
 Famciclovir 250mg tablets **56**

INDEX

- Famciclovir 500mg tablets **56**
 Famciclovir 750mg tablets **56**
 Famotidine 20mg tablets **56**
 Famotidine 40mg tablets **56**
 Felbinac 3% gel **56**
 Felbinac 3.17% foam **56**
 Felodipine 10mg modified-release tablets **56**
 Felodipine 2.5mg modified-release tablets **56**
 Felodipine 5mg modified-release tablets **56**
 Felt Wool, Surgical **121**
 Felt, Adhesive **121**
 FemCap **123**
 Fenbufen 300mg capsules **56**
 Fenbufen 300mg tablets **56**
 Fenbufen 450mg tablets **56**
 Fenofibrate 200mg capsules (micronised) **56**
 Femathron **162**
 Ferraris **154**
 Ferraris PiKo-1 **154**
 Ferric chloride solution **56**
 Ferrous fumarate 140mg/5ml oral solution **56**
 Ferrous fumarate 140mg/5ml oral solution sugar free **56**
 Ferrous fumarate 210mg tablets **56**
 Ferrous gluconate 300mg tablets **56**
 Ferrous sulphate 200mg tablets **56**
 Fertility Thermometer **122**
 Fexofenadine 120mg tablets **56**
 Fexofenadine 180mg tablets **56**
 Fexofenadine 30mg tablets **56**
 Filmated Swabs
 Gauze **162**
 Non-Woven Fabric **161**
 Finasteride 5mg tablets **56**
 Fine Point Lancet **150**
 Finger Cots **146**
 Finger Stalls **146**
 Fisonair See - *Aerosol Inhalation Chamber Devices* **94**
 Flavoxate 200mg tablets **56**
 Flecainide 100mg tablets **56**
 Flecainide 50mg tablets **56**
 Flexi T-300 **122**
 Flexi-Ban Bandage **101**
 Flexible collodion methylated **56**
 Flexiderm **163**
 Flexigran **133**
 Flexigran Gel **136**
 Flexigran Thin **134**
 Flexipore **138**
 Flowfusor **152**
 Flucloxacillin 125mg/5ml oral solution **57**
 Flucloxacillin 125mg/5ml oral suspension **57**
 Flucloxacillin 250mg capsules **57**
 Flucloxacillin 250mg/5ml oral solution **57**
 Flucloxacillin 250mg/5ml oral suspension **57**
 Flucloxacillin 500mg capsules **57**
 Fluconazole
 Capsules **497**
 Oral Suspension **497**
 Fluconazole 150mg capsules **57**
 Fluconazole 200mg capsules **57**
 Fluconazole 200mg/5ml oral suspension **57**
 Fluconazole 50mg capsules **57**
 Fluconazole 50mg/5ml oral suspension **57**
 Fludrocortisone 100microgram tablets **57**
 Flunisolide 25micrograms/actuation nasal spray **57**
 Flucinolone 0.025% gel **57**
 Fluoxetine 20mg capsules **57**
 Fluoxetine 20mg/5ml oral solution **57**
 Fluoxetine 60mg capsules **57**
 Flupentixol 1mg tablets **57**
 Flupentixol 3mg tablets **57**
 Flupentixol 500microgram tablets **57**
 Fluphenazine decanoate 100mg/ml injection 1ml ampoules **57**
 Fluphenazine decanoate 25mg/ml injection 1ml ampoules **57**
 Flurbiprofen 100mg tablets **57**
 Flurbiprofen 200mg modified-release capsules **57**
 Flurbiprofen 50mg tablets **57**
 Flutamide 250mg tablets **57**
 Fluticasone 0.005% ointment **57**
 Fluticasone 0.05% cream **57**
 Fluticasone 125micrograms/actuation inhaler CFC free **57**
 Fluticasone 250micrograms/actuation inhaler CFC free **57**
 Fluticasone 50micrograms/actuation inhaler CFC free **57**
 Fluticasone 50micrograms/actuation nasal spray **57**
 Fluvastatin 20mg capsules **57**
 Fluvastatin 40mg capsules **57**
 Fluvastatin 80mg modified-release tablets **58**
 Fluvoxamine 100mg tablets **58**
 Fluvoxamine 50mg tablets **58**
 Folic Acid
 Oral Solution **500**
 Tablets **500**
 Folic acid 2.5mg/5ml oral solution sugar free **58**
 Folic acid 400microgram tablets **58**
 Folic acid 5mg tablets **58**
 Formaldehyde solution **58**
 Fosinopril 10mg tablets **58**
 Fosinopril 20mg tablets **58**
 Fraudulent Prescription Forms Reward Scheme **419-421**
 Freestyle Lancet **150**
 Fresenius Sodium Chloride **152**
 Fresenius Water for Irrigation **152**
 Furosemide 20mg tablets **58**
 Furosemide 40mg tablets **58**
 Furosemide 500mg tablets **58**
 Fusidic acid 1% modified-release eye drops **58**
 Fusidic acid 2% / Betamethasone valerate 0.1% cream **58**
 Fusidic acid 2% / Hydrocortisone acetate 1% cream **58**
 Fusidic acid 2% cream **58**
- G**
 Gabapentin 100mg capsules **58**
 Gabapentin 300mg capsules **58**
 Gabapentin 400mg capsules **58**
 Gabapentin 600mg tablets **58**
 Gabapentin 800mg tablets **58**
 Galpseud
 Linctus **33**
 Tablets **33**
 Gauze Dressings (Impregnated) **126**
 Gauze Pads **161**
 Gauze Swab **161**
 Filmated **161**
 Non Sterile **161**
 Sterile **161**
 Gauze Tissue **147**

INDEX

- Cotton **147**
 Gauzes **146**
 Gauzes Dressings (Impregnated)
 Chlorhexidine **126**
 Paraffin **126**
 Gaviscon Liquid **33**
 Gel FX **137**
 Gelclair **153**
 Geliperm **137**
 Gemfibrozil 300mg capsules **58**
 Gemfibrozil 600mg tablets **58**
 Genesis Constriction Ring **167**
 Gentamicin 0.3% ear/eye drops **58**
 Gentian acid mixture **58**
 Gentian alkaline mixture **58**
 Gentian compound infusion concentrated **58**
 Ginger syrup **58**
 Ginger tincture strong **58**
 Glandosane **497**
 Glass Droppers **21**
 Glibenclamide 2.5mg tablets **58**
 Glibenclamide 5mg tablets **58**
 Gliazide 80mg tablets **58**
 Glimepiride 1mg tablets **58**
 Glimepiride 2mg tablets **58**
 Glimepiride 3mg tablets **59**
 Glimepiride 4mg tablets **59**
 Glipizide 2.5mg tablets **59**
 Glipizide 5mg tablets **59**
 Gloves
 EMA Disposable **155**
 Polythene, Disposable **155**
 Glucoflex-R Strips **385**
 GlucoMen Lancet **150**
 GlucoMen Sensors **385**
 Glucose 50% intravenous infusion 50ml vials **59**
 Glucose liquid BPC1963 **59**
 Glucotide **386**
 Glycerol 1g suppositories **59**
 Glycerol 2g suppositories **59**
 Glycerol 4g suppositories **59**
 Glycerol liquid **59**
 Glycerol Suppositories **500**
 Glyceryl trinitrate 300microgram sublingual tablets **59**
 Glyceryl trinitrate 400micrograms/actuation sublingual spray **59**
 Glyceryl trinitrate 500microgram sublingual tablets **59**
 Glyceryl trinitrate 600microgram sublingual tablets **59**
 Glycosuria Detection Strips **385**
 Goserelin 10.8mg implant pre-filled syringes **59**
 Goserelin 3.6mg implant pre-filled syringes **59**
 Grade of Drug or Preparation General Requirements **3**
 Graduated Compression Hosiery *See Elastic Hosiery* **144—146**
 Granuflex **133**
 Granugel Hydrocolloid Gel **136**
 Griseofulvin 125mg tablets **59**
 Griseofulvin 500mg tablets **59**
 GyneFix IN **122**
 GyneFix PT **122**
 Gyne-T380S **122**
 Gynol II Jelly **500**
 Gypona Bandage **100**
- H**
 Halibut-liver oil 4000unit capsules **59**
 Haloperidol 1.5mg tablets **59**
 Haloperidol 10mg tablets **59**
 Haloperidol 20mg tablets **59**
 Haloperidol 500microgram capsules **59**
 Haloperidol 5mg tablets **59**
 Haloperidol 5mg/ml injection 1ml ampoules **59**
 Hamamelis water **59**
 Head Lice Device **147**
 Heavy Cotton and Rubber Elastic Bandage **97**
 Heparinoid 0.3% cream **59**
 Heparinoid 0.3% gel **59**
 HiFlow **163**
 Higginson's Enema Syringe **162**
 High Compression Bandages **97**
 Hirst Laryngectomy Protector **165**
 Hodges Pessaries **155**
 Holders (tapeless)
 Tracheostomy Tube **164**
 Homatropine 1% eye drops **59**
 Homatropine 2% eye drops **59**
 Hosiery, Elastic **144—146**
 Hospi Four **98**
 Hospicrepe 233 **96**
 Hospicrepe 239 **95, 98**
 Hospiform **95**
 Hospital Cotton Wool **93**
 HumaPen Ergo **149**
 Humistom Stoma Button/Stud and HPC Filter **163**
 Hydrafoam **140**
 Hydralazine 25mg tablets **59**
 Hydralazine 50mg tablets **59**
 Hydrochloric acid dilute **59**
 Hydrocoll Basic **133**
 Hydrocoll Border **132**
 Hydrocoll Thin **134**
 Hydrocolloid Dressing
 Fibrous Silver Impregnated **136**
 Hydrocolloid Dressing Silver Impregnated **136**
 Hydrocolloid Paste **136**
 Hydrocolloid Wound Dressing **132—136**
 Hydrocortisone **59**
 Hydrocortisone 0.1% cream **59**
 Hydrocortisone 0.5% cream **60**
 Hydrocortisone 0.5% ointment **60**
 Hydrocortisone 1% cream **60**
 Hydrocortisone 1% ointment **60**
 Hydrocortisone 10mg tablets **60**
 Hydrocortisone 2.5% cream **60**
 Hydrocortisone 2.5% eye ointment **60**
 Hydrocortisone 2.5% ointment **60**
 Hydrocortisone 2.5mg oromucosal tablets **60**
 Hydrocortisone 20mg tablets **60**
 Hydrocortisone acetate 1% / Gentamicin 0.3% ear drops **60**
 Hydrocortisone and Miconazole
 Cream **497**
 Ointment **497**
 Hydrocortisone butyrate 0.1% cream **60**
 Hydrocortisone butyrate 0.1% ointment **60**
 Hydrocortisone sodium succinate 100mg injection vials and diluent **60**
 Hydrofilm **128**
 Hydrogel Wound Dressing **136—137**
 Hydrogen Peroxide
 Mouthwash **497**
 Hydrogen peroxide 25% ear drops **60**
 Hydrogen peroxide 6% solution **60**

INDEX

- Hydromol
 Cream **499**
 Emollient **500**
 Ointment **499**
- Hydrosorb **137**
 Hydrosorb Comfort **137**
 Hydroalcite 500mg/5ml oral suspension **60**
- Hydrous
 Ointment **499**
- Hydrous ointment **60**
 Hydrous wool fat **60**
- Hydroxocobalamin 1mg/ml injection 1ml ampoules **60**
- Hydroxycarbamide 500mg capsules **60**
 Hydroxychloroquine 200mg tablets **60**
 Hydroxyzine 10mg tablets **60**
 Hydroxyzine 25mg tablets **60**
 Hylan G-F20 **162**
- Hyoscine butylbromide 10mg tablets **60**
 Hyoscine hydrobromide 400micrograms/ml injection 1ml ampoules **60**
- Hypafix **159**
- Hypodermic Equipment Non-Sterile
 Needles for Reusable Pens **149**
 Sharpsbin **151**
 Syringes **147**
 Insulin **147**
 Ordinary Purpose **147**
- Hypodermic Equipment Sterile
 Insulin Syringe U100 **148**
 Lancets **150**
 Needles **148**
- Hypoguard Supreme Spectrum Strips **385**
 Hypoguard Supreme Strips **385**
 Hypromellose 0.3% eye drops **60**
 Hypromellose 0.5% eye drops **60**
 Hypromellose 1% eye drops **60**
- I**
- Ibuprofen
 Oral Suspension **497, 500**
 Tablets **497, 500**
- Ibuprofen 100mg/5ml oral suspension **61**
 Ibuprofen 100mg/5ml oral suspension sugar free **61**
 Ibuprofen 200mg tablets **61**
 Ibuprofen 400mg tablets **61**
 Ibuprofen 5% cream **61**
 Ibuprofen 5% gel **61**
 Ibuprofen 600mg effervescent granules sachets **61**
 Ibuprofen 600mg tablets **61**
 Ibuprofen 800mg modified-release tablets **61**
 Ibuprofen 800mg tablets **61**
- Ichthammol **61**
 Ichthammol glycerin liquid **61**
 Ichthopaste **102**
- Imipramine 10mg tablets **61**
 Imipramine 25mg tablets **61**
- Imodium Capsules **33**
 Imodium Plus Tablets **33**
- Imperial System - Requirement to Convert to Metric System **7**
- Impermeable Plastic Adhesive Tape **159**
 Impermeable Plastic Synthetic Adhesive Tape **159**
- Impulse Vacuum Pumps **166**
- Imuderm
 Bath Oil **500**
- Inadine Dressing **127**
 Indapamide 2.5mg tablets **61**
 Indermil **161**
 Indometacin 25mg capsules **61**
 Indometacin 50mg capsules **61**
 Indoramin 20mg tablets **61**
 Indoramin 25mg tablets **61**
 Industrial methylated spirit 95% **61**
 Inhaler (Spare Top) **152**
 Injex **151**
 Innovo Pens **149**
 Insight Tracheostomy Tube Holder **164**
 Insufflators (Plastic for Fine Powders) **152**
 Insulin Syringe **147**
 Intal Spinhaler **152**
 Interpose Dressing **124**
 Intersurgical Mask **390, 393**
 Constant Performance **388, 390**
 Variable Performance **390**
- IntraSite Conformable **136**
 IntraSite Gel **136**
 Intrauterine Contraceptive Device **122**
- Iodine **61**
 Iodine aqueous oral solution **61**
 Iodine solution strong **61**
 Ipecacuanha alkaline mixture **61**
 Ipecacuanha and Ammonia mixture paediatric **61**
 Ipecacuanha mixture paediatric **61**
 Ipecacuanha opiate mixture paediatric **61**
 Ipecacuanha tincture **61**
 Ipratropium 20micrograms/actuation inhaler CFC free **61**
 Ipratropium 21micrograms/actuation nasal spray **61**
- Irbesartan 150mg tablets **61**
 Irbesartan 300mg tablets **61**
 Irbesartan 75mg tablets **61**
- Irriclen **152**
 Irrigating/Bladder Syringe **162**
 Irrigation Fluids **152**
- Isoniazid 100mg tablets **62**
 Isoniazid 50mg tablets **62**
- Isosorbide dinitrate 10mg tablets **62**
 Isosorbide dinitrate 20mg tablets **62**
 Isosorbide mononitrate 10mg tablets **62**
 Isosorbide mononitrate 20mg tablets **62**
 Isosorbide mononitrate 25mg modified-release capsules **62**
 Isosorbide mononitrate 40mg tablets **62**
 Isosorbide mononitrate 50mg modified-release capsules **62**
 Isosorbide mononitrate 50mg modified-release tablets **62**
 Isosorbide mononitrate 60mg modified-release capsules **62**
 Isosorbide mononitrate 60mg modified-release tablets **62**
- Ispaghula Husk
 Granules **500**
 Powder **500**
- Ispaghula husk 3.4g oral powder sachets gluten free sugar free **62**
 Ispaghula husk 3.5g effervescent granules sachets gluten free sugar free **62**
 Ispaghula husk 3.5g/dose effervescent granules gluten free sugar free **62**
 Itraconazole 100mg capsules **62**
 IUCD **122**
 IV3000 **128**

INDEX

J

Jelonet **126**
Jobst UlcerCare **168**

K

Kaltostat **130**
Kaltostat Cavity **131**
Kaolin and Morphine mixture **62**
Kaolin light **62**
Kaolin mixture **62**
Kaolin mixture paediatric **62**
Kaolin poultices **62**
K-Band **100**
Keflex Pulvules **33**
 Tablets **33**
Keri Therapeutic Lotion **499**
Kerraboot **140**
Ketoconazole 2% cream **62**
Ketoconazole 2% shampoo **62**
Ketoconazole 200mg tablets **62**
Ketouria Detection Strips **385**
Ketoprofen 100mg capsules **62**
Ketoprofen 2.5% gel **62**
Ketoprofen 50mg capsules **62**
Ketostix **385**
Ketotifen 1mg/5ml oral solution sugar free **63**
Ketur Test Strips **385**
K-Four **98, 99**
K-Lite Bandage **96**
Kneecaps, Elastic **144**
Knit Fix **100**
Knit-Band **100**
Knit-Firm **96**
Knitted Elastomer and Viscose Bandage **96**
Knitted Polyamide and Cellulose Contour
 Bandage **97**
Knitted Polyester Primary Dressing Impregnated
 with Neutral Triglycerides **126**
Knitted Viscose Dressing Sterile **126**
Knitted Viscose Primary Dressing **126**
Ko-Flex **98**
Kolanticon Gel **33**
Kontour **100**
K-Plus Bandage **97**
K-Soft **98, 101**
K-Y Jelly **153**

L

Labetalol 100mg tablets **63**
Labetalol 200mg tablets **63**
Labetalol 400mg tablets **63**
Labetalol 50mg tablets **63**
Lacidipine 2mg tablets **63**
Lacidipine 4mg tablets **63**
Lactic acid **63**
LactiCare Lotion **499**
Lactose **63**
Lactulose 3.1-3.7g/5ml oral solution **63**
Lactulose Solution **500**
Lamotrigine 100mg dispersible tablets **63**
Lamotrigine 100mg tablets **63**
Lamotrigine 200mg tablets **63**
Lamotrigine 25mg dispersible tablets **63**
Lamotrigine 25mg tablets **63**
Lamotrigine 2mg dispersible tablets **63**
Lamotrigine 50mg tablets **63**

Lamotrigine 5mg dispersible tablets **63**
Lancets **150–151**
Lansoprazole 15mg gastro-resistant capsules **63**
Lansoprazole 15mg orodispersible gastro-
 resistant tablets **63**
Lansoprazole 30mg gastro-resistant capsules **63**
Lansoprazole 30mg gastro-resistant granules
 sachets **63**
Lansoprazole 30mg orodispersible gastro-
 resistant tablets **63**
Laryngectomy Protectors **165**
Laryngofoam **165**
Lasix Tablets **33**
Latanoprost 50micrograms/ml eye drops **63**
Latex Foam, Adhesive **153**
Leflunomide 10mg tablets **63**
Leflunomide 20mg tablets **63**
Lemon spirit **63**
Lercanidipine 10mg tablets **63**
Letrozole 2.5mg tablets **63**
Leukofix Surgical Tape **159**
Leukopore Surgical Tape **159**
Leukosilk Surgical Tape **159**
Leukostrip **161**
Levetiracetam 1g tablets **63**
Levetiracetam 250mg tablets **63**
Levetiracetam 500mg tablets **63**
Levobunolol 0.5% eye drops **64**
Levocetirizine 5mg tablets **64**
Levodopa 500mg tablets **64**
Levonorgestrel 750microgram tablets **64**
Levothyroxine sodium 100microgram tablets **64**
Levothyroxine sodium 25microgram tablets **64**
Levothyroxine sodium 50microgram tablets **64**
Lidocaine
 and Chlorhexidine Gel **500**
 Gel **500**
 Ointment **500**
Lidocaine 1% injection 10ml ampoules **64**
Lidocaine 1% injection 20ml ampoules **64**
Lidocaine 1% injection 2ml ampoules **64**
Lidocaine 1% injection 5ml ampoules **64**
Lidocaine 2% / Chlorhexidine 0.25% gel 11ml
 pre-filled syringes **64**
Lidocaine 2% / Chlorhexidine 0.25% gel 6ml pre-
 filled syringes **64**
Lidocaine 2% injection 20ml ampoules **64**
Lidocaine 2% injection 2ml ampoules **64**
Lidocaine 2% injection 5ml ampoules **64**
Linseed oil **64**
Lints Absorbent **153**
Liothyronine 20microgram tablets **64**
Lipobase **499**
LiquiBand **161**
Liquid Paraffin
 and Soft White Paraffin **499**
Liquid paraffin **64**
Liquid paraffin / Magnesium hydroxide oral
 emulsion **64**
Liquid paraffin 50% / White soft paraffin 50%
 ointment **64**
Liquid paraffin light **64**
Liquid paraffin oral emulsion **64**
Liquorice liquid extract **64**
Lisinopril 10mg / Hydrochlorothiazide 12.5mg
 tablets **64**
Lisinopril 10mg tablets **64**
Lisinopril 2.5mg tablets **64**
Lisinopril 20mg / Hydrochlorothiazide 12.5mg
 tablets **65**

Index

INDEX

- Lisinopril 20mg tablets **65**
 Lisinopril 5mg tablets **65**
 Lithium carbonate 200mg modified-release tablets **65**
 Lithium carbonate 250mg tablets **65**
 Lithium carbonate 450mg modified-release tablets **65**
 Lodoxamide 0.1% eye drops **65**
 Lofepamine 70mg tablets **65**
 Loperamide 1mg/5ml oral solution sugar free **65**
 Loperamide 2mg capsules **65**
 Loprazolam 1mg tablets **65**
 Loratadine 10mg tablets **65**
 Lorazepam 1mg tablets **65**
 Lorazepam 2.5mg tablets **65**
 Lormetazepam 1mg tablets **65**
 Lormetazepam 500microgram tablets **65**
 Losartan 100mg tablets **65**
 Losartan 25mg tablets **65**
 Losartan 50mg tablets **65**
 Lubricating Jelly **153**
 Lyofoam **137**
 Lyofoam C **129**
 Lyofoam Extra **138**
 Lyofoam Extra Adhesive **138**
- M**
- Magnesium carbonate light **65**
 Magnesium carbonate mixture aromatic **65**
 Magnesium Hydroxide Mixture **500**
 Magnesium hydroxide oral suspension **65**
 Magnesium Sulphate
 Paste **500**
 Magnesium sulphate **65**
 Magnesium sulphate 50% injection 2ml ampoules **65**
 Magnesium sulphate dried **65**
 Magnesium sulphate mixture **65**
 Magnesium sulphate paste **65**
 Magnesium trisilicate **65**
 Magnesium trisilicate oral suspension **65**
 Malathion
 Lotions Alcoholic **500**
 Lotions Aqueous **500**
 Malathion 0.5% alcoholic lotion **65**
 Malathion 0.5% aqueous liquid **65**
 Malathion 1% cream shampoo **65**
 Measuring Spoon **21**
 Mebendazole
 Oral Suspension **500**
 Tablets **500**
 Mebendazole 100mg chewable tablets **65**
 Mebendazole 100mg/5ml oral suspension **66**
 Mebeverine 135mg tablets **66**
 Mecysteine 100mg gastro-resistant tablets **66**
 Medicine Measure Oral **21**
 Mediplast **159**
 Medipore + **125**
 MediSense "G2" Strips **385**
 MediSense Optium Plus **386**
 MediSense Optium β -Ketone Test Strips **386**
 MediSense SoftSense **386**
 MediSense Thin **150**
 Medi-Test Glucose **385**
 Medi-Test Protein 2 **385**
 Medroxyprogesterone 100mg tablets **66**
 Medroxyprogesterone 10mg tablets **66**
 Medroxyprogesterone 150mg/ml injection 1ml pre-filled syringes **66**
 Medroxyprogesterone 2.5mg tablets **66**
 Medroxyprogesterone 200mg tablets **66**
 Medroxyprogesterone 400mg tablets **66**
 Medroxyprogesterone 5mg tablets **66**
 Mefenamic acid 250mg capsules **66**
 Mefenamic acid 500mg tablets **66**
 Mefilm Dressing **128**
 Mefix **159**
 Megestrol 160mg tablets **66**
 Megestrol 40mg tablets **66**
 Melgisorb **130**
 Melgisorb Cavity **131**
 Melolin Dressing **124**
 Meloxicam 15mg suppositories **66**
 Meloxicam 15mg tablets **66**
 Meloxicam 7.5mg suppositories **66**
 Meloxicam 7.5mg tablets **66**
 Menthol **66**
 Menthol and Eucalyptus Inhalation **497**
 Menthol and Eucalyptus inhalation **66**
 Mepiform **141**
 Mepilex **143**
 Mepilex Border **143**
 Mepilex Lite **143**
 Mepilex Transfer **142**
 Mepitel **142**
 Mepore Dressing **125**
 Mepore Ultra **129**
 Meptazinol 200mg tablets **66**
 Mesalazine 400mg gastro-resistant tablets **66**
 Mesorb **124**
 Metalline **164**
 Metatarsal Arch Supports **121**
 Metformin 500mg tablets **66**
 Metformin 850mg tablets **66**
 Metformin Tablets **33**
 Methadone 10mg/ml injection 1ml ampoules **66**
 Methadone 10mg/ml injection 2ml ampoules **66**
 Methadone 10mg/ml injection 3.5ml ampoules **66**
 Methadone 10mg/ml injection 5ml ampoules **66**
 Methadone 1mg/ml oral solution **66**
 Methadone 1mg/ml oral solution sugar free **67**
 Methadone 2mg/5ml linctus **67**
 Methadone 5mg tablets **67**
 Methadone hydrochloride **67**
 Methocarbamol 750mg tablets **67**
 Methotrexate 10mg tablets **67**
 Methotrexate 2.5mg tablets **67**
 Methyl salicylate **67**
 Methyl salicylate 25% liniment **67**
 Methyl salicylate 50% ointment **67**
 Methylcellulose 20 **67**
 Methylcellulose 500mg tablets **67**
 Methylcellulose Tablets **500**
 Methylidopa 125mg tablets **67**
 Methylidopa 250mg tablets **67**
 Methylidopa 500mg tablets **67**
 Methylphenidate 10mg tablets **67**
 Methylphenidate 20mg tablets **67**
 Methylphenidate 5mg tablets **67**
 Metoclopramide 10mg tablets **67**
 Metoclopramide 5mg/ml injection 2ml ampoules **67**
 Metolazone 5mg tablets **67**
 Metoprolol 100mg tablets **67**
 Metoprolol 50mg tablets **67**
 Metoprolol Tartrate Tablets **33**

INDEX

- Metronidazole
 Oral Suspension **497**
 Tablets **497**
 Metronidazole 200mg tablets **67**
 Metronidazole 200mg/5ml oral suspension **67**
 Metronidazole 400mg tablets **67**
 Metronidazole 500mg tablets **67**
 mhi-500 **151**
 Mianserin 10mg tablets **67**
 Mianserin 20mg tablets **67**
 Mianserin 30mg tablets **67**
 Miconazole
 Cream **500**
 Oromucosal Gel **497, 500**
 Miconazole 2% / Hydrocortisone 1% cream **67**
 Miconazole 2% / Hydrocortisone 1% ointment **67**
 Miconazole 2% cream **67**
 Miconazole 20mg/g oromucosal gel sugar free **68**
 Micro Medical **154**
 Micro-Fine Lancet **150**
 Micropore Surgical Tape **159**
 MillPlus **97**
 Milward Steri-Let Lancet **150**
 MiniVersol **153**
 Miniversol **152**
 Minocycline 100mg modified-release capsules **68**
 Minocycline 100mg tablets **68**
 Minocycline 50mg tablets **68**
 Mirtazapine 15mg orodispersible tablets **68**
 Mirtazapine 30mg orodispersible tablets **68**
 Mirtazapine 30mg tablets **68**
 Mirtazapine 45mg orodispersible tablets **68**
 Misoprostol 200microgram tablets **68**
 Mizolastine 10mg modified release tablets **68**
 Moclobemide 150mg tablets **68**
 Moclobemide 300mg tablets **68**
 Mometasone 0.1% cream **68**
 Mometasone 0.1% ointment **68**
 Mometasone 0.1% scalp lotion **68**
 Mometasone 50micrograms/actuation nasal spray **68**
 Monolet Extra Lancet **150**
 Monolet Lancet **150**
 Montelukast 10mg tablets **68**
 Montelukast 4mg chewable tablets **68**
 Montelukast 4mg granules sachets **68**
 Montelukast 5mg chewable tablets **68**
 Morphine 100mg modified-release tablets **68**
 Morphine 10mg modified-release capsules **68**
 Morphine 10mg modified-release tablets **68**
 Morphine 15mg modified-release tablets **68**
 Morphine 200mg modified-release capsules **68**
 Morphine 200mg modified-release tablets **68**
 Morphine 30mg modified-release capsules **68**
 Morphine 30mg modified-release tablets **68**
 Morphine 5mg modified-release tablets **68**
 Morphine 60mg modified-release capsules **68**
 Morphine 60mg modified-release tablets **68**
 Morphine and Cocaine elixir **69**
 Morphine hydrochloride **69**
 Morphine sulphate **69**
 Morphine sulphate 10mg/ml injection 1ml ampoules **69**
 Morphine sulphate 15mg suppositories **69**
 Morphine sulphate 15mg/ml injection 1ml ampoules **69**
 Morphine sulphate 30mg suppositories **69**
 Morphine sulphate 30mg/ml injection 1ml ampoules **69**
 Mouthwash Solution - Tablets **497, 500**
 Mouthwash solution tablets **69**
 Movicol Half **500**
 Moxonidine 200microgram tablets **69**
 Moxonidine 300microgram tablets **69**
 Moxonidine 400microgram tablets **69**
 Multi-layer Compression Bandaging **98—99**
 Multiload CU **122**
 Multiload CU 250 Short **122**
 Multiload CU 375 **122**
 Multiple Pack Dressing **126**
 Multi-Safe 375 **122**
 Mupirocin 2% cream **69**
 Mupirocin 2% nasal ointment **69**
 Mupirocin 2% ointment **69**
 Myrrh tincture **69**

N
 N-A Dressing **126**
 N-A Ultra Dressing **126**
 Nabumetone 500mg dispersible tablets **69**
 Nabumetone 500mg tablets **69**
 Nabumetone 500mg/5ml oral suspension sugar free **69**
 Naftidrofuryl 100mg capsules **69**
 Naproxen 250mg gastro-resistant tablets **69**
 Naproxen 250mg tablets **69**
 Naproxen 500mg gastro-resistant tablets **69**
 Naproxen 500mg tablets **69**
 Naproxen sodium 275mg tablets **69**
 Naratriptan 2.5mg tablets **69**
 Nasal Devices **153**
 Natrilix Tablets **34**
 Nebivolol 5mg tablets **69**
 Nebuhaler - *See - Aerosol Inhalation Chamber Devices* **94**
 Nebulizers **93**
 Nedocromil 2% eye drops **69**
 Needle Clipping Device **151**
 Needles for Pre-filled and Reusable Pen Injectors **149**
 Needles Hypodermic **147**
 Nefopam 30mg tablets **69**
 Neomycin 0.5% cream **69**
 Neomycin 0.5% eye ointment **69**
 Neosafe **100, 125**
 Neo-Safe T380 **122**
 Neosport **95**
 Neotulle **126**
 Netelast Tubular Stockinette **158**
 Neutrogena Dermatological Cream **499**
 Nicardipine 20mg capsules **69**
 Nicardipine 30mg capsules **69**
 Nicardipine 30mg modified-release capsules **70**
 Nicardipine 45mg modified-release capsules **70**
 Nicef Capsules **34**
 Nicorandil 10mg tablets **70**
 Nicorandil 20mg tablets **70**
 Nicorette Gum **34**
 Microtab **34**
 Patches **500**
 Nicotine
 Chewing Gum **500**
 Inhalator **500**
 Lozenge **500**
 Nasal Spray **500**
 Patch **500**
 Sublingual Tablets **500**

INDEX

- Nicotine 10mg inhalation cartridges with device
70
- Nicotine 10mg/16hours patches **70**
- Nicotine 15mg/16hours patches **70**
- Nicotine 1mg lozenges sugar free **70**
- Nicotine 21mg/24hours patches **70**
- Nicotine 2mg lozenges sugar free **70**
- Nicotine 2mg medicated chewing gum sugar free
70
- Nicotine 2mg sublingual tablets **70**
- Nicotine 4mg lozenges sugar free **70**
- Nicotine 4mg medicated chewing gum sugar free
70
- Nicotine 500micrograms/actuation nasal spray
70
- Nicotine 5mg/16hours patches **70**
- Nicotinell Gum **34**
- Lozenges **34**
- TTS Patches **34, 500**
- Nifedipine
- Capsules **34**
- Nifedipine 10mg capsules **70**
- Nifedipine 10mg modified-release capsules **70**
- Nifedipine 20mg modified-release capsules **70**
- Nifedipine 5mg capsules **34, 70**
- Nifedipine 60mg modified-release tablets **70**
- Niferex Elixir **539**
- Niko Fix IV Dressing **128**
- Nine Lives **152**
- Nipple Shields **153**
- NiQuitin CQ Patches **34, 500**
- Nitrazepam
- Tablets **497**
- Nitrazepam 2.5mg/5ml oral suspension **70**
- Nitrazepam 5mg tablets **70**
- Nitrofurantoin 100mg capsules **70**
- Nitrofurantoin 100mg modified-release capsules
70
- Nitrofurantoin 100mg tablets **70**
- Nitrofurantoin 50mg capsules **70**
- Nitrofurantoin 50mg tablets **70**
- Nitty Gritty NitFree **147**
- Nizatidine 150mg capsules **70**
- Nizatidine 300mg capsules **71**
- No Charge Items (Prescription Charges) **487**
- Non Prescribable Products **511—537**
- Norethisterone 1mg tablets **71**
- Norethisterone 5mg tablets **71**
- Norfloxacin 400mg tablets **71**
- Normasol **152**
- Nortriptyline 10mg tablets **71**
- Nortriptyline 25mg tablets **71**
- Nova T **122**
- Nova T 380 **122**
- Novogel **137**
- Novonorm Tablets **34**
- NovoPen 3 Classic, Demi, Fun **149**
- NovoPen Junior **149**
- Nozovent **153**
- Nu-Gel Dressing **136**
- Nurse Prescribable - Approved List of
Prescribable Preparations **499—501**
- Nylon & Viscose Stretch Bandage **100**
- Nylon Sutures See - *Polyamide Sutures* **160**
- Nystatin
- Ointment **497**
- Oral Suspension **497, 500**
- Pastilles **497, 500**
- Nystatin 100,000unit pastilles **71**
- Nystatin 100,000unit pessaries **71**
- Nystatin 100,000units/4g application vaginal
cream **71**
- Nystatin 100,000units/g cream **71**
- Nystatin 100,000units/g ointment **71**
- Nystatin 100,000units/ml oral suspension **71**
- Nystatin 100,000units/ml oral suspension sugar
free **71**
- Nystatin 500,000unit tablets **71**
- O**
- Oakmed Option Wound Manager **143**
- Occlusives Disposable **155**
- Ofloxacin 200mg tablets **71**
- Ofloxacin 400mg tablets **71**
- Oilatum
- Cream **499**
- Emollient **500**
- Fragrance Free **500**
- Gel **500**
- Olanzapine 10mg oral lyophilisates **71**
- Olanzapine 10mg tablets **71**
- Olanzapine 15mg oral lyophilisates **71**
- Olanzapine 15mg tablets **71**
- Olanzapine 2.5mg tablets **71**
- Olanzapine 5mg oral lyophilisates **71**
- Olanzapine 5mg tablets **71**
- Olanzapine 7.5mg tablets **71**
- Oleic acid **71**
- Olive Oil
- Ear Drops **500**
- Olive oil **71**
- Olmesartan 10mg tablets **71**
- Olmesartan 20mg tablets **71**
- Olmesartan 40mg tablets **71**
- Olsalazine 250mg capsules **71**
- Omeprazole 10mg dispersible gastro-resistant
tablets **71**
- Omeprazole 10mg gastro-resistant capsules **71**
- Omeprazole 10mg gastro-resistant tablets **71**
- Omeprazole 20mg dispersible gastro-resistant
tablets **71**
- Omeprazole 20mg gastro-resistant capsules **72**
- Omeprazole 20mg gastro-resistant tablets **72**
- Omeprazole 40mg dispersible gastro-resistant
tablets **72**
- Omeprazole 40mg gastro-resistant capsules **72**
- Omeprazole 40mg gastro-resistant tablets **72**
- Omnifix **159**
- On-Cost - Appliance Contractors **29**
- One Touch Strips **386**
- One Touch Ultra Strips **386**
- One Touch UltraSoft Lancet **150**
- Open-Wove Bandage **100**
- OpSite Flexigrid **128**
- OpSite IV3000 **128**
- OpSite Plus **129**
- Opticare **146**
- Opticare Arthro 10 **146**
- Opticare Arthro 5 **146**
- OptiFlo G **103**
- OptiFlo R **103**
- OptiFlo S **103**
- Optipen Pro 1 **149**
- Oral Contraceptive Drugs **486**
- Prescription Charges **486**
- Oral Film Foaming Agents **153**
- Oral Medicine Measure **21**
- Oral Syringe **21**

INDEX

- Orange syrup **72**
 Orange tincture **72**
 Orciprenaline 10mg/5ml oral solution sugar free **72**
 Ordinary Purpose Syringe **147**
 Orlistat 120mg capsules **72**
 Orphenadrine 50mg tablets **72**
 Ortho Vaginal Applicator **93**
 Ortho-Band Plus **98, 101**
 Ortho-Creme Cream **500**
 Orthoforms Pessaries **500**
 Orthovisc **162**
 Osbon ErecAid Classic **167**
 Osbon ErecAid Esteem **167**
 Ostenil **162**
 Otovent **94**
 Out of Pocket Expenses Provision for Payment **8**
 Oxazepam 10mg tablets **72**
 Oxazepam 15mg tablets **72**
 Oxcarbazepine 150mg tablets **72**
 Oxcarbazepine 300mg tablets **72**
 Oxcarbazepine 600mg tablets **72**
 Oxerutins 250mg capsules **72**
 Oxprenolol 20mg tablets **72**
 Oxprenolol 40mg tablets **72**
 Oxprenolol 80mg tablets **72**
 Oxybutinin Hydrochloride
 Tablets **34**
 Oxybutynin 2.5mg tablets **72**
 Oxybutynin 2.5mg/5ml oral solution **72**
 Oxybutynin 3mg tablets **72**
 Oxybutynin 5mg tablets **72**
 Oxygen
 Masks **390**
 Sets **389**
 Specifications **393—395**
 Stands **387**
 Use **387—402**
 Oxygen Concentrator Services -
 Claims for Payment **404**
 Description **401**
 Guidelines for Prescribing **400**
 List of Suppliers **404—406**
 Prescribable Equipment **403**
 Prescribing Arrangements **402**
 Transfer of Patients from Cylinders **403**
 Under Use of **403**
 Withdrawal of Emergency Back-Up Supply of
 Cylinders **403**
 Oxygen Cylinder Services -
 Basic Price of **393**
 Equipment **389—391**
 Compensation for Financial Loss of
393
 Procedure for Loaning of Equipment
 that may be Provided **388—389**
 Termination of Continued Use of **388**
 Illustrations **392**
 Oxytetracycline 250mg tablets **72**
 Oxytetracycline Tablets **497**
- P**
 P.E.C. High Compression Bandage **97**
 P.Grip Catheter Retaining Strap **103**
 Pack Dressing
 Multiple **126**
 Sterile **127**
 Pads
 Eye, with Bandage **127**
 Gauze **161**
 Pantoprazole 20mg gastro-resistant tablets **72**
 Pantoprazole 40mg gastro-resistant tablets **72**
 Paracetamol
 Oral Suspension **497, 500**
 Tablets **497, 500**
 Tablets Soluble **497, 500**
 Paracetamol 120mg suppositories **72**
 Paracetamol 120mg/5ml oral solution paediatric
72
 Paracetamol 120mg/5ml oral solution paediatric
 sugar free **72**
 Paracetamol 120mg/5ml oral suspension
 paediatric **72**
 Paracetamol 120mg/5ml oral suspension
 paediatric sugar free **72**
 Paracetamol 125mg suppositories **73**
 Paracetamol 240mg suppositories **73**
 Paracetamol 250mg suppositories **73**
 Paracetamol 250mg/5ml oral suspension **73**
 Paracetamol 250mg/5ml oral suspension sugar
 free **73**
 Paracetamol 500mg / Dihydrocodeine 20mg
 tablets **73**
 Paracetamol 500mg / Dihydrocodeine 30mg
 tablets **73**
 Paracetamol 500mg / Metoclopramide 5mg
 tablets **73**
 Paracetamol 500mg capsules **73**
 Paracetamol 500mg soluble tablets **73**
 Paracetamol 500mg suppositories **73**
 Paracetamol 500mg tablets **73**
 Paracetamol 60mg suppositories **73**
 Paraffin
 Gauze Dressings **126**
 Soft White **499**
 Soft Yellow **499**
 Paraffin hard **73**
 Paraffin hard MP 43-46°C **73**
 Paranal **126**
 Paratex **98, 126**
 Paroxetine 10mg/5ml oral suspension sugar free
73
 Paroxetine 20mg tablets **73**
 Paroxetine 30mg tablets **73**
 Patient Medication Records **417**
 Payment - Suspension of Chemists by Direction
 of NHS Tribunal **541**
 Peak Flow Meters **154**
 Pecche Bandage **97**
 Penbritin Capsules **34**
 Penciclovir 1% cream **73**
 Penicillamine 125mg tablets **73**
 Penicillamine 250mg tablets **73**
 Pentazocine 25mg tablets **73**
 Pentazocine 30mg/ml injection 1ml ampoules **73**
 Pentazocine 30mg/ml injection 2ml ampoules **73**
 Pentazocine 50mg capsules **73**
 Pentoxifylline 400mg modified-release tablets **73**
 Peppermint emulsion concentrated **73**
 Peppermint oil **73**
 Peppermint oil 0.2ml gastro-resistant capsules
73
 Peppermint oil 0.2ml gastro-resistant modified-
 release capsules **73**
 Peppermint water concentrated **73**
 Pergolide 1mg tablets **73**
 Pergolide 250microgram tablets **74**
 Pergolide 50microgram tablets **74**
 Perindopril 2mg tablets **74**
 Perindopril 4mg tablets **74**

INDEX

- Perindopril 8mg tablets **74**
 PermaFoam **141**
 PermaFoam Comfort **139**
 Permeable Adhesive Tape
 Woven **159**
 Permethrin
 Cream **500**
 Permethrin 1% scalp application **74**
 Permethrin 5% cream **74**
 Pessaries
 Hodge **155**
 Polythene **155**
 PVC **155**
 Ring **155**
 Pethidine
 Tablets **497**
 Pethidine 50mg tablets **74**
 Pethidine 50mg/ml injection 1ml ampoules **74**
 Pethidine 50mg/ml injection 2ml ampoules **74**
 PFA Dressing **127**
 Phenelzine 15mg tablets **74**
 Phenindione 10mg tablets **74**
 Phenindione 25mg tablets **74**
 Phenindione 50mg tablets **74**
 Phenobarbital 15mg tablets **74**
 Phenobarbital 15mg/5ml elixir **74**
 Phenobarbital 30mg tablets **74**
 Phenobarbital 60mg tablets **74**
 Phenol **74**
 Phenol liquefied **74**
 Phenothrin
 Alcoholic Lotion **500**
 Aqueous Lotion **500**
 Phenothrin 0.2% lotion **74**
 Phenothrin 0.5% liquid **74**
 Phenoxymethylpenicillin
 Oral Solution **497**
 Tablets **497**
 Phenoxymethylpenicillin 125mg/5ml oral solution **74**
 Phenoxymethylpenicillin 250mg tablets **74**
 Phenoxymethylpenicillin 250mg/5ml oral solution **74**
 Phenylephrine 10% eye drops **74**
 Phenytoin 30mg/5ml oral suspension **74**
 Phenytoin sodium 100mg capsules **74**
 Phenytoin sodium 100mg tablets **74**
 Phenytoin sodium 25mg capsules **74**
 Phenytoin sodium 300mg capsules **74**
 Phenytoin sodium 50mg capsules **74**
 Pholcodine 10mg/5ml linctus strong **74**
 Pholcodine 10mg/5ml linctus strong sugar free **74**
 Pholcodine 2mg/5ml oral solution sugar free **74**
 Pholcodine 5mg/5ml linctus **74**
 Pholcodine 5mg/5ml linctus sugar free **74**
 Phosphate Suppositories NPF **500**
 Phosphates Enema **500**
 Phosphates enemas (Formula B) 128ml long tube **75**
 Phosphates enemas (Formula B) 128ml standard tube **75**
 Physiotulle **142**
 Phytomenadione 10mg tablets **75**
 Phytomenadione 10mg/ml injection 1ml ampoules **75**
 Phytomenadione 2mg/ml injection 0.5ml ampoules **75**
 Pilocarpine hydrochloride 0.5% eye drops **75**
 Pilocarpine hydrochloride 1% eye drops **75**
 Pilocarpine hydrochloride 2% eye drops **75**
 Pilocarpine hydrochloride 3% eye drops **75**
 Pilocarpine hydrochloride 4% eye drops **75**
 Pimozide 4mg tablets **75**
 Pioglitazone 15mg tablets **75**
 Pioglitazone 30mg tablets **75**
 Pioglitazone 45mg tablets **75**
 Piperazine 4g / Senna 15.3mg oral powder sachets **75**
 Piperazine and Senna Powder **500**
 Piroxicam 0.5% gel **75**
 Piroxicam 10mg capsules **75**
 Piroxicam 20mg capsules **75**
 Piroxicam 20mg dispersible tablets **75**
 Pizotifen 1.5mg tablets **75**
 Pizotifen 250micrograms/5ml elixir sugar free **75**
 Pizotifen 500microgram tablets **75**
 Plaster of Paris Bandage **100**
 Plasters
 Belladonna **155**
 Corn **121**
 Plastics
 Connector (Suprapubic Belt) **158**
 Tubing for Douches **123**
 Pocket Riddopag Inhaler **93**
 Pocket Scan Strips **386**
 Podophyllin compound paint **75**
 Podophyllin paint **75**
 Podophyllum resin **75**
 Polyamide and Cellulose
 Contour Bandage **100**
 Contour Bandage Knitted **100**
 Polyamide Sutures
 Monofilament **160**
 Polyamide, Elastane, and Cotton Compression Bandage **97**
 Polyskin II **128**
 Polyskin MR **128**
 Polythene
 Ring Pessary **155**
 Polyurethane Foam Dressing **137**
 Polyurethane Foam Film Dressing - Sterile - Lightly to non-exuding wounds **138**
 Polyurethane Foam Film Dressing - Sterile - Moderate to heavily exuding wounds **139, 140**
 Polyurethane Foam Film Dressing - Sterile - With Adhesive Border **138**
 Polyurethane Matrix Dressing **141**
 Pos-T-Vac **166**
 Potassium bromide **75**
 Potassium bromide mixture **75**
 Potassium chlorate **75**
 Potassium chloride **75**
 Potassium chloride 600mg / Potassium bicarbonate 400mg effervescent tablets **75**
 Potassium chloride 600mg modified-release tablets **75**
 Potassium citrate **75**
 Potassium citrate mixture **75**
 Potassium effervescent tablets **75**
 Potassium iodide **75**
 Potassium iodide ammoniated mixture **76**
 Potassium nitrate **76**
 Potassium permanganate **76**
 Potassium permanganate 0.1% solution **76**
 Povidone - Iodine
 Fabric Dressing **127**
 Povidone-Iodine
 Mouthwash **497**
 Solution **500**

INDEX

- Povidone-Iodine 1% mouthwash **76**
 Povidone-Iodine 1.14% dry powder spray **76**
 Pravastatin 10mg tablets **76**
 Pravastatin 20mg tablets **76**
 Pravastatin 40mg tablets **76**
 Praxilene Capsules **34**
 Prazosin 1mg tablets **76**
 Prazosin 2mg tablets **76**
 Prazosin 500microgram tablets **76**
 Prednisolone 1mg tablets **76**
 Prednisolone 2.5mg gastro-resistant tablets **76**
 Prednisolone 25mg tablets **76**
 Prednisolone 5mg gastro-resistant tablets **76**
 Prednisolone 5mg soluble tablets **76**
 Prednisolone 5mg tablets **76**
 Prednisolone acetate 1% eye drops **76**
 Prednisolone sodium phosphate 0.5% ear/eye drops **76**
 Prednisolone Tablets
 Enteric-Coated **34**
 Prentif Cap **122**
 Prepayment Certificates **485**
 Pre-Registration Trainees - Payments **413**
 Prescription Forms Submission of **5**
 Prestige Smart System **386**
 Primapone **125**
 Primary **126**
 Primidone 250mg tablets **76**
 ProCare Lancet **150**
 Prochlorperazine 25mg suppositories **76**
 Prochlorperazine 3mg buccal tablets **76**
 Prochlorperazine 5mg effervescent granule sachets sugar free **76**
 Prochlorperazine 5mg suppositories **76**
 Prochlorperazine 5mg tablets **76**
 Prochlorperazine 5mg/5ml oral solution **76**
 Procyclidine 2.5mg/5ml oral solution sugar free **76**
 Procyclidine 5mg tablets **76**
 Procyclidine 5mg/5ml oral solution sugar free **76**
 Professional Fees for Prescriptions Dispensed - Provision for Payment
 - Oxygen Contractors **387**
 - Pharmacy Contractors **15**
 Professional Fees, Pharmacy **15**
 Proflavine
 Cream **34**
 Proflavine 0.1% cream **76**
 Proflavine 0.1% solution **76**
 Proflavine hemisulphate **76**
 Profore 4 system **99**
 Profore Bandage **99**
 Proguanil 100mg tablets **77**
 ProGuide 2 system **99**
 Promazine 25mg tablets **77**
 Promazine 25mg/5ml oral solution **77**
 Promazine 50mg tablets **77**
 Promazine 50mg/5ml oral solution **77**
 Promethazine 5mg/5ml oral solution **77**
 Promethazine Hydrochloride
 Tablets **497**
 Promethazine hydrochloride 10mg tablets **77**
 Promethazine hydrochloride 25mg tablets **77**
 Promethazine Oral Solution **497**
 Promogran **141**
 Propafenone 150mg tablets **77**
 Propafenone 300mg tablets **77**
 Propranolol 10mg tablets **77**
 Propranolol 160mg tablets **77**
 Propranolol 40mg tablets **77**
 Propranolol 80mg tablets **77**
 Propylene glycol **77**
 Propylthiouracil 50mg tablets **77**
 Protease Modulating Matrix **141**
 Protectors, Laryngectomy **165**
 Tracheostomy **165**
 Proteinuria Detection Strips **385**
 Prothiaden Capsules **34**
 Provera Tablets **34**
 Provox FreeHands HME System **163**
 Provox HME System **163**
 Provox Stomafilter **163**
 Pseudoephedrine 30mg/5ml linctus sugar free **77**
 Pseudoephedrine 30mg/5ml oral solution **77**
 Pseudoephedrine 60mg tablets **77**
 Purified talc **77**
 Purified water **77**
 Purilon Gel **136**
 PVC Ring Pessary **155**
 Pyridostigmine bromide 60mg tablets **77**
 Pyridoxine 50mg tablets **77**
- Q**
- Quality of Drug or Preparation General Requirements **3**
 Quantity to be Supplied - Payment Thereof **7**
 Quetiapine 100mg tablets **77**
 Quetiapine 150mg tablets **77**
 Quetiapine 200mg tablets **77**
 Quetiapine 25mg tablets **77**
 Quetiapine 300mg tablets **77**
 Quinapril 10mg tablets **77**
 Quinapril 20mg tablets **77**
 Quinapril 40mg tablets **77**
 Quinapril 5mg tablets **77**
 Quinine bisulphate 300mg tablets **77**
 Quinine sulphate 200mg tablets **77**
 Quinine sulphate 300mg tablets **77**
- R**
- Rabeprazole 10mg gastro-resistant tablets **77**
 Rabeprazole 20mg gastro-resistant tablets **78**
 Raloxifene 60mg tablets **78**
 Ramipril 1.25mg capsules **78**
 Ramipril 1.25mg tablets **78**
 Ramipril 10mg capsules **78**
 Ramipril 10mg tablets **78**
 Ramipril 2.5mg capsules **78**
 Ramipril 2.5mg tablets **78**
 Ramipril 5mg capsules **78**
 Ramipril 5mg tablets **78**
 Ranitidine 150mg effervescent tablets **78**
 Ranitidine 150mg tablets **78**
 Ranitidine 300mg effervescent tablets **78**
 Ranitidine 300mg tablets **78**
 Ranitidine 75mg/5ml oral solution sugar free **78**
 Ranitidine bismuth citrate 400mg tablets **78**
 Rapport Classic **167**
 Rapport Premier **167**
 Rapport Ring Loading System **167**
 Raspberry syrup **78**
 Rat-Tail Syringe See - Ear Syringe **162**
 Reboxetine 4mg tablets **78**
 Red Line Bandage **96**
 Reflexions Flat Spring Diaphragm **123**
 Regal Swabs **162**
 Release Dressing **124**

INDEX

- Reliever, Breast **102**
 Replicare Ultra **133**
 Residential Homes, Advice to **415**
 Retention Rings **167**
 Reusable Pens **148**
 Reward Scheme - Fraudulent Prescription forms **419-421**
 Ribbed Cotton and Viscose Stockinette **158**
 Ribbed Cotton and Viscose Surgical Tubular Stockinette **158**
 Ribbon Gauze (Absorbent) **147**
 Riddell Minor Inhaler **93**
 Riddopag Pocket Inhaler **93**
 Rifampicin 150mg capsules **78**
 Rifampicin 300mg capsules **78**
 Ring
 Bunion **121**
 Corn **121**
 Ring Pessaries **155**
 Polythene **155**
 PVC **155**
 Risedronate sodium 30mg tablets **78**
 Risedronate sodium 35mg tablets **78**
 Risedronate sodium 5mg tablets **78**
 Risperidone 1mg orodispersible tablets **78**
 Risperidone 1mg tablets **78**
 Risperidone 1mg/ml oral liquid **78**
 Risperidone 2mg orodispersible tablets **78**
 Risperidone 2mg tablets **78**
 Risperidone 3mg tablets **78**
 Risperidone 4mg tablets **78**
 Risperidone 500microgram tablets **78**
 Risperidone 6mg tablets **78**
 Rofecoxib Tablets **497**
 Rosidal K **101**
 Rosiglitazone 4mg tablets **78**
 Rosiglitazone 8mg tablets **78**
 Rosuvastatin 10mg tablets **78**
 Rosuvastatin 20mg tablets **78**
 Rosuvastatin 40mg tablets **78**
 Rubber, Understraps (Suprapubic Belts) **158**
 Rybar Standard Inhaler **93**
- S**
- Saccharin sodium **78**
 Salbutamol 100micrograms/actuation inhaler **79**
 Salbutamol 100micrograms/actuation inhaler CFC free **79**
 Salbutamol 1mg/ml nebuliser liquid 2.5ml unit dose vials **79**
 Salbutamol 200microgram inhalation powder capsules **79**
 Salbutamol 200micrograms/actuation dry powder inhaler **79**
 Salbutamol 2mg tablets **79**
 Salbutamol 2mg/5ml oral solution sugar free **79**
 Salbutamol 2mg/ml nebuliser liquid 2.5ml unit dose vials **79**
 Salbutamol 400microgram inhalation powder capsules **79**
 Salbutamol 4mg modified-release tablets **79**
 Salbutamol 4mg tablets **79**
 Salbutamol 8mg modified-release tablets **79**
 Salbutamol 95micrograms/actuation dry powder inhaler **79**
 Salicylic acid **79**
 Salicylic acid 2% / Betamethasone dipropionate 0.05% scalp application **79**
 Salicylic acid 2% lotion **79**
 Salicylic acid 2% ointment **79**
 Salicylic acid 3% / Betamethasone dipropionate 0.05% ointment **79**
 Salicylic acid 3% / Sulphur 3% ointment **79**
 Saline Irrigation Fluids **152**
 Salinum **144**
 Saliveze **497**
 Salivix **497**
 Salmeterol 25micrograms/actuation inhaler **79**
 Salmeterol 50micrograms/actuation dry powder inhaler **79**
 Scanpor **159**
 Scott Curwen **96**
 Screw On Needles **149**
 SeaSorb Soft **131**
 SeaSorb Soft Filler **131**
 Selegiline 10mg tablets **79**
 Selegiline 5mg tablets **79**
 Senna
 Granules **500**
 Oral Solution **500**
 Tablets **500**
 Senna 15mg/5ml granules **79**
 Senna 7.5mg tablets **80**
 Senna 7.5mg/5ml oral solution **80**
 Senna and Ispaghula Granules **500**
 Senna fruit 12.4% / Ispaghula 54.2% granules **80**
 Senokot Syrup **34**
 Sertraline 100mg tablets **80**
 Sertraline 50mg tablets **80**
 Setocrepe **95-98**
 Seton Ribbed Stockinette **158**
 Setopress **97**
 Setoprime **98**
 Shade Eye **146**
 Sharpshin **151**
 Shields
 Breast **102**
 Nipple **153**
 Rubber **158**
 Short Stretch Compression Bandage **101**
 Sibutramine 10mg capsules **80**
 Sibutramine 15mg capsules **80**
 Sigma ETB **156**
 Sildenafil 100mg tablets **80**
 Sildenafil 25mg tablets **80**
 Sildenafil 50mg tablets **80**
 Silgel **141**
 Silgel STC-SE **141**
 Silicone Gel Sheet **141**
 Silicone Topical Cream **141**
 Silk Suture Braided **126**
 Silkolan **101**
 Silver Coated Barrier Dressing **142**
 Silver Impregnated Polyurethane Foam Film Dressing **142**
 Silver nitrate 95% caustic pencil **80**
 Silver sulfadiazine 1% cream **80**
 Simple eye ointment **80**
 Simple linctus **80**
 Simple linctus paediatric **80**
 Simple linctus sugar free **80**
 Simulated Leather Finger Stalls **146**
 Simvastatin 10mg tablets **80**
 Simvastatin 20mg tablets **80**
 Simvastatin 40mg tablets **80**
 Simvastatin 80mg tablets **80**
 Skin Adhesives
 Sterile **161**

INDEX

- Skin Closure Strips **161**
 Skintact Dressing **124**
 Sling, Arm **93**
 Slinky Bandage **100**
 Snap on Needles **149**
 Soap liniment methylated **80**
 Soap spirit methylated **80**
 Sodium Bicarbonate
 Ear Drops **144, 500**
 Sodium bicarbonate **80**
 Sodium bicarbonate 500mg capsules **80**
 Sodium bicarbonate 600mg tablets **80**
 Sodium bicarbonate mixture paediatric **80**
 Sodium Chloride
 Mouthwash, Compound **498**
 Solution Sterile **500**
 Sodium chloride **80**
 Sodium chloride 0.9% eye drops **80**
 Sodium chloride 0.9% intravenous infusion 100ml vials **80**
 Sodium chloride 0.9% intravenous infusion 10ml ampoules **80**
 Sodium chloride 0.9% intravenous infusion 20ml ampoules **80**
 Sodium chloride 0.9% intravenous infusion 2ml ampoules **80**
 Sodium chloride 0.9% intravenous infusion 50ml ampoules **80**
 Sodium chloride 0.9% intravenous infusion 50ml vials **80**
 Sodium chloride 0.9% intravenous infusion 5ml ampoules **81**
 Sodium chloride 0.9% solution **81**
 Sodium chloride compound mixture **81**
 Sodium chloride compound mouthwash **81**
 Sodium Citrate
 Enema, Compound **500**
 Sodium citrate **81**
 Sodium cromoglicate 2% eye drops **81**
 Sodium cromoglicate 4% nasal spray **81**
 Sodium cromoglicate 5mg/actuation inhaler **81**
 Sodium dihydrogen phosphate dihydrate **81**
 Sodium ferredetate 190mg/5ml oral solution sugar free **81**
 Sodium Fluoride
 Oral Drops **498**
 Tablets **498**
 Sodium fluoride 0.37% oral drops sugar free **81**
 Sodium fluoride 1.1mg chewable tablets **81**
 Sodium fluoride 1.1mg tablets **81**
 Sodium fluoride 2.2mg chewable tablets **81**
 Sodium fluoride 2.2mg tablets **81**
 Sodium Fusidate
 Ointment **498**
 Sodium fusidate 2% ointment **81**
 Sodium metabisulphite **81**
 Sodium Picosulfate
 Capsules **500**
 Elixir **500**
 Sodium picosulfate 5mg/5ml oral solution sugar free **81**
 Sodium salicylate **81**
 Sodium valproate 100mg tablets **81**
 Sodium valproate 200mg gastro-resistant tablets **81**
 Sodium valproate 200mg/5ml oral solution **81**
 Sodium valproate 200mg/5ml oral solution sugar free **81**
 Sodium valproate 500mg gastro-resistant tablets **81**
 Soffban Natural Bandage **101**
 Sofcrepe Bandage **95**
 Sofshield Laryngectomy Protectors **165**
 Soft Polymer Wound Contact Dressing **142**
 Impregnated with Silver **142**
 Soft Silicone Wound Contact Dressing **142**
 Softclix Lancet **151**
 Softclix XL **151**
 Softex **98, 101**
 Softpore **125**
 Solvaline N **124**
 Sorbalgon **130**
 Sorbalgon T **131**
 Sorbsan **130**
 Sorbsan Packing **131**
 Sorbsan Plus **130**
 Sorbsan Plus Carbon **129**
 Sorbsan Plus SA **130**
 Sorbsan Ribbon **131**
 Sotalol 160mg tablets **81**
 Sotalol 200mg tablets **81**
 Sotalol 40mg tablets **81**
 Sotalol 80mg tablets **81**
 Special Container **7**
 Specifications of Appliances General
 Requirements **3**
 Spironolactone 100mg tablets **81**
 Spironolactone 25mg tablets **81**
 Spironolactone 50mg tablets **81**
 Spoons Measuring **21**
 Spring Trusses **165**
 Squill oxymel **82**
 SST Saliva Stimulating Tablets **144**
 Standard Dressings **127**
 Stayform Bandage **100**
 Stearic acid **82**
 Sterculia and Frangula Granules **500**
 Sterculia Granules **500**
 Stericlens **152**
 Steriflex **125**
 Sterile
 Dressing Pack **127**
 Eye Pad **127**
 Sterile Knitted Viscose Dressing **126**
 Steripod **152**
 Steri-strip **161**
 Stockinettes **156—158**
 Stockings, Elastic
 Below Knee **144—145**
 Thigh **144—145**
 Strappal **159**
 Streptokinase and Streptodornase Topical **500**
 Stretch Bandage Nylon & Viscose **100**
 Stugeron Tablets **34**
 Sub-compression Wadding Bandage **101**
 Submission of Prescription Forms to Processing
 Divisions **5**
 Sucralfate 1g tablets **82**
 Sucrose **82**
 Sudafed Elixir **34**
 Sudafed Tablets **34**
 Sulfasalazine 500mg gastro-resistant tablets **82**
 Sulfasalazine 500mg tablets **82**
 Sulindac 100mg tablets **82**
 Sulindac 200mg tablets **82**
 Sulphur precipitated **82**
 Sulphur sublimed **82**
 Sulphuric acid dilute **82**
 Sulpiride 200mg tablets **82**
 Sulpiride 400mg tablets **82**

INDEX

-
- Sumar Lite **131**
 Sumar Max **131**
 Sumatriptan 100mg tablets **82**
 Sumatriptan 10mg unit dose nasal spray **82**
 Sumatriptan 12mg/ml injection 0.5ml pre-filled syringes **82**
 Sumatriptan 12mg/ml injection 0.5ml syringe refill **82**
 Sumatriptan 20mg unit dose nasal spray **82**
 Sumatriptan 50mg tablets **82**
 Supartz **162**
 Suplasyn **162**
 Suprapubic Belts **158**
 Replacements Parts for **158**
 Suprapubic Catheters *See - Catheters, Urinary, Urethral*
 Supreme Spectrum Strips **385**
 Supreme Strips **385**
 SurePress **97**
 SurePress Bandage **98, 102**
 SurePress Comfort Pro **168**
 Surgical Adhesive Tape **159**
 Surgical spirit **82**
 Surgical Sutures **160**
 Suspender Belts **145**
 Suspenders, Mens **145**
 Suspensory Bandages, Cotton **102**
 Suspensory Systems **169**
 Sutherland Lubricating Jelly **153**
 Sutures
 Absorbable **160**
 Non-Absorbable **160**
 Swabs
 Non-Woven Fabric, Filmed **162**
 Non-Woven Fabric, Non Sterile **162**
 Non-Woven Fabric, Sterile **162**
 Swabs Gauze
 Filmed **161**
 Non Sterile **161**
 Sterile **161**
 Synovial Fluid **162**
 Synvisc **162**
 Syringes
 Bladder/Irrigating **162**
 Ear **162**
 Enema Higginson's **162**
 Hypodermic Equipment
 Insulin **147-148**
 Medicine (Oral) **21**
 Ordinary Purpose **147**
 Sterile U100 **148**
 U100 **147**
 Spare Vaginal Pipes **162**
 Syrup **82**
 Syrup unpreserved **82**
 System 4 Bandages **98, 99**
- T**
- Tacrolimus 1mg capsules **82**
 Tacrolimus 500microgram capsules **82**
 Tacrolimus 5mg capsules **82**
 Tadalafil 10mg tablets **82**
 Tadalafil 20mg tablets **82**
 Tamoxifen 10mg tablets **82**
 Tamoxifen 20mg tablets **82**
 Tamoxifen 40mg tablets **83**
 Tamsulosin 400microgram modified-release capsules **83**
 Tape Surgical Adhesive **159**
 Tartaric acid **83**
 Tegaderm Dressing **128**
 Tegaderm IV Dressing **128**
 Tegagen **130, 131**
 Tegapore **142**
 Tegasorb **132, 133**
 Thin **134**
 Telfa Dressing **125**
 Telfa Island Dressing **125**
 Telfa Max **124**
 Telmisartan 20mg tablets **83**
 Telmisartan 40mg tablets **83**
 Telmisartan 80mg tablets **83**
 Temazepam
 Oral Solution **498**
 Tablets **498**
 Temazepam 10mg tablets **83**
 Temazepam 10mg/5ml oral solution sugar free **83**
 Temazepam 20mg tablets **83**
 Tenoxicam 20mg tablets **83**
 Tensopress **97**
 Terazosin 10mg tablets **83**
 Terazosin 2mg tablets **83**
 Terazosin 5mg tablets **83**
 Terbinafine 1% cream **83**
 Terbinafine 1% spray **83**
 Terbinafine 250mg tablets **83**
 Terbutaline 1.5mg/5ml oral solution sugar free **83**
 Terbutaline 250micrograms/actuation inhaler **83**
 Terbutaline 500micrograms/actuation dry powder inhaler **83**
 Terbutaline 5mg tablets **83**
 Test Tubes **162**
 Testosterone 40mg capsules **83**
 Testosterone 50mg gel sachets **83**
 Tetrabenazine 25mg tablets **83**
 Tetracycline
 Tablets **498**
 Tetracycline 250mg tablets **83**
 Textube **156**
 Theophylline 125mg modified-release capsules **83**
 Theophylline 175mg modified-release tablets **83**
 Theophylline 250mg modified-release capsules **83**
 Theophylline 250mg modified-release tablets **83**
 Theophylline 400mg modified-release tablets **83**
 Theophylline 60mg modified-release capsules **83**
 Therasense Freestyle **386**
 Thermometer, Fertility **122**
 Thiamine 100mg tablets **83**
 Thiamine 50mg tablets **83**
 Thigh Stockings, Elastic **144-146**
 Thioridazine 100mg tablets **83**
 Thioridazine 10mg tablets **83**
 Thioridazine 25mg tablets **84**
 Thioridazine 25mg/5ml oral solution **84**
 Thioridazine 50mg tablets **84**
 Thymol Glycerin Compound **500**
 Thymol glycerin compound mouthwash **84**
 Tiaprofenic acid 300mg modified-release capsules **84**
 Tibolone 2.5mg tablets **84**
 Tielle **138**
 Tielle Borderless **138**
 Tielle Lite **138**
 Tielle Packing **131**
 Tielle Plus **140**
 Tielle Plus Borderless **141**
-

INDEX

- Tielle Sacrum **138**
 Timolol 0.25% eye drops **84**
 Timolol 0.5% eye drops **84**
 Timolol 10mg tablets **84**
 Tinidazole 500mg tablets **84**
 Tioconazole 28.3% nail solution **84**
 Tissue Gauze **147**
 Titanium
 Ointment **500**
 Tizanidine 2mg tablets **84**
 Tizanidine 4mg tablets **84**
 Tolbutamide 500mg tablets **84**
 Tolterodine 1mg tablets **84**
 Tolterodine 2mg tablets **84**
 Torasemide 10mg tablets **84**
 Torasemide 2.5mg tablets **84**
 Torasemide 5mg tablets **84**
 Tracheo Brush **164**
 Tracheostomy
 Breathing Aids **163**
 Dressings **164**
 Protectors **165**
 Tube Holders **164**
 Voice Prosthesis Cleaning Brush **165**
 Trachi-Dress Dressings **164**
 Trachi-Naze Nasal Restoration **164**
 Trachi-Naze Plus Filters **164**
 Trachi-Naze Plus Nasal Restoration **164**
 Trachi-Naze Plus Stoma Stud **164**
 Tragacanth **84**
 Tramadol 100mg modified-release tablets **84**
 Tramadol 150mg modified-release tablets **84**
 Tramadol 200mg modified-release tablets **84**
 Tramadol 50mg capsules **84**
 Trandate Tablets **34**
 Trandolapril 2mg capsules **84**
 Trandolapril 4mg capsules **84**
 Trandolapril 500microgram capsules **84**
 Tranexamic acid 500mg tablets **84**
 Transorbent **138**
 Transparency Directive **541**
 Tranylcypromine 10mg tablets **84**
 Trazodone 100mg capsules **84**
 Trazodone 150mg tablets **84**
 Trazodone 50mg capsules **84**
 Triamcinolone 0.1% oromucosal paste **84**
 Triamcinolone 55micrograms/actuation nasal spray **84**
 Triamcinolone Dental Paste **498**
 Triamterene 50mg / Furosemide 40mg tablets **84**
 Triamterene 50mg capsules **84**
 Triangular Bandage, Calico **102**
 Triclofos 500mg/5ml oral solution **84**
 Tricotex **126**
 Trifluoperazine 10mg modified-release capsules **85**
 Trifluoperazine 15mg modified-release capsules **85**
 Trifluoperazine 1mg tablets **85**
 Trifluoperazine 5mg tablets **85**
 Trifluoperazine 5mg/5ml oral solution sugar free **85**
 Trihexyphenidyl 2mg tablets **85**
 Trihexyphenidyl 5mg tablets **85**
 Trimethoprim 100mg tablets **85**
 Trimethoprim 200mg tablets **85**
 Trimethoprim 50mg/5ml oral suspension sugar free **85**
 Trimipramine 10mg tablets **85**
 Trimipramine 25mg tablets **85**
 Trimipramine 50mg capsules **85**
 Trionic **130**
 Trionic Rope **131**
 TrueTrack System **386**
 Trufoam **140**
 Trufoam NA **141**
 Trusses
 Elastic Band **166**
 Spring **165**
 Umbilical "Belts" Infants **166**
 Understrap, Replacements and Repairs **166**
 T-Safe 380A **122**
 Tubifast **157**
 Tubigrip **156**
 Tubilux **152**
 Tubing
 Plastics **123**
 Tubipad **156**
 Tubular Bandage **102**
 Tulle Dressings **126**
 Tulle Gras Dressing **126**
 Turpentine oil **85**
- U**
 Ultec Pro **132, 133**
 Ultra Fast Cohesive Bandage **98**
 Ultra Four 4 system **99**
 Ultra Four Bandages **98**
 Ultra Four Wound Dressing **98**
 Ultra Lite **98**
 Ultra Plus **98**
 Ultra Soft Wadding Bandage **98, 102**
 Ultrabase **499**
 Unguentum M **499**
 Unilet ComforTouch Lancet **151**
 Unilet General Purpose Lancet **151**
 Unilet General Purpose Superlite Lancet **151**
 Unilet Superlite Lancet **151**
 Urgosorb Pad **131**
 Urgosorb Rope **131**
 Urgotul **142**
 Urgotul SSD **142**
 Uriflex G **103**
 Uriflex R **103**
 Uriflex S **103**
 Uriflex SP **103**
 Uriflex W **103**
 Urinals
 Rubber (Suprapubic) **158**
 Uro-Tainer NaCl **103**
 Uro-Tainer Solution R **103**
 Uro-Tainer Suby G **103**
 Uro-Tainer Twin Solutio R **103**
 Uro-Tainer Twin Suby G **103**
 Ursodeoxycholic acid 150mg tablets **85**
 Ursodeoxycholic acid 250mg capsules **85**
- V**
 V.E.C. High Compression Bandage **97**
 Vacuskin **128**
 Vacutex **131**
 Vaginal Applicator
 Durex **93**
 Ortho **93**
 Vaginal Contraceptive
 Applicators **93**
 Caps **122—123**
 Diaphragm **123**

INDEX

- Vaginal Pipe Spare, for Enema Syringe **162**
Valaciclovir 500mg tablets **85**
Valdecoxib 10mg tablets **85**
Valdecoxib 20mg tablets **85**
Valdecoxib 40mg tablets **85**
Valproic acid 250mg gastro-resistant tablets **85**
Valproic acid 500mg gastro-resistant tablets **85**
Valsartan 160mg capsules **85**
Valsartan 40mg capsules **85**
Valsartan 80mg capsules **85**
Vapour-Permeable
 Adhesive Film Dressing **128**
 Waterproof Plastic Wound Dressing **129**
Vardenafil 10mg tablets **85**
Vardenafil 20mg tablets **85**
Vardenafil 5mg tablets **85**
Varex Short Stretch Bandage **101**
Vecche Bandage **97**
Velband Bandage **98, 102**
Velosef Capsules **34**
Venlafaxine 150mg modified-release capsules **85**
Venlafaxine 37.5mg tablets **85**
Venlafaxine 75mg modified-release capsules **86**
Venlafaxine 75mg tablets **86**
Venous Ulcer Compression Systems **168**
Ventricaire Mask **390—393**
Ventricaire Venturi Mask 28% **390—393**
Ventimask **390—393**
Verapamil 120mg modified-release capsules **86**
Verapamil 120mg modified-release tablets **86**
Verapamil 120mg tablets **86**
Verapamil 160mg tablets **86**
Verapamil 180mg modified-release capsules **86**
Verapamil 240mg modified-release capsules **86**
Verapamil 240mg modified-release tablets **86**
Verapamil 40mg tablets **86**
Verapamil 80mg tablets **86**
Versiva **135**
Versol **153**
Vetco UK Constriction Rings **167**
Vetex Pump System **167**
Vigabatrin 500mg oral powder sachets sugar free **86**
Vigabatrin 500mg tablets **86**
Vimule Cap **122**
Viscose & Nylon Stretch Bandage **100**
Viscose and Elastomer Knitted Bandage **96**
Viscose Dressing Sterile Knitted **126**
Viscose, Elastane and Cotton Compression Bandage **97**
Vitalograph **154**
Vitamin B compound strong tablets **86**
Vitamin B Tablets Compound Strong **498**
Vitamins A and D capsules **86**
Vitamins B and C high potency intramuscular injection 5ml + 2ml ampoules **86**
Vitamins B and C high potency intravenous injection 5ml + 5ml ampoules **86**
Vitamins capsules **86**
Vitrex Soft **151**
Voice Prosthesis Cleaning Brush **165**
Voiceline **165**
- W**
Warfarin 1mg tablets **86**
Warfarin 3mg tablets **86**
Warfarin 500microgram tablets **86**
Warfarin 5mg tablets **86**
Water for injection 100ml vials **86**
Water for injection 10ml ampoules **86**
Water for injection 1ml ampoules **86**
Water for injection 20ml ampoules **86**
Water for injection 2ml ampoules **86**
Water for injection 5ml ampoules **86**
Wet Protect Tracheostomy Protector **165**
White liniment **86**
White soft paraffin **86**
Wild cherry syrup **86**
Wool alcohols ointment **86**
Wool fat **86**
Wool Surgical, Felt **121**
Wound Dressing
 Elastic Adhesive **126**
Wound Dressings
 Plastic **129**
Wound Management Dressings **129—143**
 Activated Charcoal Dressing **129**
 Alginate Dressings **130**
 Capillary Action Absorbent Wound Dressing **131**
 Cavity **131**
 Conforming Foam Cavity Wound Dressing **132**
 Hydrocolloid Dressing **132**
 Hydrogel Dressing **136—137**
 Protease Modulating Matrix **141**
 Silicone **141, 142**
 Silver Coated **142**
 Silver Coated Barrier Dressings **142**
 Silver Impregnated **142**
 Soft Polymer Wound Contact Dressing **142**
 Impregnated with Silver **142**
 Soft Silicone **142**
 Soft Silicone Wound Contact Dressing **142**
- X**
Xipamide 20mg tablets **87**
Xylometazoline 0.05% nasal drops **87**
Xylometazoline 0.1% nasal drops **87**
Xylometazoline 0.1% nasal spray **87**
- Y**
Yellow soft paraffin **87**
- Z**
Zafirlukast 20mg tablets **87**
Zaleplon 10mg capsules **87**
Zaleplon 5mg capsules **87**
Zero Deduction **9—12**
Zerobase Cream **499**
Zinc
 And Castor Oil Ointment **500**
Zinc and Castor oil ointment **87**
Zinc and Salicylic acid paste **87**
Zinc compound paste **87**
Zinc Cream **500**
Zinc Ointment **500**
Zinc ointment **87**
Zinc Oxide
 And Dimeticone Spray **500**
 Elastic Adhesive Bandage **96**
 Impregnated Medicated Stocking **500**
Zinc oxide **87**
Zinc oxide 12.5% / Dimeticone 1.04% spray **87**

INDEX

Zinc Paste and Calamine bandage **500**
Zinc Paste and Ichthammol bandage, BP 1993
500
Zinc Paste bandage, BP 1993 **500**
Zinc Paste Bandages **102**
 And Coal Tar **102**
 And Ichthammol **102**
Zinc Paste, Calamine and Clioquinol bandage,
BP 1993 **500**
Zinc Sulphate
 Mouthwash **498**
Zinc sulphate **87**
Zinc sulphate 0.25% eye drops **87**
Zinc sulphate 1% lotion **87**
Zinc sulphate 1% mouthwash **87**
Zolmitriptan 2.5mg orodispersible tablets **87**
Zolmitriptan 2.5mg tablets **87**
Zolmitriptan 50mg/ml nasal spray 0.1ml unit dose
87
Zolmitriptan 5mg orodispersible tablets **87**
Zolpidem 10mg tablets **87**
Zolpidem 5mg tablets **87**
Zopiclone 3.75mg tablets **87**
Zopiclone 7.5mg tablets **87**
Zuclopenthixol 10mg tablets **87**
Zuclopenthixol 25mg tablets **87**
Zuclopenthixol 2mg tablets **87**
Zuclopenthixol acetate 50mg/ml injection 1ml
ampoules **87**
Zuclopenthixol acetate 50mg/ml injection 2ml
ampoules **87**
Zuclopenthixol decanoate 200mg/ml injection 1ml
ampoules **87**
Zuclopenthixol decanoate 500mg/ml injection 1ml
ampoules **87**

INDEX
